

Drawing No.
NP 428.1
Sheet 1 of 2

Related Drawing
P 667

Before using this drawing, confirm that it has not been superseded.

© CROWN COPYRIGHT

NOTES: 1. The legend is from the Transport Heavy alphabet at the x-height shown.

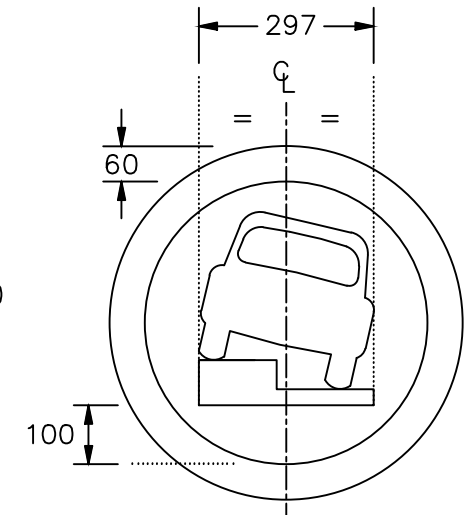
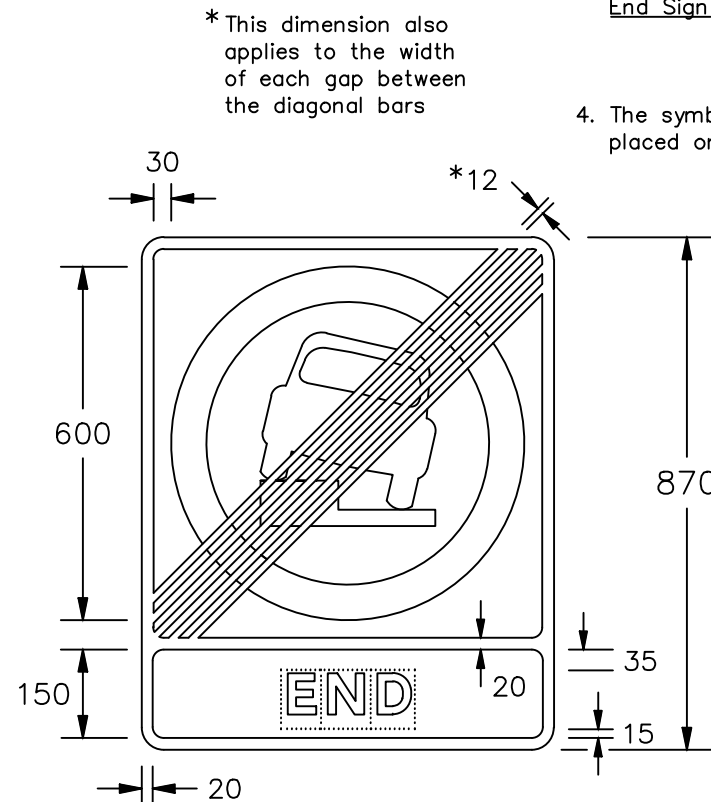
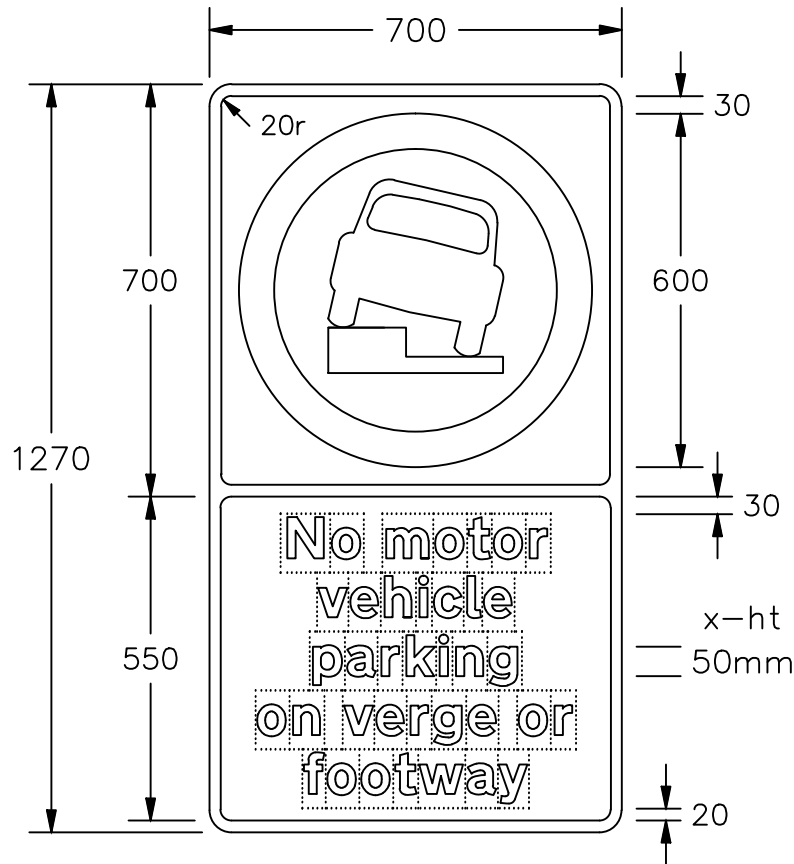
2. The tile outlines do not form part of the signs.

3. COLOURS : Backgrounds ----- WHITE

Start Sign Legend,
Border & Symbol ----- BLACK
Roundel ----- RED

End Sign Legend, Border &
Cancellation Bars ----- BLACK
Roundel & Symbol ----- GREY

4. The symbol shall be reversed when the signs are placed on the right hand side of the carriageway.



NP428x1-1

Department for
Transport

Title: Regulatory Signs
START AND END OF
FOOTWAY PARKING PROHIBITION

Issue: Date:
A: 16.6.05
B: 18.2.11
C:

Drawn by :
A.K.
Approved by :
J.B.

Dimensions :
MILLIMETRES

Drawing No.
NP 428.1
Sheet 1 of 2

Drawing No.
NP 428.1
 Sheet 2 of 2

Related Drawing
P 667

Before using this drawing, confirm that it has not been superseded.

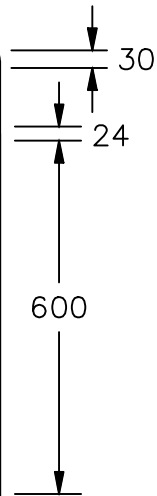
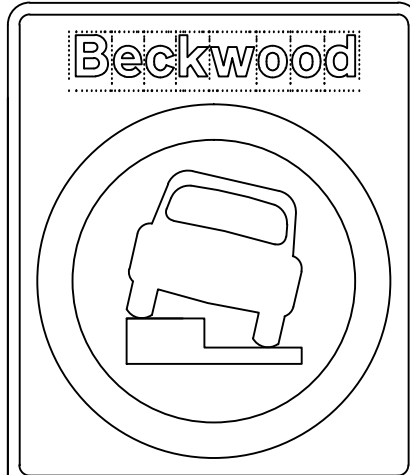
NOTES: 1. The legend is from the Transport Heavy alphabet. © CROWN COPYRIGHT

- 2. The tile outlines do not form part of the signs.
- 3. COLOURS : Backgrounds ----- WHITE

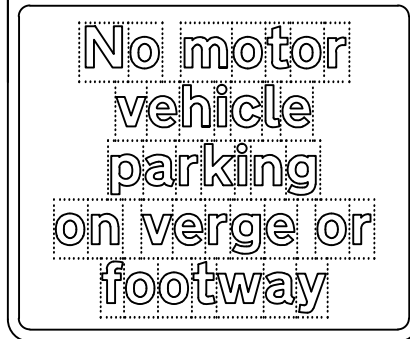
Start Sign Legend,
 Border & Symbol ---- BLACK
 Roundel ----- RED

- 4. The symbol shall be reversed when the signs are placed on the right hand side of the carriageway.

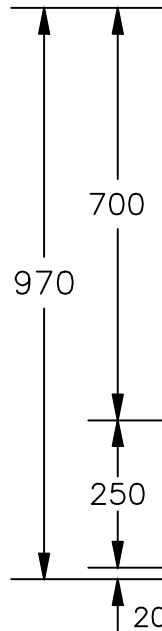
x-ht
 50mm



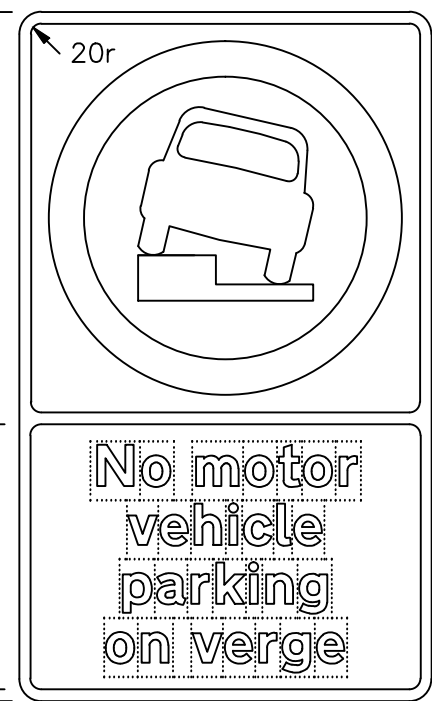
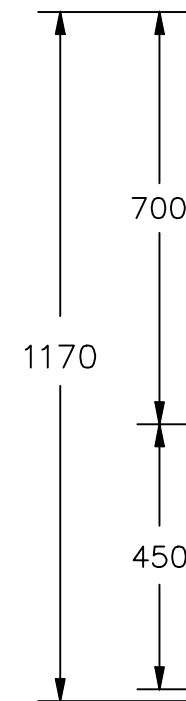
x-ht
 50mm



VARIANT SHOWING
PLACE NAME



x-ht
 50mm



x-ht
 50mm

NP428x1-2

**Department for
 Transport**

Title: Regulatory Signs
**START AND END OF
 FOOTWAY PARKING PROHIBITION**

Issue: Date:
 A: 16.6.05
 B: 18.2.11
 C:

Drawn by :
 A.K.
 Approved by :
 J.B.

Dimensions :
 MILLIMETRES

Drawing No.
NP 428.1
 Sheet 2 of 2