

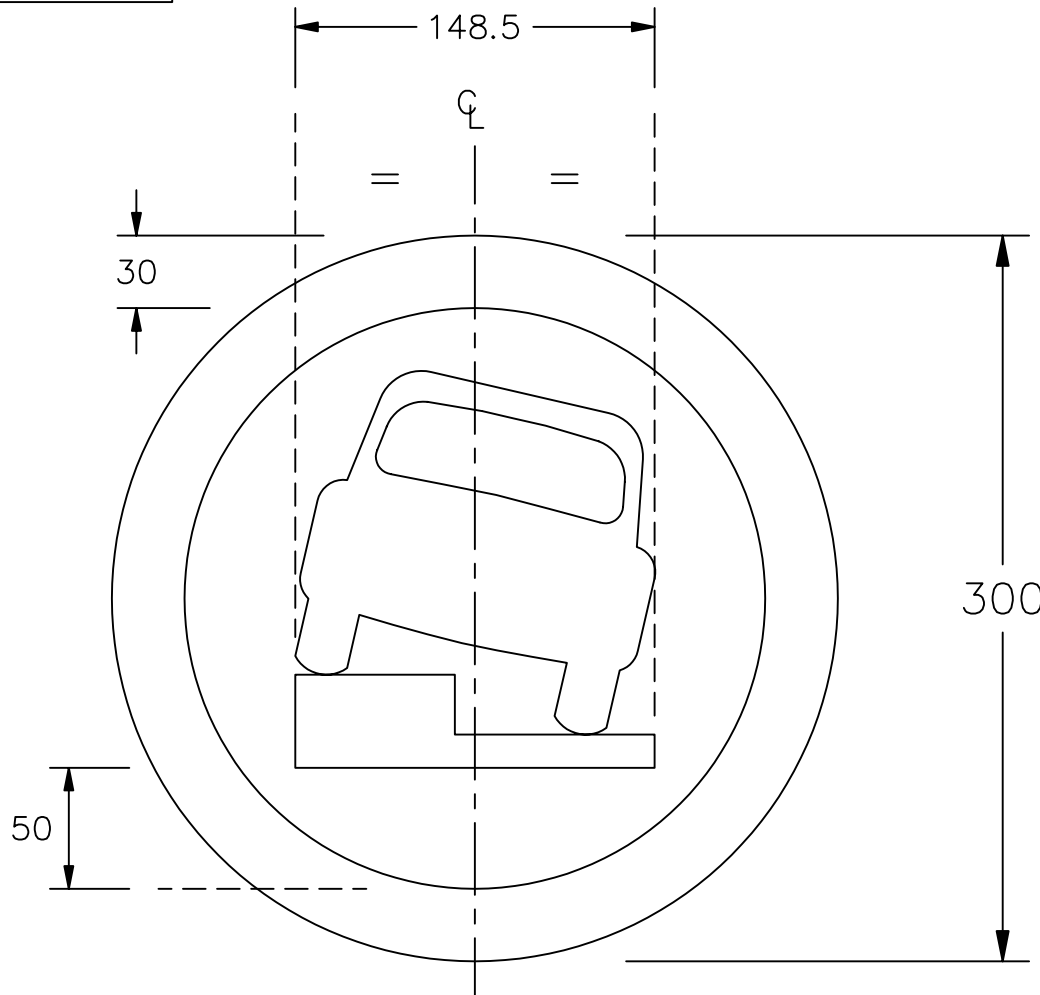
Drawing No.
NP 428.2

Related Drawing
P 667

© CROWN COPYRIGHT

NOTES: 1. COLOURS : Background --- WHITE
Symbol ----- BLACK
Border ----- RED

2. The symbol shall be reversed when the signs are placed on the right hand side of the carriageway.



Symbol dimensions
shown on dwg P 667
1sw = 11mm

NP428x2

Before using this drawing, confirm
that it has not been superseded.

**Department for
Transport**

Title: Regulatory Sign
FOOTWAY PARKING PROHIBITION
REPEATER SIGN

Issue: Date: Drawn by:
A: 5.7.05 R.M.
B:
C:

Approved by:
R.M.

Dimensions:
MILLIMETRES

Drawing No.
NP 428.2