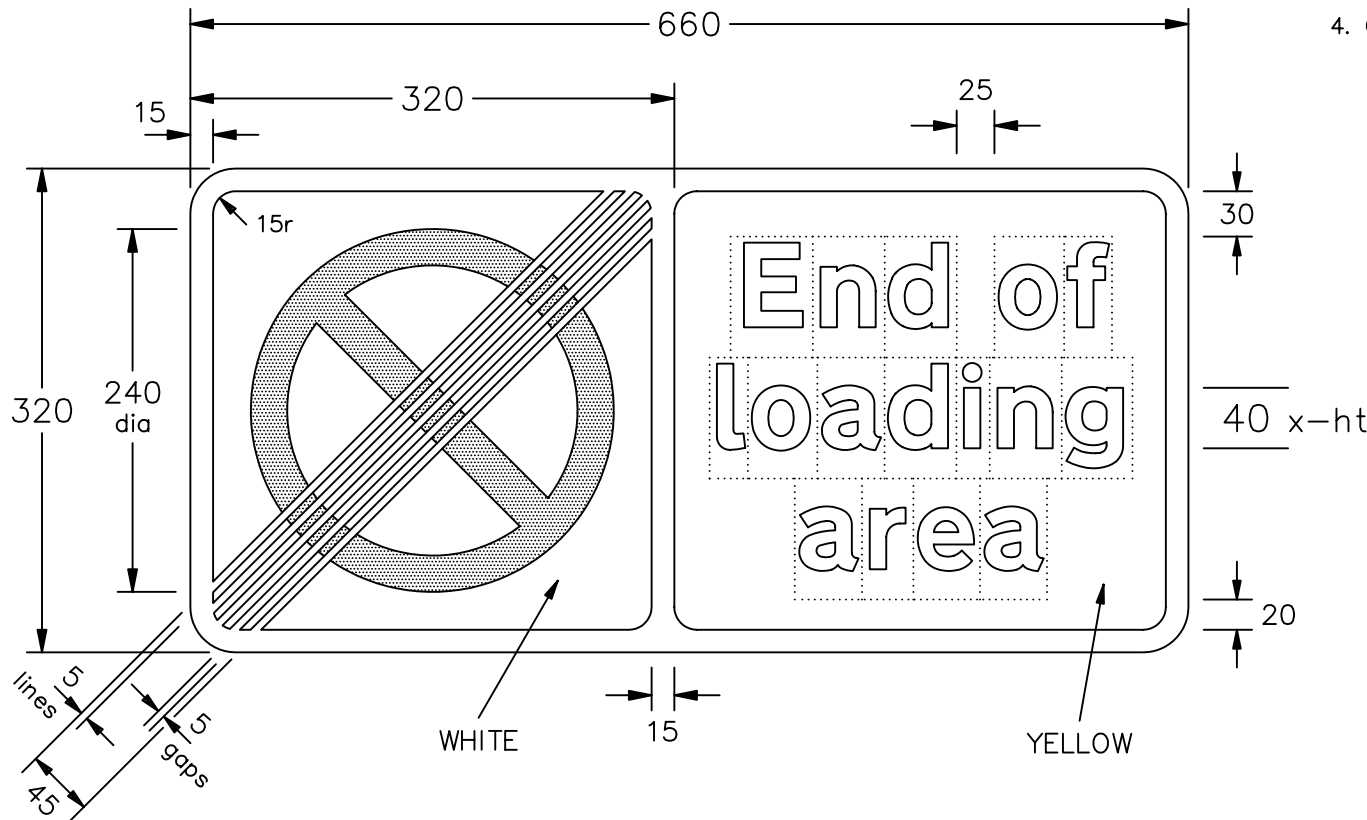


Drawing No.  
P 640.5

Related Drawing  
P 636

© CROWN COPYRIGHT

- NOTES: 1. The legend is from the Transport Heavy alphabet at the x-height shown.
2. The roundel is proportional to the one shown on drawing P 636.
3. The tile outlines do not form part of the sign.
4. COLOURS : Legend background ----- YELLOW  
 Legend, Borders & Diagonal bars ----- BLACK  
 Roundel symbol ----- GREY  
 Roundel background ---- WHITE



P640x5

Before using this drawing, confirm that it has not been superseded.

Department for  
**Transport**

Title: Regulatory Sign  
END OF LOADING AREA

Issue: Date: Drawn by:  
A: 21.7.94 S.P.  
B: 27.8.04 Approved by:  
C: R.M.

Dimensions:  
MILLIMETRES

Drawing No.  
P 640.5