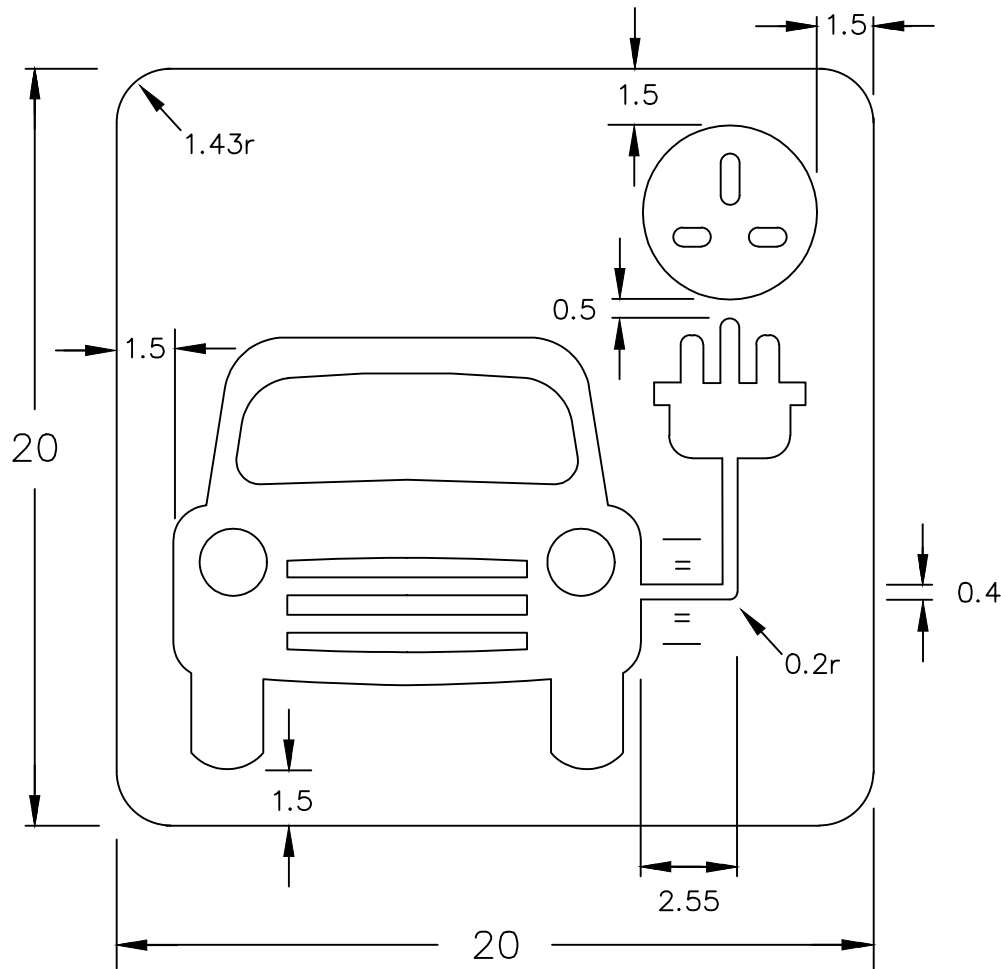


Drawing No.
S 65
Sheet 1 of 2

Related drawing
S 19

Before using this drawing, confirm
that it has not been superseded.

© CROWN COPYRIGHT



- NOTES:
1. See sheet 2 for details of the plug and socket.
 2. DIMENSIONS : x-heights are in millimetres, other dimensions are in stroke widths. (4sw = x-height)
 3. COLOURS :-
Background ----- BLACK
Car, socket and plug ----- WHITE
 4. Car symbol details are given in drawing S19. The car symbol when used in this drawing is sized at 11.4 sw by 12.35 sw.
 5. When used on signing for services, the black background is omitted.



x-ht
100 min
200 max

S65-1

Department for
Transport

Title: Symbol
ELECTRIC VEHICLE CHARGING
POINT SYMBOL

Issue: Date:
A: 11.11.11
B:
C:

Drawn by :
A.K.
Approved by:
J.B.

Dimensions :
SEE
NOTE 2

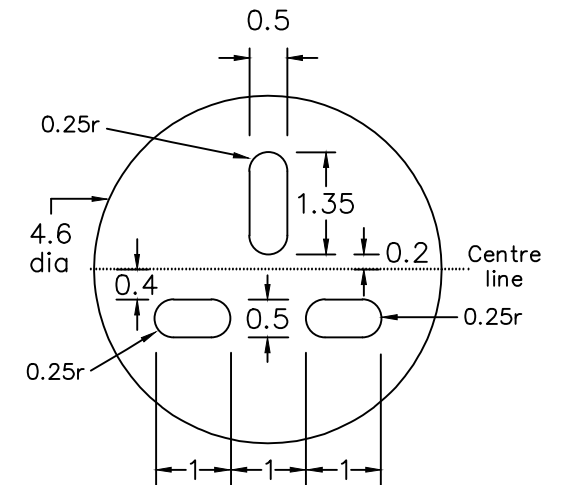
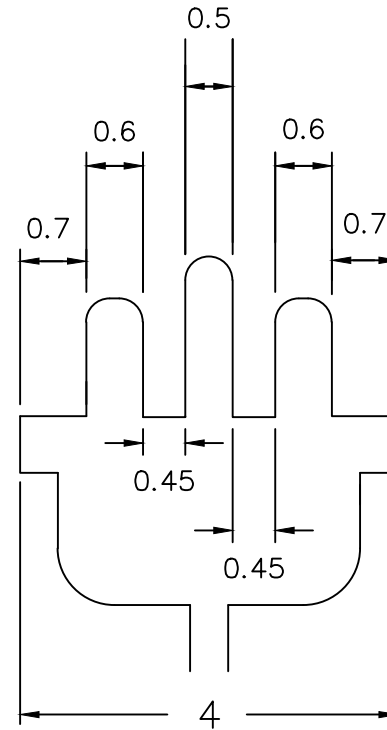
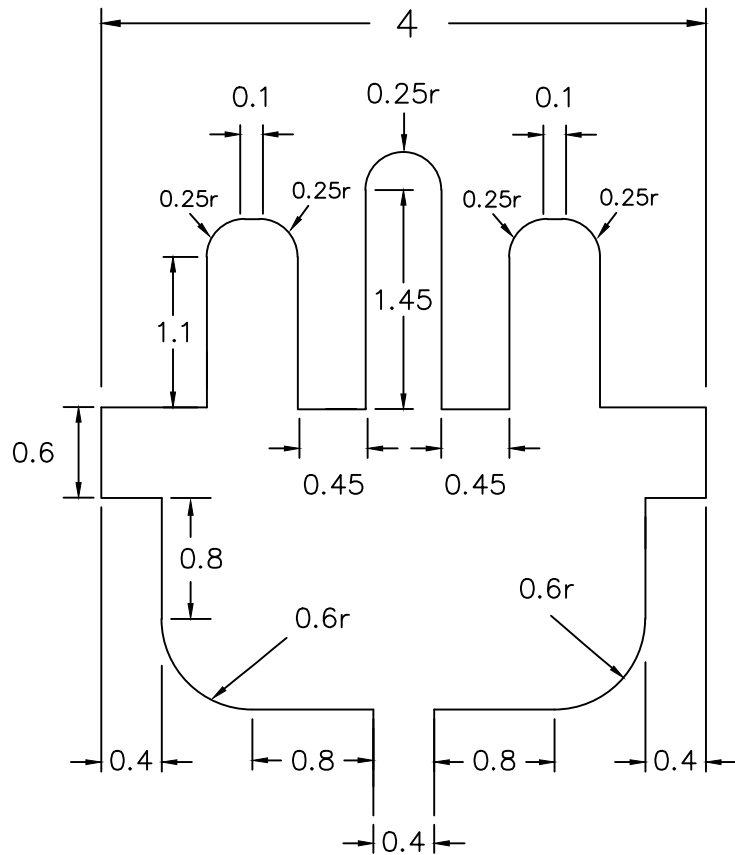
Drawing No.
S 65
Sheet 1 of 2

Drawing No.
S 65
 Sheet 2 of 2

© CROWN COPYRIGHT

NOTES: 1. DIMENSIONS : x-heights are in millimetres,
 other dimensions are in stroke widths.
 (4sw = x-height)

2. COLOURS :-
 Socket and plug ----- WHITE



S65-2

Before using this drawing, confirm
 that it has not been superseded.

Department for Transport	Title:	Symbol	Issue:	Date:	Drawn by :	Dimensions :	Drawing No.
	ELECTRIC VEHICLE CHARGING POINT SYMBOL	A.K.	A:	11.11.11	Approved by:	SEE NOTE 2	S 65 Sheet 2 of 2
			C:		J.B.		