

- NOTES:
1. The grid does not form part of any sign to which the symbol is applied.
 2. Dimensions are given in grid divisions.
 3. COLOURS : Symbol --- WHITE
Tile ----- BLUE
 4. The symbol shall not be reversed.
 5. See sheet 2 for disabled persons symbol used on informatory signs.

S45-1

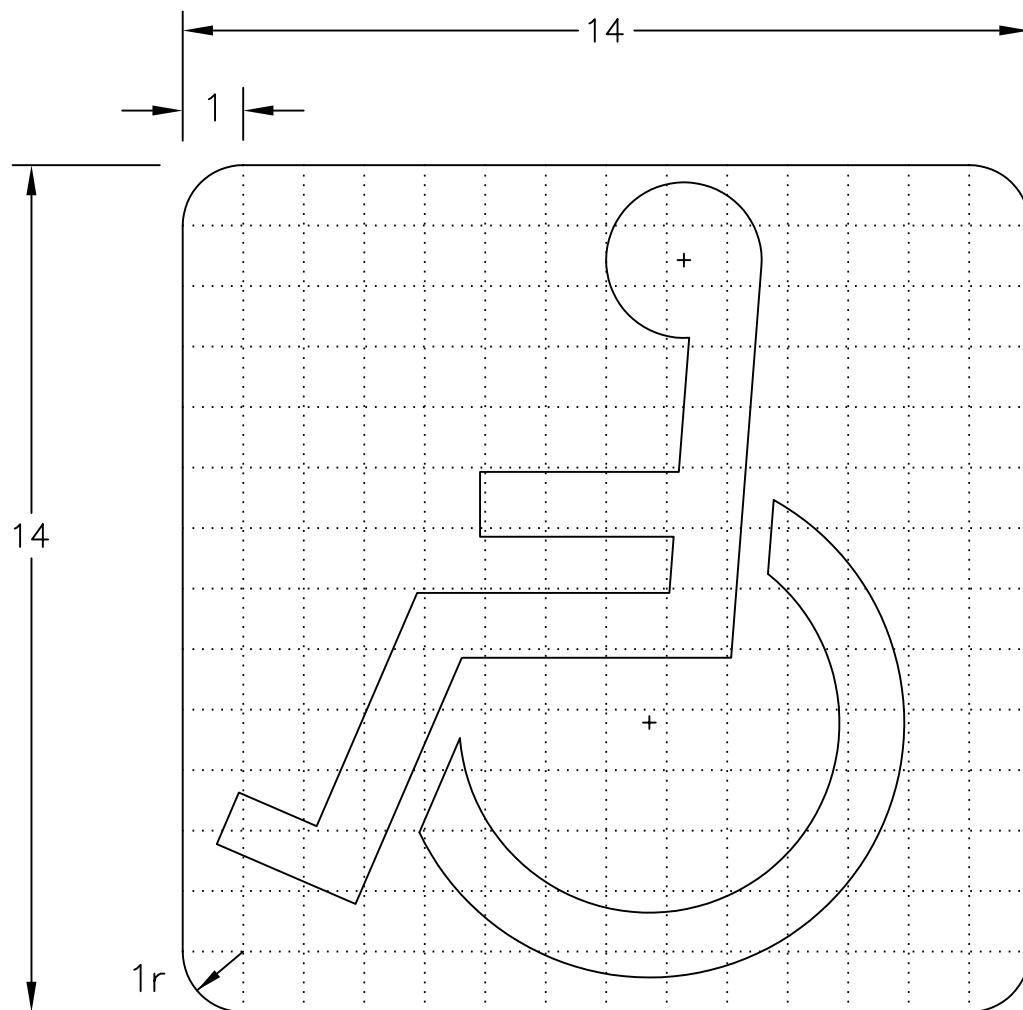
Before using this drawing, confirm that it has not been superseded.

<p><i>Department for</i> Transport</p>	Title:	Symbol	Issue:	Date:	Drawn by:	Dimensions:	Drawing No.
	<p>DISABLED BADGE HOLDER (for use on regulatory signs)</p>		A:	17.2.94	S.P.	ALL IN GRID DIVISIONS	S 45 sheet 1 of 2
			B:	13.11.02	Approved by:		
			C:		R.M.		

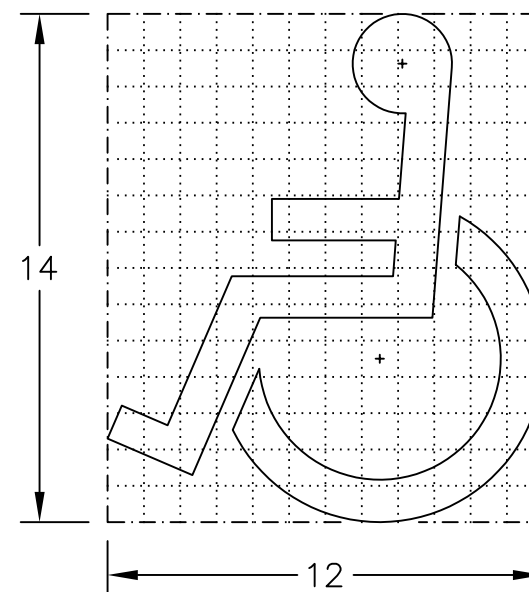
Drawing No.
S 45 sheet
2 of 2

Before using this drawing, confirm
that it has not been superseded.

© CROWN COPYRIGHT



- NOTES:
1. The grids do not form part of any sign to which the symbols are applied.
 2. Dimensions are given in grid divisions, (normally equal to 1/4 x-height)
 3. COLOURS : Symbol --- WHITE
Tile ----- BLACK
 4. The tile is omitted when the white symbol is placed on a dark background, in which case the 14 x 12 grid is used.
 5. The symbol may be reversed when used on directional signs.



Variant
see Note 4

S45-2

Department for
Transport

Title: Symbol
DISABLED PERSONS
(for use on informative signs)

Issue: Date:
A: 17.2.94
B: 13.11.02
C:

Drawn by:
S.P.
Approved by:
R.M.

Dimensions:
ALL IN
GRID DIVISIONS

Drawing No.
S 45 sheet
2 of 2