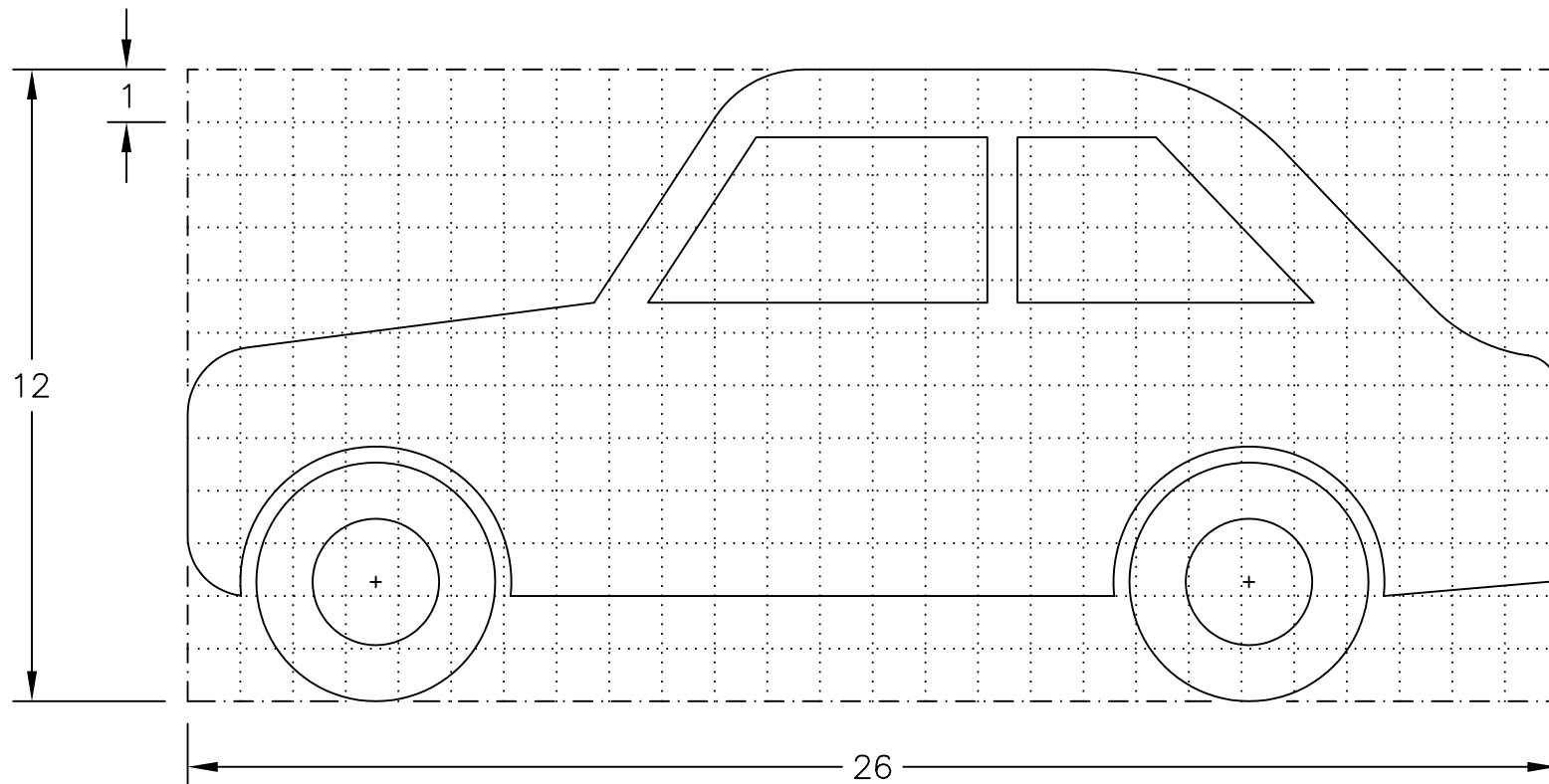


Drawing No.  
S 16

Before using this drawing, confirm  
that it has not been superseded.

© CROWN COPYRIGHT

- NOTES:
1. The grid does not form part of any sign to which the symbol is applied.
  2. Dimensions are given in grid divisions.
  3. The symbol may be reversed when used on directional signs.



S16

Department for  
**Transport**

Title:

Symbol  
CAR (side view)

Issue: Date:  
A: 17.2.94  
B: 12.11.02  
C:

Drawn by:  
S.P.  
Approved by:  
R.M.

Dimensions:  
ALL IN  
GRID DIVISIONS

Drawing No.

S 16