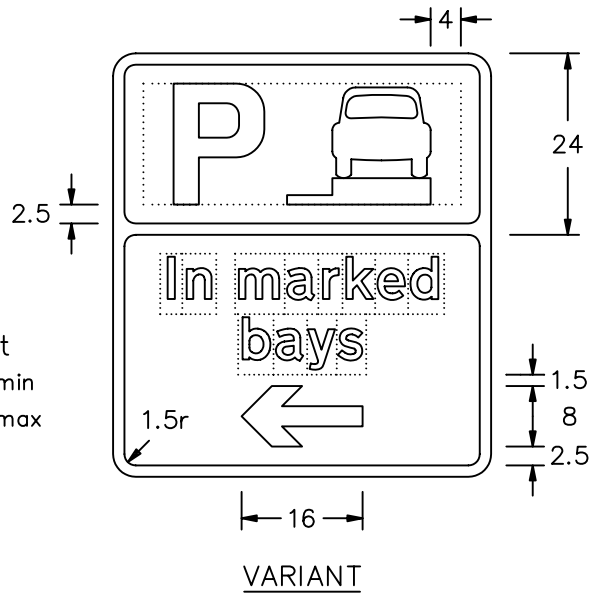
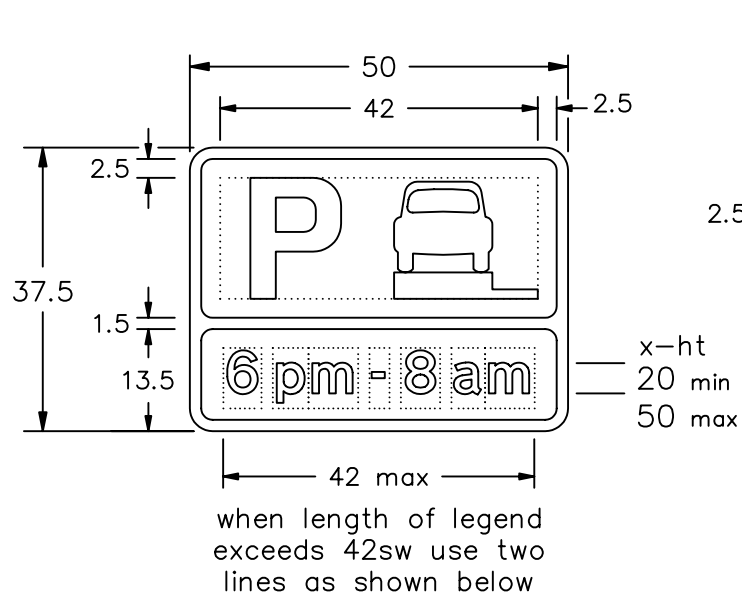


Drawing No.
P 668.1

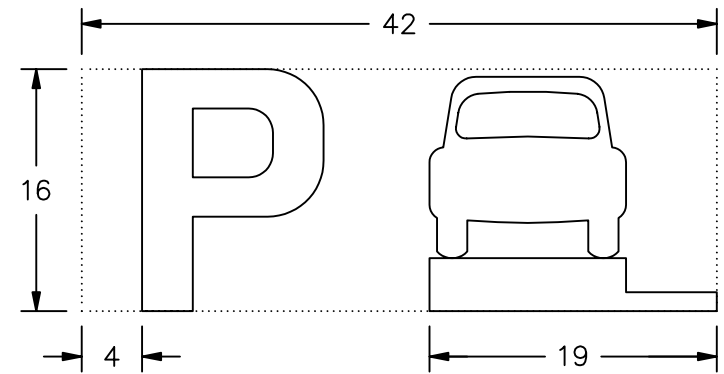
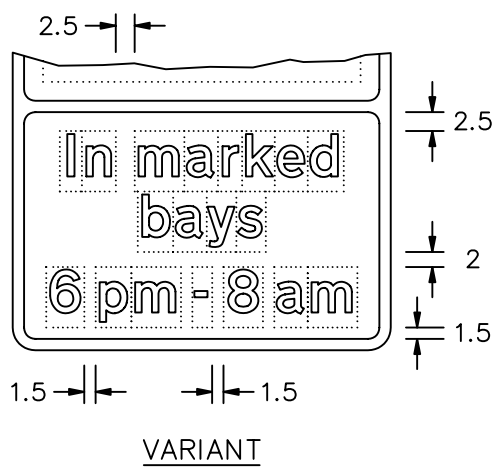
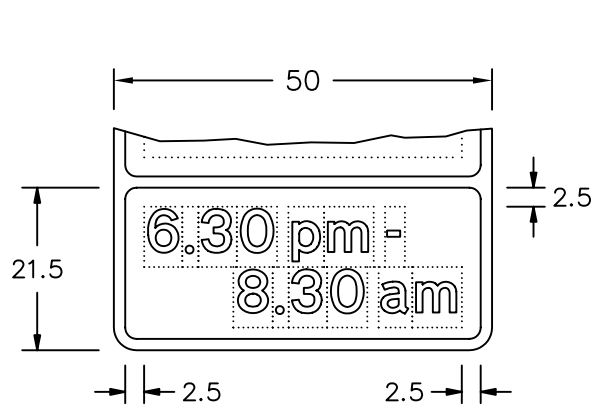
Related Drawings
S 19, S 43 & P 668

Before using this drawing, confirm that it has not been superseded.

© CROWN COPYRIGHT



- NOTES: 1. The legend is from the Transport Medium alphabet at the x-heights shown.
2. Car symbol details are given on drawing S 19 and 'P' symbol details on drawing S 43. See drawing P 668 for 'car on footway' details.
3. The tile outlines do not form part of the signs.
4. COLOURS : Background ----- BLUE
Legend & Border ---- WHITE
Symbols & Arrow --- WHITE
5. DIMENSIONS : x-heights are in millimetres, other dimensions are in stroke widths. (4sw = x-ht)
6. See section 12 in Chapter 7 of the Traffic Signs Manual for further details of time plate design.



The 'car on footway' symbol is moved 4sw to the left when reversed in a mirror image (see variant above left)

P668x1

	Title:	Regulatory Signs	Issue:	Date:	Drawn by:	Dimensions:	Drawing No.
		PARKING PLACE WHOLLY ON VERGE OR FOOTWAY	A:	4.7.94	S.P.	SEE NOTE 5	P 668.1
			B:	16.8.04	Approved by:		
			C:		R.M.		