

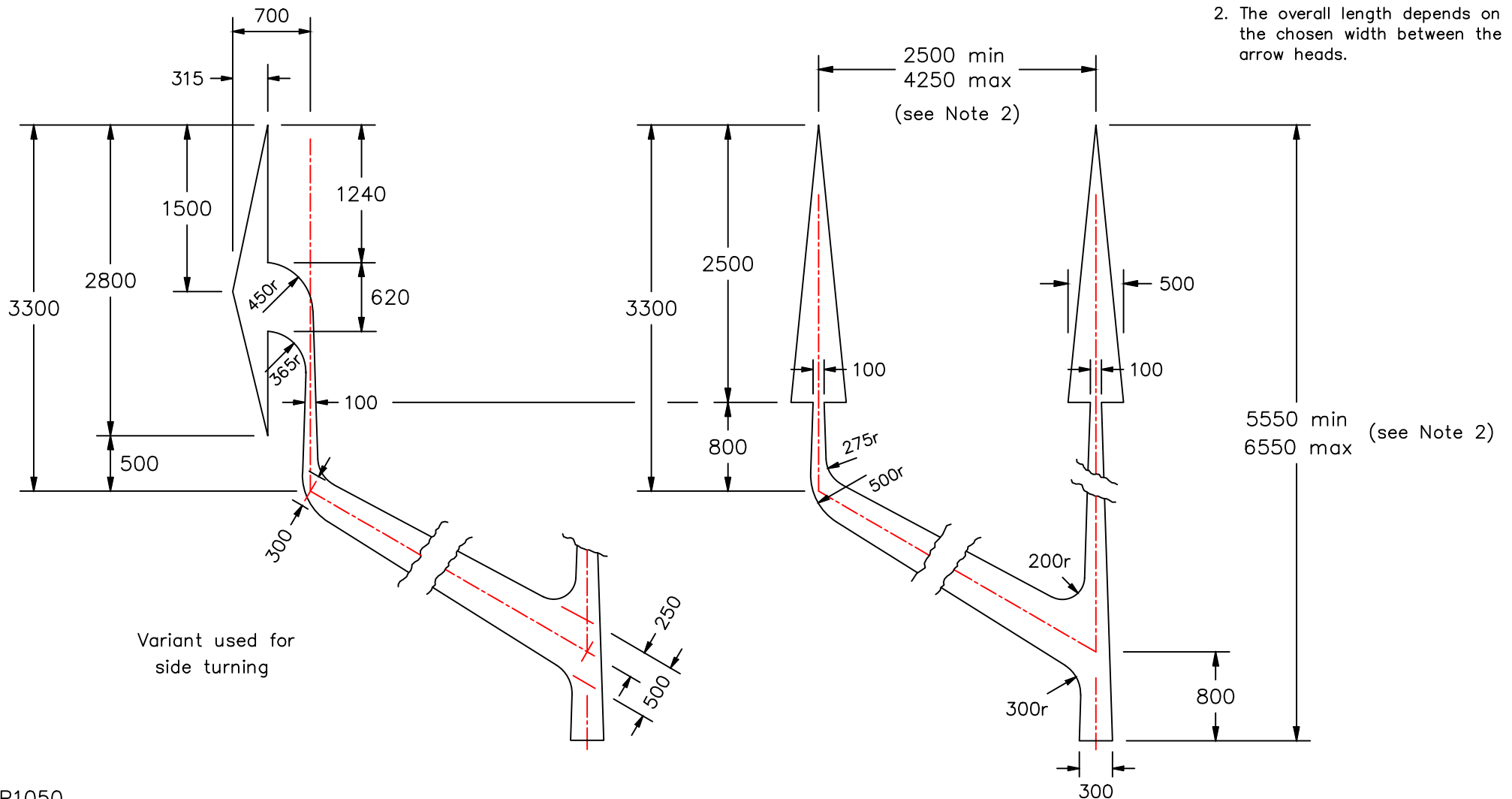
Drawing No.  
P 1050

Before using this drawing, confirm that it has not been superseded.

© CROWN COPYRIGHT

NOTES: 1. COLOUR : Arrows --- WHITE

2. The overall length depends on the chosen width between the arrow heads.



P1050

Department for  
**Transport**

Title: Road Markings  
DOUBLE ARROW AT END OF  
or AT A BREAK IN BUS LANE

Issue: Date:  
A: 30.6.94  
B: 18.2.05  
C: 11.11.11

Drawn by: S.P.  
Approved by: R.M.

Dimensions: MILLIMETRES

Drawing No.  
P 1050