

NOTES: 1. The marking shown in figure A shall be used for mini roundabouts with circular centre islands that have a diameter of 1000mm minimum and 2400mm maximum.

2. COLOUR : Marking --- WHITE

3. Examples of suggested radii for A, B and C are shown in the table. These vary proportionally with the overall circle diameter that the arrows lie on. The diameter of the centre island does not vary proportionally with the overall circle diameter.

4. See sheet 2 for figure B that shows the marking with larger arrows.

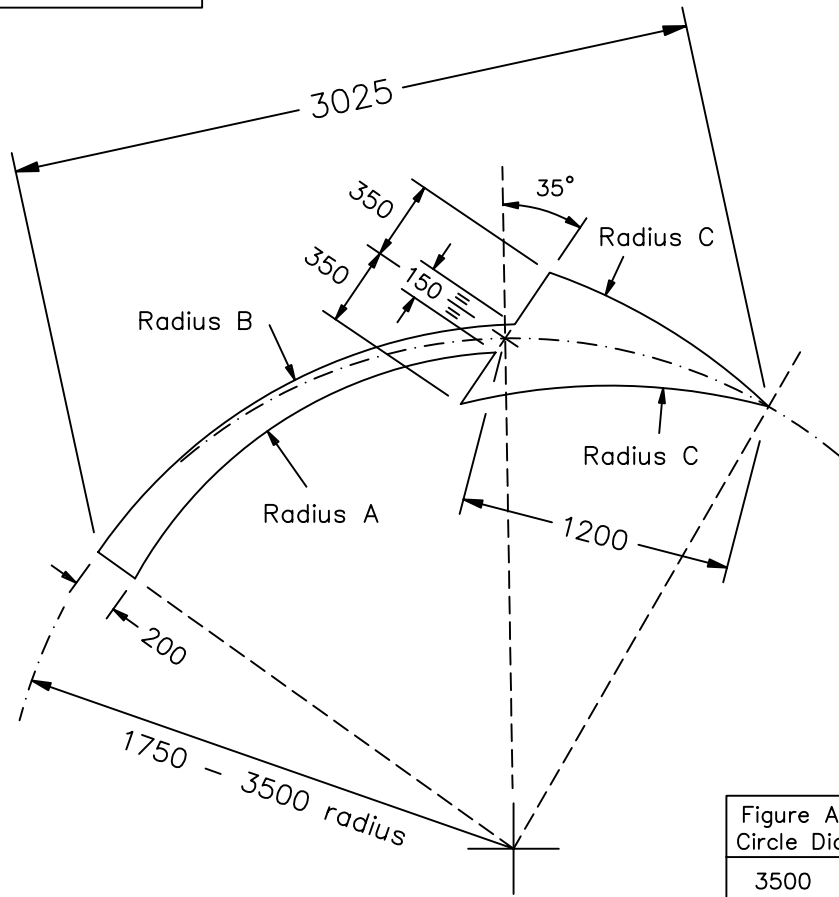
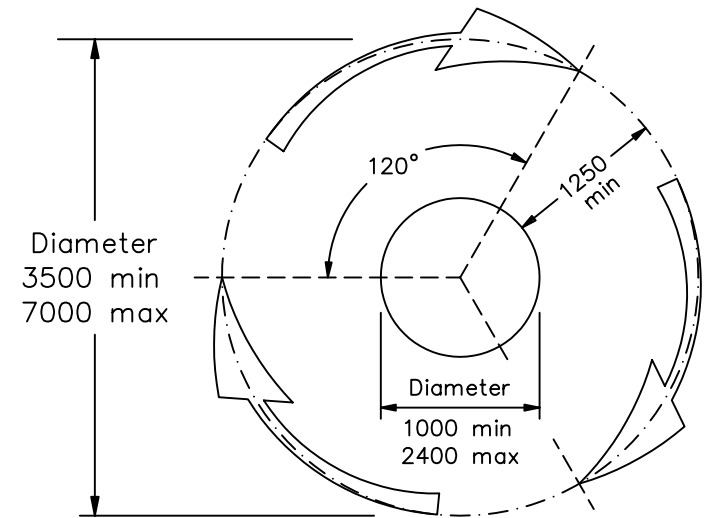


FIGURE A

Figure A Circle Dia	Suggested Radii		
	A	B	C
3500	1500	1800	2100
4000	1720	2050	2400
4500	1930	2310	2700
5000	2150	2570	3000
6000	2570	3090	3600
7000	3000	3600	4200



- NOTES: 1. The marking shown in figure B shall be used for mini roundabouts with circular centre islands that have a diameter of 2500mm minimum and 4000mm maximum.
2. COLOUR : Marking --- WHITE
3. Examples of suggested radii for D, E and F are shown in the table. These vary proportionally with the overall circle diameter that the arrows lie on. The diameter of the centre island does not vary proportionally with the overall circle diameter.
4. See sheet 1 for figure A that shows the marking with smaller arrows.

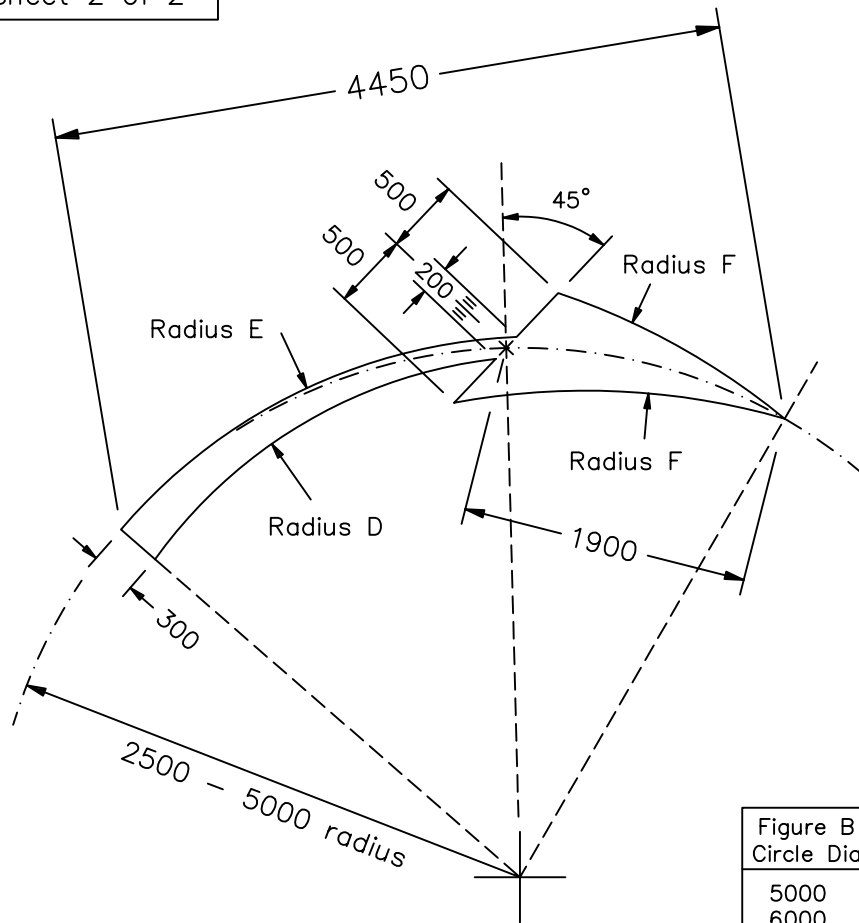
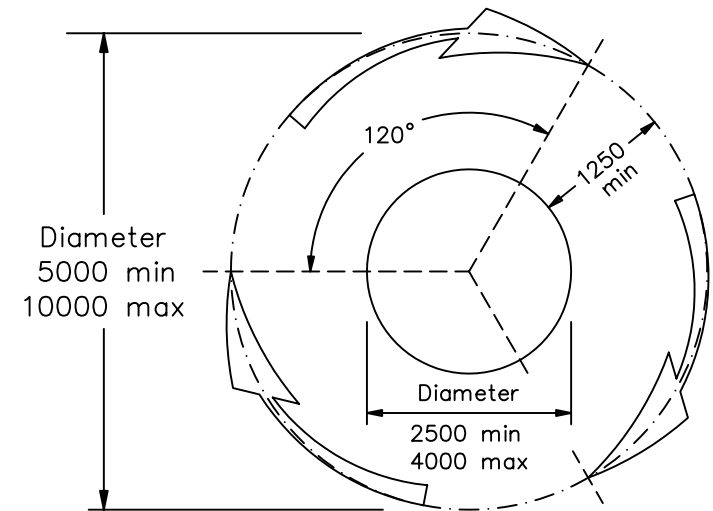


FIGURE B

Figure B Circle Dia	Suggested Radii		
	D	E	F
5000	2300	2600	3400
6000	2760	3120	4080
7000	3220	3640	4760
8000	3680	4160	5440
9000	4140	4680	6120
10000	4600	5200	6800



P1003x4-2

Before using this drawing, confirm that it has not been superseded.