

Drawing No.
P 2931

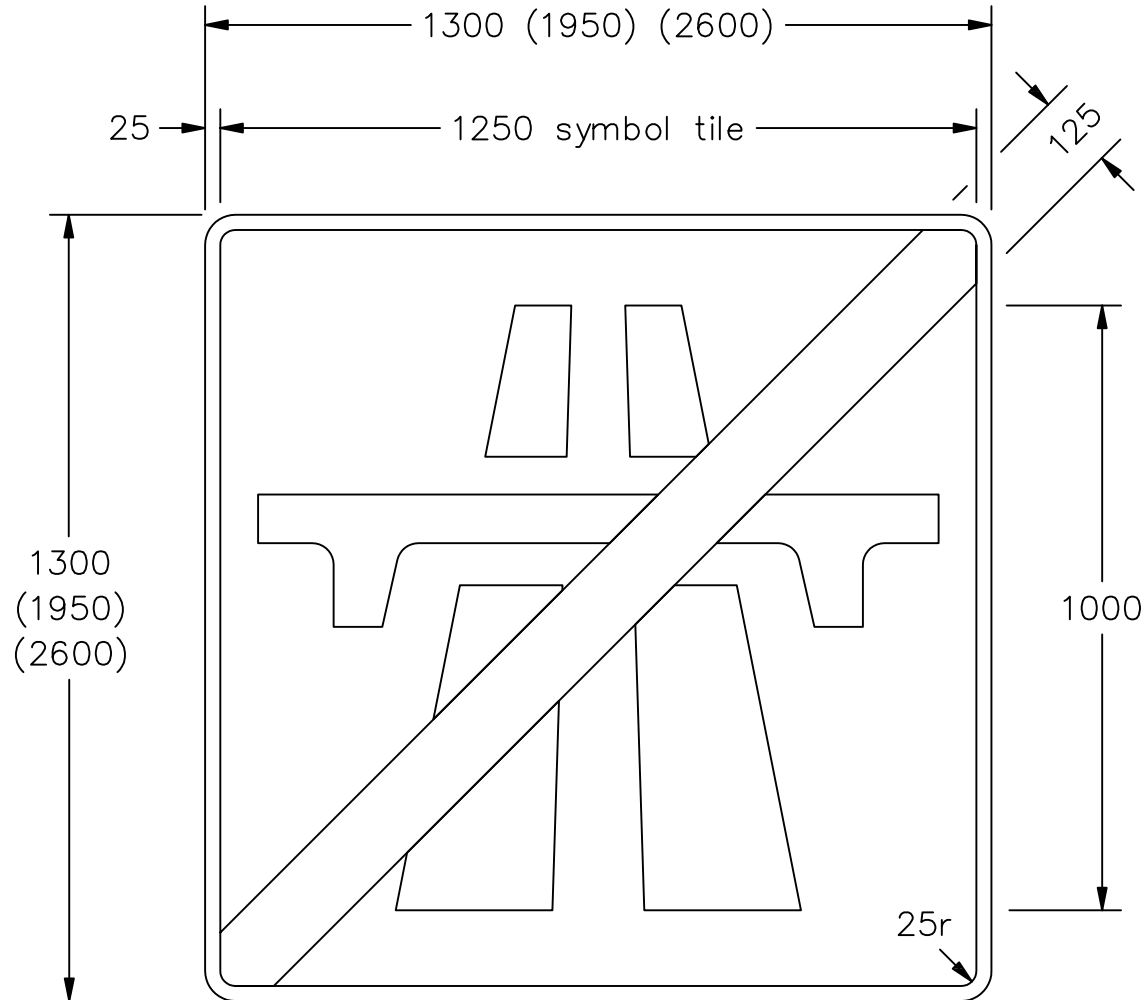
Related Drawing
S 55

© CROWN COPYRIGHT

NOTES: 1. Symbol details are given on drawing S 55.

2. COLOURS : Background ----- BLUE
Symbol & Border ---- WHITE
Cancellation bar ---- RED

3. Dimensions for the larger sign sizes are proportional to those shown for the smallest size.



P2931

Before using this drawing, confirm that it has not been superseded.

**Department for
Transport**

Title: Motorway Regulatory Sign
END OF MOTORWAY

Issue: Date: Drawn by:
A: 6.7.94 S.P.
B: 13.9.04 Approved by:
C: R.M.

Dimensions:
MILLIMETRES

Drawing No.
P 2931