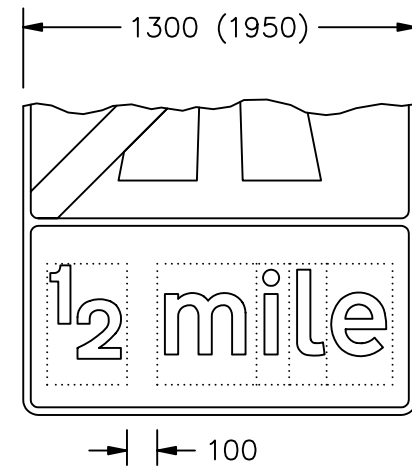
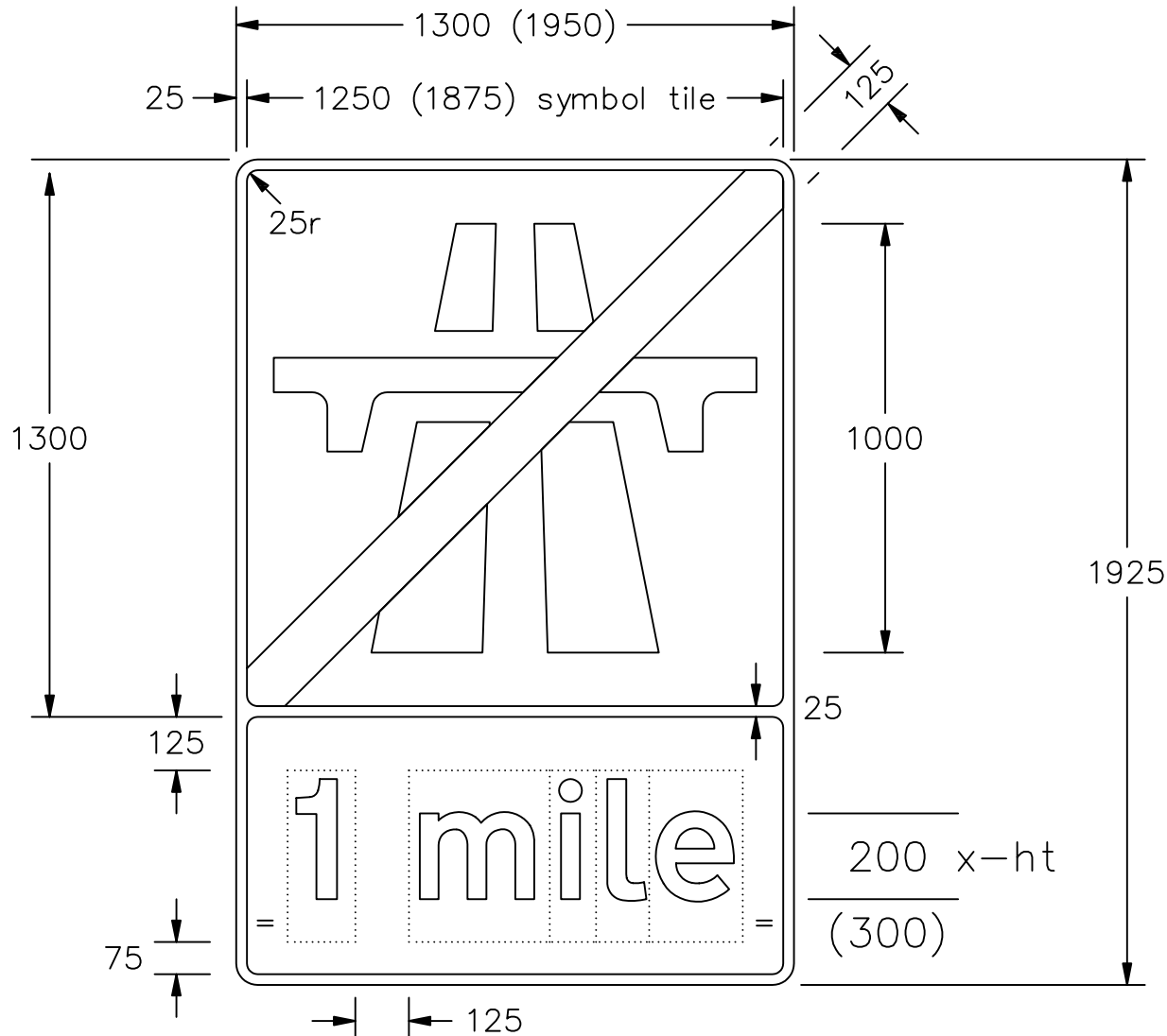


Drawing No.
P 2930

Related Drawing
S 55

© CROWN COPYRIGHT

- NOTES: 1. The legend is from the Transport Medium alphabet at the x-heights shown.
2. Symbol details are given on drawing S 55.
3. The tile outlines do not form part of the sign.
4. COLOURS : Background ----- BLUE
Legend, Symbol & Border ----- WHITE
Cancellation bar ----- RED
5. Dimensions for the 300mm x-height sign are proportional to those shown for the 200mm x-height sign.



VARIANT

Before using this drawing, confirm that it has not been superseded.

P2930

Department for
Transport

Title: Motorway Regulatory Sign
DISTANCE TO END OF MOTORWAY

Issue: Date: Drawn by: Dimensions: Drawing No.
A: 6.7.94 S.P.
B: 14.9.04 Approved by: MILLIMETRES P 2930
C: R.M.