

Drawing No.
P 959.1

Related Drawing
S 24

© CROWN COPYRIGHT

- NOTES: 1. Symbol details are given on drawing S 24. The symbol must always face left.
2. The tile outline does not form part of the sign.
3. COLOURS : Background ----- BLUE
Symbol & Border --- WHITE
4. DIMENSIONS : All in stroke widths (1sw = ¼ of notional x-height). The table of sign sizes shows the actual sign sizes in millimetres.
5. A time plate may be added in the same colours (see drawing P 961).

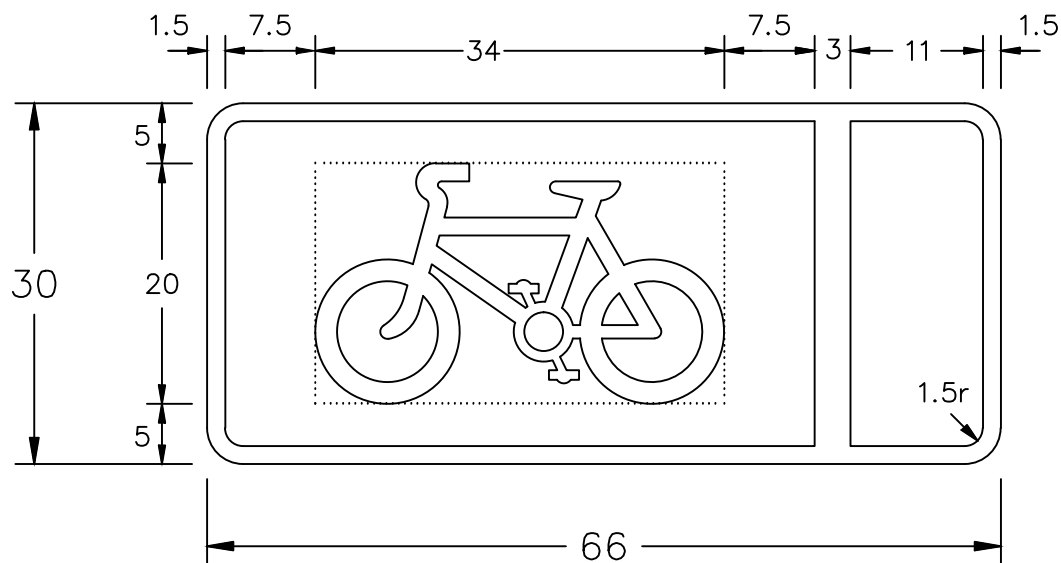


TABLE OF SIGN SIZES (mm)		
One stroke width	12.5	15
Width of sign	825	990
Height of sign	375	450

P959x1

Before using this drawing, confirm that it has not been superseded.

	<p>Title: Regulatory Sign</p> <p>WITH-FLOW CYCLE LANE</p>	Issue: A: 16.8.94	Date: S.P.	Drawn by:	Dimensions: SEE NOTE 4	<p>Drawing No.</p> <p>P 959.1</p>
		B: 9.8.04	Approved by:			
		C: 24.9.12	R.M.			