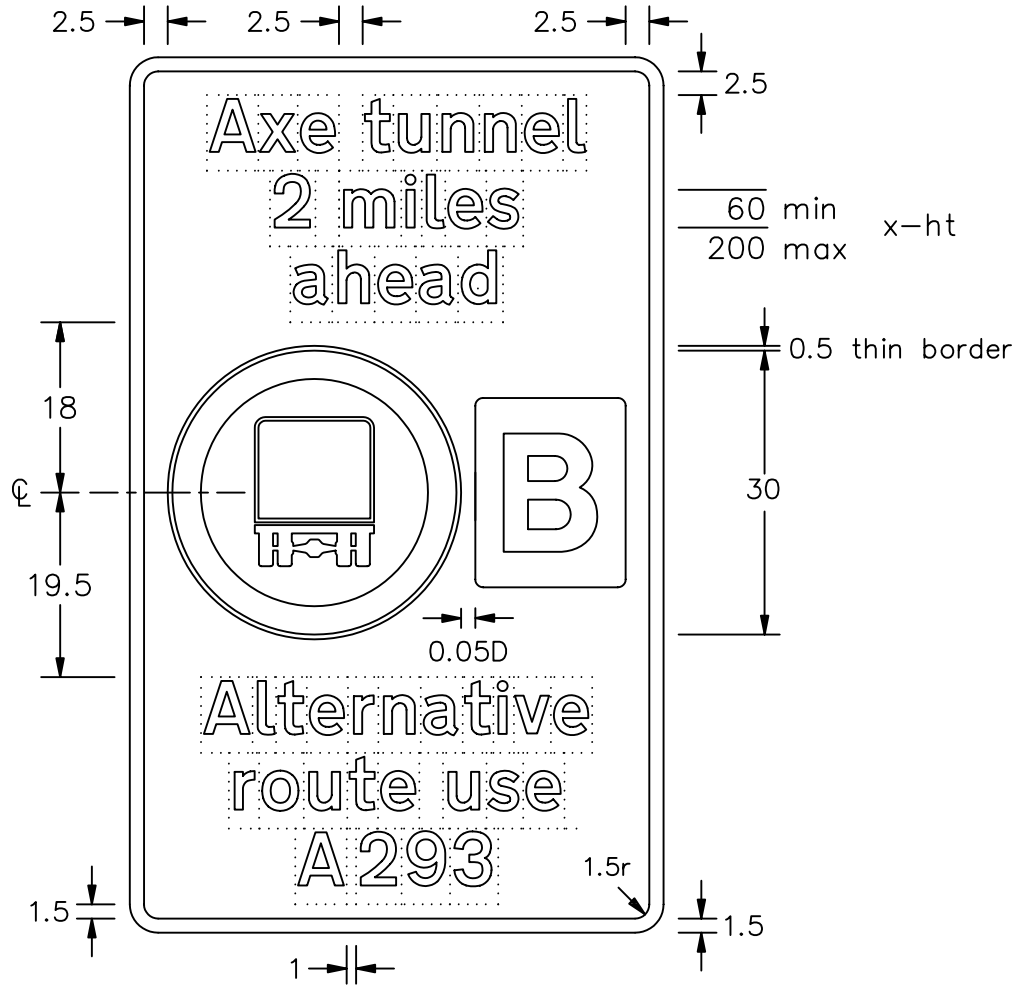


Drawing No.  
NP 818.4A

Related Drawing  
NP 622.10

© CROWN COPYRIGHT

- NOTES: 1. The legend is from the Transport Medium alphabet at the x-heights shown.
2. The roundel illustrated is proportional to the one shown on drawing NP 622.10, where D is diameter.
3. The patch is formed by removing the black border from the plate shown on drawing NP 622.11.
4. The tile outlines do not form part of the sign.
5. COLOURS : Legend & Border ----- WHITE  
Background ----- BLUE  
Thin border to roundel ---- WHITE  
Roundel ----- see NP 622.10
6. DIMENSIONS : x-heights are in millimetres, other dimensions are in stroke widths. (4sw = x-height)
7. See Chapter 7 of the Traffic Signs Manual for further design details in relation to place names and route numbers.



NP 818X4A

Before using this drawing, confirm that it has not been superseded.

Department for  
**Transport**

Title: Informatory sign  
DANGEROUS GOODS PROHIBITED

Issue: Date: A:11/09/09  
C:  
D:

Drawn by: L.W.  
Approved by: J.B.

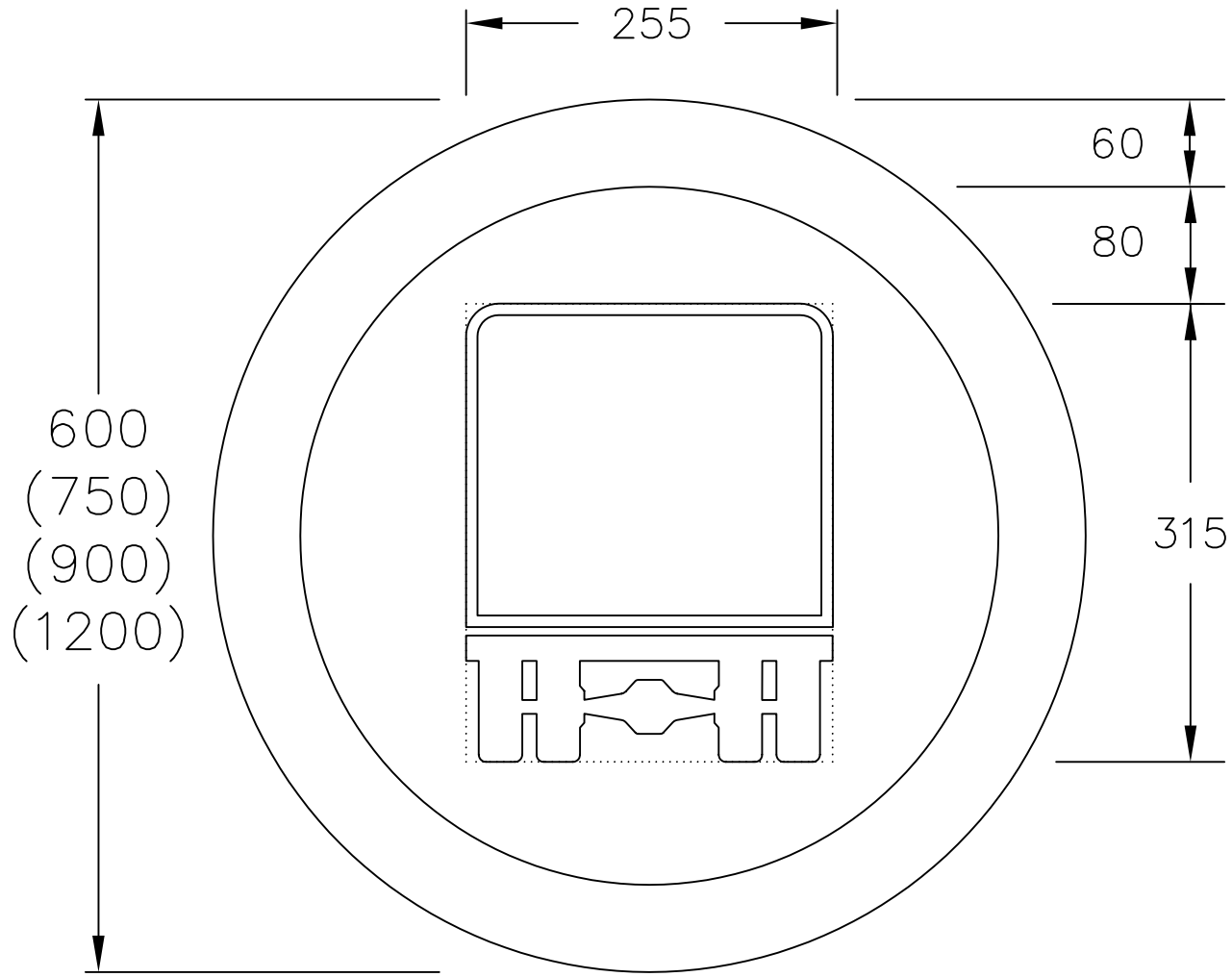
Dimensions: MILLIMETRES

Drawing No. NP 818.4A

Drawing No.  
NP 622.10

Related Drawing  
NS 74

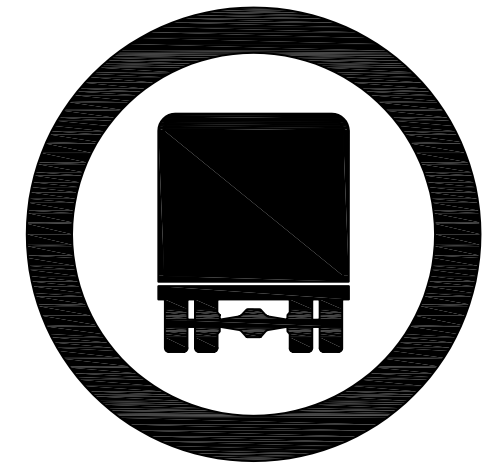
© CROWN COPYRIGHT



NOTES: 1. Symbol details are given on drawing NS 74.  
The tile outline does not form part of the sign.

2. COLOURS:—  
 Background ----- WHITE  
 Roundel ----- RED  
 Lorry body----- ORANGE  
 Lorry chassis ----- BLACK

3. All dimensions for the 600mm sign shall be varied proportionally for the other sign sizes.



NP 622x10

Before using this drawing, confirm that it has not been superseded.

**Department for  
Transport**

Title: Regulatory Sign  
VEHICLES CARRYING  
DANGEROUS GOODS PROHIBITED

Issue: Date :  
A:11/09/09  
C:  
D:

Drawn by :  
L.W.  
Approved by :  
J.B.

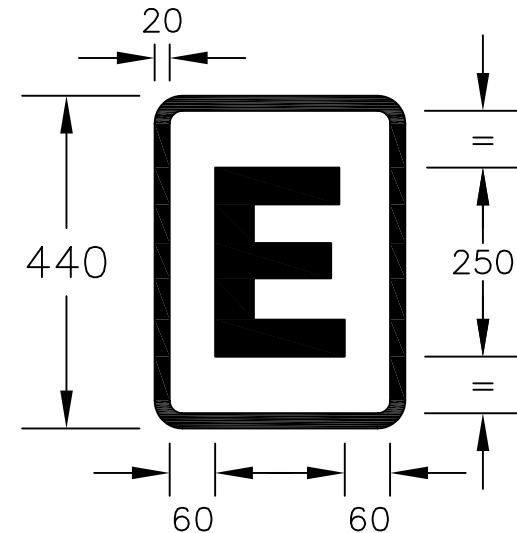
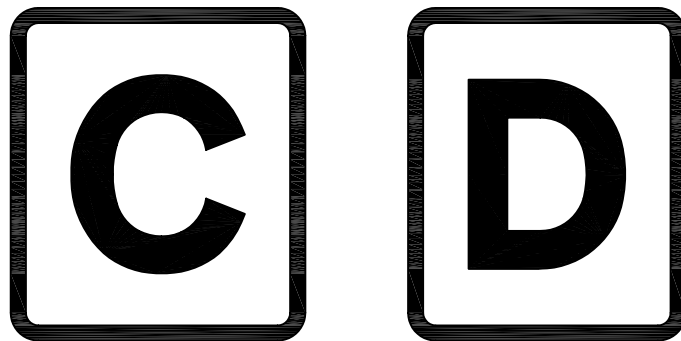
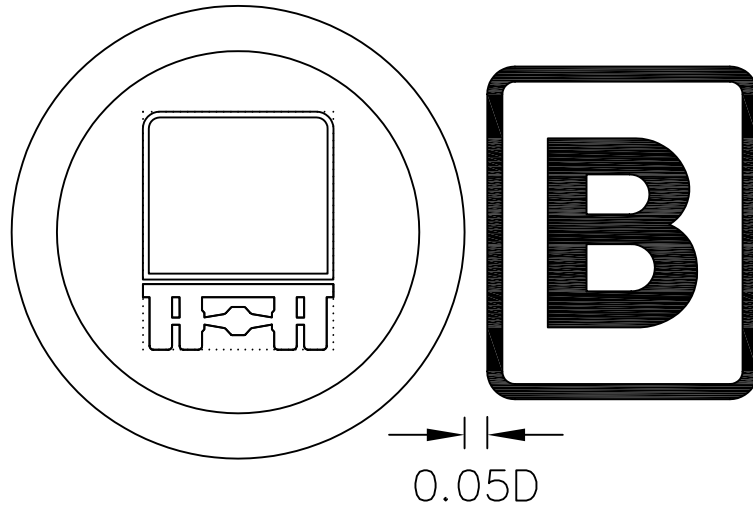
Dimensions:  
MILLIMETRES

Drawing No.  
NP 622.10

Drawing No.  
NP 622.11

© CROWN COPYRIGHT

- NOTES: 1. The letter is from the Transport Heavy alphabet.  
 2. The sign is shown on NP622.10  
 3. COLOURS:  
 Background ----- WHITE  
 Letter and Border --- BLACK  
 4. The letter is shown at the size appropriate to accompany a 600mm roundel. Where a different roundel size is used the dimensions of the letter plate shall be varied proportionally.  
 5. Black border shall be omitted when the plate is incorporated into a sign with a dark background.



NP622x11

Before using this drawing, confirm that it has not been superseded.

**Department for  
Transport**

Title: Supplementary plate  
TUNNEL CLASSIFICATION PLATE

Issue: Date: A:11/09/09  
C:  
D:

Drawn by: L.W.  
Approved by: J.B.

Dimensions: MILLIMETRES

Drawing No. NP 622.11