

Drawing No.

P 626.2A sheet  
1 of 3

Before using this drawing, confirm that it has not been superseded.

© CROWN COPYRIGHT

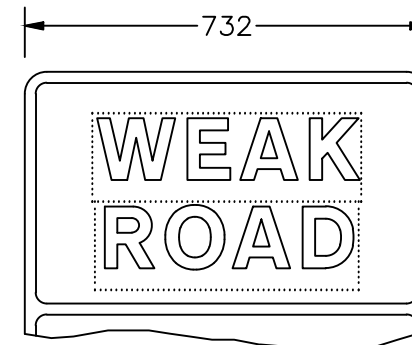
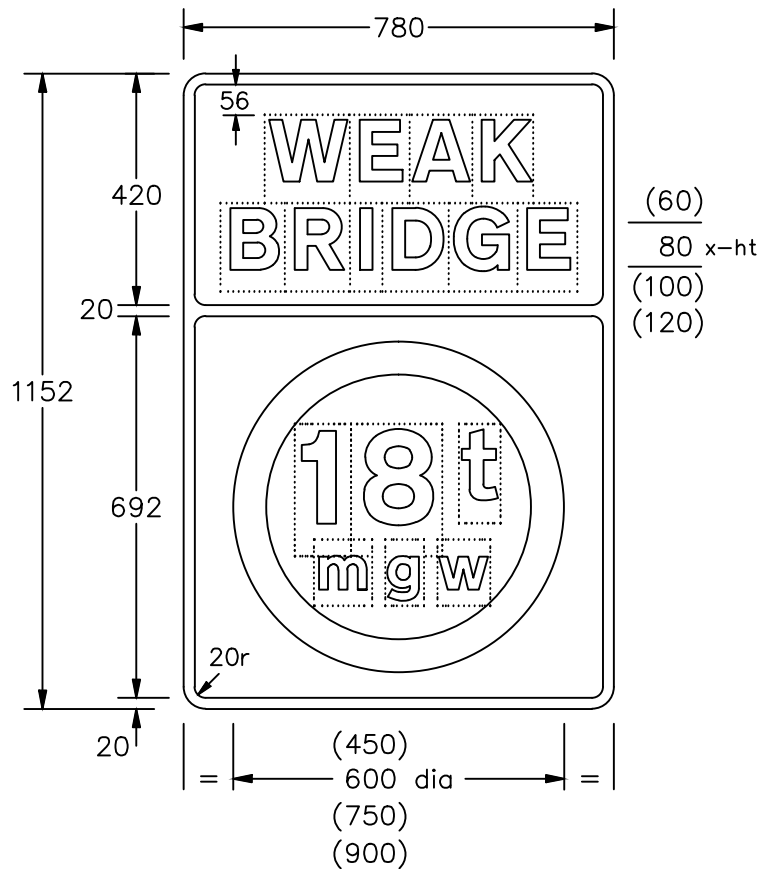
NOTES:- 1. The legend is from the Transport Heavy alphabet at the x-heights shown.

2. The tile outlines do not form part of the signs.

3. COLOURS : Background of upper plate ---- WHITE  
Background of lower panel ---- GREY  
Roundel background ----- WHITE  
Legends and border ----- BLACK  
Roundel border ----- RED

4. Dimensions shown are for the sign using 80mm x-ht. These dimensions are varied proportionally for the other sign sizes.

5. See sheets 2 and 3 for the table of x-heights used for tonnage variations and examples.



VARIANT

P626x2A-1

**Department for  
Transport**

Title: Regulatory Signs  
WEAK BRIDGE OR ROAD  
weight restriction

Issue: Date:  
A: 3.7.03  
B: 11.11.11  
C: 17.1.12

Drawn by: L.W.  
Approved by: R.M.

Dimensions :  
MILLIMETRES

Drawing No.  
P 626.2A  
Sheet 1 of 3

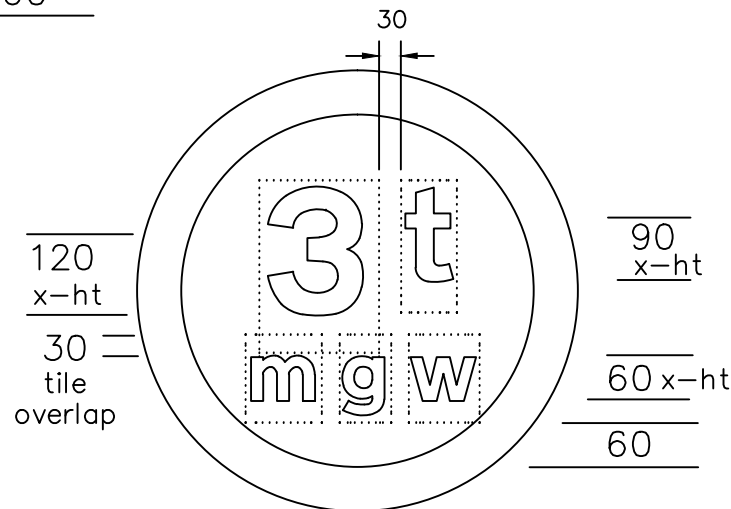
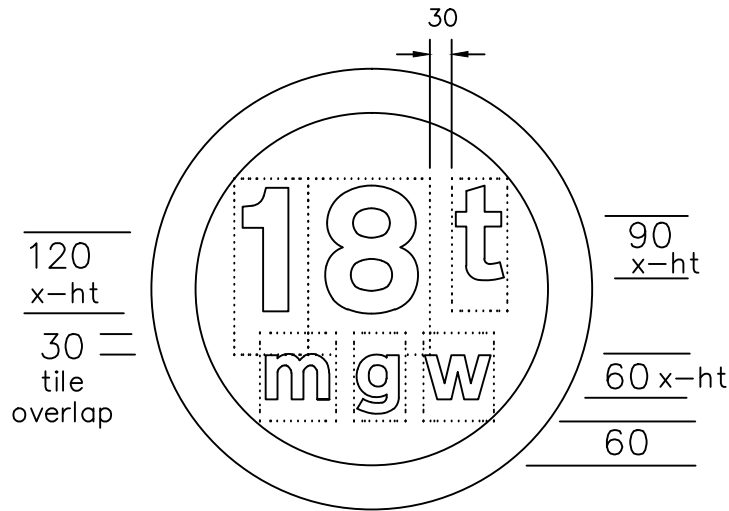
Drawing No.

P 626.2A sheet 2 of 3

Before using this drawing, confirm that it has not been superseded.

© CROWN COPYRIGHT

- NOTES:-
1. The legend is from the Transport Heavy alphabet at the x-heights shown.
  2. The x-heights used for the tonnage variations are shown in the table. Examples are shown with the different tile spacing.
  3. The tile outlines do not form part of the signs.
  4. COLOURS : Background ----- WHITE  
Legend ----- BLACK  
Roundel border --- RED
  5. See sheet 1 for dimensions of the main sign and sheet 3 for other variants of the roundel.



Tonnage variants with x-hts used

120 x-ht	96 x-ht
3t	7.5t
10t	26t
13t	33t
18t	

P626x2A-2

**Department for  
Transport**

Title: Regulatory Signs  
WEAK BRIDGE OR ROAD  
weight restriction

Issue: Date:  
A: 3.7.03  
B: 11.11.11  
C: 17.1.12

Drawn by :  
S.P.  
Approved by:  
R.M.

Dimensions :  
MILLIMETRES

Drawing No.  
P 626.2A  
Sheet 2 of 3

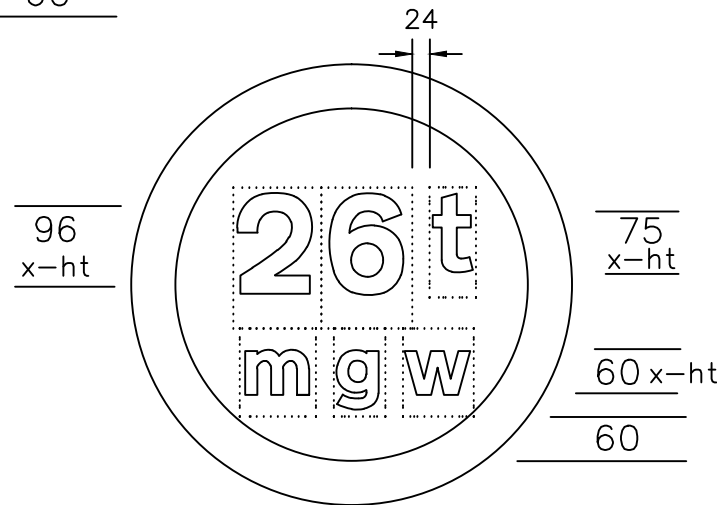
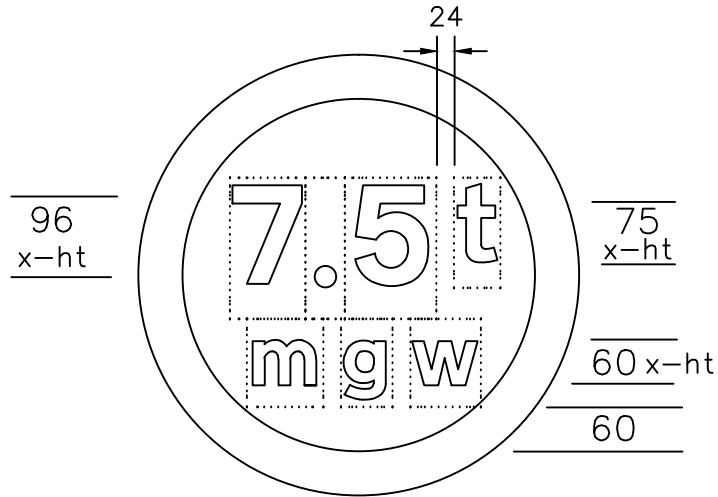
Drawing No.

P 626.2A sheet 3 of 3

Before using this drawing, confirm that it has not been superseded.

© CROWN COPYRIGHT

- NOTES:-
1. The legend is from the Transport Heavy alphabet at the x-heights shown.
  2. The x-heights used for the tonnage variations are shown in the table. Examples are shown with the different tile spacing.
  3. The tile outlines do not form part of the signs.
  4. COLOURS : Background ----- WHITE  
Legend ----- BLACK  
Roundel border --- RED
  5. See sheet 1 for dimensions of the main sign and sheet 2 for other variants of the roundel.



Tonnage variants with x-hts used

96 x-ht	120 x-ht
7.5t	3t
26t	10t
33t	13t
	18t

P626x2A-3

**Department for  
Transport**

Title: Regulatory Signs  
WEAK BRIDGE OR ROAD  
weight restriction

Issue: Date:  
A: 3.7.03  
B: 11.11.11  
C: 17.1.12

Drawn by :  
S.P.  
Approved by :  
R.M.

Dimensions :  
MILLIMETRES

Drawing No.  
P 626.2A  
Sheet 3 of 3