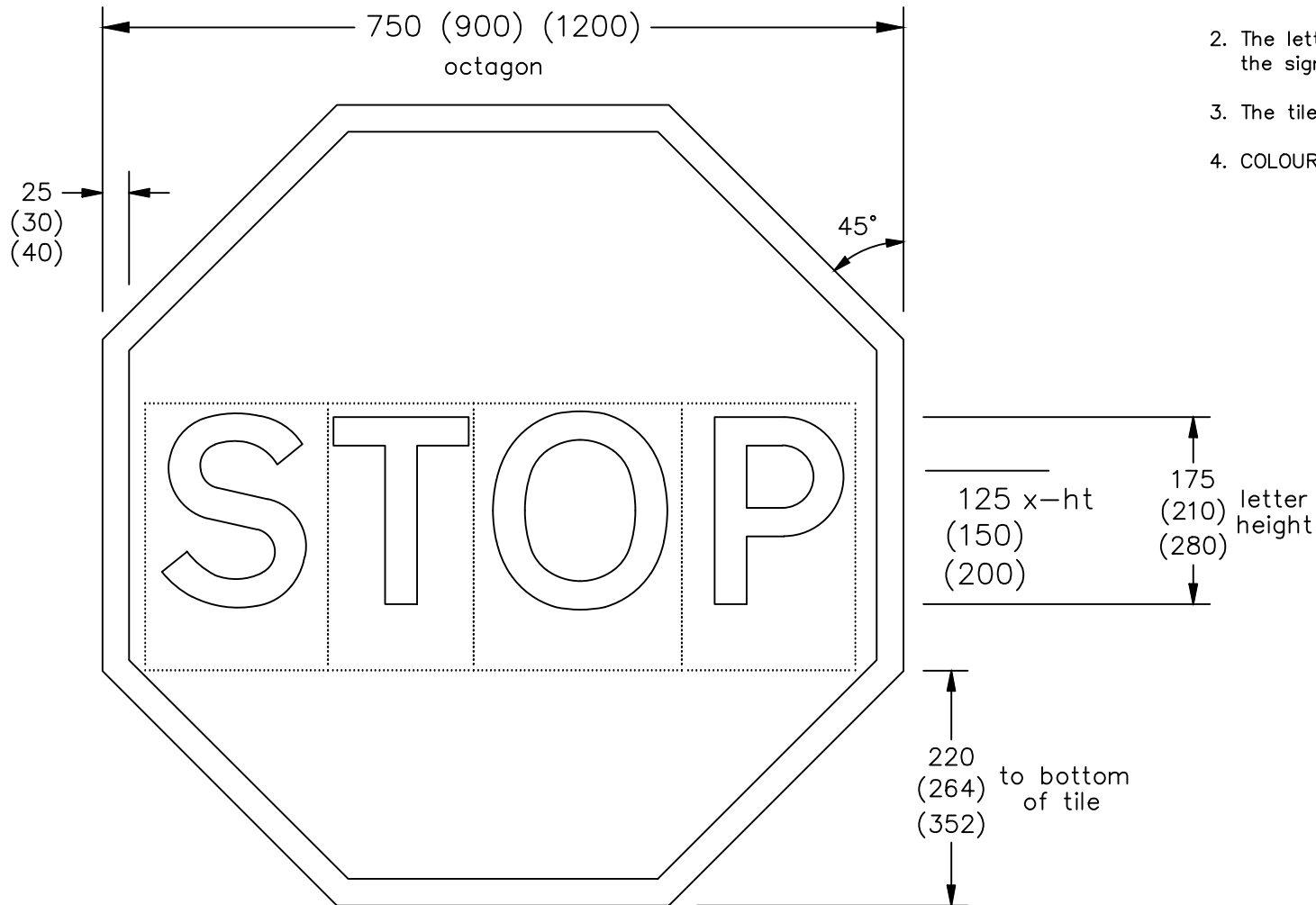


Drawing No.
P 601.1

© CROWN COPYRIGHT

- NOTES: - 1. The legend is from the Transport Medium alphabet at the x-heights shown.
2. The letters (not tiles) are centred horizontally on the sign.
3. The tile outlines do not form part of the sign.
4. COLOURS : Background ----- RED
Legend & Border --- WHITE



P601x1

Before using this drawing, confirm that it has not been superseded.

Department for Transport	Title: Regulatory Sign STOP SIGN	Issue: Date: Drawn by: Dimensions: Drawing No.
		A: 5.7.94 S.P.
		B: 8.7.04 Approved by: MILLIMETRES P 601.1 C: 4.5.12 R.M.