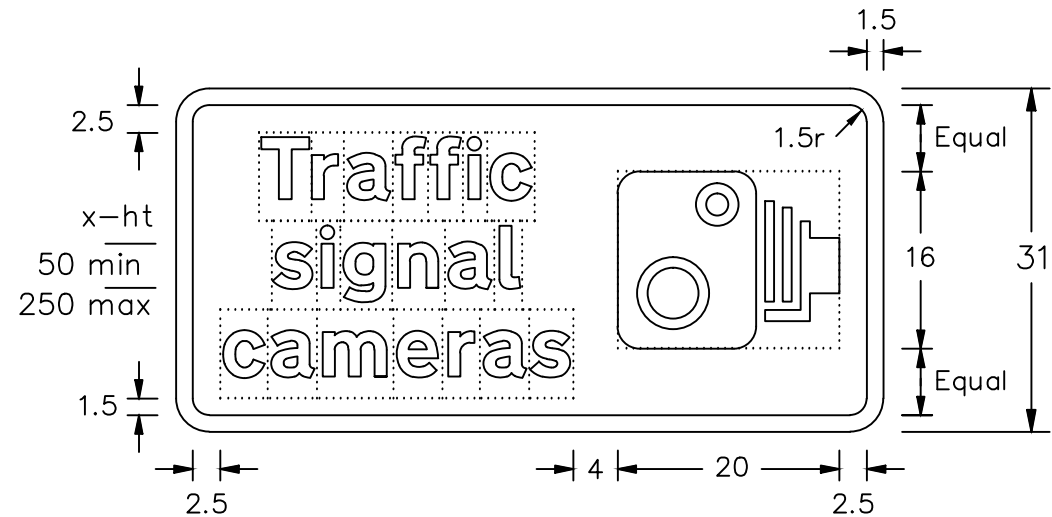
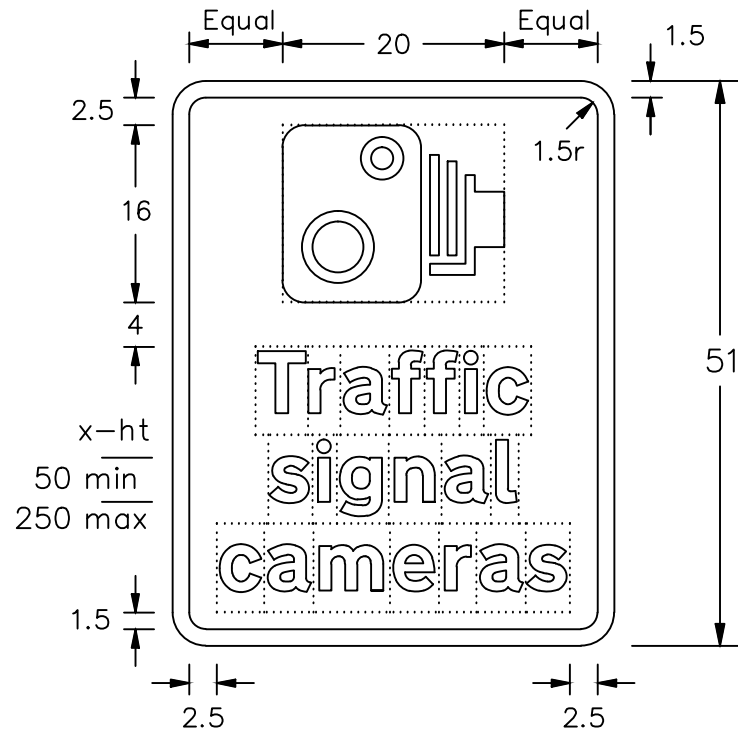


Drawing No.  
P 878 sheet  
1 of 5

Related drawing  
S 58

© CROWN COPYRIGHT

- NOTES:—
1. The legend is from the Transport Heavy alphabet at the x-heights shown.
  2. Details of the camera symbol are given on drawing S 58.
  3. The tile outlines do not form part of the signs.
  4. COLOURS : Legend, Symbol & Border --- BLACK  
Background ----- WHITE
  5. DIMENSIONS : x-heights are in millimetres, other dimensions are in stroke widths. (4sw = x-height)
  6. See sheets 2 to 5 for variants.



P878-1

Before using this drawing, confirm that it has not been superseded.

Department for  
**Transport**

Title: Informatory Signs  
TRAFFIC SIGNAL CAMERAS  
and VARIANTS

Issue: Date:  
A: 2.1.04  
B: 11.11.11  
C:

Drawn by :  
R.M.  
Approved by:  
R.M.

Dimensions :  
SEE  
NOTE 5

Drawing No.  
P 878  
sheet 1 of 5

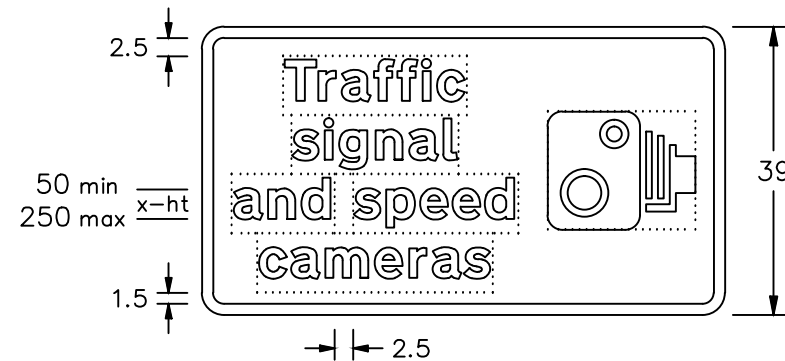
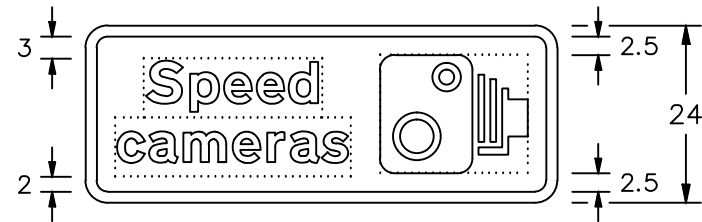
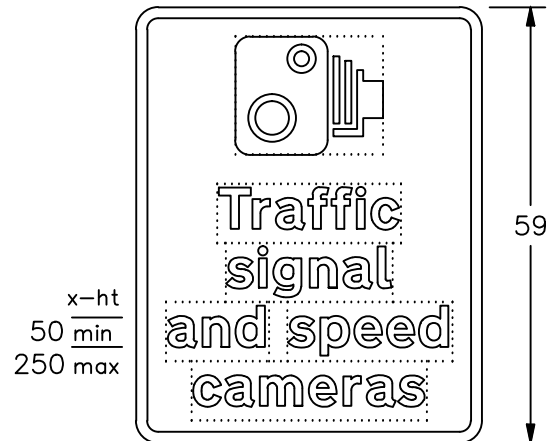
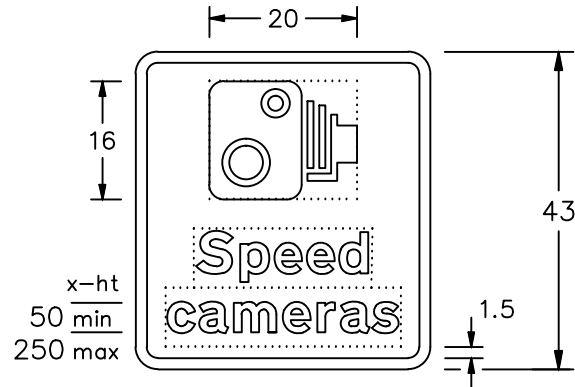
Drawing No.  
P 878 sheet  
2 of 5

Related drawing  
S 58

Before using this drawing, confirm  
that it has not been superseded.

© CROWN COPYRIGHT

- NOTES:—
1. The legend is from the Transport Heavy alphabet at the x-heights shown.
  2. Details of the camera symbol are given on drawing S 58.
  3. The tile outlines do not form part of the signs.
  4. COLOURS : Legend, Symbol & Border --- BLACK  
Background ----- WHITE
  5. DIMENSIONS : x-heights are in millimetres, other dimensions are in stroke widths. (4sw = x-height)
  6. See sheet 1 for other dimensions and sheets 3, 4 and 5 for other variants.



P878-2

Department for  
**Transport**

Title: Informatory Signs  
TRAFFIC SIGNAL CAMERAS  
and VARIANTS

Issue: Date:  
A: 2.1.04  
B: 11.11.11  
C:

Drawn by :  
R.M.  
Approved by :  
R.M.

Dimensions :  
SEE  
NOTE 5

Drawing No.  
P 878  
sheet 2 of 5

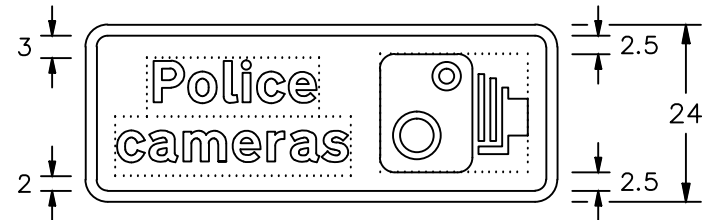
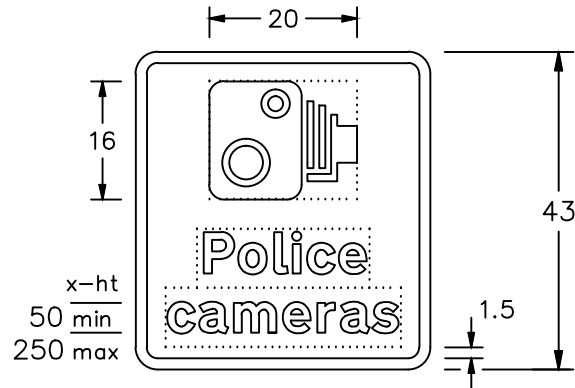
Drawing No.  
P 878 sheet  
3 of 5

Related drawing  
S 58

Before using this drawing, confirm  
that it has not been superseded.

© CROWN COPYRIGHT

- NOTES:—
1. The legend is from the Transport Heavy alphabet at the x-heights shown.
  2. Details of the camera symbol are given on drawing S 58.
  3. The tile outlines do not form part of the signs.
  4. COLOURS : Legend, Symbol & Border --- BLACK  
Background ----- WHITE
  5. DIMENSIONS : x-heights are in millimetres, other dimensions are in stroke widths. (4sw = x-height)
  6. See sheet 1 for other dimensions and sheets 2, 4 and 5 for other variants.



P878-3

Department for  
**Transport**

Title: Informatory Signs  
TRAFFIC SIGNAL CAMERAS  
and VARIANTS

Issue: Date:  
A: 2.1.04  
B: 11.11.11  
C:

Drawn by :  
R.M.  
Approved by :  
R.M.

Dimensions :  
SEE  
NOTE 5

Drawing No.  
P 878  
sheet 3 of 5

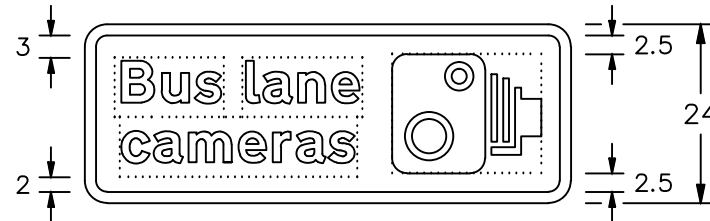
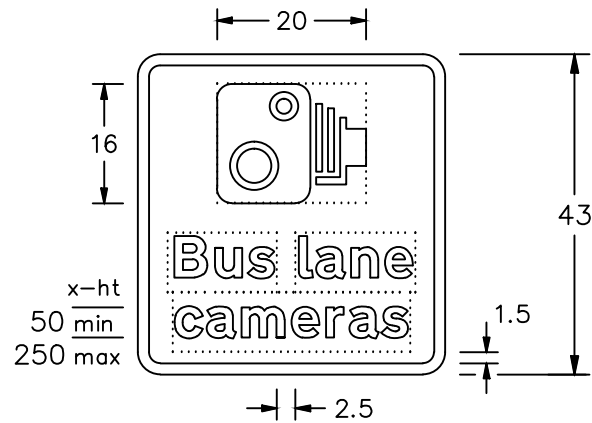
Drawing No.  
P 878 sheet  
4 of 5

Related drawing  
S 58

Before using this drawing, confirm  
that it has not been superseded.

© CROWN COPYRIGHT

- NOTES:—
1. The legend is from the Transport Heavy alphabet at the x-heights shown.
  2. Details of the camera symbol are given on drawing S 58.
  3. The tile outlines do not form part of the signs.
  4. COLOURS : Legend, Symbol & Border --- BLACK  
Background ----- WHITE
  5. DIMENSIONS : x-heights are in millimetres, other dimensions are in stroke widths. (4sw = x-height)
  6. See sheet 1 for other dimensions and sheets 2, 3 and 5 for other variants.



P878-4

Department for  
**Transport**

Title: Informatory Signs  
TRAFFIC SIGNAL CAMERAS  
and VARIANTS

Issue: A: 2.1.04  
B: 11.11.11  
C:

Date: R.M.  
Approved by: R.M.

Dimensions :  
SEE  
NOTE 5

Drawing No.  
P 878  
sheet 4 of 5

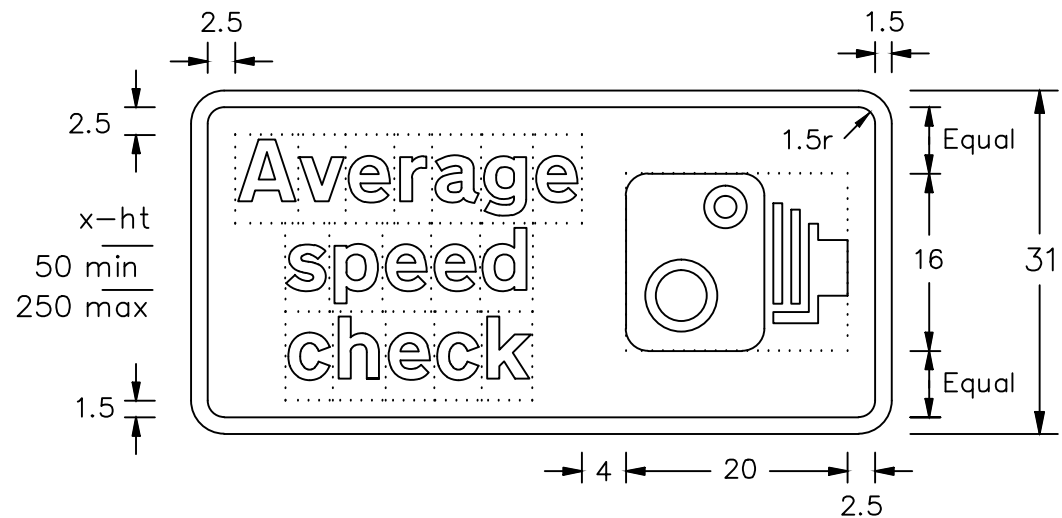
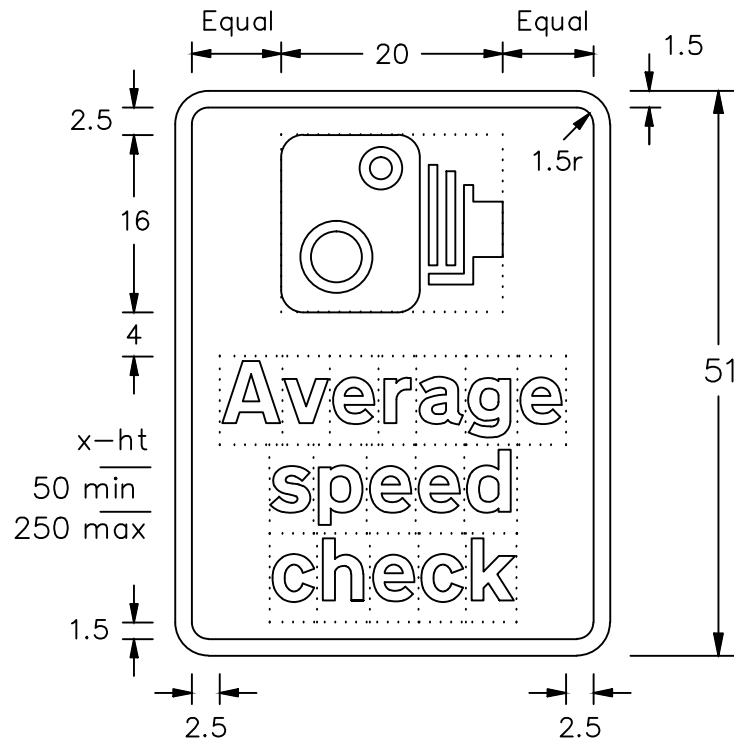
Drawing No. sheet  
P 878 5 of 5

Related drawing  
S 58

Before using this drawing, confirm that it has not been superseded.

© CROWN COPYRIGHT

- NOTES:-
1. The legend is from the Transport Heavy alphabet at the x-heights shown.
  2. Details of the camera symbol are given on drawing S 58.
  3. The tile outlines do not form part of the signs.
  4. COLOURS : Legend, Symbol & Border --- BLACK  
Background ----- WHITE
  5. DIMENSIONS : x-heights are in millimetres, other dimensions are in stroke widths. (4sw = x-height)
  6. See sheets 2, 3 and 4 for other variants.



P878-5

<p><b>Department for Transport</b></p>	<p>Title: Informatory Sign TRAFFIC SIGNAL CAMERAS and VARIANTS</p>	Issue: A:	Date: 2.1.04	Drawn by: L.W.	<p>Dimensions: SEE NOTE 5</p>	<p>Drawing No. P 878 sheet 5 of 5</p>
		B:	11.11.11	Approved by: R.M.		
		C:				