

Drawing No.
P 1039
 Sheet 1 of 2

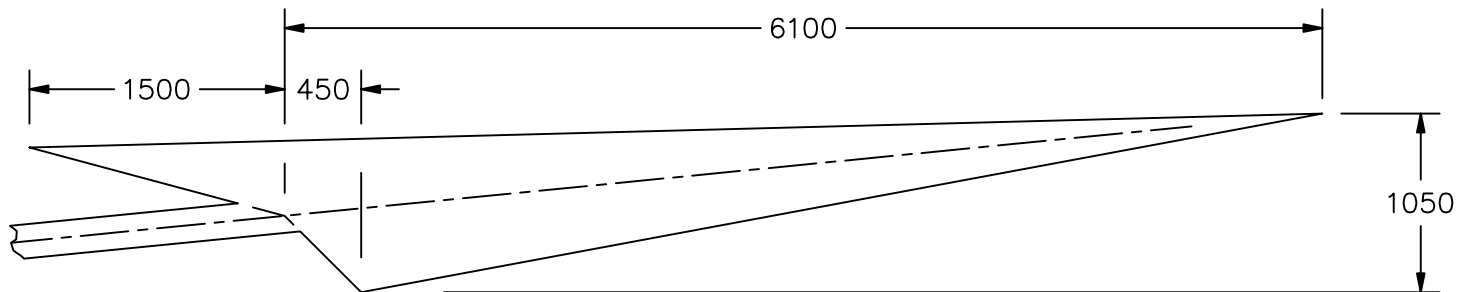
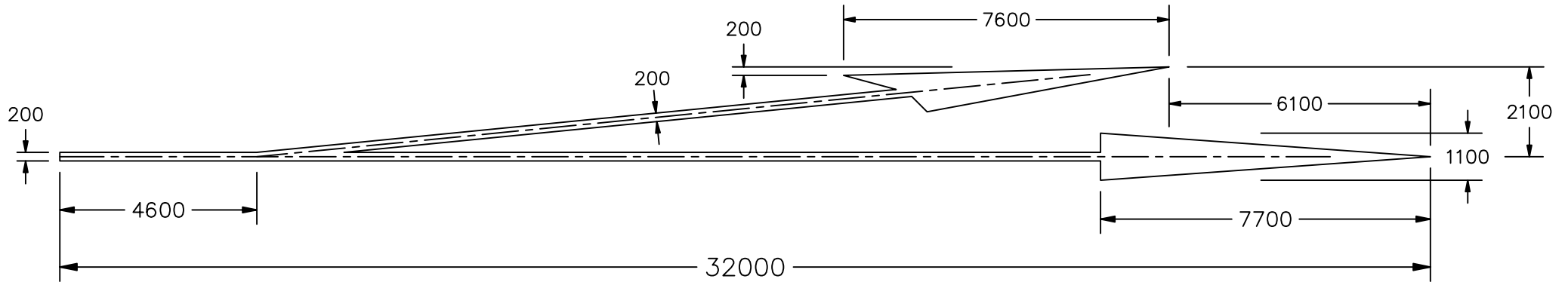
Before using this drawing, confirm that it has not been superseded.

© CROWN COPYRIGHT

NOTES: 1. COLOUR : Arrow --- WHITE

2. The marking may be reversed in a mirror image to indicate a bifurcation to the right.

3. See sheet 2 for bifurcation arrows that are 8 metres and 16 metres long.



P1039-1

| | | | | | | | |
|--|-------------------------------------|--------------|--------|---------|--------------|-------------|---------------|
| Department for Transport | Title: | Road Marking | Issue: | Date: | Drawn by: | Dimensions: | Drawing No. |
| | BIFURCATION ARROW 32 metres long | | A: | 30.6.94 | S.P. | MILLIMETRES | P 1039 |
| | | | B: | 18.2.05 | Approved by: | | Sheet 1 of 2 |
| | | | C: | | R.M. | | |

Drawing No.
P 1039
 Sheet 2 of 2

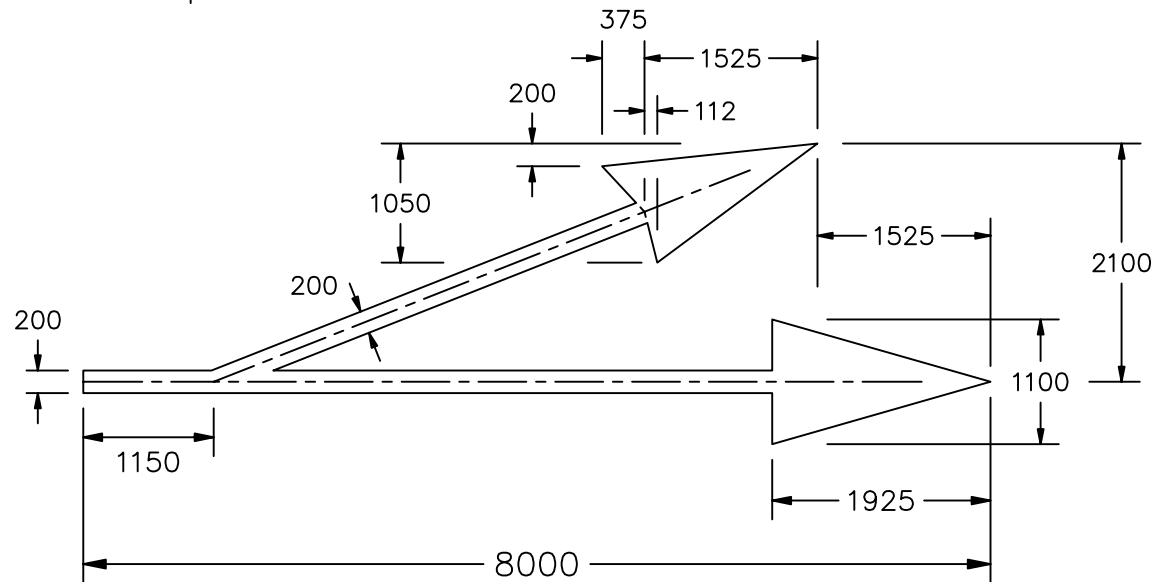
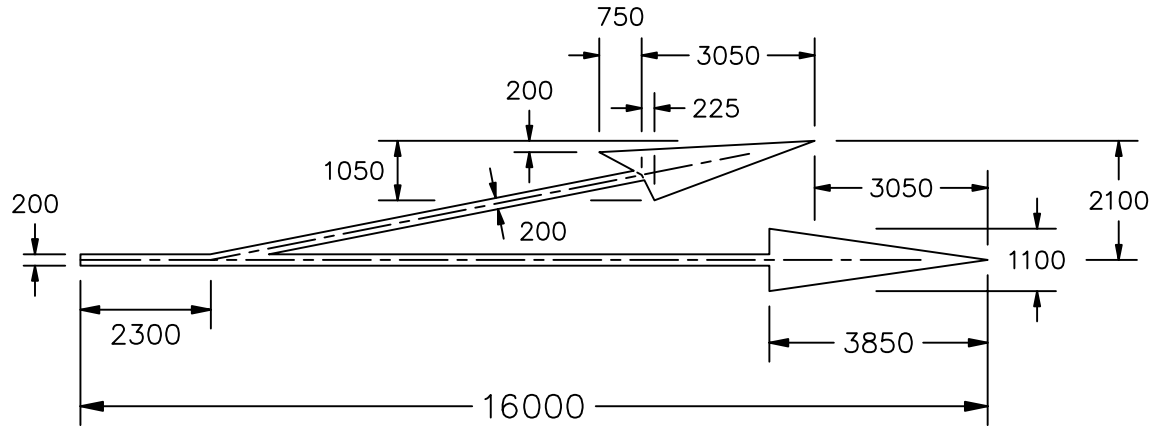
Before using this drawing, confirm that it has not been superseded.

© CROWN COPYRIGHT

NOTES: 1. COLOUR : Arrows --- WHITE

2. The markings may be reversed in a mirror image to indicate a bifurcation to the right.

3. See sheet 1 for a bifurcation arrow that is 32 metres long.



P1039-2

**Department for
 Transport**

Title: Road Markings
BIFURCATION ARROWS
 8 metres & 16 metres long

Issue: A: 30.6.94
 B: 18.2.05
 C:

Date: S.P.
 Approved by: R.M.

Dimensions: MILLIMETRES

Drawing No.
P 1039
 Sheet 2 of 2