

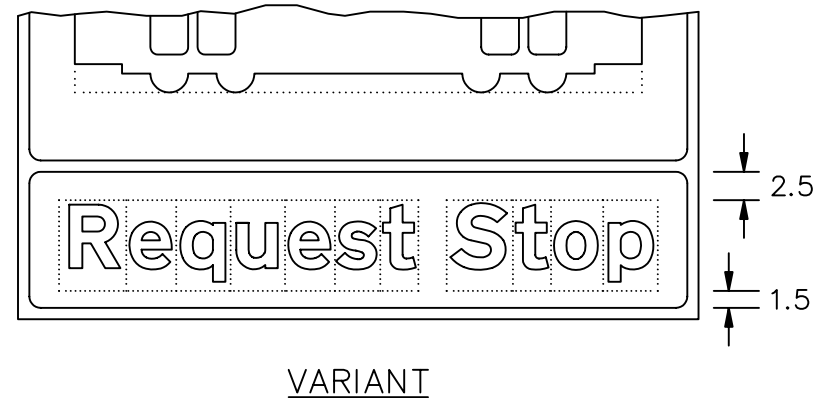
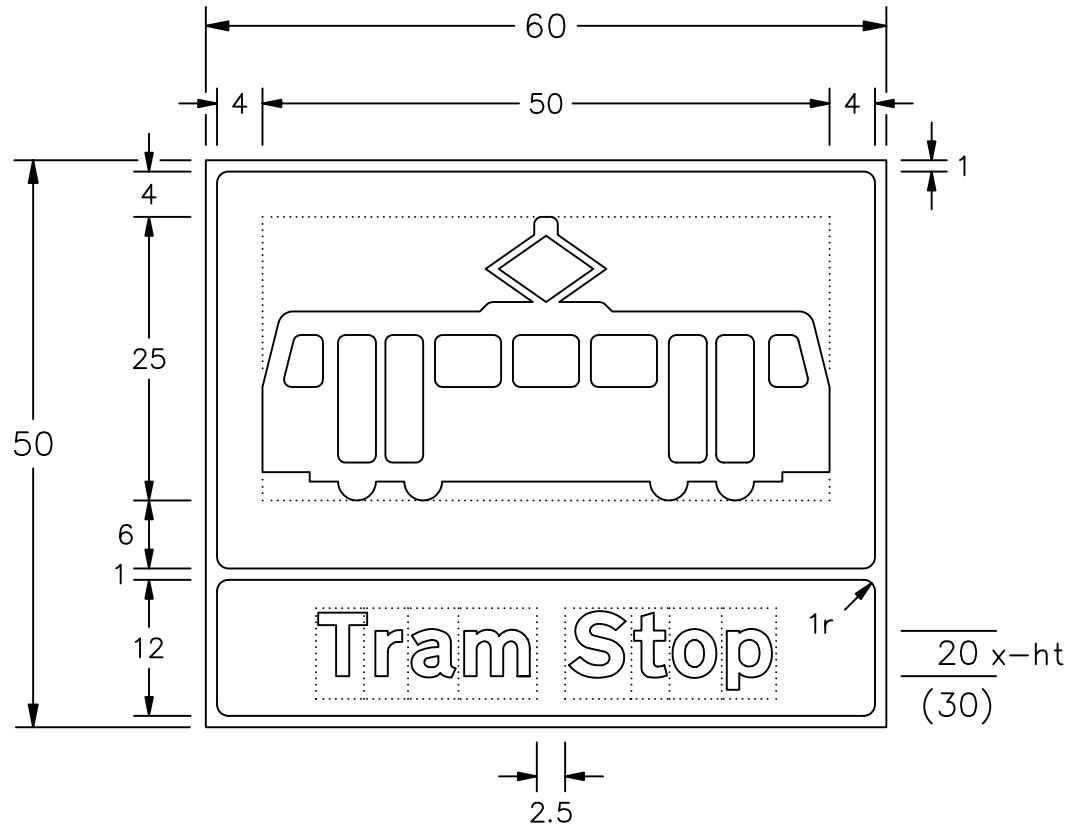
Drawing No.
P 971

Related Drawing
S 26

Before using this drawing, confirm that it has not been superseded.

© CROWN COPYRIGHT

- NOTES: 1. The sign illustrated uses legend from the Transport Heavy alphabet at the x-heights shown. The legend may be in any style of lettering.
2. Tram symbol details are given on drawing S 26.
3. The tile outlines do not form part of the signs.
4. COLOURS : Background ----- WHITE
Legend, Symbol & Border ---- BLACK
5. DIMENSIONS : x-heights are in millimetres, other dimensions are in stroke widths. (4sw = x-height)
6. The sign face may be curved.



P971

Department for
Transport

Title: Informatory Signs
TRAM STOP

Issue: Date: Drawn by:
A: 11.7.94 S.P.
B: 15.11.04 Approved by:
C: R.M.

Dimensions:
SEE
NOTE 5

Drawing No.
P 971