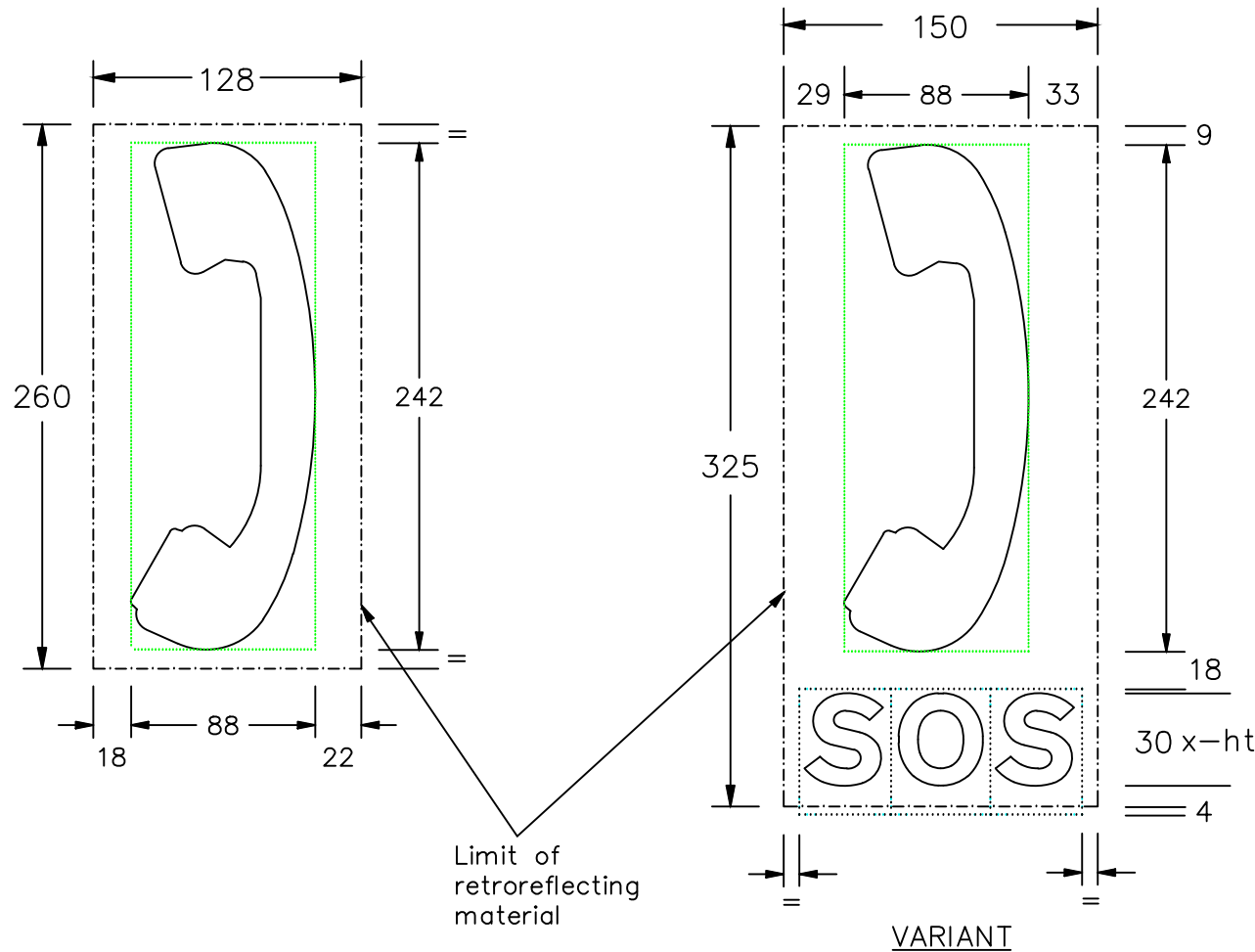


Drawing No.
P 787

Related Drawing
S 41

© CROWN COPYRIGHT

- NOTES: 1. Details of the telephone symbol are given on drawing S 41 (Tile B).
2. The tile outline does not form part of the sign.
3. COLOURS : Background ----- YELLOW
Symbol ----- BLACK
SOS legend ----- BLACK
4. The legend is from the Transport Heavy alphabet at the x-heights shown.



P787

Before using this drawing, confirm that it has not been superseded.

Department for
Transport

Title: Informatory Signs
SITE OF EMERGENCY TELEPHONE
AT OR NEAR LEVEL CROSSING

Issue: Date:
A: 27.9.94
B: 27.7.04
C: 11.11.11

Drawn by :
S.P.
Approved by:
R.M.

Dimensions :
MILLIMETRES

Drawing No.
P 787