

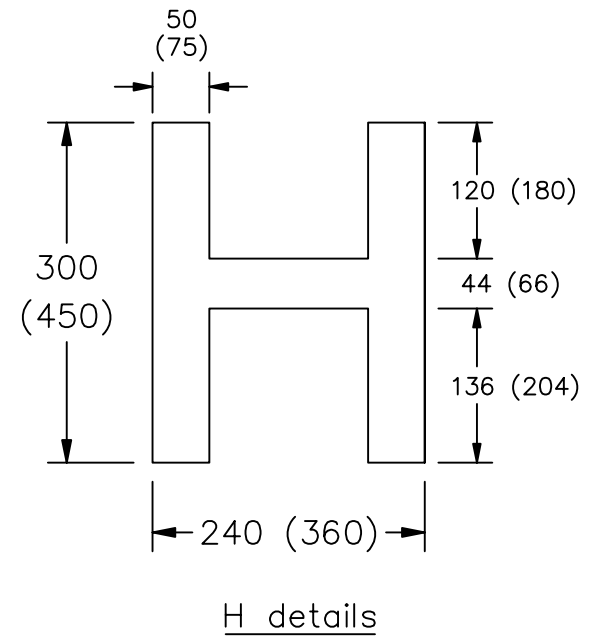
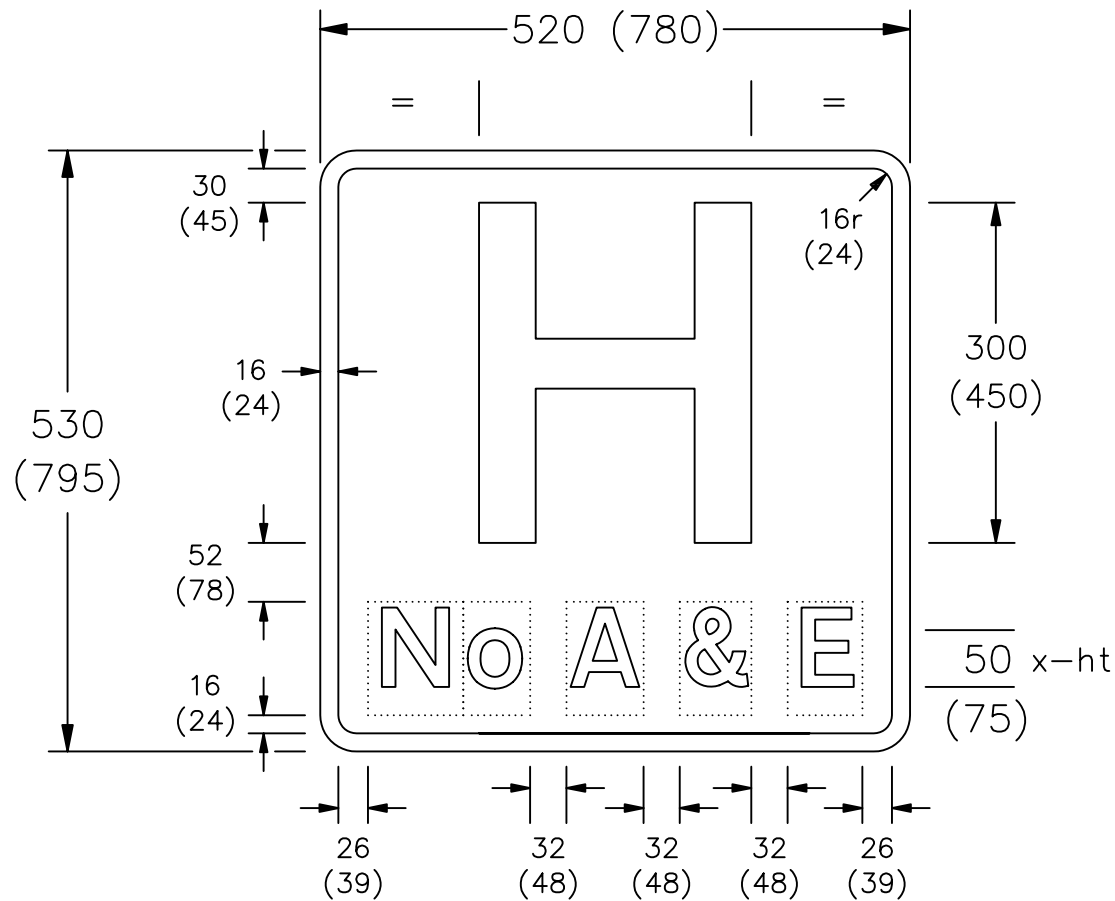
Drawing No.
P 827.1

© CROWN COPYRIGHT

NOTES: 1. The legend is from the Transport Medium alphabet at the x-heights shown.

2. The tile outlines do not form part of the sign.

3. COLOURS : Legend & Border --- WHITE
Background ----- BLUE
'H' symbol ----- WHITE



P827x1

Before using this drawing, confirm that it has not been superseded.

Department for
Transport

Title: Informatory Sign
HOSPITAL
No Accident & Emergency

Issue: Date:
A: 2.8.94
B: 16.8.04
C:

Drawn by: S.P.
Approved by: R.M.

Dimensions:
MILLIMETRES

Drawing No.
P 827.1

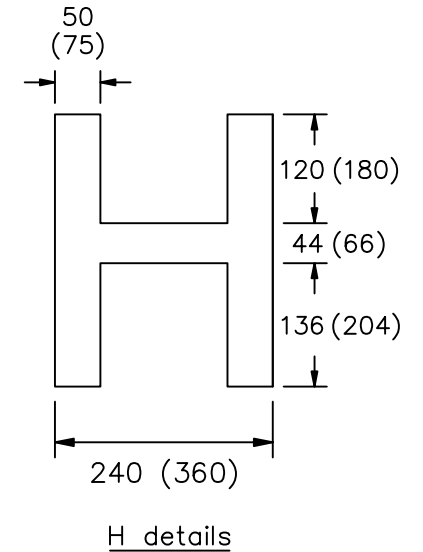
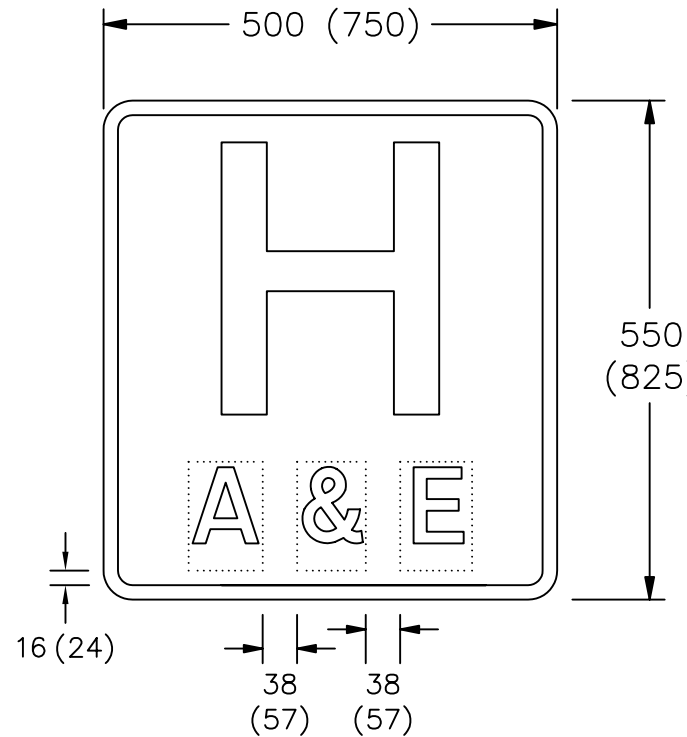
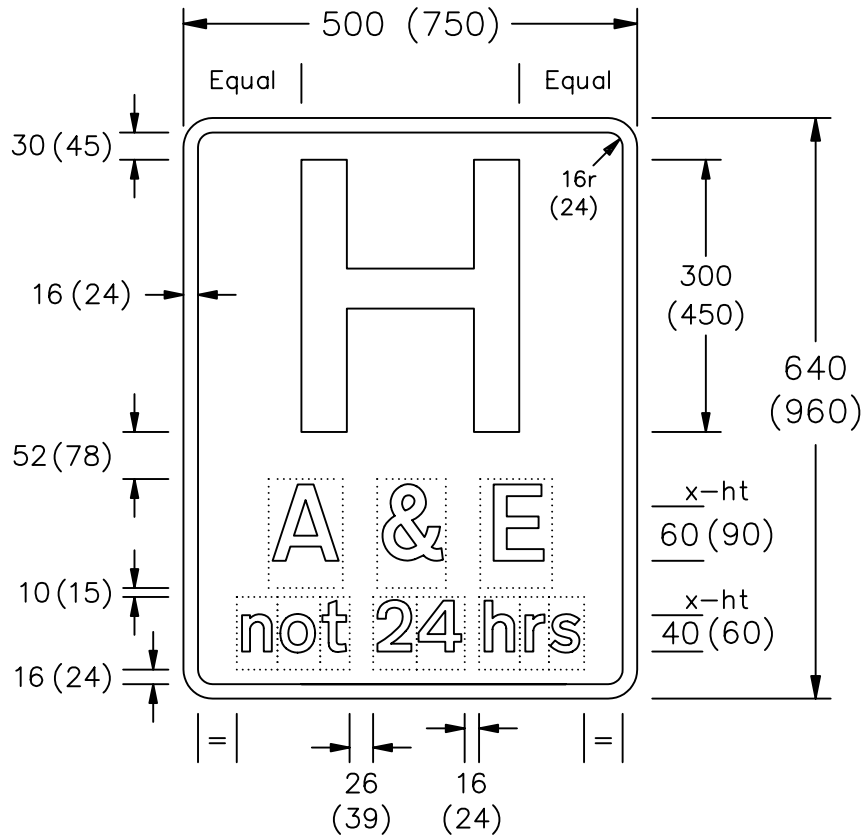
Drawing No.
P 827.2

© CROWN COPYRIGHT

NOTES: 1. The legend is from the Transport Medium alphabet at the x-heights shown.

2. The tile outlines do not form part of the signs.

3. COLOURS : Legend & Border ---- WHITE
Background ----- RED
'H' symbol ----- WHITE



VARIANT

P827x2

Before using this drawing, confirm that it has not been superseded.

Department for
Transport

Title: Informatory Signs
HOSPITAL
Accident & Emergency

Issue: Date: Drawn by:
A: 2.8.94 S.P.
B: 16.8.04 Approved by:
C: R.M.

Dimensions:
MILLIMETRES

Drawing No.
P 827.2

Drawing No.
P 827.3

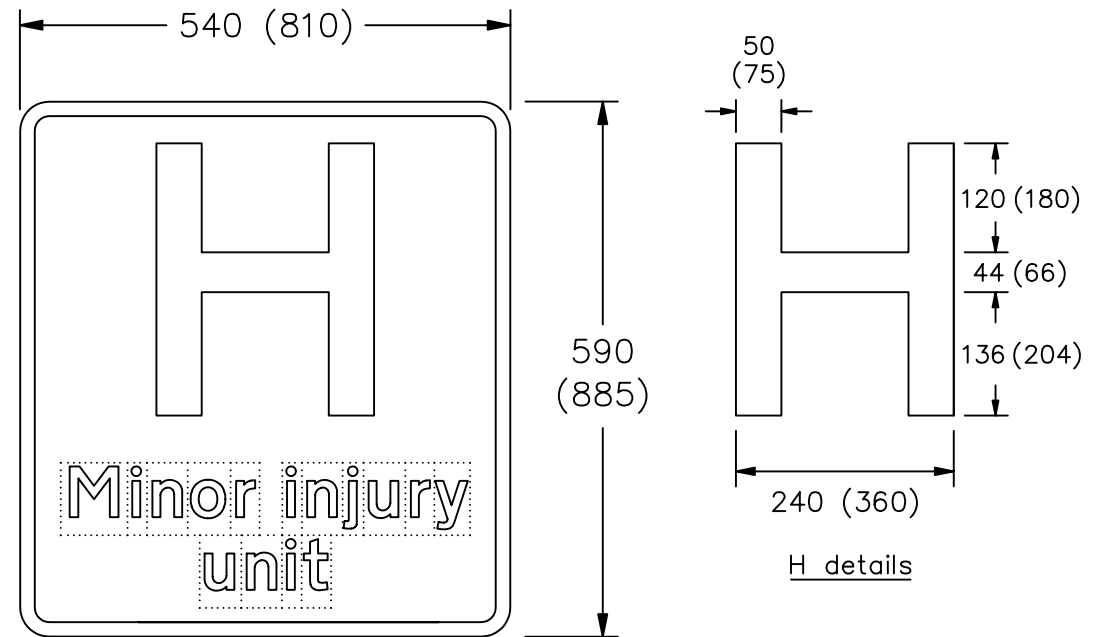
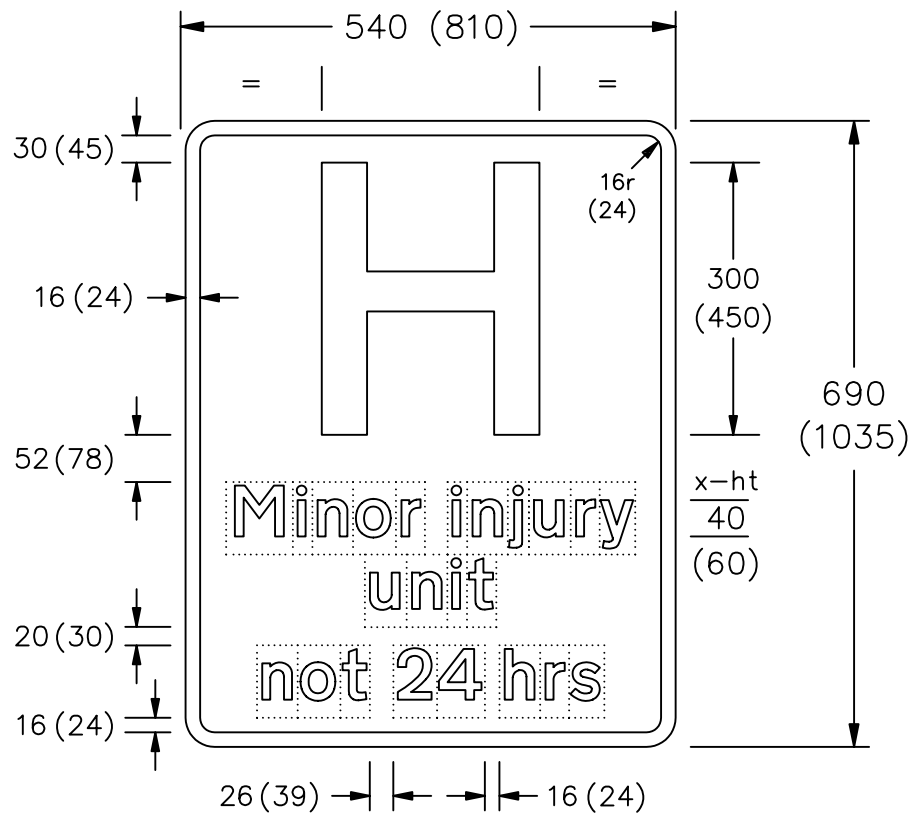
Before using this drawing, confirm that it has not been superseded.

© CROWN COPYRIGHT

NOTES: 1. The legend is from the Transport Medium alphabet at the x-heights shown.

2. The tile outlines do not form part of the signs.

3. COLOURS : Legend & Border ---- WHITE
Background ----- RED
'H' symbol ----- WHITE



VARIANT

H details

P827x3

Issue B : 'not 24 hrs'
dimensions amended

Department for
Transport

Title: Informatory Signs
HOSPITAL
Minor injury unit

Issue: Date: Drawn by:
A: 6.8.04 L.W.
B: 16.8.04 Approved by:
C: R.M.

Dimensions:
MILLIMETRES

Drawing No.
P 827.3