

Drawing No.
P 880

Related Drawings
S 58 &
P 670

© CROWN COPYRIGHT

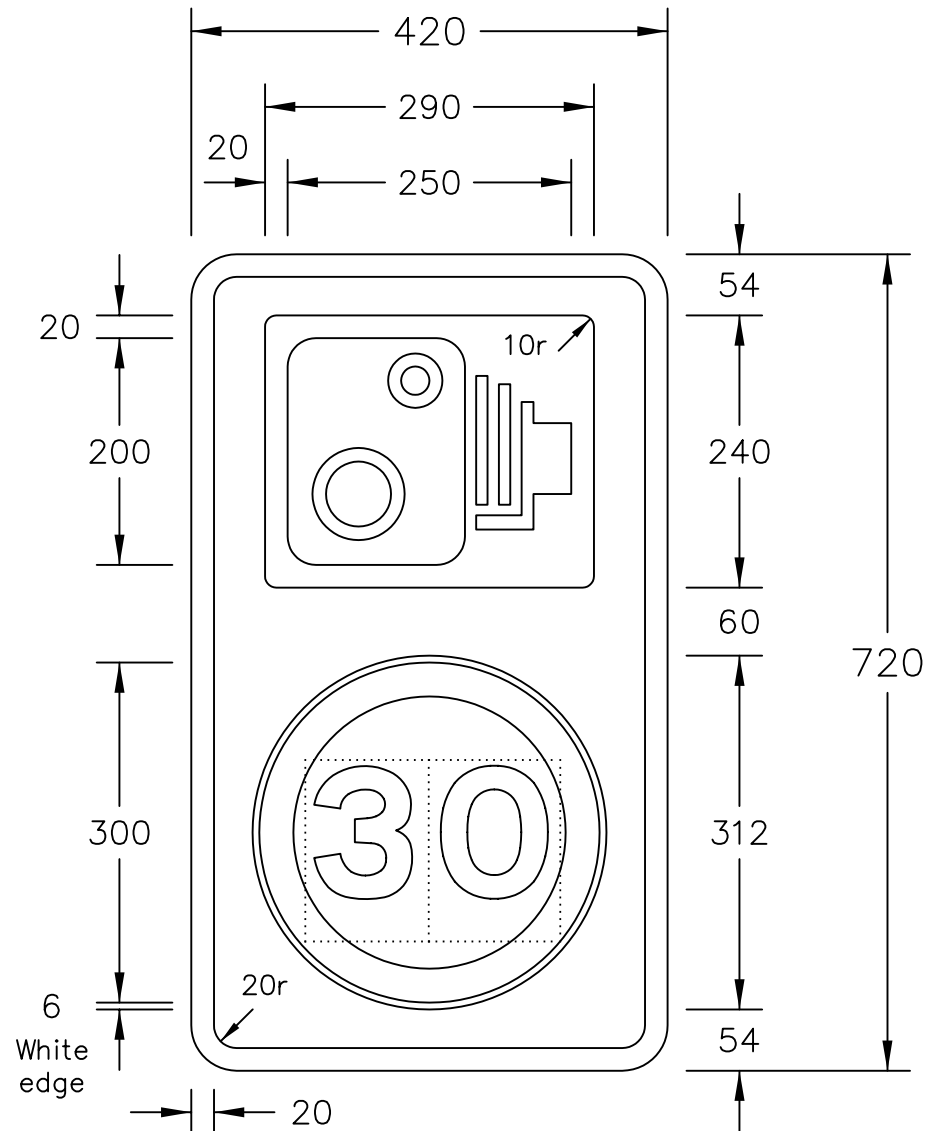
NOTES:- 1. Details of the camera symbol are given on drawing S 58.

2. Details of the speed limit roundel are given on drawing P 670. The diameter is 300mm. The 6mm white edge is added to the outside of the roundel. 30 mph is the only speed limit that may be shown.

3. The tile outlines do not form part of the sign.

4. COLOURS : Main Background --- BLUE
Border ----- WHITE
Camera Symbol ----- BLACK
Camera Panel ----- WHITE

SPEED LIMIT ROUNDEL
Background --- WHITE
Numerals ----- BLACK
Border ----- RED



P880

Before using this drawing, confirm that it has not been superseded.

**Department for
Transport**

Title: Informatory Sign
SPEED CAMERA AHEAD
AND REMINDER OF 30 MPH SPEED LIMIT

Issue: Date:
A: 14.7.03
B:
C:

Drawn by: R.M.
Approved by:
R.M.

Dimensions:
MILLIMETRES

Drawing No.
P 880