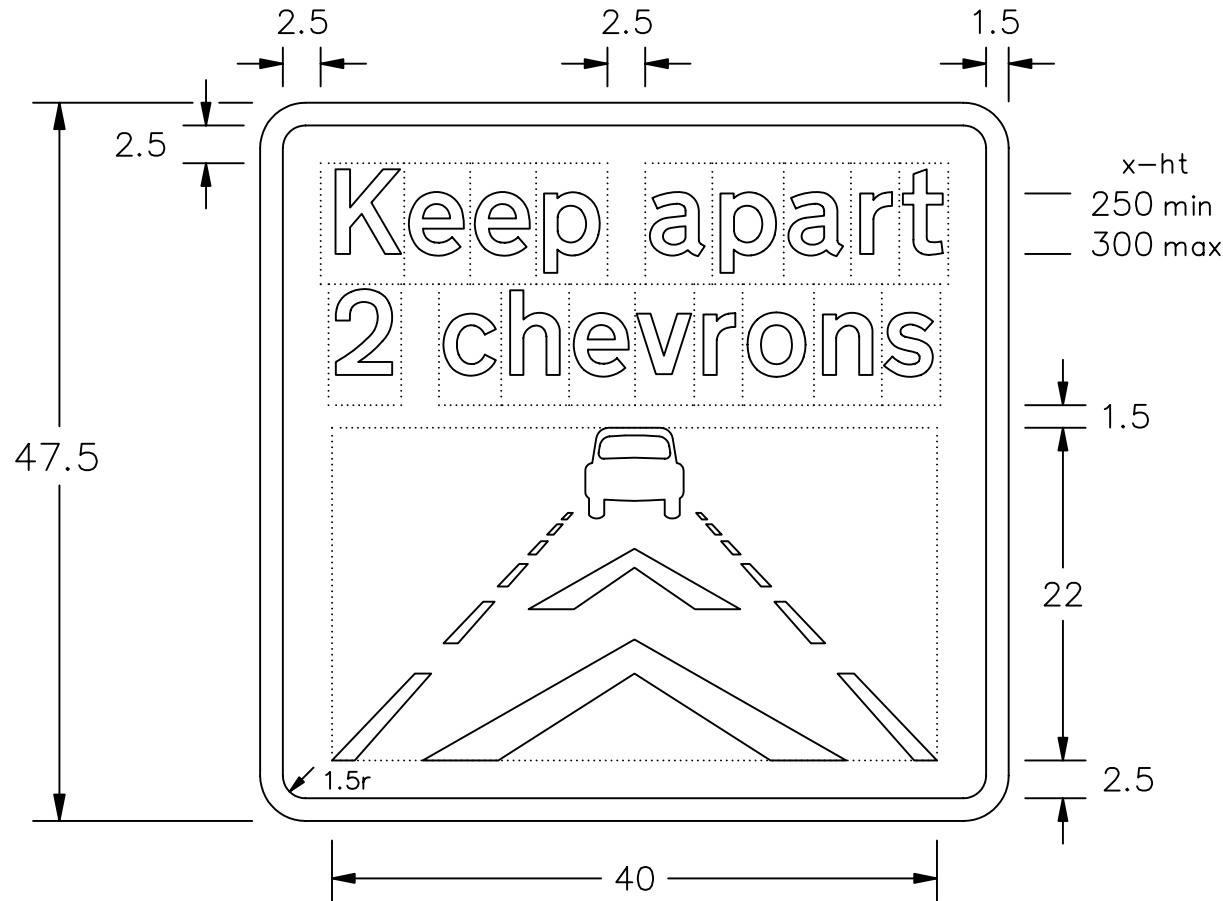


Drawing No.
P 2933

Related Drawing
S 60

© CROWN COPYRIGHT

- NOTES: 1. The legend is from the Transport Medium alphabet at the x-heights shown.
2. Symbol details are given on drawing S 60.
3. The tile outlines do not form part of the sign.
4. COLOURS : Background ----- BLUE
Legend, Symbol & Border ---- WHITE
5. DIMENSIONS : x-heights are in millimetres, other dimensions are in stroke widths. (4sw = x-height)



P2933

Before using this drawing, confirm that it has not been superseded.

Department for
Transport

Title: Motorway Informatory Sign
KEEP APART TWO CHEVRONS

Issue: A: 3.9.04
B:
C:

Drawn by: R.M.
Approved by: R.M.

Dimensions: SEE NOTE 5

Drawing No. P 2933