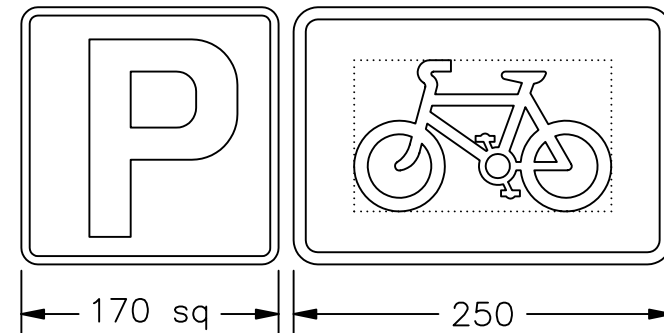
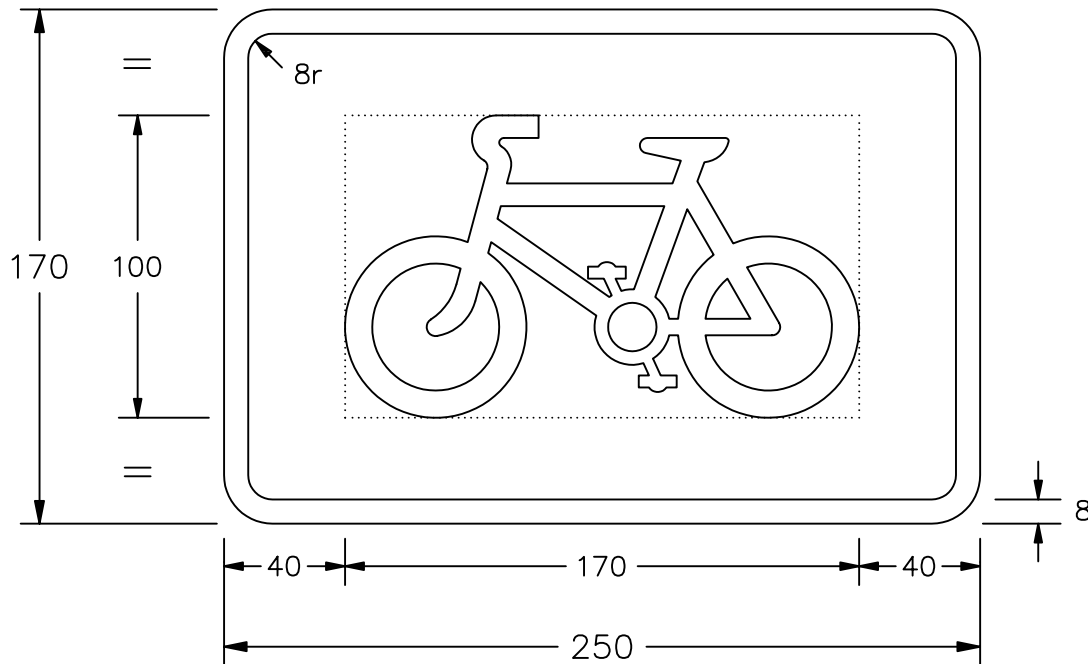


Drawing No. P 968	Related Drawings S 24 & P 801
----------------------	----------------------------------

© CROWN COPYRIGHT

- NOTES: 1. The sign uses the parking sign shown on drawing P 801 but at 170mm square, retaining the same proportions.
2. Cycle symbol details are given on drawing S 24.
3. The tile outlines do not form part of the sign.
4. COLOURS: –
- | | | |
|-------------|----------------------|-------|
| 'P' Sign | Background ----- | BLUE |
| | Symbol & Border ---- | WHITE |
| Cycle Plate | Background ----- | WHITE |
| | Symbol & Border ---- | BLACK |

This plate is used with P 801 to create the sign



P968

Before using this drawing, confirm that it has not been superseded.

Department for Transport	Title:	Informatory Sign PARKING PLACE FOR PEDAL CYCLES	Issue:	Date:	Drawn by:	Dimensions:	Drawing No.
			A:	8.7.94	S.P.	MILLIMETRES	P 968
			B:	31.8.04	Approved by:		
			C:		R.M.		

Drawing No.
P 968.1

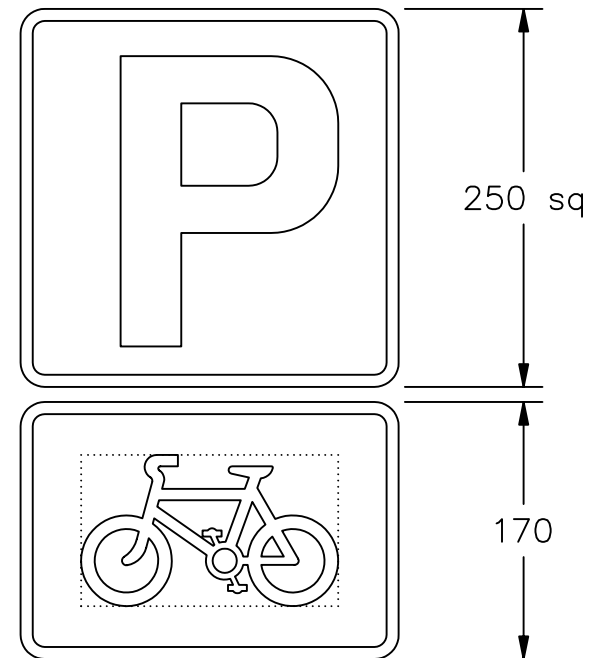
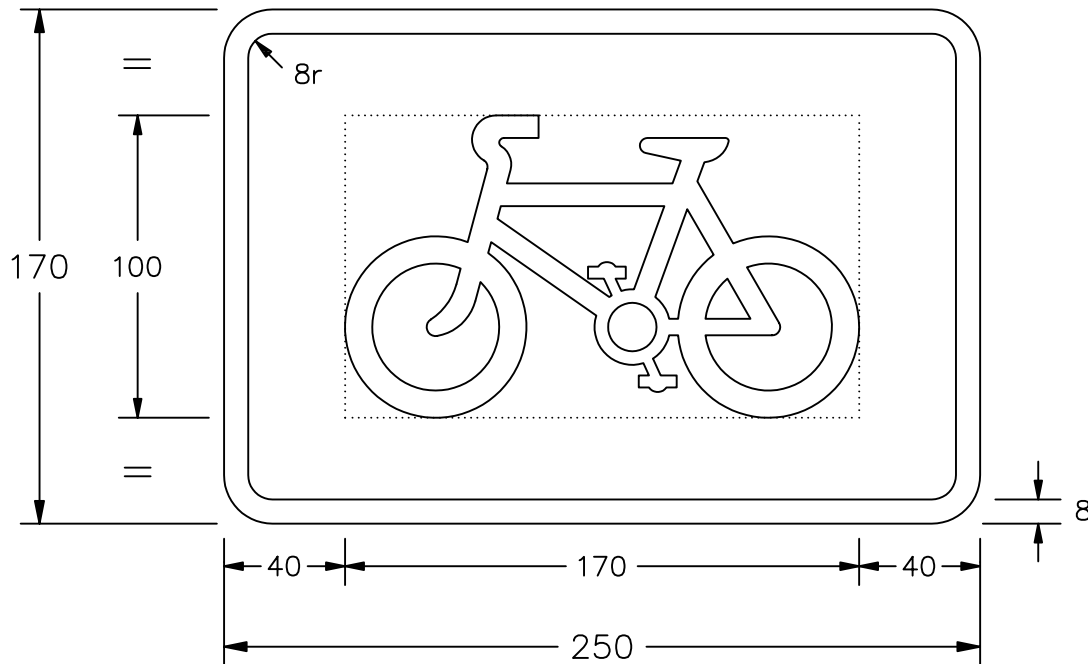
Related Drawings
S 24 & P 801

Before using this drawing, confirm that it has not been superseded.

© CROWN COPYRIGHT

- NOTES: 1. The sign uses the 250mm size of parking sign shown on drawing P 801.
2. Cycle symbol details are given on drawing S 24.
3. The tile outlines do not form part of the sign.
4. COLOURS:—
 'P' Sign Background ----- BLUE
 Symbol & Border ---- WHITE
 Cycle Plate Background ----- WHITE
 Symbol & Border ---- BLACK

This plate is used with P 801 to create the sign



P968x1

Department for
Transport

Title: Informatory Sign
PARKING PLACE
FOR PEDAL CYCLES

Issue: Date:
A: 8.7.94
B: 31.8.04
C:

Drawn by:
S.P.
Approved by:
R.M.

Dimensions:
MILLIMETRES

Drawing No.
P 968.1