

Drawing No. P 967	Related Drawing S 24
----------------------	-------------------------

© CROWN COPYRIGHT

- NOTES: 1. Symbol details are given on drawing S 24.
2. The tile outline does not form part of the sign.
3. COLOURS : Background ----- BLUE
Symbol & Border ---- WHITE
4. DIMENSIONS : Those shown are in stroke widths (1sw = ¼ of notional x-heights). The table of sign sizes shows the actual sign heights and widths in millimetres.

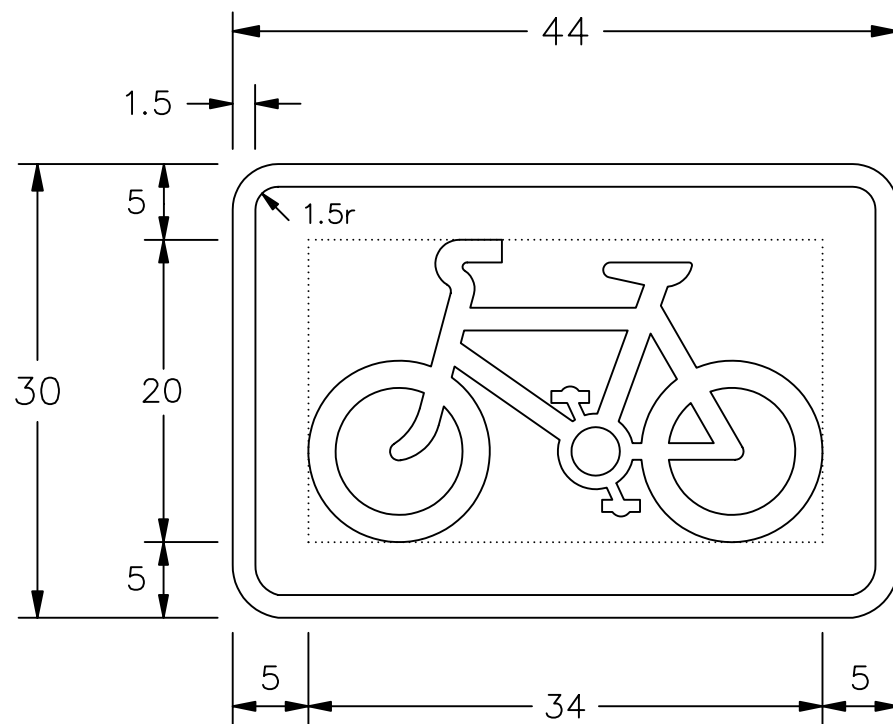


TABLE OF SIGN SIZES (mm)		
One Stroke Width	10	12.5
Height of Sign	300	375
Width of Sign	440	550

P967

Before using this drawing, confirm that it has not been superseded.

Department for Transport	Title:	Informatory Sign	Issue:	Date:	Drawn by:	Dimensions:	Drawing No.
		ROUTE FOR PEDAL CYCLES ON MAIN CARRIAGEWAY OF A ROAD	A:	8.7.94	S.P.	SEE NOTE 4	P 967
			B:	31.8.04	Approved by:		
			C:		R.M.		