

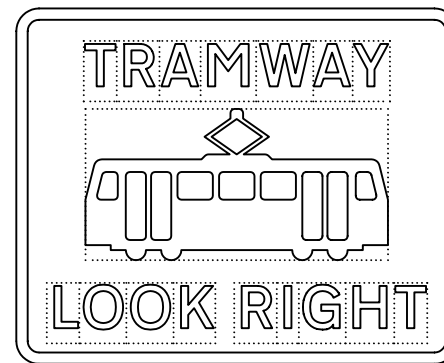
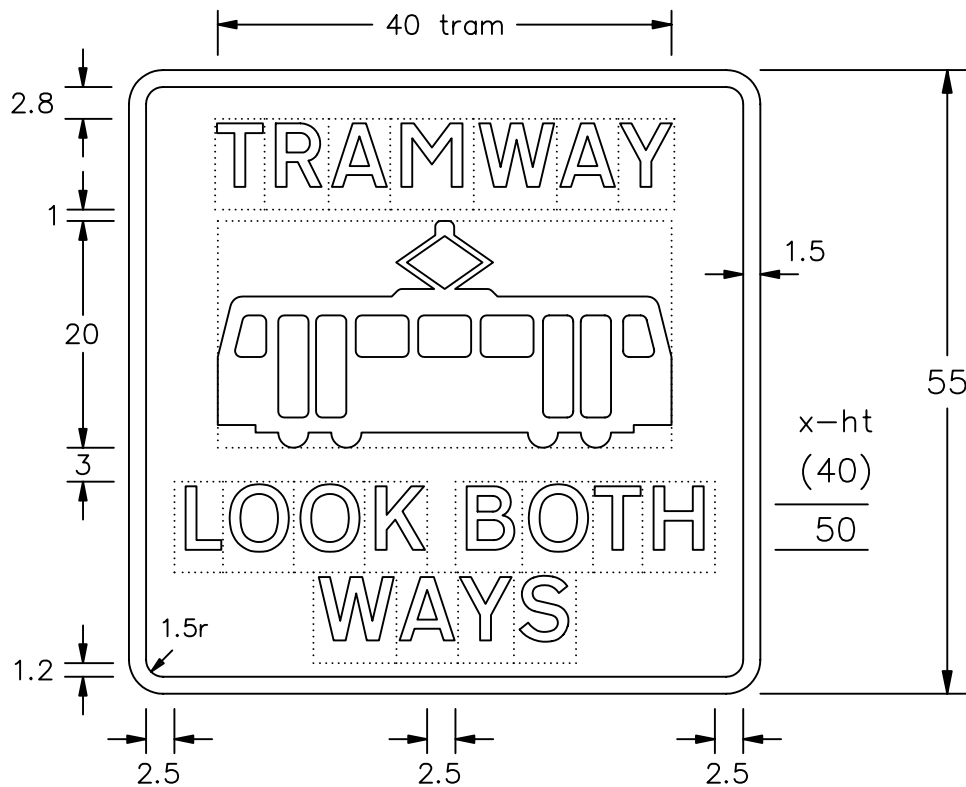
Drawing No.  
P 963.3

Related Drawing  
S 26

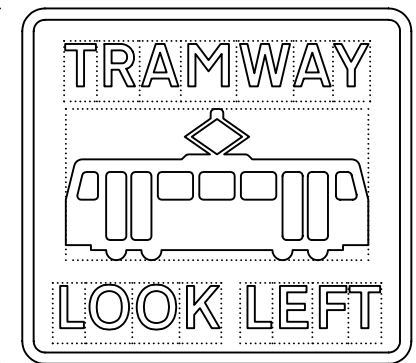
Before using this drawing, confirm that it has not been superseded.

© CROWN COPYRIGHT

- NOTES: 1. The legend is from the Transport Medium alphabet at the x-heights shown.
2. Symbol details are given on drawing S 26.
3. The tile outlines do not form part of the signs.
4. COLOURS : Background ----- BLUE  
Legend, Symbol & Border --- WHITE
5. DIMENSIONS : x-heights are in millimetres, other dimensions are in stroke widths. (4sw = x-height)



VARIANT



VARIANT

P963x3

Department for  
**Transport**

Title: Informatory Signs  
PEDESTRIAN SIGNS  
INDICATING TRAMWAYS

Issue: Date: Drawn by:  
A: 16.9.94 S.P.  
B: 7.9.04 Approved by:  
C: R.M.

Dimensions:  
SEE  
NOTE 5

Drawing No.  
P 963.3