

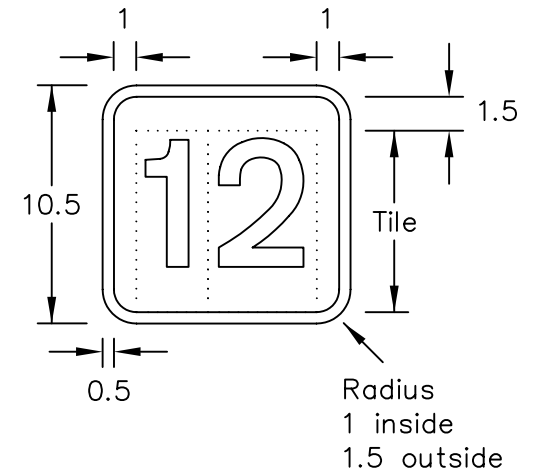
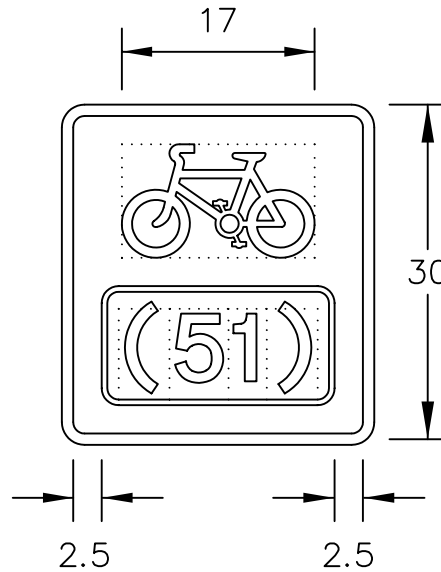
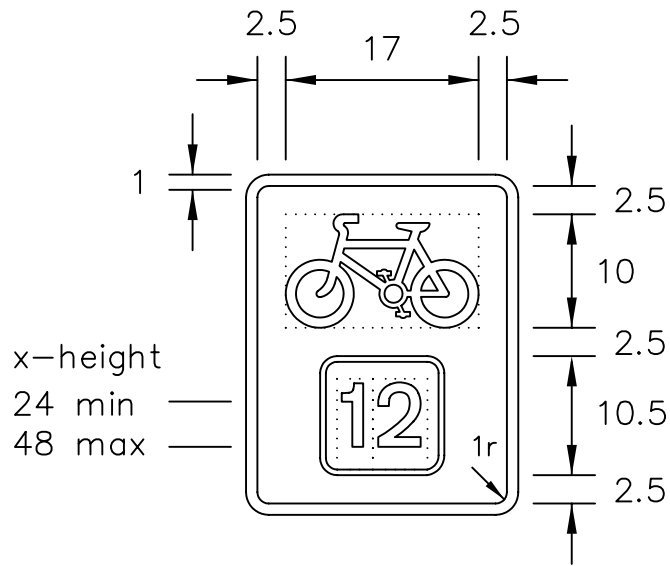
Drawing No.  
P 2602.2

Related Drawing  
S 24

Before using this drawing, confirm that it has not been superseded.

© CROWN COPYRIGHT

- NOTES: 1. Numerals are from the Transport Medium alphabet at the x-heights shown.
2. Cycle symbol details are given on drawing S 24.
3. The tile outlines do not form part of the signs.
4. COLOURS :  
 Background to main signs ----- BLUE  
 Numerals, Symbols & Borders ----- WHITE  
 Background to route number patches  
     National route ----- RED  
     Regional route ----- BLUE
5. DIMENSIONS : x-heights are in millimetres, other dimensions are in stroke widths. (4sw = x-height)



DETAILS OF ROUTE NUMBER PATCH

P2602x2

Department for  
**Transport**

Title: Cycle Route Signs  
NATIONAL CYCLE ROUTE NUMBER

Issue: Date: Drawn by: Dimensions:  
 A: 27.1.04 L.W.  
 B: Approved by: R.M.  
 C:

SEE  
NOTE 5

Drawing No.  
P 2602.2