

Drawing No.
P 820A

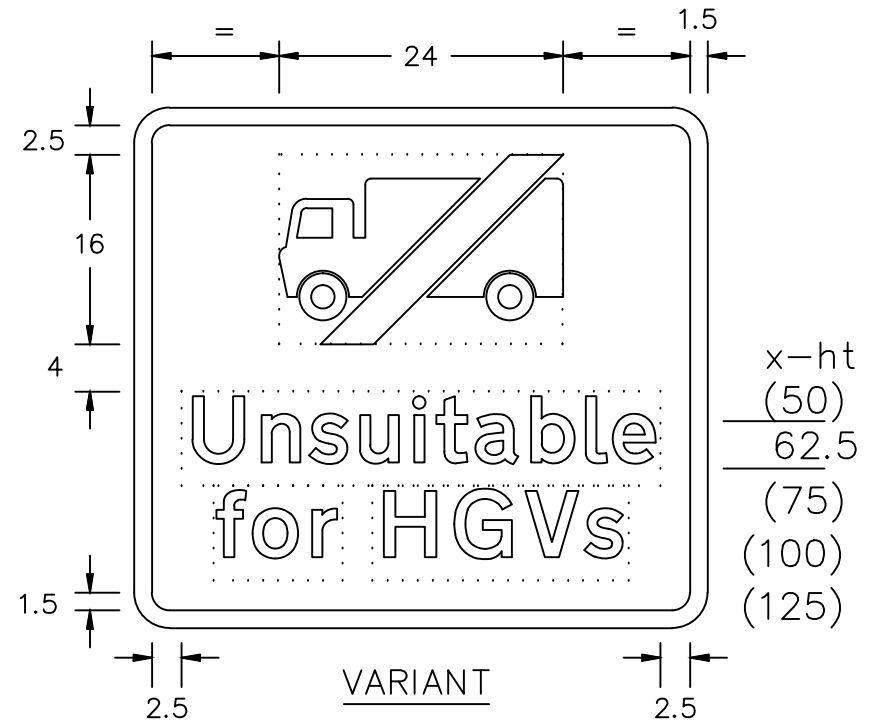
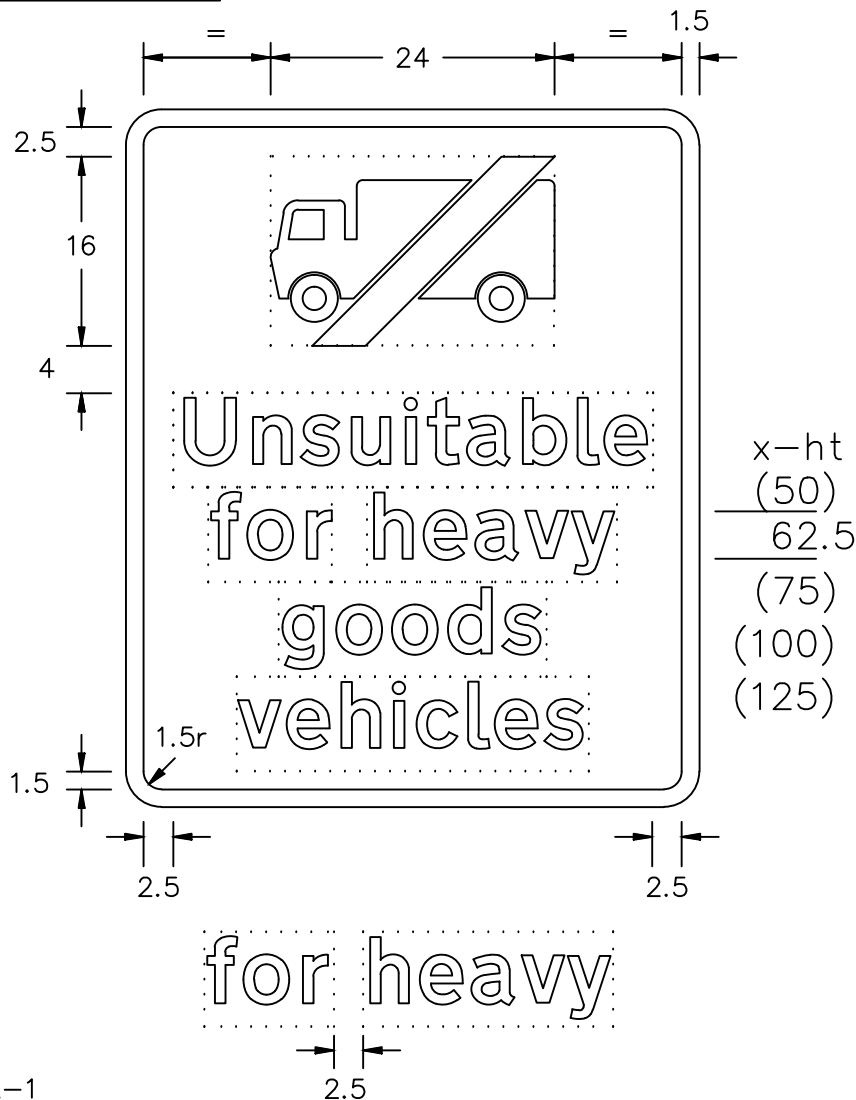
Sheet
1 of 2

Related Drawing
S 32

Before using this drawing, confirm
that it has not been superseded.

© CROWN COPYRIGHT

- NOTES: 1. The legend is from the Transport Medium alphabet at the x-heights shown.
2. Symbol details are given on drawing S 32. The tile outlines do not form part of the signs.
3. COLOURS: -
Background ----- BLUE
Legend, Arrow, Symbols & Border ----- WHITE
Diagonal bar ----- RED
4. DIMENSIONS : x-heights are in millimetres, other dimensions are in stroke widths. (4sw = x-height)
5. See sheet 2 for other variants.



P820A-1

Department for
Transport

Title: Informatory Signs
ROUTE UNSUITABLE FOR
HEAVY GOODS VEHICLES

Issue: Date:
A: 11.11.11
B:
C:

Drawn by :
A.K.
Approved by:
J.B.

Dimensions :
SEE
NOTE 4

Drawing No.
P 820A
Sheet 1 of 2

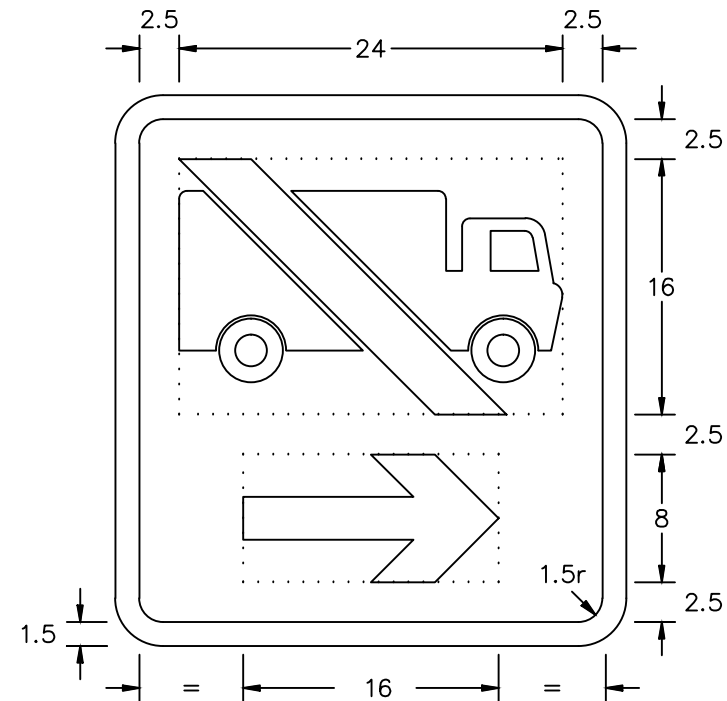
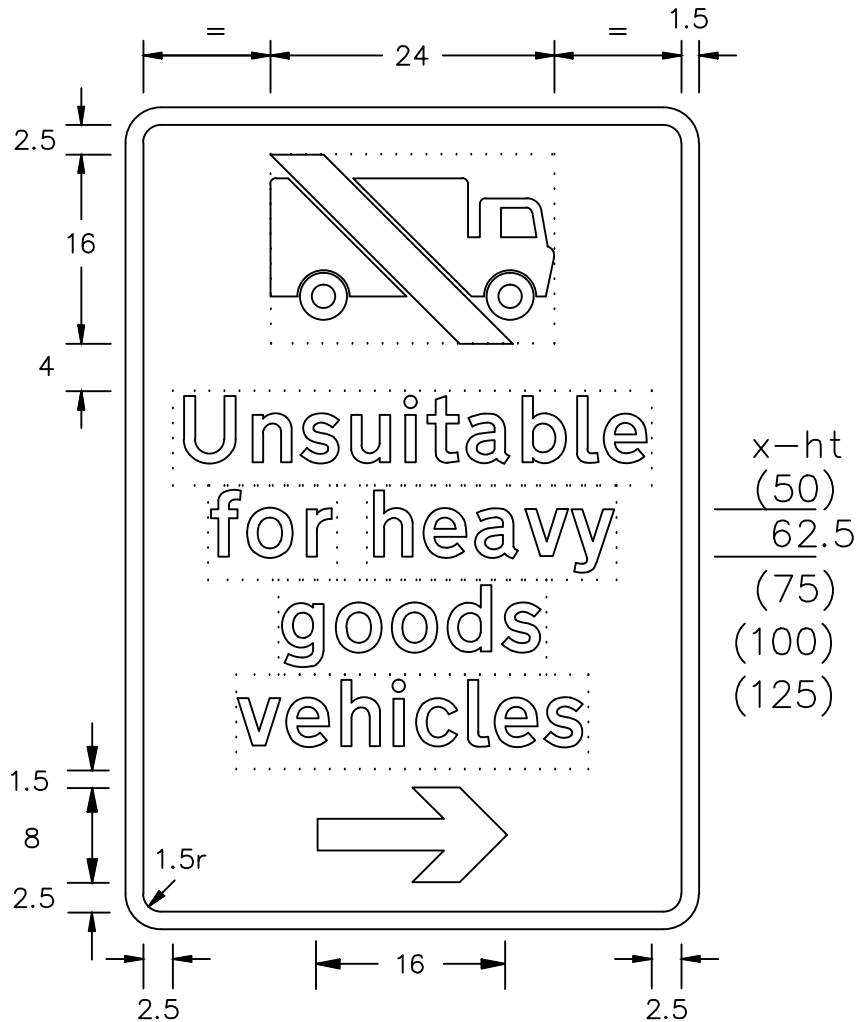
Drawing No.
P 820A Sheet 2 of 2

Related Drawing
S 32

Before using this drawing, confirm that it has not been superseded.

© CROWN COPYRIGHT

- NOTES: 1. The legend is from the Transport Medium alphabet at the x-heights shown.
2. Symbol details are given on drawing S 32. The tile outlines do not form part of the signs.
3. COLOURS: -
 Background ----- BLUE
 Legend, Arrow, Symbols & Border ----- WHITE
 Diagonal bar ----- RED
4. DIMENSIONS : x-heights are in millimetres, other dimensions are in stroke widths. (4sw = x-height)
5. See sheet 1 for other dimensions.



P820A-2

Department for Transport	Title: Informatory Signs ROUTE UNSUITABLE FOR HEAVY GOODS VEHICLES	Issue: A: B: C:	Date: 11.11.11	Drawn by: A.K. Approved by: J.B.	Dimensions: SEE NOTE 4	Drawing No. P 820A Sheet 2 of 2
-------------------------------------	--	-----------------------	----------------	-------------------------------------	------------------------	---------------------------------------