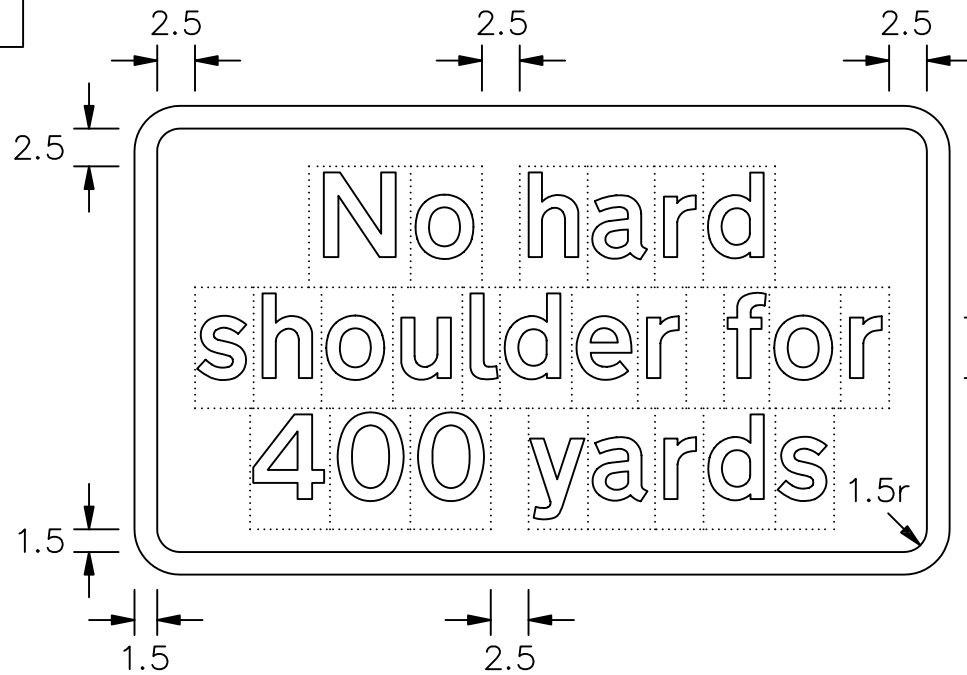


Drawing No.
P 820.1

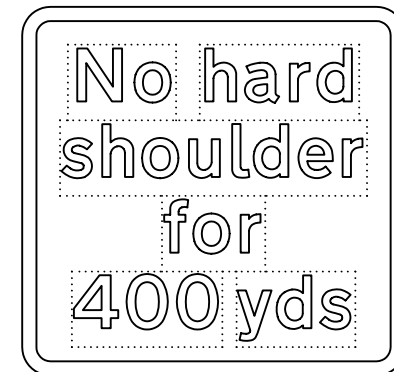
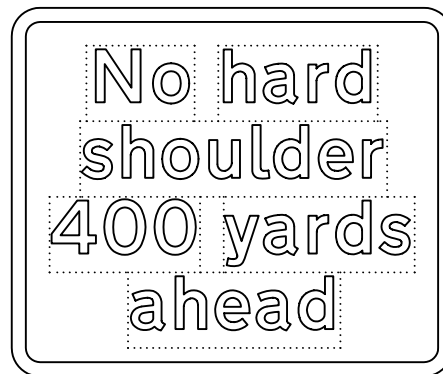
© CROWN COPYRIGHT



$$\frac{x-ht}{250 \text{ min}} \\ 400 \text{ max}$$

- NOTES: 1. The legend is from the Transport Medium alphabet at the x-heights shown.
2. The tile outlines do not form part of the signs.
3. COLOURS : Background ----- BLUE
Legend & Border ---- WHITE
4. DIMENSIONS : x-heights are in millimetres, other dimensions are in stroke widths. (4sw = x-height)

VARIANT



VARIANT

Before using this drawing, confirm that it has not been superseded.

P820x1

Department for
Transport

Title: Informatory Signs
ABSENCE OF HARD SHOULDER

Issue: Date: Drawn by:
A: 16.8.04 L.W.
B: Approved by:
C: R.M.

Dimensions:
SEE
NOTE 4

Drawing No.
P 820.1