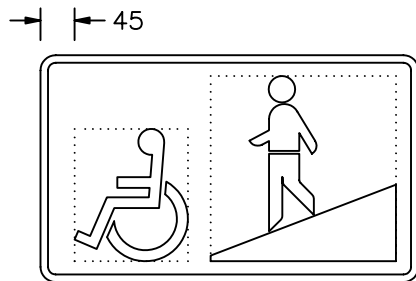
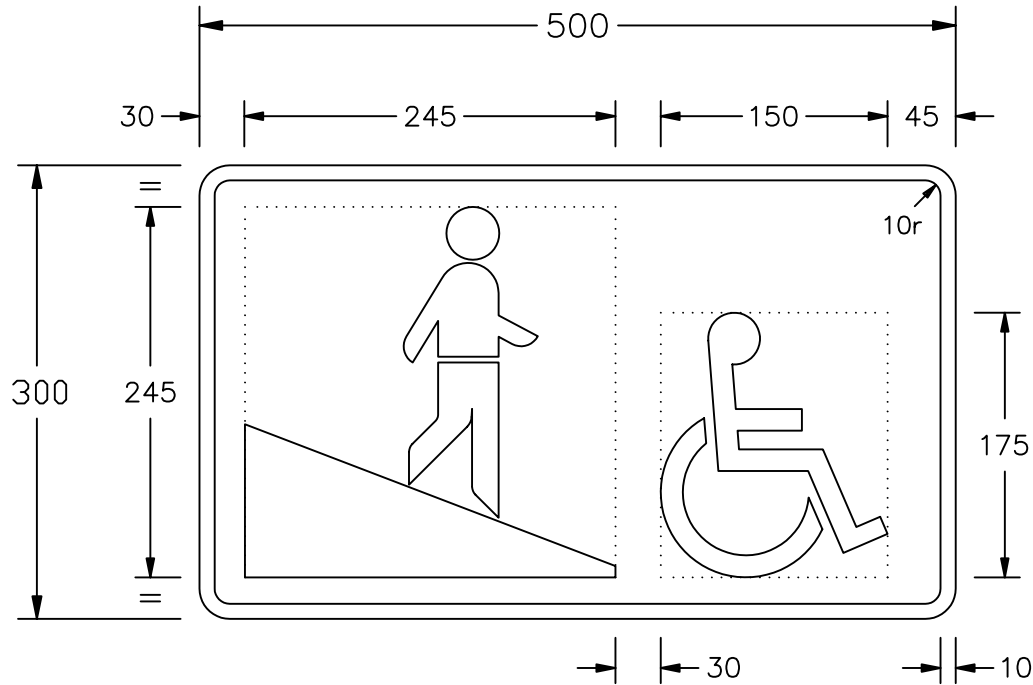


Drawing No.  
P 814.2

Related Drawings  
S 45 & S 51

© CROWN COPYRIGHT

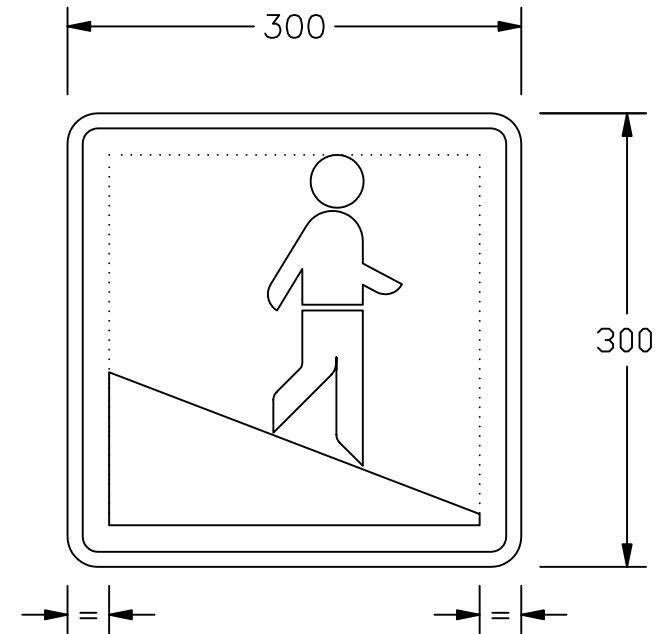
- NOTES: 1. Symbol details are given on drawings S 45 and S 51.  
 2. The tile outlines do not form part of the signs.  
 3. COLOURS : Background ----- BLUE  
 Symbols & Border --- WHITE



VARIANT



VARIANT



VARIANT

P814x2

Before using this drawing, confirm that it has not been superseded.

Department for  
**Transport**

Title: Informatory Signs  
RAMPED ENTRANCE TO  
PEDESTRIAN SUBWAY

Issue: Date:  
A: 11.7.94  
B: 27.2.04  
C:

Drawn by: S.P.  
Approved by: R.M.

Dimensions:  
MILLIMETRES

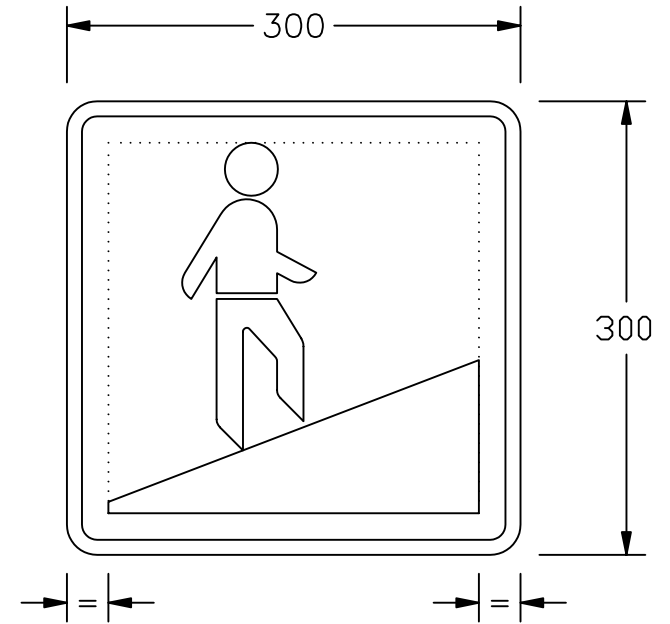
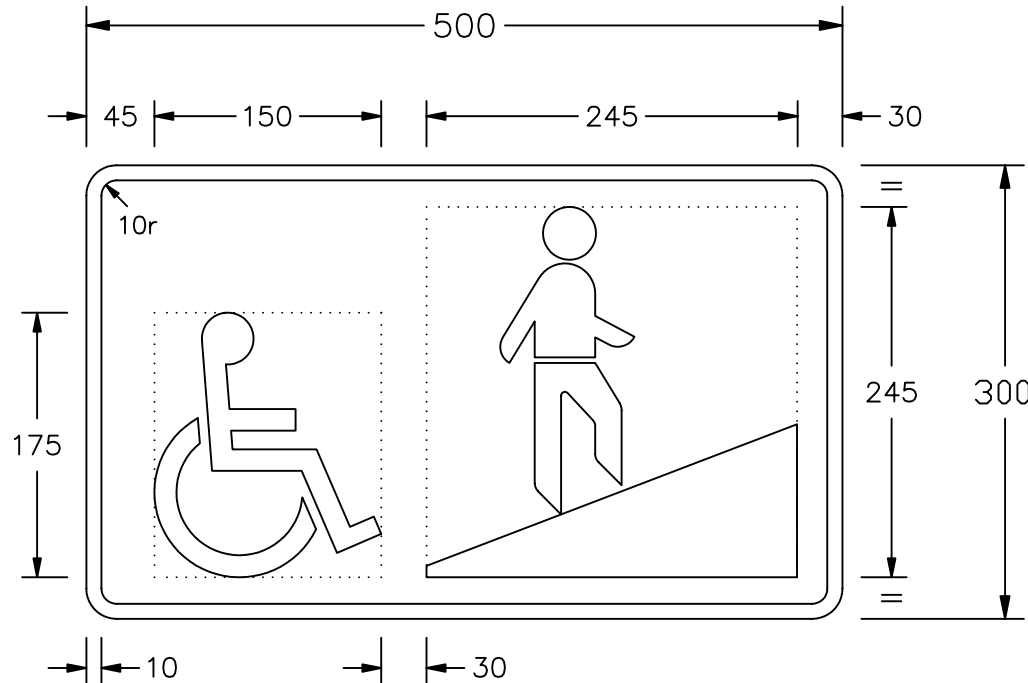
Drawing No.  
P 814.2

Drawing No.  
P 814.4

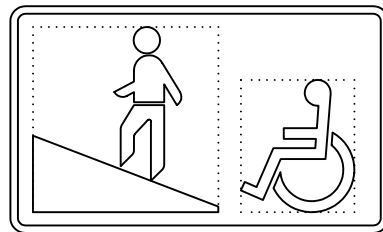
Related Drawings  
S 45 & S 51

© CROWN COPYRIGHT

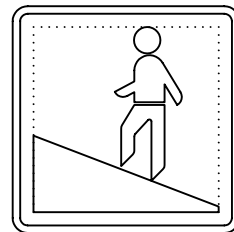
- NOTES: 1. Symbol details are given on drawings S 45 and S 51.  
 2. The tile outlines do not form part of the signs.  
 3. COLOURS : Background ----- BLUE  
 Symbols & Border --- WHITE



VARIANT



VARIANT



VARIANT

P814x4

Before using this drawing, confirm that it has not been superseded.

**Department for  
Transport**

Title: Informatory Signs  
 RAMPED APPROACH TO  
 PEDESTRIAN OVERBRIDGE

Issue: Date:  
 A: 11.7.94  
 B: 27.2.04  
 C:

Drawn by: S.P.  
 Approved by: R.M.

Dimensions:  
 MILLIMETRES

Drawing No.  
 P 814.4