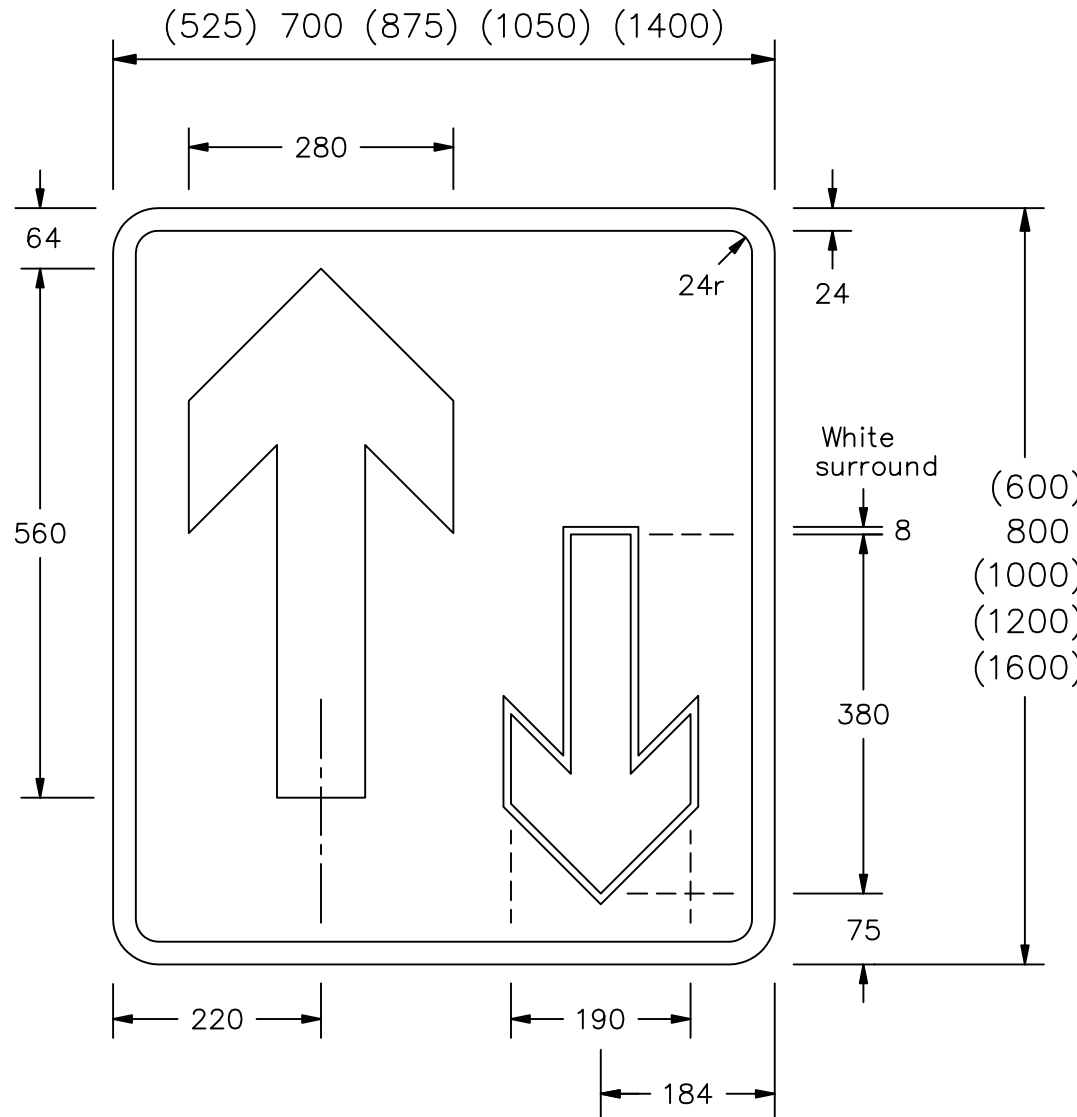


Drawing No.

P 811

© CROWN COPYRIGHT



NOTES: 1. All 800mm high sign dimensions shall be varied proportionally for the other sign sizes.

2. COLOURS :-

- Background ----- BLUE
- Large Arrow & Border ----- WHITE
- Small Arrow ----- RED
- Surround to Small Arrow ---- WHITE

P811

Before using this drawing, confirm that it has not been superseded.

**Department for
Transport**

Title: Informatory Sign
PRIORITY OVER VEHICLES FROM
THE OPPOSITE DIRECTION

Issue: Date:
A: 11.7.94
B: 19.2.04
C:

Drawn by: S.P.
Approved by: R.M.

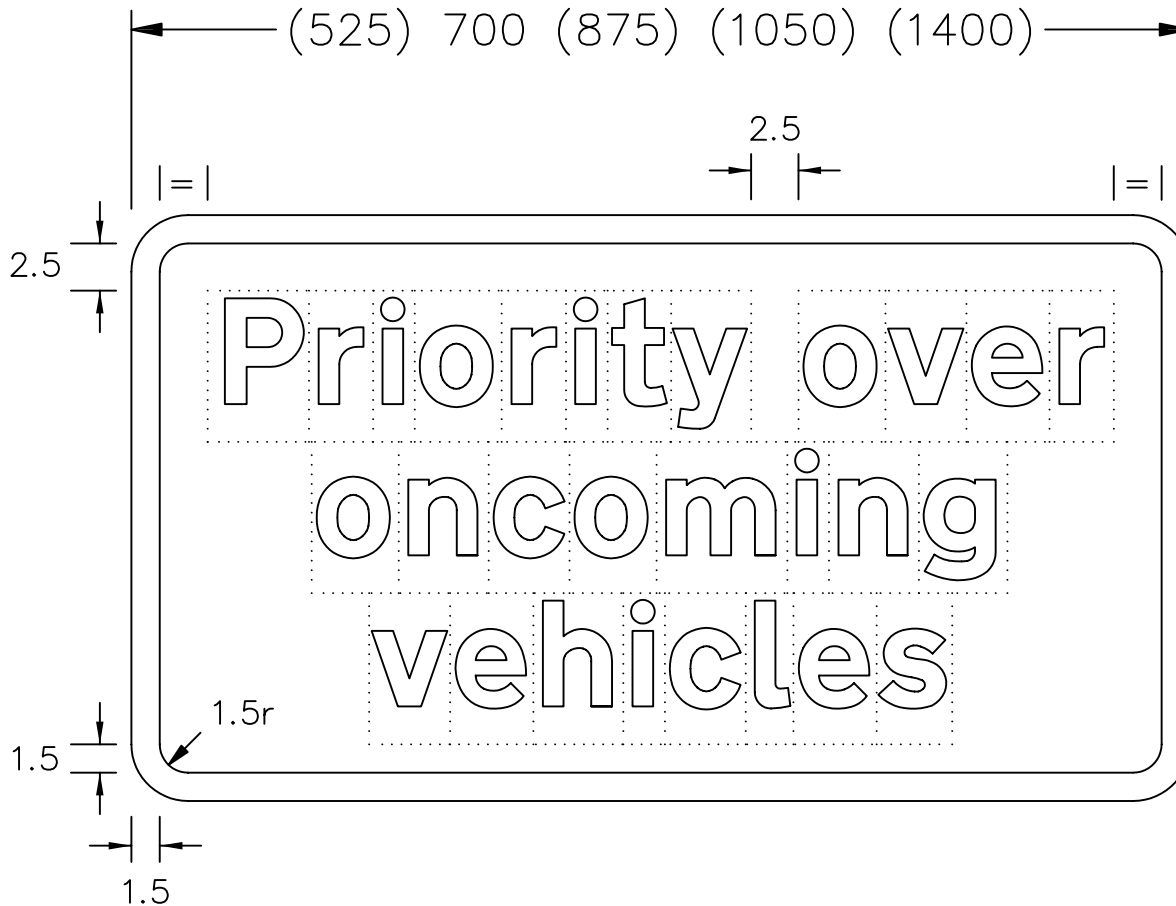
Dimensions:
MILLIMETRES

Drawing No.
P 811

Drawing No.
P 811.1

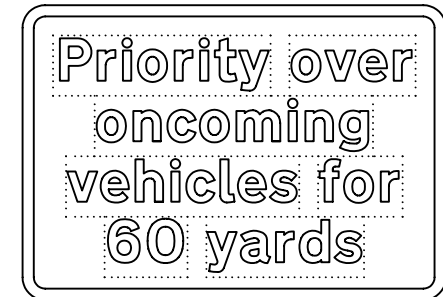
© CROWN COPYRIGHT

- NOTES: 1. The legend is from the Transport Heavy alphabet at the x-heights shown.
2. The tile outlines do not form part of the signs.
3. COLOURS : Background ----- WHITE
Legend & Border---- BLACK
4. DIMENSIONS : Overall sign width and x-heights are in millimetres, other dimensions are in stroke widths. (4sw = x-height)



(37.5)

50 x-ht
(62.5)
(75)
(100)



VARIANT

P811x1

Before using this drawing, confirm that it has not been superseded.

**Department for
Transport**

Title: Informatory Signs
EXPLANATORY PLATE FOR P 811

Issue: Date: Drawn by:
A: 11.7.94 S.P.
B: 20.2.04 Approved by:
C: R.M.

Dimensions:
SEE
NOTE 4

Drawing No.
P 811.1