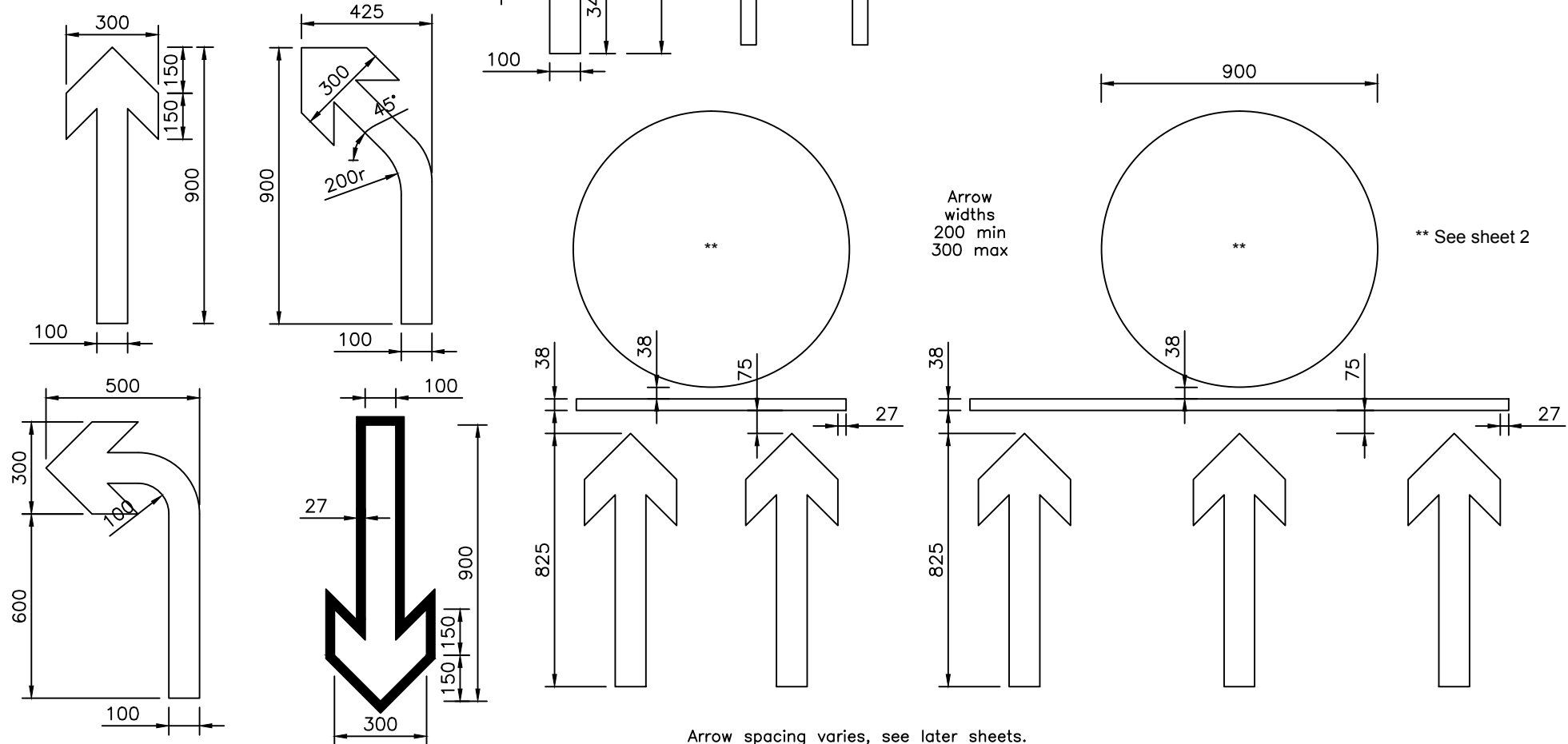




Mirror image versions of the symbols shown below

- NOTES: 1. COLOURS : Arrows & linking lines BLACK
Bar (shown shaded) RED
2. DIMENSIONS : All dimensions are based on the 300mm arrow and shall be varied proportionally for the other arrow dimensions.



Arrow spacing varies, see later sheets.

Before using this drawing, confirm that it has not been superseded.

P7244

<p>Title: Temporary Signs TEMPORARY LANE USAGE</p>	<p>Issue: Date : A: 22.04.16 B: C:</p>	<p>Drawn by : A.K. Approved by: J.B.</p>	<p>Related drawings :</p>	<p>Dimensions : MILLIMETRES</p>	<p>Drawing No. P 7244 Sheet 1 of 12</p>
---	--	--	---------------------------	-------------------------------------	--



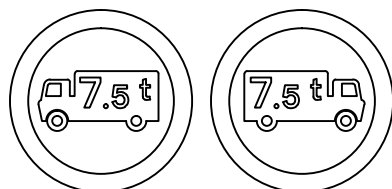
Typical regulatory roundels and symbols which may be included in P7244 signs

Arrow widths	x-ht
200 min	100 min
300 max	150 max

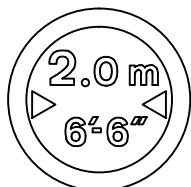
- NOTES:
1. COLOURS : Roundel colours shall be as shown on the relevant P series drawing.
 2. DIMENSIONS : All dimensions are based on the 150mm x-height and shall be varied proportionally for the smaller x-heights.
 3. When the sign contains a regulatory roundel the x-ht of the sign shall be:

x-ht	Regulatory sign diameter
100	600
125	750
150	900
 4. The minimum diameter of a sign to P 622.1A, P 629A and P 629.2A shall be 750mm.

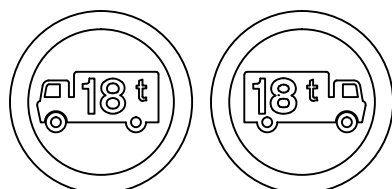
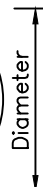
P 622.1A



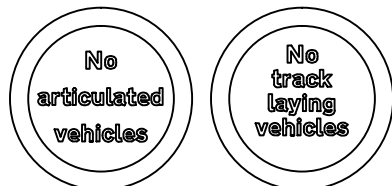
P 629A



P 629.2A



P 622.4



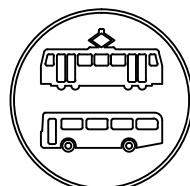
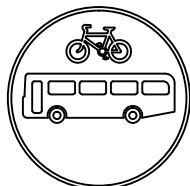
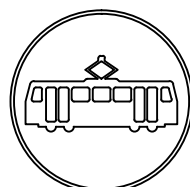
P 622.8



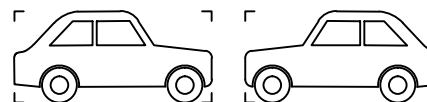
P 953



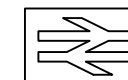
P 953.1



S16



S38



S23



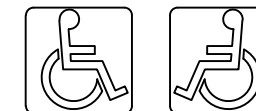
S43



S30



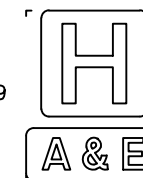
S45



S32



S49



P7244

Before using this drawing, confirm that it has not been superseded.

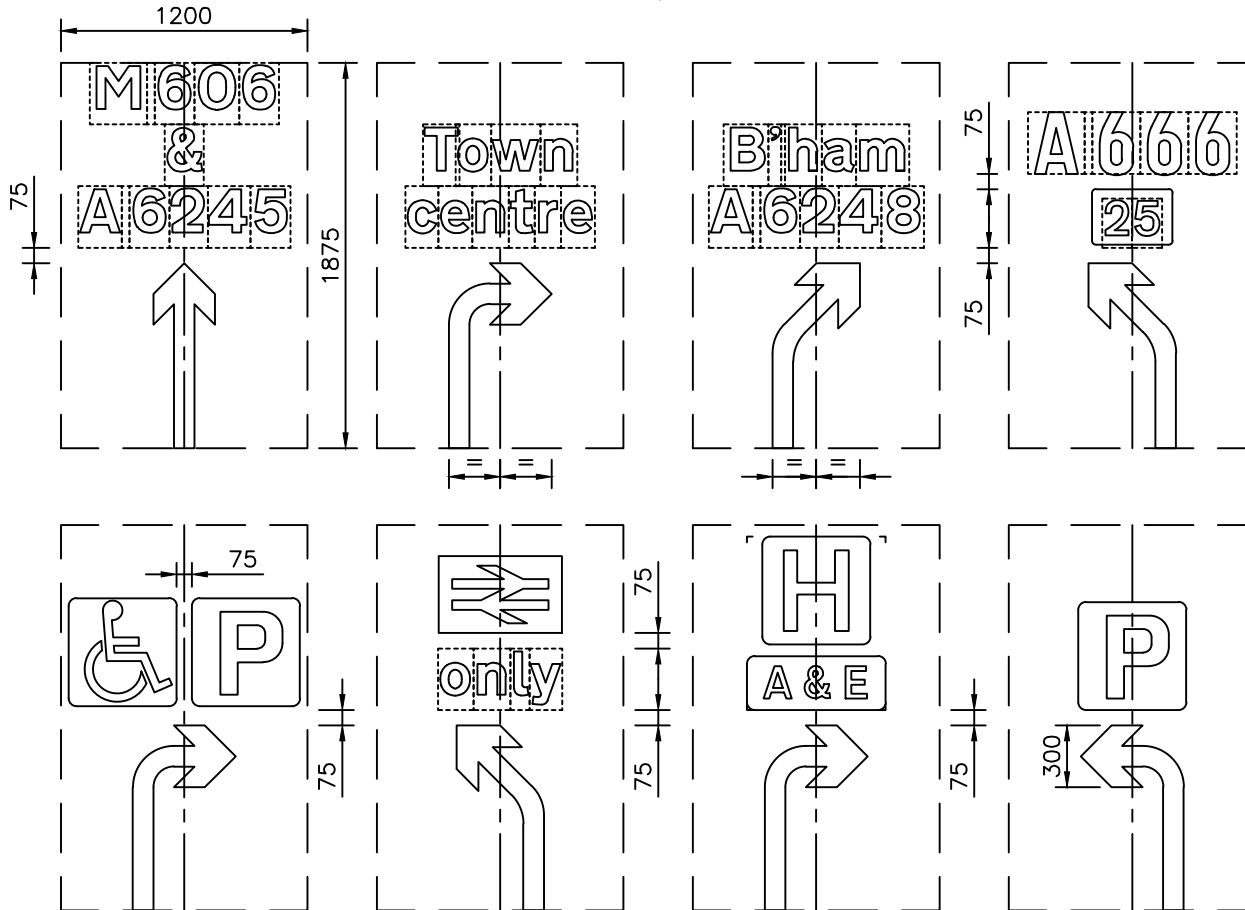
Title : Temporary Signs TEMPORARY LANE USAGE	Issue: Date : A: 22.04.16 B: C:	Drawn by : A.K. Approved by : J.B.	Related drawings : P622.1A, P629A, P629.2A, P622.4, P622.8, P953, P953.1, S16, S23, S30, S32, S38, S43, S45, S49.	Dimensions : MILLIMETRES	Drawing No. P 7244 Sheet 2 of 12
--	--	---	---	---------------------------------	--



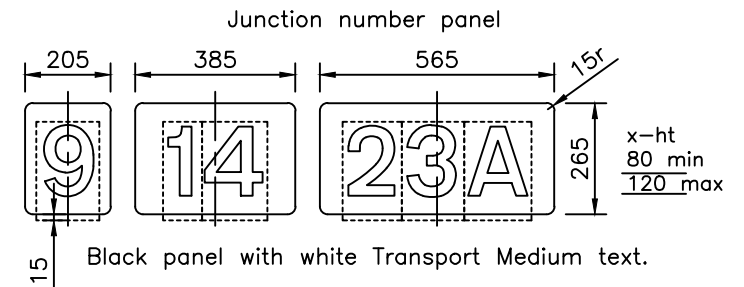
Arrow widths	x-ht
200 min	100 min
300 max	150 max

- NOTES:
- COLOURS : Symbols BLACK (unless otherwise indicated)
 - DIMENSIONS : All dimensions are based on the 300mm arrow and shall be varied proportionally for the other arrow dimensions.
 - Details of individual symbols are given on the relevant S series drawing.
 - White text is from the Transport Medium alphabet.
 - Black text is from the Transport Heavy alphabet.
 - The tile outlines do not form part of the signs.

EXAMPLE SYMBOL/ARROW LAYOUTS



Arrow/text/symbol element envelope (not part of finished sign)



P7244

Before using this drawing, confirm that it has not been superseded.

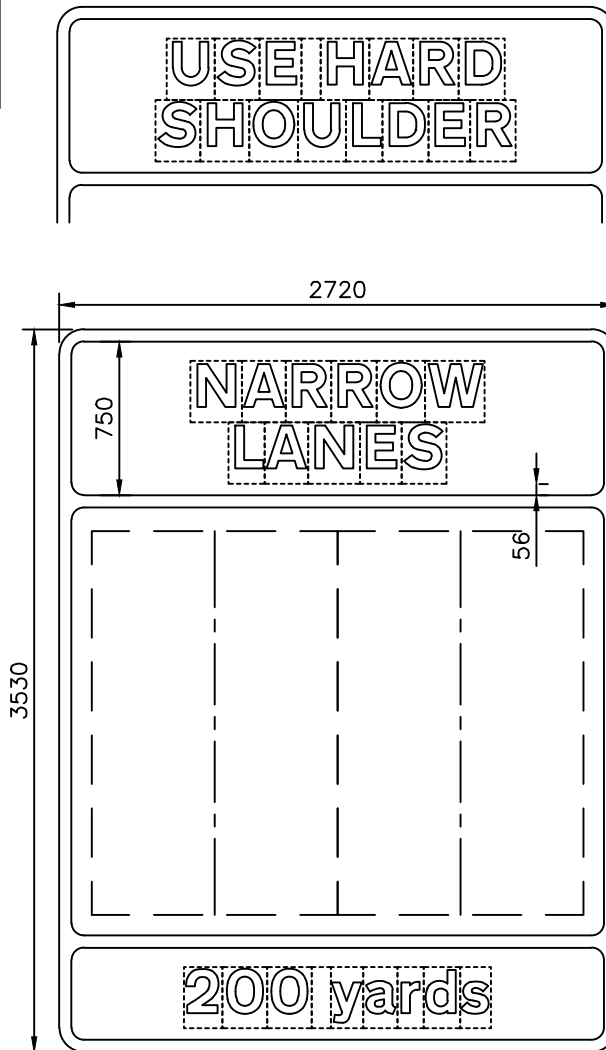
<p>Title : Temporary Signs</p> <p>TEMPORARY LANE USAGE</p>	<p>Issue: Date:</p> <p>A: 22.04.16</p> <p>B:</p> <p>C:</p>	<p>Drawn by : A.K.</p> <p>Approved by: J.B.</p>	<p>Related drawings :</p>	<p>Dimensions : MILLIMETRES</p>	<p>Drawing No. P 7244</p> <p>Sheet 3 of 12</p>
--	--	---	---------------------------	---------------------------------	--



Department
for Transport

© CROWN COPYRIGHT

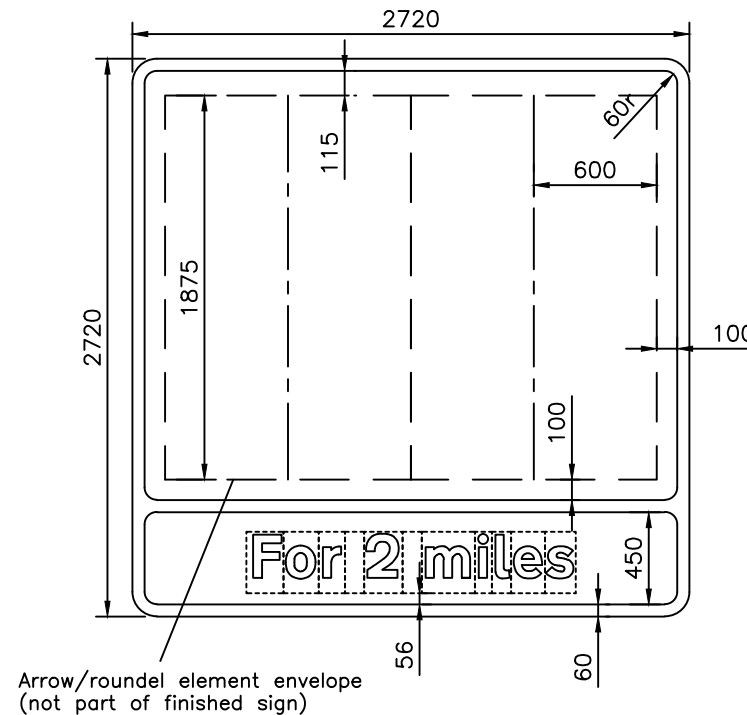
Alternative top panel



Arrow
widths
200 min
300 max

x-ht
100 min
150 max

- NOTES:
1. The legend is from the Transport Heavy alphabet at the x-heights shown.
 2. The tile outlines do not form part of the signs.
 3. COLOURS : Border and text BLACK
Background YELLOW
 4. DIMENSIONS : All dimensions are based on an x-height of 150mm and shall be varied proportionally for other x-heights.



Arrow/roundel element envelope
(not part of finished sign)

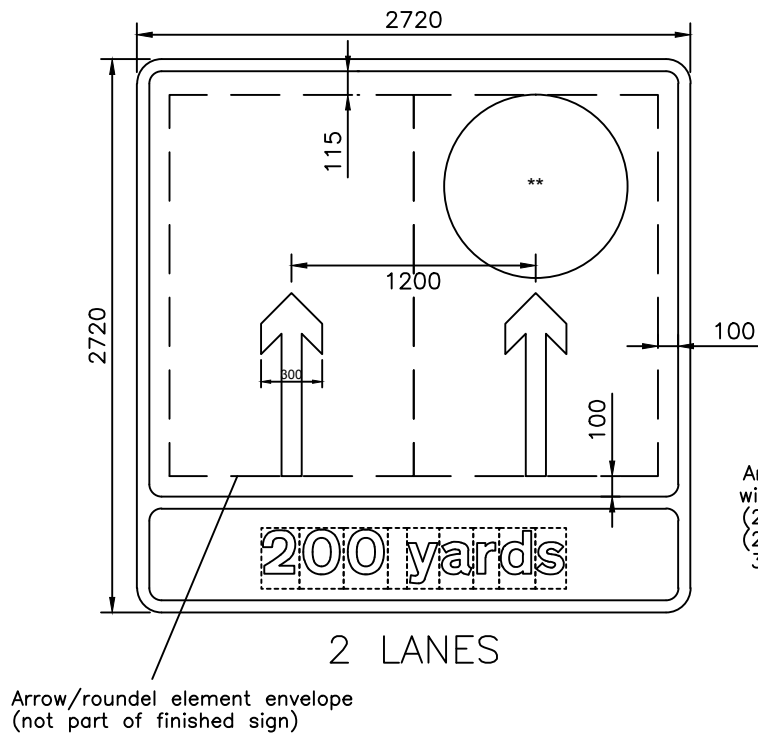
Before using this drawing, confirm
that it has not been superseded.

P7244

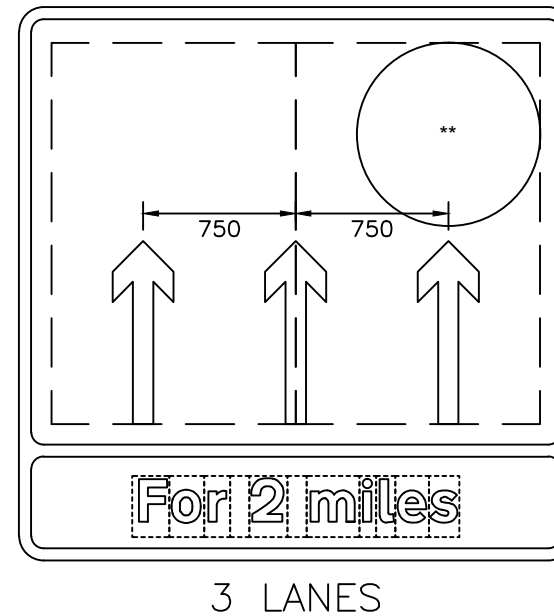
<p>Title : Temporary Signs TEMPORARY LANE USAGE</p>	<p>Issue: Date : A: 22.04.16 B: C:</p>	<p>Drawn by : A.K. Approved by: J.B.</p>	<p>Related drawings :</p>	<p>Dimensions : MILLIMETRES</p>	<p>Drawing No. P 7244 Sheet 4 of 12</p>
--	--	--	---------------------------	--	--



- NOTES: 1. The legend is from the Transport Heavy alphabet at the x-heights shown.
2. The tile outlines do not form part of the signs.
3. COLOURS : Border, arrows and text BLACK
Background YELLOW
4. DIMENSIONS : All dimensions are based on an x-height of 150mm and shall be varied proportionally for other x-heights.



Arrow widths x-ht
(200) (100)
(250) (125)
300 150



** See sheet 2

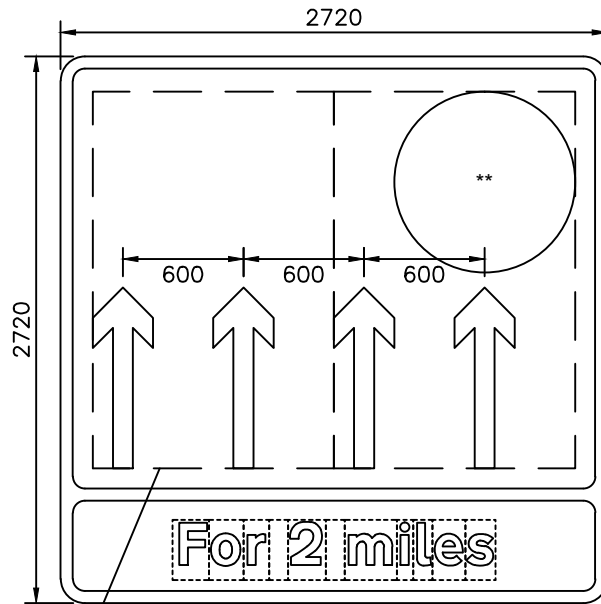
P7244

Before using this drawing, confirm that it has not been superseded.

<p>Title: Temporary Signs</p> <p>TEMPORARY LANE USAGE</p>	<p>Issue: Date:</p> <p>A: 22.04.16</p> <p>B:</p> <p>C:</p>	<p>Drawn by :</p> <p>A.K.</p> <p>Approved by:</p> <p>J.B.</p>	<p>Related drawings :</p>	<p>Dimensions :</p> <p>MILLIMETRES</p>	<p>Drawing No.</p> <p>P 7244</p> <p>Sheet 5 of 12</p>
--	--	---	---------------------------	--	---



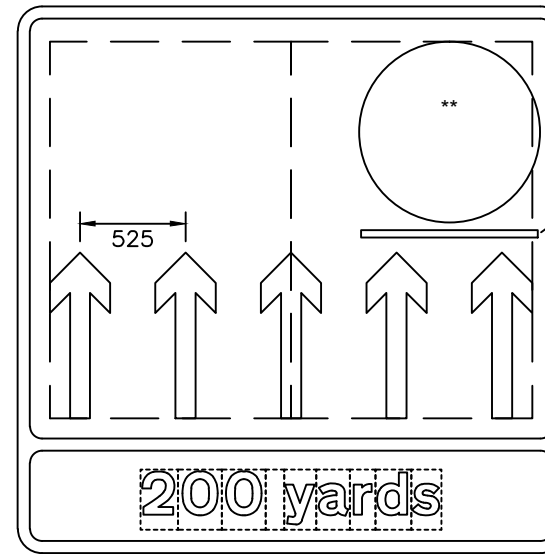
- NOTES: 1. The legend is from the Transport Heavy alphabet at the x-heights shown.
2. The tile outlines do not form part of the signs.
3. COLOURS : Border, arrows, text and horizontal linking lines BLACK
Background YELLOW
4. DIMENSIONS : All dimensions are based on an x-height of 150mm and shall be varied proportionally for other x-heights.



4 LANES

Arrow/roundel element envelope
(not part of finished sign)

Arrow widths	x-ht
(200)	(100)
(250)	(125)
300	150



5 LANES

** See sheet 2

N.B. Roundel and linking bar project outside of arrow/roundel envelope.

P7244

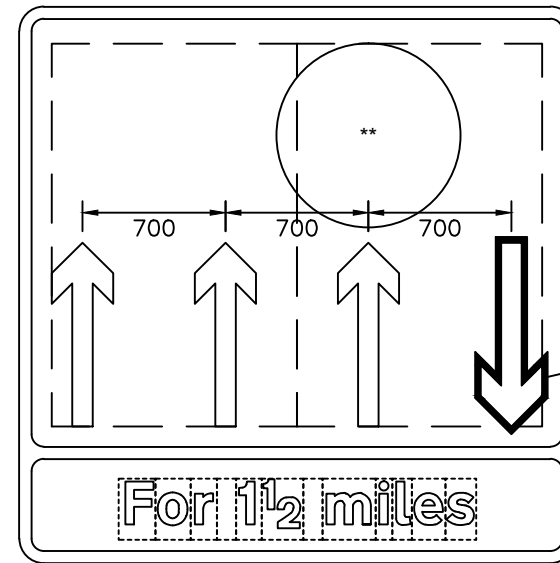
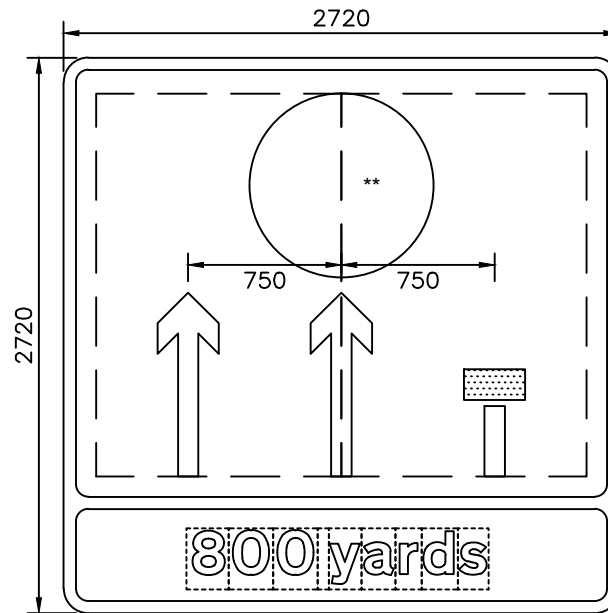
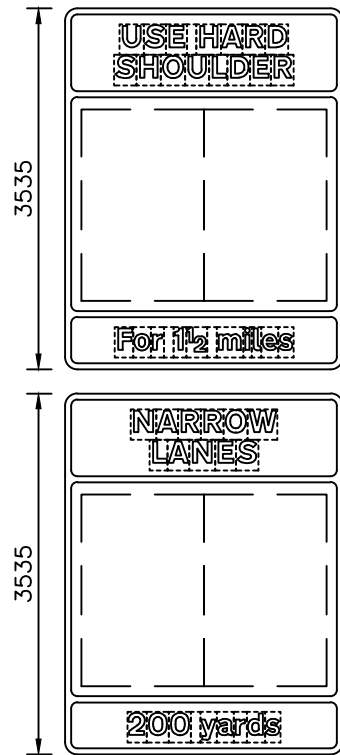
Before using this drawing, confirm that it has not been superseded.

Title:	Temporary Signs	Issue: Date:	Drawn by :	Related drawings :	Dimensions :	Drawing No.
	TEMPORARY LANE USAGE	A: 22.04.16	A.K.		MILLIMETRES	P 7244
		B:	Approved by:			Sheet 6 of 12
		C:	J.B.			



- NOTES: 1. The legend is from the Transport Heavy alphabet at the x-heights shown.
2. The tile outlines do not form part of the signs.
3. COLOURS : Border, arrows and text BLACK
Background YELLOW
Bar (shown shaded) RED
4. DIMENSIONS : All dimensions are based on an x-height of 150mm and shall be varied proportionally for other x-heights.

A top panel may be added as indicated below



** See sheet 2

N.B. Outline of downward arrow is located outside of arrow/roundel envelope.

Arrow widths	x-ht
(200)	(100)
(250)	(125)
300	150

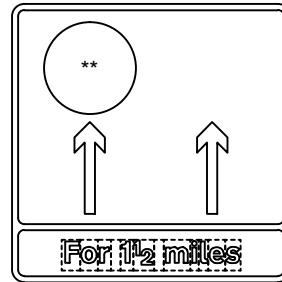
P7244

Before using this drawing, confirm that it has not been superseded.

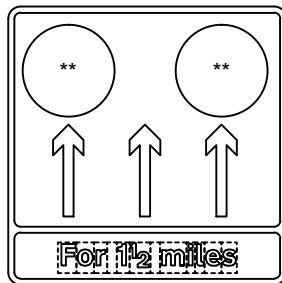
Title : TEMPORARY LANE USAGE	Temporary Signs	Issue: Date : A: 22.04.16 B: C:	Drawn by : A.K. Approved by: J.B.	Related drawings :	Dimensions : MILLIMETRES	Drawing No. P 7244 Sheet 7 of 12
---------------------------------	-----------------	--	--	--------------------	-----------------------------	--



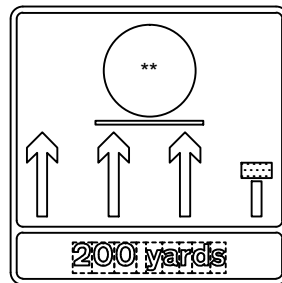
EXAMPLE SIGN FACE LAYOUTS



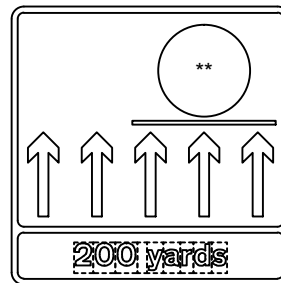
2 LANES



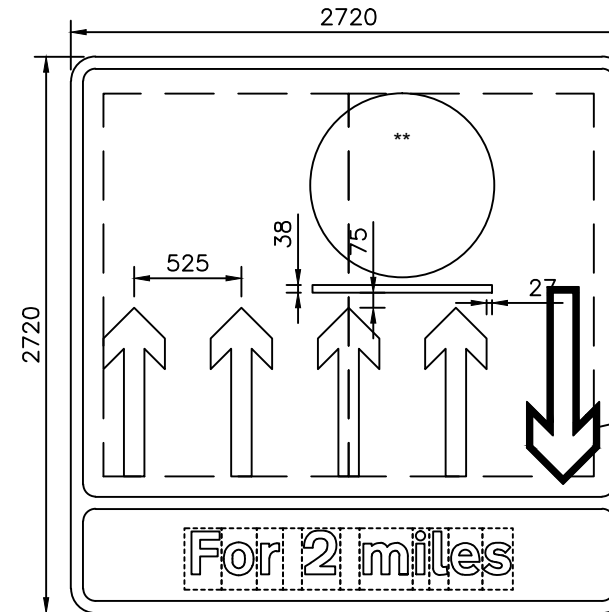
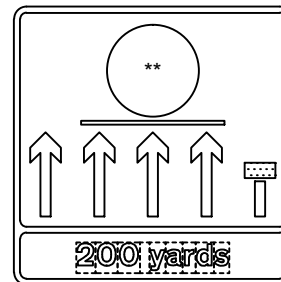
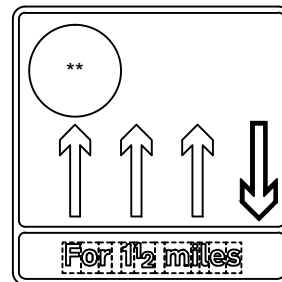
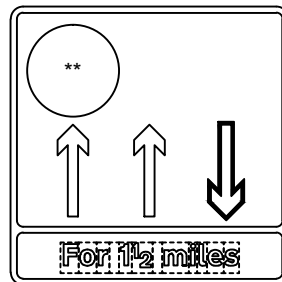
3 LANES



4 LANES



5 LANES



5 LANES

- NOTES:
1. The legend is from the Transport Heavy alphabet at the x-heights shown.
 2. The tile outlines do not form part of the signs.
 3. COLOURS : Upwards Arrows, border, text BLACK and horizontal linking line WHITE
Downward Arrow BLACK
Downward Arrow Outline YELLOW
Background YELLOW
 4. DIMENSIONS : All dimensions are based on the 300mm arrow and shall be varied proportionally for the other arrow dimensions.

** See sheet 2

N.B. Outline of downward arrow is located outside of arrow/roundel envelope.

Arrow widths	x-ht
(200)	(100)
(250)	(125)
300	150

P7244

Before using this drawing, confirm that it has not been superseded.

Title:	Temporary Signs	Issue:	Date:	Drawn by :	Related drawings :	Dimensions :	Drawing No.
	TEMPORARY LANE USAGE	A:	22.04.16	A.K.		MILLIMETRES	P 7244
		B:		Approved by:			Sheet 8 of 12
		C:		J.B.			

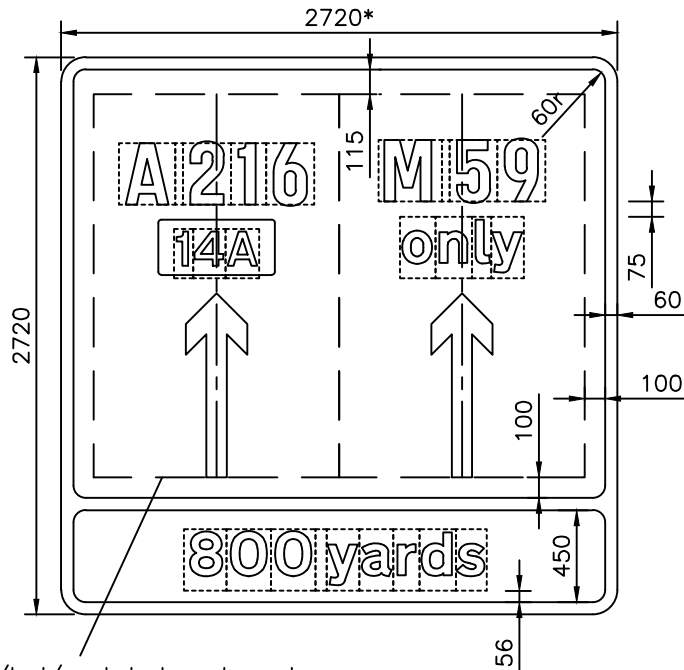


Arrow widths	x-ht
200 min	100 min
300 max	150 max

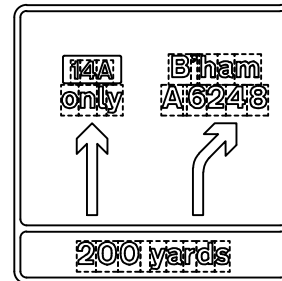
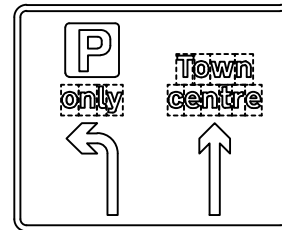
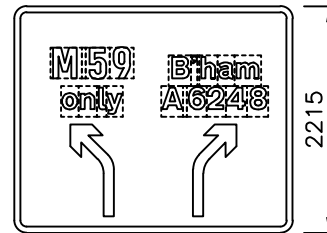
- NOTES:
1. The legend is from the Transport Heavy alphabet or Motorway Black alphabet at the x-heights shown.
 2. The tile outlines do not form part of the signs.
 3. COLOURS : Border, arrows and text BLACK
Background YELLOW
 4. DIMENSIONS : All dimensions are based on an x-height of 150mm and shall be varied proportionally for other x-heights.

2 LANES

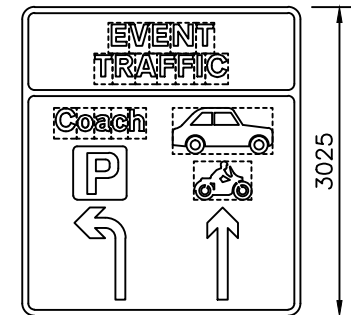
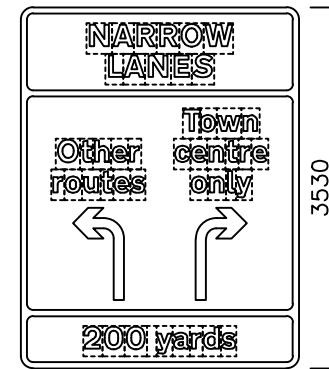
* Dimension may be increased in increments of 600mm EXAMPLE SIGN FACE LAYOUTS



Arrow/text/symbol element envelope (not part of finished sign)



Top and/or bottom panel may be added as indicated below.



P7244

Before using this drawing, confirm that it has not been superseded.

Title:	Temporary Signs	Issue: Date:	Drawn by :	Related drawings :	Dimensions :	Drawing No.
	TEMPORARY LANE USAGE	A: 22.04.16	A.K.		MILLIMETRES	P 7244
		B:	Approved by:			Sheet 9 of 12
		C:	J.B.			

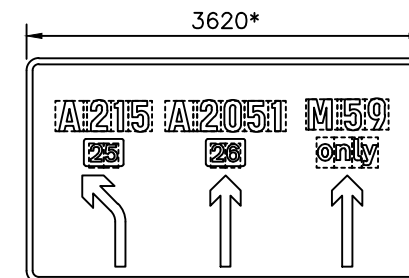
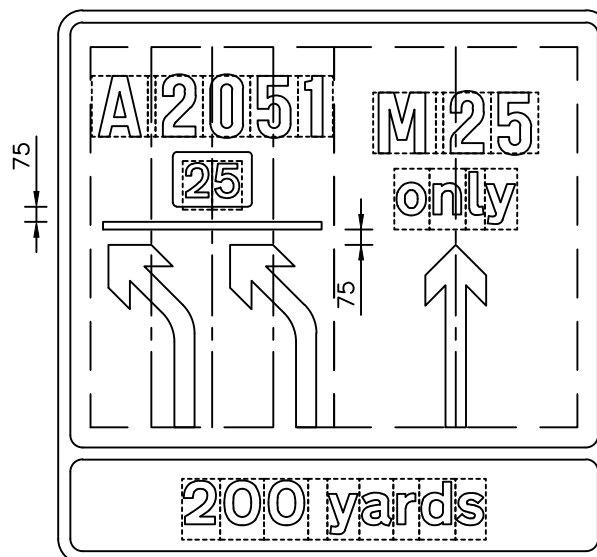
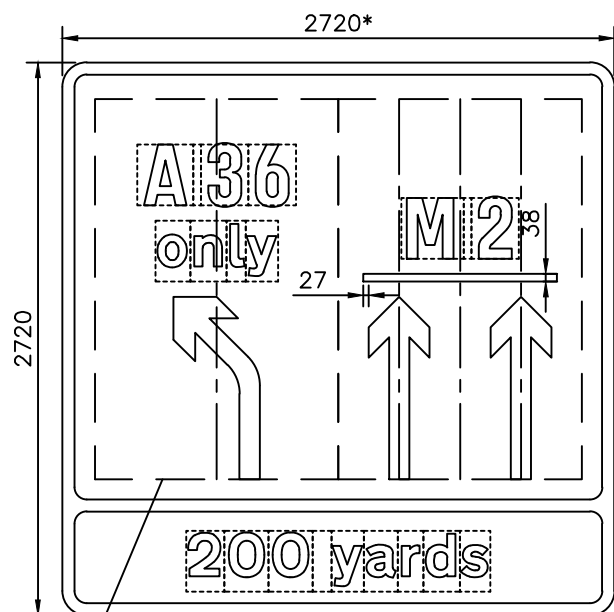


Arrow widths	x-ht
200 min	100 min
300 max	150 max

- NOTES:
1. The legend is from the Transport Heavy alphabet or Motorway Black alphabet at the x-heights shown.
 2. The tile outlines do not form part of the signs.
 3. COLOURS : Border, arrows, text and horizontal linking lines BLACK
Background YELLOW
 4. DIMENSIONS : All dimensions are based on an x-height of 150mm and shall be varied proportionally for other x-heights.

3 LANES

* Dimension may be increased in increments of 600mm



Arrow/roundel element envelope (not part of finished sign)

P7244

Before using this drawing, confirm that it has not been superseded.

<p>Title : Temporary Signs TEMPORARY LANE USAGE</p>	<p>Issue: Date : A: 22.04.16 B: C:</p>	<p>Drawn by : A.K. Approved by: J.B.</p>	<p>Related drawings :</p>	<p>Dimensions : MILLIMETRES</p>	<p>Drawing No. P 7244 Sheet 10 of 12</p>
--	--	--	---------------------------	--	---

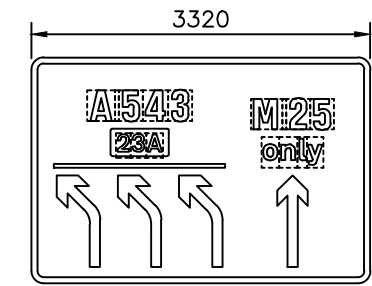
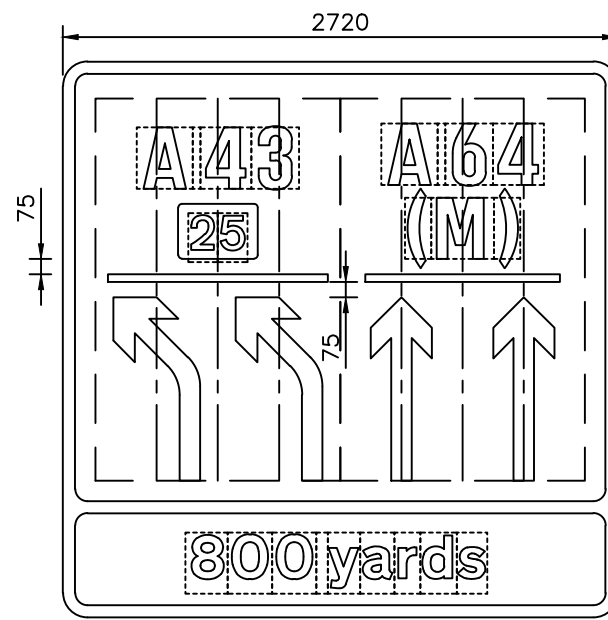
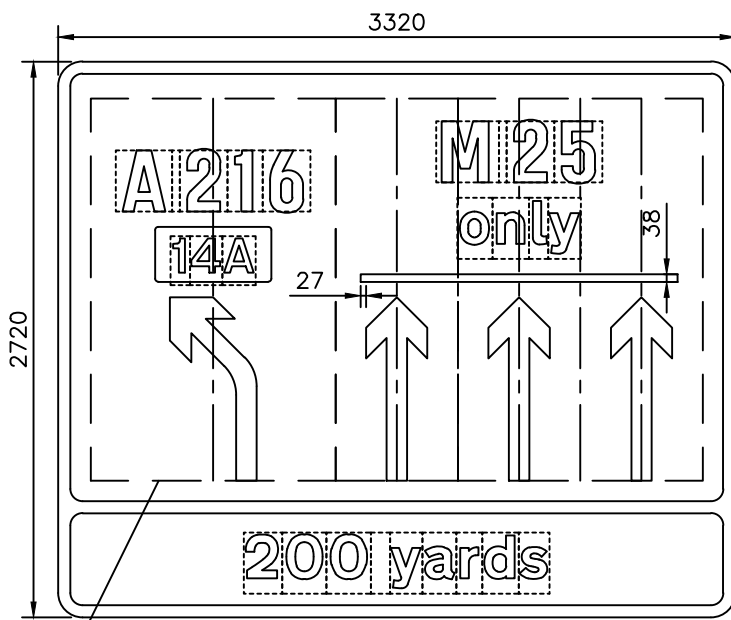


Arrow widths
200 min
300 max

x-ht
100 min
150 max

- NOTES:
1. The legend is from the Transport Heavy alphabet or Motorway Black alphabet at the x-heights shown.
 2. The tile outlines do not form part of the signs.
 3. COLOURS : Border, arrows, text and horizontal linking lines BLACK
Background YELLOW
 4. DIMENSIONS : All dimensions are based on an x-height of 150mm and shall be varied proportionally for other x-heights.

4 LANES



Arrow/roundel element envelope
(not part of finished sign)

P7244

Before using this drawing, confirm that it has not been superseded.

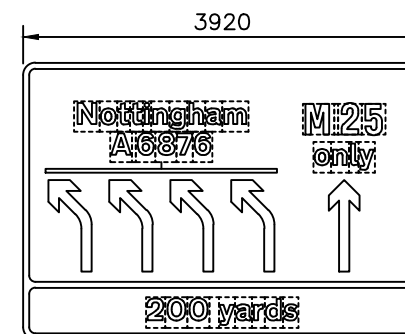
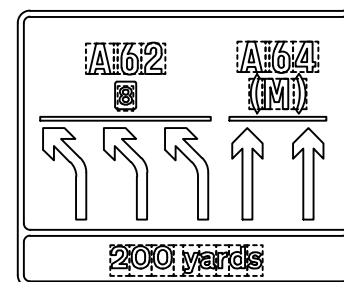
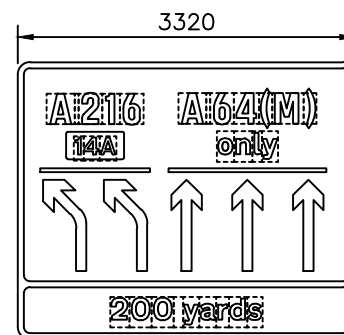
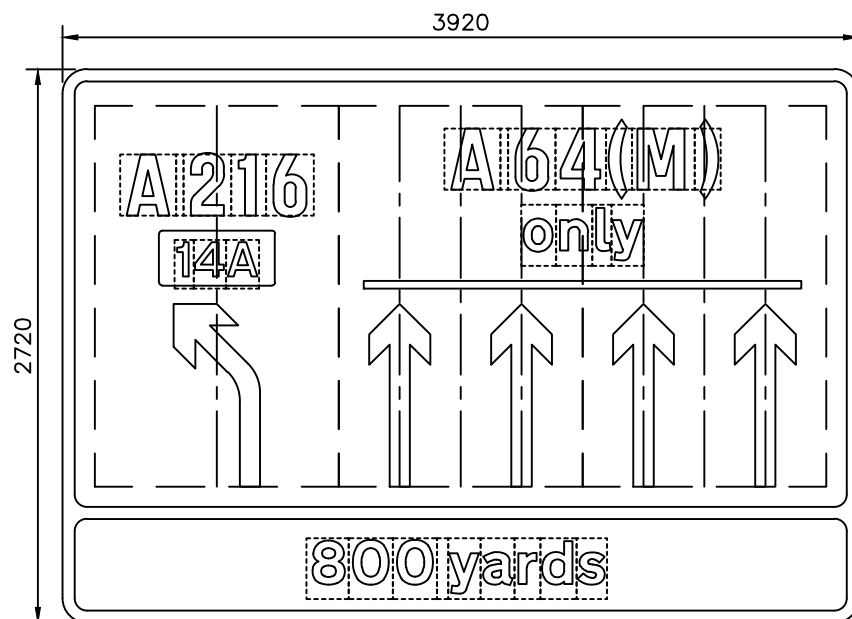
<p>Title : Temporary Signs TEMPORARY LANE USAGE</p>	<p>Issue: Date : A: 22.04.16 B: C:</p>	<p>Drawn by : A.K. Approved by: J.B.</p>	<p>Related drawings :</p>	<p>Dimensions : MILLIMETRES</p>	<p>Drawing No. P 7244 Sheet 11 of 12</p>
--	--	--	---------------------------	--	---



Arrow widths	x-ht
200 min	100 min
300 max	150 max

- NOTES:
- The legend is from the Transport Heavy alphabet or Motorway Black alphabet at the x-heights shown.
 - The tile outlines do not form part of the signs.
 - COLOURS : Border, arrows, text and horizontal linking lines BLACK
Background YELLOW
 - DIMENSIONS : All dimensions are based on an x-height of 150mm and shall be varied proportionally for other x-heights.

5 LANES



P7244

Before using this drawing, confirm that it has not been superseded.

<p>Title: Temporary Signs</p> <p>TEMPORARY LANE USAGE</p>	<p>Issue: Date:</p> <p>A: 22.04.16</p> <p>B:</p> <p>C:</p>	<p>Drawn by : A.K.</p> <p>Approved by: J.B.</p>	<p>Related drawings :</p>	<p>Dimensions : MILLIMETRES</p>	<p>Drawing No. P 7244</p> <p>Sheet 12 of 12</p>
---	--	---	---------------------------	---------------------------------	---