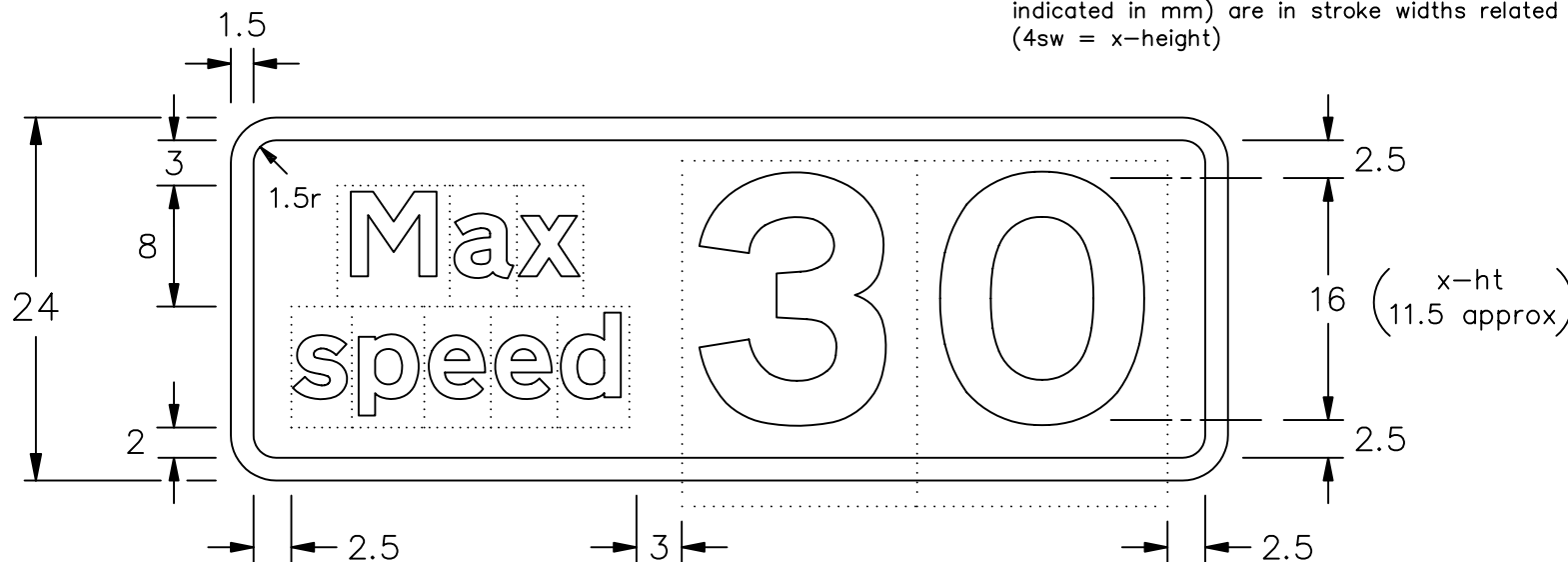


Drawing No.  
P 7294

Before using this drawing, confirm that it has not been superseded.

© CROWN COPYRIGHT

- NOTES: 1. The legend is from the Transport Heavy alphabet at the x-heights shown.  
 2. The tile outlines do not form part of the sign.  
 3. COLOURS : Background ----- YELLOW  
 Legend & Border --- BLACK  
 4. DIMENSIONS : x-heights are in millimetres, other dimensions (except where indicated in mm) are in stroke widths related to the x-height of 'Max speed'.  
 (4sw = x-height)



x-ht		numeral height mm	approx x-ht mm
(50)		(200)	143
(62.5)		(250)	(179)
(75)		(300)	(214)
100		400	286
(125)		(500)	(357)

P7294

Department for  
**Transport**

Title: Temporary Sign  
 MAXIMUM SPEED ADVISED (MPH)  
 (FREE-STANDING SIGN)

Issue: Date: A: 19.1.05  
 B:  
 C:  
 Drawn by: S.P./L.W.  
 Approved by: R.M.

Dimensions: SEE NOTE 4

Drawing No. P 7294