

Drawing No.

NP-SCR

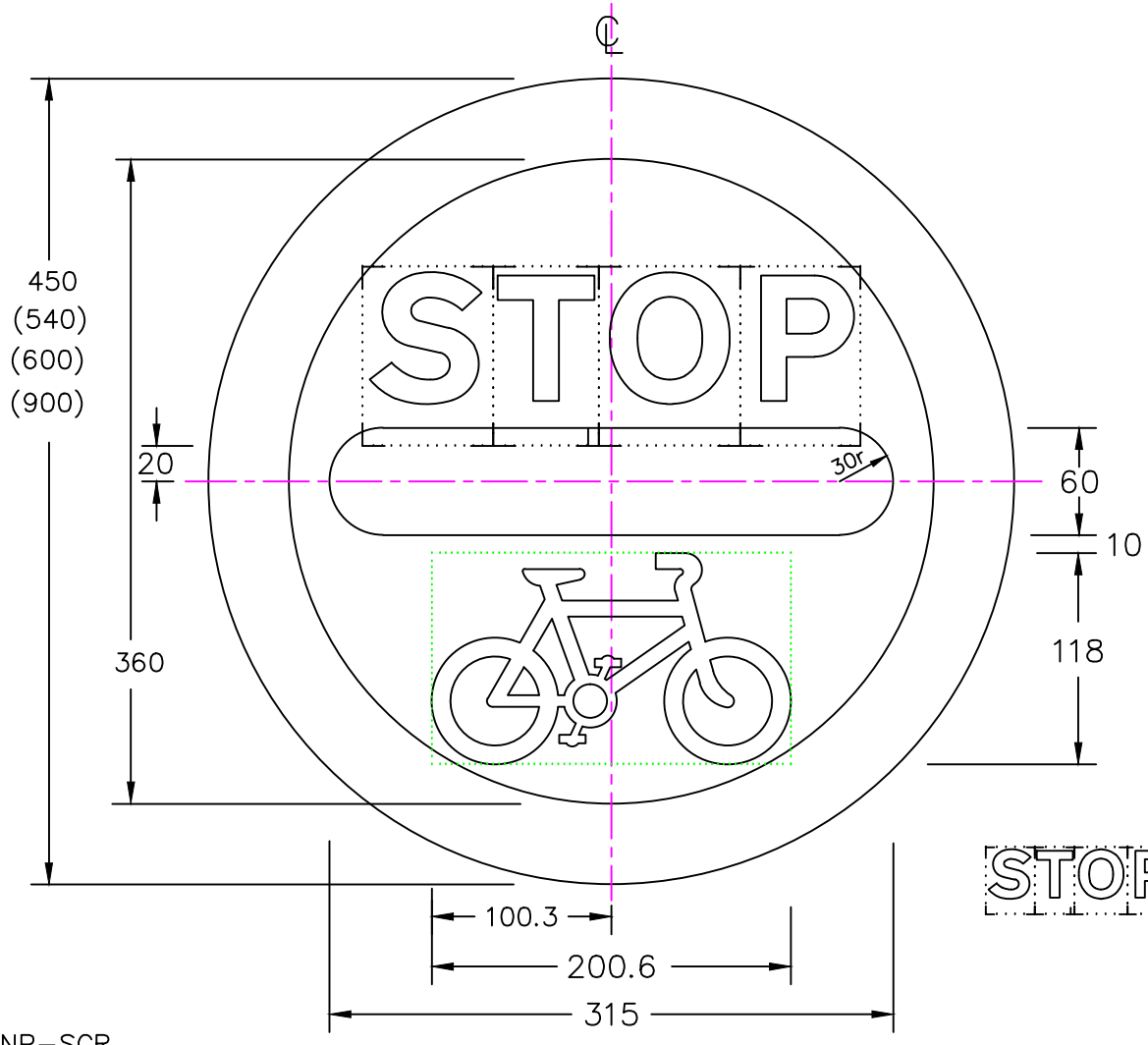
Related Drawing

S 24

Before using this drawing, confirm that it has not been superseded.

© CROWN COPYRIGHT

- NOTES:
1. The legend is from the Transport Heavy alphabet at the x-height shown.
 2. Symbol details are on drawing No. S 24.
 3. The tile outlines do not form part of the sign.
 4. COLOURS: -
 Background ----- YELLOW
 Border ----- RED
 Legend, Bar and Symbol --- BLACK
 5. A sign shall comprise a roundel and a pole on which the roundel is mounted.
 6. The design shall be shown on one side of the sign only. The reverse side must be entirely coloured in black or grey.
 7. Where alternative dimensions are shown in brackets, the dimensions for other elements must correspond with one another so that the shape and proportions of the sign are as shown.



STOP	x-ht
	50
	(60)
	(65)
	(100)



NP-SCR

Department for **Transport**

Title:

Regulatory Sign
STOP CYCLE RACE

Issue: Date:

A: 08.02.11
B:
C:

Drawn by:

A.K.
Approved by:
J.B.

Dimensions:

MILLIMETRES

Drawing No.

NP-SCR