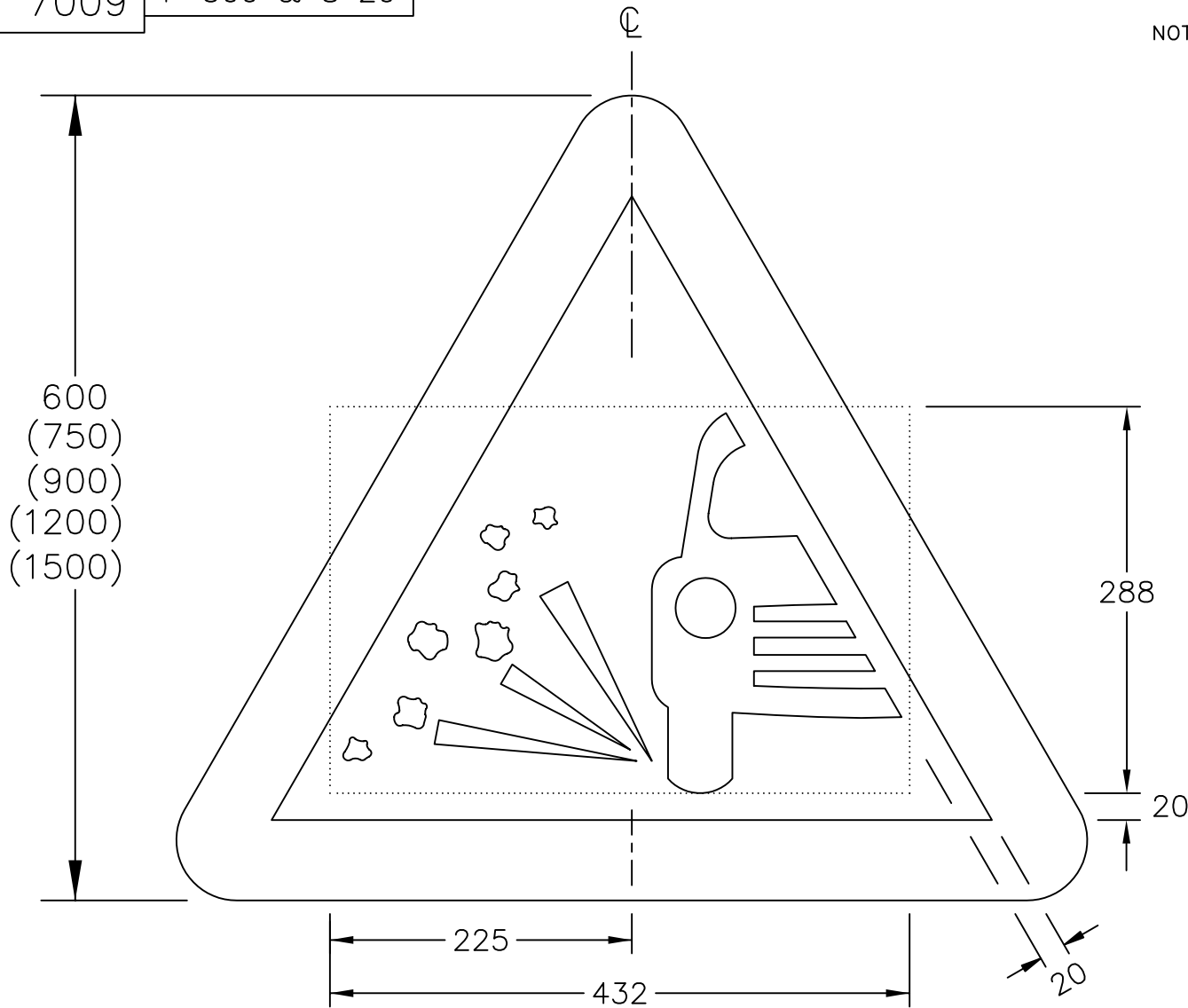


Drawing No.
P 7009

Related Drawings
P 500 & S 20

© CROWN COPYRIGHT

- NOTES: 1. Other dimensions for the triangle are shown on drawing P 500.
2. Symbol details are given on drawing S 20.
3. The tile outline does not form part of the sign.
4. All 600mm sign dimensions shall be varied proportionally for the other triangle heights.
5. COLOURS : Border ----- RED
Background ---- WHITE
Symbol ----- BLACK



P7009

Before using this drawing, confirm that it has not been superseded.

Department for
Transport

Title: Warning Sign
LOOSE CHIPPINGS

Issue: Date: Drawn by:
A: 6.11.95 S.P.
B: 21.12.04 Approved by:
C: R.M.

Dimensions:
MILLIMETRES

Drawing No.
P 7009