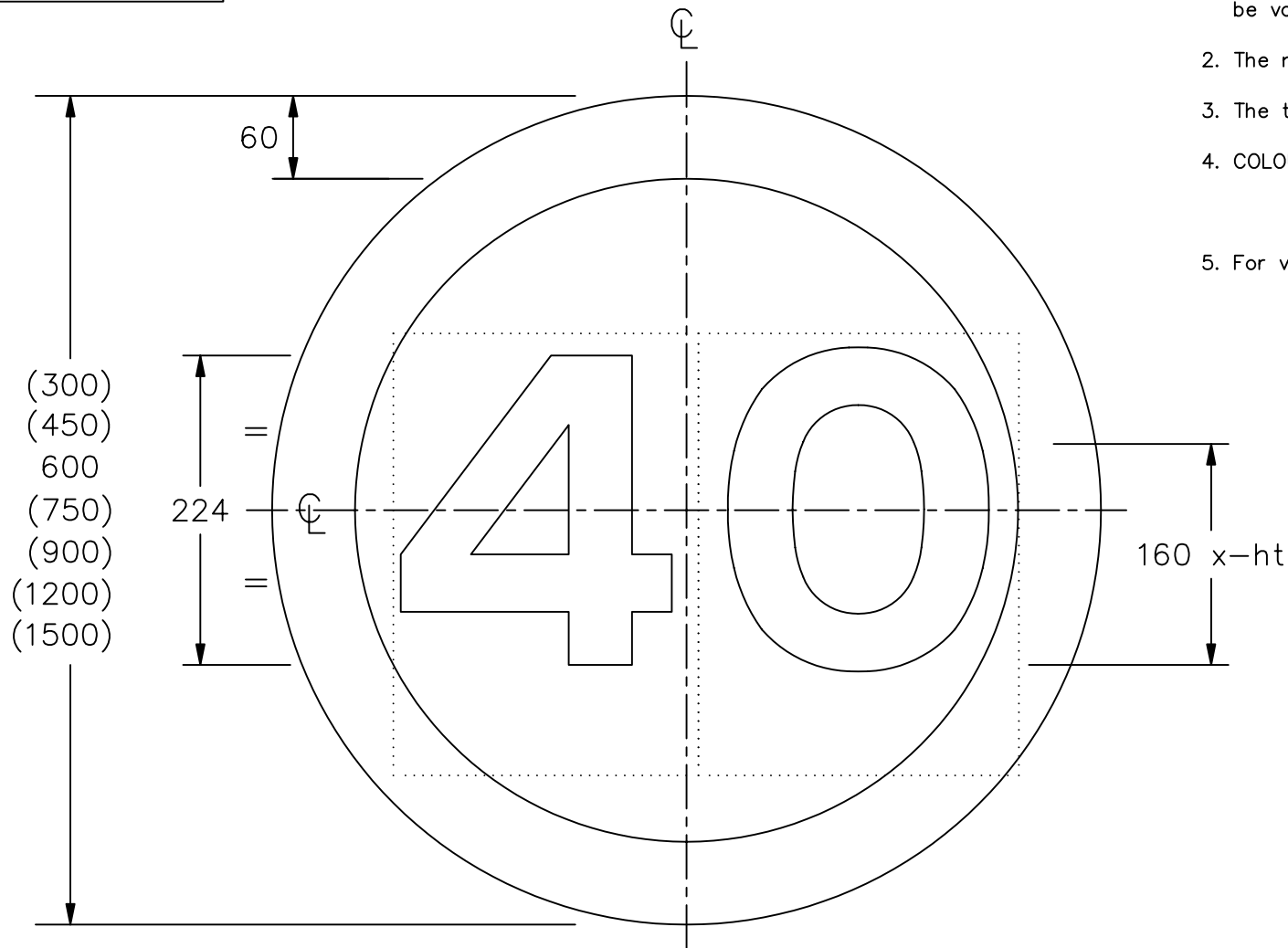


- NOTES: 1. All 600mm sign dimensions, including x-height, shall be varied proportionally for the other roundel sizes.
2. The numerals are from the Transport Heavy alphabet.
3. The tile outlines do not form part of the sign.
4. COLOURS : Background ---- WHITE  
 Border ----- RED  
 Numerals ----- BLACK
5. For variants see sheet 2.



P670-1

Before using this drawing, confirm that it has not been superseded.

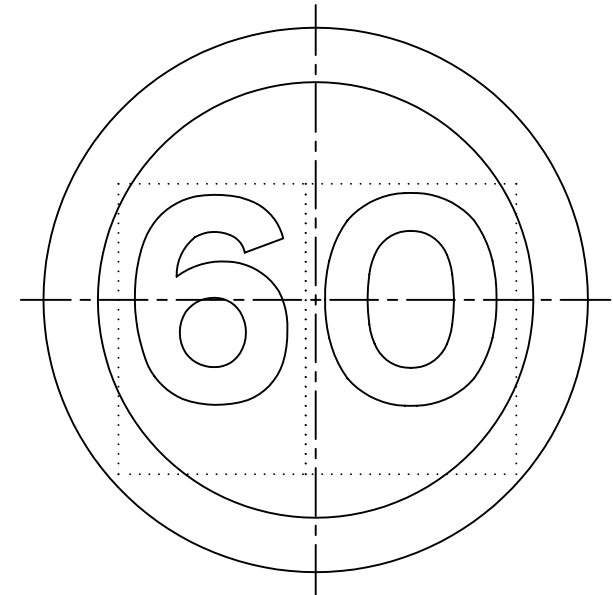
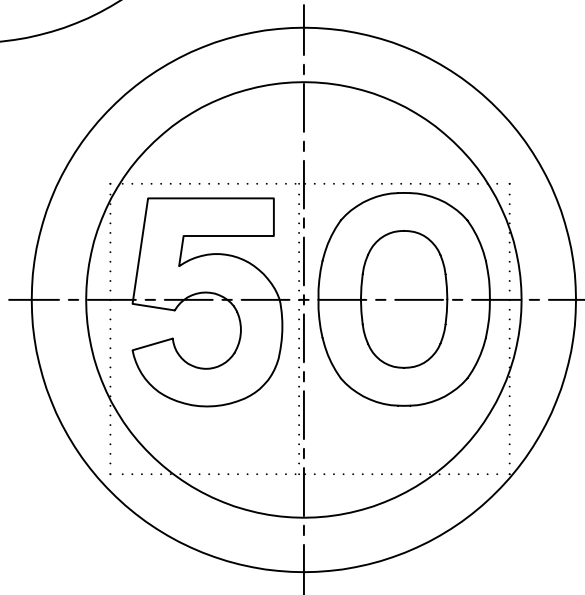
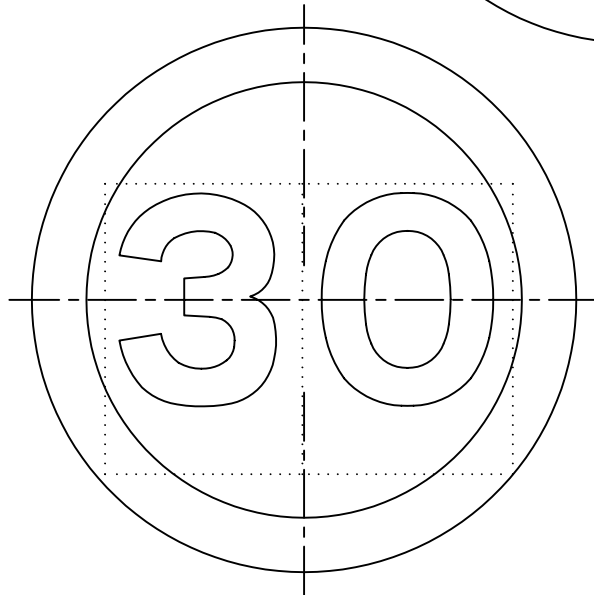
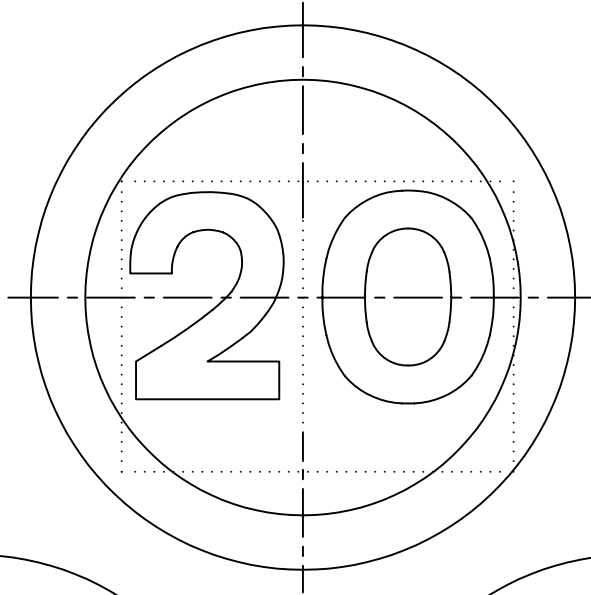
<b>Department for          Transport</b>	Title: Regulatory Sign <b>MAXIMUM SPEED LIMIT          IN MILES PER HOUR</b>	Issue: A: 27.7.94	Date: S.P.	Dimensions: MILLIMETRES	Drawing No. <b>P 670</b> sheet 1 of 2
		B: 27.1.04	Approved by: R.M.		

Drawing No.

P 670 sheet  
2 of 2

© CROWN COPYRIGHT

- NOTES: 1. The numerals are from the Transport Heavy alphabet.  
2. The tile outlines do not form part of the sign.  
3. COLOURS : Background --- WHITE  
Border ----- RED  
Numerals ---- BLACK  
4. For dimensions see sheet 1.



P670-2

Before using this drawing, confirm that it has not been superseded.

**Department for  
Transport**

Title: Regulatory Signs  
MAXIMUM SPEED LIMIT  
IN MILES PER HOUR

Issue: Date:  
A: 27.7.94  
B: 27.1.04  
C:

Drawn by: L.W.  
Approved by: R.M.

Dimensions:  
SEE  
NOTE 4

Drawing No.  
P 670  
sheet 2 of 2