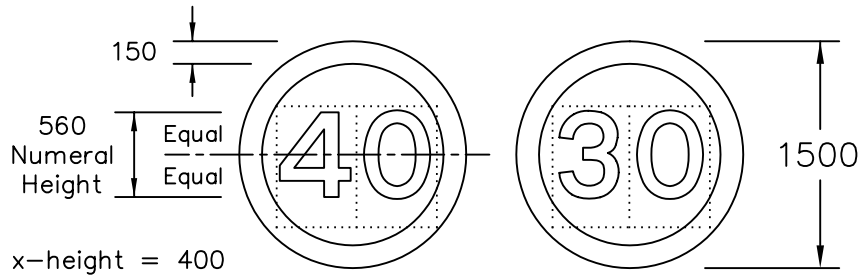


NOTES : 1. The numerals are from Schedule 13 Part VI (a) and (b) of the Traffic Signs Regulations and General Directions 2002 at character heights of 1600mm and 2800mm respectively.

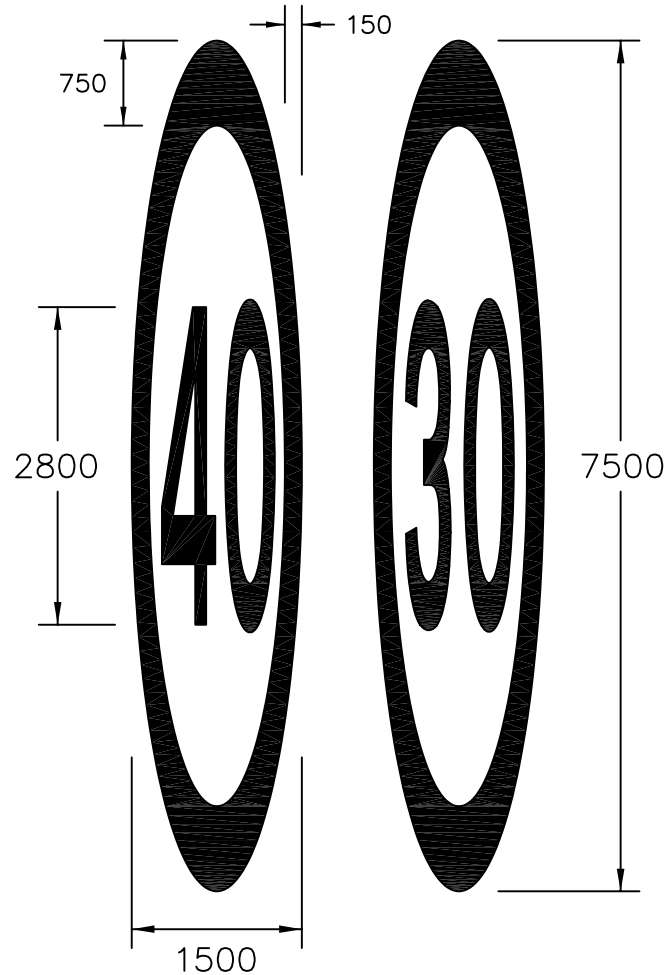
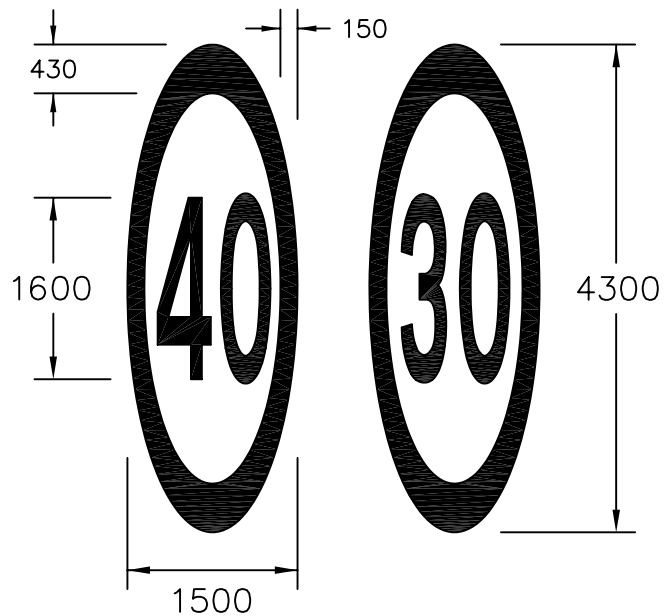
2. The roundels are based on 1500mm diameter and are stretched vertically to 4300mm and 7500mm as shown.

3. COLOUR: -
Roundels & Numerals ---- WHITE

4. See sheets 2 & 3 for further details of the roundels.



UNSTRETCHED ROUNDLS



P1065-1

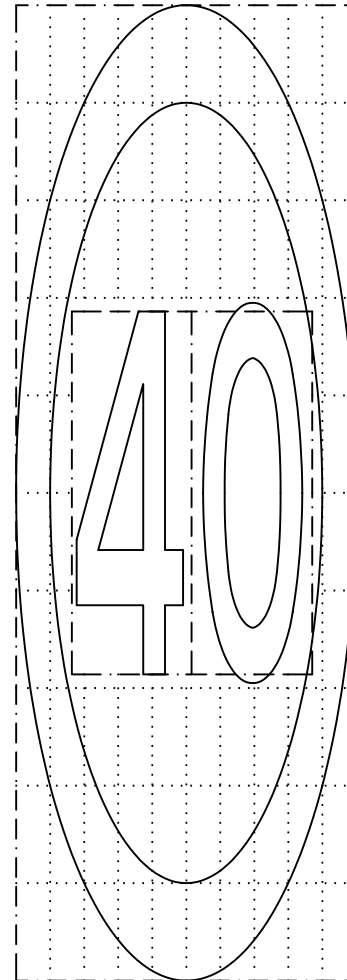
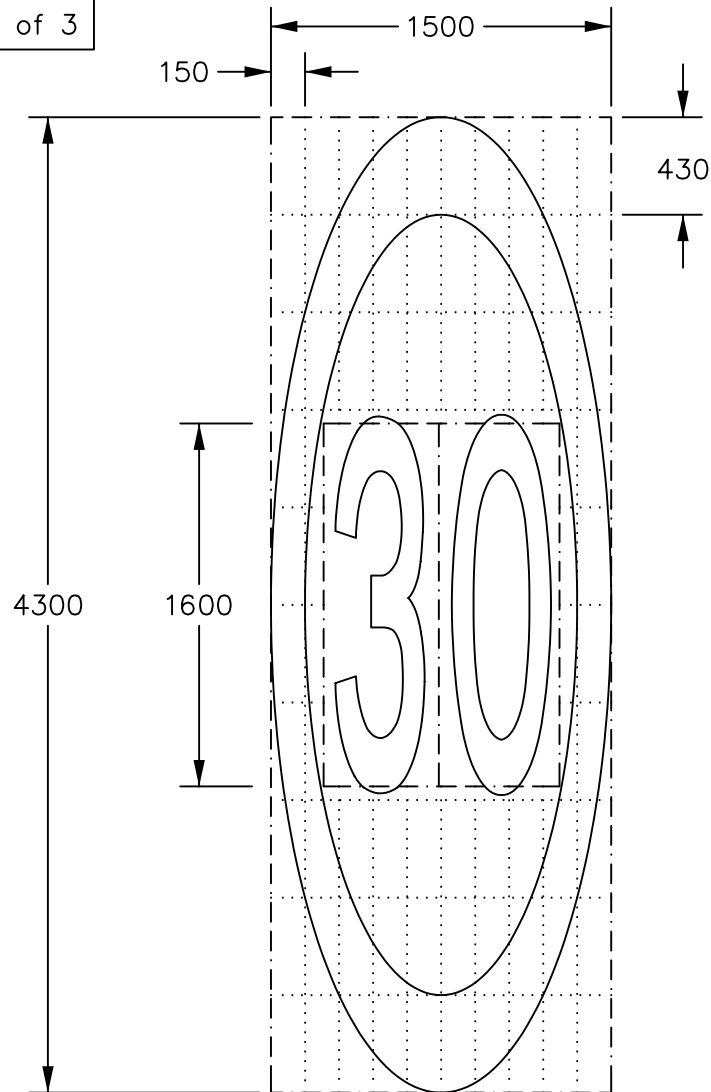
Before using this drawing, confirm that it has not been superseded.

<p>Department for Transport</p>	<p>Title: Road Markings SPEED LIMIT</p>	<p>Issue: A: 10.7.03</p>	<p>Date: B:</p>	<p>Drawn by: R.M.</p>	<p>Dimensions: MILLIMETRES</p>	<p>Drawing No. P 1065 Sheet 1 of 3</p>
		<p>C:</p>	<p>Approved by: R.M.</p>			

Drawing No.
P 1065
 Sheet 2 of 3

© CROWN COPYRIGHT

- NOTES :
1. The numerals are from Schedule 13 Part VI (a) and of the Traffic Signs Regulations and General Directions 2002 at the character height of 1600mm.
 2. The grid does not form part of the markings.
 3. The roundels are based on 1500mm diameter and are stretched vertically to 4300mm.
 4. COLOUR: -
 Roundels & Numerals --- WHITE
 5. See sheet 3 for 7500mm size.



P1065-2

Before using this drawing, confirm that it has not been superseded.

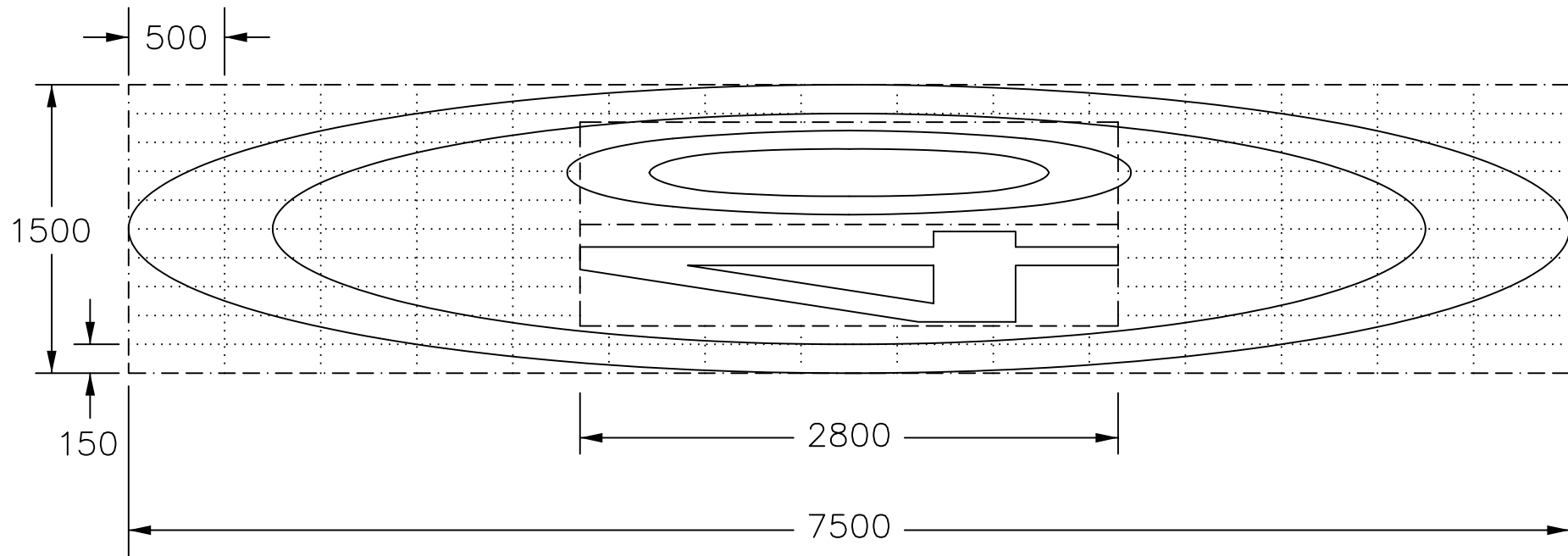
Department for Transport	Title: Road Markings SPEED LIMIT	Issue:	Date:	Drawn by:	Dimensions:	Drawing No.
		A:	10.7.03	L.W.	MILLIMETRES	P 1065
		B:		Approved by:		Sheet 2 of 3
		C:		R.M.		

Drawing No.
P 1065
 Sheet 3 of 3

Before using this drawing, confirm that it has not been superseded.

© CROWN COPYRIGHT

- NOTES :
1. The numerals shall be from Schedule 13 Part VI (b) of the Traffic Signs Regulations and General Directions 2002 at the character height of 2800mm.
 2. The grid does not form part of the marking.
 3. The roundels are based on 1500mm diameter and are stretched vertically to 7500mm.
 4. COLOUR:—
 Roundel & Numerals --- WHITE
 5. See sheet 2 for 4300mm size.



P1065-3

Department for
Transport

Title:
 Road Marking
SPEED LIMIT

Issue: Date:
 A: 10.7.03
 B:
 C:

Drawn by:
 L.W.
 Approved by:
 R.M.

Dimensions:
 MILLIMETRES

Drawing No.
P 1065
 Sheet 3 of 3