

Drawing No.

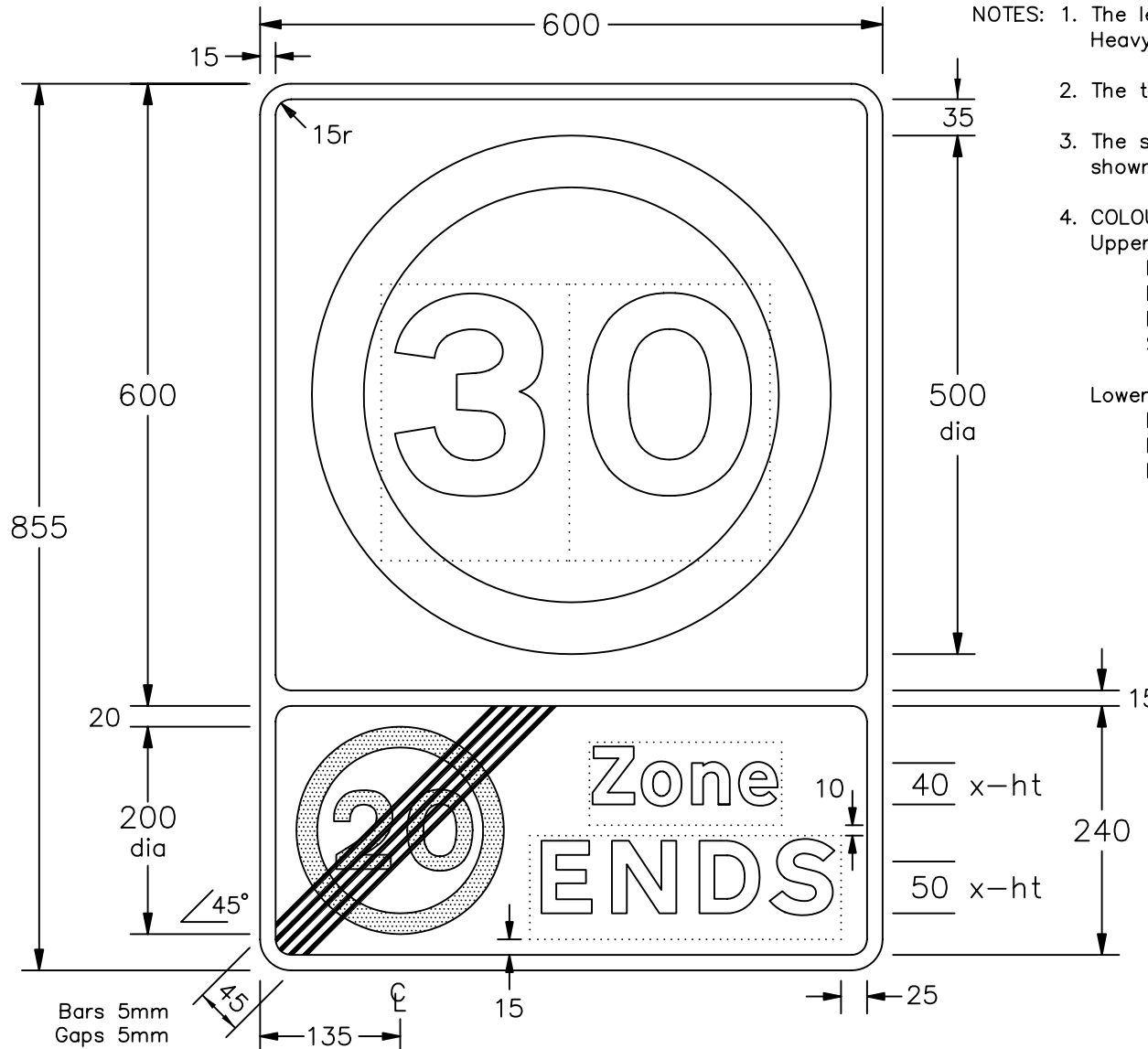
P 675

Related Drawings

P 670 &
P 671

Before using this drawing, confirm that it has not been superseded.

© CROWN COPYRIGHT



NOTES: 1. The legend in the lower panel is from the Transport Heavy alphabet at the x-heights shown.

2. The tile outlines do not form part of the signs.

3. The speed limit roundels are proportional to those shown on drawings P 670 and P 671.

4. COLOURS :-
Upper Panel

Background (sign with diagram 670) --- WHITE

Background (sign with diagram 671) --- GREY

Border - - - - - BLACK

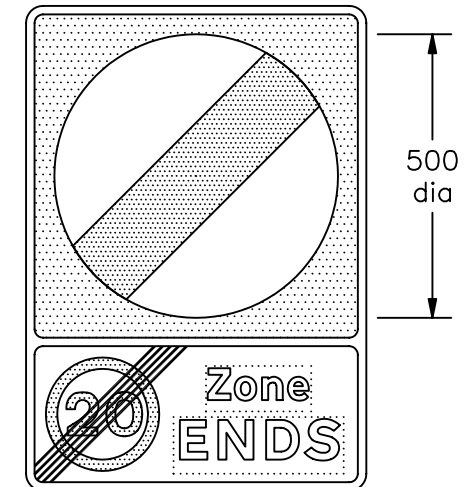
Speed Limit Signs - see drawings P 670 & P 671

Lower Panel

Background - - - - - WHITE

Legend, Cancellation Bars & Border - - - - - BLACK

Numerals & Roundel - - - - - GREY



VARIANT SHOWING DIAGRAM 671

P675

Department for
Transport

Title: Regulatory Sign
END OF
20mph SPEED LIMIT ZONE

Issue: Date:
A: 28.7.94
B: 30.1.04
C:

Drawn by: S.P.
Approved by: R.M.

Dimensions:
MILLIMETRES

Drawing No.
P 675