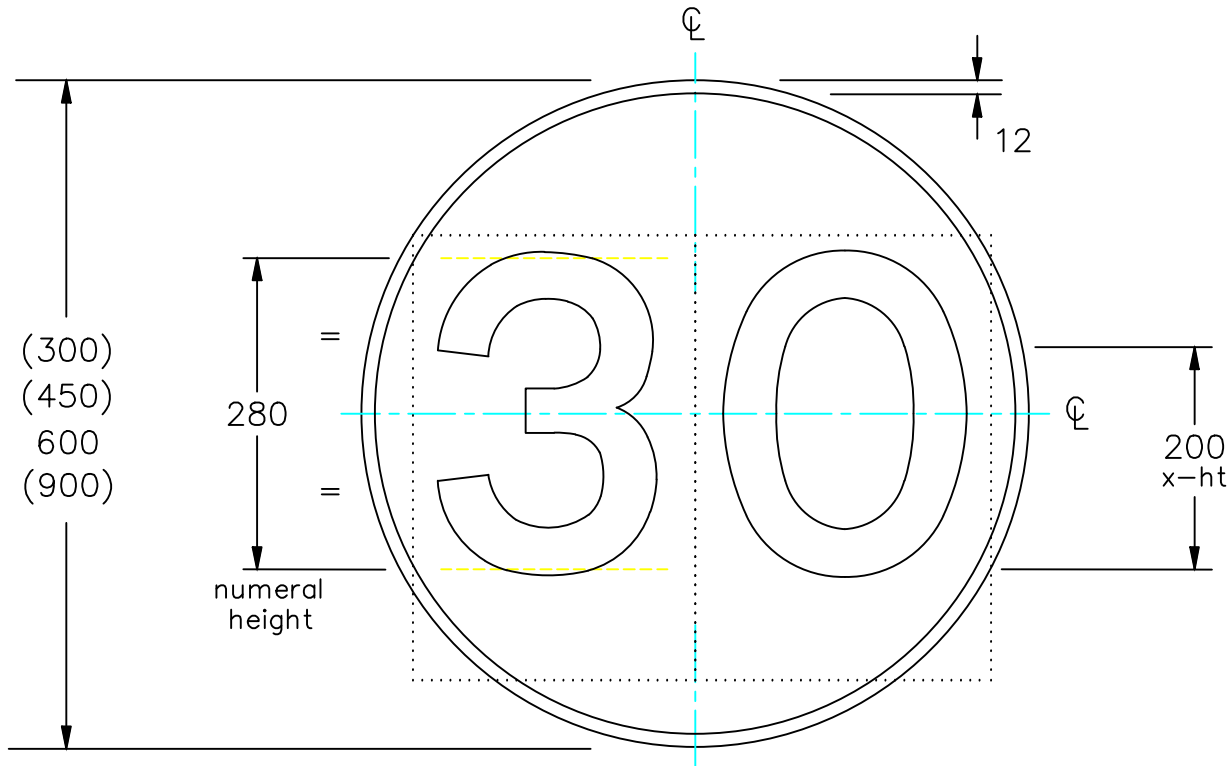


Drawing No.
P 672

Before using this drawing, confirm that it has not been superseded.

© CROWN COPYRIGHT

- NOTES: 1. All 600mm dia sign dimensions, including the x-height shall be varied proportionally for the other roundel sizes.
2. The numerals are from the Transport Medium alphabet.
3. The tile outlines do not form part of the sign.
4. COLOURS : Background ----- BLUE
Numerals & Border --- WHITE



P672

Department for
Transport

Title: Regulatory Sign
MINIMUM SPEED LIMIT IN MPH

Issue: Date:
A: 27.7.94
B: 27.1.04
C: 11.11.11

Drawn by : S.P.
Approved by: R.M.

Dimensions :
MILLIMETRES

Drawing No.
P 672