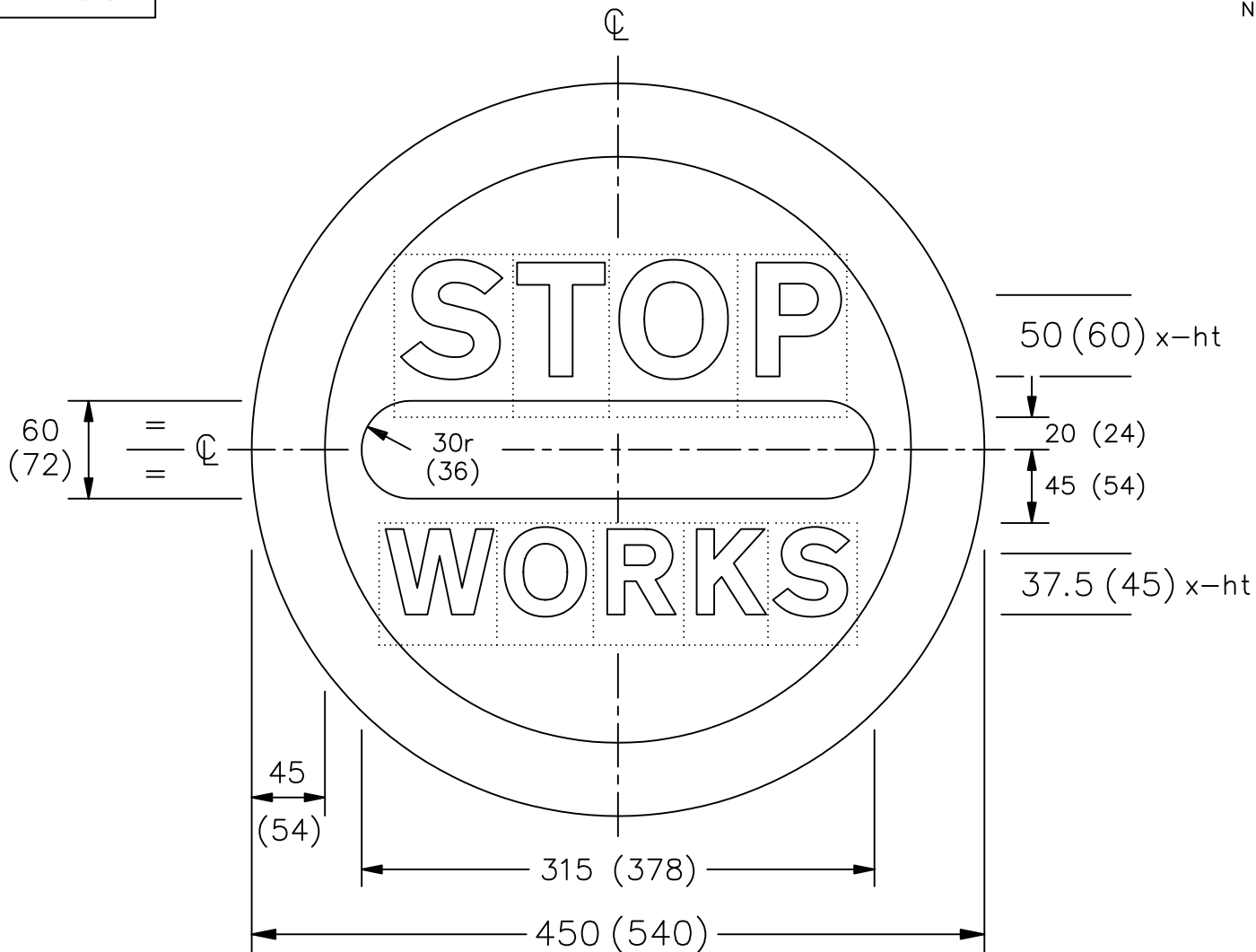


Drawing No.
P 7031

© CROWN COPYRIGHT



- NOTES:
1. The legend is from the Transport Heavy alphabet at the x-heights shown.
 2. The tile outlines do not form part of the sign.
 3. COLOURS: –
Background ----- FLUORESCENT YELLOW
Border ----- RED
Legend & Bar --- BLACK
 4. REFLECTORISATION : No retroreflecting material shall be applied to that part of the sign coloured fluorescent yellow, unless applied in horizontal strips with a gap between each adjacent strip, or unless the retroreflecting material is itself also fluorescent.
 5. The design shall be shown on both sides of the sign.

P7031

Before using this drawing, confirm that it has not been superseded.

Department for
Transport

Title: Regulatory Sign
VEHICULAR TRAFFIC TO STOP FOR
SHORT PERIOD DURING WORKS

Issue: Date:
A: 17.1.05
B:
C:

Drawn by:
R.M.
Approved by:
R.M.

Dimensions:
MILLIMETRES

Drawing No.
P 7031