

Drawing No.  
P 7023

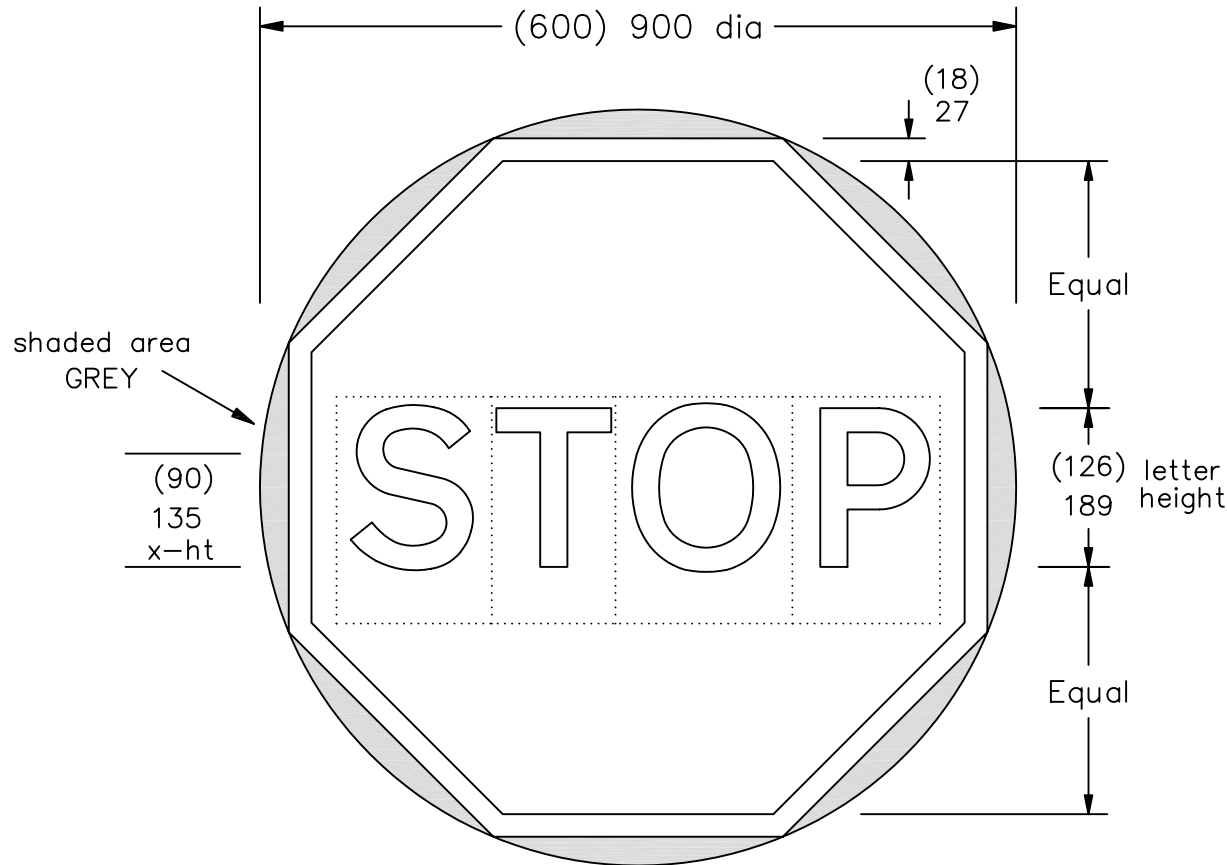
© CROWN COPYRIGHT

NOTES: 1. The legend is from the Transport Medium alphabet at the x-heights shown.

2. The legend tiles are centred horizontally on the octagon.

3. The tile outlines do not form part of the sign.

4. COLOURS : Background ----- RED  
 Legend &  
 Octagonal Border ---- WHITE  
 Octagonal border  
 to edge of Plate ---- GREY



P7023

Before using this drawing, confirm that it has not been superseded.

Department for  
**Transport**

Title: Regulatory Sign  
MANUALLY OPERATED STOP SIGN

Issue: Date :  
A: 14.11.95  
B: 7.1.05  
C:  
Drawn by :  
S.P.  
Approved by :  
R.M.

Dimensions:  
MILLIMETRES

Drawing No.  
P 7023