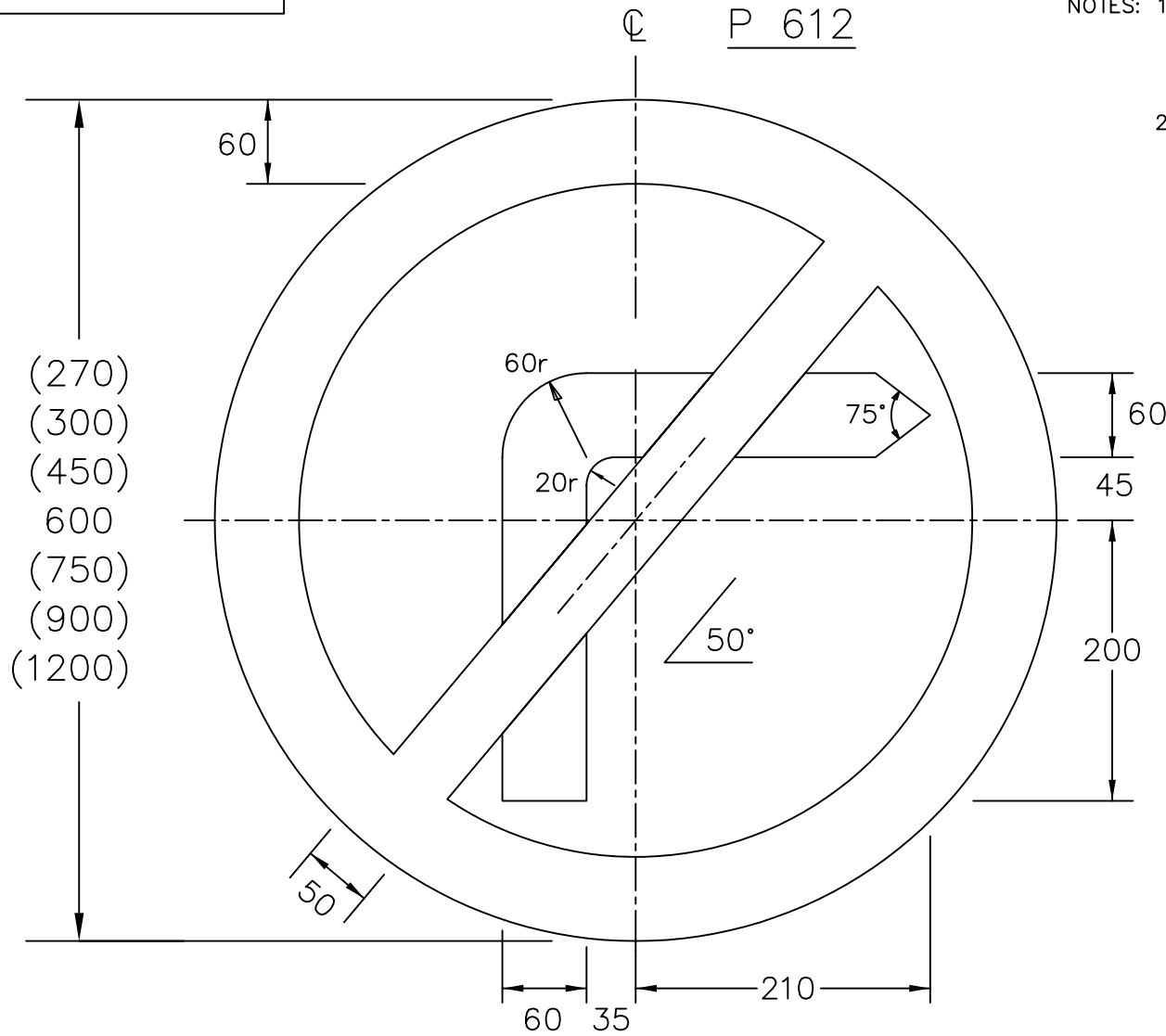


Drawing No.  
P 612 & P 613

© CROWN COPYRIGHT

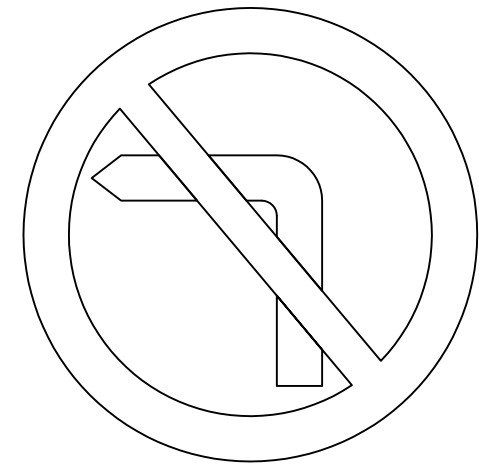


NOTES: 1. All 600mm dia sign dimensions shall be varied proportionally for the other roundel sizes. The range of sizes for P 613 is the same as those shown for P 612.

2. COLOURS : Background ---- WHITE  
Border & Bar ---- RED  
Symbol ----- BLACK

(270)  
(300)  
(450)  
600  
(750)  
(900)  
(1200)

P 613



P612&613

Before using this drawing, confirm that it has not been superseded.

**Department for  
Transport**

Title: Regulatory Signs  
NO RIGHT TURN (P 612)  
NO LEFT TURN (P 613)

Issue: Date:  
A: 5.7.94  
B: 14.11.02  
C: 2.6.03

Drawn by: S.P.  
Approved by: R.M.

Dimensions:  
MILLIMETRES

Drawing No. P 612  
& P 613