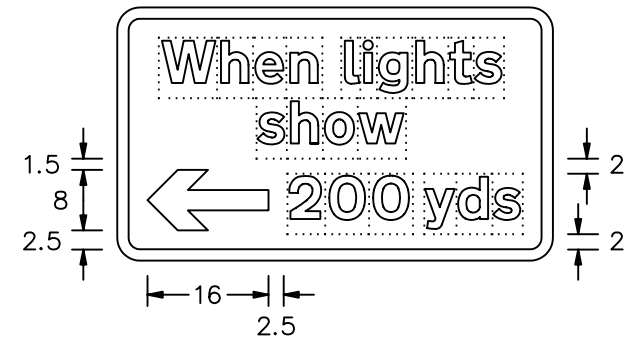
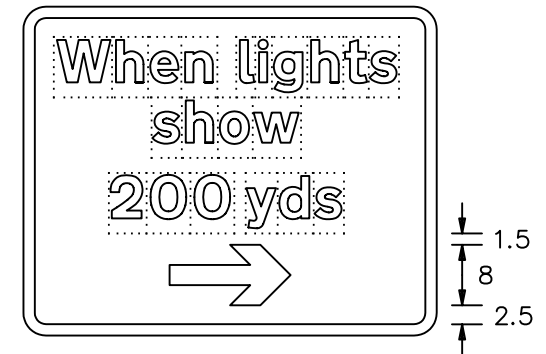
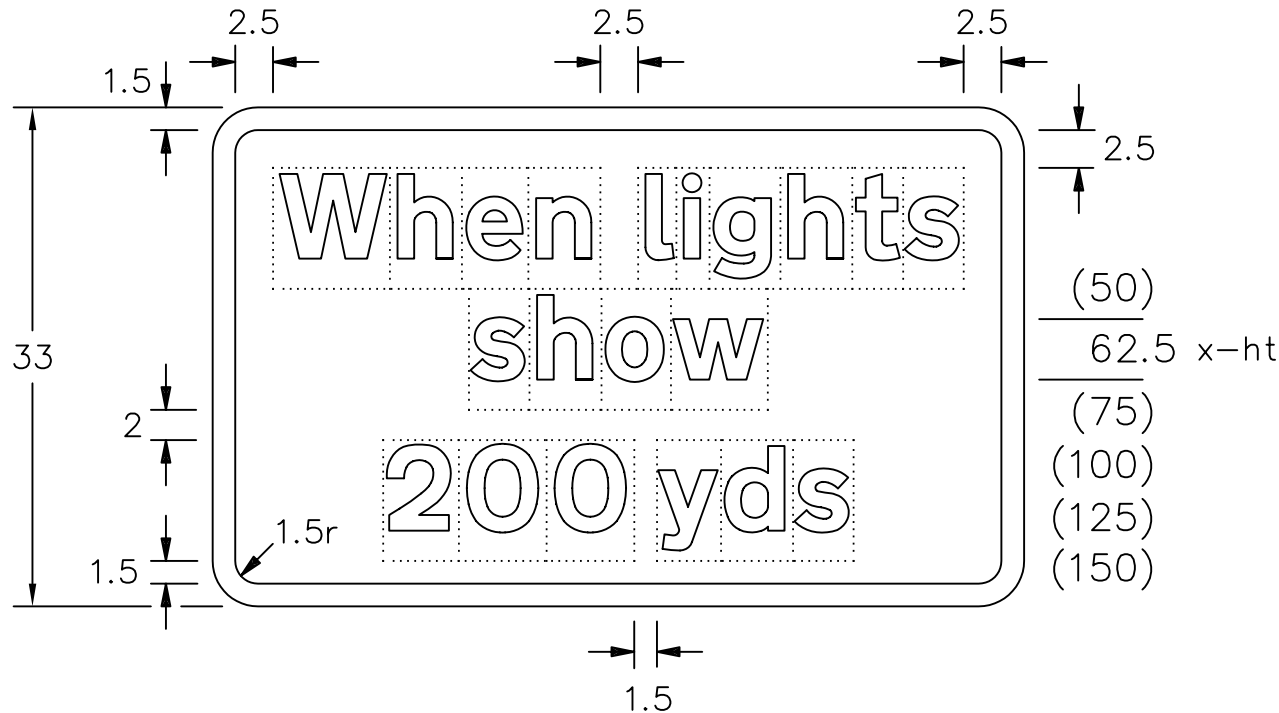


Drawing No.  
P 548.1

Before using this drawing, confirm that it has not been superseded.

© CROWN COPYRIGHT

- NOTES: 1. The legend is from the Transport Heavy alphabet at the x-heights shown.  
 2. The tile outlines do not form part of the signs.  
 3. COLOURS : Background ----- WHITE  
 Legend, Arrow & Border ---- BLACK  
 4. DIMENSIONS : x-heights are in millimetres, all other dimensions are in stroke widths. (4sw = x-ht)



P548x1

Department for  
**Transport**

Title: Warning Signs  
 SUPPLEMENTARY PLATE AND  
 VARIANTS FOR USE WITH P 548

Issue: Date: Drawn by: Dimensions:  
 A: 29.6.94 L.W.  
 B: 7.2.03 Approved by: SEE NOTE 4  
 C: R.M.

Drawing No.  
P 548.1