

Chapter 2-1-6

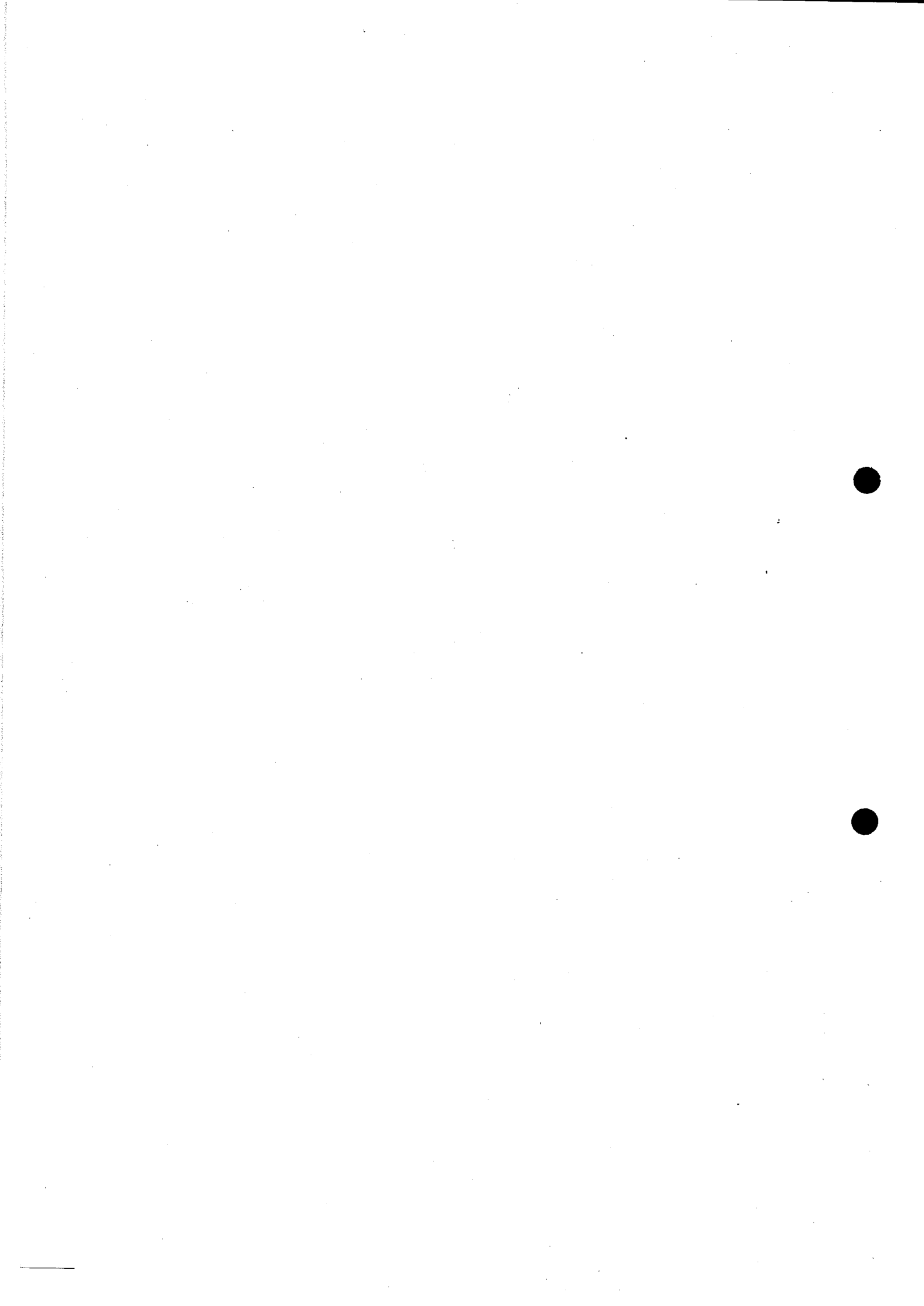
PARTS LIST

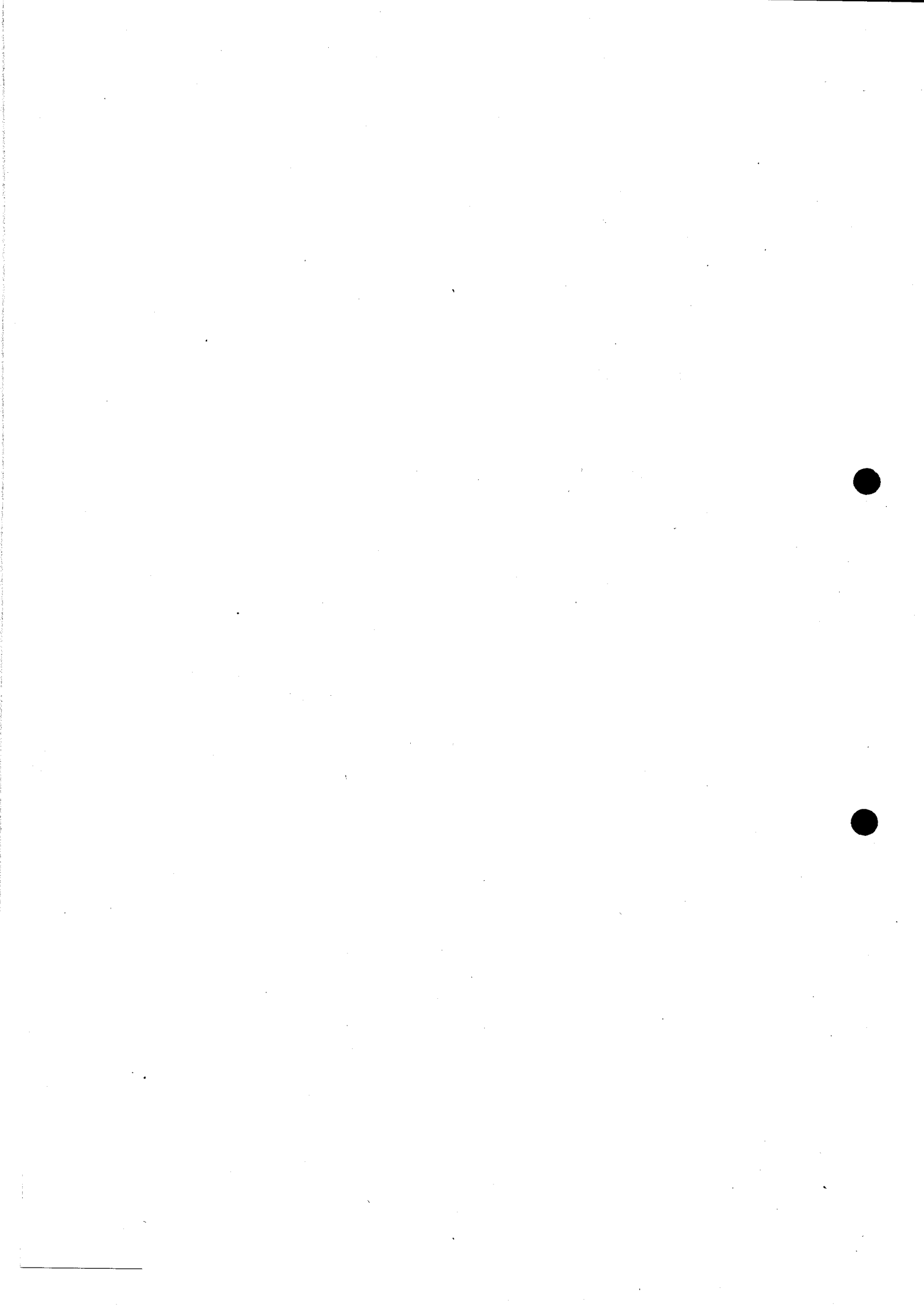
**CABLE ASSEMBLY, SPECIAL PURPOSE ELECTRICAL
(Tape Recorder-PCPU)**

Z42/5995-99-652-7737

(G.A. Drawing No. SD2/265350)

(Circuit Diagram No. N/A)







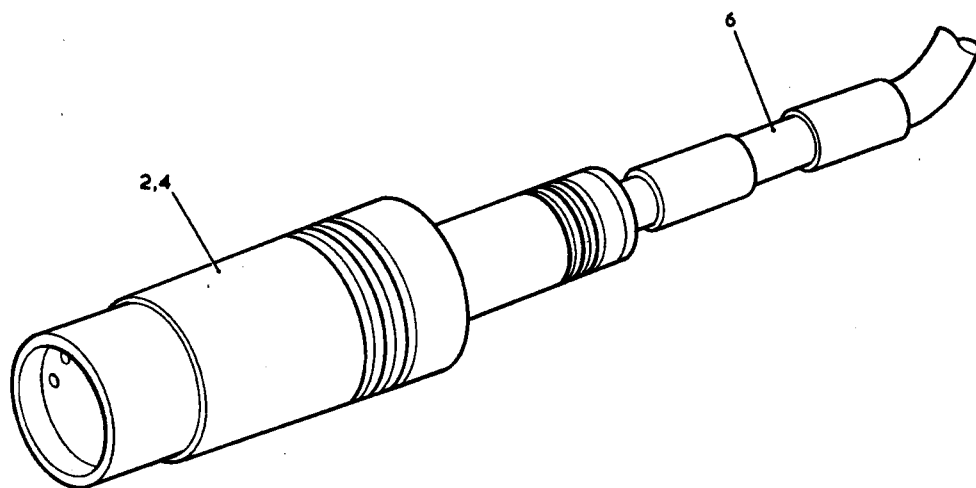
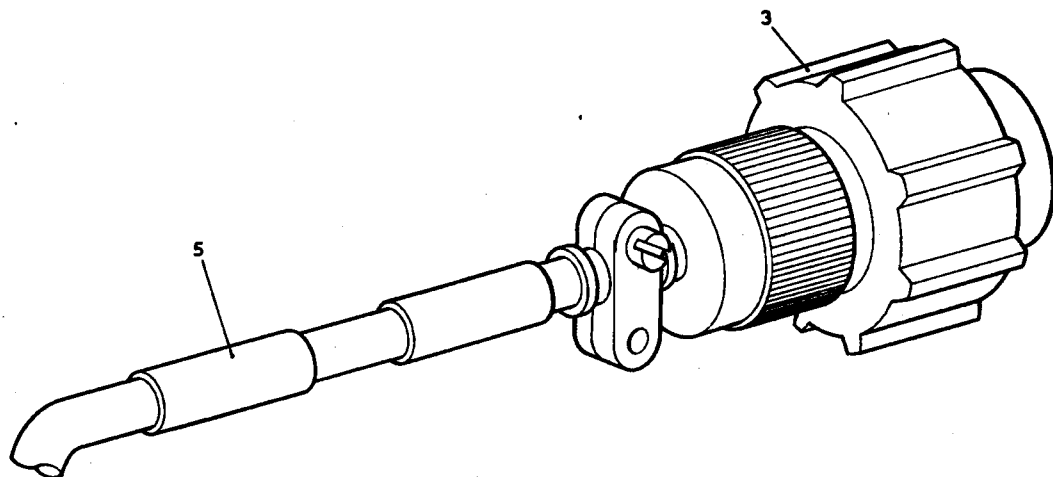
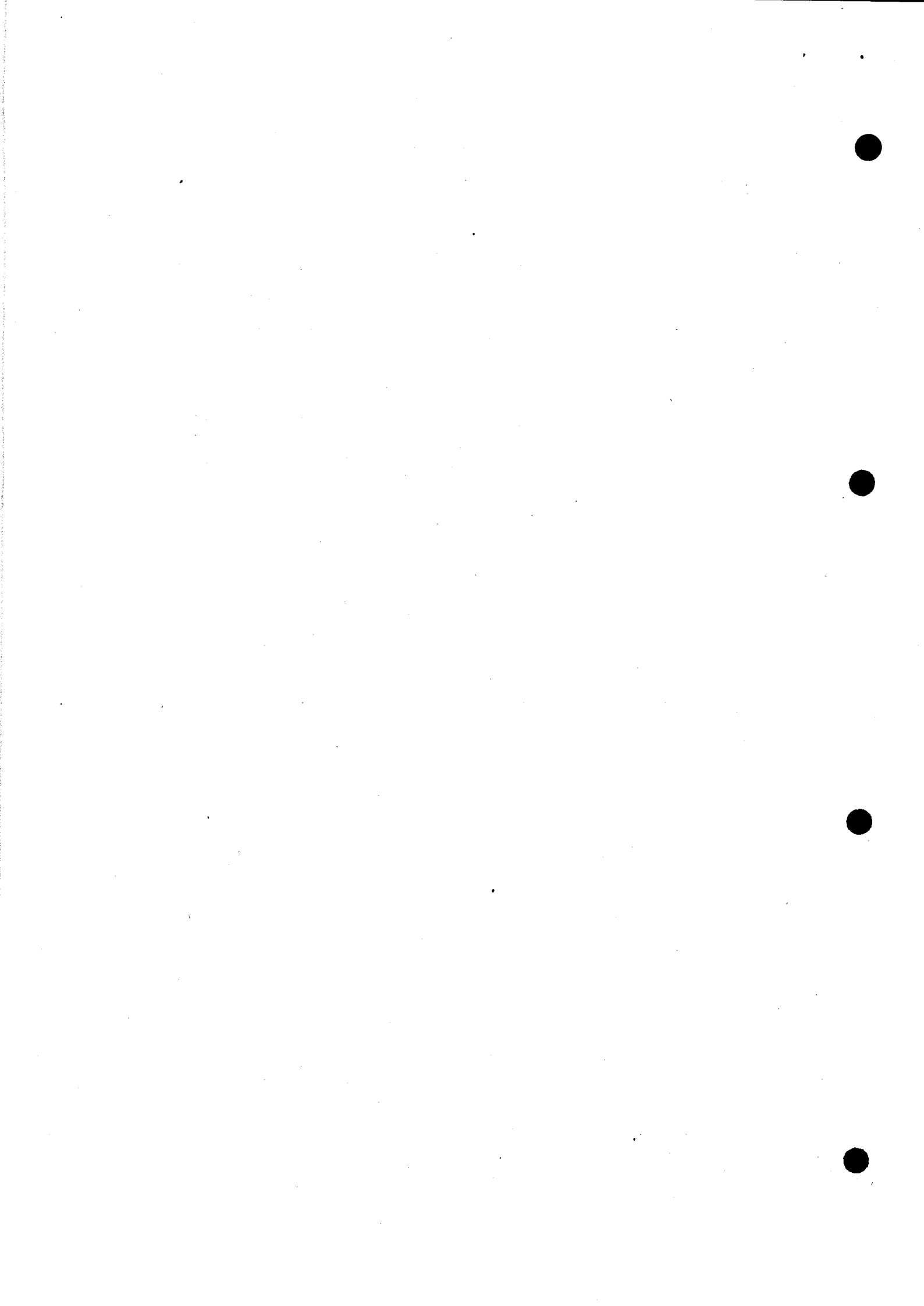


FIG.1 CABLE ASSEMBLY, SPECIAL PURPOSE, ELECTRICAL
(Tape Recorder P.CPU)

PARTS LIST

CABLE ASSEMBLY, SPECIAL PURPOSE, ELECTRICAL
(Tape Recorder-PCPU) Z42/5995-99-652-7737

Fig-Item	Man Code		NATO Stock No.	Indent	Item Name and Description	Part No/ Drawing No.	No. off	Annotations	
	Navy - N	Army - A						RAF - R	Class of Store and Serv. Line
1	A	Z42	5995-99-652-7737	A	CABLE ASSEMBLY, SPECIAL PURPOSE, ELECTRICAL (Tape Recorder-PCPU) 4 conductors; connector external, straight 1st end, connector internal, straight 2nd end.	SD2/265350	Ref		
1-2	A	Z32	5935-99-658-4768	B	CONNECTOR, FREE, ELECTRICAL straight shape; 56mm lg by 15mm dia; nickel finish; 1 mating end; 5 contacts; keyway; 100V ac; sleeve clamp; 7.93mm max dia; aluminium	R.S. Components 478-396	1		
3	A	Z3	5935-99-658-3179	B	CONNECTOR, FREE, ELECTRICAL straight shape; quick connect w/strain relief; 1-3/4in. lg, 3/4in. dia; chromate, olive drab; 1 mating end; 4 contacts; 500V ac; cable clamp; 5/32 in. dia; aluminium alloy; bayonet slot.	Amphenol 62GB-16F-8-4P(O44)	1		
4	-	-	NP	B	sleeving 1.5mm id, pink	BS 3858 Type 2	AR		
5	-	-	NP	B	sleeving 3mm id, pink	BS 3858 Type 3	AR		
6	A	Y3	6145-99-110-8628	B	CABLE, SPECIAL PURPOSE 4 conductors; 7/0.2mm; PVC insulation, plastics tape; copper braid; screen; PVC sheathed; 4.6mm max dia	DEF Stan 61-12 Pt.4 7-2-4C	AR		



Chapter 2-1-7

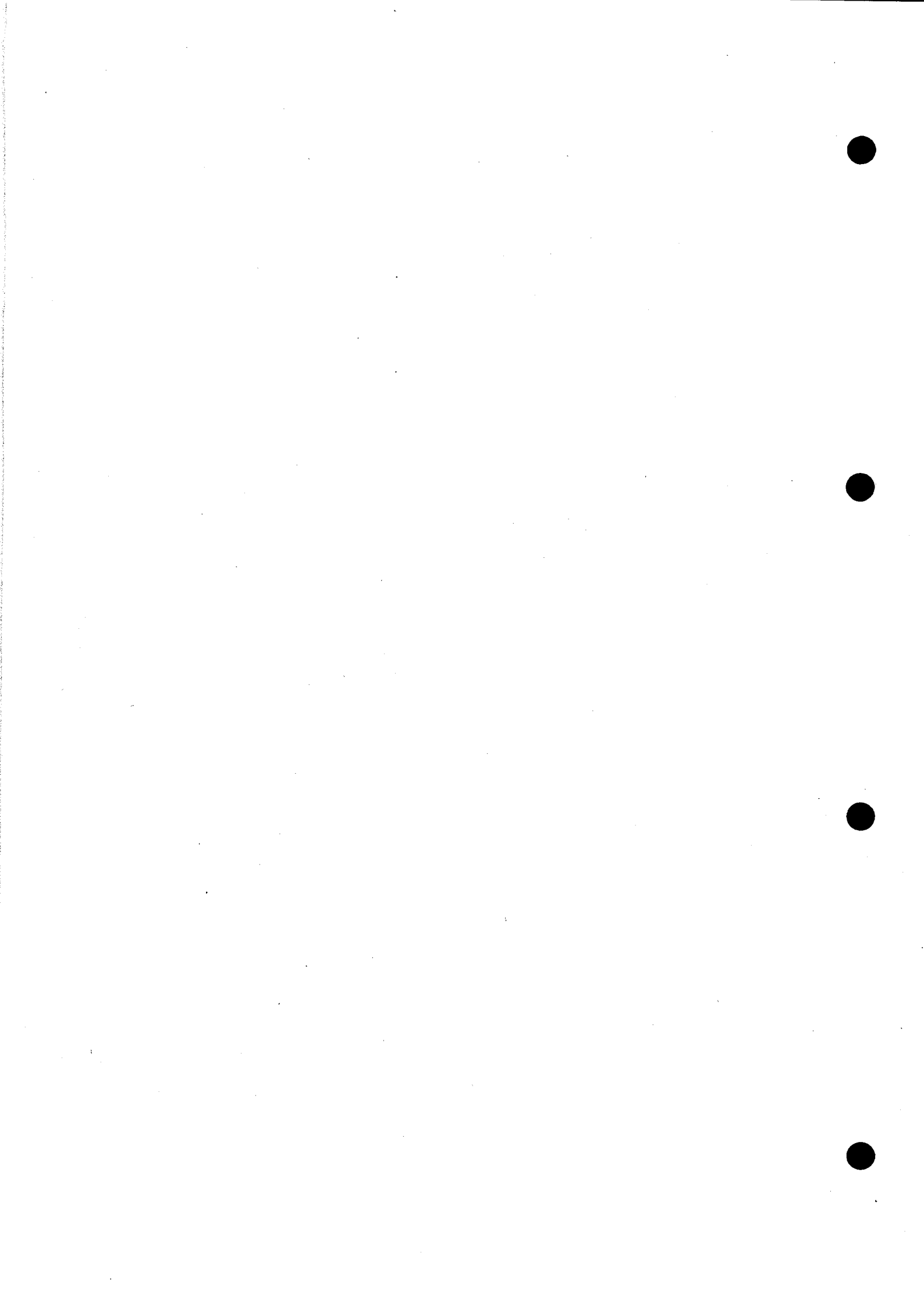
PARTS LIST

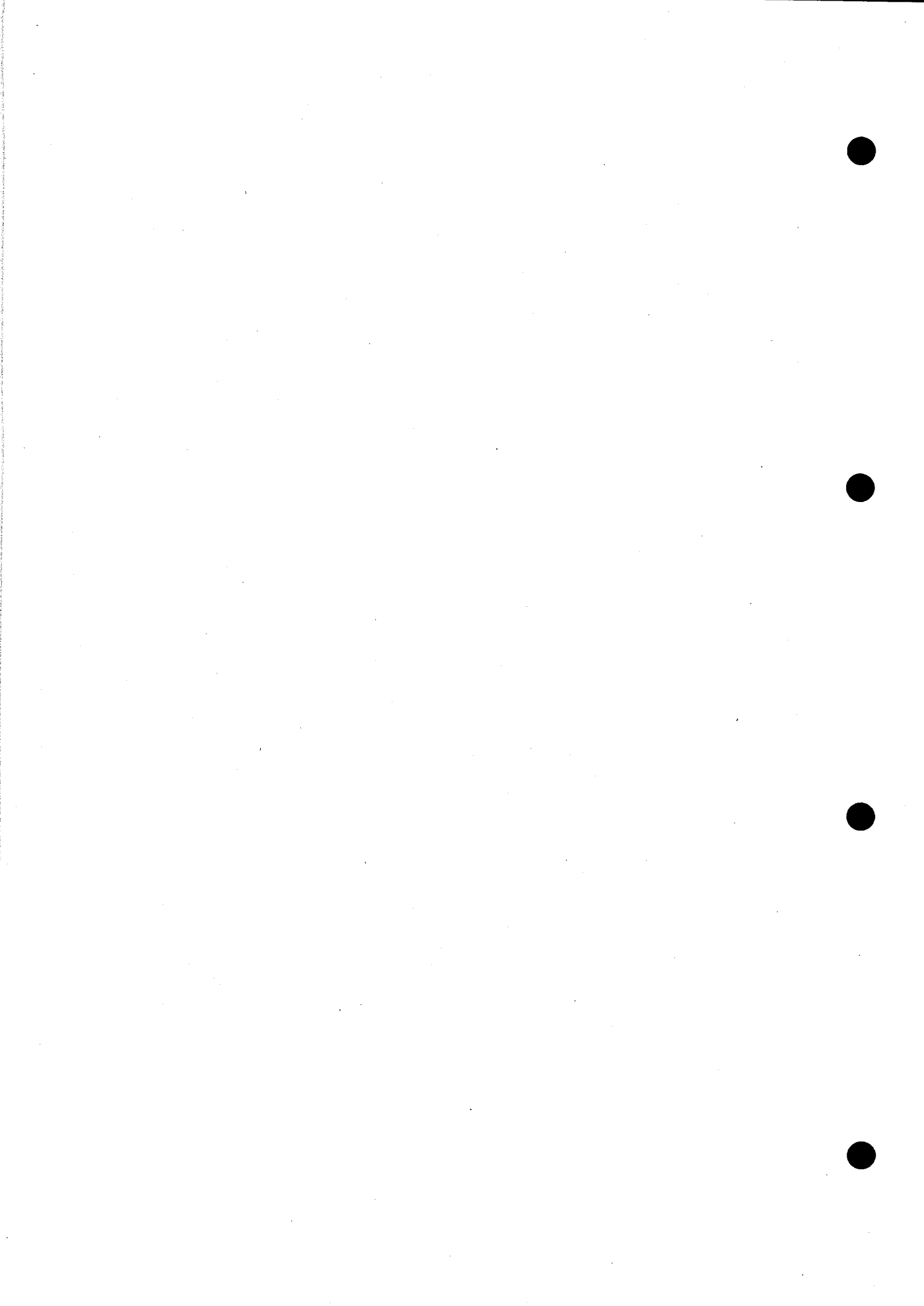
CABLE ASSEMBLY, RADIO FREQUENCY
(Cable, Feeder, Antenna)

242/5995-99-652-7671

(G.A. Drawing No. SD2/265352)

(Circuit Diagram No. N/A)







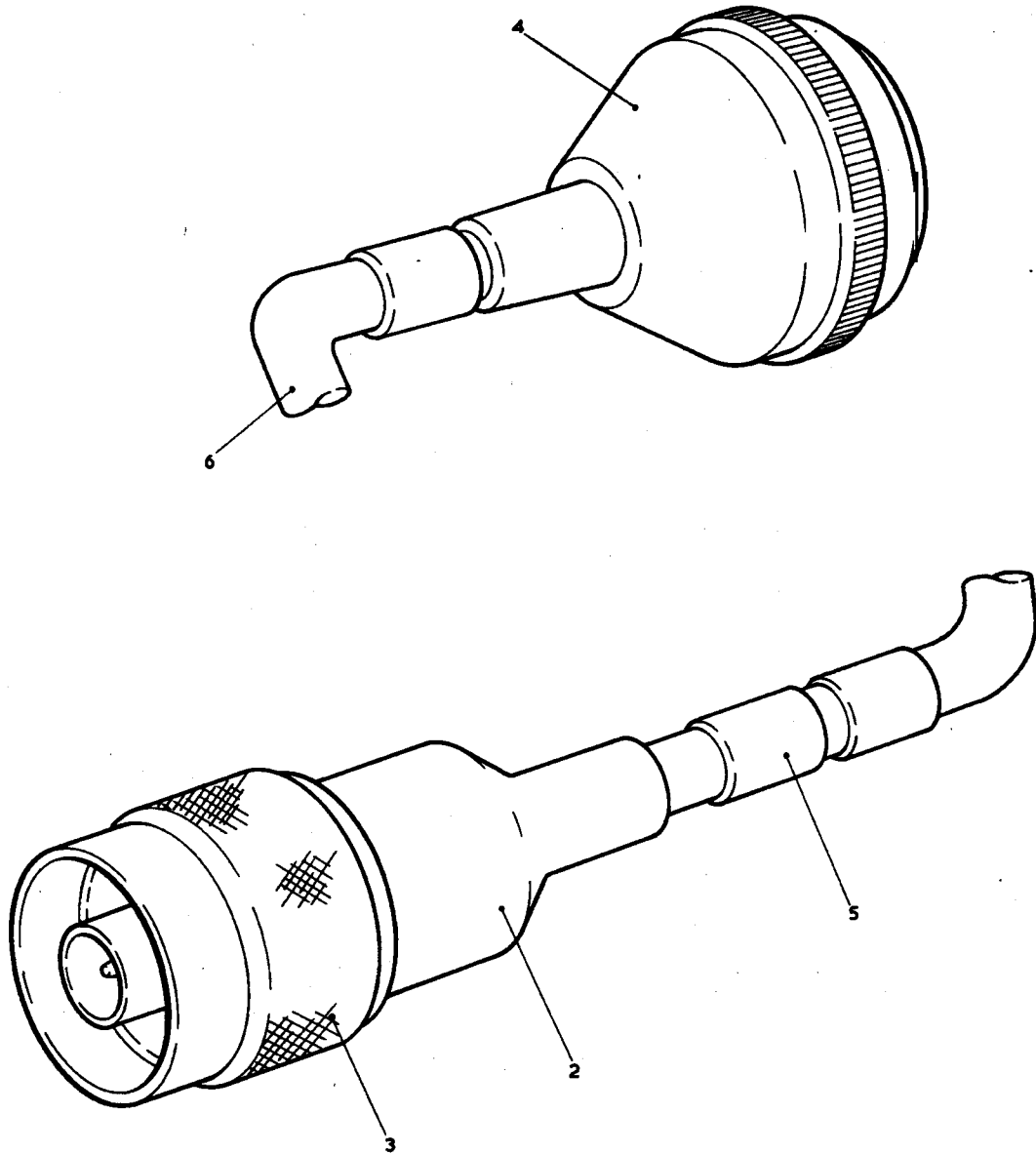
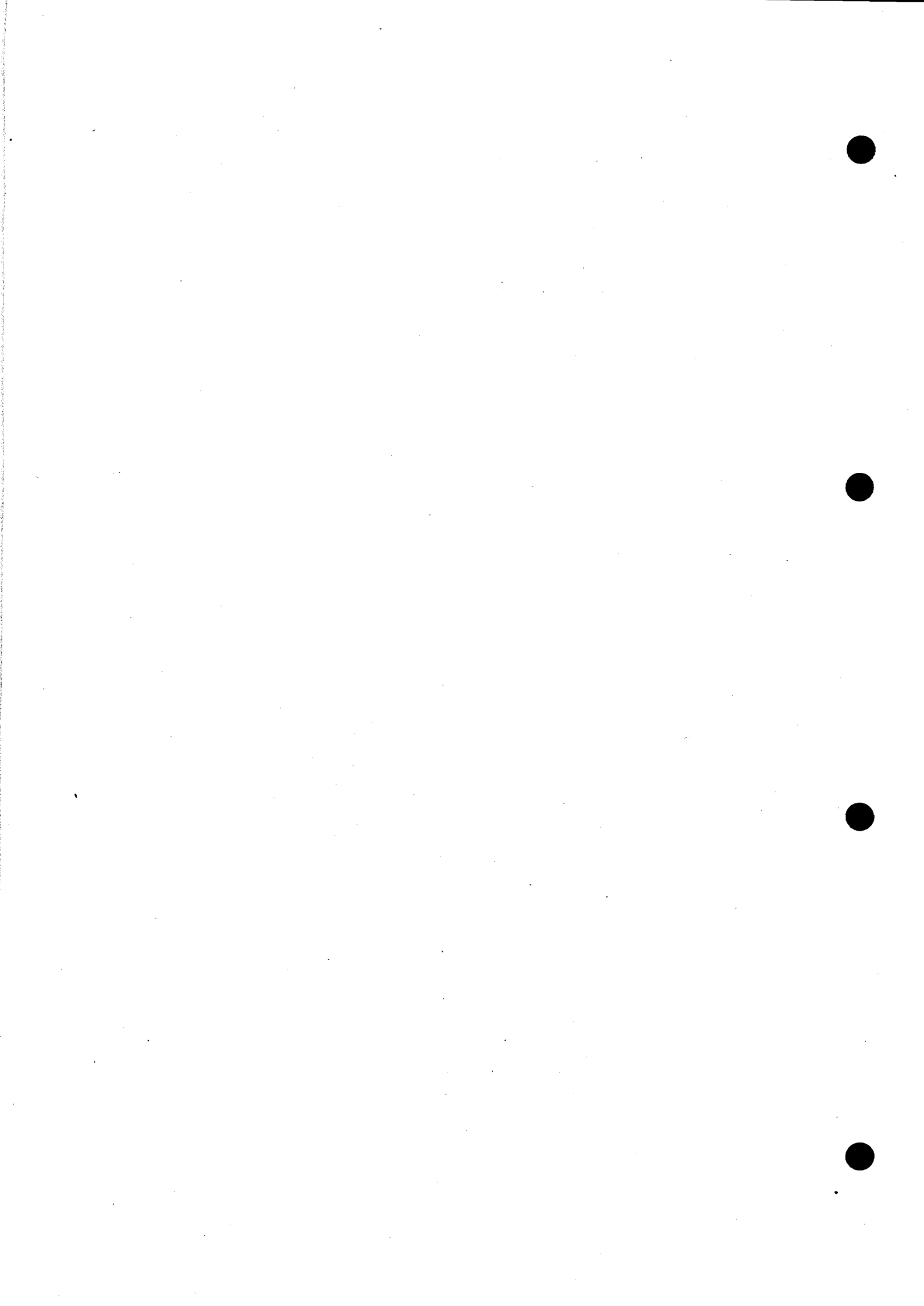


FIG. 1 CABLE ASSEMBLY, RADIO FREQUENCY
(Cable Feeder-Vehicle Antenna)

PARTS LIST

CABLE ASSEMBLY, RADIO FREQUENCY (Cable, Feeder, Antenna) Z42/5995-99-652-7671

Fig-Item	Man Code Navy - N Army - A RAF - R	NATO Stock No.	Indent	Item Name and Description	Part No/ Drawing No.	No. off	Annotations	
							Class of Store and Serv. Line	CCT Ref.
1	A Z42	5995-99-652-7671	A	CABLE ASSEMBLY, RADIO FREQUENCY (Cable, Feeder, Antenna) coaxial; connector external, straight both ends	SD2/ 265352	Ref		
1-2	A Z42	5970-99-001-1340	B	BOOT, DUST AND MOISTURE SEAL polyolefin; rigid; shrinkable; 0.630in. id 1st end, 0.650in. id 2nd end; 1in. lg o/a	Raychem 202A-111-3	1		
3	A Z32	5935-99-658-3180	B	CONNECTOR, FREE, ELECTRICAL straight shape; thd. coupling; 1 mating end 1 contact; 1000V ac; cable clamp; 1/4m dia; brass and plastics	Greenpar GE15055C60	1		
4	A Z1	5820-99-649-0621	B	CONNECTOR	Storno 41.0215-00	1		
5	- -	NP	B	sleeving 3mm id, pink	BS 3858 Type 3	AR		
6	A Y3	6145-99-014-9533	B	CABLE, RADIO FREQUENCY coaxial; 50 ohms; solid conductor; copper shield; w/jacket	BS 2316 Pt.3 URM#3	14.5 m		



Chapter 2-1-8

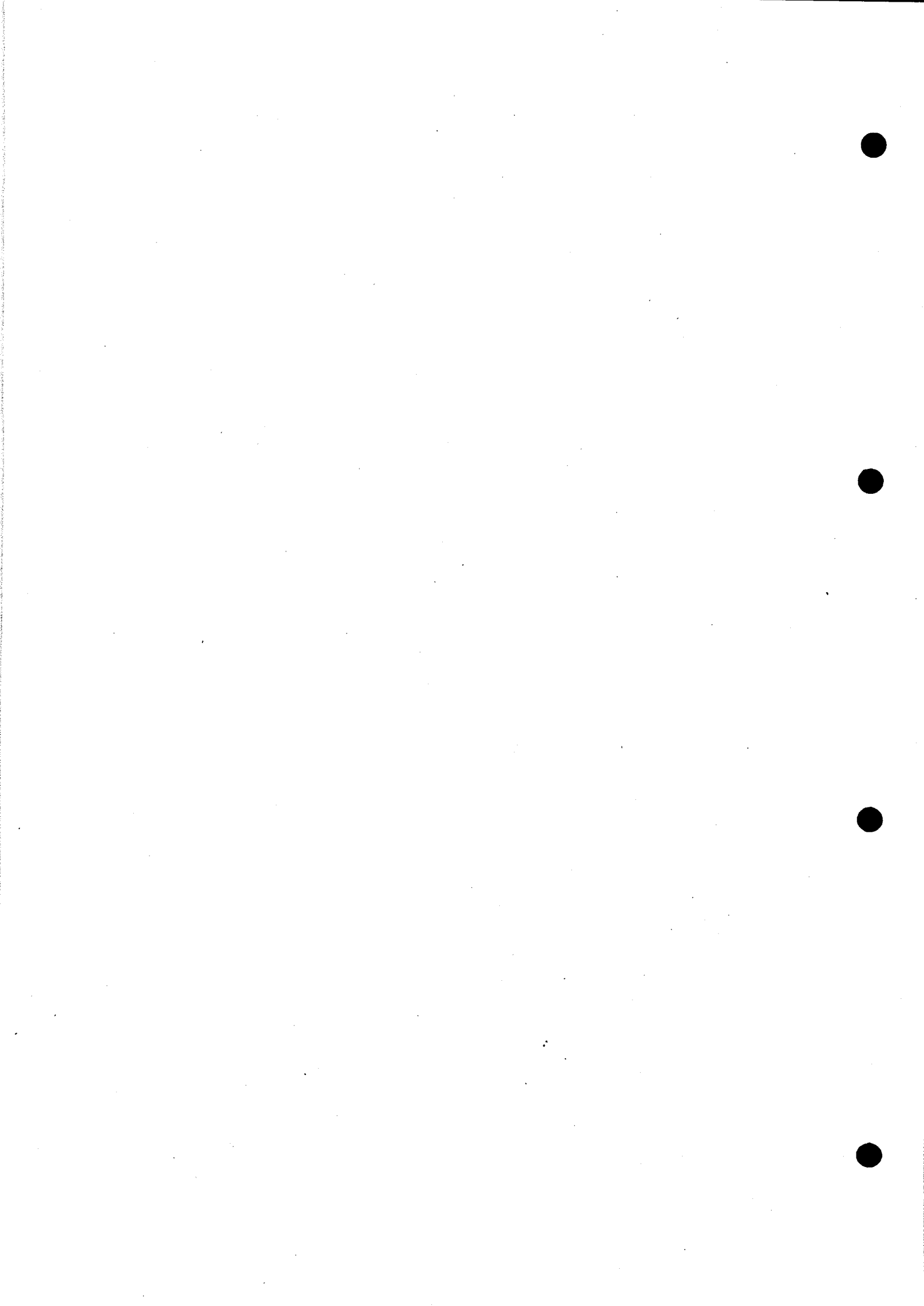
PARTS LIST

**SHIPPING AND STORAGE CONTAINER
(Skypak Transit Case)**

Z4/8145-99-652-7748

(G.A. Drawing No. SDO/265381)

(Circuit Diagram No. N/A)







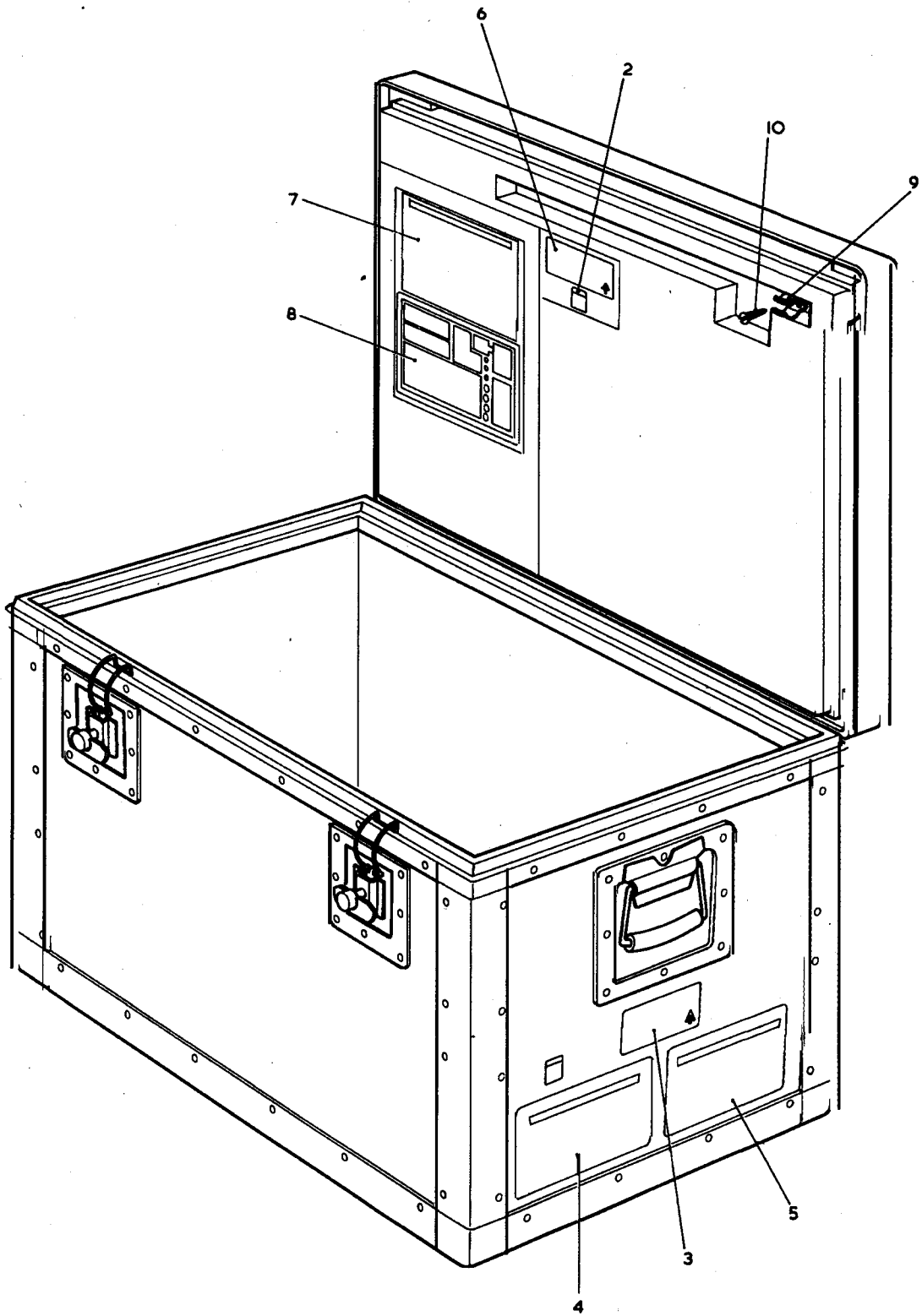


FIG.1 SHIPPING AND STORAGE CONTAINER
(Skypak Transit Case)

RESTRICTED

5820-F-300-711

ARMY EQUIPMENT
SUPPORT PUBLICATIONS

Chapter 2-1-8

PARTS LIST

SHIPPING AND STORAGE CONTAINER (Skypak Transit Case) Z4/:

-652-7748

Fig-Item	Man Code Navy - N Army - A RAF - R		NATO Stock No.	Indent	Item Name and Description	Part No/ Drawing No.	No. off	Annotations	
								Class of Store and Serv. Line	CCT Ref.
1	A	Z1	8145-99-652-7748	A	SHIPPING AND STORAGE CONTAINER (Skypak Transit Case) plastics; 665mm lg, 412mm w, 395mm h; contains RADIO STATION	SDO/ 265381	Ref		
1-2	A	Z2	9905-99-649-2246	B	PLATE MODIFICATION RECORD aluminium foil; .875" by .625", self adhesive	R.A.E. WTB111527 /14	2		
3	A	Z1	9905-99-658-4763	B	PLATE, IDENTIFICATION plastics coated metal; rect; black background silver; inscription; inscribed with equipment name and part no.; 100mm by 40 mm by 0.13mm thk	SD2/ 246520	1		
4	A	Z1	9905-99-658-4762	B	PLATE, INSTRUCTION plastic coated aluminium; inscribed: -WARNING, PRESSURE TESTING PLUGS ON THIS EQUIPMENT ARE TO BE LOOSENED BEFORE IT IS AIR TRANSPORTED; 150 mm lg, 80mm w, 0.13mm thk; self adhesive.	SD3/ 246500	1		
5	A	Z1	9905-99-658-4760	B	PLATE, IDENTIFICATION plastic coated aluminium; rect; signal red background, white inscription; inscribed WEIGHT OF CONTAINER UNLADEN 15.50Kg, LADEN 42.50 Kg; 150mm lg, 80mm w, 0.13mm thk.	SD3/ 246521	1		

Chap 2-1-8

Page 7

Nov 83 (Amdt 3)

RESTRICTED

Fig- Item	Man Code		NATO Stock No.	indent	Item Name and Description	Part No/ Drawing No.	No. off	Annotations	
	Navy -N	Army -A RAF -R						Class of Store and Serv. Line	CCT Ref.
1-6	A	Z1	9905-99-658-4759	B	PLATE, IDENTIFICATION plastic coated aluminium; rect; black background; natural inscription; inscribed SHIPPING AND STORAGE CONTAINER 8415-99-652- 7748; 75mm lg, 30mm w, 0.13mm thk	SD3/ 265437	1		
7	A	Z1	9905-99-658-4756	B	PLATE, IDENTIFICATION aluminised film; rect; aluminium background; black inscription; inscribed 1 to 20 w/ NSN, Item name and quantities	SD2/ 246518	1		
8	A	Z1	9905-99-658-4761	B	PLATE, DESIGNATION aluminised polyester film; inscribed with stowage details; self adhesive	SD2/ 246519	1		
9	A	6MT1	5340-99-200-0880	B	CLIP, SPRING TENSION steel; 23/32in. dia loop; 3/8in. w, 1 hole fixing	Herbert Terry 481.075 L896/2	1		
10	A	G1	5305-99-135-5163	Z	SCREW, WOOD steel; rd hd; slot drive; zinc plated; no.4 by 3/8in. lg	BS 1210	1		

Chapter 2-1-8-1

PARTS LIST

SHIPPING AND STORAGE CONTAINER
(Skypak Transit Case)

Z1/8145-99-746-0843

(G.A. Drawing No. SDO/265660)

(Circuit Diagram No. N/A)





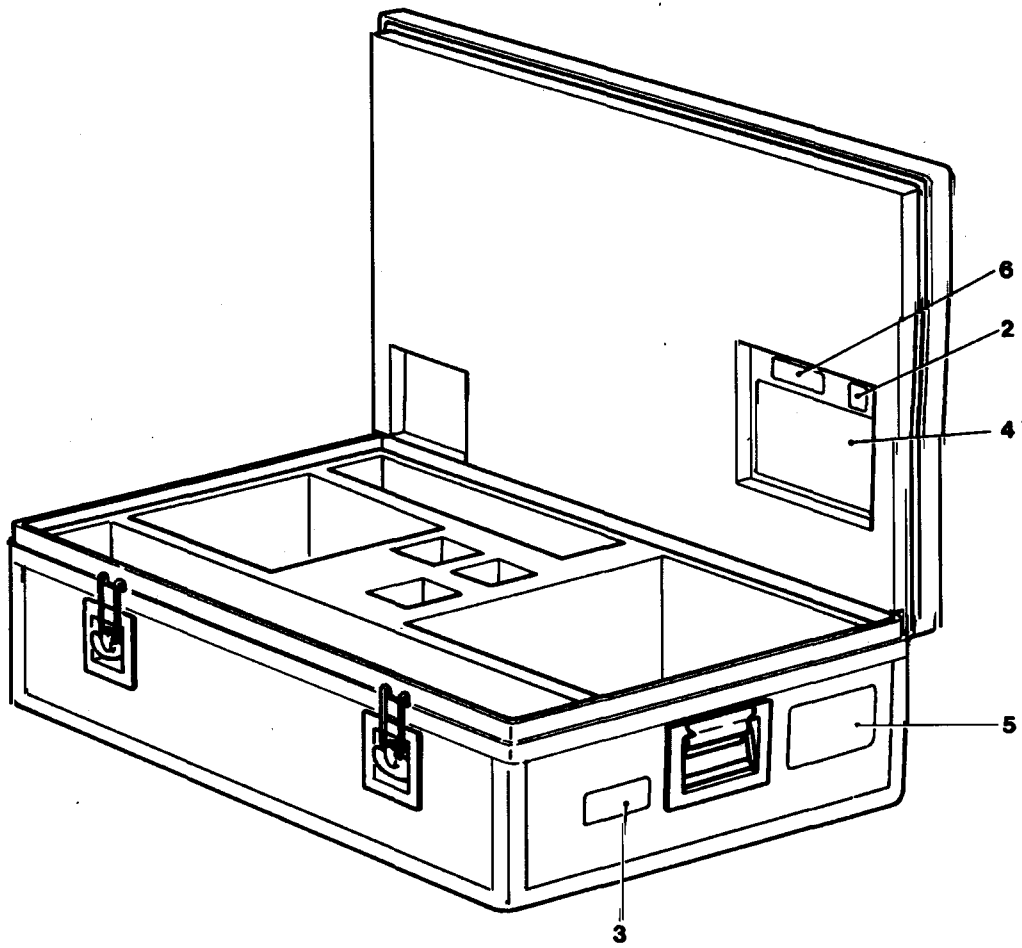


FIG1 SHIPPING AND STORAGE CONTAINER

RESTRICTED

5820- F-300-711

ARMY EQUIPMENT
SUPPORT PUBLICATIONS

Chapter 2-1-8-1

SHIPPING AND STORAGE CONTAINER Z1/8145-99-746-0843

Fig Item	Man Code		NATO Stock No	Indent	Item Name and Description	Part No/ Drawing No	No. Off	Annotations	
	Navy - N	Army - A						RAF - R	Class of Store and Serv Line
1	A	Z1	8145-99-746-0843	A	SHIPPING AND STORAGE CONTAINER	SD0/ 265660	Ref		
1-2	A	Z2	9905-99-649-2246	B	PLATE MODIFICATION RECORD	R.A.E WTB 111527/ 14	1		
3	A	Z1	9905-99-658-4763	B	PLATE IDENTIFICATION Plastic coated metal, rect, black background silver inscription; inscribed with equipment name and part no; 100mm by 40mm by 0.13 mm thk.	SD2/ 246520	1		
4	A		9905-99-764-7785	B	PLATE, DESIGNATION aluminium film, 0.003" thk, rectangular.	SD3/ 265663	1		
5	A		9905-99-764-7786	B	PLATE, IDENTIFICATION metal cal. varnished, 150mm lg, 80mm W, 0.13 thk, inscribed: WEIGHT OF CONTAINER UNLADEN - KG, LADEN - KG	SD3/ 265664	1		
6	A		9905-99-764-7787	B	PLATE, IDENTIFICATION aluminium, anodized, 75.00mm lg, 30.00mm W, 0.13mm thk, inscribed: SHIPPING & STORAGE CONTAINER, (NSN) 8145-99-746-0843 S/No. AAT	SD3/ 265662	1		

Chapter 2-1-9

PARTS LIST

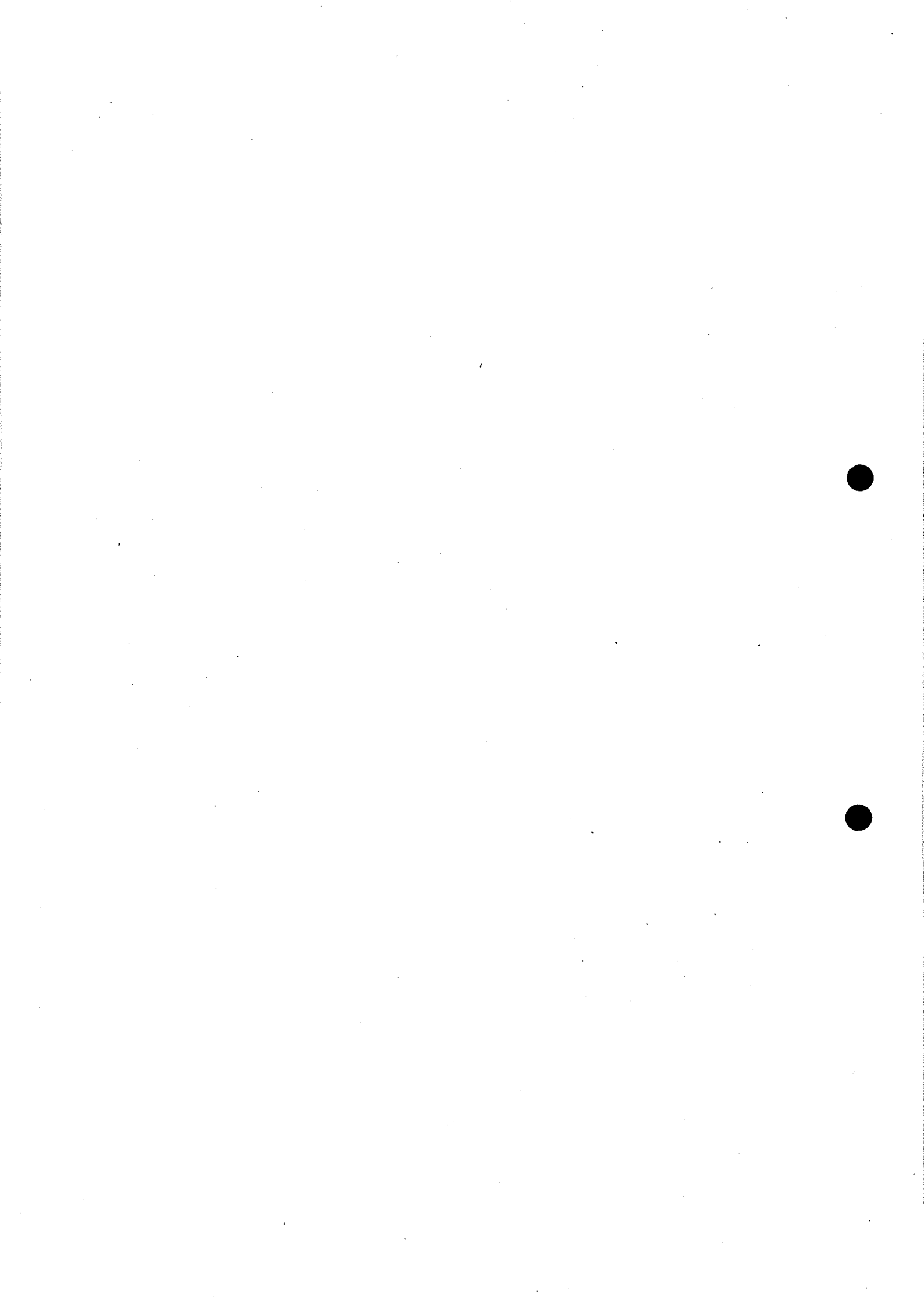
OSCILLATORS, RADIO FREQUENCY
(Crystal Oscillator Modules-Transmitter)

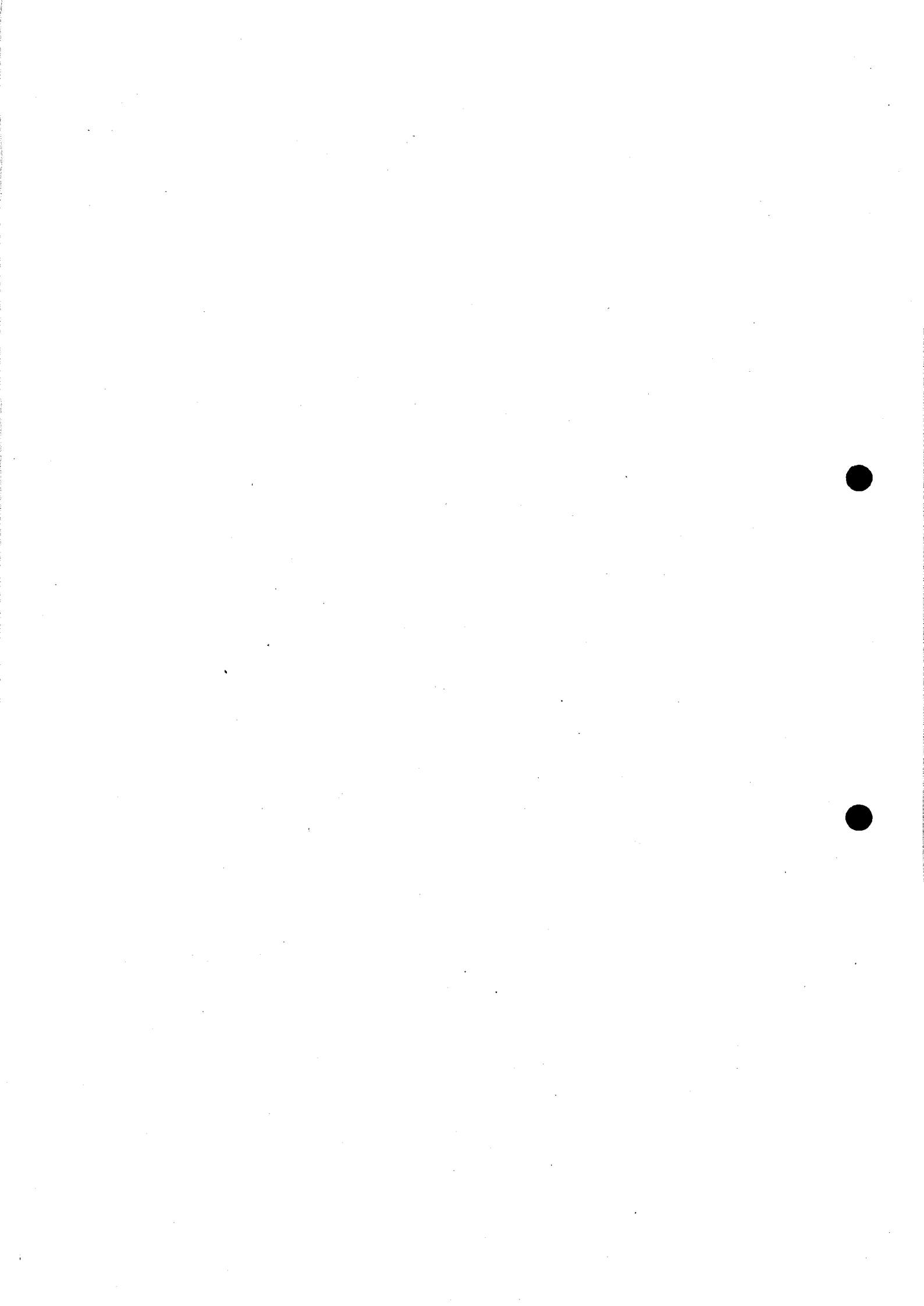
(G.A. Drawing No. X0865)

(Circuit Diagram No. D402.256)

NOTE:-

All Part nos. in this Chapter
unless otherwise stated refer
to STORNO LTD., CAMBERLEY,
SURREY





Chapter 2-1-9

PARTS LIST

OSCILLATORS, RADIO FREQUENCY (Crystal Oscillator Modules-Transmitter)

Fig-Item	Man Code		NATO Stock No.	Indent	Item Name and Description	Part No/ Drawing No.	No. off	Annotations	
	Navy - N	Army - A						RAF - R	Class of Store and Serv. Line
1 NI	-	-	-	A	OSCILLATORS, RADIO FREQUENCY (Crystal Oscillator Modules-Transmitter)	X0865 10.3479-00	Ref		
2 NI	A	Z1	5820-99-653-2719	B	OSCILLATOR, RADIO FREQUENCY Red 1mW; 7.5V ± 2%		AR		
3 NI	A	Z1	5820-99-653-2720	B	OSCILLATOR, RADIO FREQUENCY Yellow 1mW; 7.5V ± 2%		AR		
4 NI	A	Z1	5820-99-653-6795	B	OSCILLATOR, RADIO FREQUENCY Blue 1mW; 7.5V ± 2%		AR		
5 NI	A	Z1	5820-99-653-2721	B	OSCILLATOR, RADIO FREQUENCY Red 1 1mW; 7.5V ± 2%		AR		
6 NI	A	Z1	5820-99-653-2722	B	OSCILLATOR, RADIO FREQUENCY Yellow 1 1mW; 7.5V ± 2%		AR		
7 NI	A	Z1	5820-99-653-2723	B	OSCILLATOR, RADIO FREQUENCY Blue 1 1mW; 7.5V ± 2%		AR		
8 NI	A	Z1	5820-99-653-2724	B	OSCILLATOR, RADIO FREQUENCY Red 2 1mW; 7.5V ± 2%		AR		
9 NI	A	Z1	5820-99-653-2725	B	OSCILLATOR, RADIO FREQUENCY Yellow 2 1mW; 7.5V ± 2%		AR		

Fig-Item	Man Code Navy - N Army - A RAF - R		NATO Stock No.	Indent	Item Name and Description	Part No/ Drawing No.	No. off	Annotations	
								Class of Store and Serv. Line	CCT Ref.
10 NI	A	Z1	5820-99-653-2726	B	OSCILLATOR, RADIO FREQUENCY Blue 2 1mW; 7.5V ± 2%		AR		

Chapter 2-1-10

PARTS LIST

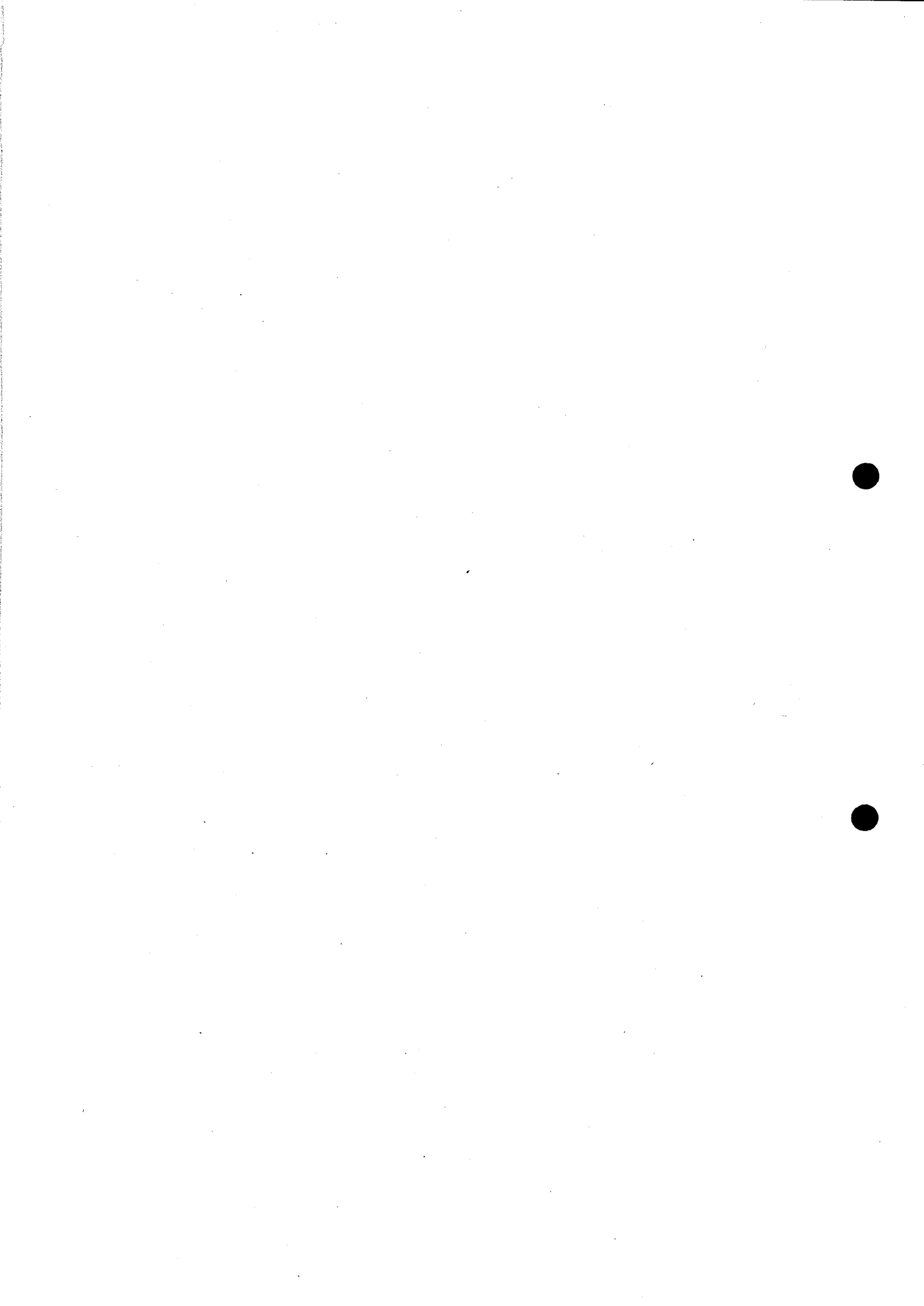
**OSCILLATORS, RADIO FREQUENCY
(Crystal Oscillator Modules-Receiver)**

(G.A. Drawing No. X0866)

(Circuit Diagram No. D402.256)

NOTE:-

All Part nos. in this Chapter
unless otherwise stated refer
to STORNO LTD., CAMBERLEY,
SURREY





RESTRICTED

ARMY EQUIPMENT
SUPPORT PUBLICATIONS

5820-F-300-711

Chapter 2-1-10

PARTS LIST

OSCILLATORS, RADIO FREQUENCY (Crystal Oscillator Modules-Receiver)

Fig-Item	Man Code		NATO Stock No.	Indent	Item Name and Description	Part No/ Drawing No.	No. off	Annotations	
	Navy - N	Army - A						RAF - R	Class of Store and Serv. Line
1 NI	-	-	-	A	OSCILLATORS, RADIO FREQUENCY (Crystal Oscillator Modules-Receiver)	X0866 10.3480-00	Ref		
2 NI	A	Z1	5820-99-653-2727	B	OSCILLATOR, RADIO FREQUENCY Red 1 1mW; 7.5V, ± 2%		AR		
3	A	Z1	5820-99-653-2728	B	OSCILLATOR, RADIO FREQUENCY Yellow 1 1mW; 7.5V, ± 20%		AR		
4 NI	A	Z1	5820-99-653-2729	B	OSCILLATOR, RADIO FREQUENCY Blue 1 1mW; 7.5V, ± 20%		AR		
5 NI	A	Z1	5820-99-653-2730	B	OSCILLATOR, RADIO FREQUENCY Red 1mW; 7.5V, ± 20%		AR		
6 NI	A	Z1	5820-99-653-2731	B	OSCILLATOR, RADIO FREQUENCY Yellow 1mW; 7.5V, ± 20%		AR		
7 NI	A	Z1	5820-99-653-5943	B	OSCILLATOR, RADIO FREQUENCY Blue 1mW; 7.5V, ± 20%		AR		
8 NI	A	Z1	5820-99-653-2732	B	OSCILLATOR, RADIO FREQUENCY Red 1mW; 7.5V, ± 20%		AR		
9 NI	A	Z1	5820-99-653-2733	B	OSCILLATOR, RADIO FREQUENCY Yellow 1mW; 7.5V, ± 20%		AR		

Fig-Item	Man Code Navy -N Army -A RAF -R		NATO Stock No.	Indent	Item Name and Description	Part No/ Drawing No.	No. off	Annotations	
								Class of Store and Serv. Line	CCT Ref.
10 NI	A	Z1	5820-99-653-2734	B	OSCILLATOR, RADIO FREQUENCY Blue 1mW; 7.5V, ± 20%		AR		

Chapter 2-2

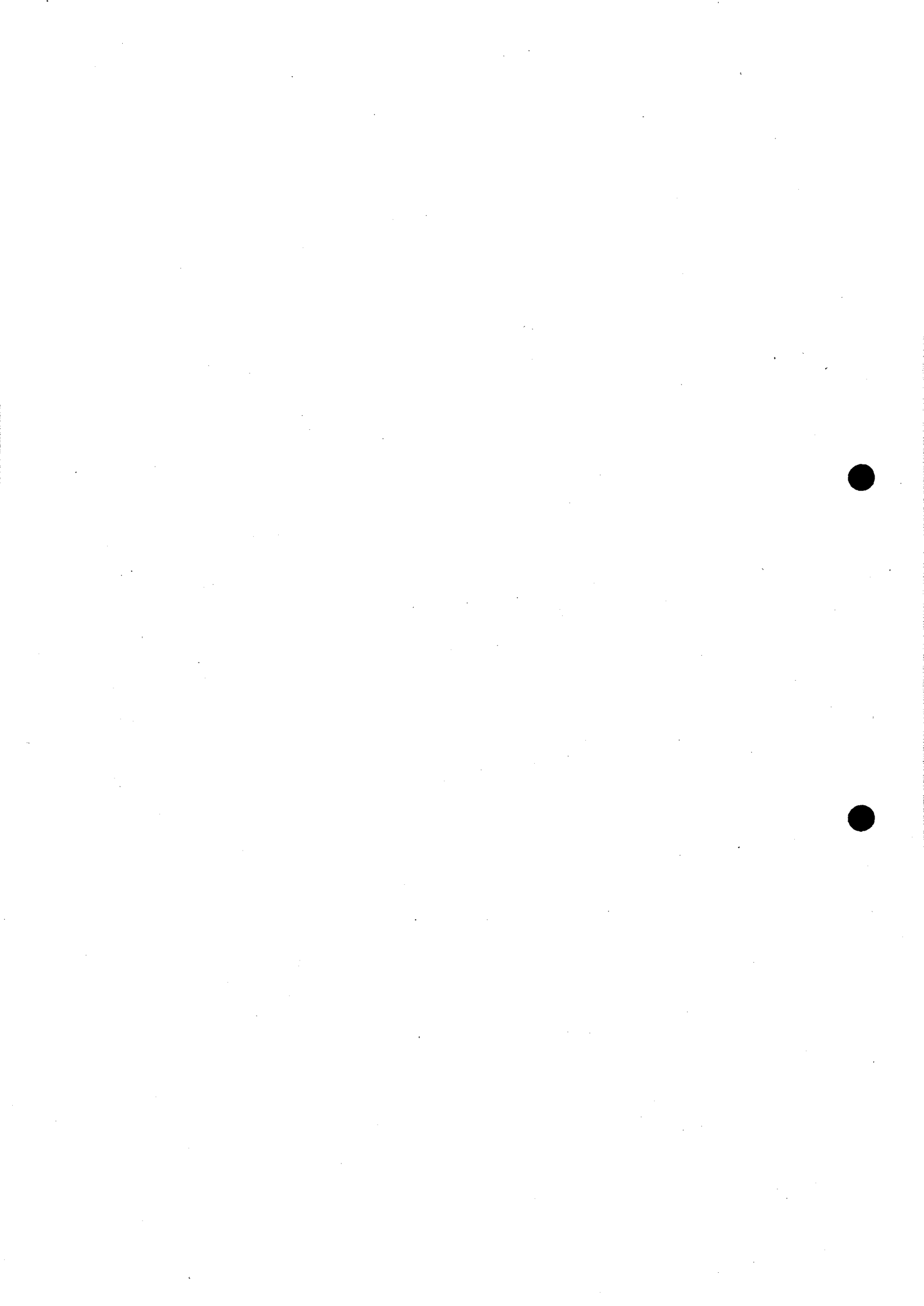
PARTS LIST

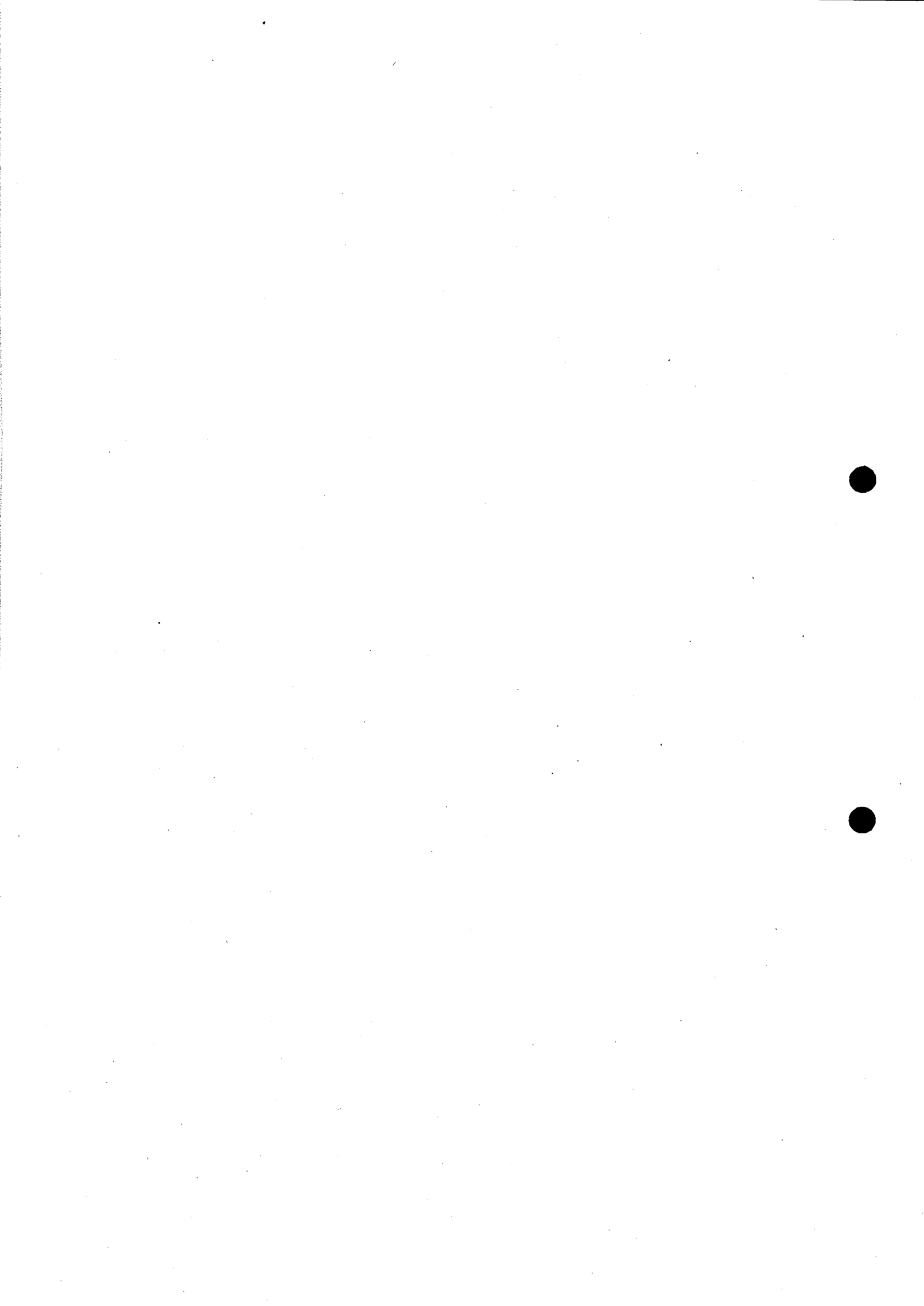
**INSTALLATION KIT, ELECTRONIC EQUIPMENT
(Vehicle Mounting Kit)**

Z1/5820-99-966-0616

(G.A. Drawing No. CES/D151/30 (CES/P/44968/1))

(Circuit Diagram No. N/A)





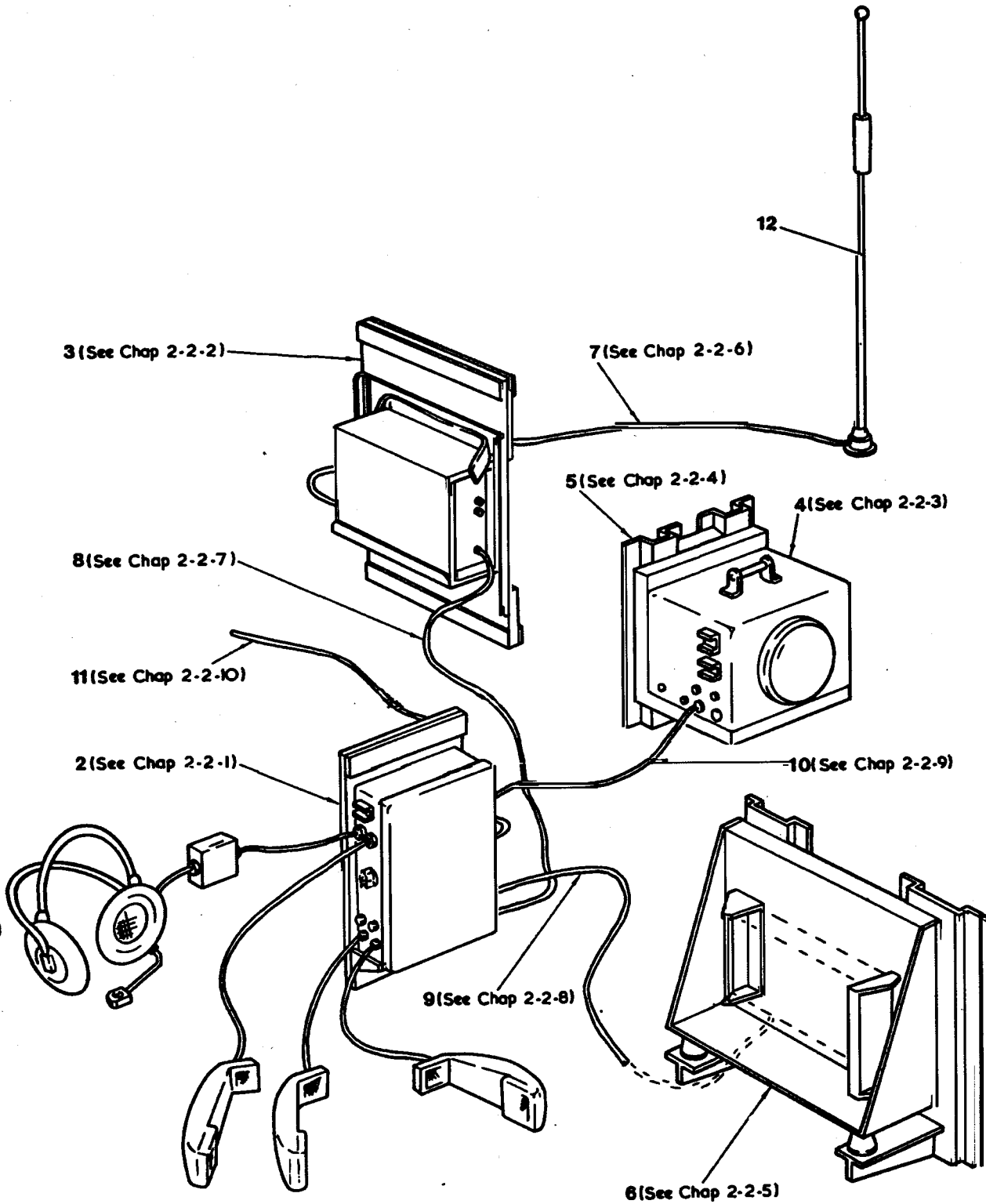
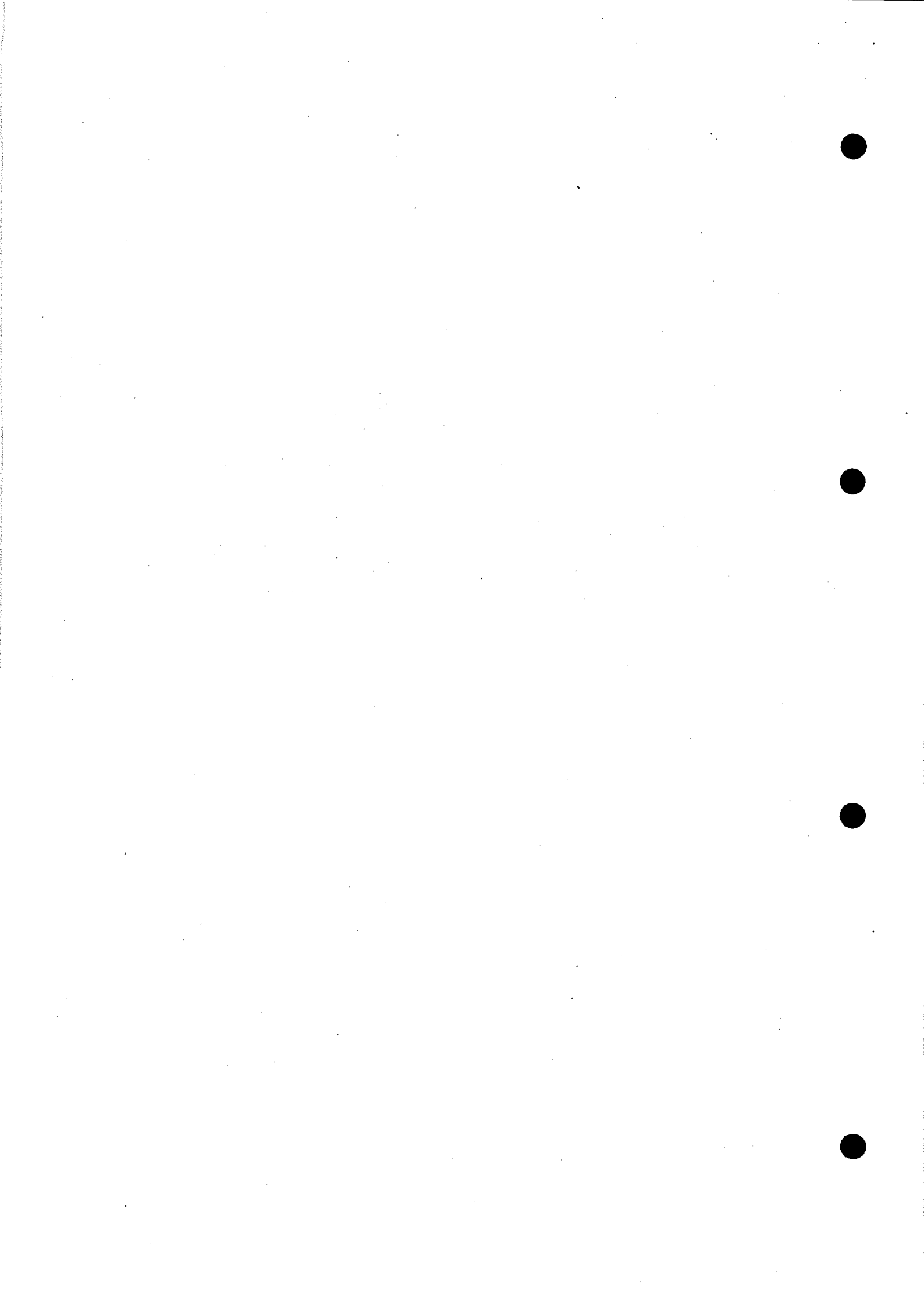


FIG. 1 INSTALLATION KIT, ELECTRONIC EQUIPMENT
(Vehicle Mounting Kit)



Chapter 2-2

PARTS LIST

INSTALLATION KIT, ELECTRONIC EQUIPMENT
(Vehicle Mounting Kit) Z1/5820-99-966-0616

Fig-Item	Man Code Navy - N Army - A RAF - R		NATO Stock No.	Indent	Item Name and Description	Part No/ Drawing No.	No. off	Annotations	
								Class of Store and Serv. Uns	CCT Ref.
1	A	Z1	5820-99-966-0616	A	INSTALLATION KIT, ELECTRONIC EQUIPMENT (Vehicle Mounting Kit)	CES/D151/ 30 SD4/ 265399	Ref	1	
1-2	A	Z1	5820-99-652-1366	B	VEHICLE CONTROL POINT UNIT (VCPU) Note:- For spares details refer to Chapter 2-2-1	SDO/ 265208	1	1	
3	A	Z1	5820-99-652-7730	B	FRAME, ELECTRICAL EQUIPMENT (CRU Mounting Frame) Note:- For spares details refer to Chapter 2-2-2	SDO/ 265362	1	1	
4	A	Z1	5820-99-652-7026	B	PUBLIC ADDRESS SET Note:- For spares details refer to Chapter 2-2-3	SDO/ 265301	1	1	
5	A	Z1	5820-99-652-7731	B	FRAME, ELECTRICAL EQUIPMENT (Mounting Frame LSAU) Note:- For spares details refer to Chapter 2-2-4	SDO/ 265321	1	1	
6	A	Z1	5820-99-653-0944	B	CHASSIS, ELECTRICAL EQUIPMENT (Mounting Frame, Tape Recorder) Steel; olive drab. Note:- For spares details refer to Chapter 2-2-5	SDO/ 265302	1	1	

Fig-Item	Man Code Navy -N Army -A RAF -R	NATO Stock No.	Indent	Item Name and Description	Part No/ Drawing No.	No. off	Annotations	
							Class of Store and Surv. Line	CCT Ref.
1-7	Z42	5995-99-773-7492		CABLE ASSEMBLY, RADIO FREQUENCY Note:- For spares details refer to Chapter 2-2-6	SD/A2/ 268414PD	1		
8	A	Z42	5995-99-652-7739	B	CABLE ASSEMBLY, SPECIAL PURPOSE, ELECTRICAL (VCPU-CRU) Note:- For spares details refer to Chapter 2-2-7	SD2/ 265307	1	
9	A	Z42	5995-99-652-7735	B	CABLE ASSEMBLY, SPECIAL PURPOSE, ELECTRICAL (Tape Recorder-VCPU) Note:- For spares details refer to Chapter 2-2-8	SD2/ 265376	1	
10	A	Z42	5995-99-652-7736	B	CABLE ASSEMBLY, SPECIAL PURPOSE, ELECTRICAL (LSAU-VCPU/PCPU) Note:- For spares details refer to Chapter 2-2-9	SD2/ 265351	1	
11	A	Z42	5995-99-652-7738	B	CABLE ASSEMBLY, POWER ELECTRICAL (Battery-VCPU) Note:- For spares details refer to Chapter 2-2-10	SD2/ 265377	1	
12	A	Z42	5985-99-773-7491	B	ANTENNA 3db co-linear, mobile antenna w/base; 5db gain; vertical polarisation; 1.3 to 1 VSWR; 850.00 mm approx lg, vehicle antenna	SD/A1/ 268413PD	1	

INSTALLATION KIT, ELECTRONIC EQUIPMENT
(Vehicle Mounting Kit) Z1/5820-99-966-0616

Fig Item	Man Code Navy - N Army - A RAF - R	NATO Stock No	Ident	Item Name and Description	Part No/ Drawing No	No. Off	Annotations	
							Class of Store and Serv Line	CCT Ref
14	A	5985-99-773-7491	B	ANTENNA 3db co-linear, mobile antenna w/base; 5db gain; vertical polarisation; 1.3 to 1 VSWR; 850.00mm approx lg, vehicle antenna.	SD/A1/ 268413PD	1		



Chapter 2-2-1

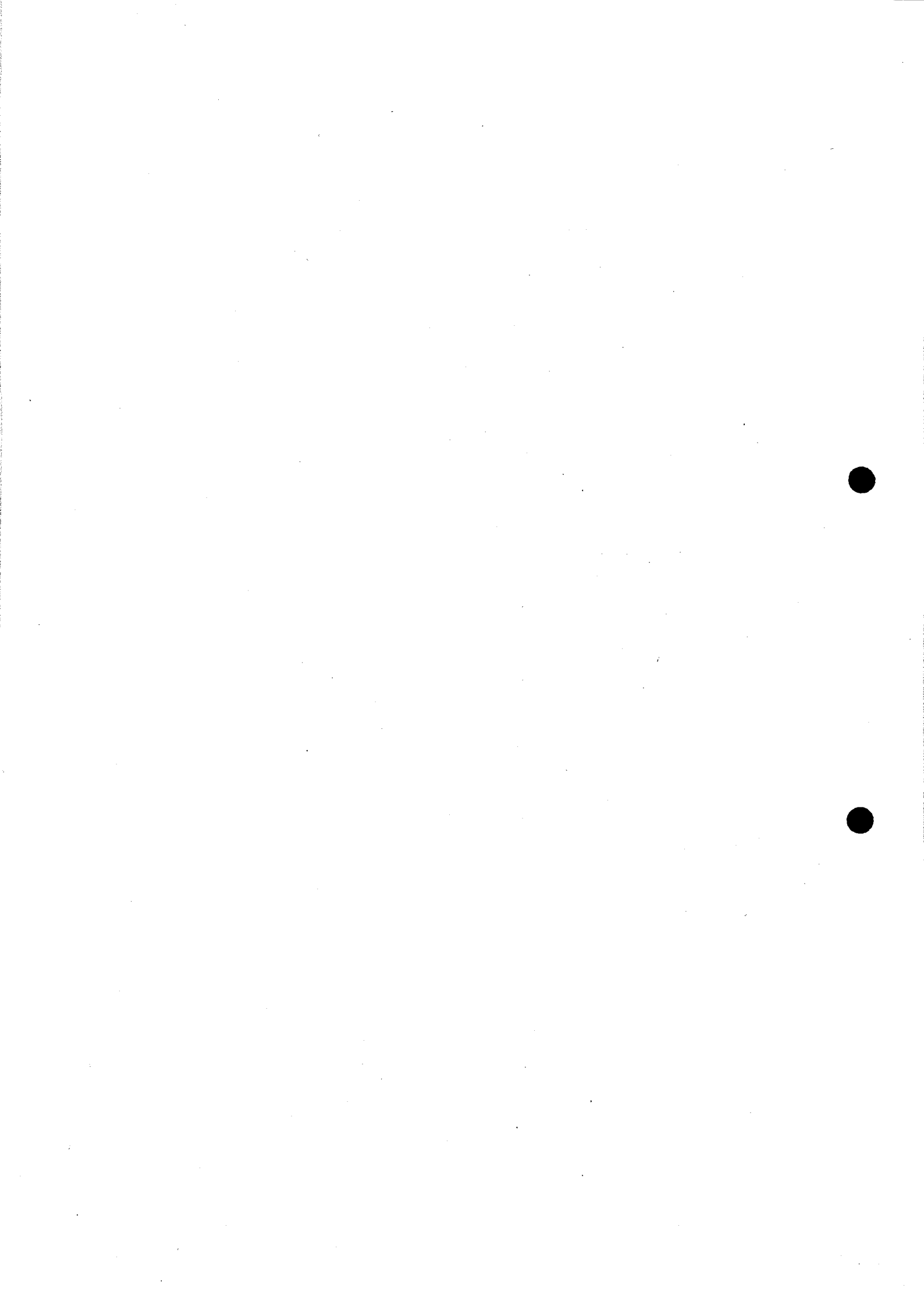
PARTS LIST

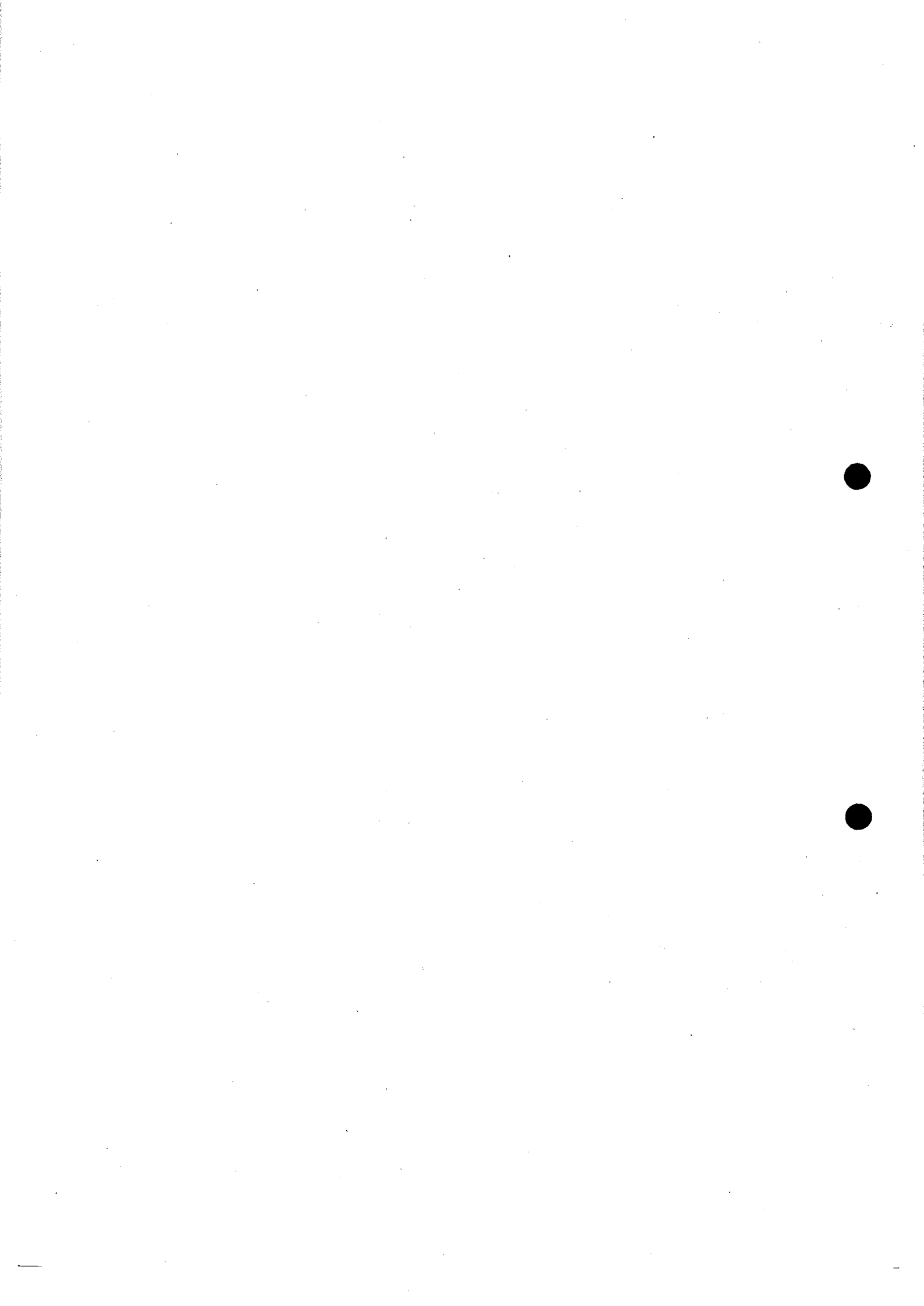
**VEHICLE CONTROL POINT UNIT ASSEMBLY
(VCPU)**

Z1/5820-99-652-1366

(G.A. Drawing No. SDO/265208)

(Circuit Diagram No. SD1/265285)





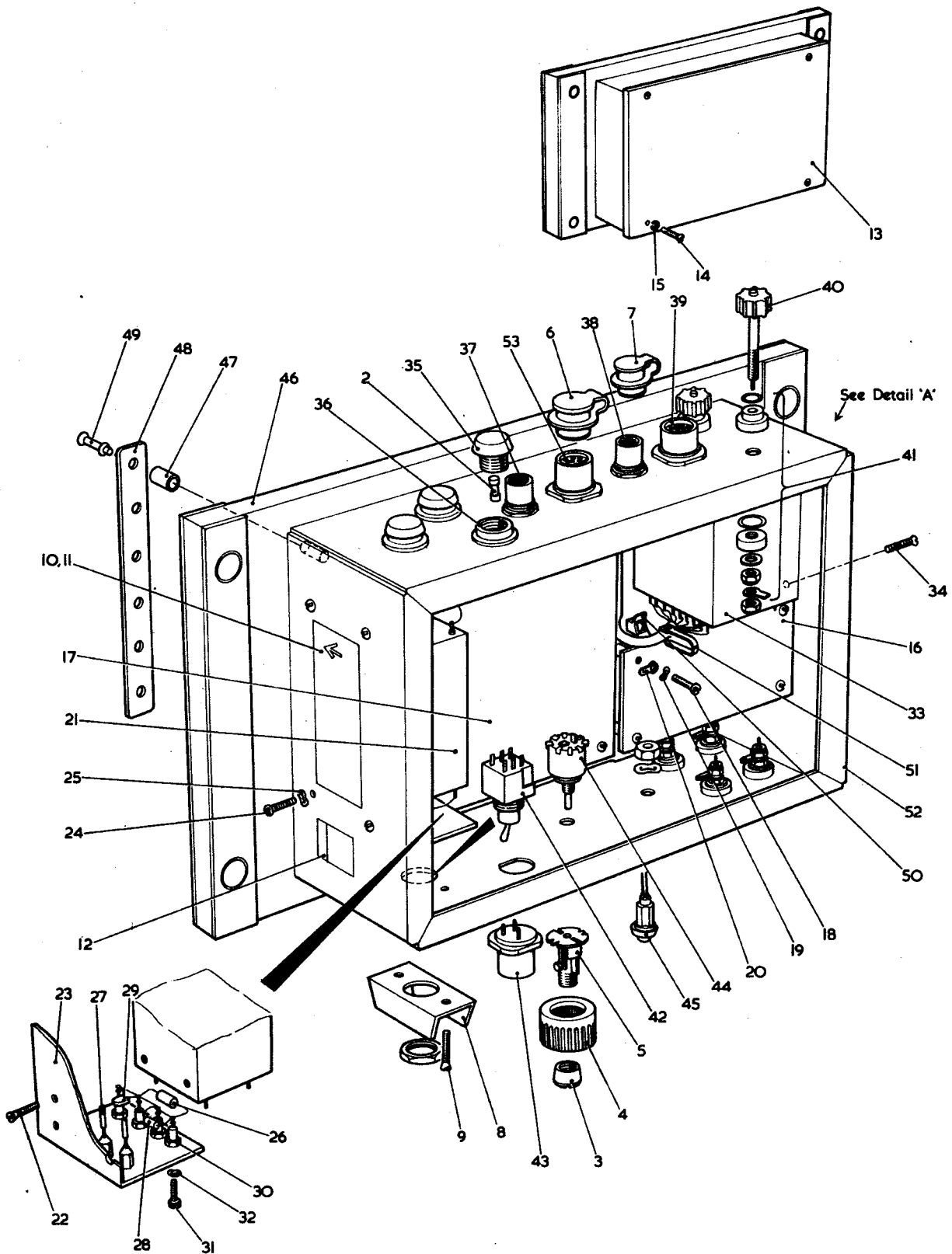


FIG. 1 VEHICLE CONTROL POINT UNIT ASSEMBLY (VCPU)



Chapter 2-2-1

PARTS LIST

VEHICLE CONTROL POINT UNIT ASSEMBLY (VCPU) Z1/5820-99-652-1366

Fig-Item	Man Code Navy - N Army - A RAF - R		NATO Stock No.	Indent	Item Name and Description	Part No/ Drawing No.	No. off	Annotations	
								Class of Store and Serv. Line	CCT Ref.
1	A	Z1	5820-99-652-1366	A	VEHICLE CONTROL POINT UNIT ASSEMBLY (VCPU)	SDO/ 265208	Ref		
1-2	A	Z32	5920-99-059-0137	B	FUSE LINK, CARTRIDGE ceramic; 2A, 250V ac; size 00	DEF Stan 59-14 (Pt.2) Belling & Lee L754/2	3		FS1 2 3
3	A	Z42	5999-99-097-0184	B	CAP, ELECTRICAL plastics; thd mtg; 43/64in. dia, 13/32in. lg	DEF 5221 Fig no.1	1		
4	A	Z1	5355-99-097-0186	B	KNOB plastics; finger type; adjustable; rd; 1/4in. bore, 1-1/8in. od; w/skirt	DEF 5221 Fig no.12	1		
5	A	Z2	5355-99-097-0183	B	INSERT, CONTROL, DIAL- KNOB collet type; adjustable; 1/4in. dia bore	DEF 5221 Fig no.2	1		
6	A	Z99	5935-99-626-4256	B	COVER, ELECTRICAL PLUG-SOCKET non-metallic; 66.45mm lg, 22.9mm w, 10.54mm h; friction mtg Note:- Used with SK1, 2,4 and 5	SD3/ 235131 Thorn 05-1625- 10	4		
7	A	Z99	5935-99-631-0681	B	COVER, ELECTRICAL PLUG-SOCKET non-metallic; 55.2mm lg 18.4mm w, 10.54mm h friction mtg Note:- Used with SK3 and PL1	SD3/ 235130 Thorn 05-1625-8	2		

Fig-Item	Man Code Navy -N Army -A RAF -R		NATO Stock No.	Indent	Item Name and Description	Part No/ Drawing No.	No. off	Annotations	
								Class of Store and Serv. Line	CCT Ref.
1-8	A	Z32	5930-99-652-5890	B	GUARD, SWITCH aluminium alloy; 48mm, 28mm w, 23mm h	SD3/ 265306	1		
9	A	G1	5305-99-122-5270	Z	SCREW, MACHINE ISO metric; steel; flat csk hd; zinc plated; slot drive; 3mm by 6mm lg; class 6g thd	BS 4183	2		
10	A	Z1	9905-99-652-6452	B	PLATE, IDENTIFICATION rect; silver background; black inscription; inscribed NSN No., SERIAL No. and MOD pheon; 75mm lg, 30mm w, 0.13mm thk Note:- When item 10 is marked with the required data it is designated as item 11	SD4/ 265217 A4/MZ/ 1104	1		
11	A	Z1	9905-99-658-4758	B	PLATE, IDENTIFICATION plastic coated metal; rect; black background natural inscription; inscribed V.C.P.U 5820-99-652-1366, SN, AAT & pheon; 75mm lg, 30mm w, 0.13mm thk	SD3/ 246462	1		
12	A	Z2	9905-99-649-2246	B	PLATE, MODIFICATION RECORD	MOD/RAE WTB 111527/ 14	1		
13	A	Z1	5820-99-652-5888	B	COVER, ACCESS, ELECTRICAL CHASSIS aluminium alloy; 280mm lg, 180mm w, 8mm h o/a dim.	SD2/ 265218 A2/MZ/ 1134	1		

ARMY EQUIPMENT
SUPPORT PUBLICATIONS

VEHICLE CONTROL POINT UNIT ASSEMBLY (VCPU) Z1/5820-99-652-1366

Fig-Item	Man Code Navy -N Army -A RAF -R		NATO Stock No.	Indent	Item Name and Description	Part No/ Drawing No.	No. off	Annotations	
								Class of Store and Serv. Line	CCT Ref.
1-14	A	G1	5305-99-135-0422	Z	SCREW, MACHINE ISO metric; steel; pan hd; slot drive; zinc plated; 4mm by 10mm lg; class 6g thd	BS 4183	4		
15	A	G1	5310-99-138-9225	Z	WASHER, LOCK steel; split helical ring; zinc plated; 4mm nom size; 6.95mm od, 1.2mm thk	BS 4464 Type A	4		
16	A	Z1	5820-99-652-1371	B	PANEL, ELECTRONIC CIRCUIT (VCPU Board no.2)	SD2/ 265211 A2/MZ/168	1		
17	A	Z1	5820-99-652-1372	B	PANEL, ELECTRONIC CIRCUIT (VCPU Board no.1)	SD1/ 265210 A1/MZ/137	1		
18	A	G1	5305-99-135-0414	Z	SCREW, MACHINE ISO metric; steel; pan hd; slot drive; zinc plated finish; 3mm by 0.50mm pitch; by 6mm lg; class 6g thd	BS 4183	10		
19	A	G1	5310-99-135-2545	Z	WASHER, SPRING TENSION beryllium copper; tin plated; 3mm nom bolt size; 6.40mm od, 0.61 mm o/a h	BS 4463	10		

Fig-Item	Man Code		NATO Stock No.	Indent	Item Name and Description	Part No/ Drawing No.	No. off	Annotations	
	Navy -N	Army -A						RAF -R	Class of Store and Serv. Line
1-20	A	Z37	5940-99-108-3117	Z	TERMINAL, LUG 4BA; brass; electro-tinned; 5/8in. lg, 21/64in. w, 13/64in. thk; 25 SWG conductor; soldered connection Note:- Items 18 to 20 incl. are consolidated attachment parts for items 16 and 17	Ross Courtney no.32/4BA	4		
21	A	Z1	6130-99-652-7746	B	CONVERTER dc to dc operation; 12V input, 15V dual output	Gardners Transformers NV7328	1		DC-C1
22	A	G1	5305-99-135-0414	Z	SCREW, MACHINE ISO metric; steel; pan hd; slot drive; zinc plated; 3mm by 0.50mm pitch by 6mm lg; class 6g thd	BS 4183	4		
23	A	Z1	5820-99-652-5887	B	BRACKET, CONVERTER aluminium alloy; 110mm lg, 50mm w, 40mm h	SD3/265212	1		
24	A	G1	5305-99-135-0422	Z	SCREW, MACHINE ISO metric; steel; pan hd; slot drive; zinc plated; 4mm by 10mm lg; class 6g thd	BS 4183	4		
25	A	G1	5310-99-135-2546	Z	WASHER, SPRING TENSION beryllium copper; tin plated; 4mm nom bolt size; 8.10mm od, 0.84 mm h	BS 4463	4		
26	A	Z30	5905-99-014-0539	B	RESISTOR, FIXED, WIRE WOUND 120 ohms, + 5%; 2.5W	BSCECC 40201-002 BS 9114 NOO2 2E-56- 2.5W	1		R1

VEHICLE CONTROL POINT UNIT ASSEMBLY (VCPU) Z1/5820-99-652-1366

Fig Item	Man Code		NATO Stock No	Indent	Item Name and Description	Part No/ Drawing No	No Off	Annotations	
	Navy - N	Army - A						RAF - R	Class of Store and Serv Line
1-27	A	Z31	5910-99-017-4540	B	CAPACITOR, FIXED CERAMIC DIELECTRIC 1 section; metal case; 1000pF + 80% - 20% 50V dc wkg	BS 9075-F006 Style C3DAY Oxley Dev DLT1000	3		C1 2 3
28	A	Z31	5910-99-649-3837	B	CAPACITOR, FIXED, CERAMIC DIELECTRIC 1 sect; plastics case; 0.1uF, ± 20%;50V dc wkg	Erie 8123Z-050-0104-OM-25U0	1		C4
29	A	Z31	5910-99-652-2206	B	CAPACITOR, FIXED, ELECTROLYTIC 1 sect; ceramic tantalum, porous anode; 1uF ± 20%;35V dc wkg	BS 9073-F002	1		C5
30	A	Z37	5940-99-913-8096	B	TERMINAL POST Single ended; non-tubular;hex;7/16 in. lg, 5/32in. w A/F double turret;brass; nickel plated	Harwin S.A. H8005	4		
31	A	G1	5305-99-122-0412	Z	SCREW, MACHINE BA; steel; hex hd; No.8 by 3/16 in. lg; normal class thd	BS 57	4		
32	A	G1	5310-99-943-6075	Z	WASHER, SPRING TENSION beryllium copper; cadmium plated;0.095 in.id,0.201 in.od, 0.015 in. h o/a	BS 3401	4		
33	A	Z37	5950-99-652-7741	B	TRANSFORMER, AUDIO FREQUENCY	SD4/ 265500 Gardners Trans- formers GR123023	1		T1

Fig Item	Man Code		NATO Stock No	Indent	Item Name and Description	Part No/ Drawing No	No Off	Annotations	
	Navy - N	Army - A						RAF - R	Class of Store and Serv Line
1-34	A	G1	5305-99-122-5277	Z	SCREW, MACHINE ISO metric; steel; flat csk hd; slot drive; zinc plated; 4mm by 10mm lg, class 6g thd	BS 4183	4		
35	A	Z32	5920-99-059-0009	B	CAP, ELECTRICAL single way; 250V ac/dc 2.5A	DEF 64 Fig 3	1		
36	A	Z32	5920-99-059-1061	B	FUSEHOLDER sealed; single way; 250V ac; 2.5A	DEF 64	3		
37	A	Z32	5935-99-663-0720	B	CONNECTOR, FIXED, ELECTRICAL, straight shape 63/64 in lg. 53/64 in dia, cad. PL, Olive drab CH. shell, 1 mat'g end, 4 cont, ins postn 700V dc wkg. al shell, rubb ins, brass cont, gold plate, bay pins.	Amphenol 62GB-5024 8-4-SW	1		SK5
38	A	Z32	5935-99-652-7752	B	SOCKET, ELECTRICAL fixed; aluminium; panel mtg; 700V dc; male shell; locking	Amphenol 62GB-57A- 8-45	1		SK3
39	A	Z32	5935-99-014-7206	B	SOCKET, ELECTRICAL fixed; female shell; 7 pole; orientation E	DEF Stan 59-35 Pt.1 Sect 3/1 CC1301-10 -7SE	1		SK4
40	A	Z37	5940-99-012-0234	B	POST, BINDING, ELECTRICAL single post; rd; 11/16 in. dia, 2-7/64 in. h; screw cap; 4BA; insulated	DEF 5335	6		
41	A	Z37	5940-99-652-8396	B	INSTALLATION KIT ELECTRICAL EQUIPMENT consists of 2 mouldings, 2 sealing rings, 1 washer; 1 solder tag; 2 locknuts	Belling & Lee 02	6		

VEHICLE CONTROL POINT UNIT ASSEMBLY (VCPU) Z1/5820-99-652-1366

Fig Item	Man Code		NATO Stock No	Ident	Item Name and Description	Part No/ Drawing No	No Off	Annotations	
	Navy - N	Army - A						RAF - R	Class of Store and Serv Line
1-42	A	Z32	5930-99-653-8435	B	SWITCH, TOGGLE dpdt;250Vac,1.5A,125V dc,3A,bushing mounted 29.40mm lg, 25-80mm h, 22.60mm w, rd,fully enc 6 solder lugs	BS 9572- FOO 04 Patt. 554A	1		SW1
43	A	Z99	5935-99-626-5472	B	SOCKET,ELECTRICAL fixed;alloy; 7 pole 5A,500V ac; female shell; locking type	SD/ C235025/ 1 Amphenol 62GB- 5016-10- 7SF	2		SK1 2
44	A	Z32	5930-99-653-7081	B	SWITCH,ROTARY 2 pole; 5 way; 16 position;2A 300V ac/dc	SD3/ 265361	1		SW2
45	A	Z42	5961-99-038-1974	B	LIGHT EMITTING DIODE	DEF Stan 1 59-61 Pt:90/185 -PSLH8 RED	1		LPI
46	A	Z1	5340-99-652-5889	B	MOUNT,RESILIENT rubber/steel;370mm lg;200mm w, 8mm thk; steel mtg. plates,2mm thk	SD1/ 265280	1		
47	A	Z1	5365-99-652-9902	B	SPACER, SLEEVE steel;zinc plated; 4.80mm id,7.50mm od, 8.00mm lg.	SD4/ 263915	10		
48			NP	B	PLATE,	SD3/ 265284	2		
49	A	G1	5320-99-719-2803 (NP)	Z	RIVET, TUBULAR aluminium alloy,csk hd;3/16 in.dia, 1/2 in. lg	Tucker AK/616	10		
50	A	Z42	5975-99-643-1802	B	CRADLE, ELECTRICAL nylon; for 4mm w strapping; self adhesive mtd; 14 mm w, 4.6mm h	Insuloid LXCT/SA	5		

Fig Item	Man Code		NATO Stock No	Indent	Item Name and Description	Part No/ Drawing No	No Off	Annotations	
	Navy - N	RAF - R						Class of Store and Serv Line	CCT Ref
1-51	A	Z4	5340-99-119-6084	B	STRAP, LINE SUPPORTING plastic strap and buckle; 3-5/8 in. lg, 3/32 in. w 3/64 in. thk	Insuloid T18R	30		
52	A	Z1	5820-99-652-5886	B	CASE, CONTROL aluminium alloy; 275mm lg; 175mm w, 70mm h	SD1/265209	1		
53	A	Z32	5935-99-012-8774	B	PLUG, ELECTRICAL	DEF Stan 59-35 PT.1 Sect.3 CC1301-10-2PC			PL1

Chapter 2-2-2

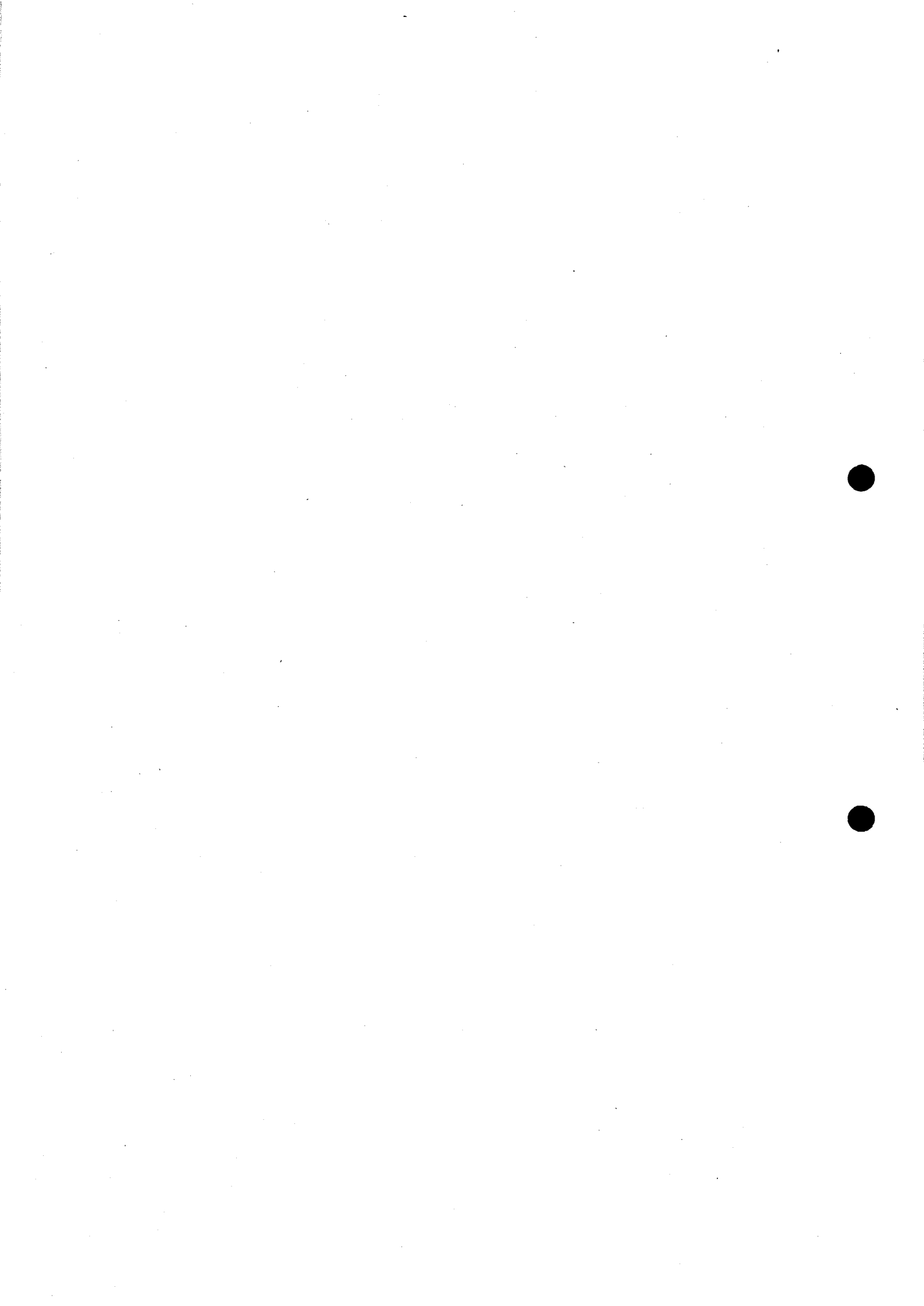
PARTS LIST

**FRAME, ELECTRICAL EQUIPMENT
(CRU Mounting Assembly)**

Z1/5820-99-652-7730

(G.A. Drawing No. SDO/265362)

(Circuit Diagram No. N/A)







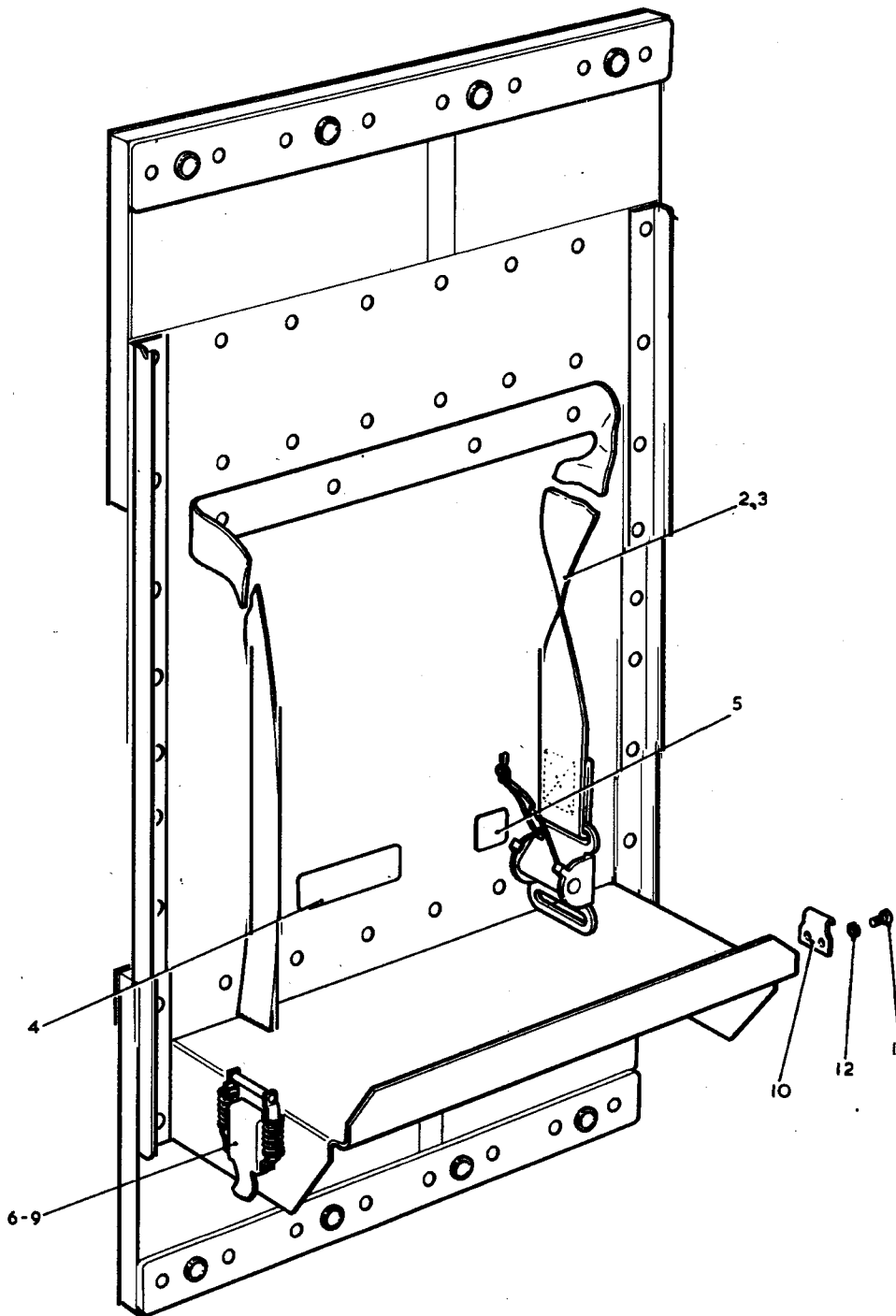


FIG.1 FRAME, ELECTRICAL EQUIPMENT
(CRU Mounting Assembly)

Chapter 2-2-2

PARTS LIST

FRAME, ELECTRICAL EQUIPMENT (CRU Mounting Assembly) Z1/5820-99-652-7730

Fig-Item	Man Code		NATO Stock No.	Indent	Item Name and Description	Part No/ Drawing No.	No. off	Annotations	
	Navy - N	Army - A						RAF - R	Class of Store and Serv. Line
1	A	Z1	5820-99-652-7730	A	FRAME, ELECTRICAL EQUIPMENT (CRU Mounting Assembly) aluminium alloy; anodised and painted olive drab	SDO/ 265362	Ref		
1-2	A	Z1	5340-99-656-2244	B	STRAP, WEBBING nylon; green; 850mm lg 25mm w; buckle one end	SD2/ 265373	1		
3	A	G1	5320-99-105-0868	Z	RIVET, BLIND aluminium alloy; universal hd; mechanically expanded type; 3/8in. nom lg under hd	Tucker AD46R	4		
4	A	Z1	9905-99-652-6452	B	PLATE IDENTIFICATION plastics; rect; silver background; black inscription; inscribed SERIAL No., NSN No.; 75mm lg, 30mm w, 0.13mm thk	SD4/ 265217	1		
5	A	Z2	9905-99-649-2246	B	PLATE, MODIFICATION RECORD	R.A.E. WTB111527 /14	1		
6	A	Z1	5340-99-652-5885	B	CATCH, TOGGLE LEVER steel; 53mm o/a lg, 35mm o/a w	SD3/ 265403 Ross Courtney P2/360179	1		
7	A	G1	5305-99-135-0414	Z	SCREW, MACHINE ISO metric; steel; pan hd; slot drive; zinc plated; 3mm by 6mm lg; class 6g thd	BS 4183	1		
8	A	G1	5310-99-135-9290	Z	WASHER, LOCK steel; split helical ring; 3mm nom bolt size; 5.50mm od, 1mm thk	BS 4464	1		

Fig-Item	Man Code Navy -N Army -A RAF -R		NATO Stock No.	Indent	Item Name and Description	Part No/ Drawing No.	No. off	Annotations	
								Class of Store and Serv. Line	CCT Ref.
1-9	A	G1	5305-99-122-5270	Z	SCREW, MACHINE ISO metric; steel; flat csk hd; zinc plated; slot drive; 3mm by 6mm lg; class 6g thd; 90 deg csk	BS 4183	1		
10	A	Z1	5340-99-652-6451	A	PLATE, CLIP RETAINER steel; cadmium plated; 14.80mm lg, 16.50mm w, 1.50mm thk; two 3.70mm dia mtg holes	SD4/ 265501 Ross Courtney C113/ 370085	1		
11	A	G1	5305-99-135-0414	Z	SCREW, MACHINE ISO metric; steel; pan hd; slot drive; zinc plated; 3mm by 6mm lg; class 6g thd	BS 4183	2		
12	A	G1	5310-99-135-9290	Z	WASHER, LOCK steel; split helical ring; 3mm nom bolt size; 5.50mm od, 1mm thk	BS 4464	2		

Chapter 2-2-3

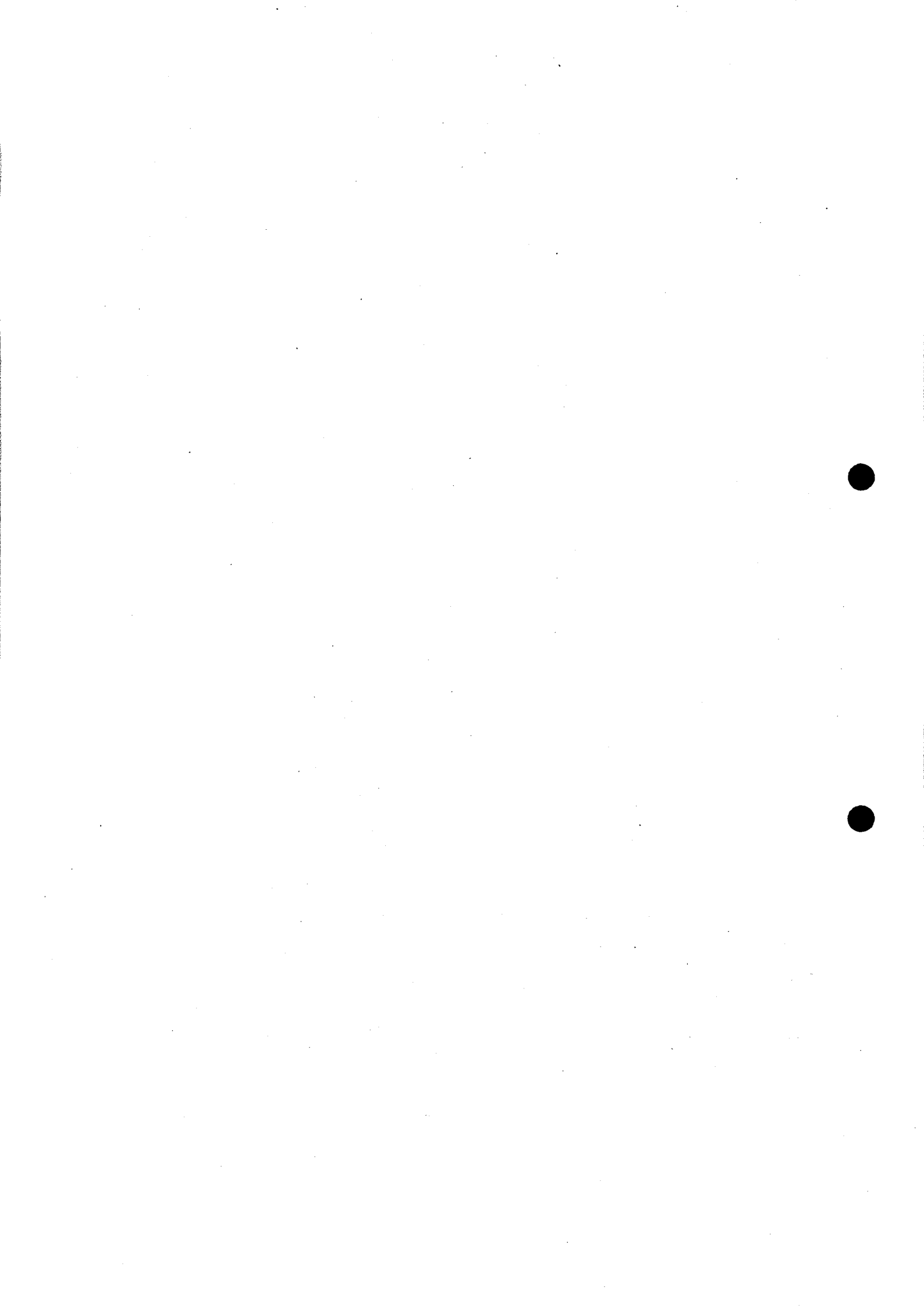
PARTS LIST

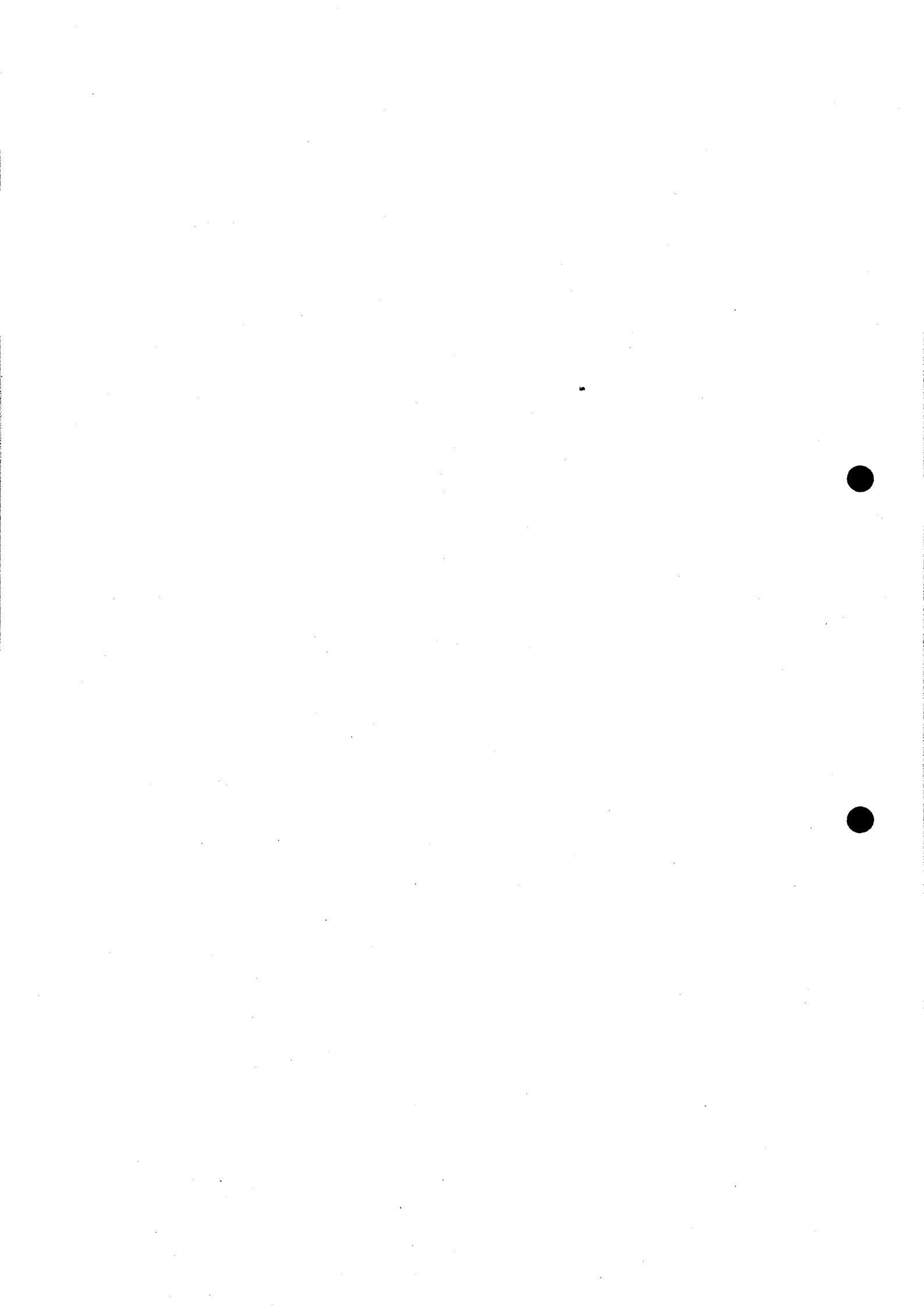
**LOUDSPEAKER-AMPLIFIER ASSEMBLY
(LSAU)**

Z1/5820-99-652-7026

(G.A. Drawing No. SDO/265301)

(Circuit Diagram No. SD2/265372)







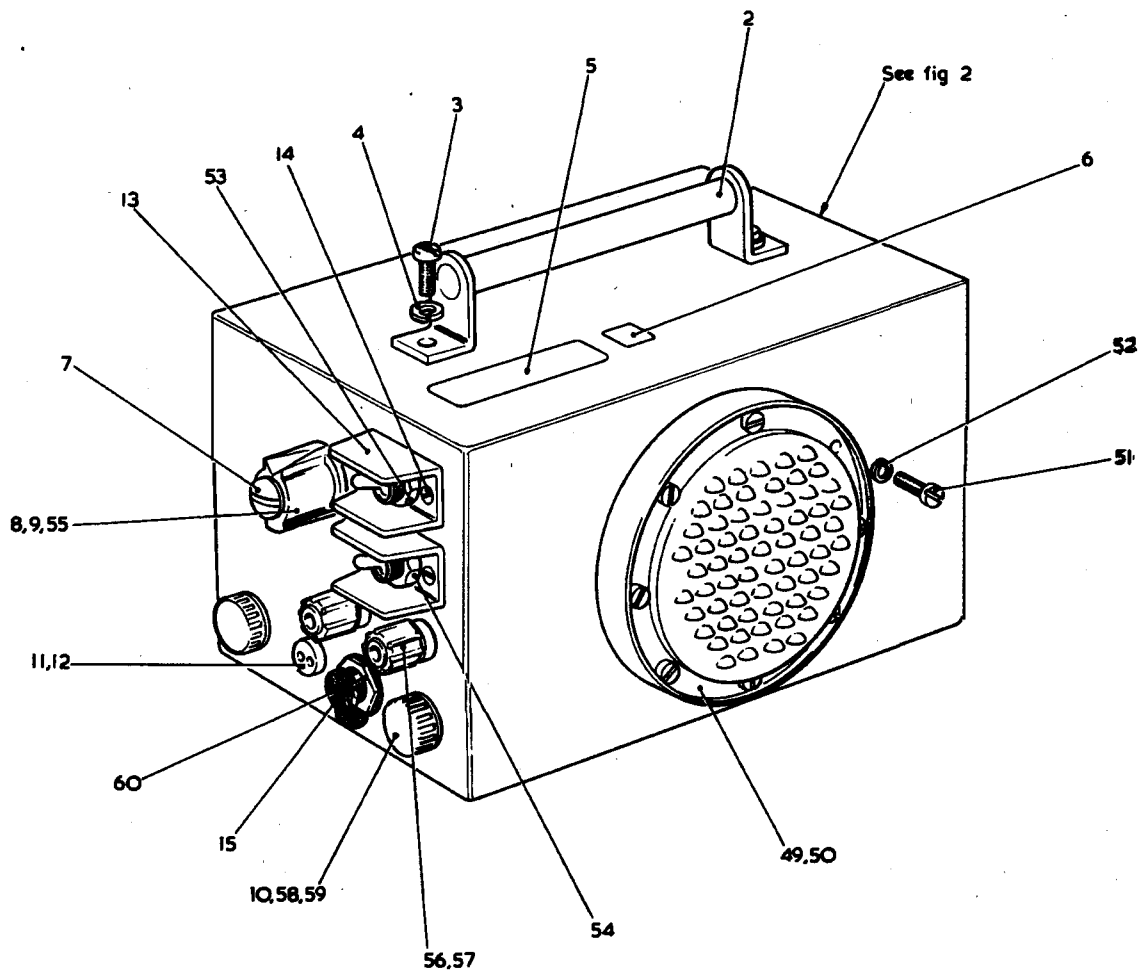


FIG.1 LOUD SPEAKER-AMPLIFIER ASSEMBLY (LSAU)



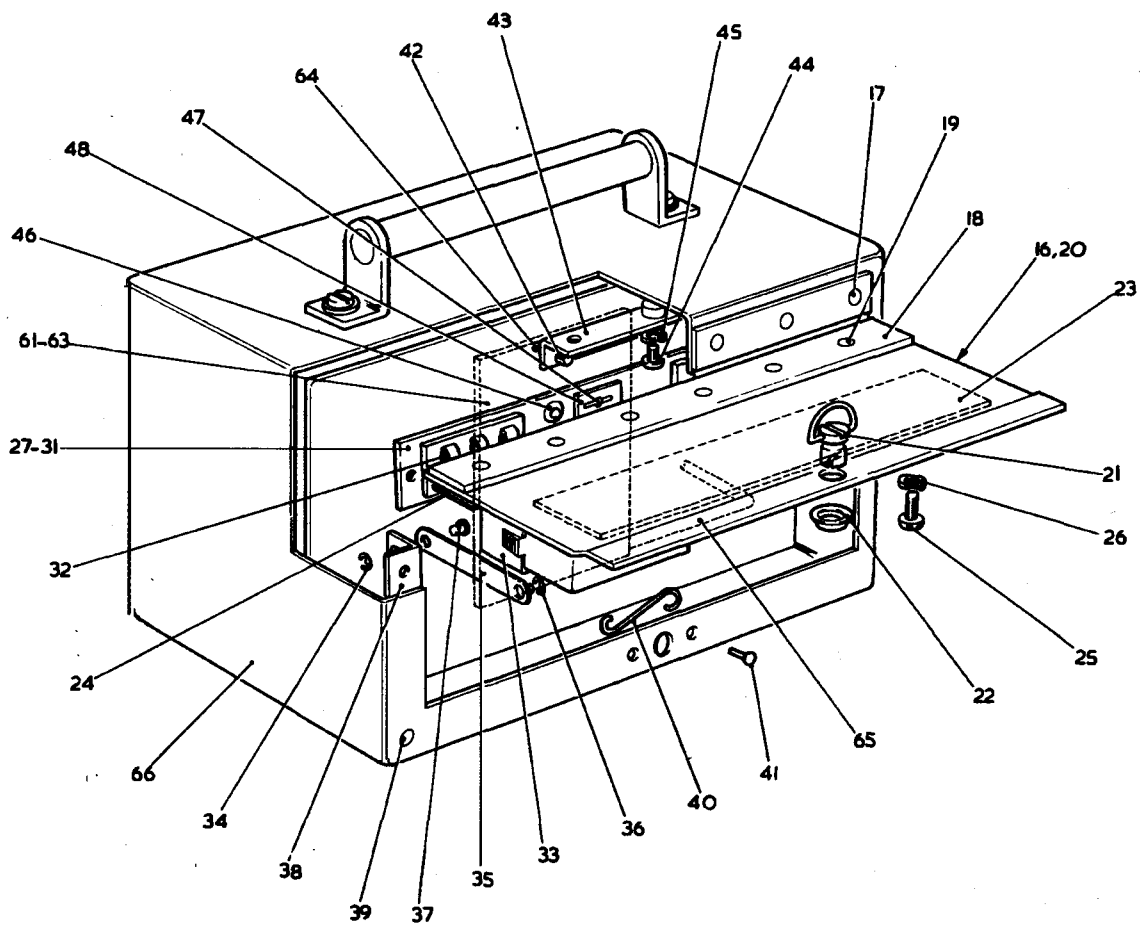


FIG. 2

Chapter 2-2-3

PARTS LIST

LOUDSPEAKER-AMPLIFIER ASSEMBLY (LSAU) Z1/5820-99-652-7026

Fig Item	Man Code		NATO Stock No	Indent	Item Name and Description	Part No/ Drawing No	No Off	Annotations	
	Navy - N	Army - A						RAF - R	Class of Store and Serv Line
1	A	Z1	5820-99-652-7026	A	LOUDSPEAKER-AMPLIFIER ASSEMBLY (LSAU)	SDO/ 265301	Ref		
1-2	A	Z1	5340-99-658-4587	B	HANDLE, BOW aluminium alloy; alocrom finish and painted olive drab; 2 holes 4.20mm dia, 130 mm c to c; 30.25mm h of clearance	SD3/ 246473	1		
3	A	G1	5305-99-135-0422	Z	SCREW, MACHINE ISO metric; steel; pan hd, slot drive; zinc plated; 4mm by 0.70mm pitch by 10mm lg class 6g thf	BS4183	2		
4	A	G1	5310-99-138-9225	Z	WASHER, LOCK steel; split helical ring; zinc plated; 4mm nom size; 6.95mm od, 1.2mm thk	BS 4464 Type A	2		
5	A	Z1	9905-99-658-3173	B	LABEL aluminium foil; self adhesive; 75mm lg by 30mm w by 0.13mm thk; printed	SD3/ 246476	1		
6	A	Z2	9905-99-649-2246	B	PLATE, MODIFICATION RECORD	R.A.E. WTB111527 /14	1		
7	A	Z42	5999-99-097-0184	B	CAP, ELECTRICAL plastics; thd mtg; 43/ 64 in. dia; 13/32 in lg	DEF 5221 Fig 1	1		
8	A	Z1	5355-99-097-0186	B	KNOB plastics-finger type; adjustable; rd; 1/4 in. bore; 1-1/8 in. od; w/skirt	DEF 5221 Fig 12	1		

RESTRICTED

ARMY EQUIPMENT
SUPPORT PUBLICATIONS

Chapter 2-2-3

5820-F-300-/11

LOUDSPEAKER-AMPLIFIER ASSEMBLY
(LSAU) Z1/5820-99-652-7026

PARTS LIST

Fig Item	Man Code		NATO Stock No	Indent	Item Name and Description	Part No/ Drawing No	No Off	Annotations	
	Navy - N	Army - A						RAF - R	Class of Store and Serv Line
9	A	Z2	5355-99-097-0183	B	INSERT, CONTROL, DIAL-KNOB, collet type; adjustable; 1/4 in. dia bore	DEF 5221 Fig 2	1		
1-10	A	Z32	5920-99-059-0137	B	FUSE LINK, CARTRIDGE ceramic; 500mA, 250V ac, 230V dc; 0.633 in. lg. 0.187 in. dia	DEF Stan 59-14 (Pt.2) Belling & Lee	2		
11	A	Z99	5365-99-626-4284	B	PLUG, SCREWED aluminium alloy; rd hd; 6mm ISO metric, class 6g thd; blue-black anodised finish	SD3/ 201070/1	1		
12	A	6MT1	5330-99-642-1866	B	RING, SEALING TOROIDAL rubber; 8.10mm id, 1.6mm h; 51-60 deg BS hardness	BS 4518- 0081-16 Dowty Seals 202-510- 4450	1		
13	A	Z32	5930-99-652-5890	B	GUARD, SWITCH aluminium alloy; 48mm 28mm w, 23mm h	SD3/ 265306	2		
14	A	G1	5305-99-122-5271	Z	SCREW, MACHINE ISO metric; steel; flat csk hd; zinc plated; slot drive; 3mm by 0.50mm pitch; 8mm lg; class 6g thd	BS 4183	4		
15	A	Z99	5935-99-631-0681	B	COVER, ELECTRICAL PLUG-SOCKET non-metallic; 2.173 in lg, 0.724m w, 0.145 in h; friction mtg. Note: Used with PL1	SD3/ 235130 Thorn 05-1625- 8	1		
2-16	A	Z1	5820-99-663-0701	B	BATTERY COVER ASSEMBLY 192mm lg; 150mm w, 40 mm h.	SD2/ 265316	1		
17	A	G1	5320-99-105-0874	Z	RIVET, BLIND aluminium alloy; flush csk hd; mechanically expanded type; 1/8 in dia. 11/32 in. lg.	Tucker AK44	7		
18	A	Z1	5340-99-663-0716	C	HINGE, MACHINING, Plastics, 192mm lg 38mm w 13 mtg holes 3.30mm dia	SD3/ 265318	1		

RESTRICTED

LOUDSPEAKER-AMPLIFIER ASSEMBLY (LSAU) Z1/5820-99-652-7026

Fig-Item	Man Code Navy -N Army -A RAF -R		NATO Stock No.	Indent	Item Name and Description	Part No/ Drawing No.	No. off	Annotations	
								Class of Store and Serv. Line	CCT Ref.
2-19	A	G1	5320-99-105-0874	Z	RIVET, BLIND aluminium alloy; flush csk hd; mechanically expanded type; 1/8in. dia, 11/32in. lg	Tucker AK44	7		
20	A	Z1	5820-99-658-0248	C	COVER, ACCESS, ELECTRICAL CHASSIS aluminium alloy lid, painted flush; black nylon hinge; 193mm by 150mm by 4mm o/a dim.	SD2/ 265312	1		
21	A	G1	5325-99-195-0381	C	STUD, TURNLOCK FASTENER steel; cadmium plated; ring hd; 1/4in. max dia; 23/64in. lg engaging surface	SD4/ 246477 Dzus BJR4-35	1		
22	A	G1	5325-99-956-8658	C	EYELET, TURNLOCK FASTENER plastics; 0.210in. id, 0.437in. od, 0.025in. thk	SD4/ 265411 Dzus GP4	1		
23	A	H4	9320-99-225-0091	Z	RUBBER SHEET, SOLID chloroprene; polymer; smooth finish; colour A/A; 914mm w, 3.2mm thk Note:- Bulk supply item cut to required size i.e. 160mm by 65mm prior to assembly	BS 2752- C40	AR		
24	A	Z1	6140-99-658-1375	C	BATTERY BRACKET ASSEMBLY corrosion resistant steel; 7-3/8in. lg 1-5/16in w, 1-5/16in. h approx o/a dims.	SD3/ 265549 Storno 7462-2-9 10.1350C- 00	1		
25	A	G1	5305-99-135-0421	Z	SCREW, MACHINE ISO metric; steel; pan hd; slot drive; zinc plated; 4mm by 8mm lg; class 6g thd	BS 4183	5		

RESTRICTED

5820-F-300-711

ARMY EQUIPMENT
SUPPORT PUBLICATIONS

Fig-Item	Man Code Navy -N Army -A RAF -R		NATO Stock No.	Indent	Item Name and Description	Part No/ Drawing No.	No. off	Annotations	
								Class of Store and Serv. Line	CCT Ref.
2-26	A	G1	5310-99-135-2546	Z	WASHER, SPRING TENSION beryllium copper; tin plated; 4mm nom bolt size, 8.10mm od, 0.84mm o/a h	BS 4463	5		
27	A	Z1	5820-99-653-0178	D	PANEL, ELECTRONIC CIRCUIT (Battery PCB Assembly)	SD2/ 265555 Storno 7462-6-2 10.1349C- 00	1		
28	A	G1	5305-99-136-5335	Z	SCREW, MACHINE ISO metric; corrosion resistant steel; pan hd; slot drive; 3mm by 8mm lg; class 6g thd	BS 4183 Storno 28.0202C- 00	4		
29	A	G1	5310-99-136-2749	Z	WASHER, FLAT corrosion resistant steel; 3mm nom bolt size; 7mm od, 0.5mm thk	BS 4320 Form A	4		
30		Z1	5310-99-631-6269	Z	WASHER, SPRING TENSION corrosion resistant steel; 3mm nom bolt size; 6mm od, 1.3mm o/a h	Storno 2450- 060032	4		
31	A	G1	5310-99-136-4875	Z	NUT, PLAIN, HEXAGON ISO metric; corrosion resistant steel; chamfered bearing surface; 3mm by 5.5mm w A/F; 2.4mm h o/a	BS 3692	4		
32	A	Z1	5360-99-652-7303	E	SPRING, HELICAL COMPRESSION corrosion resistant steel; 7 turns total; 6.4mm od, 11mm free lg	Storno 36.0116- 00 K13148	6		
33	A	Z1	6140-99-653-0177	D	RETAINER, BATTERY stainless steel; 190 mm by 30mm by 35mm; retains two batteries	SD3/ 265521 Storno 33.0287C- 00 7462-8-5	1		

LOUDSPEAKER-AMPLIFIER ASSEMBLY (LSAU) Z1/5820-99-652-7026

Fig-Item	Man Code Navy -N Army -A RAF -R		NATO Stock No.	Indent	Item Name and Description	Part No/ Drawing No.	No. off	Annotations	
								Class of Store and Serv. Line	CCT Ref.
2-34	A	Y1	5365-99-114-5294	Z	RING, RETAINING steel; circlip; ext; 0.125in. id	Salterfix 5133-12 Storno 24.0138C- 00	1		
35	A	Z1	5820-99-653-5239	Z	HINGE LOCKING ARM, RIVETTED corrosion resistant steel; 63mm lg, 8.50mm w, 8mm h	SD4/ 265523 Storno 7462-8-7 11.2395C- 00	1		
36	A	6MT1	5340-99-658-4588	Z	RING, RETAINING steel; circlip; ext; 0.125in. id	Salterfix 5133X-18 Storno 24.0139C- 00	1		
37	A	Z1	5315-99-658-3742	C	PIN, GROOVED, HEADED stainless steel, flat hd, 8mm dia, 5.5mm lg	SD4/ 265526 Storno 7462-8-10 29.0224C- 00	1		
38	A	Z1	5340-99-656-2701	C	PLATE, HINGE LOCKING steel; zinc sprayed and painted; 80mm lg; 23mm w, 14mm h	SD3/ 265385	1		
39	A	G1	5320-99-105-0874	Z	RIVET, BLIND aluminium alloy; flush csk hd; mechanically expanded type; 1/8in. dia, 11/32in. lg	Tucker AK44	2		
40	A	G1	5325-99-943-0916	B	LOCKSPRING, TURNLOCK FASTENER steel; cadmium plated; 3/4in. c to c eyes; 13/64in. h	SD4/ 265406 Dzus S4-200	1		
41			NP	Z	rivet 3/32in. dia by 1/4in. lg; aluminium alloy, solid; csk hd	BS 4620	2		

RESTRICTED

5820-F-300-711

ARMY EQUIPMENT
SUPPORT PUBLICATIONS

Fig-Item	Man Code Navy - N Army - A RAF - R		NATO Stock No.	Incident	Item Name and Description	Part No/ Drawing No.	No. off	Annotations	
								Class of Store and Serv. Line	CCT Ref.
2-42	A	Z31	5910-99-017-4540	B	CAPACITOR, FIXED, CERAMIC DIELECTRIC 1 section; metal case; 1000pF + 80% - 20%; 50V dc wkg	BS 9075- FO06 Style C3DAY Oxley Dev DLT1000	3		
43	A	Z1	5340-99-658-3174	B	BRACKET, ANGLE	SD3/ 246469	1		
44	A	G1	5305-99-135-0422	Z	SCREW, MACHINE ISO metric; steel; pan hd; slot drive; zinc plated; 4mm by 10mm lg; class 6g thd	BS 4183	2		
45	A	G1	5310-99-138-9225	Z	WASHER, LOCK steel; split helical ring; zinc plated; 4mm nom size; 6.95mm od, 1.2mm thk	BS 4464 Type A	2		
46	A	H9	5325-99-942-3406	B	GROMMET, RUBBER sybthetic; 1/8in. dia hole; 1/4in. od groove; 1/16in w groove; 3/8in. o/a dia, 3/32in. thk flange	DEF Stan 53-13 Table 1A	1		
47	A	Z4	5340-99-119-6084	B	STRAP, LINE SUPPORTING plastic strap and buckle; 3-5/8in. lg, 3/32in. w, 3/64in. thk	Insuloid T18R	1		
48	A	Z42	5340-99-643-1802	B	CRADLE, ELECTRICAL nylon; for 4mm w strapping; self adhesive mtg; 20mm lg, 14mm w, 4.6mm h	Insuloid LKCT/SA	1		
1-49	A	Z42	5965-99-901-4229	B	LOUDSPEAKER, PERMANENT MAGNET 3 ohm impedance; 5in. dia	SDB/ 167440	1		
50	A	Z42	5965-99-446-5686	C	GASKET rubber; rd; 4-21/32in. id, 5-1/32in. od, 9/32in. thk	SDA/ 167441	1		

ARMY EQUIPMENT
SUPPORT PUBLICATIONS

LOUDSPEAKER-AMPLIFIER ASSEMBLY (LSAU) Z1/5820-99-652-7026

Fig Item	Man Code		NATO Stock No	Indent	Item Name and Description	Part No/ Drawing No	No Off	Annotations	
	Navy - N	Army - A						RAF - R	Class of Store and Serv Line
1-51	A	G1	5305-99-135-0423	Z	SCREW, MACHINE ISO metric; steel; pan hd; slot drive; zinc plated; 4mm by 12mm lg class 6g thd	BS 4183	8		
52	A	G1	5310-99-138-9225	Z	WASHER, LOCK steel; split helical ring; zinc plated; 4mm nom size; 6.95mm od, 1.2mm thk	BS 4464 Type A	8		
53	A	Z32	5930-99-051-0551	B	SWITCH, TOGGLE single pole; on/off 3A max, 250V ac/dc	BS 9572- F002 Style 551	1		
54	A	Z32	5930-99-653-8435	B	SWITCH, TOGGLE dpdt; 250V ac, 1.5A; 125V dc 3A; bushing mtd; 29.40 mm lg, 25.80mm h, 22.60 mm w; rd; fully enclosed; 6 solder lugs.	BS9572- F0004 Style 554A	1		
55	A	Z30	5905-99-658-3182	B	RESISTOR, VARIABLE 100k ohms, + 20% 1/8W, 1/4W; 250V dc; lin. lg spindle w/transverse hole	BS9133- N001 Plessey MH1	1		
56	A	Z37	5940-99-012-0234	B	POST, BINDING ELECTRICAL single post; rd; 11/16 in. dia, 2-7/64 in. h; screw cap; 2BA; insulated	DEF Stan 59-3 Pt. 2 Belling & Lee L1361	2		
57	A	Z37	5940-99-652-8396	B	INSTALLATION KIT, ELECTRICAL EQUIPMENT consists of 2 mouldings, 2 sealing rings, 1 washer; 1 solder tag, 2 locknuts	BELLING & Lee	2		
58	A	Z32	5920-99-059-1061	B	FUSEHOLDER sealed, single way; 250V ac, 2.5A	DEF 64 Fig 3 Belling & LEE L675	2		
59	A	Z32	5920-99-059-0009	B	CARRIER FUSE LINK single way; 250V ac; 2.5A	DEF 64 Fig 3	2		

RESTRICTED

5820-F-300-711

ARMY EQUIPMENT
SUPPORT PUBLICATIONS

Fig-Item	Man Code		NATO Stock No.	Indent	Item Name and Description	Part No/ Drawing No.	No. off	Annotations	
	Navy -N	Army -A						RAF -R	Class of Store and Serv. Line
1-60	A	Z32	5935-99-658-5169	B	CONNECTOR, FIXED, ELECTRICAL straight shape; quick connect; 63/64in. lg, 1-5/16in. dia; cadmium plated and olive drab chromated finish; 1 mating end; 4 contacts insert; 700V dc; aluminium; quick release bayonet pin.	Amphenol 62GB-57A- 8-4PW	1		
61	A	Z1	5820-99-652-9909	B	PANEL, ELECTRONIC CIRCUIT (LSAU Board)	SD1/ 265308	1		
2-62	A	G1	5305-99-135-0416	Z	SCREW, MACHINE ISO metric; steel; pan hd; slot drive; zinc plated finish; 3mm by 10mm lg; class 6g thd	BS 4183	4		
63	A	G1	5310-99-135-2545	Z	WASHER, SPRING TENSION beryllium copper; tin plated; 3mm nom bolt size; 6.40mm od, 0.61 mm o/a h	BS 4463	4		
64	A	Z37	5940-99-658-4592	B	TERMINAL LEADTHROUGH non tubular; solid conductor; 14.20mm lg; 4.70mm dia; press fit; brass with PTFE insulation; silver plated.	Oxley 136/LP/ White	3		
65	A	Z42	5995-99-663-0702	B	WIRING HARNESS, BRANCHED 10 branches	SD1/ 265497	1		
66	A	Z1	5820-99-656-3205	B	CASE, LOUDSPEAKER aluminium alloy; anodised and painted olive drab; 220mm by 160mm by 170mm	SD2/ 246472	1		

Chapter 2-2-4

PARTS LIST

**FRAME, ELECTRICAL EQUIPMENT
(LSAU Mounting Frame)**

Z1/5820-99-652-7731

(G.A. Drawing No. SDO/265321)

(Circuit Diagram No. N/A)



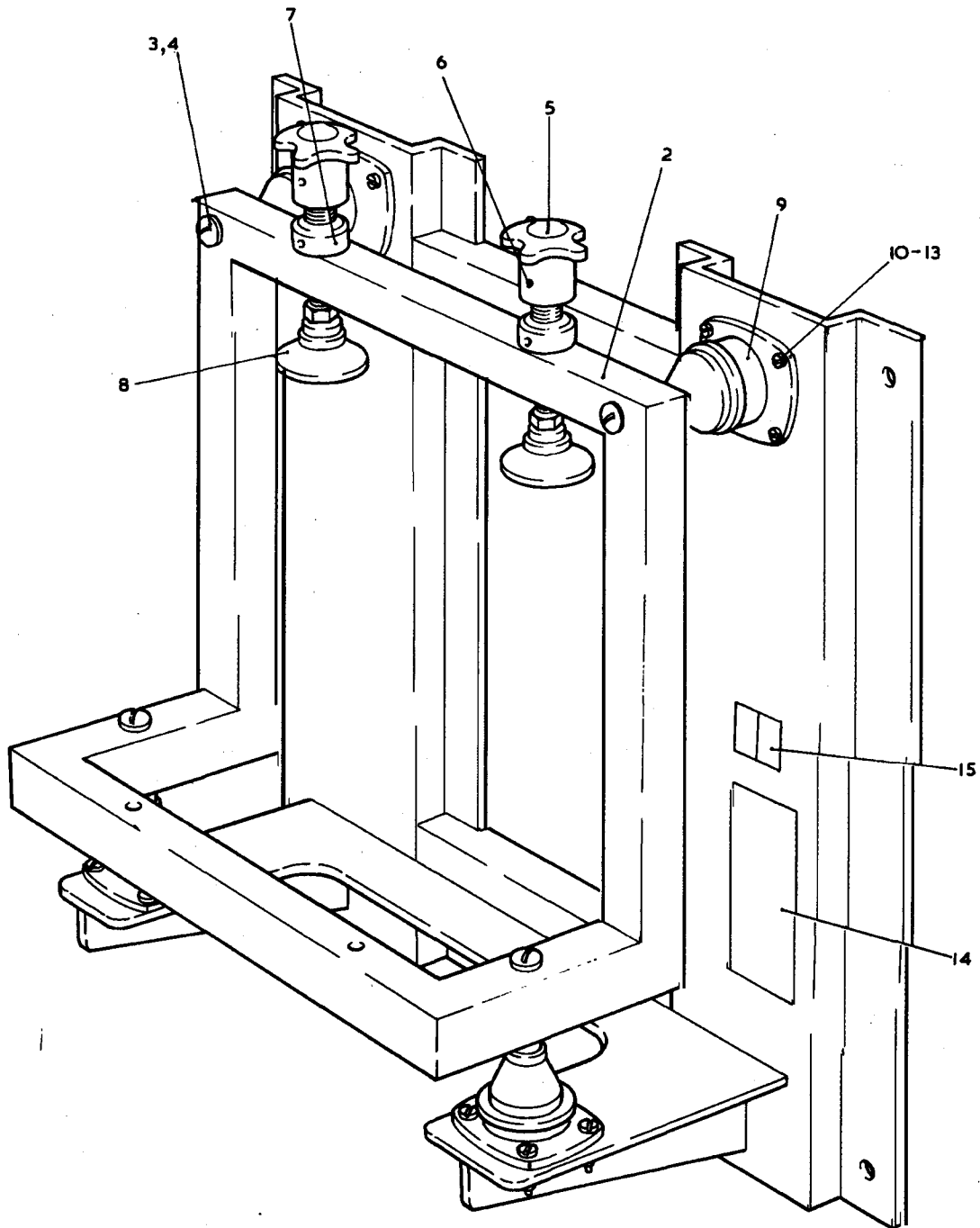


FIG.1 FRAME ELECTRICAL EQUIPMENT
(LSAU Mounting Frame)

PARTS LIST

FRAME, ELECTRICAL EQUIPMENT (LSAU Mounting Frame) Z1/5820-99-652-7731

Fig-Item	Man Code		NATO Stock No.	Ident	Item Name and Description	Part No/ Drawing No.	No. off	Annotations	
	Navy - N	Army - A						RAF - R	Class of Store and Serv. Line
1	A	Z1	5820-99-652-7731	A	FRAME, ELECTRICAL EQUIPMENT (LSAU Mounting Frame)	SD1/ 265321	Ref		
1-2			NP	B	MOUNTING FRAME ASSEMBLY	SD0/ 246495	Ref		
3	A	G1	5305-99-135-0434	Z	SCREW, MACHINE ISO metric; steel; pan hd; slot drive; zinc plated; 5mm by 35mm lg; scr 25mm lg; class 6g thd	BS 4183	4		
4	A	G1	5310-99-138-9226	Z	WASHER, LOCK steel; split helical ring; zinc plated; 5mm nom bolt size; 8.55mm od, 1.40mm thk	BS 4464	4		
5	A	Z1	5355-99-658-4590	C	KNOB cast iron; screw on and pin mtg; fluted foils; w/o skirt; 40mm dia, 25mm thk	SD4/ 246497	2		
6	A	G1	5315-99-137-3472	Z	PIN, SPRING corrosion resitant steel; 3/16in. dia by 7/8in. lg	Unbrako SEL-LOK	2		
7			NP	C	tommy nut	WDS Tooling 613-2008	2		
8			NP	C	swivel pad	WDS Tooling 673-201 x 75mm	2		
9	A		5340-14-362-2945	B	MOUNT, RESILIENT steel/rubber; 54mm lg 54mm w, 44mm h; four 4mm dia mtg holes on 35mm mtg centres	SD4/ 265303 Stop-Choc EIFH781CO 1	4		

RESTRICTED

5820-F-300-711

ARMY EQUIPMENT
SUPPORT PUBLICATIONS

Fig-Item	Man Code		NATO Stock No.	Indent	Item Name and Description	Part No/ Drawing No.	No. off	Annotations	
	Navy -N	Army -A						RAF -R	Class of Store and Serv. Line
1-10	A	G1	5305-99-135-0424	Z	SCREW, MACHINE ISO metric; steel; pan hd; slot drive; zinc plated; 4mm by 16mm lg; class 6g thd	BS 4183	16		
11	A	G1	5310-99-138-9225	Z	WASHER, LOCK steel; split helical ring; zinc plated; 4mm nom bolt size; 6.95mm od, 1.2mm thk	BS 4464 Type A	16		
12	A	G1	5310-99-122-3031	Z	WASHER, FLAT steel; rd; zinc plated; 4mm bolt size; 9mm od, 0.80mm thk	BS 4320	16		
13	A	G1	5310-99-135-0755	Z	NUT, PLAIN, HEXAGON ISO metric; steel; chamfered bearing surface; zinc plated; 4mm, 3.05mm h o/a; grade 4 nut	BS 3692	16		
14	A	Z1	9905-99-658-4757	B	PLATE, IDENTIFICATION plastic coated aluminium; rect; black background; natural inscription; inscribed FRAME, ELECTRICAL EQUIPMENT 5820-99-652- 7731, SN AAT and pheon; 75mm lg 30mm w, 0.13mm thk	SD3/	1		
15	A	Z2	9905-99-649-2246	B	PLATE, MODIFICATION RECORD	RAE WTB111527 /14	1		

Chapter 2-2-5

PARTS LIST

CHASSIS, ELECTRICAL EQUIPMENT
(Tape Recorder Mounting Assy)

Z1/5820-99-653-0944

(G.A. Drawing No. SDO/265302)

(Circuit Diagram No. N/A)







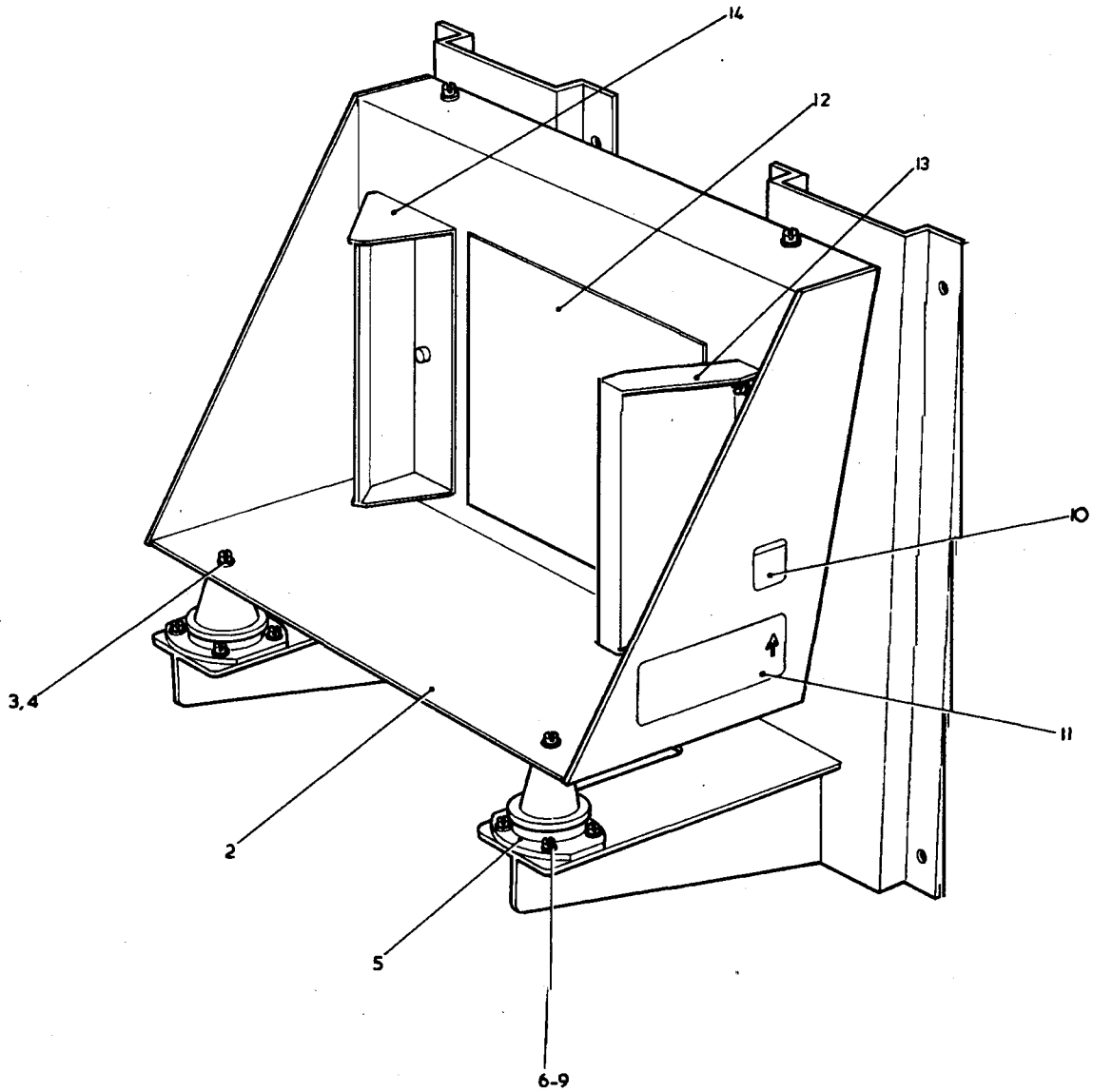


FIG. 1 CHASSIS, ELECTRICAL EQUIPMENT
(Tape Recorder Mounting Assy)

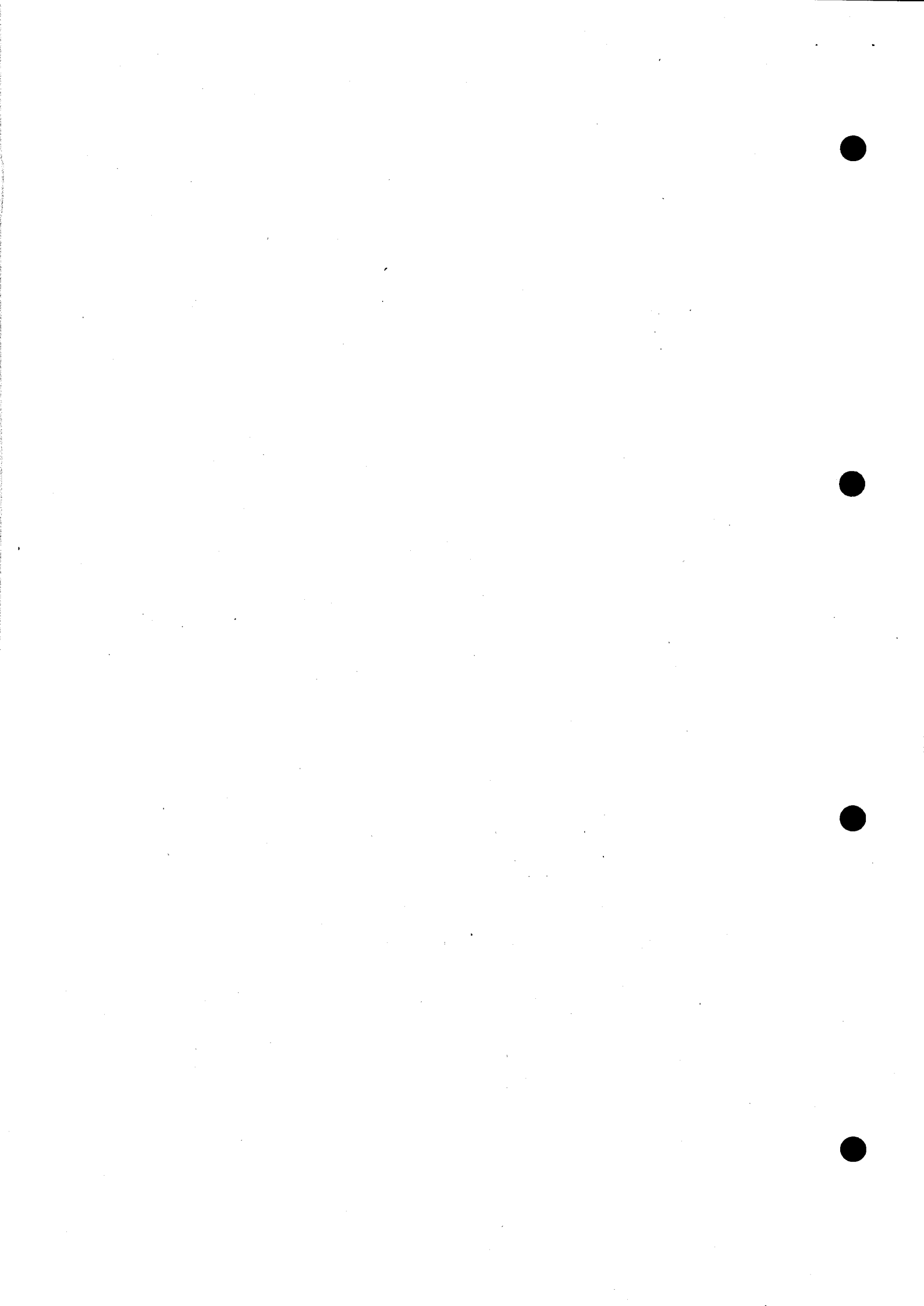
PARTS LIST

CHASSIS, ELECTRICAL EQUIPMENT
(Tape Recorder Mounting Assy) Z1/5820-99-653-0944

Fig-Item	Man Code		NATO Stock No.	Indent	Item Name and Description	Part No/ Drawing No.	No. off	Annotations	
	Navy - N	Army - A						RAF - R	Class of Store and Serv. Line
1	A	Z1	5820-99-653-0944	A	CHASSIS, ELECTRICAL EQUIPMENT (Tape Recorder Mounting Assy)	SDO/ 265302	Ref		
1-2			NP	B	backplate assembly	SD1/ 265389	Ref		
3	A	G1	5305-99-135-0429	Z	SCREW, MACHINE ISO metric; steel; pan hd; slot drive; zinc plated; 5mm by 12mm lg; class 6g thd	BS 4183	4		
4	A	G1	5310-99-138-9226	Z	WASHER, LOCK steel; split helical ring; zinc plated; 5mm nom bolt size; 8.55mm od, 1.40mm thk	BS 4464 Type A	4		
5	A	Z1	5340-14-354-6866	B	MOUNT, RESILIENT steel/rubber; 54mm lg, 54mm w, 44mm h; four 4mm dia mtg holes on 35mm centres	SD4/ 246470 Stop-Choc ELFH781SO 1	4		
6	A	G1	5305-99-135-0424	Z	SCREW, MACHINE ISO metric; steel; pan hd; slot drive; zinc plated; 4mm by 16mm lg; class 6g thd	BS 4183	16		
7	A	G1	5310-99-138-9225	Z	WASHER, LOCK steel; split helical ring; zinc plated; 4mm nom bolt size; 6.95mm od, 1.2mm thk	BS 4464 Type A	16		
8	A	G1	5310-99-122-3031	Z	WASHER, FLAT steel; rd; zinc plated; 4mm bolt size; 9mm od, 0.80mm thk	BS 4320	16		

Fig-Item	Man Code Navy - N Army - A RAF - R		NATO Stock No.	Indent	Item Name and Description	Part No/ Drawing No.	No. off	Annotations	
								Class of Store and Surv. Line	CCT Ref.
1-9	A	G1	5310-99-135-0755	Z	NUT, PLAIN, HEXAGON ISO metric; steel; chamfered bearing surface; zinc plated; 4mm; 3.05mm h o/a; grade 4 nut	BS 3692	16		
10	A	Z2	9905-99-649-2246	B	PLATE, MODIFICATION RECORD aluminium foil .875 in by .625 in self adhesive	R.A.E. WTB111527 /14	1		
11	A	Z2	9905-99-658-4591	B	PLATE, IDENTIFICATION plastic coated metal;- rect; back background; natural inscription; inscribed CHASSIS, ELECTRICAL EQUIPMENT 5820-99-653-0944, SN, AAT & pheon; 75mm lg, 30mm w, 0.13mm thk	SD3/ 246505	1		
12			9320-99-764-2231		RUBBER SHEET, CELLULAR Synthetic; 65 shore hardness any cell structure; black, 210mm lg, 190mm W, 2.0mm thk	SD/A2/ 268345PD	1		
13		Z1	5820-99-764-2233		BRACKET ASSEMBLY, FIXED comprising; aluminium alloy bracket; 2 tommy bar screws & 1 pad. (used for items 17 or 18 Chap 2-1)	SD/A3/ 268405PD	1		
14		Z1	5820-99-764-2234		BRACKET ASSEMBLY, ADJUSTABLE Comprising; bracket adjusting, 2 tommy bar screws & 1 pad (used for items 17 or 18 Chap 2-1)	SD/A3/ 268406PD	1		
15		Z1	5820-99-764-2232		STRAP RETAINING Aluminium alloy, 166 mm lg, 12 mm W, 12 mm deep w/2 holes	SD/A3/ 267348PD	1		

Fig Item	Man Code Navy --N Army --A RAF --R	NATO Stock No.	Indent	Item Name and Description	Part No/ Drawing No.	No. off	Annotations	
							Class of Store and Serv. Line	CCT Ref.
16	G1	5310-99-122-5294	Z	NUT, PLAIN, HEXAGON ISO metric, steel; chamfered bearing surface, zinc plated, 5.00mm by 0.80mm pitch, 8.00mm W A/F; 4.00mm hole, grade 8 nut	BS 3692	3		



Chapter 2-2-6

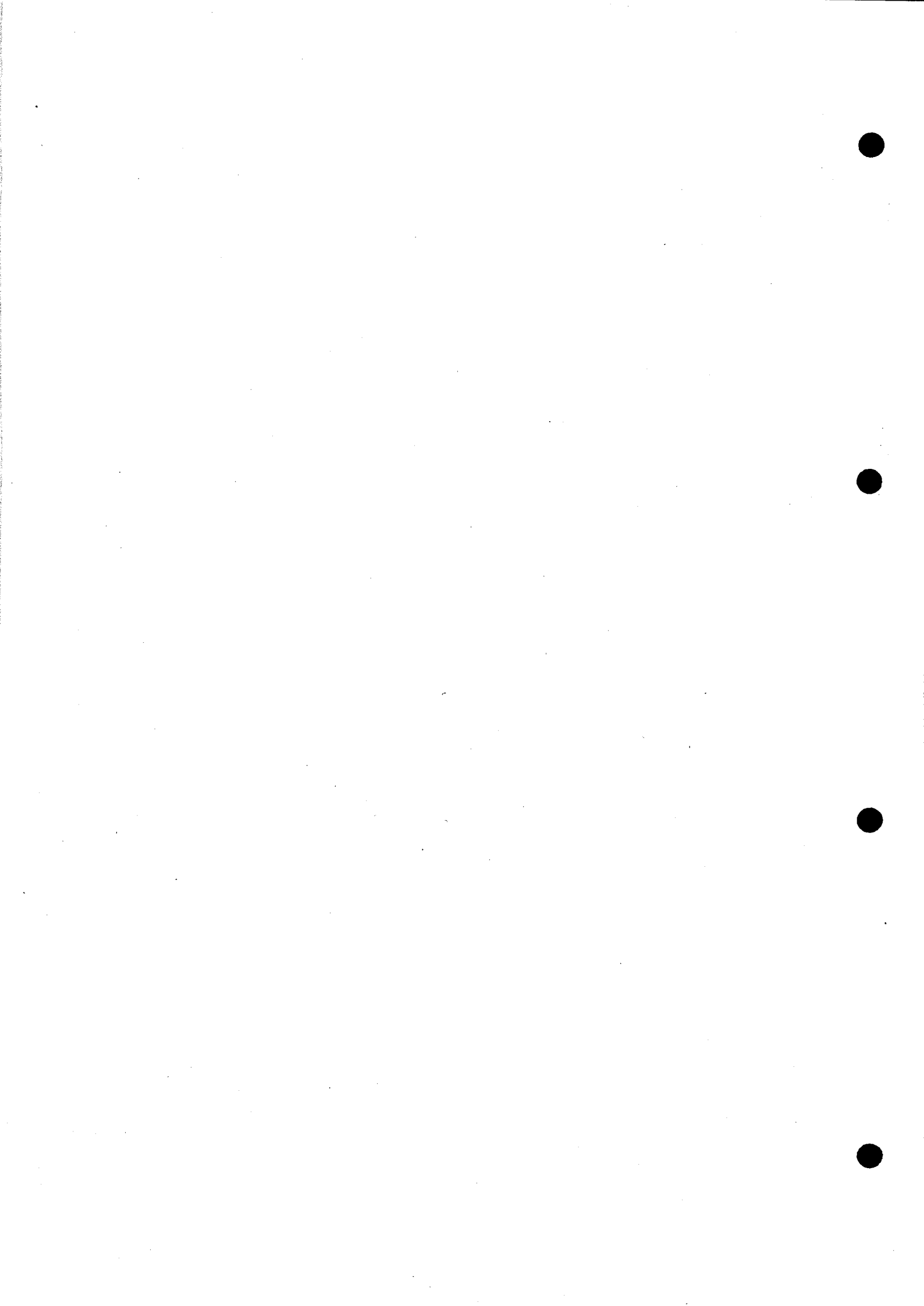
PARTS LIST

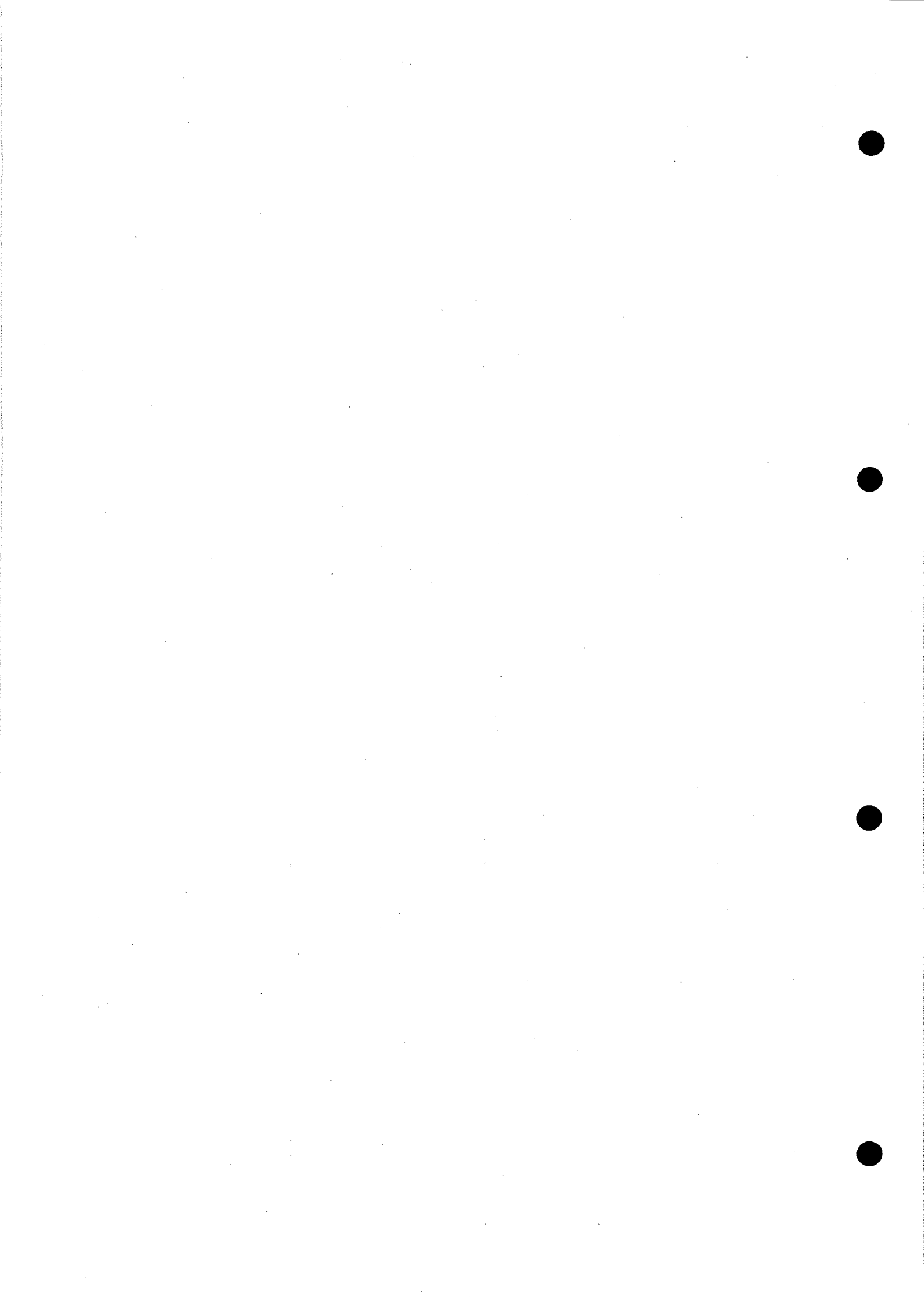
CABLE ASSEMBLY, RADIO FREQUENCY
(Cable Feeder-Vehicle Antenna)

(G.A Drawing No. SD/AZ/268414PD)

(Circuit Diagram No. N/A)

Nov 83 (Amdt 3)







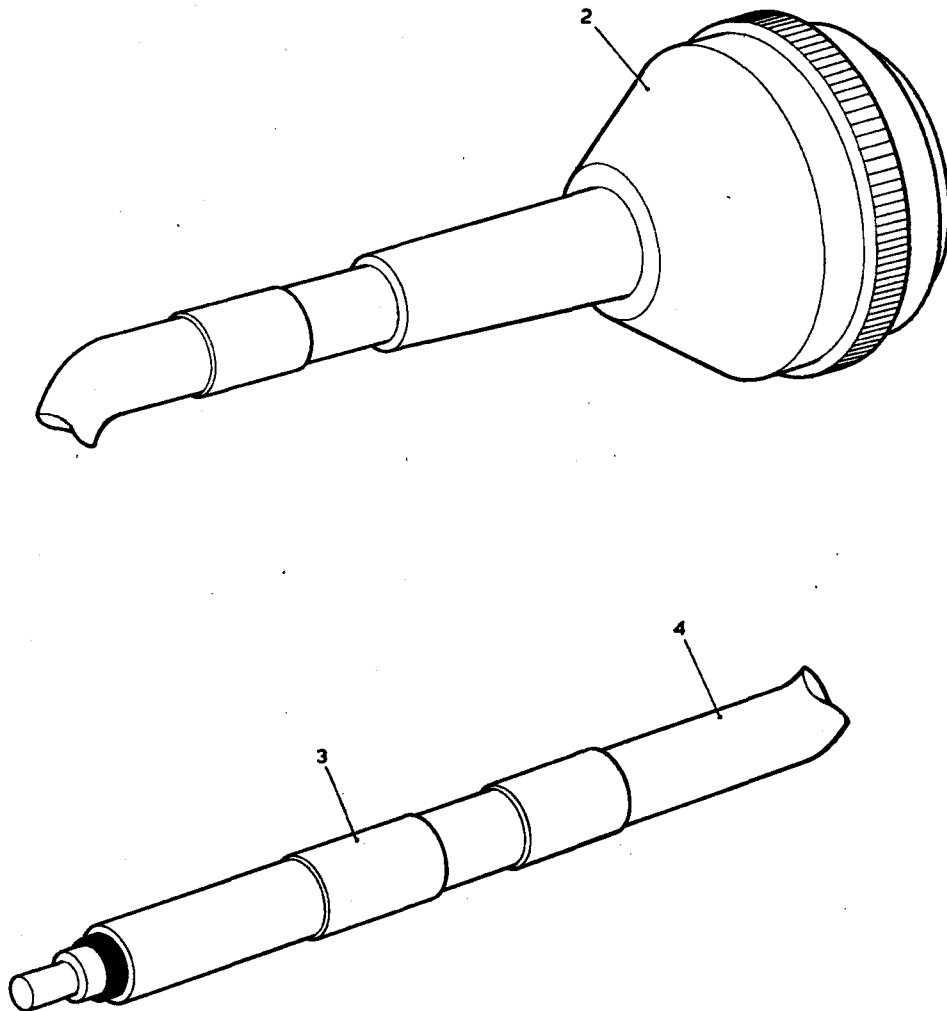
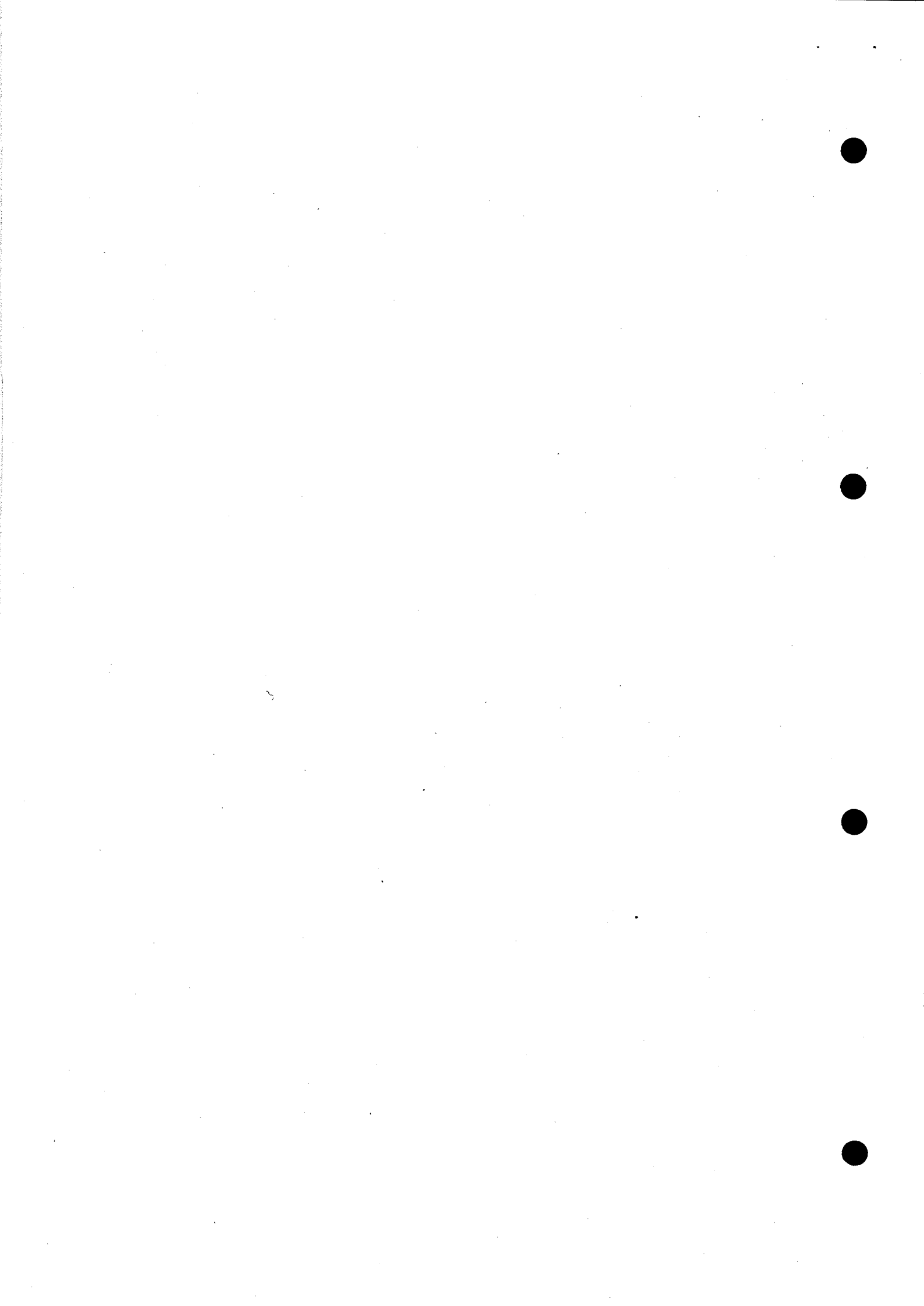


FIG.1 CABLE ASSEMBLY, RADIO FREQUENCY
(CRU-Vehicle Antenna)

PARTS LIST

CABLE ASSEMBLY, RADIO FREQUENCY
(Cable Feeder-Vehicle Antenna)

Fig-Item	Man Code Navy - N Army - A RAF - R		NATO Stock No.	Incident	Item Name and Description	Part No/ Drawing No.	No. off	Annotations	
								Class of Store and Serv. Line	CCT Ref.
1	A	Z42	5995-99-773-7492	A	CABLE ASSEMBLY, RADIO FREQUENCY coaxial; free electrical connector both ends; 4.6 metres o/a lg	SD/A2/ 268414PD	Ref		
2	A	Z1	5820-99-649-0621	B	CONNECTOR, RADIO FREQUENCY	Storno A/S 41.0215-00	1		
3			NP	B	sleeving 3mm id, pink	BS 3858 Type 3	AR		



Chapter 2-2-7

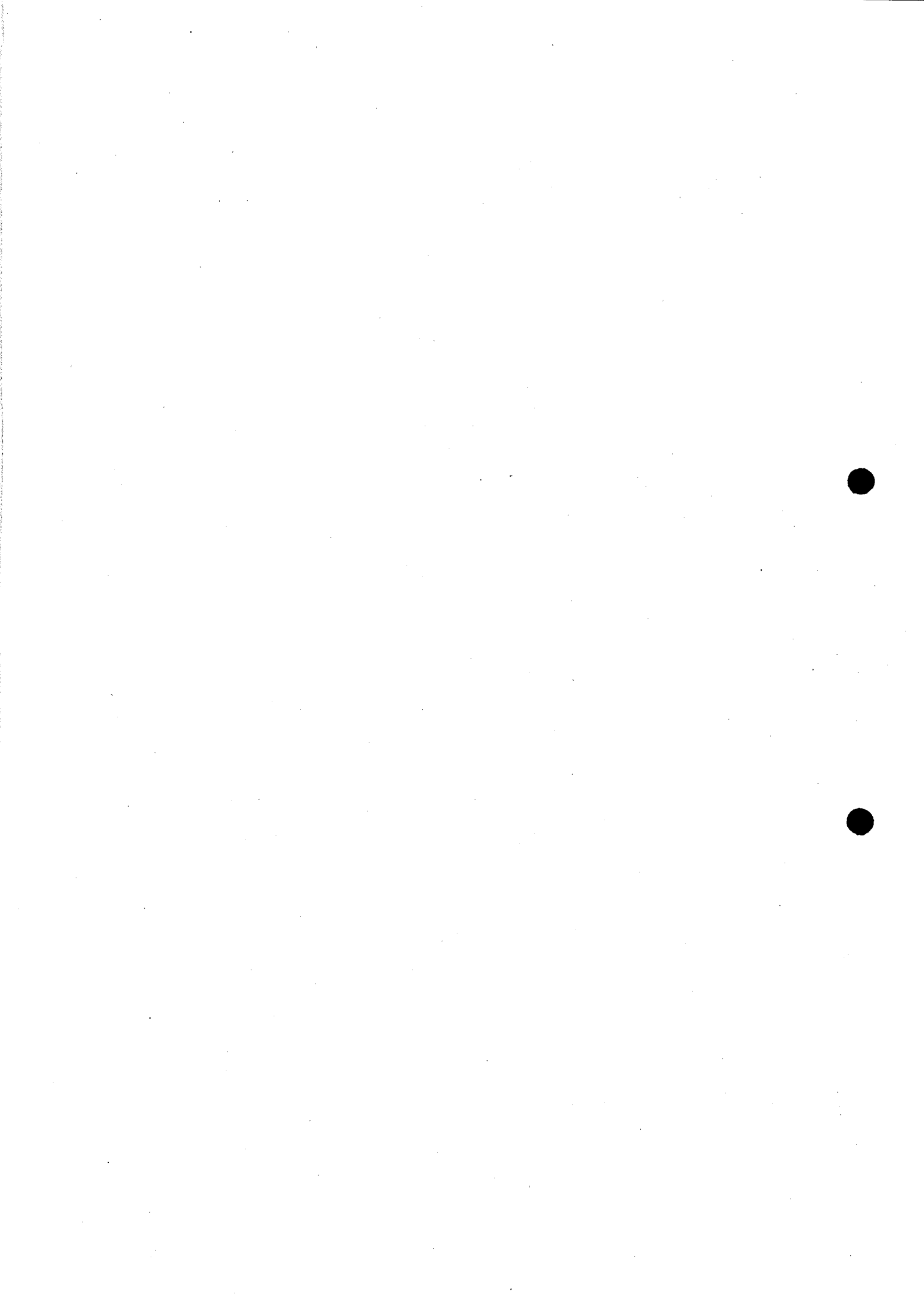
PARTS LIST

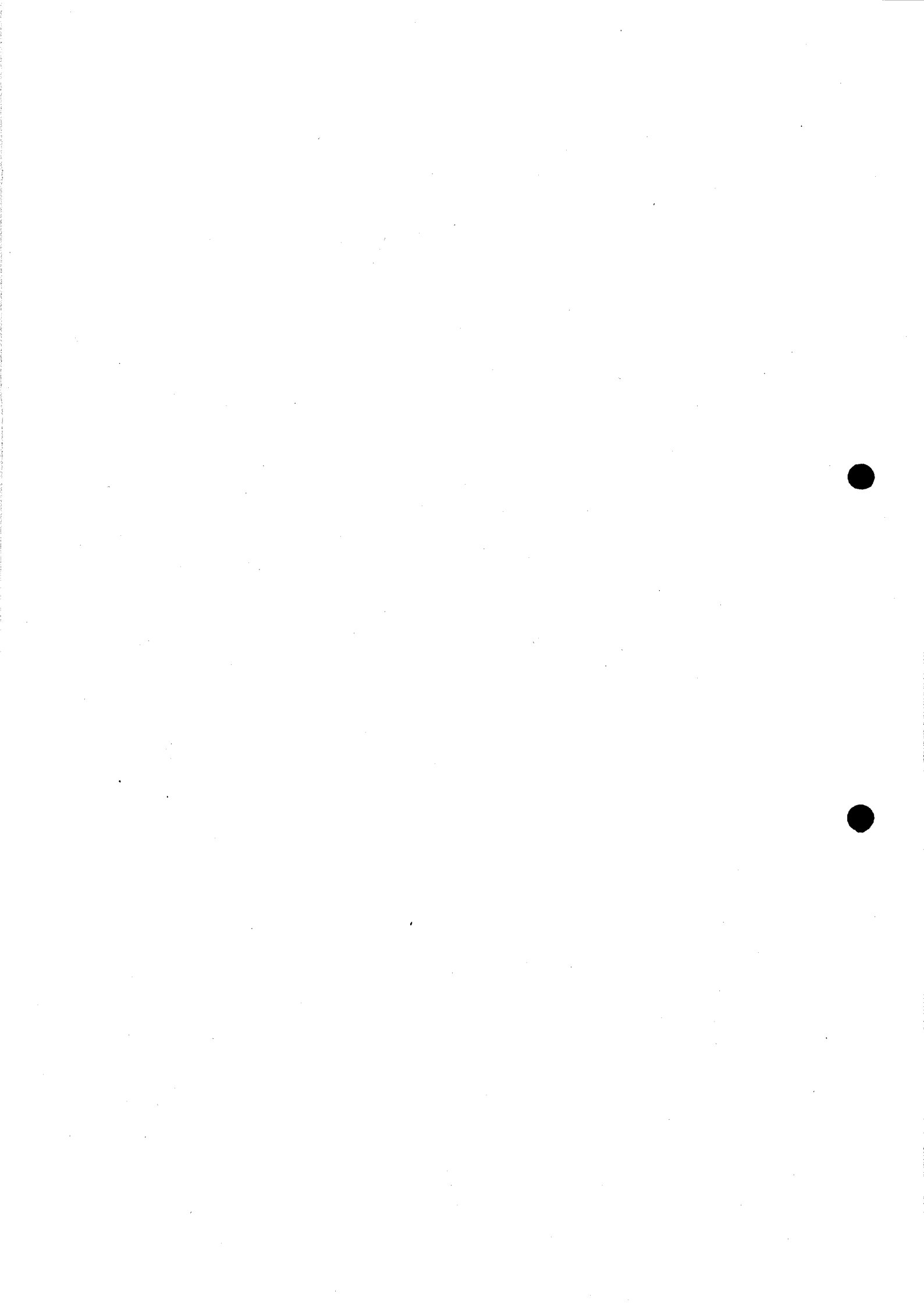
**CABLE ASSEMBLY, SPECIAL PURPOSE, ELECTRICAL
(VCPU to CRU)**

Z42/5995-99-652-7739

(G.A. Drawing No. SD2/265307)

(Circuit Diagram No. N/A)







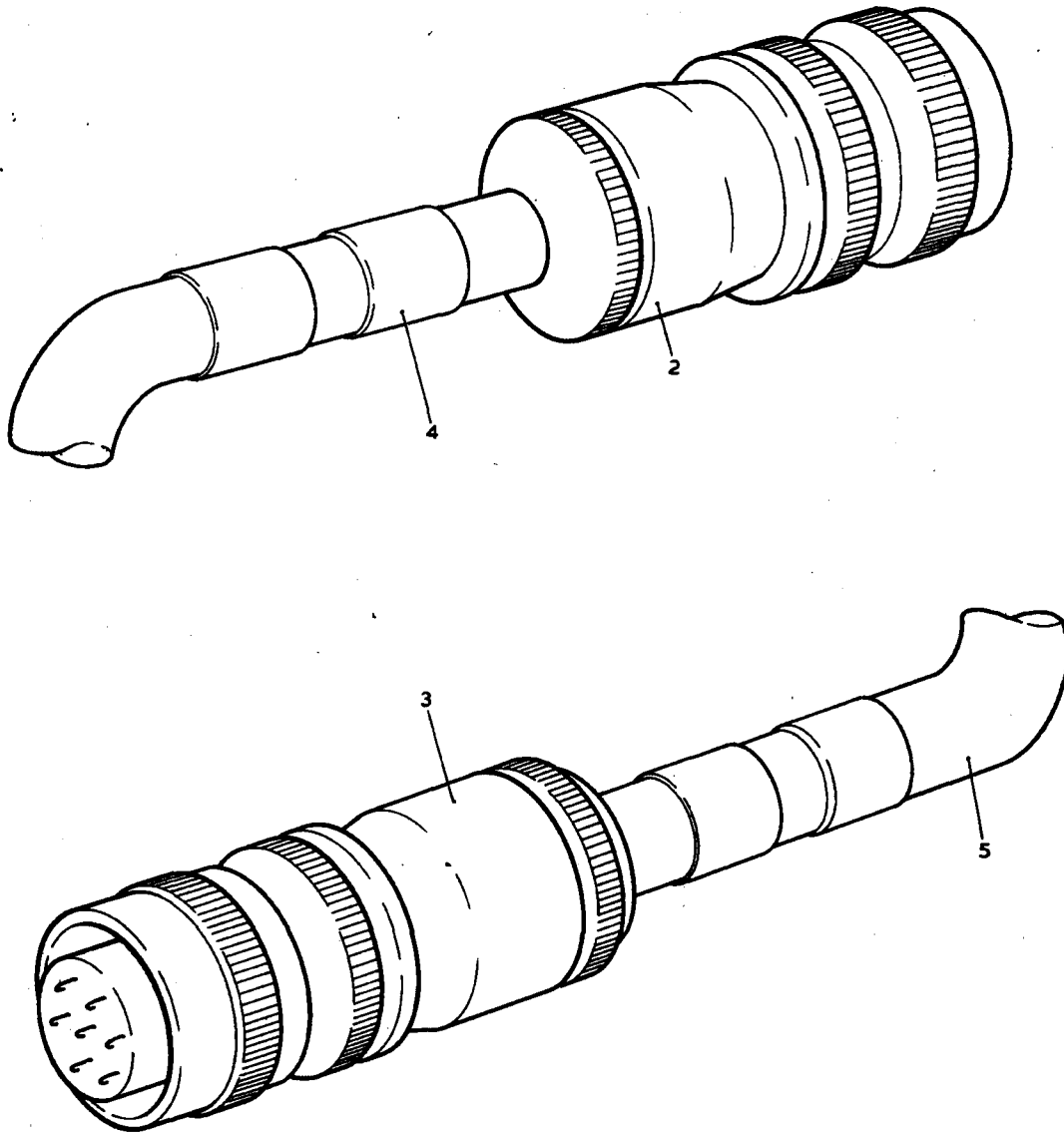


FIG.1 CABLE ASSEMBLY SPECIAL PURPOSE, ELECTRICAL
(V.C.P.U. to C.R.U.)

PARTS LIST

CABLE ASSEMBLY, SPECIAL PURPOSE, ELECTRICAL (VCPU to CRU) Z42/5995-99-652-7739

Fig-Item	Man Code Navy - N Army - A RAF - R		NATO Stock No.	Indent	Item Name and Description	Part No/ Drawing No.	No. off	Annotations	
								Class of Store and Serv. Line	CCT Ref.
1	A	Z42	5995-99-652-7739	A	CABLE ASSEMBLY, SPECIAL PURPOSE, ELECTRICAL (VCPU to CRU) 6 conductors; connector internal, straight both ends	SD2/ 265307	Ref		
1-2	A	Z32	5935-99-658-1392	B	CONNECTOR, FREE, ELECTRICAL	Thorn PT66C-10- 7-SE(T01)	1		
3	A	Z32	5935-99-658-1391	B	CONNECTOR, FREE, ELECTRICAL	Thorn PT66C-10- 7-PE(T01)	1		
4	-	-	NP	B	sleeving 5mm id pink	BS 3858 Type 3	AR		
5	A	Y3	6145-99-111-6735	B	CABLE, ELECTRICAL 6 conductors; 16/0.20 mm; PVC insulation; plastic tape; tinned copper wire braid; PVC sheath; 8.70mm max od	DEF Stan 61-12 Pt.5 16-2-6C	Ref		



Chapter 2-2-8

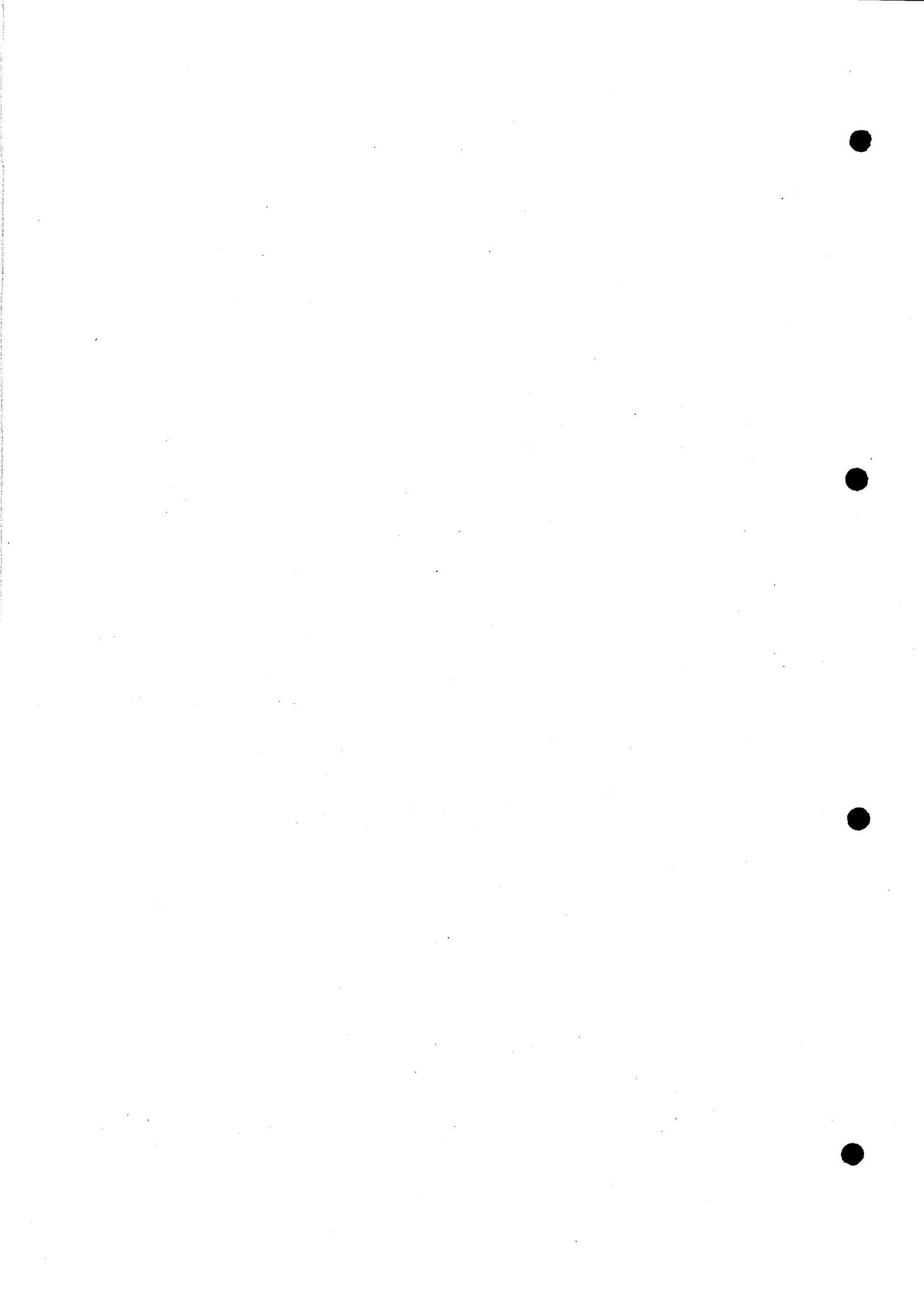
PARTS LIST

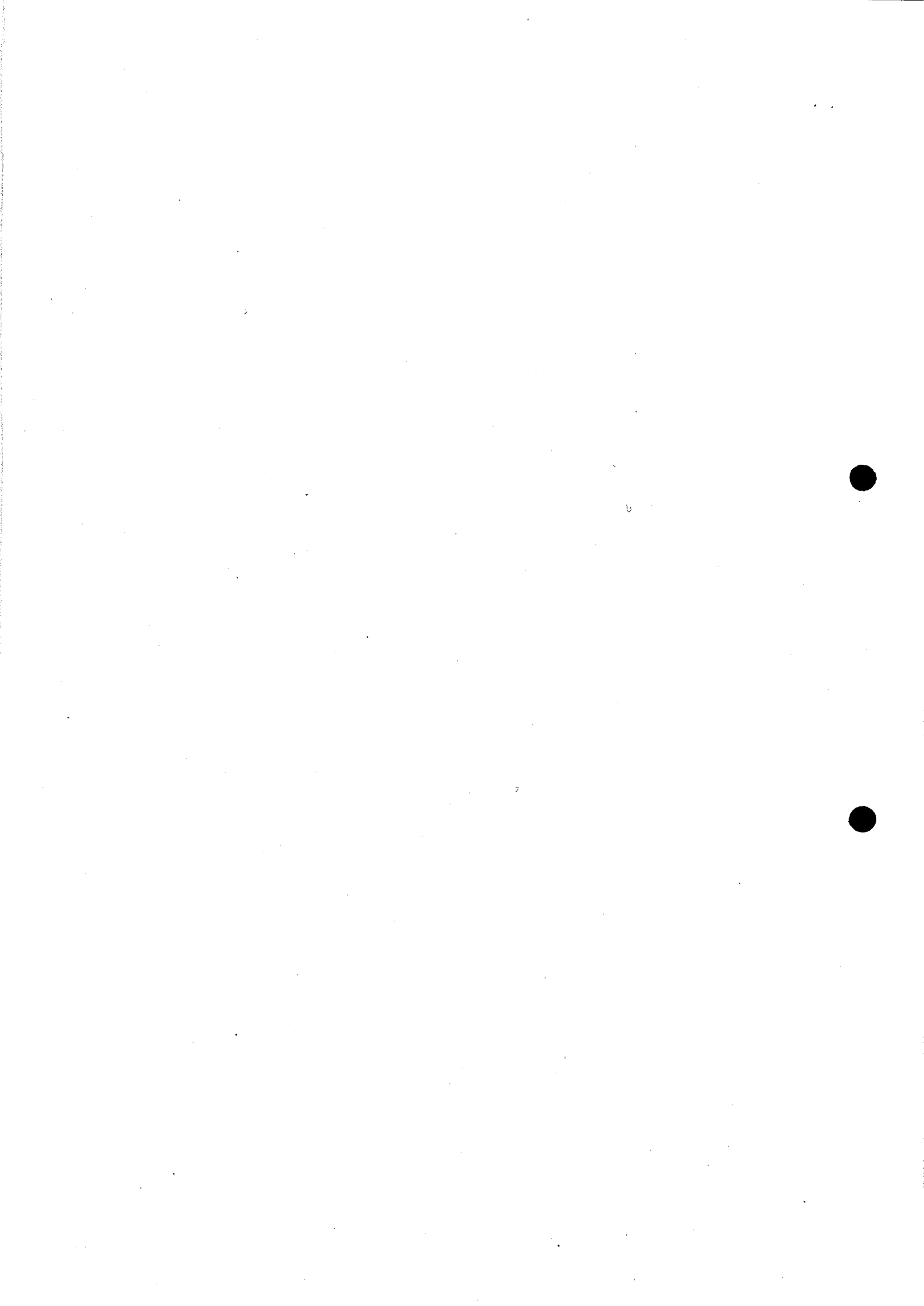
**CABLE ASSEMBLY, SPECIAL PURPOSE, ELECTRICAL
(Tape Recorder-VCPU)**

Z42/5995-99-652-7735

(G.A. Drawing No. SD2/265376)

(Circuit Diagram No. N/A)







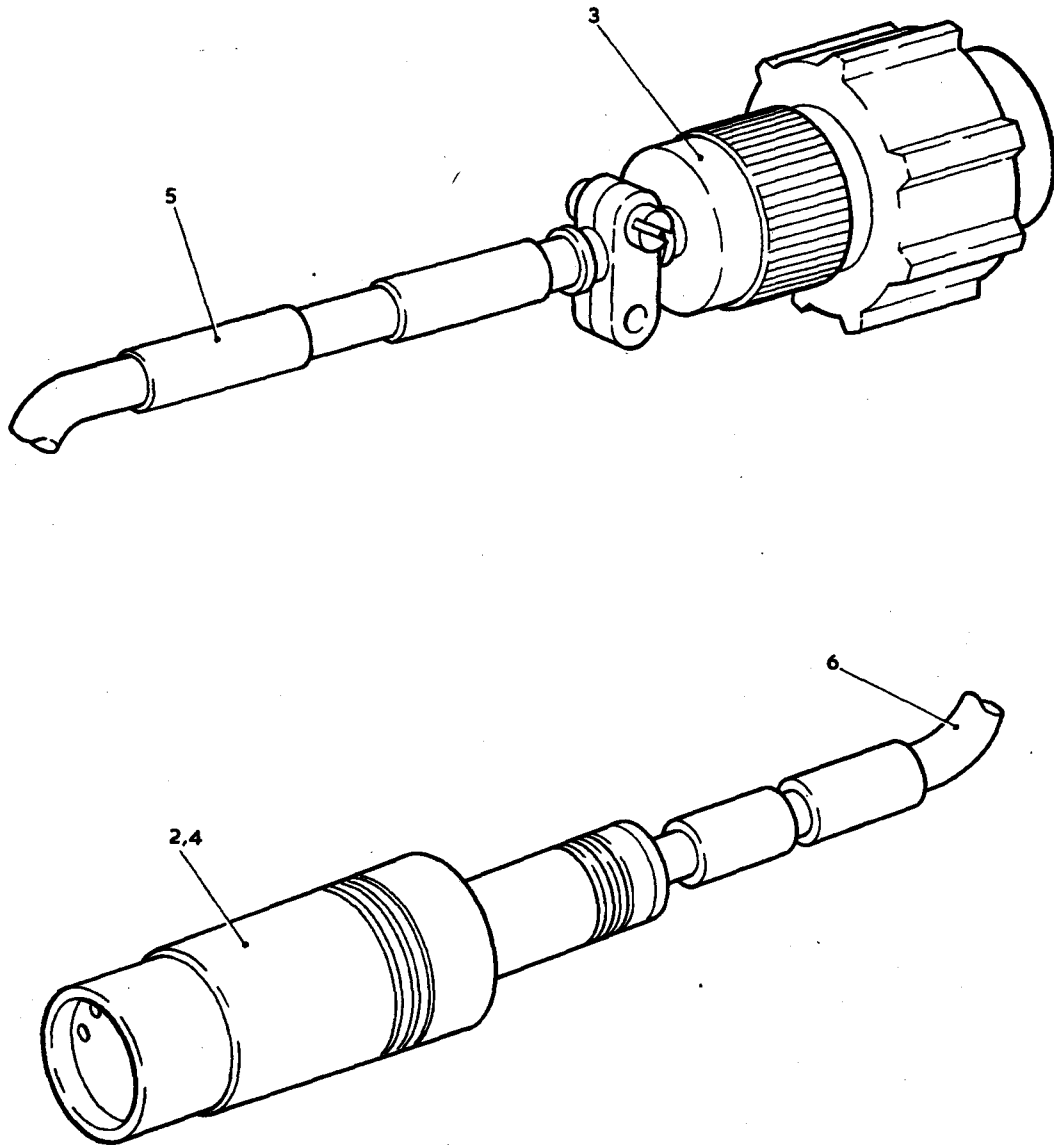
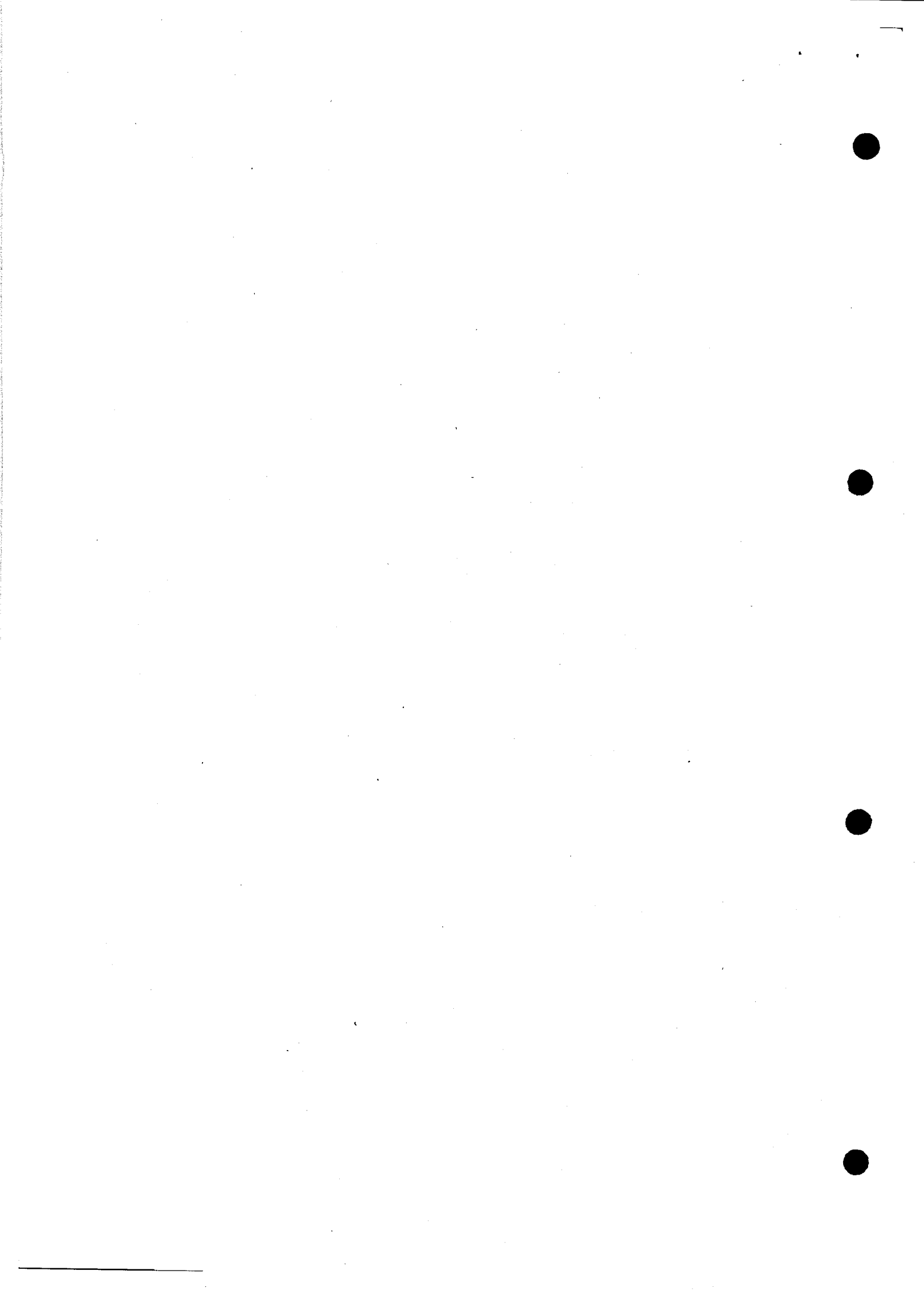


FIG. 1 CABLE ASSEMBLY, SPECIAL PURPOSE, ELECTRICAL
(Tape Recorder-VCPU)

PARTS LIST

CABLE ASSEMBLY, SPECIAL PURPOSE, ELECTRICAL
(Tape Recorder-VCPU) Z42/5995-99-652-7735

Fig-Item	Man Code		NATO Stock No.	Indent	Item Name and Description	Part No/ Drawing No.	No. off	Annotations	
	Navy - N	Army - A						RAF - R	Class of Store and Serv. Line
1	A	Z42	5995-99-652-7735	A	CABLE ASSEMBLY, SPECIAL PURPOSE, ELECTRICAL (Tape Recorder-VCPU) 4 conductors; connector external, straight 1st end; connector internal straight 2nd end	SD2/265376	Ref		
1-2	A	Z32	5935-99-658-4768	B	CONNECTOR, FREE, ELECTRICAL straight shape; 56mm lg by 15mm dia; nickel finish; 1 mating end; 5 contacts; keyway; 100V ac; sleeve clamp; 7.93mm max. dia; aluminium	RS Components 478-396	1		
3	A	Z32	5935-99-658-3179	B	CONNECTOR, FREE ELECTRICAL straight shape; quick connect w/strain relief; 1-3/4in. lg, 3/4in. dia; chromate w/olive drab finish; 1 mating end; 4 contacts; insert position; 500V ac; cable clamp; 5/32in. dia; aluminium alloy; bayonet slot.	Amphenol 62GB-16F-8-4P(O44)	1		
4	-	-	NP	B	sleeving 1.5mm id, pink	BS 3858 Type 2	A/R		
5	-	-	NP	B	sleeving 3mm id, pink	BS 3858 Type 3	A/R		
6	A	Y3	6145-99-110-8628	B	CABLE, SPECIAL PURPOSE, ELECTRICAL 4 conductors; 7/0.2mm; PVC insulation, plastics tape, copper braid screen, PVC sheathed; 4.6mm max dia	DEF Stan 61-12 Pt.4 7-2-4C	A/R		



RESTRICTED

5820-F-300-711

Chapter 2-2-9

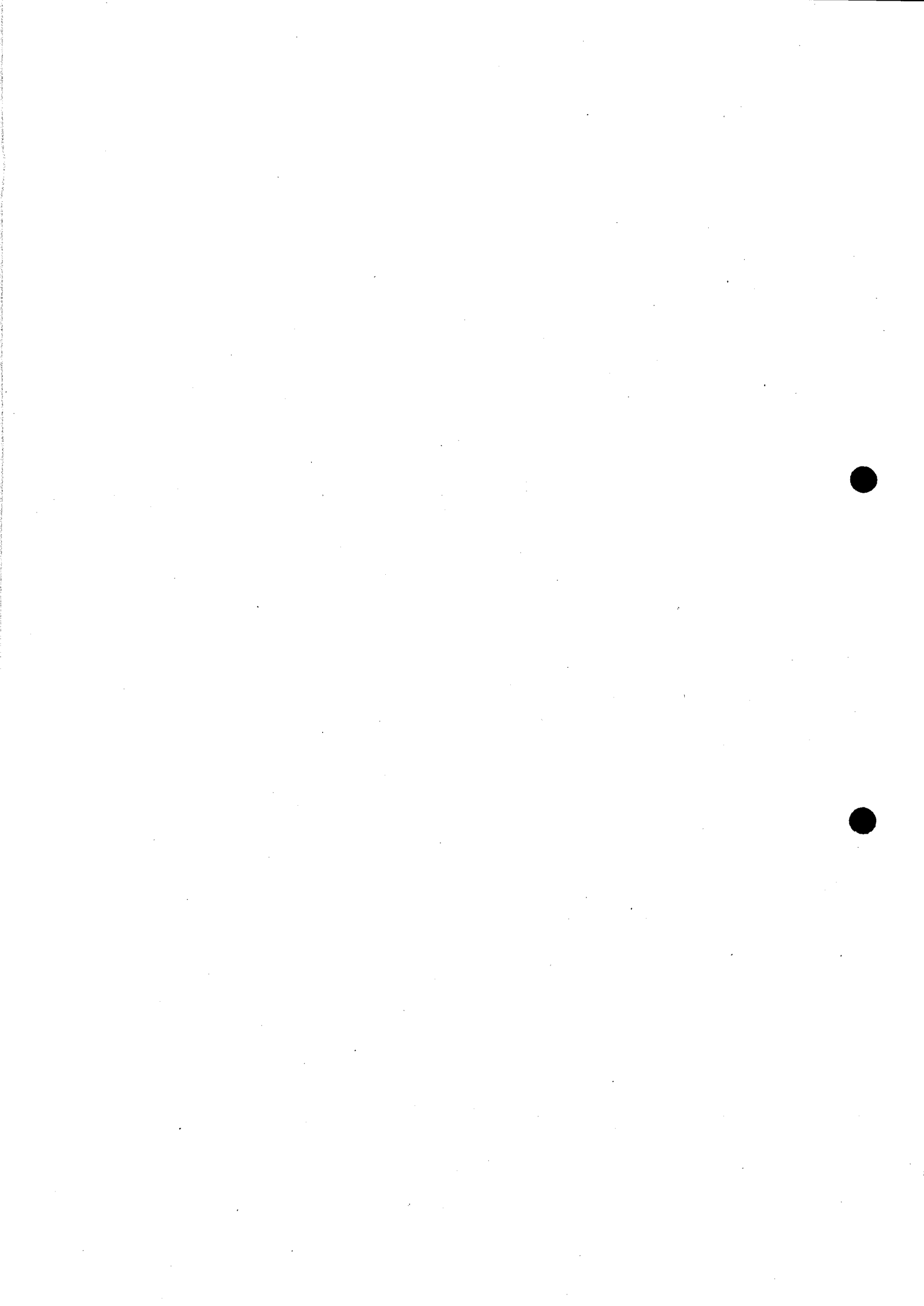
PARTS LIST

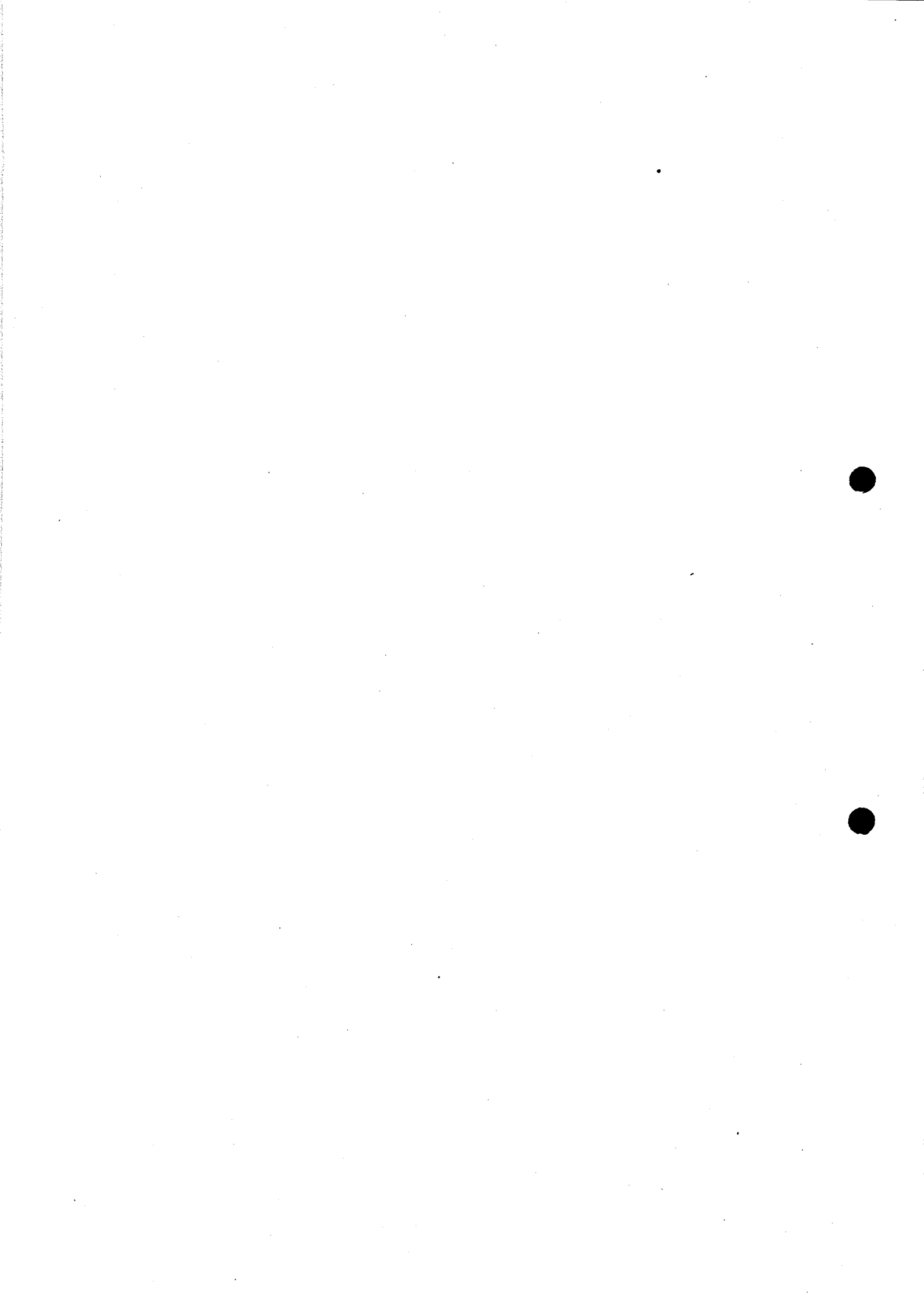
**CABLE ASSEMBLY, SPECIAL PURPOSE, ELECTRICAL
(LSAU to VCPU/PCPU)**

Z42/5995-99-652-7736

(G.A. Drawing No. SD2/265351)

(Circuit Diagram No. N/A)







4

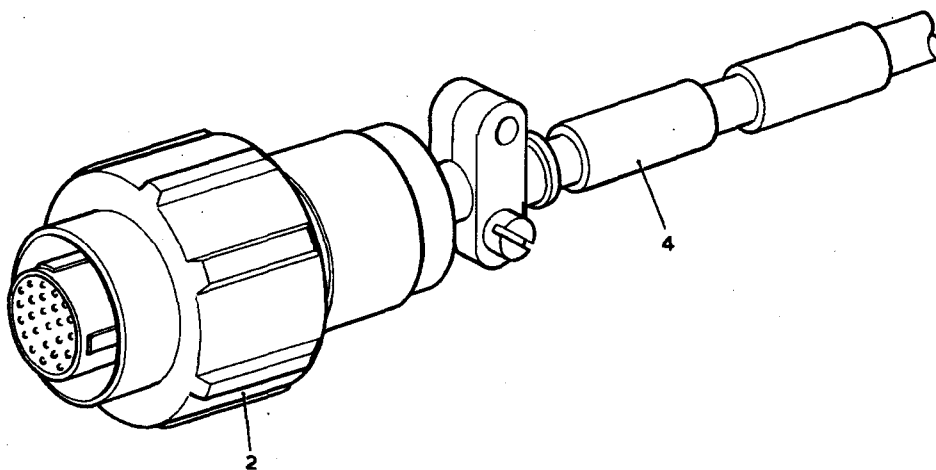
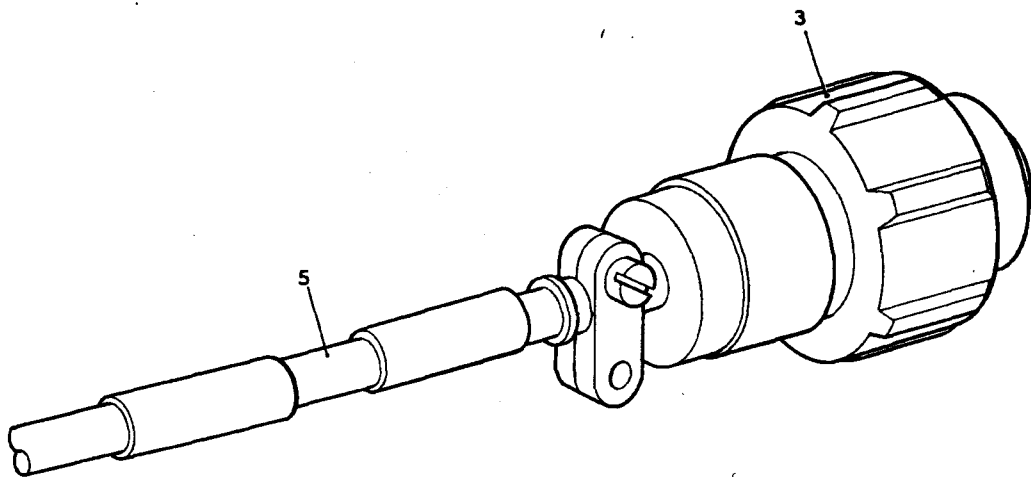
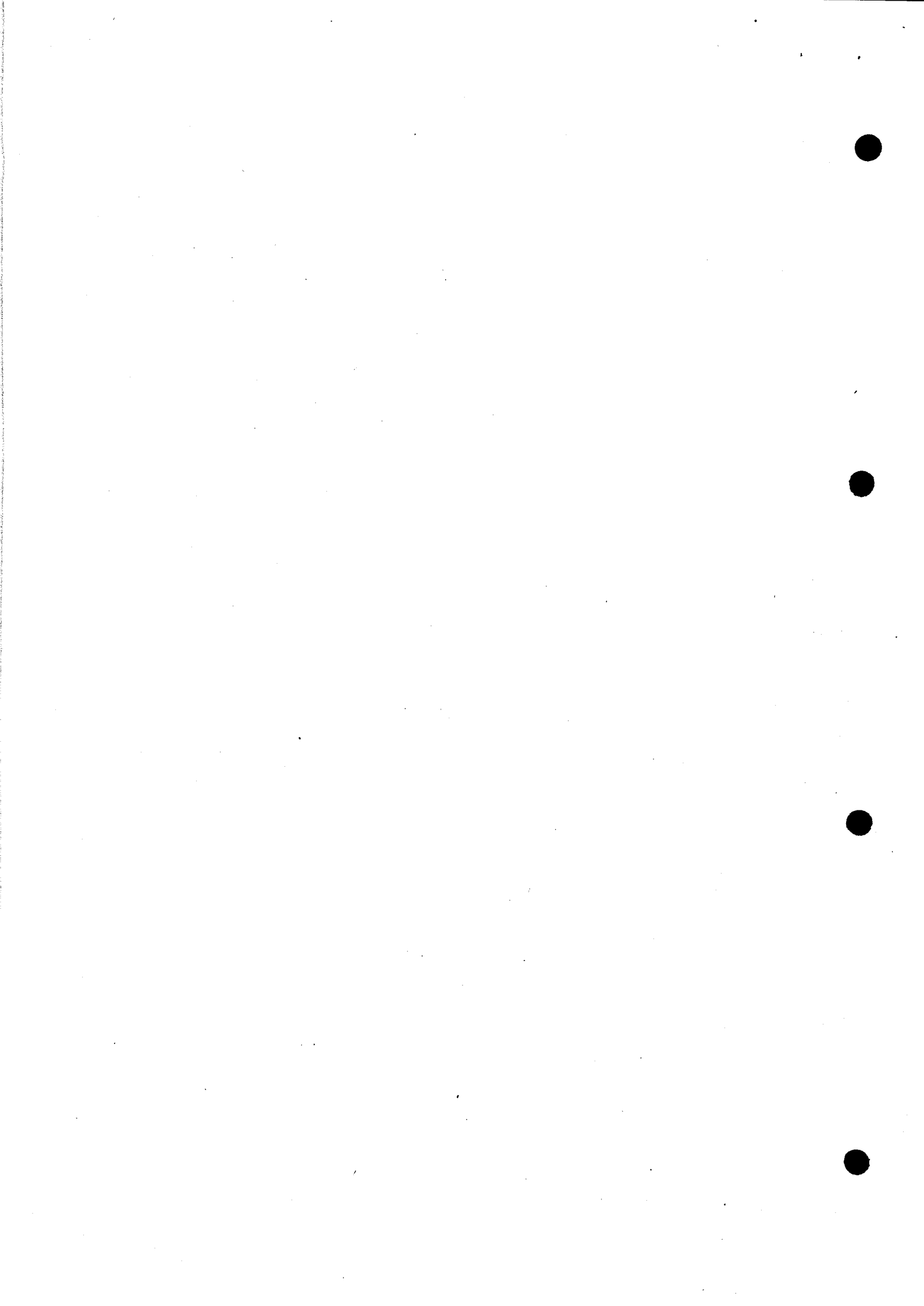


FIG.1 CABLE ASSEMBLY, SPECIAL PURPOSE, ELECTRICAL
(LSAU to VCPU/PCPU)

PARTS LIST

CABLE ASSEMBLY, SPECIAL PURPOSE, ELECTRICAL
(LSAU to VCPU/PCPU) Z42/5995-99-652-7736

Fig-Item	Man Code		NATO Stock No.	Indent	Item Name and Description	Part No/ Drawing No.	No. off	Annotations	
	Navy - N	Army - A						RAF - R	Class of Store and Serv. Line
1	A	Z42	5995-99-652-7736	A	CABLE ASSEMBLY, SPECIAL PURPOSE, ELECTRICAL (LSAU to VCPU/PCPU) 4 conductors; connector, external, straight both ends	SD2/265351	Ref		
1-2	A	Z32	5935-99-658-3178	B	CONNECTOR, FREE, ELECTRICAL straight shape; quick connect w/strain relief 1-3/4in. lg, 3/4in. dia chromate w/olive drab finish; 1 mating end; 4 contacts; insert position; 500V ac; cable clamp; 5/32in. dia; aluminium alloy; bayonet slot	Amphenol 62GB-16F-8-4-PW (044)	1		
3	A	Z32	5935-99-658-3177	B	CONNECTOR, FREE, ELECTRICAL straight shape; quick connect w/strain relief 1-3/4in. lg, 3/4in. dia chromate w/olive drab finish; 1 mating end; 4 contacts; insert position; 500V ac; cable clamp; 5/32in. dia; aluminium alloy; bayonet slot	Amphenol 62GB-16F-8-4-SW (044)	1		
4			NP	B	sleeving, 5mm id, pink	BS 3858 Type 3	AR		
5	A	Y3	6145-99-110-8628	B	CABLE, SPECIAL PURPOSE, ELECTRICAL 4 conductors; 7/0.2mm; PVC insulation; plastics tape, copper braid screen; PVC sheathed; 4.6mm max dia.	DEF Stan 61-12 Pt.4 7-2-4C	Ref		



Chapter 2-2-10

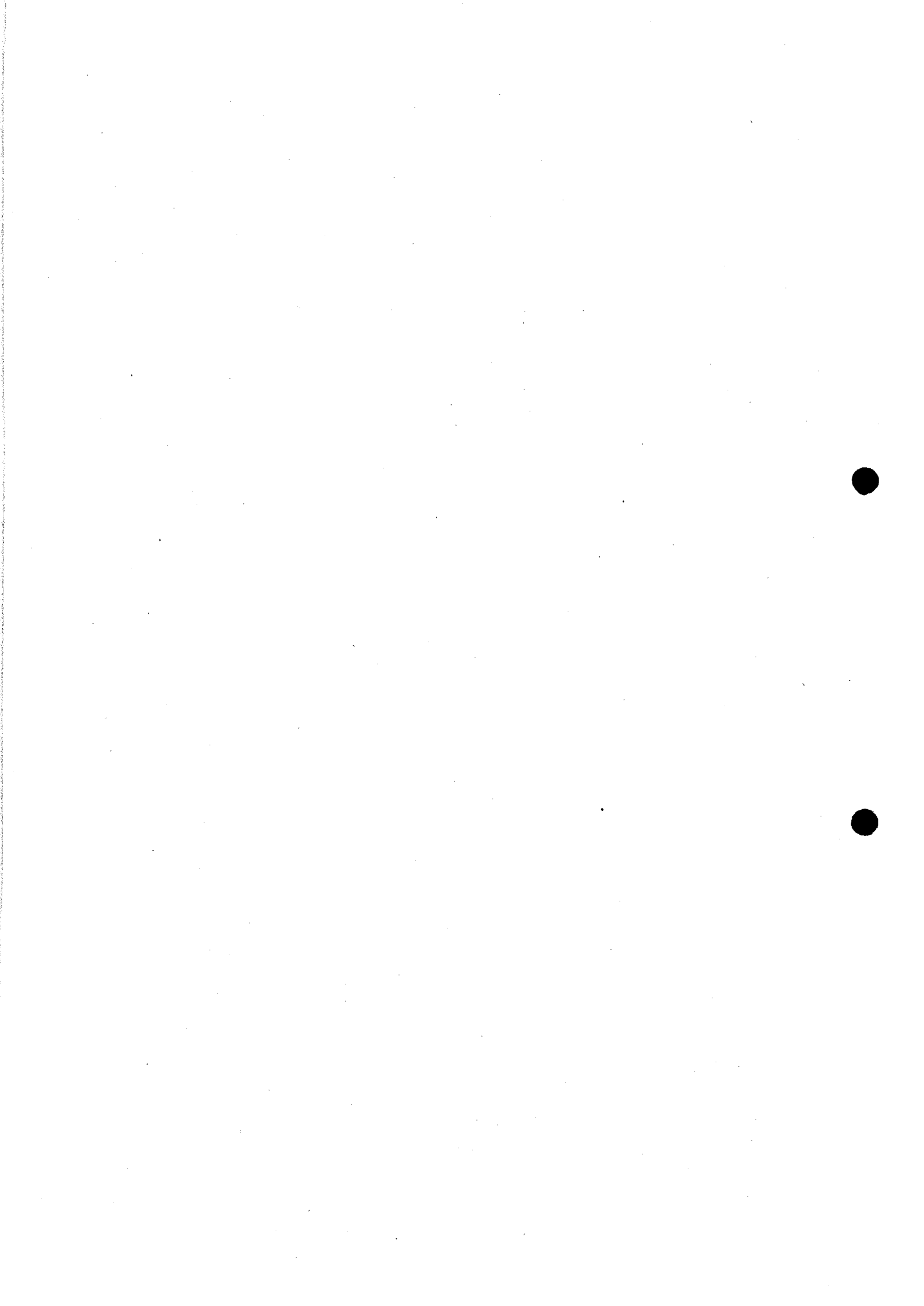
PARTS LIST

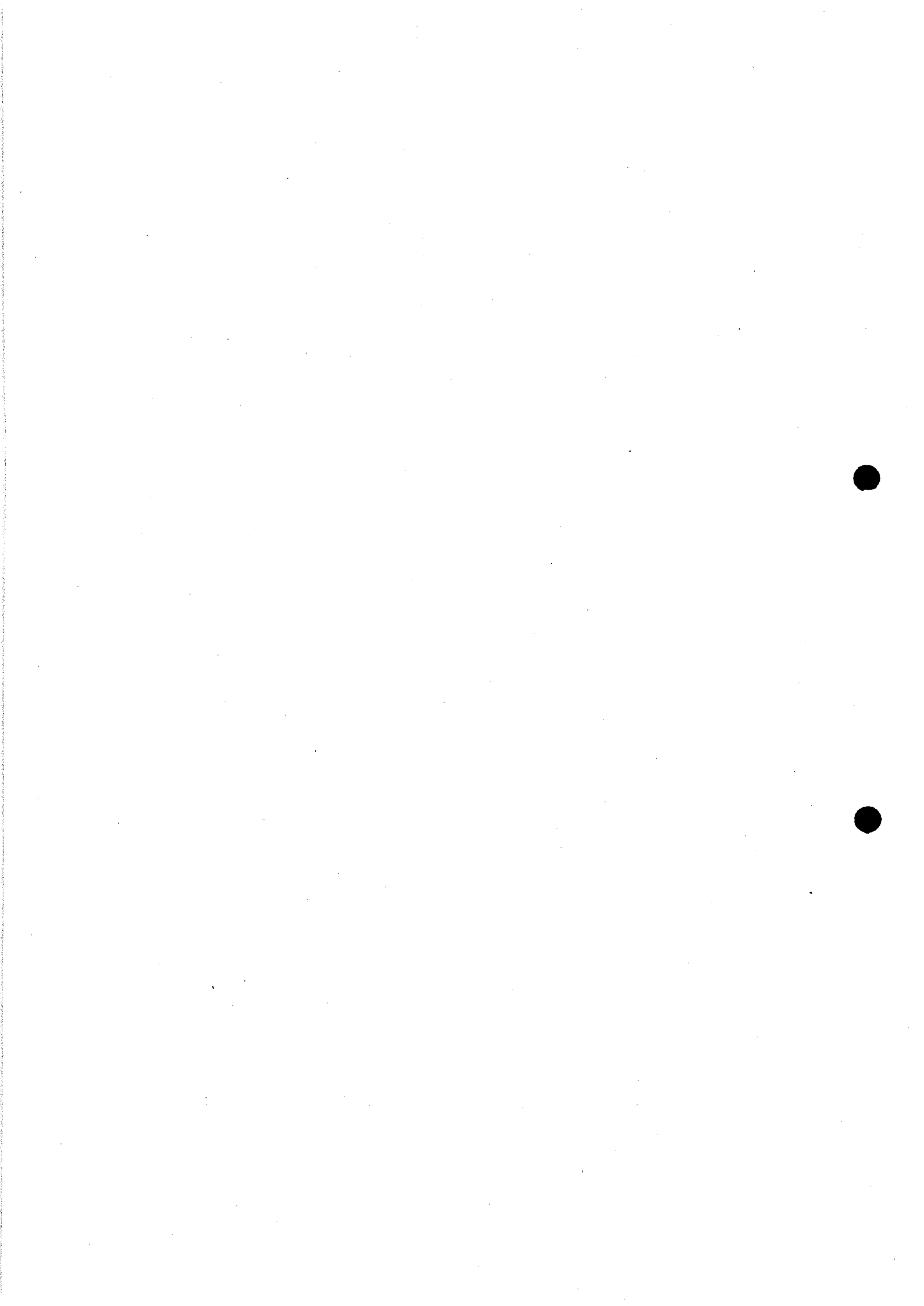
**CABLE ASSEMBLY, POWER, ELECTRICAL
(Battery-VCPU)**

Z42/5995-99-652-7738

(G.A. Drawing No. SD2/265377)

(Circuit Diagram No. N/A)







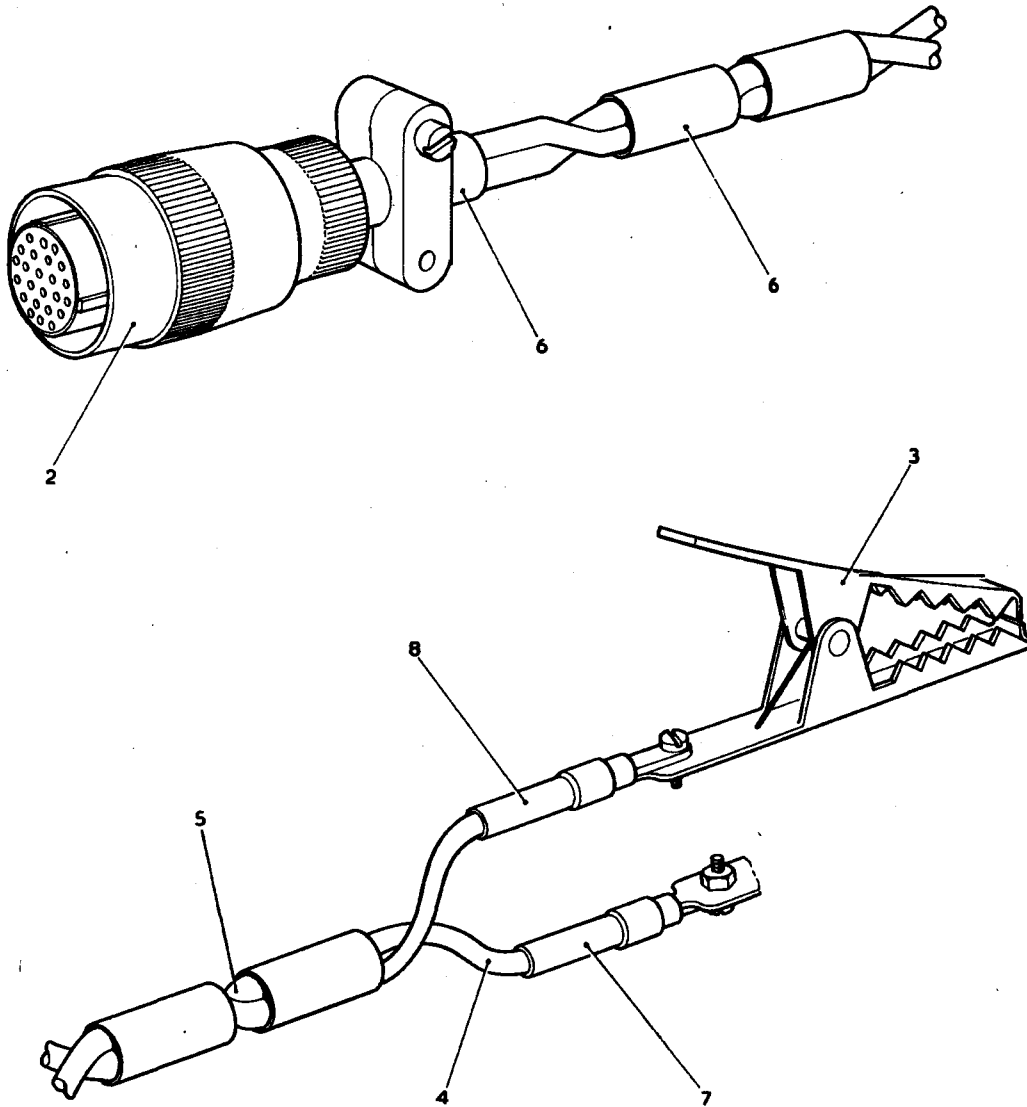
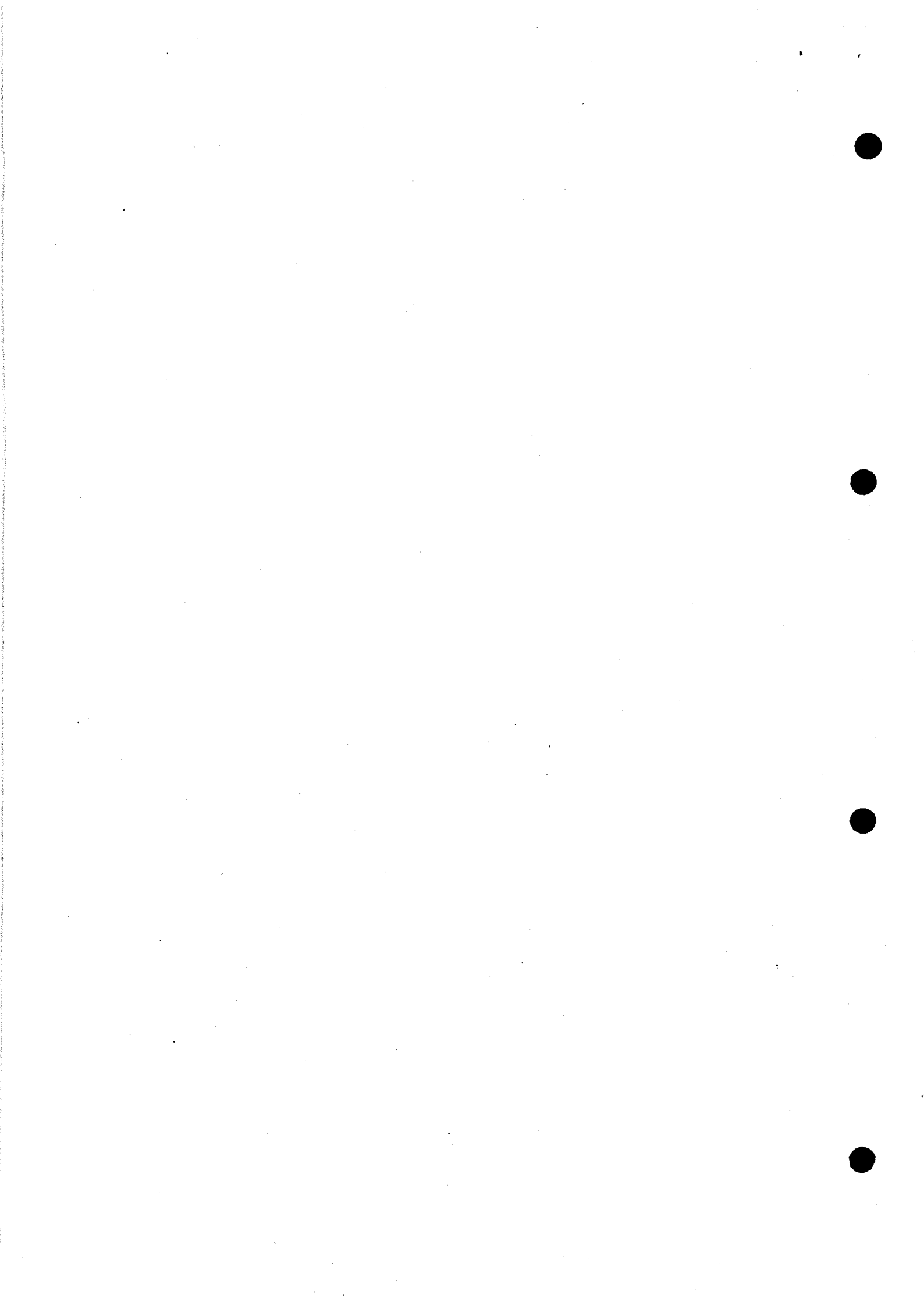


FIG. 1 CABLE ASSEMBLY, POWER, ELECTRICAL
(Battery-VCPU)

PARTS LIST

CABLE ASSEMBLY, POWER, ELECTRICAL (Battery-VCPU) 242/5995-99-652-7738

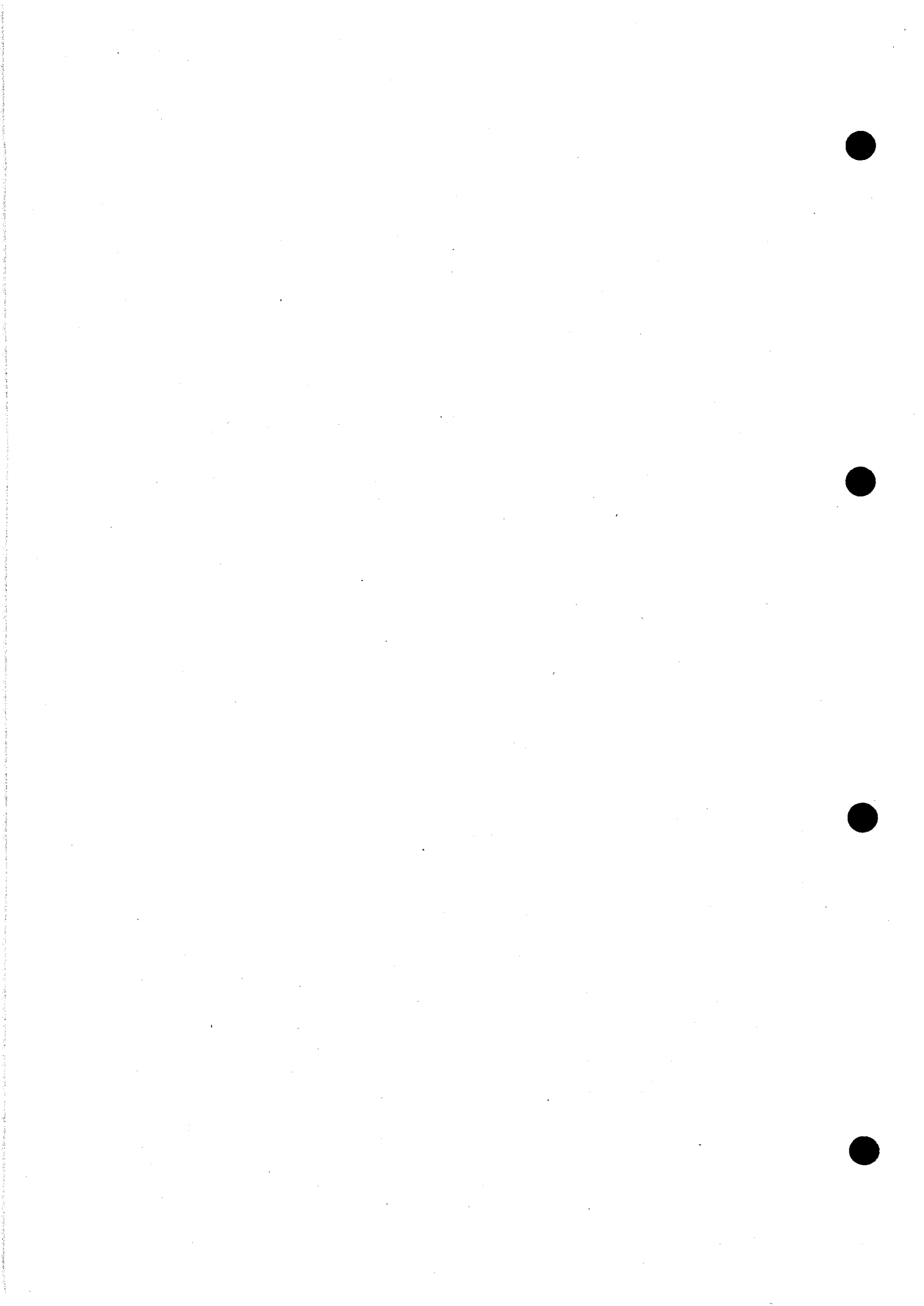
Fig-Item	Man Code Navy - N Army - A RAF - R		NATO Stock No.	Indent	Item Name and Description	Part No/ Drawing No.	No. off	Annotations	
								Class of Store and Serv. Line	CCT Ref.
1	A	Z42	5995-99-652-7738	A	CABLE ASSEMBLY, POWER, ELECTRICAL (Battery-VCPU) 2 conductors; connector ext straight 1st end; clip, terminal 2nd end	SD2/ 265377	Ref		
1-2	A	Z32	5935-99-652-6991	B	SOCKET, ELECTRICAL free; 2 pole; female shell	Thorn PT06E-10- 2SC(SR)	1		
3	A	Z42	5999-99-940-0859	B	CLIP, ELECTRICAL crocodile clip; 3in. o/a lg, lin. o/a h, 1/2in. o/a w; 1-1/8in. jaw; steel; 50A; screw terminal	DEF Stan 59-5 Pt.1/2 MOD(EQD) ITA/31833	1		
4	A	Y3	6145-99-111-8688	B	WIRE, ELECTRICAL type 3; 24/0.20mm; PVC insulation; red	DEF Stan 61-12 (Pt.6)	3.2m		
5	A	Y3	6145-99-111-8768	B	WIRE, ELECTRICAL type 3; 24/0.20mm; PVC insulation; black	DEF Stan 61-12 (Pt.6)	3.2m		
6	-	-	NP	B	sleeving 3mm id, pink	BS 3858 Type 3	A/R		
7	-	-	NP	B	sleeving 2mm id, pink	BS 3858 Type 3	A/R		
8	-	-	NP	B	sleeving 1.5mm id, pink	BS 3858 Type 3	A/R		



Chapter 3

INDEX OF NATO STOCK NUMBERS

CHAPTER 3



Chapter 3
INDEX OF NATO STOCK NUMBERS

RADIO STATION UK PSC540 (Short Range Communication and Recording Equipment)

NATO Stock No.	Chapter, Page and Item No.	NATO Stock No.	Chapter, Page and Item No.	NATO Stock No.	Chapter, Page and Item No.
5340-14-354-6866	2-2-5,7-5	5920-99-059-0009	2-1-4-1,	6145-99-111-6735	2-2-7,7-5
5340-14-362-2945	2-2-4,7-9		8-15	6145-99-111-8682	2-1-5-2,
5835-17-009-9987	2-1,9-20		2-2-1,		8-20
5970-99-001-1340	2-1-7,		12-35	6145-99-111-8688	2-2-10,
	7/8-2		2-2-3,		7/8-4
5940-99-012-0234	2-1-3,	5920-99-059-0137	15-59	6145-99-111-8702	2-1-5-2,
	10-31		2-1-4-1,		8-22
	2-1-4		7-4	6145-99-111-8762	2-1-5-2,
	16-51		2-2-3,		8-21
	2-2-1,	5920-99-059-1061	10-10	6145-99-111-8768	2-2-10,
	12-40		2-2-1,7-2		7/8-5
	2-2-3,		2-1-4-1,	5325-99-112-2286	2-1-4,
	15-56		8-14		11-18
5935-99-012-8774	2-2-1,14-		2-2-1,	5365-99-114-5294	2-1-1,
5905-99-013-5834	2-1-5-1,		12-36		9-22
	6-17		2-2-3,		2-1-4,
	2-1-5,9-14		15-58		12-23
5905-99-013-6221	2-1-5-2,	5355-99-097-0183	2-1-4-1,		2-2-3,
	9-27		7-7		13-34
5905-99-013-6280	2-1-5-2,		2-2-1,7-5	8130-99-115-8152	2-1,10-28
	9-26		2-2-3,9-9	5340-99-119-6084	2-1-2,9-20
4440-99-013-9208	2-1-3,	5999-99-097-0184	2-1-4-1,		2-1-3-1-1,
	12-44		7-5		9-19
5905-99-014-0539	2-2-1,		2-2-1,7-3		2-1-4,
	10-26		2-2-3,9-7		15-43
5935-99-014-7206	2-2-1,	5355-99-097-0186	2-1-4-1,		2-1-4-1,
	12-39		7-6		9-19
6145-99-014-9422	2-1-5-1,		2-2-1,7-4		2-1-5,8-13
	6-16		2-2-3,9-8		2-2-1,
6145-99-014-9533	2-1-7,	5320-99-105-0868	2-2-2,7-3		14-51
	7/8-6	5320-99-105-0874	2-1-4,		2-2-3,
5910-99-017-4540	2-1-3-1-1,		11-17		14-47
	9-17		2-2-3,	5305-99-122-0412	2-2-1,
	2-2-1,		10-17		11-31
	11-27		2-2-3,	5310-99-122-3030	2-1-5-1,
	2-2-3,		11-19		5-10
	14-42		2-2-3,	5310-99-122-3031	2-1-3,
5961-99-038-1974	2-2-1,		13-39		10-25
	13-45	5940-99-108-3117	2-2-1,		2-1-4,
5910-99-038-6137	2-1-5-1,		10-20		16-50
	6-18	6145-99-110-8583	2-1-5-1,		2-2-4,8-12
5930-99-051-0551	2-2-3,		6-15		2-2-5,7-8
	15-53	6145-99-110-8628	2-1-6,	5310-99-122-3065	2-1-5-2,
5930-99-648-3615	2-2-1,		7/8-6		8-17
	13-42		2-2-8,7-6	5305-99-122-5270	2-1-4,10-9
	2-2-3,		2-2-9,		2-2-1,8-9
	15-54		7/8-5		2-2-2,8-9

NATO Stock No.	Chapter, Page and Item No.	NATO Stock No.	Chapter, Page and Item No.	NATO Stock No.	Chapter, Page and Item No.
5305-99-122-5271	2-1-4, 11-15 2-1-4, 17-59 2-2-3, 10-14	5305-99-135-0422	2-1-4, 15-48 2-2-3, 11-25 2-1-3,7-7 2-1-3,8-11 2-1-3-1-1, 9-14 2-1-4, 16-50 2-2-1, 10-24	5310-99-135-2545	2-1-4, 17-56 2-1-4, 17-60 2-1-4-1, 9-22 2-2-1,9-19 2-2-3, 16-63 2-1-5-1, 5-11 2-1-5-2, 8-18
5305-99-122-5277	2-1-3,8-12 2-1-4-1, 8-13 2-2-1, 12-34		2-2-1,9-14 2-2-3, 14-44 2-2-3,9-3 2-2-3, 15-51 2-1-2,8-10 2-1-3,9-23 2-1-3,8-10 2-2-5,7-6	5310-99-135-2546	2-1-2,8-11 2-1-3-1-1, 9-15 2-1-4, 11-13 2-1-4, 13-33 2-1-4, 16-49 2-2-1, 10-25 2-2-3, 12-26
5310-99-122-5294	2-2-5, 8-16		2-1-5-1, 5-9 2-1-4, 13-30 2-1-4, 17-61 2-1-2,8-16 2-1-3, 10-26 2-1-3-1-1, 9-16 2-2-4,8-13 2-2-5,8-9 2-1-5,8-8 2-1-3, 10-30 2-1-3, 12-40 2-1-3-1, 8-12 2-1-3-1-1, 8-12 2-1-4, 10-10 2-1-4 13-29		2-1-5-2, 8-18
5315-99-130-2538	2-1-3, 10-27		5305-99-135-0423		2-1-2,8-11
5305-99-135-0414	2-1-3-1, 8-11 2-1-4-1, 9-21 2-2-1, 10-22 2-2-1,9-18 2-2-2,7-7 2-2-2,8-11	5305-99-135-0424	5305-99-135-0429		2-1-3-1-1, 9-15
5305-99-135-0415	2-1-3, 10-29 2-1-3, 11-39 2-1-3-1-1, 7-5 2-1-3-1-1, 8-11 2-1-4,10-8 2-1-4, 13-28 2-1-5-1, 5-7	5305-99-135-0434	5310-99-135-0754		2-1-4, 11-13 2-1-4, 13-33 2-1-4, 16-49 2-2-1, 10-25 2-2-3, 12-26 2-1-8,8-10 2-1-1, 10-31 2-1-1, 11-39 2-1-1,8-12 2-1-5,7-6 2-1-5-2, 8-16
5305-99-135-0416	2-2-3, 16-62		5310-99-135-0755		2-2-2,7-8 2-2-2,8-12 2-1-1,8-14 2-1-1,9-17 2-1-4, 14-36 2-1-5,7-7 2-2-3, 12-29 2-1-1,9-19 2-1-4, 14-38 2-1-5,8-10 2-2-3, 12-31 2-2-3, 12-28
5305-99-135-0418	2-1-4, 17-55 2-1-5-1, 5-8	5310-99-135-2533 5310-99-135-2545			
5305-99-135-0421	2-1-3-1-1, 8-8, 2-1-4, 10-12 2-1-4, 13-32				

RADIO STATION UK PSC540 (Short Range Communication and Recording Equipment)

NATO Stock No.	Chapter, Page and Item No.	NATO Stock No.	Chapter, Page and Item No.	NATO Stock No.	Chapter, Page and Item No.
5305-99-136-5665	2-1-1, 10-27	5935-99-523-4978	2-1-1-1-1, 10-10,		2-1-1-1-1, 10-12
	2-1-1,9-17		2-1-1-1-2, 10-10,		2-1-1-1-2, 10-12
	2-1-1-1, 11-30		2-1-3-1-2-2 9-6		2-1-3-1-2-1,10-8
5315-99-137-3472	2-2-4,7-6	5935-99-620-2983	2-1-3-1-2, 9-19	5310-99-631-6268	2-1-3-1-2-2,10-8
5305-99-137-3672	2-1-1-1, 8-7	5965-99-620-5669	2-1,8-15		2-1-1-1, 8-11
5310-99-138-3263	2-1-1-1, 8-12	5965-99-620-5670	2-1,8-14		2-1-1-1, 9-18
	2-1-1-1, 9-19	5965-99-620-8320	2-1,7-7		2-1-3-1-2, 10-22
5305-99-138-3873	2-1-1-1, 9-14	5820-99-621-9027	2-1,10-25		2-1-3-1-2, 7-5
	2-1-3, 11-37	5935-99-622-3311	2-1-5-2, 8-15		2-1-3-1-2, 9-14
5310-99-138-8852	2-1-3-1-1, 7-6	5970-99-622-8998	2-1-2,9-21		2-1-3-1-2, 9-14
5310-99-138-9224	2-1-3, 10-24	5305-99-622-9134	2-1-1-1, 8-10	5310-99-631-6269	2-1-1, 10-28
5310-99-138-9225	2-1-3, 10-24	5905-99-624-2668	2-1-3-1-2-1, 13-32		2-1-1,8-13
	2-1-3,7-8	5930-99-626-3655	2-1-1-1, 10-22		2-1-1,9-18
	2-1-3,8-13	5935-99-626-4256	2-1-2,7-4		2-1-1-1, 11-31
	2-1-3-1-1 8-9		2-1-4,9-5		2-1-4, 14-37
	2-2-1,9-15	5365-99-626-4284	2-2-1,7-6		2-2-3, 12-30
	2-2-3, 14-45		2-1-1-1, 10-23		2-1-3-1-2-1,14-35
	2-2-3, 15-52		2-1-3, 11-33	5905-99-631-6337	2-1-4-1, 8-17
	2-2-3,9-4		2-1-4-1 7-8	5935-99-632-5209	2-1-4,9-4
	2-2-4,8-11		2-2-3, 10-11	5935-99-633-6120	2-1-1-12, 11-15
	2-2-5,7-7		2-1-2,9-17	5820-99-635-4534	2-1-1-1,7-2
5310-99-138-9226	2-1-3,8-16	5935-99-626-5472	2-1-4 18-63	9905-99-635-5392	2-1-1-1,7-3
	2-1-3-1 7-4		2-2-1, 13-43	9905-99-635-5393	2-1-1-1-1, 9-3
	2-2-4,7-4		2-1-3, 12-42		2-1-1-1-2, 9-3
	2-2-5,7-4	5935-99-626-5479	2-1-5,7-5		2-1-3-1-2, 8-8
5305-99-139-3820	2-1-4, 14-35		2-1-5-1, 5-5		2-1-1-1-1, 10-11
5970-99-193-2923	2-1-5,8-12	5950-99-631-0475	2-1-5-2, 7-11		2-1-1-1-1, 10-11
5325-99-195-0381	2-2-3, 11-21		2-1-2,8-9		2-1-1-1-1, 10-9
5340-99-200-0880	2-1-8,8-9	5930-99-631-0676	2-1-4,10-6	5305-99-635-5739	2-1-1-1-2, 10-11
9320-99-225-0091	2-1-4, 12-20	5935-99-631-0681	2-2-1,7-7		2-1-1-1-2, 10-11
	2-2-3, 11-23		2-2-3, 10-15		2-1-1-1-2, 10-9
5315-99-437-1114	2-1-2,8-14	5310-99-631-6267	2-1-1-1, 9-15		
5330-99-522-2793	2-1-3,9-17				
5965-99-446-5686	2-2-3, 14-50				
5910-99-529-3130	2-1-5,9-18				

NATO Stock No.	Chapter, Page and Item No.	NATO Stock No.	Chapter, Page and Item No.	NATO Stock No.	Chapter, Page and Item No.
	2-1-3-1-2-1,9-5	5820-99-640-0893	2-1-1-1-2-12-24		2-2-3,10-12
	2-1-3-1-2-1,9-7		2-1-3-1-2-2,11-20	5975-99-643-1802	2-1-3-1-1,9-18
	2-1-3-1-2-2,9-5	5820-99-640-0894	2-1-1-1-2,12-23		2-1-4,15-42
	2-1-3-1-2-2,9-7		2-1-3-1-2-2,11-19		2-1-4-1,8-18
6130-99-637-0733	2-1,10-29	5820-99-640-0896	2-1-1-1-2-12-22		2-2-1,13-50
5910-99-638-9905	2-1-3-1-2-2,13-30		2-1-3-1-2-1,11-19	5820-99-643-9052	2-2-3,14-48
5905-99-638-9918	2-1-1-1-1,15-39	5820-99-640-0897	2-1-1-1-2-13-28	5820-99-643-9059	2-1-1-1-1,14-33
5820-99-639-0129	2-1-1-1-1,11-15		2-1-3-1-2-2,12-24	5930-99-648-3615	2-1,10-30
	2-1-3-1-2-1,10-11	6110-99-640-0898	2-1-1-1-1,14-31		2-2-1,13-42
	2-1-3-1-2-2,10-11		2-1-1-1-2,13-27	5820-99-649-0621	2-2-3,15-54
5940-99-639-5222	2-1-3-1-2,7-7		2-1-3-1-2-1,13-26		2-1-7,7/8-4
5820-99-640-0873	2-1-1-1-1-12-20		2-1-3-1-2-2,12-23	5905-99-649-0641	2-2-6,7/8-2
	2-1-1-1-2-11-19	5920-99-640-0900	2-1-3-1-2-1,12-25		2-1-1-1-2,14-34
	2-1-3-1-2-1,11-15	5915-99-640-0901	2-1-1-1-1,12-23	5905-99-649-0643	2-1-3-1-2-2,13-28
	2-1-3-1-2-2,11-15		2-1-3-1-2-1,12-20		2-1-1-1-2,14-33
5820-99-640-0883	2-1-1-1-2-12-21	5920-99-640-0903	2-1-1-1-1,15-41	6140-99-649-1665	2-1-3-1-2-2,13-27
	2-1-3-1-2-2,11-17		2-1-1-1-2,13-32	5905-99-649-1913	2-1,8-11
5820-99-640-0885	2-1-1-1-1-13-27		2-1-3-1-2-1,13-31	9905-99-649-2246	2-1-1-1-1,15-37
	2-1-3-1-2-1,12-21		2-1-3-1-2-2,12-26		2-1-3-1-2-1,14-34
5820-99-640-0886	2-1-1-1-1-13-28	5310-99-640-0911	2-1-1-1,11-28		2-1-2,7-2
	2-1-3-1-2-1,12-22		2-1-3,9-21		2-1-3,7-3
5820-99-640-0887	2-1-1-1-1-13-29	5820-99-640-2403	2-1-1-1-1,14-32		2-1-3,9-3
	2-1-3-1-2-1,12-23		2-1-3-1-2-1,12-24		2-1-4-1
5915-99-640-0888	2-1-1-1-1-13-30	5330-99-642-1866	2-1-1-1,10-24		7-2
	2-1-3-1-2-1,13-27		2-1-3,11-34		2-1-5,7-3
5820-99-640-0892	2-1-1-1-2-12-25		2-1-4-1		2-1-8,7-2
	2-1-3-1-2-2,12-21		7-9		2-2-1,8-12
					2-2-2,7-5
					2-2-3,9-6
					2-2-4,8-15
					2-2-5,8-10

RADIO STATION UK PSC540 (Short Range Communication and Recording Equipment)

NATO Stock No.	Chapter, Page and Item No.	NATO Stock No.	Chapter, Page and Item No.	NATO Stock No.	Chapter, Page and Item No.
9905-99-649-2246	2-1-5-1, 5-3 2-1-8-1, 5-2 2-1-5-2, 7-9	5965-99-652-7025	2-1,7-6 2-1-2,7-1	5935-99-652-7753	2-1-4, 18-65
5910-99-649-3837	2-2-1, 11-28	5820-99-652-7026	2-2,7-4 2-2-3,9-1	5940-99-652-8396	2-1-3 11-32
5305-99-651-3283	2-1-1-1 9-17	5360-99-652-7303	2-1-1,9-21 2-1-4, 14-39		2-1-4 16-52
5820-99-652-1366	2-2,7-2 2-2-1,7-1	5995-99-652-7671	2-1,10-27 2-1-7 7/8-1	5820-99-652-8408	2-2-1 12-41
5820-99-652-1369	2-1-4-1, 9-20	5995-99-652-7672	2-2-6, 7/8-1	5365-99-652-9902	2-2-3, 15-57
5820-99-652-1370	2-1-3-1-1 8-10	5835-99-652-7673	2-1,9-18 2-1,5,7-1	5820-99-652-9909	2-1-3-1-2- 1,13-28
5820-99-652-1371	2-2-1,9-16	5820-99-652-7730	2-2,7-3 2-2-2,7-1	5820-99-653-0163	2-2-1, 13-47
5820-99-652-1372	2-2-1,9-17	5820-99-652-7731	2-2,7-5 2-2-4,7-1	5820-99-653-0165	2-2-3, 16-61
5910-99-652-2206	2-2-1, 11-29	5820-99-652-7735	2-2,8-9 2-2-8,7-1	5820-99-653-0166	2-1-1-1, 8-6
5995-99-652-2694	2-1-2,9-18	5995-99-652-7735	2-2,8-9 2-2-8,7-1	5820-99-653-0167	2-1-1, 12-41
5940-99-652-3203	2-1-1-1-1, 11-14	5995-99-652-7736	2-2,8-10 2-2-9 7/8-1	5820-99-653-0169	2-1-1,7-4 2-1-1, 10-26
	2-1-1-1-2, 11-14	5995-99-652-7737	2-1,9-17 2-1-6 7/8-1	5935-99-653-0170	2-1-2,9-19
	2-1-3-1-2- 1,10-10	5995-99-652-7738	2-2,8-11 2-2-10 7/8-1	5935-99-653-0171	2-1-1-1-1, 9-2
5340-99-652-5885	2-1-3-1-2- 2,10-10	5995-99-652-7738	2-2,8-11 2-2-10 7/8-1	5935-99-653-0172	2-1-1, 11-37
5820-99-652-5886	2-1-4,10-7 2-2-2,7-6	5995-99-652-7739	2-2,8-8 2-2-7, 7/8-1	5306-99-653-0173	2-1-1, 11-33
5820-99-652-5887	2-2-1, 14-52	5950-99-652-7741	2-1-3-1-1, 8-7	5310-99-653-0174	2-1-1, 11-34
5820-99-652-5888	2-2-1, 10-23	5930-99-652-7744	2-2-1, 11-33	9905-99-653-0175	2-1-2,7-3
5820-99-652-5888	2-2-1,8-13	6130-99-652-7746	2-1-4-1 8-16	5305-99-653-0176	2-1-2,7-7
5340-99-652-5889	2-2-1, 13-46	8145-99-652-7748	2-2-1, 11-33	6140-99-653-0177	2-1-1 9-21
5930-99-652-5890	2-2-1,8-8 2-2-3, 10-13	5930-99-652-7744	2-1-4-1 8-16		2-1-4, 14-40
5340-99-652-6451	2-2-2,8-10	6130-99-652-7746	2-2-1 10-21	5820-99-653-0178	2-2-3 12-33
9905-99-652-6452	2-1-3-1, 8-13	8145-99-652-7748	2-1,7-2 2-1-8,7-1		2-1-1,9-15 2-1-4, 13-34
	2-1-3-1-1, 7-2	5985-99-652-7749	2-1.10-26		2-2-3, 12-27
	2-2-1,8-10	5935-99-652-7751	2-1-4, 18-66	5820-99-653-0834	2-1-1-1, 9-16
5935-99-652-6991	2-2-10, 7/8-2	5935-99-652-7752	2-1-4 18-64	5820-99-653-0942	2-1,7-5
5820-99-652-7024	2-1,7-4 2-1-1,7-1		2-2-1, 12-38	5820-99-653-0943	2-1,8-10
				5820-99-653-0944	2-2,7-6 2-2-5,7-1

NATO Stock No.	Chapter, Page and Item No.	NATO Stock No.	Chapter, Page and Item No.	NATO Stock No.	Chapter, Page and Item No.
5835-99-653-0945	2-1,10-22	5915-99-653-5242	2-1-1-1, 9-13	5961-99-656-5160	2-1-4, 17-57
6625-99-653-2095	2-1,10-31	5330-99-653-5243	2-1-1-1, 10-20	5355-99-656-5669	2-1-5,8-11
5820-99-653-2118	2-1-1-1, 8-8	9905-99-653-5244	2-1-1-1, 7-4	5820-99-658-0240	2-1-2,7-5
	2-1-1-1-1 9-1	5820-99-653-5943	2-1-10, 2-1-9,	5820-99-658-0241	2-1-3-1-2, 7-3
	2-1-1-1-2 9-1	5820-99-653-6795	2-2-1, 13-44		2-1-3-1-2- 2,9-1
5820-99-653-2119	2-1-1-1, 8-9	5930-99-653-7081	2-1,8-8		2-1-3-1-2, 7-2
5820-99-653-2719	2-1-9,5-2	5820-99-656-0309	2-1-3,7-1		2-1-3-1-2- 1,9-1
5820-99-653-5097	2-1-1-1-2, 13-20	5820-99-656-0310	2-1,8-9	5995-99-658-0242	2-1-3-1-2, 9-18
5820-99-653-5098	2-1-1-1-2, 13-29	5305-99-656-1204	2-1-4,9-1	5340-99-658-0243	2-1-3-1-2, 10-23
	2-1-3-1-2- 2,11-16	5820-99-656-1818	2-1-3,8-15	5340-99-658-0244	2-1-3-1-2, 9-15
5820-99-653-5099	2-1-1-1-1, 14-35	5820-99-656-1819	2-1-1, 11-32	5820-99-658-0245	2-1-3-1-2, 8-11
	2-1-1-1-2, 13-31	5340-99-656-2244	2-1-1-1, 7-1	5340-99-658-0246	2-1-4, 18-68
	2-1-3-1-2- 1,13-29	5965-99-656-2695	2-2-2,7-2	5961-99-658-0247	2-1-4, 16-54
	2-1-3-1-2- 2,12-25	5965-99-656-2696	2-1-2,9-22	5820-99-658-0248	2-2-3, 11-20
5820-99-653-5100	2-1-1-1-1 13-25	5820-99-656-2697	2-1-2,7-6	5820-99-658-0249	2-1-4-1, 9-23
	2-1-3-1-2- 1,13-30	5820-99-656-2699	2-1-2,8-13	5905-99-658-1162	2-1-1-1-1, 15-38
5820-99-653-5101	2-1-1-1-1, 11-16	5820-99-656-2700	2-1-4 15-44	5935-99-658-1165	2-2,8-12
	2-1-1-1-2, 11-16	5820-99-656-2702	2-1-4 12-27	5820-99-658-1167	2-1-1-1, 11-29
	2-1-3-1-2- 1,10-12	5340-99-656-2703	2-1-3, 12-43	5820-99-658-1168	2-1-3,8-14
	2-1-3-1-2- 2,10-12	4730-99-656-3099	2-1-3 11-35	5820-99-658-1169	2-1-4-1,8-10
5820-99-653-5102	2-1-1-1-1, 13-26	5340-99-656-3104	2-1-3,8-10	5820-99-658-1170	2-1-3,10-28
9905-99-653-5237	2-1-1-1, 7-5	5820-99-656-3205	2-2-3,16-66	5820-99-658-1170	2-1-4,18-67
9905-99-653-5238	2-1-1, 10-23	5995-99-656-3206	2-1-4 18-62	5820-99-658-1322	2-1-1-1-1, 10-6
5820-99-653-5239	2-1-4, 12-24	5820-99-656-3219	2-1-3-1, 7-5		2-1-1-1-2, 10-6
	2-2-3 13-35	5305-99-656-3220	2-1-3-1-2, 7-1		2-1-3-1-2- 1,9-2
5340-99-653-5240	2-1-1,7-6	5950-99-656-3882	2-1-1-1, 11-27		2-1-3-1-2- 2-9-2
5985-99-653-5241	2-1-1-1 10-25	5985-99-656-4881	2-1-3,2-20	6140-99-658-1375	2-1-4, 13-31
	2-1-3,9-18	5820-99-656-4885	2-1-5,9-20		2-1-1,8-11
		5820-99-656-4886	2-1-5-1, 6-13		2-2-3, 11-24
			2-1,8-11		2-2-7, 7/8-3
			2-1-1-1-1, 11-17		
			2-1-1-1-2, 12-22		

RADIO STATION UK PSC540 (Short Range Communication and Recording Equipment)

NATO Stock No.	Chapter, Page and Item No.	NATO Stock No.	Chapter, Page and Item No.	NATO Stock No.	Chapter, Page and Item No.
5935-99-658-1392	2-2-7, 7/8-2		2-1-1-1-2, 11-17	9905-99-658-4762	2-1-8,7-4
5935-99-658-1393	2-1-1-1 10-21		2-1-3-1-2- 1,10-13	9905-99-658-4763	2-1-8,7-3
5820-99-658-1934	2-1-4, 18-67		2-1-3-1-2- 2,10-13	5330-99-658-4764	2-1-8-1, 5-3
	2-1-4-1, 8-11	5820-99-658-3901	2-1-1-1-1, 14-34	5935-99-658-4768	2-1-4-1, 8-12
9905-99-658-3173	2-2-3,9-5	5910-99-658-3902	2-1-1-1-1. 15-40		2-1-6, 7/8-2
5340-99-658-3174	2-2-3 14-43		2-1-1-1-2, 14-36	5810-99-658-4789	2-2-8, 7/8-2
			2-1-3-1-2- 1,14-36	5910-99-658-4790	2-1-5,9-16
5305-99-658-3176	2-1-4, 15-45		2-1-3-1-2- 2,13-31		2-1-5,9-17
5935-99-658-3177	2-2-9, 7/8-3	5820-99-658-3903	2-1-1-1-1, 12-24	5330-99-658-4791	2-1-5-2, 9-29
5935-99-658-3178	2-2-9, 7/8-2		2-1-3-1-2- 1,11-18	5310-99-658-5163	2-1-3,11-36
5935-99-658-3179	2-1-6, 7/8-3	5970-99-658-3904	2-1-1-1-1, 12-21	5935-99-658-5169	2-1-4,15-46
	2-2-8, 7/8-3		2-1-1-1-2, 11-20	5365-99-658-5451	2-2-3,16-60
5935-99-658-3180	2-1-7, 7/8-2	5820-99-658-4446	2-1-1, 11-38	5340-99-658-5432	2-1-3,7-6
5905-99-658-3182	2-2-3, 15-55	5365-99-658-4585	2-1-3,7-4	5820-99-658-5453	2-1-3,7-5
5820-99-658-3183	2-1-1,7-5	5940-99-658-4586	2-1-4, 16-53		2-1-3-1-1, 7-4
5340-99-658-3184	2-1-4 10-11	5340-99-658-4587	2-2-3,9-2	5940-99-659-0930	2-1-5-2, 8-19
5820-99-658-3553	2-1-3-1-2- 1,11-16	5340-99-658-4588	2-1-1, 10-24	5820-99-661-3475	2-1-1-1-2, 12-26
5315-99-658-3742	2-1-1, 10-25		2-1-4, 12-25	5965-99-661-6093	2-1,9-16
	2-1-4, 12-26	9905-99-658-4589	2-2-3, 13-36	5995-99-663-0697	2-1-3-1-1, 9-20
	2-2-3, 13-37	5355-99-658-4590	2-1-5,7-2	5820-99-663-0701	2-2-3, 10-16
9905-99-658-3743	2-1-4-1, 7-3	9905-99-658-4591	2-2-4,7-5	5995-99-663-0702	2-2-3,16-65
		5940-99-658-4592	2-2-5,8-11	5820-99-663-0703	2-1-3-1-1, 9-21
5310-99-658-3899	2-1-1-1-1, 10-13	5340-99-658-4592	2-2-3, 16-64	5820-99-663-0704	2-1-4 11-14
	2-1-1-1-2, 10-13	5340-99-658-4594	2-1-4, 18-69	5340-99-663-0716	2-1-4,11-16
	2-1-3-1-2- 1,10-9	9905-99-658-4755	2-1-4, 19-70	5935-99-663-0720	2-2-3,10-18
	2-1-3-1-2- 2,10-9	9905-99-658-4756	2-1-4,9-2	5820-99-663-0721	2-2-1,12-37
9330-99-658-3900	2-1-1-1-1, 11-18	9905-99-658-4757	2-1-8,8-7		2-1-4,15-47
		9905-99-658-4758	2-2-4,8-14		2-1-4-1, 7-1
		9905-99-658-4759	2-2-1,8-11		2-1-2,7-8
		9905-99-658-4760	2-1-8,8-6		2-1-5, 9-19
		9905-99-658-4761	2-1-8,7-5	5710-99-732-9851	2-1-5-1, 7-19
			2-1-8,8-8		

AMDT NO. 5

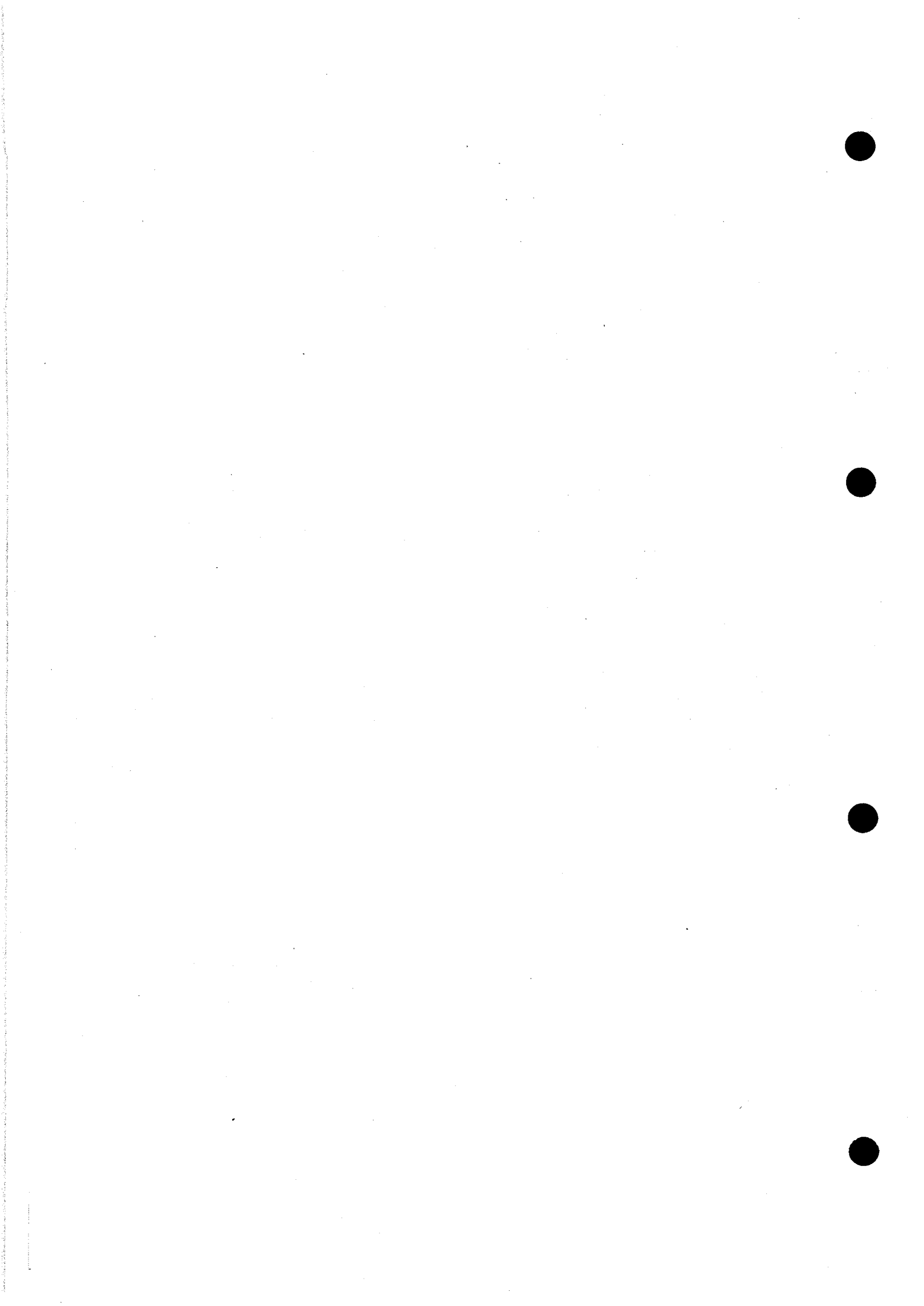
AMDT NO. 5

NATO Stock No.	Chapter, Page and Item No.	NATO Stock No.	Chapter, Page and Item No.	NATO Stock No.	Chapter, Page and Item No.
5330-99-717-9054	2-1-3,9-19	5820-99-769-1396	2-1-5-1,	5940-99-913-8096	2-2-1,11-
5320-99-719-2803	2-2-1,13-		5-1		30
	49		2-1,9-18	5340-99-932-5186	2-1-4,17-
8145-99-746-0843	2-1,7-3	5985-99-773-7491	2-2,8-12		58
	2-1-8-1,	5995-99-773-7492	2-2,8-7	5340-99-932-5187	2-1-5,8-9
	5-1		2-2-6,	5999-99-940-0859	2-2-10,
5910-99-748-9577	2-1-5-1,		7/8-1		7/8-3
	7/8-21	5820-99-774-2981	2-1,10-23	5325-99-942-3406	2-1-4,14-
5962-99-757-1338	2-1-5-2,	5835-99-783-4284	2-1,9-19		41
	8-12		2-1-5-2,		2-2-3,14-
5340-99-758-4894	2-1-4,		7-1		46
	19-72	5820-99-785-0001	2-1-5-2,	5325-99-942-3409	2-1-4,19-
5820-99-764-2232	2-2-5,		7-2		71
	8-15	5820-99-785-0002	2-1-5-2,	5325-99-942-3415	2-1-3-1,
5820-99-764-2233	2-2-5,8-13		7-3		7-7
5820-99-764-2234	2-2-5,8-14	5820-99-785-0003	2-1-5-2,	5325-99-943-0916	2-1-4,12-
9905-99-764-7785	2-1-8-1,		7-5		21
	5-4	5820-99-785-0004	2-1-5-2,		2-2-3,13-
9905-99-764-7786	2-1-8-1,		7-6		40
	5-5	5820-99-785-0005	2-1-5-2,	5310-99-943-6075	2-2-1,
9905-99-764-7787	2-1-8-1,		7-7		11-32
	5-6	5820-99-785-0006	2-1-5-2,	5340-99-943-6899	2-1-3-1,
7690-99-764-9007	2-1-5-1,		7-10		8-8
	5-2	5961-99-785-0008	2-1-5-2,	5325-99-956-8658	2-1-4,11-
5940-99-764-9008	2-1-5-1,		8-13		19
	5-4	9905-99-785-0009	2-1-5-2,		2-2-3,11-
9330-99-764-9009	2-1-5-1,		7-8		22
	6-12	5961-99-785-5071	2-1-5-2,	5820-99-966-0615	2-0,7/8-2
5310-99-764-9010	2-1-5-1,		8-14		2-1,7-1
	6-14	9905-99-786-7028	2-1-3,7-2	5820-99-966-0616	2-0,7/8-3
5310-99-764-9011	2-1-5-1,	5820-99-787-0278	2-1,10-24		2-2,7-1
	5-6	5910-99-787-4655	2-1-5-2,	5935-99-972-6831	2-1-3-1,
7690-99-764-9012	2-1-1,		9-28		8-10
	12-51	6145-99-787-9969	2-1-5-2,	5935-99-972-6832	2-1-3,11-
7690-99-764-9013	2-1-1,		9-23		38
	12-50	5330-99-817-0523	2-1-2,8-12	5305-99-977-2595	2-1-1,8-7
7690-99-764-9014	2-1-1,	5330-99-832-5183	2-1-1,12-		
	12-49		40		
5310-99-764-9015	2-1-1,	5965-99-901-4229	2-2-3,14-4		
	11-35	5940-99-901-7275	2-1-2,8-15		
5330-99-764-9016	2-1-1,		2-1-3-1-1,		
	11-36		8-13		
5910-99-767-9549	2-1-5-1,	6135-99-910-1132	2-1,9-21		
	6-20				
5910-99-767-9550	2-1-5-1,				
	6-21				

Chapter 4

INDEX OF PART NUMBERS/DRAWING NUMBERS

CHAPTER 4



Chapter 4

RADIO STATION UK PSC540 (Short Range Communication and Recording Equipment)

Part No./ Drawing No.	Chapter, Page and Item No.	Part No./ Drawing No.	Chapter, Page and Item No.
02	2-1-3, 11 32		2-1-3-1-2-1, 13-26
	2-1-4, 16-52		2-1-3-1-2-2, 12-23
	2-2-1, 12-41		2-1-3-1-2-1, 12-25
	2-2-3, 15-57	10.2691-00	2-1-1-1-2, 12-22
05-0599-10-7PE	2-1-3, 12-42		2-1-3-1-2-2, 11-18
05-1505-10-7SE	2-1-4, 9-4	10.2692-00	2-1-1-1-1, 12-23
05-1625-10	2-1-2, 7-4		2-1-3-1-2-1, 12-20
	2-1-4, 9-5	10.2694-00	2-1-1-1-2, 12-21
	2-2-1, 7-6		2-1-3-1-2-2, 11-17
	2-1-4, 10-6	10.2699-00	2-1-3-1-2-1, 11-17
05-1625-8	2-2-1, 7-7		2-1-1-1-1, 13-27
	2-2-3, 10-15	10.2700-00	2-1-3-1-2-1, 12-21
	2-1-4, 10-6		2-1-1-1-1, 13-28
10.1303C00	2-1-1-1, 9-16	10.2701-00	2-1-3-1-2-1, 12-22
10.1305C00	2-1, 7-3		2-1-1-1-1, 13-29
10.1306C00	2-1-1, 7-2	10.2702-00	2-1-3-1-2-1, 12-23
10.1307C00	2-1-1, 11-32		2-1-1-1-1, 13-30
	2-1-1-1, 7-1	10.2703-00	2-1-3-1-2-1, 13-27
10.1339C00	2-1-1-1 8-8		2-1-1-1-1, 14-32
10.1340C00	2-1-1-1, 8-9	10.2704-00	2-1-3-1-2-1, 12-24
	2-1-1-1-2, 9-1		2-1-1-1-1, 11-16
10.1341C00	2-1-1-1, 9-13	10.2705-00	2-1-1-1-2, 11-16
10.1349C00	2-2-3, 12-27		2-1-3-1-2-1, 10-12
	2-1-1, 9-16	10.2710-00	2-1-3-1-2-2, 10-12
	2-1-4, 13-34		2-1-1-1-2, 12-24
10.1350C00	2-1-1, 8-11	10.2808-00	2-1-3-1-2-2, 11-20
	2-1-4, 13-31		2-1, 8-13
	2-2-3, 11-24	10.2840-00	2-1-3-1-2-1, 13-28
10.1399C00	2-1-1-1-1, 9-1		
10.2184C00	2-1, 9-23	10.3417-00	
10.2685-00	2-1-1-1-2, 12-25		
	2-1-3-1-2-2, 12-21		
10.2686-00	2-1-1-1-2, 12-23		
	2-1-3-1-2-2, 11-19		
10.2687-01	2-1-1-1-2, 12-26		
	2-1-3-1-2-2, 12-22		
10.2688-00	2-1-1-1-1, 12-22		
	2-1-3-1-2-1, 11-19		
10.2689-01	2-1-1-1-2, 13-28		
	2-1-3-1-2-2, 12-24		
10.2690-00	2-1-1-1-1, 14-31		
	2-1-1-1-2, 13-27		

Part No./ Drawing No.	Chapter, Page and Item No.	Part No./ Drawing No.	Chapter, Page and Item No.
10.3479-00	2-1-1-1-1,12-19	11.2383C00	2-1-1-1,8-6
	2-1-3-1-2-1,11-14	11.2395C00	2-1-1,10-24
	2-1-9,5-1		2-1-4,12-24
10.3479-431.Red	2-1-9,5-2	11.2396C00	2-2-3,13-35
10.3479-431.Yellow	2-1-9,5-3	11.2397C00	2-1-1,11-30
10.3479-431.Blue	2-1-9,5-4	12.0179C00	2-1-1,10-27
10.3479-445.Red 1	2-1-9,5-5	12.0180C00	2-1-1-1,11-32
10.3479-445.Yellow 1	2-1-9,5-6	12.0181C00	2-1-1,12-40
10.3479-445.Blue 1	2-1-9,5-7	12.0261-00	2-1-1,7-4
10.3479-449.Red 2	2-1-9,5-8		2-1-1-1-1,12-20
10.3479-449.Yellow 2	2-1-9,5-9		2-1-1-1-2,11-19
10.3479-449.Blue 2	2-1-9,6-10		2-1-3-1-2-1,11-15
10.3480-00	2-1-10,5-1		2-1-3-1-2-2,11-15
	2-1-1-1-2,11-18	136LPWHITE	2-2-3,16-64
	2-1-3-1-2-2,10-14	15.0280-00	2-1-1-1-2,13-29
10.3480-431.Red 1	2-1-10,5-2		2-1-3-1-2-2,11-16
10.3480-431.Yellow 1	2-1-10,5-3	15.0337-00	2-1-1-1-2,13-30
10.3480-431.Blue 1	2-1-10,5-4	15.0388-00	2-1-1-1-1,13-26
10.3480-445.Red	2-1-10,5-5	15.0339-00	2-1-3-1-2-1,11-16
10.3480-445.Yellow	2-1-10,5-6	15.0346-02	2-1-3-1-2,8-11
10.3480-445.Blue	2-1-10,5-7	170-012	2-1-5-2,8-13
10.3480-449.Red	2-1-10,5-8	170-019	2-1-5-2,8-14
10.3480-449.Yellow	2-1-10,5-9	185.5023-00	2-1-1-1-1,11-18
10.3480-449.Blue	2-1-10,6-10		2-1-1-1-2,11-17
10.3505-00	2-1-1-1-1,11-17		2-1-3-1-2-1,10-13
10.3615-00	2-1-1-1-1,10-6		2-1-3-1-2-2,10-13
	2-1-1-1-2,10-6		2-1-3-1-2,9-18
	2-1-3-1-2-1,9-2	18.0899-01	2-1-1-1-1,10-8
10.3647-01	2-1-3-1-2-2,9-2	191.5008-00	2-1-1-1-2,10-8
	2-1-3-1-2,7-3		2-1-3-1-2-1,9-4
	2-1-3-1-2-2,9-1	19.7246C00	2-1-3-1-2-2,9-4
10.3659-00	2-1-3-1-2,7-2	19.7247C00	2-1-1-1-2,9-2
10.3659-00	2-1-3-1-2-1,9-1	IN5821	2-1-1-1-1,9-2
10.3660-01	2-1-3-1-2,9-16	20011-01408	2-1-4,17-57
10.4275-00	2-1-1-1-1,12-24	20022-02004	2-1-5,8-11
	2-1-3-1-2-1,11-18		2-1-1-1,11-27
11.1138-00	2-1-1-1-1,10-7		2-1-3,9-20
	2-1-1-1-2,10-7		2-1-1-1-1,10-11
	2-1-3-1-2-1,9-3		2-1-1-1-1,10-9
11.1144-01	2-1-3-1-2-2,9-3		2-1-1-1-2,10-11
	2-1-1-1-1,13-25		2-1-1-1-2,10-9
	2-1-3-1-2-1,13-30		2-1-3-1-2-1,9-5
11.1144-05	2-1-1-1-1,14-35		
	2-1-1-1-2,13-31		
	2-1-3-1-2-1,13-29		
	2-1-3-1-2-2,12-25		

RADIO STATION UK PSC540 (Short Range Communication and Recording Equipment)

Part No./ Drawing No.	Chapter, Page and Item No.	Part No./ Drawing No.	Chapter, Page and Item No.
20022-02004	2-1-3-1-2-1,9-7	24.0138C00	2-1-1,10-23
	2-1-3-1-2-2,9-5		2-2-3,13-34
	2-1-3-1-2-2,9-7	24.0139C00	2-1-1,10-24
20022-02506	2-1-3-1-2,8-12	26446	2-2-3,15-53
20022-02508	2-1-3-1-2,9-20	26447	2-2-1,2-2-3,
20052-02004	2-1-3-1-2,9-17		13-42 15-54
20052-02508	2-1-3-1-2,7-4	28.0185C00	2-1-1,11-33
	2-1-3-1-2,8-13	28.0189C00	2-1-1-1,9-14
	2-1-3-1-2,9-21	28.0192C00	2-1-1-1,10-23
200-037-4470	2-1-2,7-8	28.0197C00	2-1-1-1,8-10
200-164-4450	2-1-1-1,10-20	28.0199C00	2-1-1-1,9-17
201035	2-1-5-2 8-19	28.0201C00	2-1-1,8-13
202-510-4450	2-1-1-1,10-24	28.0202C00	2-1-1,10-28
	2-1-3,11-34		2-1-1,9-17
	2-1-4-1,7-9		2-2-3,12-28
	2-2-3,10-12	28.0202C-00	2-1-1-1,11-30
202-521-4450	2-1-1-1,11-26	28.0204C00	2-1-1,12-38
202A111-3	2-1-7,7/8-2	28.0217C00	2-1-1-1,8-7
2202-020040	2-1-1-1-1,11-15	28.0221C00	2-1-1,11-32
	2-1-1-1-2,11-15	28.0226C00	2-1-1,8-7
2202-023045	2-1-3-1-2-1,	28.0256C-00	2-1-1,12-39
	10-11	29.0224C00	2-1-1,10-25
	2-1-3-1-2-2,		2-1-4,12-26
	10-11		2-2-3,13-37
2301-025050	2-1-3-1-2,7-6	29.0234C00	2-1-1-1,8-12
2401-050220	2-1-1-1-1,10-13		2-1-1-1,9-19
	2-1-1-1-2,10-13	29.0235C00	2-1-1,9-20
	2-1-3-1-2-1,	31.0627-00	2-1-3-1-2,10-23
	10-9	31.0632-00	2-1-3-1-2,9-15
	2-1-3-1-2-2,	31-2BA	2-1-1,8-15
	10-9		2-1-3-1-1,8-13
2450-030015	2-1-1-1,11-28	32-4BA	2-2-1,10-20
	2-1-3,9-21	32.0285C00	2-1-1,12-39
2450-045022	2-1-1-1,9-15	32.0140C00	2-1-1,12-37
	2-1-1-1-1,10-12	32.0420C00	2-1-1,11-38
	2-1-1-1-2,10-12	32.0421C00	2-1-1,11-35
	2-1-3-1-2-1,	32.0422C00	2-1-1-1,10-24
	10-8	32.0424C00	2-1-1-1,11-26
	2-1-3-1-2-2,	32.0430C00	2-1-1,7-5
	10-8	32.0536-00	2-1-1-1-1,12-21
2450-048027	2-1-1-1,8-11		2-1-1-1-2,11-20
	2-1-1-1,9-18	33.0287C00	2-1-1,10-22
	2-1-3-1-2,10-22		2-1-4,14-40
	2-1-3-1-2,7-5		2-2-3,12-33
	2-1-3-1-2,9-14	34.5015-00	2-1-3-1-2,7-7
2450-060032	2-1-1,10-28	34.5032-00	2-1-1-1-1,11-14
	2-1-1,8-14		2-1-1-1-2,11-14
	2-1-1,9-18		2-1-3-1-2-1,
	2-1-1-1,11-31		10-10
	2-1-4,14-37		2-1-3-1-2-2,
	2-2-3,12-30		10-10

Part No./ Drawing No.	Chapter, Page and Item No.	Part No./ Drawing No.	Chapter, Page and Item No.
36.0116-00	2-1-1,9-21	51.0900C00	2-1-1,12-41
	2-1-4,14-39	51.0906C	2-1-1,12-42
	2-2-3,12-32	51.0907C00	2-1-1,13-44
37.0094C00	2-1-1,7-6	51.0908C00	2-1-1,13-46
37.0095C00	2-1-1,8-10	51.0909C	2-1-1,12-43
37.0096C00	2-1-1,8-8	51.0910C00	2-1-1,13-45
37.0097C00	2-1-1,11-30	51.0911C00	2-1-1,13-47
37.0098C00	2-1-1,8-9	51.1066-23	2-1-3-1-2,8-10
3-75-2B	2-1-2,7-5	53-10-2-IIAI-8X1-1-2	2-1-2,8-14
400-002-4490-02	2-1-2,8-12	53-13-1A1-8	2-1-4,14-41
400-301-4490-02	2-1-1,12-40		2-1-4,19-71
41.0215-00	2-1-7/8-4		2-2-3,14-46
	2-2-6,7/8-2	53-15-1A1-4	2-1-5,8-9
41.5082-00	2-1-3-1-2,9-19	53-15-1A1-8	2-1-3-1,8-8
41.5163-00	2-1-1-1-1,10-10	53-15-1A3-16	2-1-4,17-58
	2-1-1-1-2,10-10	59-14-1-500MA	2-1-4-1,7-4
	2-1-3-1-2-1,9-6		2-2-3,10-10
	2-1-3-1-2-2,9-6	59-14-2-2A	2-2-1,7-2
41.5593C00	2-1-1,12-36	59-35-1-3-1-7PE	2-2-1-12-39
41.5594C00	2-1-1-1,11-29	59-3-2-11-16	2-2-3,15-56
41.5607C00	2-1-1-1,10-21	59-42-5-8	2-1-5,8-12
41.5612C00	2-1-1-1,10-25	59-5-1-2	2-2-10,7/8-3
	2-1-3,9-18	59-61-90-185PSL8RED	2-2-1,13-45
44-2-4DS6M	2-1-3,12-44	613-2008	2-2-4,7-7
4500-137-8UNC1-21NCG	2-1-1,8-7	61-12-4-7-2-4C	2-1-6,7/8-6
47.5296C-00	2-1-1-1,10-22		2-2-8,7-6
478-396	2-1-6,7/8-2		2-2-9,7/8-5
	2-2-8,7-2	61-12-5-16-2-6C	2-2-7,7-5
481.075	2-1-8,8-9	61-12-6-3-24-0.20BK	2-2-10,7/8-5
4M6X10D1N7	2-1-3,10-27	61-12-6-3-24-0.20RD	2-2-10,7/8-4
50FP/156	2-1-5-2,8-15	62GB16E14-19S	2-1-4,18-66
5133-12	2-1-1,9-22	62GB16F8-4P044	2-1-6,7/8-3
	2-1-4,12-23		2-2-8,7-3
	2-2-3,13-34	62GB16F8-4PW044	2-2-9,7/8-2
5133X18	2-1-1,10-24	62FB16F8-4SW044	2-2-9,7/8-3
	2-1-4,12-25		2-1-2,9-17
	2-2-3,13-36	62GB5016-10-7SF	2-1-4,18-63
51-0872C00	2-1-1,8-10		2-2-1,13-43
51.0212C01	2-1-1-1,7-4	62GB5024-08-4SW	2-2-1,12-37
51.0365C00	2-1-1-1,7-3	62GB57A14-19P	2-1-4-1,8-17
	2-1-1-1-1,9-3	62GB57A8-4S	2-1-4,18-64
	2-1-1-1-2,9-3		2-2-1,12-38
	2-1-3-1-2,8-8	62GB57A8-4PW	2-2-3,16-60
51.0388C00	2-1-1-1,7-2	62GB57A8-4SW	2-1-4,18-65
51.0796-00	2-1-1-1-1,9-5	673-201X75MM	2-2-4,7-8
	2-1-1-1-2,9-5	68.0171-00	2-1-1-1-1,14-34
51.0837C00	2-1-1,7-3	68.0172-00	2-1-1-1-1,14-33
51.0856C00	2-1-1-1,7-5	73.5135-00	2-1-3-1-2-2,
51.0898-00	2-1-1-1-1,9-4		13-30
	2-1-1-1-2,9-4		
	2-1-3-1-2,8-9		

RADIO STATION UK PSC540 (Short Range Communication and Recording Equipment)

Part No./ Drawing No.	Chapter, Page and Item No.	Part No./ Drawing No.	Chapter, Page and Item No.
7462-2-100	2-1-3-1, 7-5	7462-8-51	2-1-1, 13-50
	2-1-3-1-2, 7-1	7462-8-52	2-1-1, 13-49
7462-2-10	2-1-1-1, 10-25	7462-8-53	2-1-1, 11-36
	2-1-3, 9-18	74.5275-00	2-1-1-1-1, 15-40
7462-2-1	2-1, 7-3		2-1-1-1-2, 14-36
	2-1-1, 7-1		2-1-3-1-2-2,
7462-2-2	2-1-1, 11-33		13-31
	2-1-1-1, 7-1		2-1-3-1-2-1,
7462-2-3	2-1-1, 7-2		14-36
7462-2-4	2-1-1-1, 8-8	80.5046.00	2-1-1-1-1, 15-39
	2-1-1-1-1, 9-1	80.5055-00	2-1-1-1-1, 15-38
7462-2-5	2-1-1-1, 8-9	80.5057-00	2-1-3-1-2-1,
	2-1-1-1-2, 9-1		13-32
7462-2-6	2-1-1-1, 9-13	80.5058-00	2-1-1-1-2, 14-34
7462-2-7	2-1-1, 11-37		2-1-3-1-2-2,
7462-2-8	2-1-1-1, 10-21		13-28
7462-2-9	2-1-1, 8-12	80.5060-00	2-1-1-1-1, 15-37
	2-1-4, 13-31		2-1-3-1-2-1,
	2-2-3, 11-24		14-34
7462-6-1	2-1-1-1, 9-15	80.5081-00	2-1-1-1-2, 14-33
7462-6-2	2-1-1, 9-16		2-1-3-1-2-2,
	2-1-4, 13-34		13-27
	2-2-3, 13-27	80.5223-00	2-1-3-1-2-1,
7462-7-1	2-1-1-1-2, 9-2		14-35
7462-7-2	2-1-1-1-1, 9-2	811T30V0.1uF	2-1-5, 9-18
7462-8-1	2-1-1-1, 11-32	81232050-0104-0M25U0	2-2-1, 11-28
7462-8-2	2-1-1-1, 8-6	8866K4SX	2-1-1-1, 10-22
7462-8-3	2-1-1-1, 7-5		2-1, 8-10
7462-8-5	2-1-1, 9-21	90.0303-01	2-1-1-1-1, 15-41
	2-1-4, 14-40		2-1, 8-11
	2-2-3, 12-33	92.5112-00	2-1-1-1-2, 13-32
7462-8-6	2-1-1, 10-26		2-1-3-1-2-1,
7462-8-7	2-1-1, 10-24		13-32
	2-1-4, 12-24		2-1-3-1-2-2,
	2-2-3, 13-35		12-26
7462-8-8	2-1-1, 12-41	316-421-191	2-1-1, 8-9
7462-8-9	2-1-1, 7-4	326-100-040	2-1-1, 8-8
7462-8-10	2-1-1, 10-25	336-200-190	2-1-1, 10-29
	2-1-4, 12-26	AO-6780	2-1, 9-22
	2-2-3, 13-37	AO-6790	2-1, 8-10
7462-8-13	2-1-1, 7-6	AO-6800	2-1, 7-5
7462-8-14	2-1-1, 11-30	AO-7853	2-1, 10-23
7462-8-16	2-1-1, 12-37	A1M2137	2-2-1, 9-17
7462-8-17	2-1-1, 11-33	A1M2168	2-2-1, 9-16
7462-8-18	2-1-1, 11-34	A2M21134	2-2-1, 8-13
7462-8-20	2-1-1-1, 11-29	A2M2138	2-1-3-1-1, 8-10
7462-8-32	2-1-1, 8-11	A4M21104	2-2-1, 8-10
7462-8-36	2-1-1, 7-3	AA801A	2-1-1-1-2, 12-26
7462-8-37	2-1-1, 12-41		2-1-3-1-2-2,
7462-8-40	2-1-1, 13-51		12-22
7462-8-48	2-1-1-1, 10-20		
7462-8-50	2-1-1, 11-35		

Part No./ Drawing No.	Chapter, Page and Item No.	Part No./ Drawing No.	Chapter, Page and Item No.
AA802	2-1-1-1-1, 12-22	BS3858-3-5MMPK	2-2-7, 7-4
	2-1-3-1-2-1, 11-19	BS4183-2MMX8MM	2-1-1-1, 9-14
AD46R	2-2-2, 7-3	BS4183-2.5MM	2-1-1-1, 8-12
AD801	2-1-3-1-2-1, 12-25	BS4183-2.5MMX12MM	2-1-1-1, 9-19
AK44	2-1-4, 11-17	BS4183-2.5MMX6MM	2-1-1-1, 9-17
	2-2-3, 10-17	BS4183-2.5MMX8MM	2-1-1-1, 8-7
	2-2-3, 11-19	BS4183-2MMX6MM	2-1-1-1, 8-10
	2-2-3, 13-39	BS4183-3MM	2-1-1-1, 9-14
AK616	2-2-1, 13-49	BS4183-3MM10MM	2-1-5-2, 8-17
AN862	2-1, 8-10		2-1-5, 7-6
AN862A	2-1, 8-11	BS4183-3MMX12MM	2-2-3, 16-62
BF861A	2-1-3-1-2, 9-16	BS4183-3MMX16MM	2-1-1, 12-38
BF862-7462	2-1-1-1, 9-13		2-1-4, 17-55
BJR4-35	2-2-3, 11-21	BS4183-3MMX6MM	2-1-5-1, 5-8
BJR4-40	2-1-4, 11-18		2-1-3-1, 8-11
BP861	2-1-1-1-1, 13-30		2-1-4, 10-9
	2-1-3-1-2-1, 13-27		2-1-4-1, 9-21
BS1210-4X3-8	2-1-8, 8-10		2-2-1, 10-22
BS1574-1-8X1-1-2	2-1-2, 8-14		2-2-1, 8-9
BS1767-1-8	2-1-4, 19-71		2-2-1, 9-18
BS1804-2-4MMX10MM	2-1-3, 10-27		2-2-2, 7-7
BS18060S263	2-1-3, 9-17		2-2-2, 8-11
BS1806-008	2-1-1, 8-8	BS4183-3MMX8MM	2-2-2, 8-9
BS2316-3URM43	2-1-7, 7/8-6		2-1-1, 8-12
BS2752C40	2-1-4, 12-20		2-1-5-2, 8-16
	2-2-3, 11-23		2-1-1, 10-27
BS4301-0.095	2-2-1, 11-32		2-1-1, 10-31
BS3692-3MM	2-1-1, 9-19		2-1-1, 9-16
	2-1-4, 13-30		2-1-1-1, 11-30
	2-1-4, 14-38		2-1-3, 10-29
	2-1-4, 17-61		2-1-3, 11-39
	2-1-5, 8-10		2-1-3-1-1, 7-5
	2-2-3, 12-31		2-1-3-1-1, 8-11
	2-1-5-1, 5-9		2-1-4, 10-8
BS3692-4MM	2-1-2, 8-16		2-1-4, 11-15
	2-1-3, 10-26		2-1-4, 13-28
	2-1-3-1-1, 9-16		2-1-4, 14-35
	2-2-4, 8-13	BS4183-4MM	2-1-4, 17-59
	2-2-5, 8-9	BS4183-4MMX10MM	2-2-3, 10-14
	2-2-5, 8-16		2-2-3, 12-28
BS3692-5MM	2-1-6, 7/8-4		2-1-2, 8-11
BS3858-2-1.5MMPK	2-2-8, 7-4		2-1-4, 16-50
	2-2-10, 7/8-8		2-1-3, 7-7
BS3858-3-1.5MMPK	2-2-10, 7/8-7		2-1-3, 8-11
BS3959-3-2MMPK	2-1-6, 7/8-5		2-1-3, 8-12
BS3858-3-3MMPK	2-1-7, 7/8-5		2-1-3-1-1, 9-14
	2-2-10, 7/8-6		2-1-4-1, 8-13
	2-2-6, 7/8-3		2-2-1, 10-24
	2-2-8, 7-5		2-2-1, 12-34
			2-2-1, 9-14
			2-2-3, 14-44
			2-2-3, 9-3

RADIO STATION UK PSC540 (Short Range Communication and Recording Equipment)

Part No./ Drawing No.	Chapter, Page and Item No.	Part No./ Drawing No.	Chapter, Page and Item No.
BS4183-4MMX12MM	2-2-3,15-51		2-2-3,15-52
BS4183-4MMX16MM	2-1-2,8-10		2-2-3,9-4
	2-1-3,9-23		2-2-4,8-11
	2-2-4,8-10		2-2-5,7-7
	2-2-5,7-6	BS4464A5MM	2-1-3,8-16
BS4183-4MMX8MM	2-1-3-1-1,8-8-		2-1-3-1,7-4
	2-1-4,10-12		2-2-5,7-4
	2-1-4,13-32	BS4518-0186-24	2-1-3,9-19
	2-1-4,15-48	BS4518-0081-16	2-1-1-1,10-24
	2-2-3,11-25		2-1-3,11-34
BS4183-5MMX12MM	2-1-3-1,7-3		2-1-4-1,7-9
	2-2-5,7-3		2-2-3,10-12
BS4183-5MMX35MM	2-2-4,7-3	BS4518-0126-24	2-1-3,11-36
BS4320-4MM	2-1-4,16-50	BS4518-0191-16	2-1-1-1,11-26
	2-2-4,8-12	BS4620-3-32X1-4	2-1-4,12-22
	2-2-5,7-8		
BS4320A3MM	2-1-1,9-14		2-2-3-13-41
	2-1-1,9-17	BS57-8BAX3-16	2-2-1,11-31
	2-1-4,14-36	BS9037F002-330nF	2-1-5-2,10-28
	2-1-5,7-7	BS9073F002-10UF	2-1-5,9-19
	2-2-3,12-29		2-1-5-1,7-19
BS4320A4MM	2-1-3,10-25	BS9073F002-1UF	2-2-1,11-29
BS4463-3MM	2-1-3,10-30	BS9075F006C3DAY1000PF	2-1-3-1-1,9-17
	2-1-3,12-40		2-2-3,14-42
	2-1-3-1,8-12		2-2-1,11-27
	2-1-3-1,8-12	BS9075-F0031	2-1-5-1,7-18
	2-1-3-1-1,8-12	BS9075-F0036	2-1-5-1,7-20
	2-1-4,10-10		2-1-5-1,7-21
	2-1-4,13-29		2-1-5-1,7-22
	2-1-4,17-56	BS9075F0122E2-2200PF	2-1-5,9-17
	2-1-4,17-60	BS9075F0122ES-2.2nF	2-1-5-2,10-29
	2-1-4-1,9-22	BS9075FC182E2-1000PF	2-1-5,9-16
	2-1-5,8-8	BS9075F0182E2-470PF	2-1-5,9-15
	2-2-1,9-19	BS9114N0022E56-2.5W120	2-2-1,10-26
	2-2-3,16-63	BS9133N001-100K	2-2-3,15-55
	2-1-5-1,5-11	BS9563F010	2-1-4-1,8-16
BS4463-4MM	2-1-3-1-1,9-15	BS9572F002-551	2-2-3,15-53
	2-1-4,11-13	BS9572F0004-554A	2-2-1,13-42
	2-1-4,13-33		2-2-3,15-54
	2-1-4,16-49	BSCECC40101-019EX22	2-1-5,9-14
	2-2-1,10-25	BSCECC40201-002-120	2-2-1,10-26
	2-2-3,12-26	BSG210/BSM	2-1-5-2,9-23
BS4464-3MM	2-2-2,7-8		2-1-5-2,9-24
	2-2-2,8-12		2-1-5-2,9-25
BS4464-5MM	2-2-4,7-4	BU803	2-1,8-11
BS4464A3MM	2-1-3-1-1,7-6	C113-370085	2-2-2,8-10
BS4464A4MM	2-1-3,10-24	C140-370259	2-1-4,10-11
	2-1-3,7-8	C90	2-1,9-20
	2-1-3,8-13	CA803	2-1-1-1-1,10-6
	2-1-3-1-1,8-9		2-1-1-1-2,10-6
	2-2-1,9-15		2-1-3-1-2-1,9-2
	2-2-3,14-45		2-1-3-1-2-2,9-2

Part No./ Drawing No.	Chapter, Page and Item No.	Part No./ Drawing No.	Chapter, Page and Item No.
CC1301-10-7SE CESD151-29	2-2-1,12-39 2-0,7/8-2 2-1,7-1	DEF STAN 61-12 Pt 6/5	2-1-5-2,8-20 2-1-5-2,8-21 2-1-5-2,8-22
CESD151-30	2-0,7/8-3 2-2,7-1	DLT1000	2-1-3-1-1,9-17 2-2-1,11-27
CESP44968-1	2-0,7/8-3 2-2,7-1	DP1001	2-2-3,14-42 2-2-1,11-32
CESP44969	2-0,7/8-2 2-1,7-1	E1FH781C01 E1FH781S01	2-2-3,7-9 2-2-5,7-5
CF800-7462 CH8014 CH803	2-1-1-1,9-16 2-1-1-1-1-11-17 2-1-3-1-2-1, 10-12	FD861 FD862	2-1-1-1-1,13-27 2-1-3-1-2-1, 12-21 2-1-1-1-1,13-28 2-1-3-1-2-1 12-22
CQP800-7462 CR16-4.7K	2-1,7-3 2-1-3-1-2-1, 13-32	FD863	2-1-1-1-1,13-29 2-1-3-1-2-1, 12-23
CU802 CU805 D100 DEF5221-12	2-1,10-29 2-1,10-30 2-1-5,8-12 2-1-4-1,7-6 2-2-1,7-4 2-2-3,9-8	FN803 FN861	2-1-1-1-1,12-23 2-1-3-1-2-1, 12-20 2-1-1-1-1,14-32 2-1-3-1-2-1, 12-24
DEF5221-1	2-1-4-1,7-5 2-2-1,7-3 2-2-3,9-7	GE15055C60 GP4	2-1-7,7/8-3 2-1-4,11-19 2-2-3,11-22
DEF5221-2	2-1-4-1,7-7 2-2-1,7-5 2-2-3,9-9	GP5 GPX2NDU58FXU430 GR104733	2-1-1,8-9 2-1,10-21 2-1-5,7-5 2-1-5-1,5-5 2-1-5-2,7-11
DEF53-13 DEF5335-11-16	2-1-3-1,7-7 2-1-3,10-31 2-1-4,16-51 2-2-1,12-40	GR123023	2-1-3-1-1,8-7 2-2-1,11-33 2-2-3,16-66 2-2-1,11-30
DEF53-23/2	2-1-5-1,5-7 2-1-5-1,5-8	H38-1757-50 H8005	2-1-1-1-2,12-25 2-1-3-1-2-2, 12-21 2-1-1-1-2,12-24 2-1-3-1-2-2, 11-20
DEF53-31/2 DEF53-17/3 DEF59-30/4 DEF61-12/2	2-1-5-1,6-3 2-1-5-1,6-2 2-1-5-1,7-17 2-1-5-1,6-15 2-1-5-1,7-16	IA801 IA802	2-1-1-1-2,12-23 2-1-3-1-2-2, 11-19 2-2-10,7/8-3 2-1,10-28
DEF61-12/4 DEF64FIG 3	2-1-5-1,6-15 2-1-4-1,8-15 2-2-1,12-35 2-2-3,15-59	IC801	2-1-1-1,7-4 2-1-1-1,7-3 2-1-3-1-2,8-8
DEF64-3FIG3 2.5A	2-1-4-1,8-14 2-2-1,12-36 2-2-3,15-58	ITA31833 ITB229729 JK200-00 JK600-127	
DEF STAN 53-31 Pt 4/2 DEF STAN 59-30 Pt 1	2-1-5-2,8-18 2-1-5-2,9-26 2-1-5-2,9-27		
DEF STAN59-35PT1-3CC1301 -10-2PC	2-2-1,14-53		

RADIO STATION UK PSC540 (Short Range Communication and Recording Equipment)

Part No./ Drawing No.	Chapter, Page and Item No.	Part No./ Drawing No.	Chapter, Page and Item No.
JK600-201 K13148	2-1-1-1, 7-2 2-1-1, 9-21 2-1-4, 14-39 2-2-3, 12-32	PA863 PM861	2-1-3-1-2-1, 13-28 2-1-3-1-2-1, 11-17
K20314	2-1-1-1-1, 9-5 2-1-1-1-2, 9-5	PM862	2-1-3-1-2-1, 11-18
K22686	2-1-1-1-1, 12-20 2-1-1-1-2, 11-19 2-1-3-1-2-1, 11-15 2-1-3-1-2-2, 11-15	PP38-1 PP49B27 PT06E10-2SCSR PT66C10-7PET01 PT66C10-7SET01 PTY126-11-201 R6372-02 R6390-02 RC861	2-1-1-1-1, 12-24 2-1-3, 8-12 2-1-2, 7-8 2-2-10, 7/8-2 2-2-7, 7-3 2-2-7, 7-2 2-1-3, 11-37 2-1-5-1, 6-14 2-1-5-1, 5-6 2-1-1-1-2, 12-21 2-1-3-1-2-2, 11-17
K2436	2-1-3-1-2-2, 11-16	RCL151 RCE/P/56710 RF864-7462	2-2-3, 15-53 2-1, 10 2-1-3-1, 7-5 2-1-3-1-2, 7-1 2-1-5, 9-20 2-1-5-1, 6-13 2-1-3, 9-19 2-1-2, 9-21 2-1-3-1, 8-10 2-1-3, 11-38 2-1-3-1-2, 7-3 2-1-3-1-2-2, 9-1 2-1-1-1, 8-9 2-1-1-1-2, 9-1 2-1-4, 19-71 2-1-4, 12-21 2-2-3, 13-40 2-1, 9-18 2-1-5-1, 5-1 2-2-1, 11-32 2-2, 8-12 2-2-5, 8-12 2-2, 8-7 2-2-6, 7/8-1 2-2-5, 8-15 2-1-5-1, 5-4 2-1-5-1, 5-2 2-2-5, 8-13 2-2-5, 8-14 2-1-5-1, 6-12 2-1-5-1, 5-5
K24397 K24590 K24804	2-1-1-1-1, 14-34 2-1-1-1-1, 14-33 2-1-1-1-1, 10-7 2-1-1-1-2, 10-7 2-1-3-1-2-1, 9-3 2-1-3-1-2-2, 9-3 2-1-3-1-2, 10-23 2-1-3-1-2-1, 11-16	R6372-02 R6390-02 RC861	
K24927 K25097	2-1-3-1-2, 9-15 2-1-3-1-2, 9-18 2-1-3-1-2, 8-11 2-1-1-1-1, 12-21 2-1-1-1-2, 11-20 2-1-1-1-1, 10-10 2-1-5-1-2-1, 9-6 2-1-3-1-2-2, 7-6 2-1-4-1, 8-14 2-2-1, 7-2 2-1-4-1, 7-4 2-2-3, 10-10 2-1-8, 8-9 2-2-1, 13-50 2-1-3-1-1, 9-18 2-1-4, 15-42 2-1-4-1, 8-18 2-2-3, 14-48 2-1-5-2, 8-12 2-2-3, 15-55 2-1-4-1, 8-16 2-1-1, 7-5 2-2-1, 10-21 2-1-3-1, 8-8 2-1-4, 17-58 2-1-5, 8-9 2-1-4, 10-7 2-2-2, 7-6	RFS3 RMO186-24P5 RNF100-1-1-16BLACK RP8 RS8 RX8063 RX8064-7462 S1C3708-150 S4-200 SD/AO/268400PD SD/A1/85205-2 SD/A1/268413PD SD/A2/268345PD SD/A2/268414PD SD/A3/268348PD SD/A3/268402PD SD/A3/268403PD SD/A3/268405PD SD/A3/268406PD SD/A4/268369PD SD/B/235075	
K25110 K25156-1 K25238-2 K26877			
L1465CCS			
L675 L754-2A L754-500MA			
L896-2 LKCTSA			
LM340KC-5-0 MH1-100K MU121964MA2 N60045 NV7328 NXO NX1 NX2 P2-360179			

Part No./ Drawing No.	Chapter, Page and Item No.	Part No./ Drawing No.	Chapter, Page and Item No.
SDO-246495	2-2-4, 7-2	SD1-265517	2-1-1-1, 11-32
SDO-265208	2-2, 7-2	SD1-265525	2-1-1, 7-4
	2-2-1, 7-1	SD2-229882-2	2-1-2, 9-18
SDO-265301	2-2, 7-4	SD2-246471	2-1-4, 11-14
	2-2-3, 9-1	SD2-246480	2-1-3-1-1, 7-4
SDO-265302	2-2, 7-6	SD2-246512	2-1-4-1, 8-10
	2-2-5, 7-1	SD2-246516	2-1-4-1, 9-23
SDO-265321	2-2, 7-5	SD2-246518	2-1-8, 8-7
SDO-265362	2-2, 7-3	SD2-246519	2-1-8, 8-8
	2-2-2, 7-1	SD2-246520	2-1-8, 7-3
SDO-265381	2-1-8, 7-1		2-1-8-1, 5-3
SDO-265474	2-1-4, 15-44	SD2-246537	2-1-4-1, 8-11
SDO-265493	2-1-3, 12-43	SD2-265211	2-2-1, 9-16
SDO-265494	2-1, 8-8	SD2-265218	2-2-1, 8-13
	2-1-3, 7-1	SD2-265232	2-1-3-1-1, 8-10
SDO-265504	2-1, 8-7	SD2-265291	2-1-2, 7-6
	2-1-4, 9-1	SD2-265307	2-2, 8-8
SDO-265510	2-1-1, 11-33		2-2-7, 7-1
	2-1-1-1, 7-1	SD2-265308	2-2-3, 16-61
SDO-265511	2-1-1, 7-2	SD2-265312	2-2-3, 11-20
SDO-265524	2-1-1, 12-41	SD2-265316	2-2-3, 10-16
SDO-265660	2-1-8-1, 5-1	SD2-265338	2-1-4-1, 8-12
SDO-268430 PD	2-1, 9-19	SD2-265350	2-1, 9-17
	2-1-5-2, 7-1		2-1-6, 7/8-1
SDO-268435	2-1, 10-24	SD2-265351	2-2, 8-10
SD1-246463	2-4-1, 18-67		2-2-9, 7/8-1
SD1-246481	2-1-3-1, 7-2	SD2-265352	2-1, 10-27
	2-1-3-1-1, 7-1		2-1-7, 7/8-1
SD1-265209	2-2-1, 14-52	SD2-265354	2-1-5, 7-4
SD1-265210	2-2-1, 9-17	SD2-265373	2-2-2, 7-2
SD1-265254	2-1-4-1, 9-20	SD2-265376	2-2, 8-9
SD1-265280	2-2-1, 13-46		2-2-8, 7-1
SD1-265289	2-1, 7-5	SD2-265377	2-2, 8-11
	2-1-2, 7-1		2-2-10, 7/8-1
SD1-265290	2-1-2, 9-22	SD2-265464	2-1-3, 10-28
SD1-265308	2-2-3, 16-61	SD2-265486	2-1-3-1-1, 9-20
SD1-265310	2-1, 9-17	SD2-265503	2-1-3, 12-41
	2-1-5, 7-1	SD2-265505	2-1-4, 15-47
SD1-265321	2-2-4, 7-1		2-1-4-1, 7-1
SD1-265389	2-2-5, 7-2	SD2-265514	2-1-1-1, 9-15
SD1-265390	2-1-3-1, 7-6	SD2-265518	2-1-1-1, 8-6
SD1-265395	2-1-4, 18-62	SD2-265549	2-1-1, 8-12
SD1-265398	2-1-3, 9-22		2-1-4, 13-31
	2-1-3-1, 7-1	SD2-265555	2-1-1, 9-15
SD1-265451	2-1-3-1-1, 9-21		2-1-4, 13-34
SD1-265462	2-1-3-1, 8-9		2-2-3, 12-27
SD1-265463	2-1-3, 8-14	SD2-265601	2-1-3-1, 7-5
SD1-265497	2-2-3, 16-65		2-1-3-1-2, 7-1
SD1-265509	2-1, 7-3		
	2-1-1, 7-1		
SD1-265516	2-1-1-1, 9-16		

RADIO STATION UK PSC540 (Short Range Communication and Recording Equipment)

Part No./ Drawing No.	Chapter, Page and Item No.	Part No./ Drawing No.	Chapter, Page and Item No.
SD2-268438 PD	2-1-5-2,7-5	SD3-265513	2-1-1-1,8-9
SD2-268448 PD	2-1-5-2,7-2		2-1-1-1-2,9-1
SD3-20107001	2-1-1-1,10-23	SD3-265515	2-1-1,11-37
	2-1-3,11-33	SD3-265519	2-1-1-1,7-5
	2-1-3-1,7-8	SD3-265521	2-1-1,9-21
SD3-235130	2-2-3,10-11		2-1-4,14-40
	2-1-4,10-6		2-2-3,12-33
	2-2-1,7-7	SD3-265522	2-1-1,10-27
	2-2-3,10-15	SD3-265528	2-1-1-1,10-20
SD3-235131	2-1-2,7-4	SD3-265529	2-1-1,7-6
	2-1-4,9-5	SD3-265530	2-1-1,11-30
	2-2-1,7-6	SD3-265532	2-1-1,11-38
SD3-246451	2-1-4,9-2	SD3-265533	2-1-1,11-33
SD3-246452	2-1-4,16-53	SD3-265536	2-1-1-1,11-29
SD3-246462	2-2-1,8-11	SD3-265548	2-1-1-1,10-21
SD3-246469	2-2-3,14-43	SD3-265549	2-2-3,11-24
SD3-246473	2-2-3,9-2	SD3-265553	2-1-1-1-2,9-2
SD3-246476	2-2-3,9-5	SD3-265554	2-1-1-1-1,9-2
SD3-246496	2-2-4,8-14	SD3-265562	2-1-1-1,10-25
SD3-246500	2-1-8,7-4		2-1-3,9-18
SD3-246501	2-1-5,7-2	SD3-265662	2-1-8-1,5-6
SD3-246505	2-2-5,8-11	SD3-265663	2-1-8-1,5-4
SD3-246517	2-1-4-1,7-3	SD3-265664	2-1-8-1,5-5
SD3-246521	2-1-8,7-5	SD3-268437PD	2-1-5-1,7-10
SD3-265212	2-2-1,10-23	SD3-268439PD	2-1-5-2,7-8
SD3-265238	2-1-3,11-35	SD3-268451PD	2-1-5-2,7-3
SD3-265284	2-2-1,13-48	SD4-246470	2-2-5,7-5
SD3-265296	2-1-2,9-19	SD4-246477	2-2-3,11-21
SD3-265306	2-2-1,8-8	SD4-246497	2-2-4,7-5
	2-2-3,10-13	SD4-246535	2-1,10-26
SD3-265318	2-1-4,11-16	SD4-263915	2-2-1,13-47
	2-2-3,10-18	SD4-265217	2-1-3-1,8-13
SD3-265323	2-1-3,7-5		2-1-3-1-1,7-2
SD3-265324	2-1-3,7-6		2-2-1,8-10
SD3-265330	2-1-3,8-15		2-2-2,7-4
SD3-265331	2-1-3,7-2	SD4-265303	2-2-4,7-9
SD3-265361	2-2-1,13-44	SD4-265322	2-1-3,7-4
SD3-265384	2-1-4,16-54	SD4-265399	2-2,7-1
SD3-265385	2-2-3,13-38	SD4-265405	2-1-4,11-18
SD3-265403	2-1-4,10-7	SD4-265406	2-1-4,12-21
	2-2-2,7-6		2-2-3,13-40
SD3-265437	2-1-8,7-6	SD4-265407	2-1-4,17-58
SD3-265454	2-1-2,7-7		2-1-4,11-19
SD3-265458	2-1-2,8-13		2-2-3,11-22
SD3-265459	2-1-2,7-3	SD4-265483	2-1-4,15-46
SD3-265465	2-1-4,18-68	SD4-265500	2-1-3-1-1,8-7
SD3-265480	2-1-4,12-27		2-2-1,11-33
SD3-265482	2-1-4,15-45	SD4-265501	2-2-2,8-10
SD3-265498	2-1-3,8-10	SD4-265502	2-1-4,10-11
SD3-265499	2-1-2,7-9		
SD3-265512	2-1-1-1,8-8		
	2-1-1-1-1,9-1		

Part No./ Drawing No.	Chapter, Page and Item No.	Part No./ Drawing No.	Chapter, Page and Item No.
SD4-265523	2-1-1, 10-24	TX8603-0.1W	2-1-3-1-2, 7-2
	2-1-4, 12-24		2-1-3-1-2-1, 9-1
	2-2-3, 13-35		2-1-1-1, 8-8
SD4-265526	2-1-1, 10-25	U11	2-1-1-1-1, 9-1
	2-1-4, 12-26	VR801	2-1, 9-21
	2-2-3, 13-37		2-1-1-1-1, 14-31
SD4-265556	2-1-1, 8-10		2-1-1-1-2, 13-27
SD4-265563	2-1-1, 7-3		2-1-3-1-2-1,
SD4-265564	2-1-1, 12-42		13-26
SD4-265566	2-1-1, 12-51		2-1-3-1-2-2,
SD4-265570	2-1-1, 12-50		12-23
SD4-265571	2-1-1, 12-49	W 8005	2-1-1, 11-30
SD4-265572	2-1-1, 11-35	WTB111527-14	2-1-4, 9-3
SD4-265573	2-1-1, 11-36		2-2-1, 8-12
SD4-268282PD	2-1-4, 19-72		2-1-2, 7-2
SD4-268433PD	2-1-5-2, 7-6		2-1-3, 7-3
SD4-268434PD	2-1-5-2, 7-7		2-1-5-1, 5-3
SD4-266534	2-1-1, 11-35		2-1-8-1, 5-2
SDA167441	2-2-3, 14-50		2-1-5-2, 7-9
SDA244008	2-1, 10-25		2-1-3-1, 8-14
SDA241999	2-1-2, 8-9		2-1-3-1-1, 7-3
SDB167440	2-2-3, 14-49		2-1-4-1, 7-2
SDB235075	2-1-5, 7-5		2-1-5, 7-3
	2-1-5-1, 5-5		2-1-8, 7-2
SDB224268-4	2-1-1-1, 10-22		2-2-2, 7-5
SDC229881	2-1, 9-16		2-2-3, 9-6
SDC235025-1	2-1-2, 9-17		2-2-4, 8-15
	2-1-4, 18-63		2-2-5, 8-10
	2-2-1, 13-43	X0865	2-1-1-1-1, 12-19
SCA/26044-1	2-1-4, 17-58		2-1-3-1-2-1,
SDC235025-8	2-1-3, 12-42		11-14
SDC235155-2	2-1-4, 9-4		2-1-9, 5-1
SDC242200	2-1, 8-15	X0866	2-1-10, 5-1
SDC242233	2-1, 8-12		2-1-1-1-2, 11-18
SDC246348	2-1, 9-15		2-1-3-1-2-2,
SDD229880	2-1, 7-7		10-14
SDO-265381	2-1, 7-2	XF803	2-1-1-1-2, 12-22
SELLOK3-16	2-2-4, 7-6		2-1-3-1-2-2,
SI804	2-1, 10-31		11-18
SONICLOKM3	2-1-4, 19-70		
SONICLOKM4	2-1-4, 18-69		
SQ101A	2-1-1-1-2, 13-28		
	2-1-3-1-2-2,		
	12-24		
SSML7-11-3-16	2-1-3-1, 7-7		
T18R	2-1-2, 9-20		
	2-1-3-1-1, 9-19		
	2-1-4, 15-43		
	2-1-4-1, 9-19		
	2-1-5, 8-13		
	2-2-1, 14-51		
	2-2-3, 14-47		



