

RESTRICTED

ARMY EQUIPMENT
SUPPORT PUBLICATIONS

5820-F-300-711
OCTOBER 1980



**RADIO STATION UK PSC 540
(SHORT RANGE COMMUNICATION
AND RECORDING EQUIPMENT)**

REPRINTED DEC 1993 INCORPORATING AMDTS Nos 1 to 5

ILLUSTRATED PARTS CATALOGUE

By Command of the Defence Council



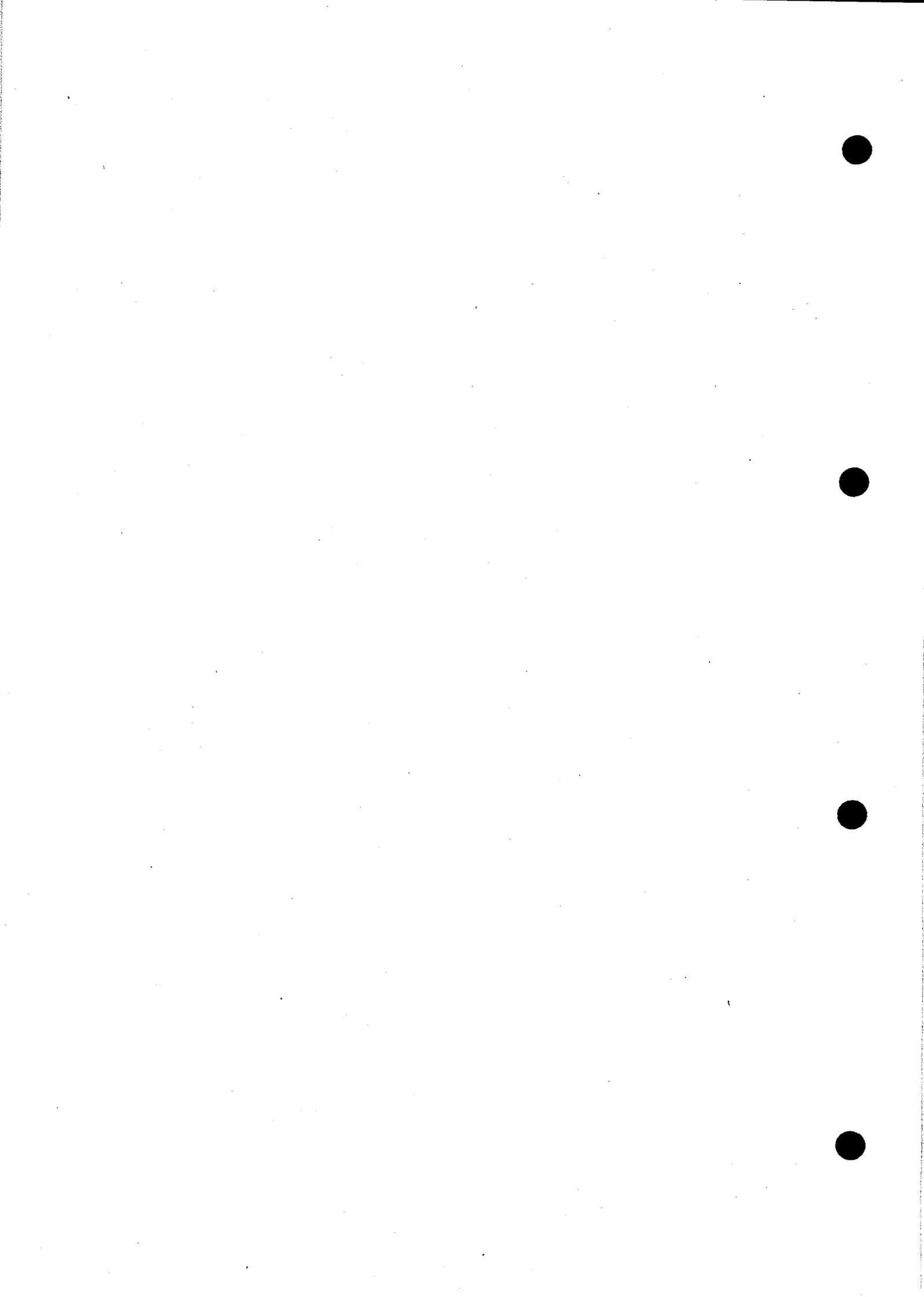
Ministry of Defence

Sponsor : GS (OR) 37

File Ref D / GS (OR) 37 / 4 / 86

Publication Authority D A C A

RESTRICTED



AMENDMENT RECORD SHEET

To record the incorporation of an Amendment List in this publication, sign against the appropriate A.L. No. and insert the date of incorporation.

A.L.No.	AMENDED BY	DATE
1	[REDACTED]	21-12-93
2	[REDACTED]	21-12-93
3	[REDACTED]	21-12-93
4	[REDACTED]	21-12-93
5	[REDACTED]	21-12-93
6		
7		
8		
9		
10		
11		
12		
13		
14		
15		
16		
17		
18		
19		
20		
21		
22		
23		
24		
25		
26		
27		
28		
29		
30		
31		
32		
33		
34		

A.L.No.	AMENDED BY	DATE
35		
36		
37		
38		
39		
40		
41		
42		
43		
44		
45		
46		
47		
48		
49		
50		
51		
52		
53		
54		
55		
56		
57		
58		
59		
60		
61		
62		
63		
64		
65		
66		
67		
68		

RESTRICTED

A.L.No.	AMENDED BY	DATE
69		
70		
71		
72		
73		
74		
75		
76		
77		
78		
79		
80		
81		
82		
83		
84		
85		
86		
87		
88		
89		
90		
91		
92		
93		
94		
95		
96		
97		
98		
99		
100		
101		
102		
103		
104		
105		

A.L.No.	AMENDED BY	DATE
106		
107		
108		
109		
110		
111		
112		
113		
114		
115		
116		
117		
118		
119		
120		
121		
122		
123		
124		
125		
126		
127		
128		
129		
130		
131		
132		
133		
134		
135		
136		
137		
138		
139		
140		
141		
142		

ARMY EQUIPMENT
SUPPORT PUBLICATIONS

PREFACE

Introduction

1. This Illustrated Parts Catalogue (IPC)/Army Equipment Support Publication, Category 7 (AESP) is designed as an aid to the identification of component parts or assemblies of parts of the equipment, and to provide the information necessary for the demanding of spares.
2. This IPC/AESP may list some or all of the parts comprising the equipment concerned but only those parts given a NATO Stock Number will normally be available as spares. Should there be a requirement for an item not assigned a NATO Stock Number, demands may be submitted quoting the code number of the publication, item number, figure reference and item name. Where a manufacturers number is known this should also be quoted.

Quantities

3. The figure in the 'Number Off' column specifies the quantity required for the unit (or assembly, sub-assembly etc.) concerned, it does not indicate the quantity to be demanded.

Demands

4. Demands are to be submitted in accordance with current instructions as follows:-

- (1) Management Code
- (2) NATO Stock Number/Catalogue Number.
- (3) Item Name and Description.
- (4) Name of Equipment for which the part is required.

Modification state

5. When appropriate, a list at the front of each Chapter or Sub-Chapter will indicate the modification numbers which have been incorporated in this document.

Amendments

6. Amendments to this document will be published from time-to-time. They will be numbered consecutively and the 'Amendment Record' is to be completed for each amendment embodied.

Abbreviations

7. Abbreviations used in this document are:-

A	Ampere	BA	British Association
ac	Alternating Current		screw thread
A/F	Across Flats	BS	British Standard

Abbreviations (cont.)

circ	Circumference	min	Minimum
cm	Centimetres	M ohm	Megohm
co	Changeover	mm	Millimetre(s)
c/s	Cycles per second	mtd	Mounted
csk	Countersunk/sink	mtg	Mounting
cu	Cubic	nF	Nanofarad
dc	Direct Current	N/A	Not Applicable
deg	Degree(s)	no.	Number
dia	Diameter(s)	nom	Nominal
dim	Dimension(s)	o/a	Overall
dpco	Double pole Changeover	od	Outside diameter
dpdt	Double pole double throw	pF	Picofarad
dpst	Double pole single throw	rd	Round
eg	Example	rect	Rectangular
EIA	Electronic Industries Association (U.S.A. Spec)	scr	Screwed
f.	Frequency	spdt	Single pole double throw
FSD	Full scale deflection	spst	Single pole single throw
ft	Foot/feet	sq	Square
h	Height	SWG	Standard wire gauge
hd	Head	thd	Thread(ed)
hex	Hexagon(al)	thk	Thick(ness)
Hz	Hertz	tub	Tubular
id	Inside diameter	uF	Microfarad
in.	inch(es)	uH	Microhenry
kc/s	Kilocycles per second	UNC	Unified National Coarse Screw Thread
kHz	Kilohertz	UNF	Unified National Fine Screw Thread
k ohm	Kilohm	V	Volt(s)
lg	Length (Long)	W	Watt(s)
m	Metre(s)	w	Width (wide)
max	Maximum	w/	With
MHz	Mega Hertz	wkg	Working

Annotations

8. Annotations used in this document are:-

- (1) Ref = For Reference only (shown in No.Off Column).
- (2) NI = This sign against a number in the Fig-Item column indicates that the item is not illustrated.
- (3) AR = As required (listed in No.Off Column). for bulk supply items, wire, cable etc. or where quantities are variable.
- (4) NP = Not provisioned (listed in NSN Column) see para. 2

ARMY EQUIPMENT
SUPPORT PUBLICATIONSIndentations

9. Items are listed in a logical assembly/dis-assembly order and are 'indented' to indicate the relationship of the items. This indentation is hypothetical, all entries being aligned vertically, and the extent of 'indentation' being indicated by letters in alphabetical order starting at A:-

- A MAIN ASSEMBLY
- Z Attaching parts for main assembly
- B FIRST LEVEL OF BREAKDOWN (Sub-assembly or detail part of main assembly)
- Z Attaching parts for first level
- C SECOND LEVEL OF BREAKDOWN (Sub-Sub-assembly or detail part of Sub-assembly)
- Z Attaching parts for second level
- D THIRD LEVEL OF BREAKDOWN (Sub-Sub-Sub-assembly or detail part of Sub-Sub-assembly)
- Z Attaching parts for third level.

Other Information10. (1) Amendments

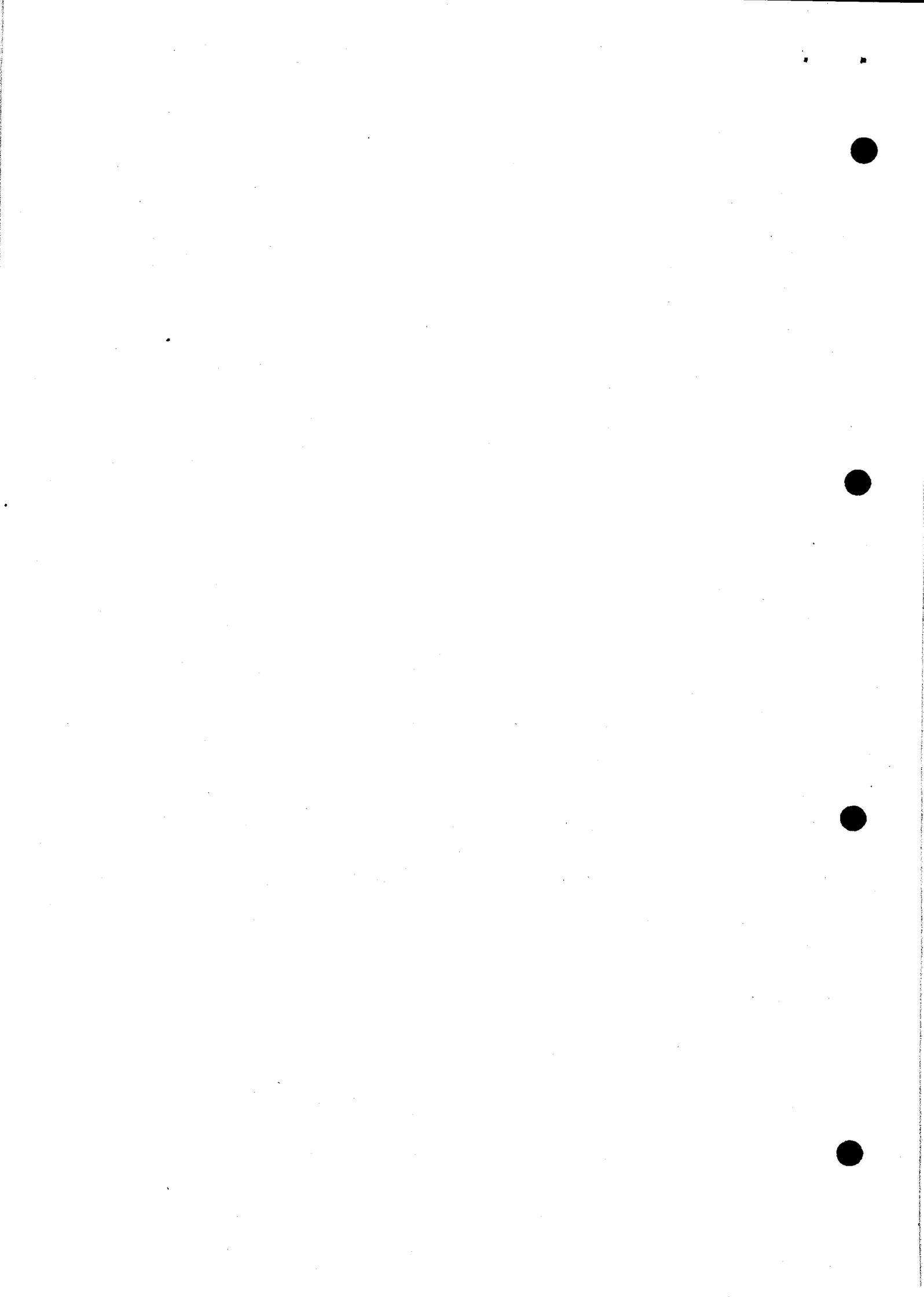
Amendments are notified in CSIs, and Units concerned will indent through their local Stationary Section or overseas equivalent for copies as required.

It is essential that this IPC be kept fully amended.

Publication Information

11. Any communication regarding this document, should be made to the controlling authority at the following address:-

The Director
Army Cataloguing Authority
Building 37
Royal Arsenal West
Woolwich
London SE18 6SR



CONTENTS

Preliminary Material

Title Page
Amendment Record
Contents
Preface

Chapters

1	Index of Assemblies and Sub-Assemblies
2-0	Parts list - Short Range Communication and Recording Equipment.
2-1	Parts list - Radio Station (UK/PSC540) General Purpose Role
2-1-1	Parts list - Transmitter-Receiver, Radio (ORU Assembly).
2-1-1-1	Parts list - Transmitter-Receiver Subassembly (Radio Compartment)
2-1-1-1-1	Parts list - Transmitter, Radio (ORU).
2-1-1-1-2	Parts list - Receiver, Radio (ORU).
2-1-2	Parts list - Cable Assembly-Switch, Electrical (Special Pressel).
2-1-3	Parts list - Control Radio Unit (CRU).
2-1-3-1	Parts list - Radio Panel Assembly (CRU)
2-1-3-1-1	Parts list - Electrical Box Assembly (PEC)
2-1-3-1-2	Parts list - Amplifier, Radio Frequency (Chassis Assembly, CRU)
2-1-3-1-2-1	Parts list - Transmitter, Radio (CRU)
2-1-3-1-2-2	Parts list - Receiver, Radio (CRU)
2-1-4	Parts list - Portable Control Point Unit Assembly (PCPU)

- 2-1-4-1 Parts list - Interconnecting Box (PEC Box Assy)
- 2-1-5 Parts list - Recorder-Reproducer, Sound (Tape Recorder,
Modified)
- 2-1-5-1 Parts list - Recorder-Reproducer, Sound
- ▶ 2-1-5-2 Parts list - Recorder-Reproducer, Sound
- 2-1-6 Parts list - Cable Assembly, Special Purpose, Electrical
(Tape Recorder-PCPU)
- 2-1-7 Parts list - Cable Assembly, Radio Frequency (Cable, Feeder,
Antenna).
- 2-1-8 Parts list - Shipping and Storage Container (Skypak Transit
Case)
- 2-1-8-1 Parts list - Shipping and Storage Container
- 2-1-9 Parts list - Oscillators, Radio Frequency (Crystal Osc.
Modules-Transmitter).
- 2-1-10 Parts list - Oscillators, Radio Frequency (Crystal Osc.
Modules-Receiver).
- 2-2 Parts list - Installation Kit, Electronic Equipment (Vehicle
Mounting Kit).
- 2-2-1 Parts list - Vehicle Control Point Unit Assembly (VCPU)
- 2-2-2 Parts list - Frame, Electrical Equipment (CRU Mounting Assembly)
- 2-2-3 Parts list - Loudspeaker-Amplifier Assembly (LSAU).
- 2-2-4 Parts list - Frame, Electrical Equipment (LSAU Mounting Frame)
- 2-2-5 Parts list - Chassis, Electrical Equipment (Tape Recorder
Mounting Assy).
- 2-2-6 Parts list - Cable Assembly, Radio Frequency (Feeder-Vehicle
Antenna).
- 2-2-7 Parts list - Cable Assembly, Special Purpose, Electrical
(VCPU to CRU).
- 2-2-8 Parts list - Cable Assembly, Special Purpose Electrical
(Tape Recorder-VCPU).
- 2-2-9 Parts list - Cable Assembly, Special Purpose, Electrical
(LSAU to VCPU-PCPU).
- 2-2-10 Parts list - Cable Assembly, Power, Electrical (Battery-VCPU)
- 3 Index of NATO Stock numbers.
- 4 Index of Part Numbers/Drawing Numbers.

RESTRICTED

5820-F-300-711

**ARMY EQUIPMENT
SUPPORT PUBLICATIONS**

CHAPTER 1

Chapter 1

INDEX OF ASSEMBLIES AND SUBASSEMBLIES

Chap 1

A/L1 Issued May 1981

RESTRICTED

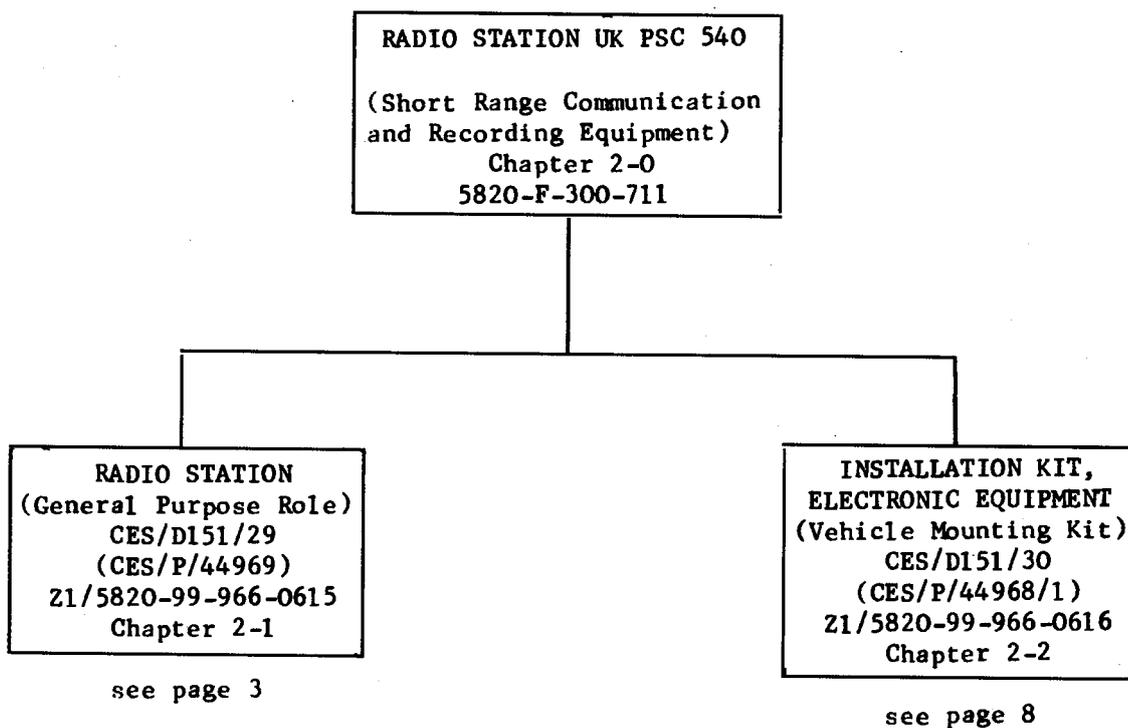


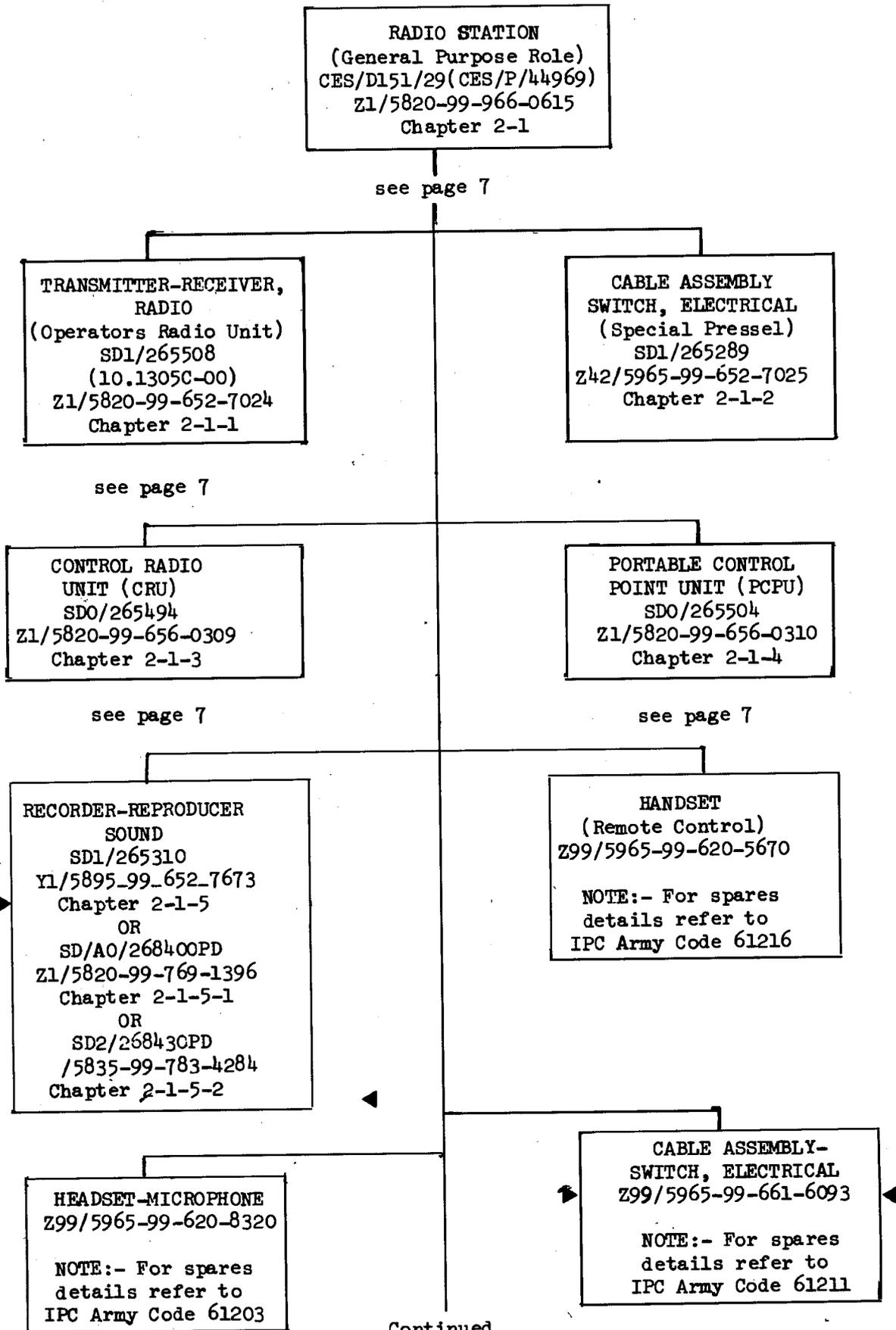
Chapter 1

INDEX OF ASSEMBLIES AND SUB-ASSEMBLIES

NOTE:-

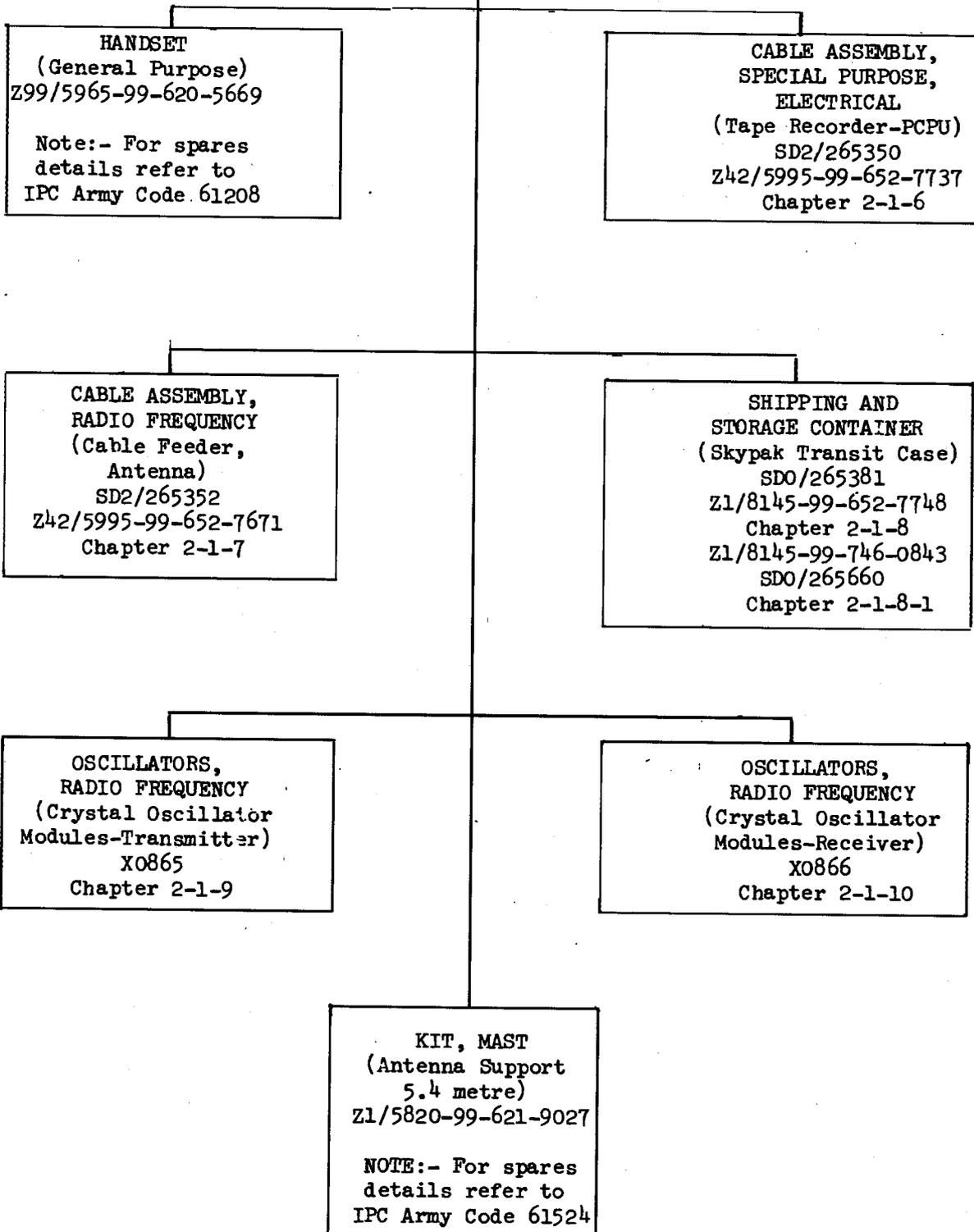
Unless otherwise stated, all drawing numbers quoted in this publication refer to Airtech Ltd., Haddenham, Bucks

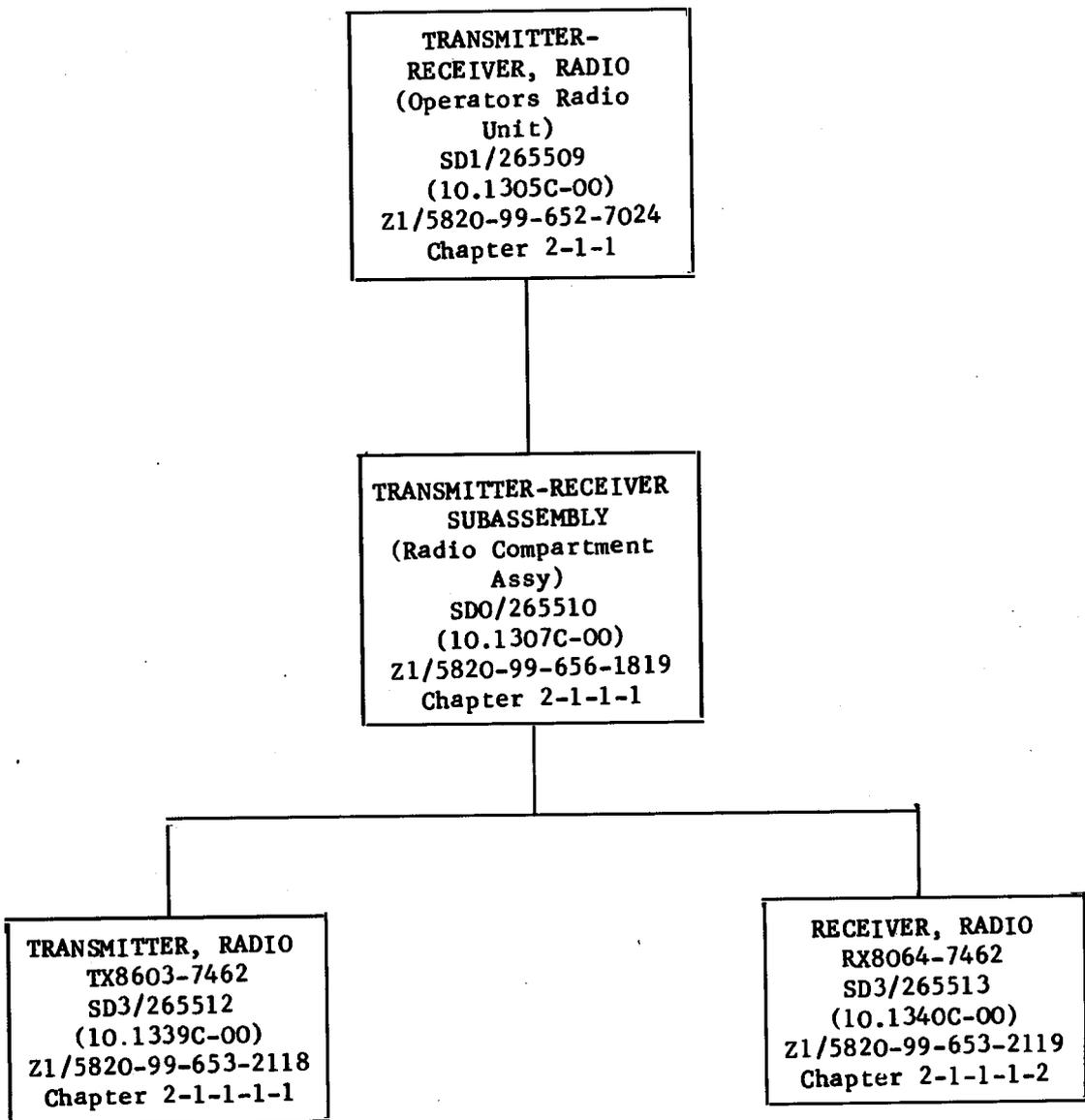


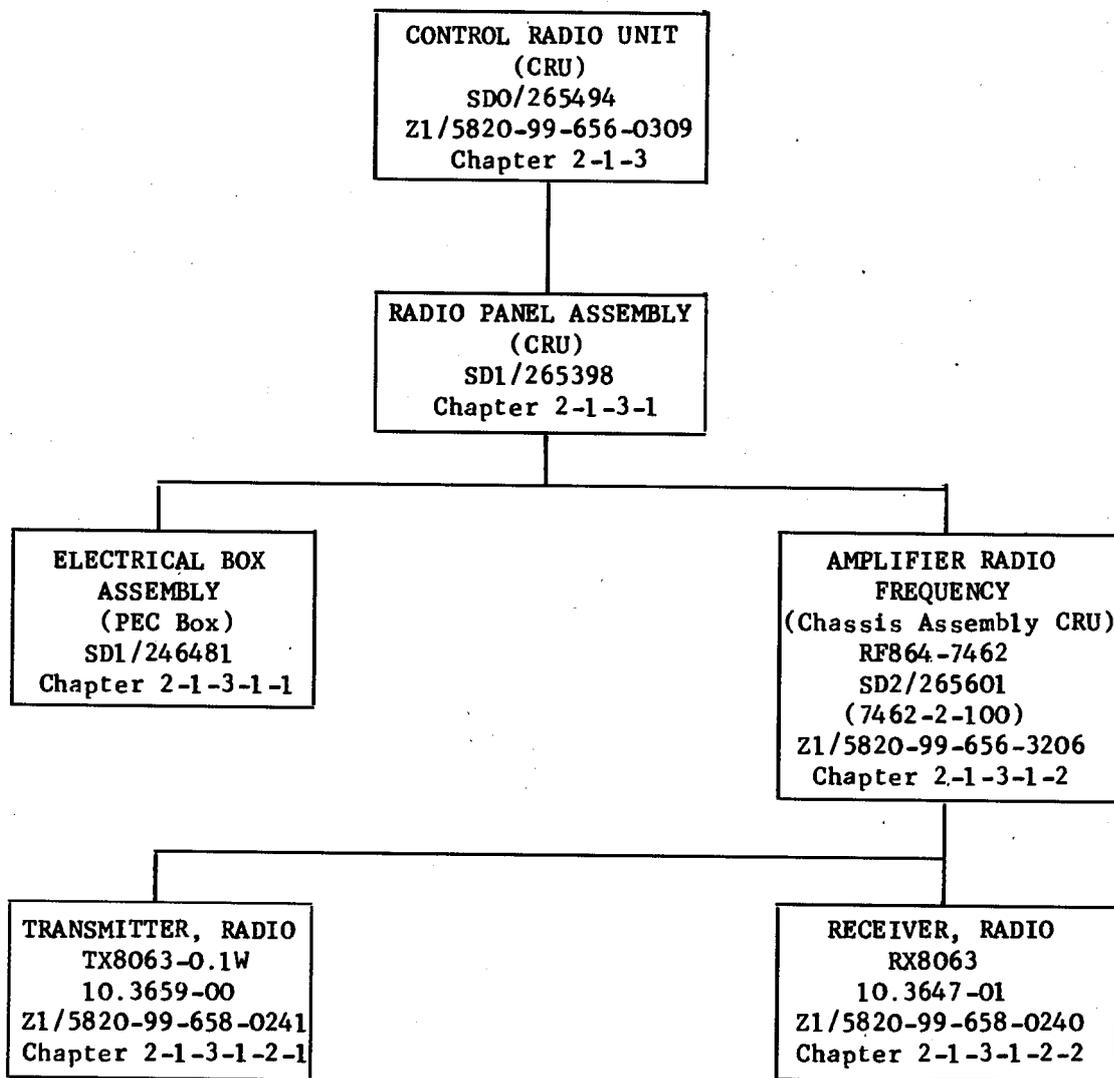


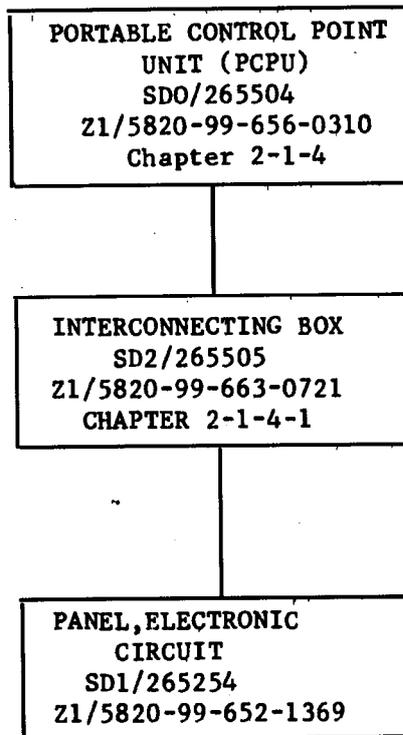
Continued

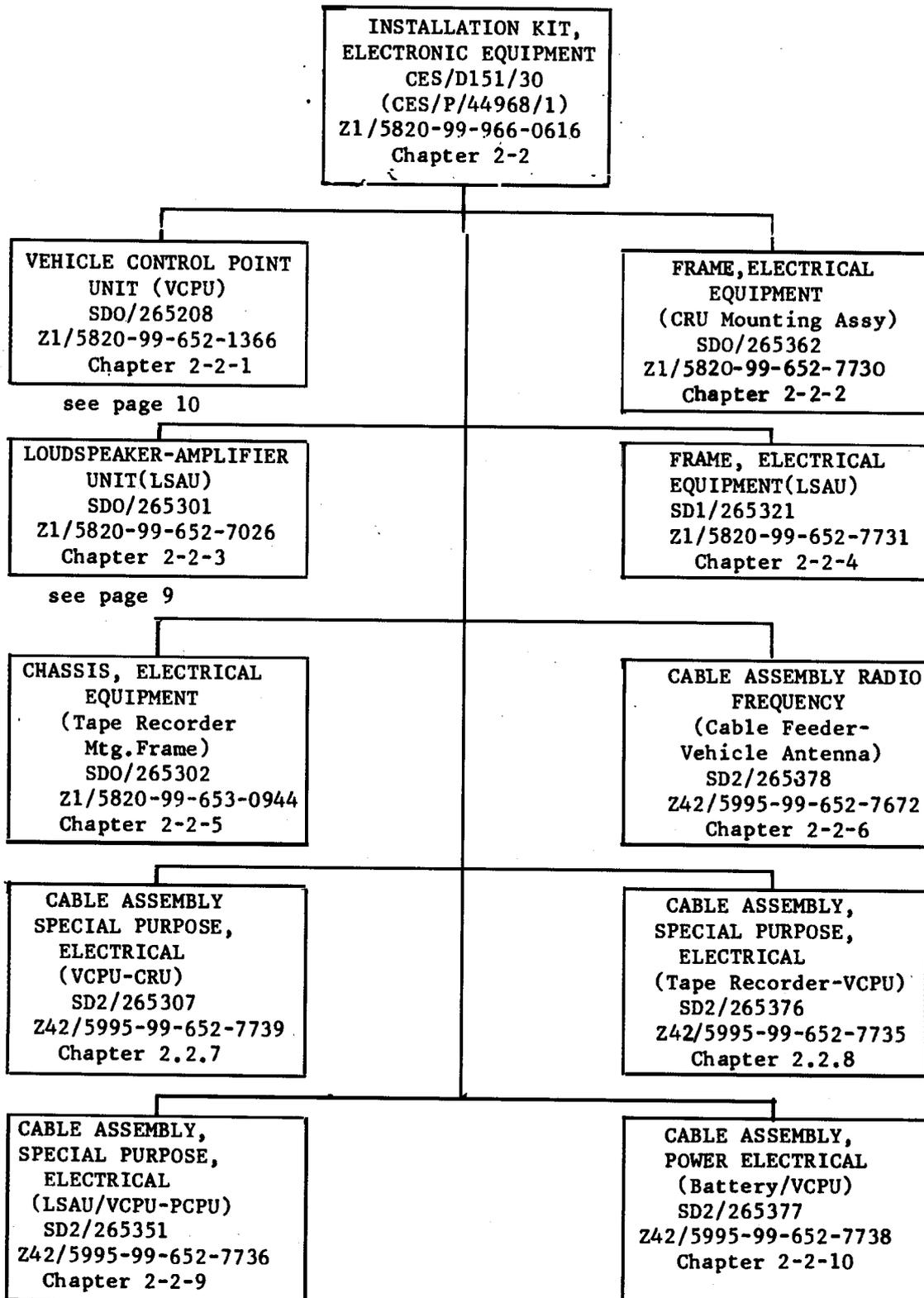
continued





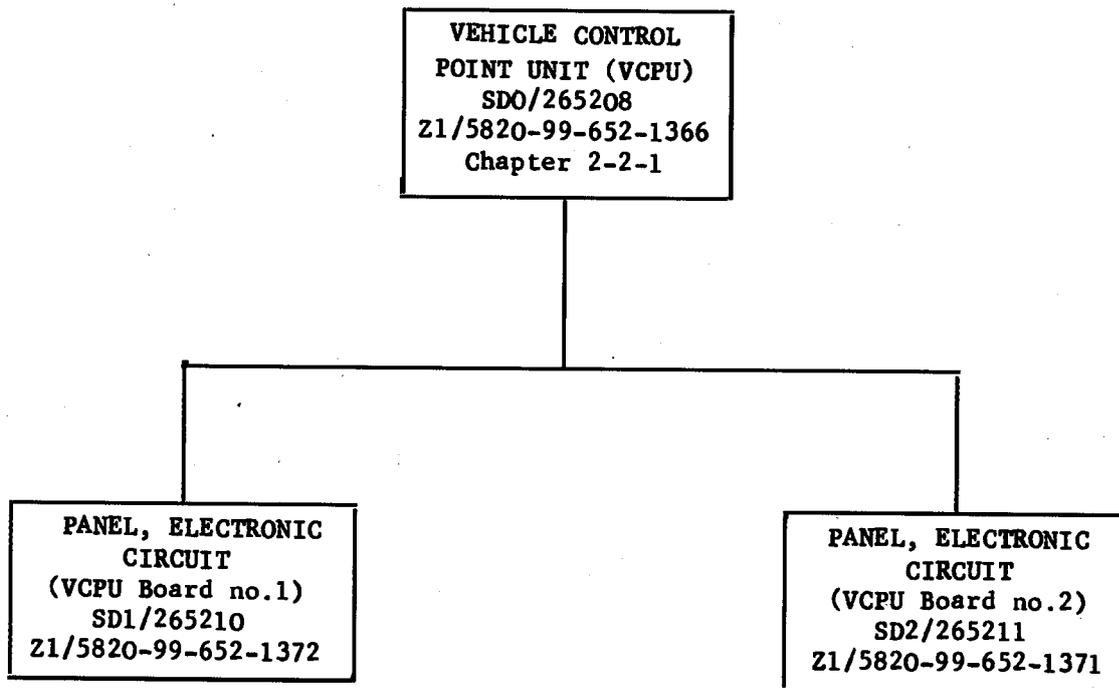






**LOUDSPEAKER-AMPLIFIER
UNIT (LSAU)
SDO/265301
Z1/5820-99-652-7026
Chapter 2-2-3**

**PANEL, ELECTRONIC
CIRCUIT (LSAU)
SD1/265308
Z1/5820-99-652-9909**



Chapter 1

INDEX OF ASSEMBLIES AND SUB-ASSEMBLIES

RADIO STATION UK PSU 540 (Short Range Communication and Recording Equipment)

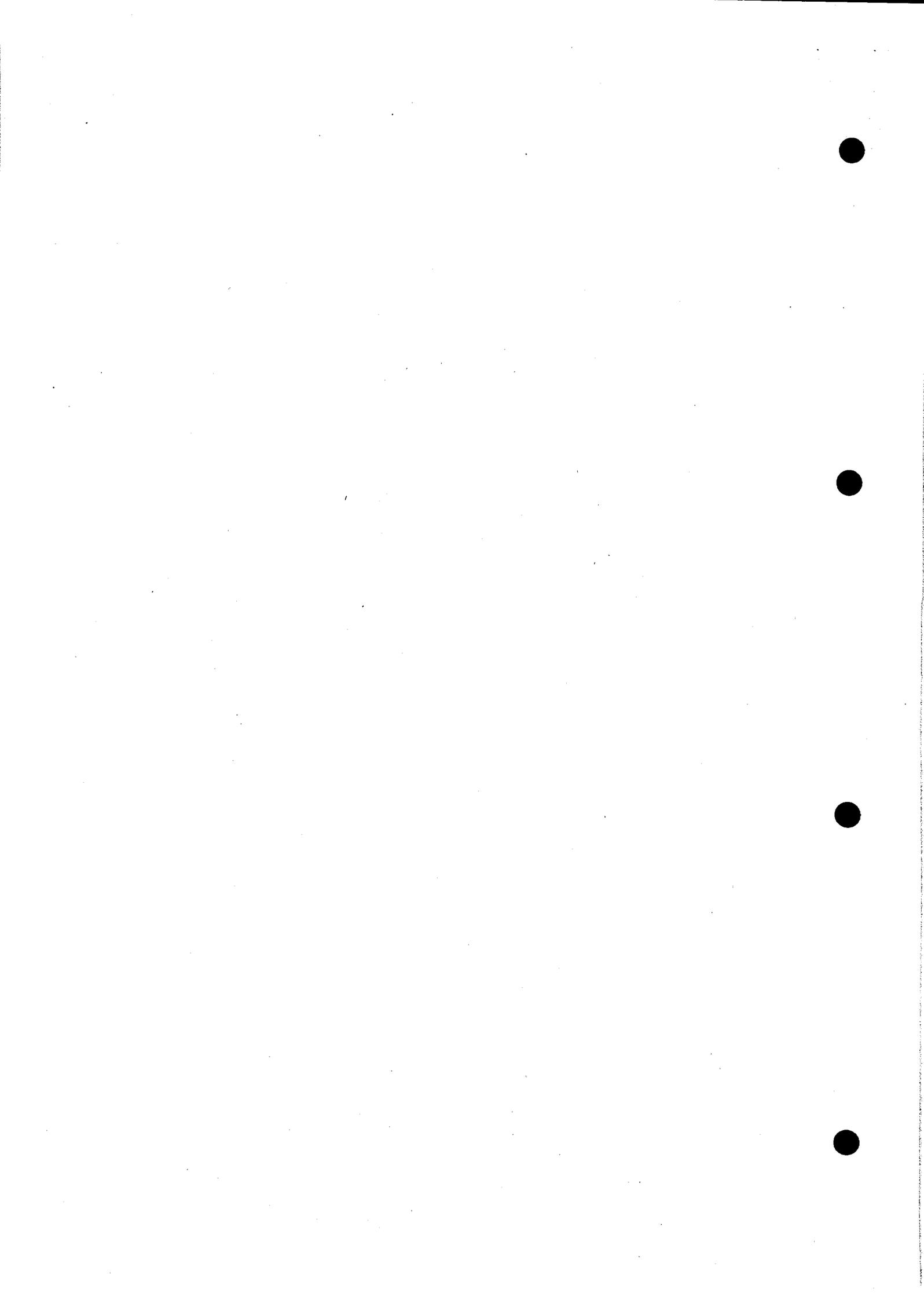
Item	Man Code RN A RAF	NATO Stock No./ Catalogue No.	Item Name	Maker's Part No/ Drawing No	Location in Chap 2 or Separate Sched No
1	Z1 (A)	5820-99-656-3219	AMPLIFIER, RADIO FREQUENCY	SD2/265601	2-1-3-1-2
2	Z42 (A)	5895-99-652-7749	ANTENNA (Omnidirectional)	SD4/246535 GPX2-N-D- U58-FXU-430	2-1 item 27
3	Z42 (A)	5985-99-658-1162	ANTENNA (Vehicle)	SD4/246534	2-2 item 13
4	Z42 (A)	5985-99-656-4881	ANTENNA (CRU & ORU)	AN862A (90.0303- 01)	2-1 item 11
5	Z9 (A)	6140-99-649-1665	BATTERY ASSEMBLY (CRU, ORU & LSAU)	BU803 10.2840-00	2-1 item 12
6	Y3 (A)	6135-99-220-6618	BATTERY, DRY (Tape Recorder)	SP11	2-1 item 21
7	Y3 (A)	6135-99-910-1132	BATTERY, DRY (Tape Recorder- Alternative Item)	U11	2-1 item 22
8		5820-99-643-9059	BATTERY CHARGER	STORNO CU805	2-1 item 31
9		6130-99-637-0733	BATTERY CHARGER	STORNO CU802	2-1 item 30
10		6625-99-653-2095	TEST SET, BATTERY	STORNO SI804-7494	2-1 item 32
11	Z42 (A)	5995-99-652-7738	CABLE, ASSEMBLY, POWER, ELECTRICAL (Battery-VCPU)	SD2/265377	2-2-10
12	Z42 (A)	5995-99-652-7671	CABLE ASSEMBLY, RADIO FREQUENCY (Remote Ant. Connection)	SD2/265352	2-1-7
13	Z42 (A)	5995-99-652-7672	CABLE ASSEMBLY, RADIO FREQUENCY (Cable, Feeder, Vehicle Antenna)	SD2/265378	2-2-6

Item	Man. Code RN A RAF	NATO Stock No./ Catalogue No.	Item Name	Maker's Part No/ Drawing No.	Location in Chap 2 or Separate Sched.No.
14	Z42 (A)	5995-99-652-7737	CABLE ASSEMBLY, SPECIAL PURPOSE, ELECTRICAL (PCPU-Tape Recorder)	SD2/265350	2-1-6
15	Z42 (A)	5995-99-652-7739	CABLE ASSEMBLY, SPECIAL PURPOSE, ELECTRICAL (VCPU-CRU)	SD2/265307	2-2-7
16	Z42 (A)	5995-99-652-7735	CABLE ASSEMBLY, SPECIAL PURPOSE, ELECTRICAL (Tape Recorder-VCPU)	SD2/265376	2-2-8
17	Z42 (A)	5995-99-652-7736	CABLE ASSEMBLY, SPECIAL PURPOSE, ELECTRICAL (LSAU-VCPU/PCPU)	SD2/265351	2-2-9
18	Z42 (A)	5965-99-652-7025	CABLE ASSEMBLY-SWITCH, ELECTRICAL (Special Pressel-ORU)	SD2/265289	2-1-2
19	Z99 (A)	5965-99-661-6093	CABLE ASSEMBLY-SWITCH, ELECTRICAL (Clansman Pressel)	SD/C246348	2-1 item (61211)
20	Z1 (A)	5820-99-653-0943	CASE, CONTROL (CRU Satchel)	A0/6790	2-1 item 10
21	Y1 (A)	5835-99-653-0945	CASE, SOUND RECORDER- REPRODUCER (Used with item 17 Chap 2-1)	A0/6780	2-1 item 22
22	Y1 (A)	5820-99-774-2981	OR CASE, SOUND RECORDER- REPRODUCER (Used with item 18 Chap 2-1)	A0/7853	2-1 item 23
23		5820-99-787-0278	OR CASE, SOUND RECORDER- REPRODUCER (Used with item 19 Chap 2-1) (Tape Recorder Satchel)	SDO/268435PD	2-1 item 24
24	Z1 (A)	5820-99-653-0942	CASE, TRANSMITTER- RECEIVER (ORU Satchel)	A0/6800	2-1 item 5
25	Y1 (A)	5835-17-009-9987	CASSETTE, MAGNETIC TAPE	C90	2-1 item 20
26	Z1 (A)	5820-99-653-0944	CHASSIS, ELECTRICAL EQUIPMENT (Mtg Frame, Tape Recorder)	SDO/265302	2-2-5

Item	Man. Code RN A RAF	NATO Stock No/ Catalogue No.	Item Name	Maker's Part No/ Drawing No.	Location in Chap 2 or Separate Sched. No.
27	Z1 (A)	5820-99-656-0309	CONTROL RADIO UNIT (CRU)	SD0/265494	2-1-3
28			ELECTRICAL BOX ASSEMBLY (PEC Box, CRU)	SD1/246481	2-1-3-1-1
29	Z1	5820-99-652-7730	FRAME, ELECTRICAL EQUIPMENT (CRU Mtg Frame)	SD0/265 362	2-2-2
30	Z1 (A)	5820-99-652-7731	FRAME, ELECTRICAL EQUIPMENT (LSAU Mtg Frame)	SD1/265321	2-2-4
31	Z99 (A)	5965-99-620-5670	HANDSET (Remote Control)	SD/C242233	2-1 item 13 (61216)
32	Z99 (A)	5965-99-620-5669	HANDSET (General Purpose)	SD/C242200	2-1 item 14 (61208)
33	Z99 (A)	5965-99-620-8320	HEADSET-MICROPHONE (Clansman Kk.2)	SD/D25000	2-1 item 7 (61203)
34	Z1 (A)	5820-99-645-0160	INSTALLATION KIT, ELECTRONIC EQUIPMENT	CES/D151/30	2-2
35	Z1	5820-99-663-0721	INTERCONNECTING BOX (PEC Box, PCPU)	SD2/265505	2-1-4-1
36	Z1 (A)	5820-99-621-9027	KIT, MAST 5.4 metre, Clansman	SD/A244008	2-1 item 1-26 (61524)
37	Z1 (A)	5820-99-652-7026	LOUDSPEAKER-AMPLIFIER UNIT (LSAU)	SD0/265301	2-2-3
38			OSCILLATORS, RADIO FREQUENCY (Xtal Oscillator Modules- Transmitter)	X0865	2-1-9
39			OSCILLATORS, RADIO FREQUENCY (Xtal Oscillator Modules- Receiver)	X0866	2-1-10

Item	Man. Code RN A RAF	NATO Stock No./ Catalogue No.	Item Name	Maker's Part No/ Drawing No.	Location in Chap 2 or Separate Sched. No.
40	Z1 (A)	5820-99-652-1369	PANEL, ELECTRONIC CIRCUIT (PCPU)	SD1/265254	2-1-4-1 item 20
41	Z1 (A)	5820-99-652-9909	PANEL, ELECTRONIC CIRCUIT (LSAU)	SD1/265308	2-2-3 item 61
42	Z1 (A)	5820-99-652-1372	PANEL, ELECTRONIC CIRCUIT (VCPU No.1)	SD1/265210	2-2-1 item 17
43	Z1 (A)	5820-99-652-1371	PANEL, ELECTRONIC CIRCUIT (VCPU No.2)	SD2/265211	2-2-1 item 16
44	Z1 (A)	5820-99-656-0310	PORTABLE CONTROL UNIT UNIT (PCPU)	SD0/265504	2-1-4
45			RADIO PANEL ASSEMBLY (CRU)	SD1/265398	2-1-3-1
46	Z1 (A)	5820-99-966-0615	RADIO STATION UK PSU 540	CES/D151/29	2-1
47	Z1 (A)	5820-99-653-2119	RECEIVER, RADIO	SD3/265513 RX8064-7462	2-1-1-1-2
48			RECEIVER, RADIO	10.3647-01 RX8063	2-1-3-1- 2-2
49	Y1 (A)	5835-99-652-7673	RECORDER, REPRODUCER, SOUND	SD1/265310	2-1-5
50	Z1 (A)	5820-99-769-1396	MODIFICATION CASSETTE RECORDER	SD/A0/ 268400PD	2-1-5-1
51		5835-99-783-4284	OR RECORDER, REPRODUCER SOUND	SD2/268430PD	2-1-5-2
52	Z1 (A)	8145-99-622-7748	SHIPPING AND STORAGE CONTAINER (Skypak Transit Case)	SD0/265381	2-1-8
53	Z1 (A)	8145-99-746-0843	SHIPPING AND STORAGE CONTAINER	SD03265660	2-1-8-1
54	Z1 (A)	5820-99-653-2118	TRANSMITTER, RADIO	SD3/265512 TX8603-7462	2-1-1-1-1

Item	Man. Code RN A RAF	NATO Stock No./ Catalogue No.	Item Name	Maker's Part No/ Drawing No.	Location in Chap 2 or Separate Sched. No.
55			TRANSMITTER, RADIO	10.3659-00 TX8063-0 1W	2-1-3-1- 2-1
56	Z1 (A)	5820-99-652-7024	TRANSMITTER-RECEIVER RADIO (ORU)	SD1/265508	2-1-1
57	Z1 (A)	5820-99-656-1819	TRANSMITTER-RECEIVER SUB-ASSEMBLY (Radio Compartment Assembly-ORU)	SD0/265510	2-1-1-1
58	Z1 (A)	5820-99-652-1366	VEHICLE CONTROL POINT UNIT (VCPU)	SD0/265208	2-2-1



RESTRICTED

5820-F-300-711

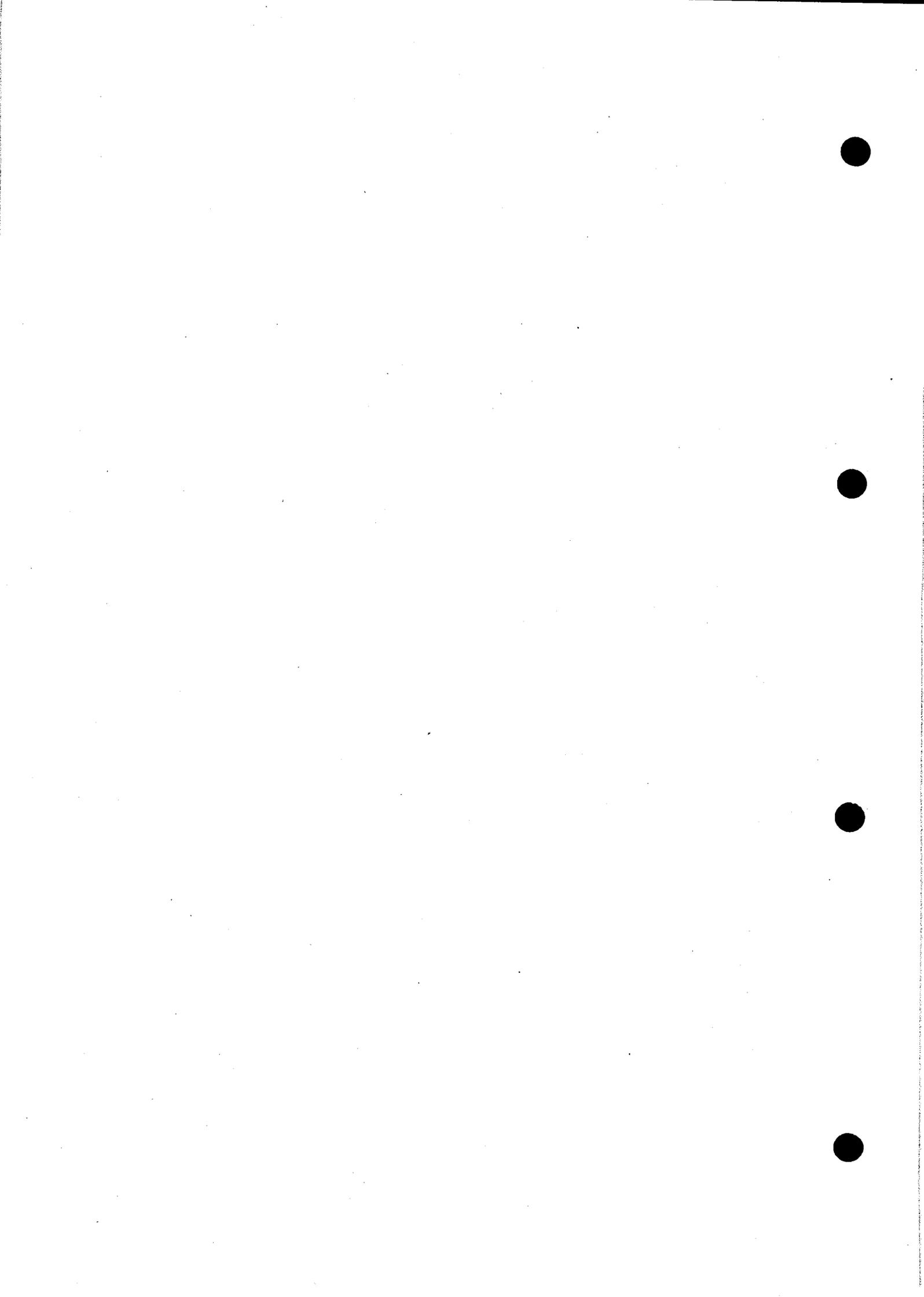
Chapter 2

CHAPTER 2

Issued October 1980

RESTRICTED

Chap 2



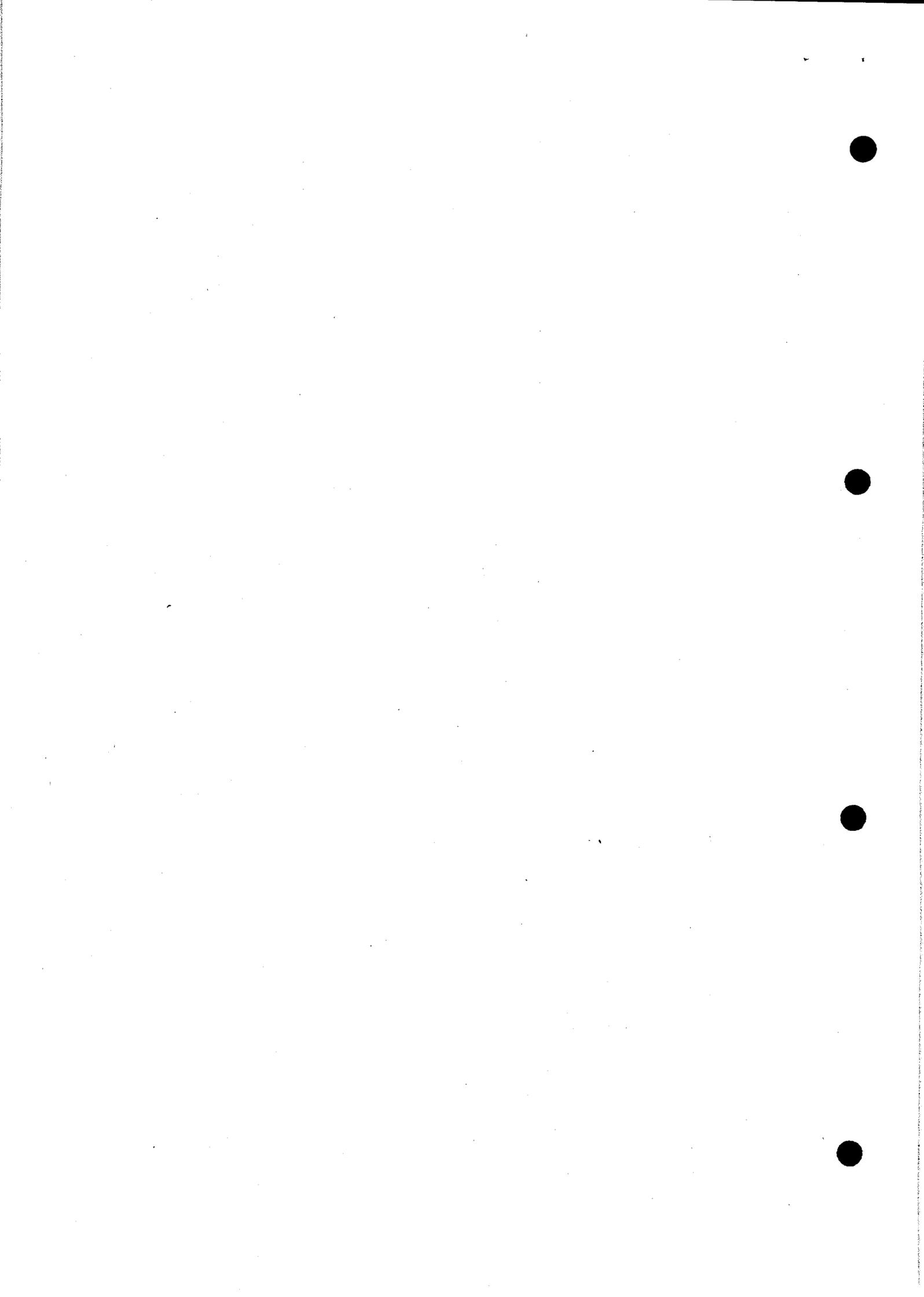
Chapter 2-0

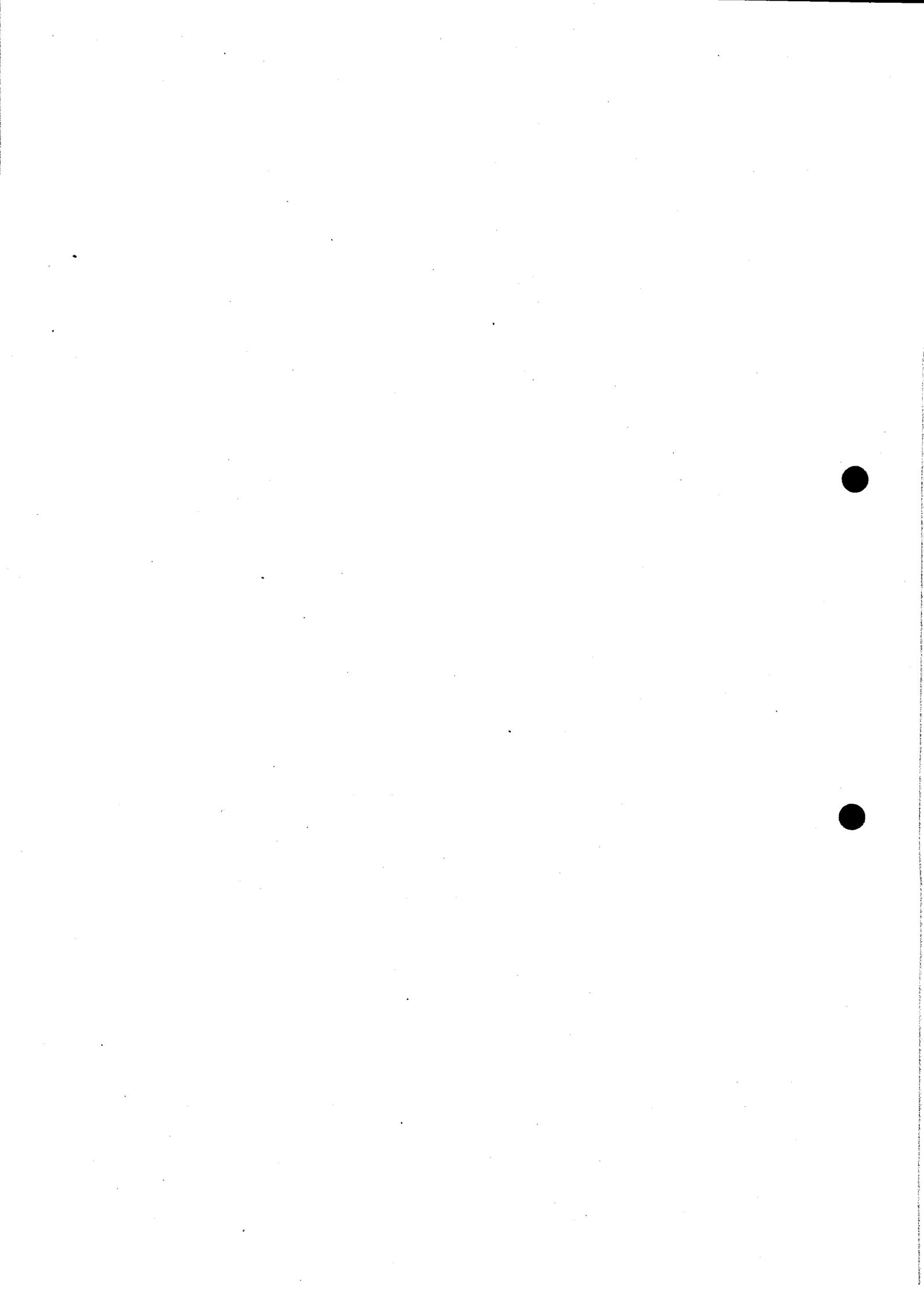
PARTS LIST

SHORT RANGE COMMUNICATION AND RECORDING EQUIPMENT

(G.A. Drawing No. CES/D151/29 (CES/P/44969))

(Circuit Diagram No. N/A)





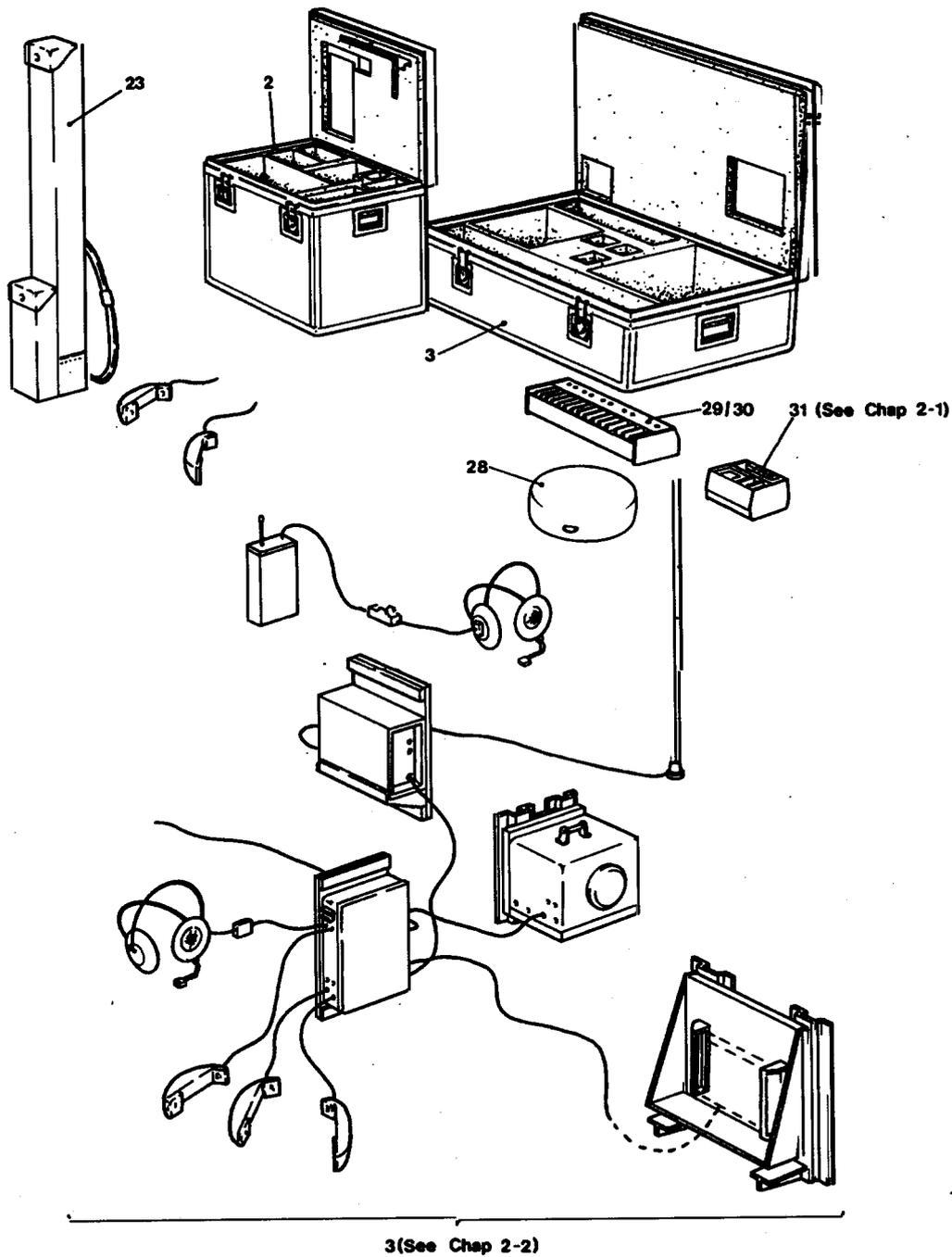


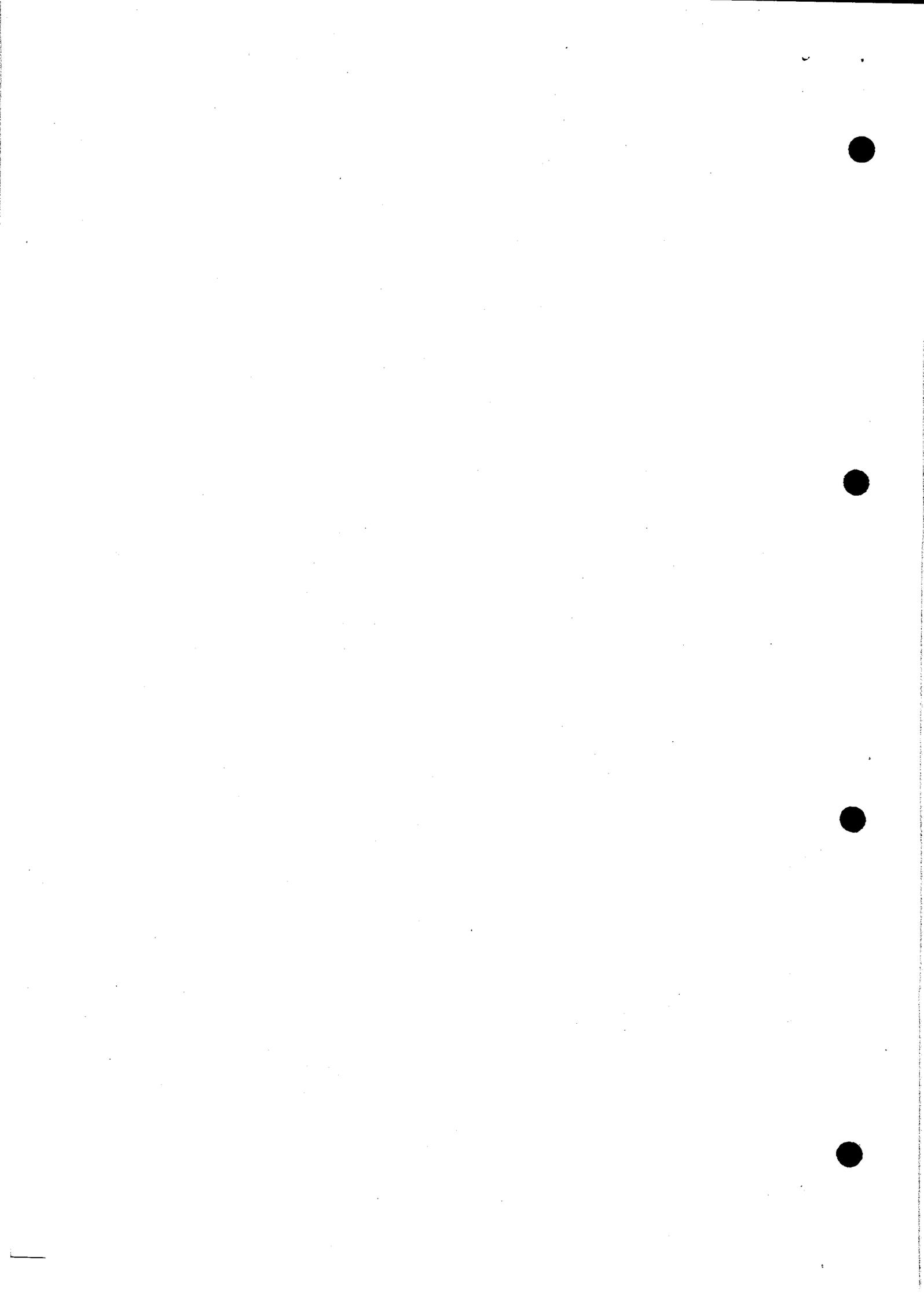
FIG. I SHORT RANGE COMMUNICATION
AND RECORDING EQUIPMENT



PARTS LIST

SHORT RANGE COMMUNICATION AND RECORDING EQUIPMENT

Fig-Item	Man Code		NATO Stock No.	Indent	Item Name and Description	Part No/ Drawing No.	No. off	Annotations	
	Navy - N	Army - A						RAF - R	Class of Store and Serv. Line
1	-	-	-	A	SHORT RANGE COMMUNICATION AND RECORDING EQUIPMENT comprising:-	-	Ref		
1-2	A	Z1	5820-99-966-0615	B	RADIO STATION (General Purpose Role) Note:- For spares details refer to Chapter 2-1	CES(P) 44969 CES/D151/ 29	1		
3	A	Z1	5820-99-966-0616	B	INSTALLATION KIT, ELECTRONIC EQUIPMENT (Vehicle Mounting Kit) Note:- For spares details refer to Chapter 2-2	CES(P) 44968/1 CES/D151/ 30	1		



RESTRICTED

5820-F-300-711

Chapter 2-1

PARTS LIST

**RADIO STATION
(General Purpose Role)**

Z1/5820-99-966-0615

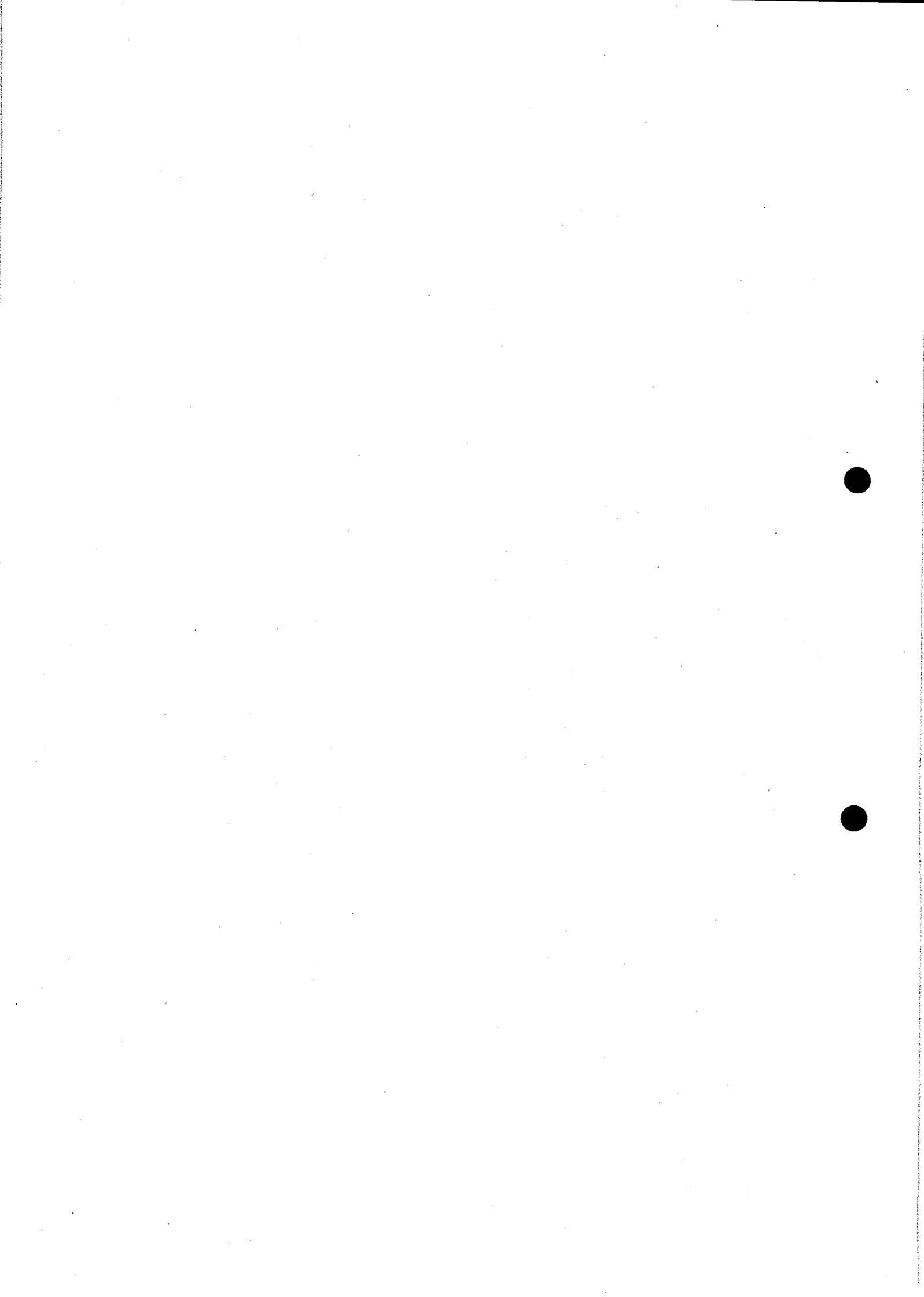
(G.A. Drawing No. CES/D151/29 (CES/P/44969))

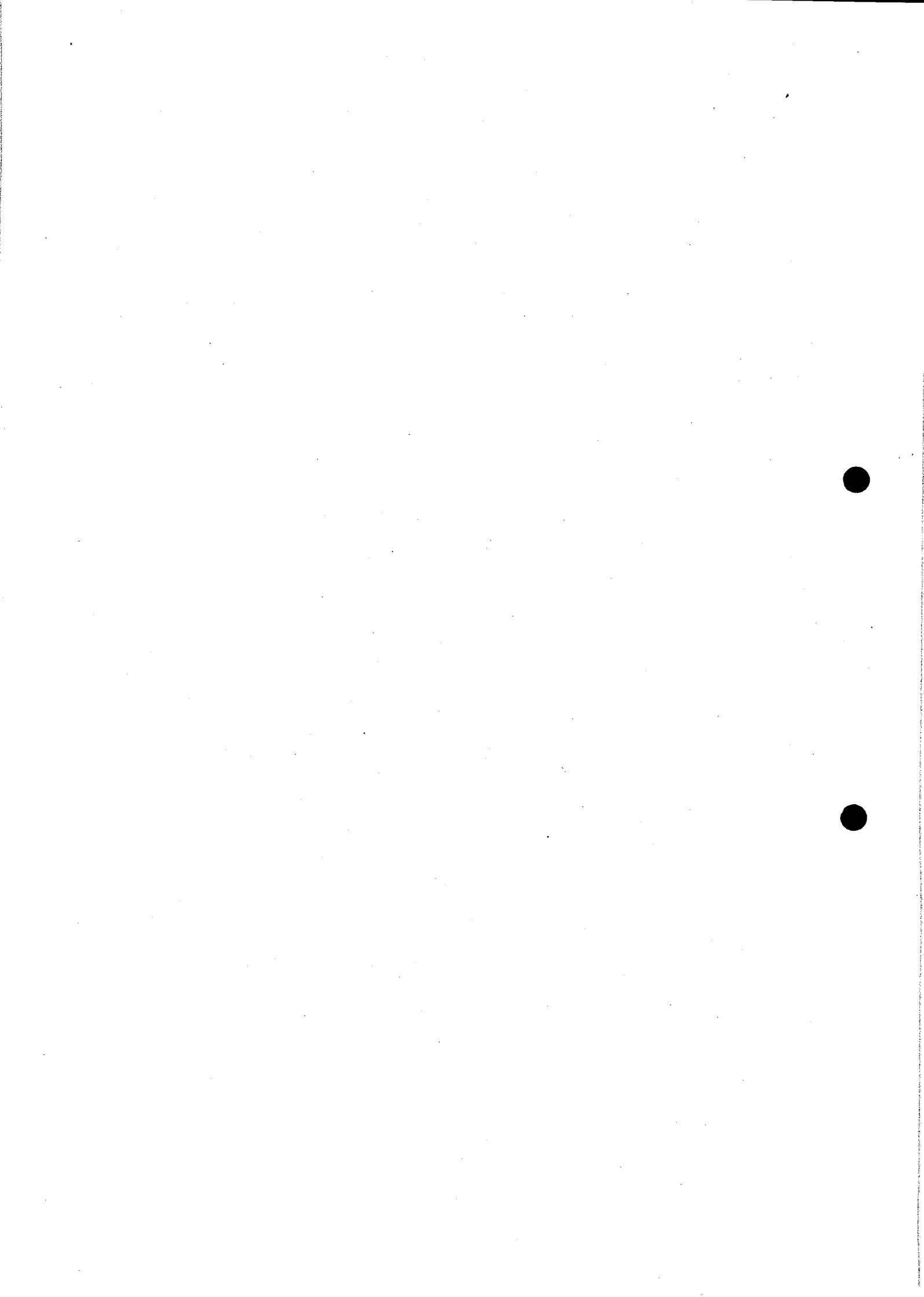
(Circuit Diagram No. N/A)

Issued October 1980

RESTRICTED

**Chap 2-1
Page 1/2**





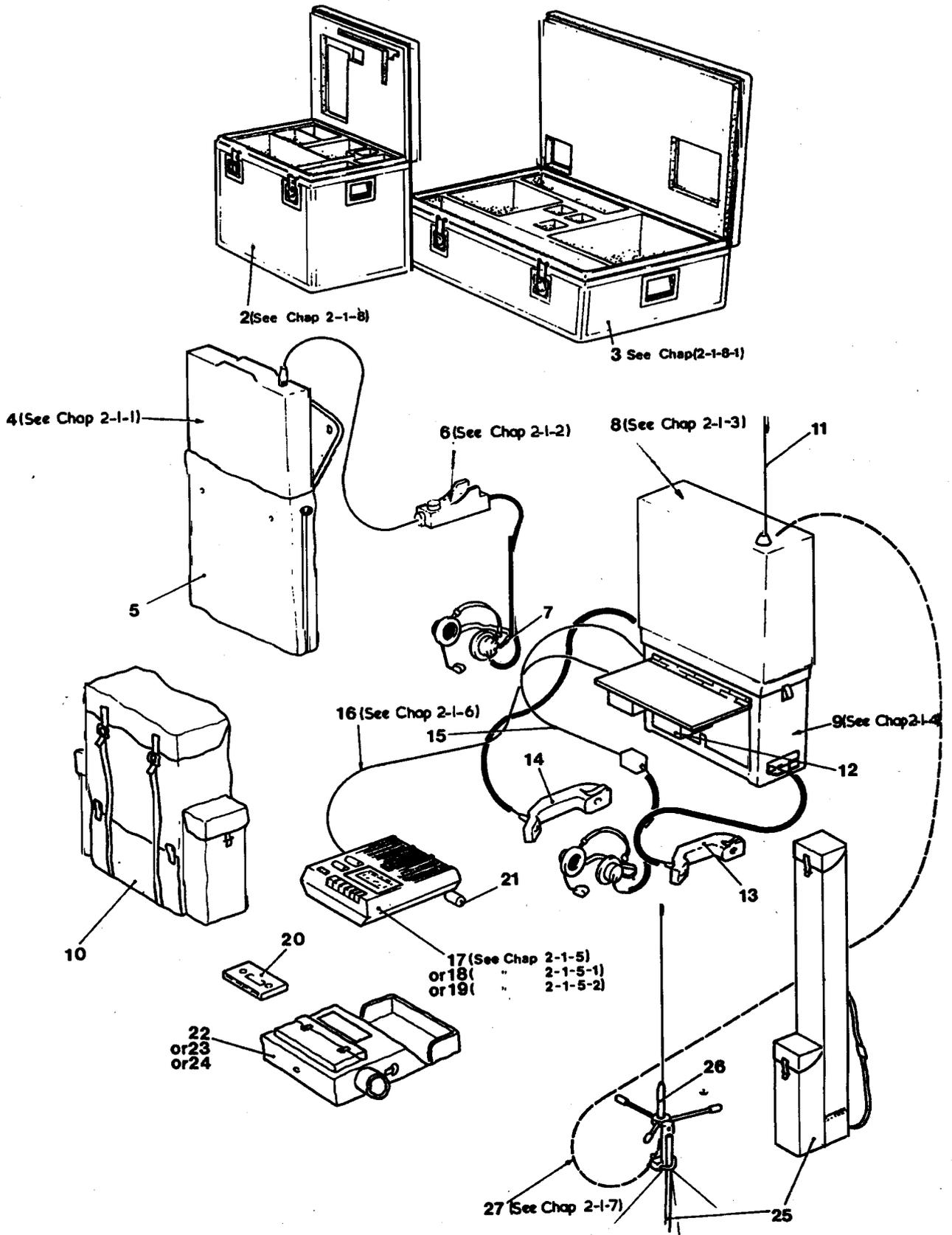
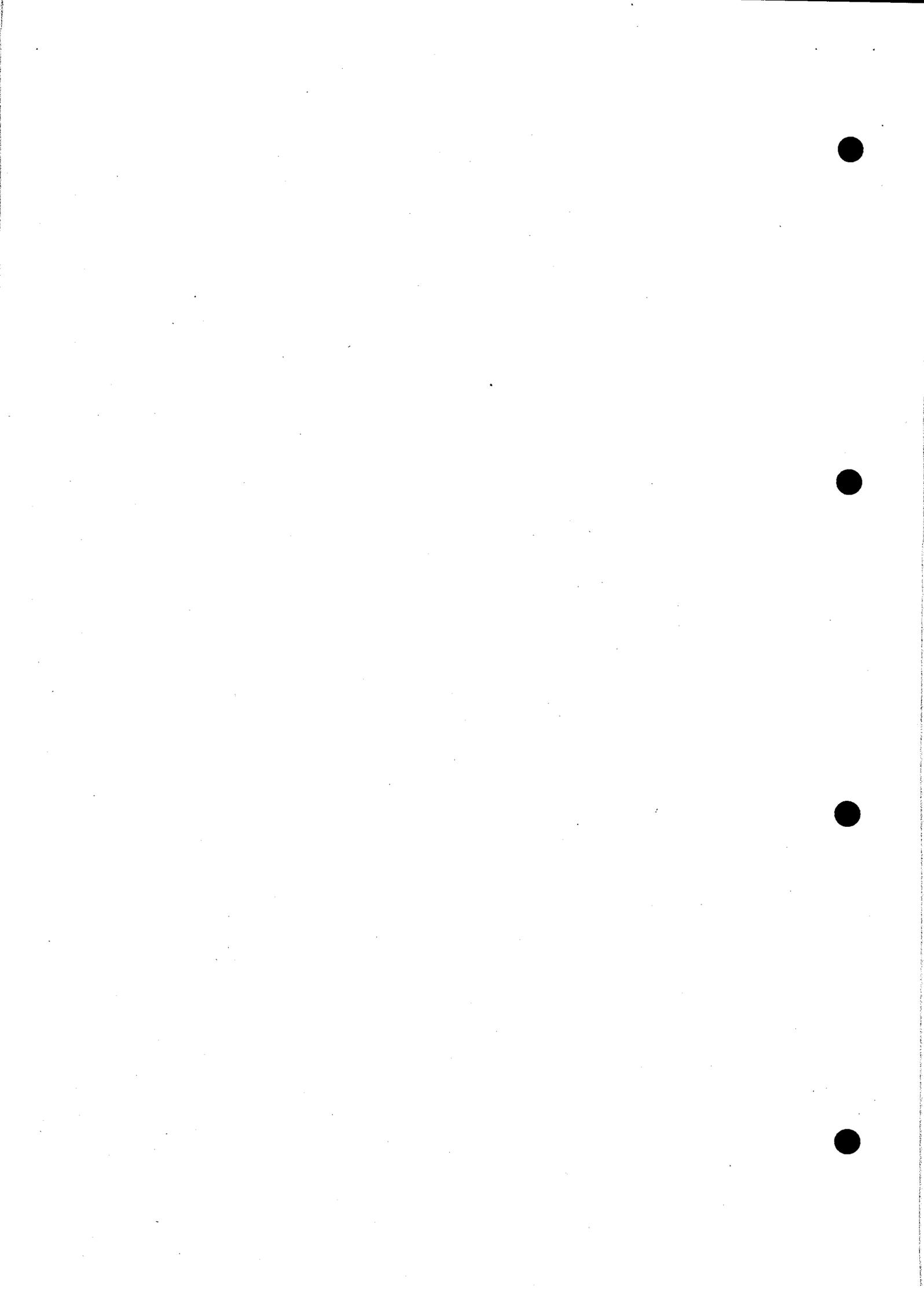


FIG. I RADIO STATION (General Purpose Role)



Chapter 2-1

PARTS LIST

RADIO STATION (General Purpose Role) Z1/5820-99-966-0615

Fig-Item	Man Code		NATO Stock No.	Indent	Item Name and Description	Part No/ Drawing No.	No. off	Annotations	
	Navy - N	Army - A						RAF - R	Class of Store and Serv. Linc
1	A	Z1	5820-99-966-0615	A	RADIO STATION (General Purpose Role)	CES/D151/ 29 CES/P/ 44969	Ref		
1-2	A	Z1	8145-99-652-7748	B	SHIPPING AND STORAGE CONTAINER (Skypak Transit Case) plastics; 665mm lg, 412mm w, 395mm h; contains RADIO STATION Refer to Chap 2-1-8	SDO/ 265381	1		
3	A	Z1	8145-99-746-0843	B	SHIPPING AND STORAGE CONTAINER Note:- For spares details refer to Chapter 2-1-8-1	SDO/265660	1		
4	A	Z1	5820-99-652-7024	B	TRANSMITTER-RECEIVER, RADIO (ORU) Note:- For spares details refer to Chapter 2-1-1	SD1/ 265509 Storno 10.1305C- 00 CQP800- 7462 7462-2-1	2		
5	A	Z1	5820-99-653-0942	B	CASE, TRANSMITTER- RECEIVER (ORU Satchel)	MOD(PE) SCRDE AO/6800	2		
6	A	Z42	5965-99-652-7025	B	CABLE ASSEMBLY-SWITCH, ELECTRICAL (Special Pressel, ORU) Note:- For spares details refer to Chapter 2-1-2	SD1/ 265289	2		
7	A	Z99	5965-99-620-8320	B	HEADSET-MICROPHONE magnetic type; 300 ohms w/cord and plug Note:- For spares details refer to IPC Army Code 61203	SD/ D229880	1		

Fig-Item	Man Code		NATO Stock No.	Indent	Item Name and Description	Part No/ Drawing No.	No. off	Annotations	
	Navy -N	Army -A RAF -R						Class of Store and Serv. Line	CCT Ref.
1-8	A	Z1	5820-99-656-0309	B	CONTROL RADIO UNIT (CRU) Note:- For spares details refer to Chapter 2-1-3	SDO/ 265494	1		
9	A	Z1	5820-99-656-0310	B	PORTABLE CONTROL POINT UNIT (PCPU) Note:- For spares details refer to Chapter 2-1-4	SDO/ 265504	1		
10	A	Z1	5820-99-653-0943	B	CASE, CONTROL (CRU and PCPU Satchel) laminated nylon cloth with rubber interply webbing straps	MOD(PE) SCRDE AO/6790	1		
11	A	Z42	5985-99-656-4881	B	ANTENNA whip fixed: 400-470MHz	90.0303- 01 AN862A			
12	A	Z9	6140-99-649-1665	B	BATTERY ASSEMBLY Note:- Two each used w/ORU, CRU and PCPU and also LSAU and VCPU (part of Installation Kit)	Storno 10.2840- 00 BU803	16		
13	A	Z99	5965-99-620-5670	B	HANDSET (Remote Control) Note:- For spares details refer to IPC Army Code 61216	SD/ C242233	1		
14	A	Z99	5965-99-620-5669	B	HANDSET (General Purpose) w/switch, w/cord terminated w/7 pole plug Note:- For spares details refer to IPC Army Code 61208	SD/ C242200	1		

Fig-Item	Man Code Navy -N Army -A RAF -R	NATO Stock No.	Indent	Item Name and Description	Part No/ Drawing No.	No. off	Annotations	
							Class of Store and Serv. Use	CCT Ref.
1-15	A	Z99	5965-99-661-6093	B	CABLE ASSEMBLY-SWITCH ELECTRICAL (Clansman Pressel)	SD/ C246348	1	
					Note: For spares details refer to IPC Army Code 61211			
16	A	Z42	5995-99-652-7737	B	CABLE ASSEMBLY, SPECIAL PURPOSE, ELECTRICAL (PCFU-Tape Recorder)	SD2/ 265350	1	
					Note: For spares details refer to Chap 2-1-6			
17	A	Y1	5835-99-652-7673	A	RECORDER-REPRODUCER, SOUND (Tape Recorder, Modified) Chap 2-1-5 OR	SD1/ 265310	1	
18	A	Z1	5820-99-769-1396	A	MODIFICATION CASSETTE RECORDER	SD/AO/ 268400PD	1	
					Note: For spares details refer to Chap 2-1-5-1 OR			
19			5835-99-783-4284	A	RECORDER-REPRODUCER, SOUND Complete with two brackets, five screws and ten washers Chap 2-1-5-2	SDO/ 268430PD	1	
20	A	Y1	5835-99-009-9987	B	CASSETTE, MAGNETIC TAPE	Phillips C90	3	
					Note: 1 in recorder 2 spare			
21	A	Y3	6135-99-910-1132	B	BATTERY, DRY 1.5V; cap and flat surface type; 48mm lg, 25mm dia	Ever- Ready U11 DEF Stan 61-3 pt.2	12	
					Note: 6 used in recorder and 6 spare			

Fig Item	Man Code Navy - N Army - A RAF - R	NATO Stock No.	Ident	Item Name and Description	Part No/ Drawing No.	No. off	Annotations	
							Class of Store and Serv. Line	CCT Ref.
22	A Y1	5835-99-653-0945	B	CASE, SOUND RECORDER REPRODUCER (Tape Recorder Satchel) laminated nylon cloth with rubber interply webbing straps 11" x 8 $\frac{1}{2}$ " x 3 $\frac{3}{4}$ " o/a dims. used with item 17	MOD(PE) SCRDE AO/6780	1		
1-23	A Y1	5820-99-774-2981	B	CASE, SOUND RECORDER REPRODUCER used with item 18	AO/7853	1		
24	A	5820-99-787-0278		CASE, SOUND RECORDER REPRODUCER used with item 19	SDO/ 268435PD	1		
25	A Z1	5820-99-621-9027	B	KIT, MAST (Antenna Support 5.4m) Notes:- For spares details refer to IPC Army Code 61524	SD/ A244008	1	1	
26	A Z42	5985-99-652-7749	B	ANTENNA elevated ground plane type; fixed	SD4/ 246535 Panorama GPX2-N-D-U58-FXU-430	1	1	
27	A Z42	5995-99-652-7671	B	CABLE ASSEMBLY, RADIO FREQUENCY (Remote Antenna Connection) Note:- For spares details refer to Chapter 2-1-7	SD2/ 265352	1	1	
28 NI	A Y3	8130-99-115-8152	B	DISPENSER, COIL (For DIO Cable)	MOD EQD IT/ B229729	1		
29 NI	A	6130-99-637-0733		BATTERY CHARGER	STORNO CU802	1		
30 NI		5820-99-643-9059		OR BATTERY CHARGER	STORNO CU805			
31 NI		6625-99-653-2095		TEST SET, BATTERY 0 to 12 volt	STORNO S1804-7494	1		

Chapter 2-1-1

PARTS LIST

TRANSMITTER-RECEIVER, RADIO
(ORU ASSEMBLY)

Z1/5820-99-652-7024

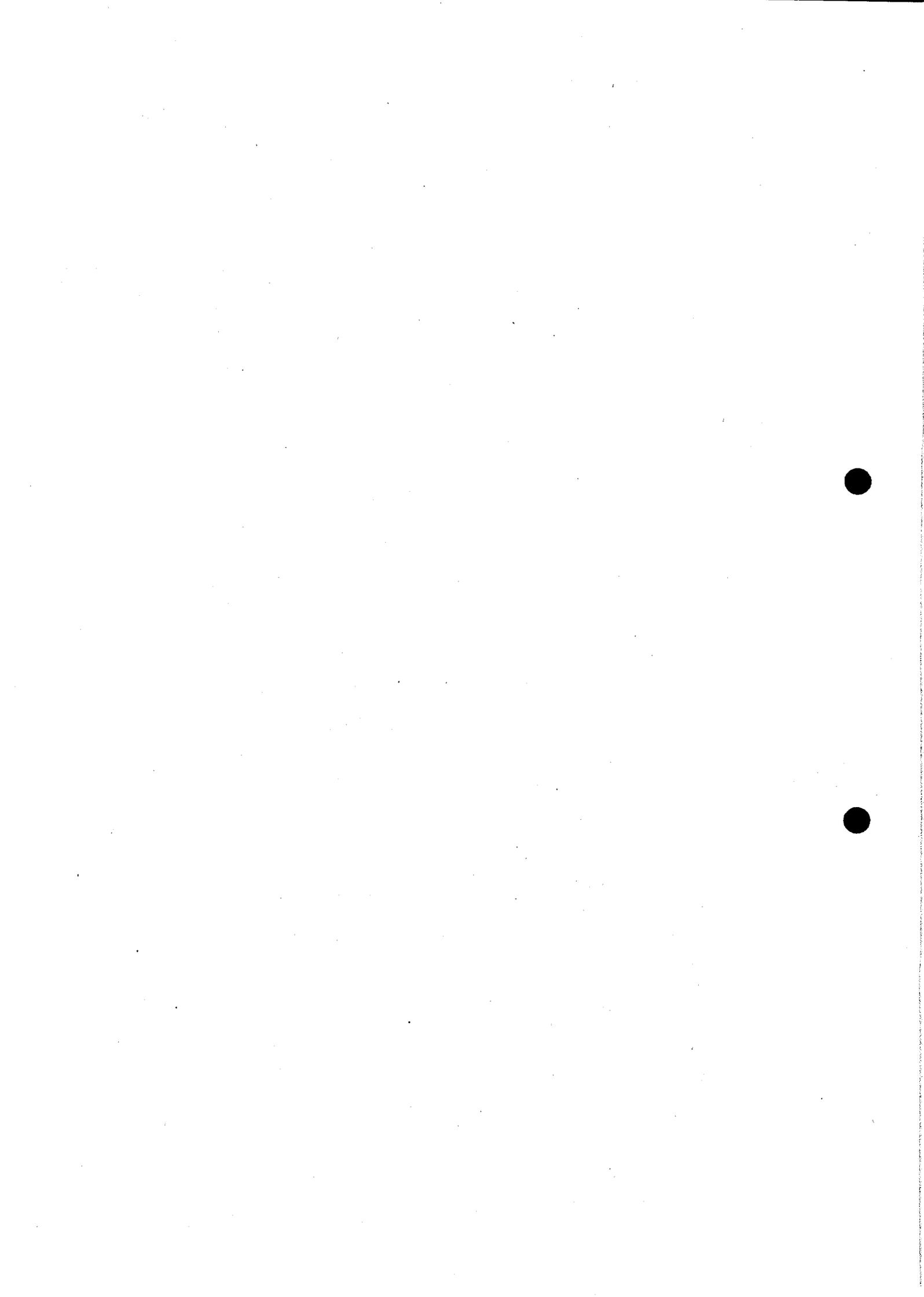
(G.A. Drawing No. SD1/265509(7462-2-1))

(Circuit Diagram No. N/A)

NOTE:-

Unless otherwise stated
all part nos. in this Chapter
refer to STORNO LTD, CAMBERLEY,
SURREY







RESTRICTED

5820-F-300-711

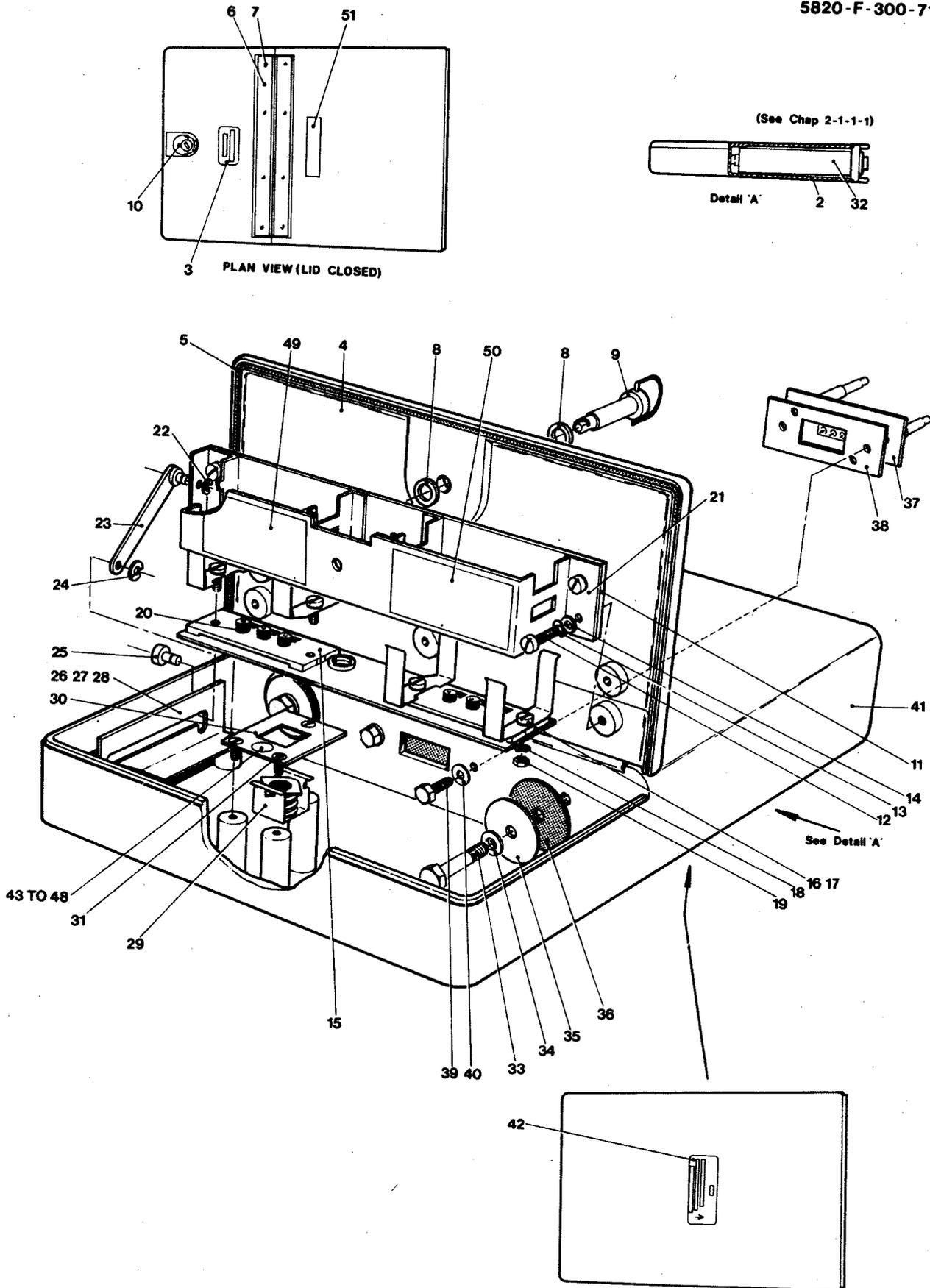


FIG. 1 TRANSMITTER-RECEIVER, RADIO (ORU Assembly)

RESTRICTED

Chapter 2-1-1

PARTS LIST

TRANSMITTER-RECEIVER, RADIO (ORU Assembly) Z1/5820-99-652-7024

Fig-Item	Man Code Navy - N Army - A RAF - R		NATO Stock No.	Indent	Item Name and Description	Part No/ Drawing No.	No. off	Annotations	
								Class of Store and Serv. Line	CCT Ref.
1	A	Z1	5820-99-652-7024	A	TRANSMITTER-RECEIVER, RADIO (ORU Assembly)	SD1/ 265509 7462-2-1	Ref		
1-2	A	Z1	5820-99-656-1818	B	HOUSING, OPERATORS RADIO UNIT ASSEMBLY Polycarbonate: 305 mm lg; 223 mm W; 53 mm h; colour black.	SD0/ 265511 7462-2-3 10.1306C- 00	1		
3			NP	C	label, battery access	SD4/ 265563 7462-8-36 51.0837C- 00	1		
4	A	Z1	5820-99-653-0166	C	COVER, BATTERY BOX plastics; 216.40mm lg, 120.50mm w, 9.80mm h	SD1/ 265525 7462-8-9 12.0181C- 00	1		
5	A	Z1	5820-99-658-3183	C	RUBBER ROUND SECTION synthetic; cellular; 3mm dia.	32.0430C- 00 Sorbo N60045	AR		
6	A	Z1	5340-99-653-5240	C	HINGE, FLEXIBLE nylon; black; 196mm lg 38mm w	SD3/ 265529 7462-8-13 37.0094C- 00	1		

Fig. Item	Man Code Navy - N Army - A RAF - R		NATO Stock No.	Indent	Item Name and Description	Part No/ Drawing No.	No. off	Annotations	
								Class of Store and Serv. Line	CCT Ref.
1-7	A	G1	5305-99-977-2595	Z	SCREW, TAPPING THREAD FORMING steel; UNC: Pan hd; cross recess drive; zinc plated; No. 8 by 1/2" lg.	GKN LTD 4500-137- 8 UNC 1-2 IN LG.	8		
8	A		5310-99-768-4194	C	WASHER FLAT Plastic, 6 mm id; 12.5 mm o.d, 0.5 mm thk	326-100- 040	2		
9	A		5310-99-768-4195	C	STUD, TURNLOCK FASTENER steel; zinc plated and passivated; loop on flat fillister hd; 7/16in dia max; 3/4in lg engaging surface	DZUS 316-421- 191	1		
10	A	Z1	9905-99-653-5238	C	PLATE, INSTRUCTION aluminium alloy; inscribed UNLOCK with curved arrow; 25mm dia 0.50mm thk; stick on	SD3/ 265556 7462-8-32 51-0872C- 00	1		
11	A	Z1	6140-99-658-1375	C	BATTERY BRACKET ASSEMBLY stainless steel; 7- 3/8in. lg, 1-5/16in. w 1-5/16in. h o/a dims.	SD2/ 265549 7462-2-9 10.1350C- 00	1		
12		G1	5305-99-135-8712	Z	SCREW, MACHINE ISO metric; corrosion resistant steel; pan hd; slot drive; 3mm by 6mm lg; class 6g thd	BS4183 28.0201C- 00	5		
13	A	Z1	5310-99-631-6269	Z	WASHER, SPRING TENSION corrosion resistant steel; 3mm nom bolt size; 6mm od, 1.3mm o/a h	2450- 060032	5		
14	A	G1	5310-99-136-2749	Z	WASHER, FLAT corrosion resistant steel; 3mm nom bolt size, 7mm od, 0.5mm thk	BS 4320 form A 2408- 203032	5		

TRANSMITTER-RECEIVER, RADIO (ORU Assembly) Z1/5820-99-652-7024

Fig-Item	Man Code Navy -N Army -A RAF -R		NATO Stock No.	Indent	Item Name and Description	Part No/ Drawing No.	No. off	Annotations	
								Class of Store and Serv. Line	CCT Ref.
15	A	Z1	5820-99-653-0178	D	PANEL, ELECTRONIC CIRCUIT (Battery PCB Assembly)	SD2/ 26555 7462-6-2 10.1349C- 00	1		
16	A	G1	5305-99-136-5665	Z	SCREW, MACHINE ISO metric; corrosion resistant steel; pan hd; slot drive; 3mm by 8mm lg; class 6g thd	BS 4183 28.0202C- 00	4		
17	A	Z1	5310-99-136-2749	Z	WASHER, FLAT corrosion resistant steel; 3mm nom bolt size; 7mm od, 0.5mm thk	BS 4320 form A	4		
18	A	Z1	5310-99-631-6269	Z	WASHER, corrosion resistant steel; 3mm nom bolt size, 6mm od, 1.3mm o/a h	2450- 060032	4		
19	A	G1	5310-99-136-4875	Z	NUT, PLAIN, HEXAGON ISO metric; corrosion resistant steel; chamfered bearing surface; 3mm by 5.5mm w A/F; 2.4mm o/a h	BS 3692 29.0235C- 00	4		
20	A	Z1	5360-99-652-7303	E	SPRING, HELICAL, COMPRESSION corrosion resistant steel; 7 turns total; 6.4mm od, 11mm free lg	36.0116- 00 K13148	6		
21	A	Z1	6140-99-653-0177	D	RETAINER, BATTERY stainless steel; 190mm by 30mm by 35mm o/a dim. retains two secondary batteries	SD3/ 265521 7462-8-5 330287C- 00	1		
22	A	Y1	5365-99-114-5294	Z	RING, RETAINING steel; circlip; external; 0.125in id	24.0138C- 00 salterfix 5133-12	1		

RESTRICTED

5820-F-300-711

ARMY EQUIPMENT
SUPPORT PUBLICATIONS

Fig-Item	Man Code		NATO Stock No.	Indent	Item Name and Description	Part No/ Drawing No.	No. off	Annotations	
	Navy -N	Army -A						RAF -R	Class of Store and Serv. Line
23	A	Z1	5820-99-653-5239	C	HINGE LOCKING ARM, RIVETTED corrosion resistant steel; 63mm lg, 8.50mm 8mm h	SD4/ 265523 7462-8-7 11.2395C- 00	1		
24	A	Z1	5365-99-658-4588	Z	RING, RETAINING steel; circlip; ext; 1/8" id; 1/32" thk; to fit shaft 3/16" od.	24.0139C- 00 Salterfix 5133X-18	1		
25	A	Z1	5315-99-658-3742	C	PIN, GROOVED, HEADED steel corrosion resist resistant; flat fillester hd, 4.80 mm dia, 7.00 mm o/a lg.	SD4/ 265526 7462-8-10 29.0224C- 00	1		
26	A	Z1	5820-99-653-0167	C	PLATE, HINGE LOCKING corrosion resistant steel; 80mm lg, 23mm lg, 12mm h	SD3/ 265522 7462-8-6 11.2397C- 00	1		
27	A	G1	5305-99-136-5665	Z	SCREW, MACHINE ISO metric; corrosion resistant steel; pan hd; slot drive; 3mm by 8mm lg; class 6g thd	BS 4183 28.0202C- 00	2		
28	A	Z1	5310-99-631-6269	Z	WASHER, corrosion resistant steel; 3mm nom bolt size, 6mm od, 1.3mm o/a h	2450- 060032	2		
29	A		5325-99-768-4196	C	RECEPTACLE, TURNLOCK FASTENER DZUS	336-200- 190	1		
30	A	Z1	5325-99-768-4192	C	DZUS RECEPTACLE PLATE steel: 40 mm lg, 30 mm W, 1.5 mm thk; hole 9.5 mm square; 3 mm x 6 mm dia csk holes.	SD3/ 265530 7462-8-14 11.2396C- 00	1		
31	A	G1	5305-99-135-8696	Z	SCREW, MACHINE ISO metric; corrosion resistant steel; flat csk hd; slot drive; 3mm by 8mm lg; class 6g thd	BS 4183 28.0221C- 00	3		

Fig-Item	Man Code Navy -N Army -A RAF -R		NATO Stock No.	Incident	Item Name and Description	Part No/ Drawing No.	No. off	Annotations	
								Class of Store and Serv. Line	CCT Ref.
32	A	Z1	5820-99-656-1819	B	TRANSMITTER-RECEIVER SUBASSEMBLY (Radio Compartment Assy) Note:- For spares details refer to Chapter 2-1-1-1	SD0/ 265510 7462-2-2 10.1307C- 00	1		
33	A	Z1	5306-99-653-0173	Z	BOLT, EXTERNALLY RELIEVED BODY ISO metric; corrosion resistant steel; hex hd; 5mm by 0.8mm pitch; 24.60mm lg; scr 9mm	SD3/ 265533 7462-8-17 28.0185C- 00	2		
34	A	Z1	5310-99-653-0174	Z	WASHER, FLAT plastics; rd; rd hole; 4.50mm id, 10mm od. 1mm thk.	SD4/ 266534 7462-8-18 32.0421C- 00	2		
35	A	G1	5310-99-764-9015	Z	WASHER, FLAT corrosion resisting steel; rd hole; 5.40mm id, 25.00mm od, 1,20mm (18 SWG) thk.	SD4/ 265572 7462-8- 50	2		
36	A	Z1	5330-99-764-9016	Z	GASKET rubber (neoprene) rd shape; 25.00mm od, 3.50mm id, 1.00mm thk.	SD4/ 265573 7462-8- 53	2		
37	A	Z32	5935-99-653-0172	C	CONNECTOR (HERMETIC ASSEMBLY) comprising connector 15 way connector plate 58mm lg, 26mm W, 20mm h.	SD3/ 265515 7462-2-7 41.5593C- 00	1		
38	A	Z1	5330-99-658-4446	C	GASKET rubber; rect. shape; 58mm lg, 26mm w, 1mm thk; 65 deg. to 74 deg hardness rating	SD3/ 265532 7462-8-16 32.0420C- 00	1		
39	A	G1	5305-99-624-8040	Z	SCREW, MACHINE hex, M3 x 12mm, cres, class 6g thd	BSI BS3692			

Fig-Item	Man Code Navy -N Army -A RAF -R	NATO Stock No.	indent	Item Name and Description	Part No/ Drawing No.	No. off	Annotations	
							Class of Store and Serv. Line	CCT Ref.
40	A	6MT1	5330-99-832-5183	Z	GASKET steel/synthetic rubber rd; 3.6mm id, 7.5mm os, 1mm cross-sect.	32.0285C- 00 Dowty Seals 400-301- 4490-02	2	
41	A	Z1	5820-99-653-0165	C	CASE, TRANSMITTER- RECEIVER plastics; 305mm by 223mm by 52mm o/a dim.	SDO/ 265524 7462-8-8 120180C- 00	1	
42			9905-99-768-4193	C	PLATE, DESIGNATION aluminium alloy; rect; pressure sensitive adhesive; 75mm lg; legend ORU, NSN 5820- 99-652-7024, SERIAL No. SLTD/--/----, broad arrow symbol	SD4/ 265564 7462-8- 37 51.0900C- 00	1	
43			NP	C	label, frequency ident Red 1	51.0906C-	2	
44			NP	C	label, frequency ident Red 2	51.0909C-	2	
45			NP	C	label, frequency ident Yellow 1	61.0907C-	2	
46			NP	C	label, frequency ident Yellow 2	51.0910C-	2	
47			NP	C	label, frequency ident Blue 1	51.0908C-	2	
48			NP	C	label, frequency ident Blue 2	51.0911C-	2	
49	A	Z1	7690-99-764-9014	C	LABEL plastics (vinyl); rect; gummed; 60.00mm lg, 30.00mm W, printed inscription: Torque tighten pull down bolts to 15/20 lbs ins.	SD4/ 265571 7462-8- 52	1	

Note:- Items 43 to 48
incl. affixed to
indicate designated
frequency plan

TRANSMITTER-RECEIVER, RADIO (ORU Assembly) Z1/5820-99-652-7024

Fig-Item	Man Code Navy -N Army -A RAF -R		NATO Stock No.	Indent	Item Name and Description	Part No/ Drawing No.	No. off	Annotations	
								Class of Store and Serv. Line	CCT Ref.
50	A	Z1	7690-99-764-9013	C	LABEL plastics (vinyl); rect; gummed; 60.00mm lg, 30.00mm W, printed inscription, attention replace front panel seal 32.0417C-01, NSN 5330-99-658-5243	SD4/ 265570 7462-8- 51	1		
51	A	Z1	7690-99-764-9012	C	LABEL - Paper; rect; gummed; 65.00mm lg; 21.00mm W; printed inscription: set dried; fitted with dessicant & sealed. Date....	SD4/ 265566 7462-8- 40	1		



Chapter 2-1-1-1

PARTS LIST

**TRANSMITTER-RECEIVER SUBASSEMBLY
(Radio Compartment Assy)**

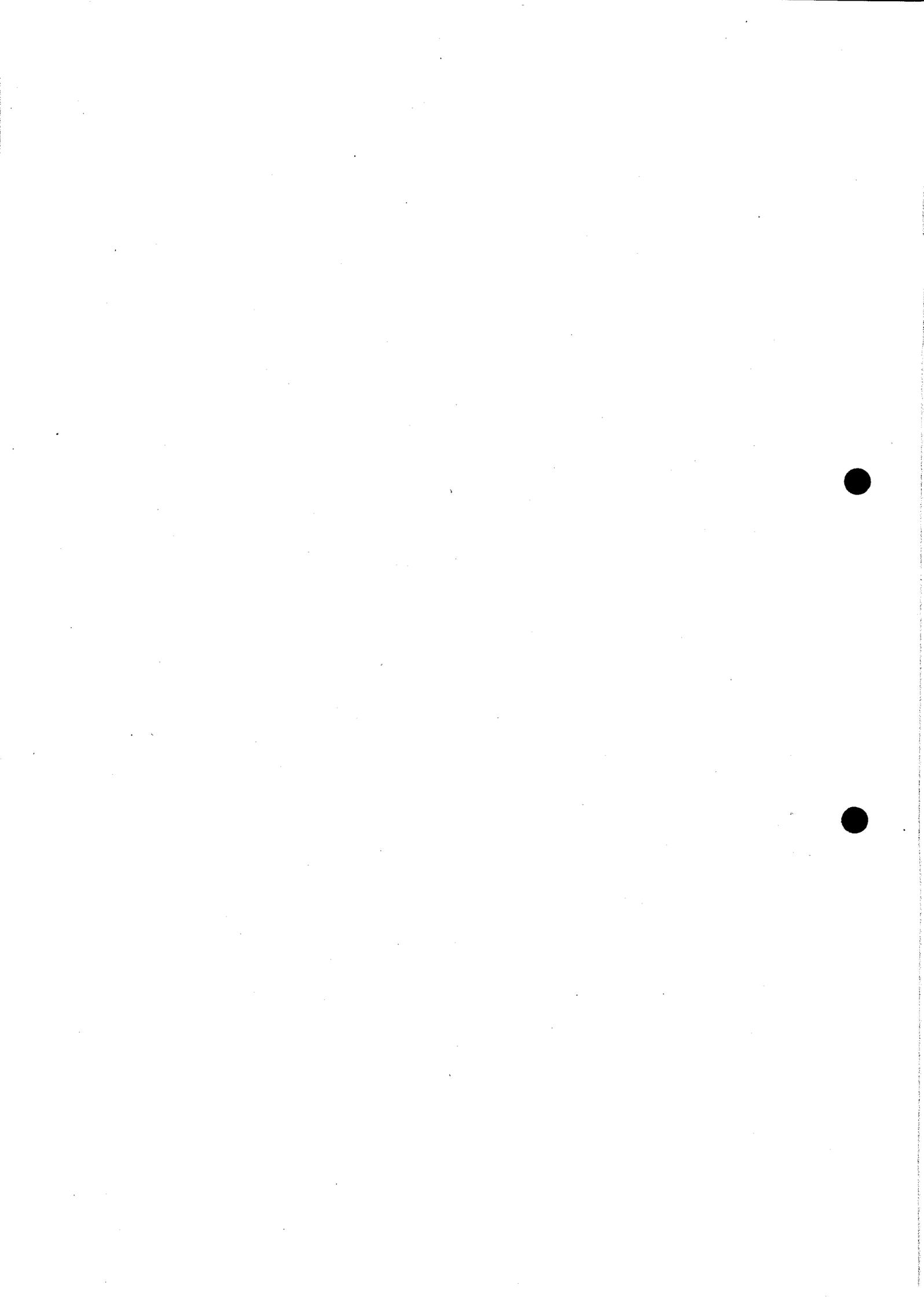
Z1/5820-99-656-1819

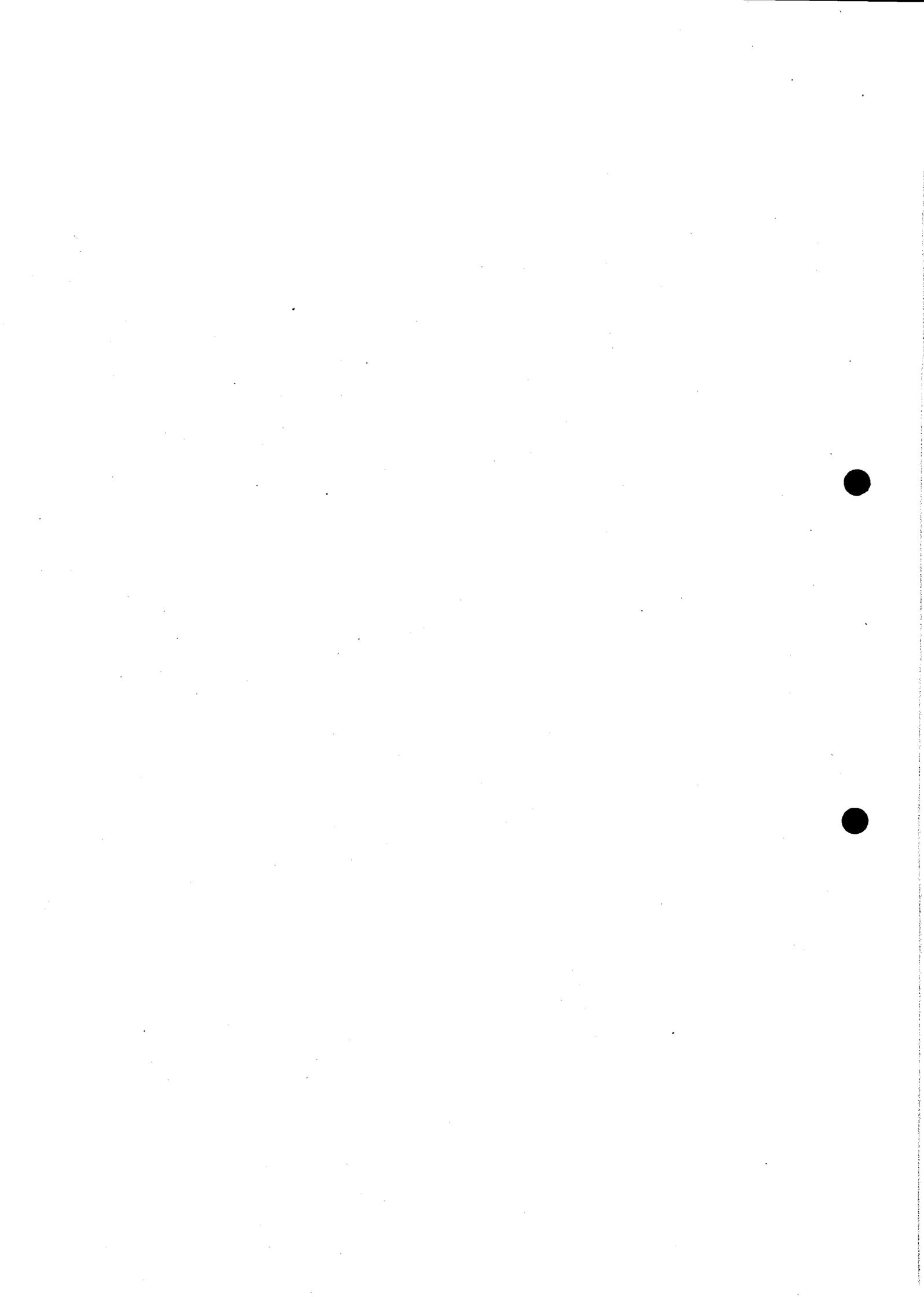
(G.A. Drawing No. SDO/265510 (7462-2-2))

(Circuit Diagram No. N/A)

NOTE:-

All Part nos. in this Chapter
unless otherwise stated refer
to STORNO LTD., CAMBERLEY,
SURREY







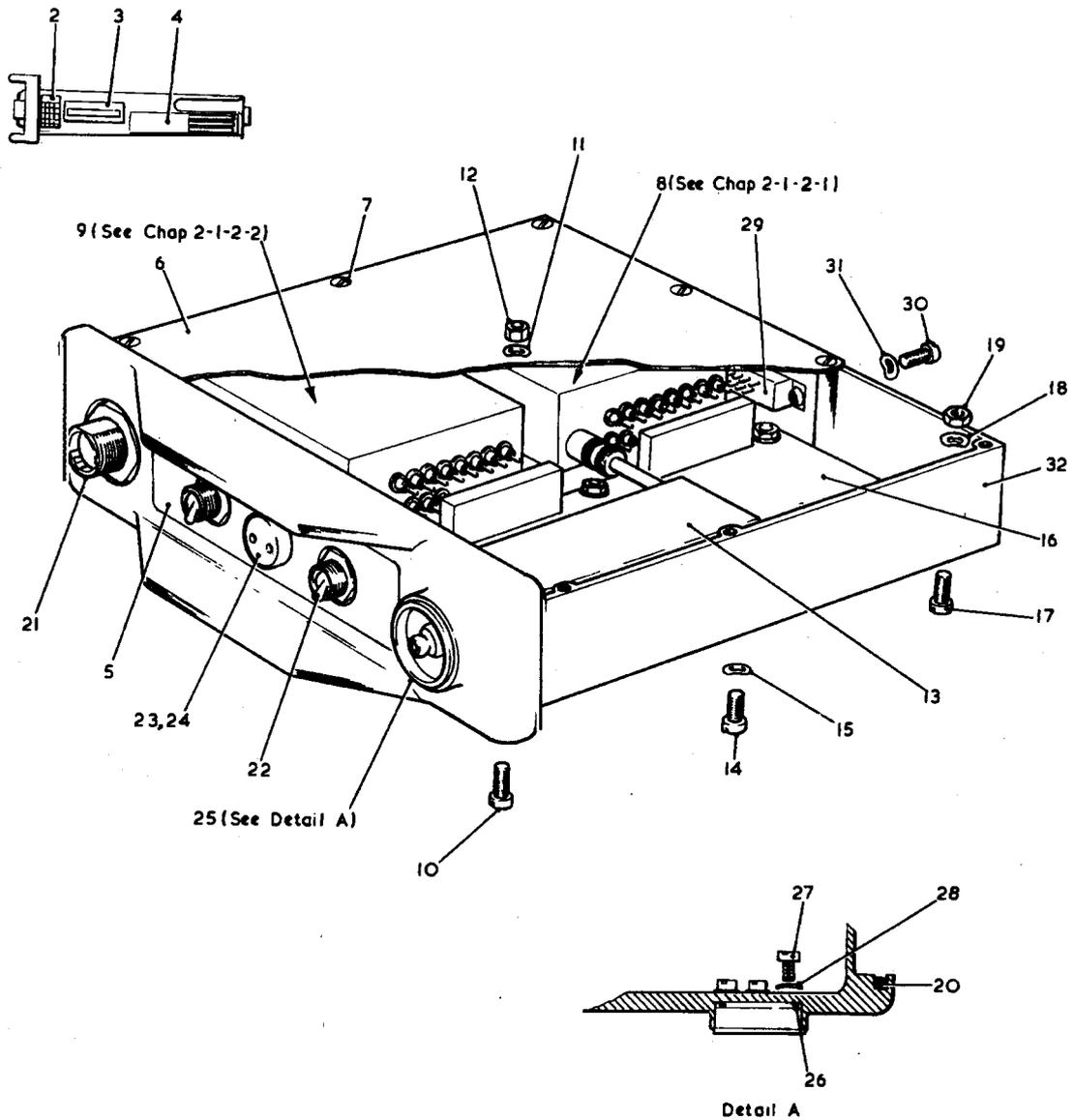


FIG.1 TRANSMITTER-RECEIVER SUBASSEMBLY
(Radio Compartment Assy.)

Chapter 2-1-1-1

PARTS LIST

TRANSMITTER-RECEIVER SUBASSEMBLY (Radio Compartment Assy) Z1/5820-99-656-1819

Fig-Item	Man Code Navy - N Army - A RAF - R		NATO Stock No.	Incident	Item Name and Description	Part No/ Drawing No.	No. off	Annotations	
								Class of Store and Serv. Line	CCT Ref.
1	A	Z1	5820-99-656-1819	A	TRANSMITTER-RECEIVER SUBASSEMBLY (Radio Compartment Assy)	SDO/ 265510 7462-2-2 10.1307C-00	Ref		
1-2	A	Z1	9905-99-635-5392	B	PLATE, MODIFICATION RECORD aluminium; 22mm lg, 15mm w, 0.15mm thk; pressure sensitive	51.0388C-00 JK600-201	1		
3	A	Z1	9905-99-635-5393	B	PLATE, IDENTIFICATION (NATO Stock no.)	51 0365C-00 JK600-127	1		
4	A	Z1	9905-99-653-5244	B	PLATE, IDENTIFICATION aluminium; rect; black background; silver inscription; inscribed w/mfr name and address and TYPE, SPEC no. 91mm lg, 17.5mm w, 26 SWG thk	51.0212C-01 JK200-00	1		
5	A	Z1	9905-99-653-5237	B	PLATE, IDENTIFICATION aluminium alloy; rectangular; black background; silver inscription; inscribed STORNO, DUPLEX, PTT ON-OFF, HEADGEAR; 106mm lg, 30mm w, 0.50mm thk	SD3/ 265519 7462-8-3 51.0856C-00	1		

RESTRICTED

5820-F-300-711

ARMY EQUIPMENT
SUPPORT PUBLICATIONS

Fig-Item	Man Code		NATO Stock No.	Indent	Item Name and Description	Part No/ Drawing No.	No. off	Annotations	
	Navy -N	Army -A						RAF -R	Class of Store and Serv. Line
1-6	A	Z1	5820-99-653-0163	B	COVER PLATE, ACCESS aluminium alloy; 202mm lg, 168.50mm, 1.50mm thk	SD2/ 265518 7462-8-2 11.2383C-00	1		
7	A	G1	5305-99-137-3672	Z	SCREW, MACHINE ISO metric; corrosion resistant steel; flat csk hd; slot drive; 2.5mm by 6mm lg; class 6g thd	BS 4183 28.0217C-00	8		
8	A	Z1	5820-99-653-2118 (NP)	B	TRANSMITTER, RADIO Note:- For spares details refer to Chapter 2-1-1-1	SD3/ 265512 7462-2-4 10.1339C-00 TX8603-7462	Ref		
9	A	Z1	5820-99-653-2119 (NP)	B	RECEIVER, RADIO Note:- For spares details refer to Chapter 2-1-1-2	SD3/ 265513 7462-2-5 10.1340C-00 RX8064-7462	Ref		
10	A	G1	5305-99-622-9134	Z	SCREW, MACHINE ISO metric; corrosion resistant steel; pan hd; slot drive; 2.5mm by 8mm lg; class 6g thd	BS 4183 28.0197C-00	8		
11	A	Z1	5310-99-631-6268	Z	WASHER, SPRING TENSION cres; 2.6mm nom bolt size; 4.8mm od, 1.1mm h o/a	2450-048027	8		
12	A	G1	5310-99-138-3263	Z	NUT, PLAIN, HEXAGON ISO metric; corrosion resistant steel; full bearing surface; 2.5mm by 5mm w A/F; 1.60mm h o/a	BS 4183 29.0234C-00	8		

TRANSMITTER-RECEIVER SUBASSEMBLY (Radio Compartment Assy) Z1/5820-99-656-1819

Fig-Item	Man Code Navy -N Army -A RAF -R		NATO Stock No.	Indent	Item Name and Description	Part No/ Drawing No.	No. off	Annotations	
								Class of Store and Serv. Line	CCT Ref.
1-13	A	Z32	5915-99-653-5242	B	FILTER, BRANCHING	SD2/ 265514 7462-2-6 10.1341C- 00 BF862- 7462	1		
14	A	G1	5305-99-138-3873	Z	SCREW, MACHINE ISO metric; corrosion resistant steel; pan hd; slot drive; 2mm by 8mm lg	BS 4183 28.0189C- 00	5		
15	A	Z1	5310-99-631-6267	Z	WASHER, SPRING TENSION cres; 2mm nom bolt size; 4.5mm od, 1mm o/a h	2450- 045022	5		
16	A	Z1	5820-99-653-0834	B	PANEL, ELECTRONIC CIRCUIT (Common Functions Board) 6-1/2in. by 6-1/2in. by 7/16in. o/a dim.	SD1/ 265516 7462-6-1 10.1303C- 00 CF800- 7462	1		
17	A	G1	5305-99-651-3283	Z	SCREW, MACHINE ISO metric; corrosion resistant steel; pan hd; slot drive; 2.5mm by 12mm lg; class 6g thd	BS 4183 28.0199C- 00	8		
18	A	Z1	5310-99-631-6268	Z	WASHER, cres; 2.6mm bolt size; 4.8mm od, 1.1mm o/a h	2450- 048027	8		
19	A	G1	5310-99-138-3263	Z	NUT, PLAIN, HEXAGON ISO metric; corrosion resistant steel; full bearing surface; 2.5mm by 5mm w A/F; 1.60mm h o/a	BS 4183 29.0234C- 00	8		

RESTRICTED

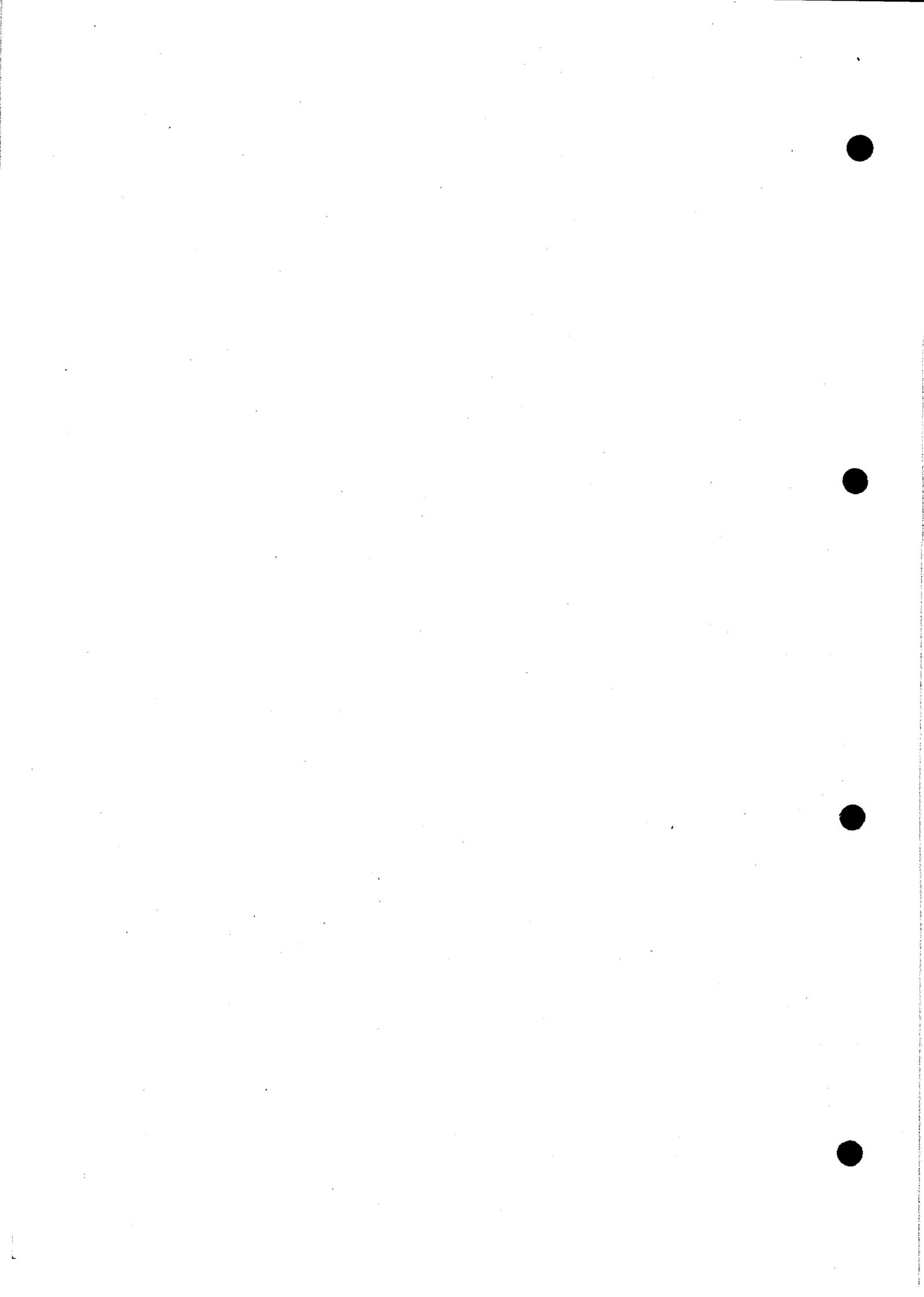
5820-F-300-711

ARMY EQUIPMENT
SUPPORT PUBLICATIONS

Fig-Item	Man Code Navy -N Army -A RAF -R		NATO Stock No.	Indent	Item Name and Description	Part No/ Drawing No.	No. off	Annotations	
								Class of Store and Serv. Line	CCT Ref.
1-20	A	Z1	5330-99-653-5243	B	RING, SEALING, TOROIDAL rubber; 158.43mm id; 2.62mm h; 50 deg.	SD3/ 265528 200-164- 4450	1		
21	A	Z32	5935-99-658-1393	B	CONNECTOR, FIXED, ELECTRICAL	SD3/ 265548 7462-2-8 41.5607C- 00	1		SK1
22	A	Z99	5930-99-626-3655	B	SWITCH, TOGGLE spdt; 1A at 50V ac/dc	SDB/ 224268/4 47.5269C- 00 NSF Ltd. 8866-K4SX	2		SW1 2
23	A	Z99	5365-99-626-4284	B	PLUG, SCREWED aluminium alloy; rd hd; 6mm by 1mm pitch ISO metric thd; class 6g thd; blue/black anodised finish	SD3/ 201070/OI 28.0192C- 00	1		
24	A	6MFI	5330-99-642-1866	B	RING, SEALING, TOROIDAL rubber; 8.10mm id, 1 6mm h; 51-60 deg BS and IRH hardness	BS 4518- 0081-16 Dowty Seals 202-510- 4450 32.0422C- 00	4		
25	A	Z42	5985-99-653-5241	B	ADAPTOR, ANTENNA TO ANTENNA BASE	SD3/ 265562 7462-2-10 41.5612C- 00	1		SK2

ARMY EQUIPMENT
SUPPORT PUBLICATIONS

Fig-Item	Man Code Navy -N Army -A RAF -R		NATO Stock No.	Incident	Item Name and Description	Part No/ Drawing No.	No. off	Annotations	
								Class of Store and Serv. Line	CCT Ref.
1-26				B	RING, SEALING, TOROIDAL	BS 4518-0191-16 Dowty Seals 202-521-4450 32.0424C-00	1		
27	A	Z1	5305-99-656-3220	Z	SCREW, MACHINE ISO metric; steel; flat fillister hd; slot drive; zinc plated and passivated; 1.4mm by 8mm lg; class 6h thd	20011-01408	3		
28	A	Z1	5310-99-640-0911	Z	WASHER, SPRING TENSION corrosion resistant steel; 1.4mm nom bolt size; 3mm od, 0.8mm o/a h	2450-030015	3		
29	A	Z32	5935-99-658-1165	B	CONNECTOR, PLATE ASSEMBLY, FLOATING corrosion resistant steel; 58mm lg, 26mm lg, 1.50mm thk.	SD3/ 265536 7462-8-20 41.5594C-00	1		SK8
30	A	G1	5305-99-136-5665	Z	SCREW, MACHINE ISO metric; corrosion resistant steel; pan hd; slot drive; 3mm by 8mm lg; class 6g thd	BS 4183 28.0202C-00	2		
31	A	Z1	5310-99-631-6269	Z	WASHER, SPRING TENSION cres; 3mm nom bolt size; 6mm od, 1.3mm o/a h	2450-060032	2		
32			NP	B	radio compartment casting	SD1/ 265517 7462-8-1 12.0179C-00	1		



Chapter 2-1-1-1-1

PARTS LIST

TRANSMITTER, RADIO
(ORU)

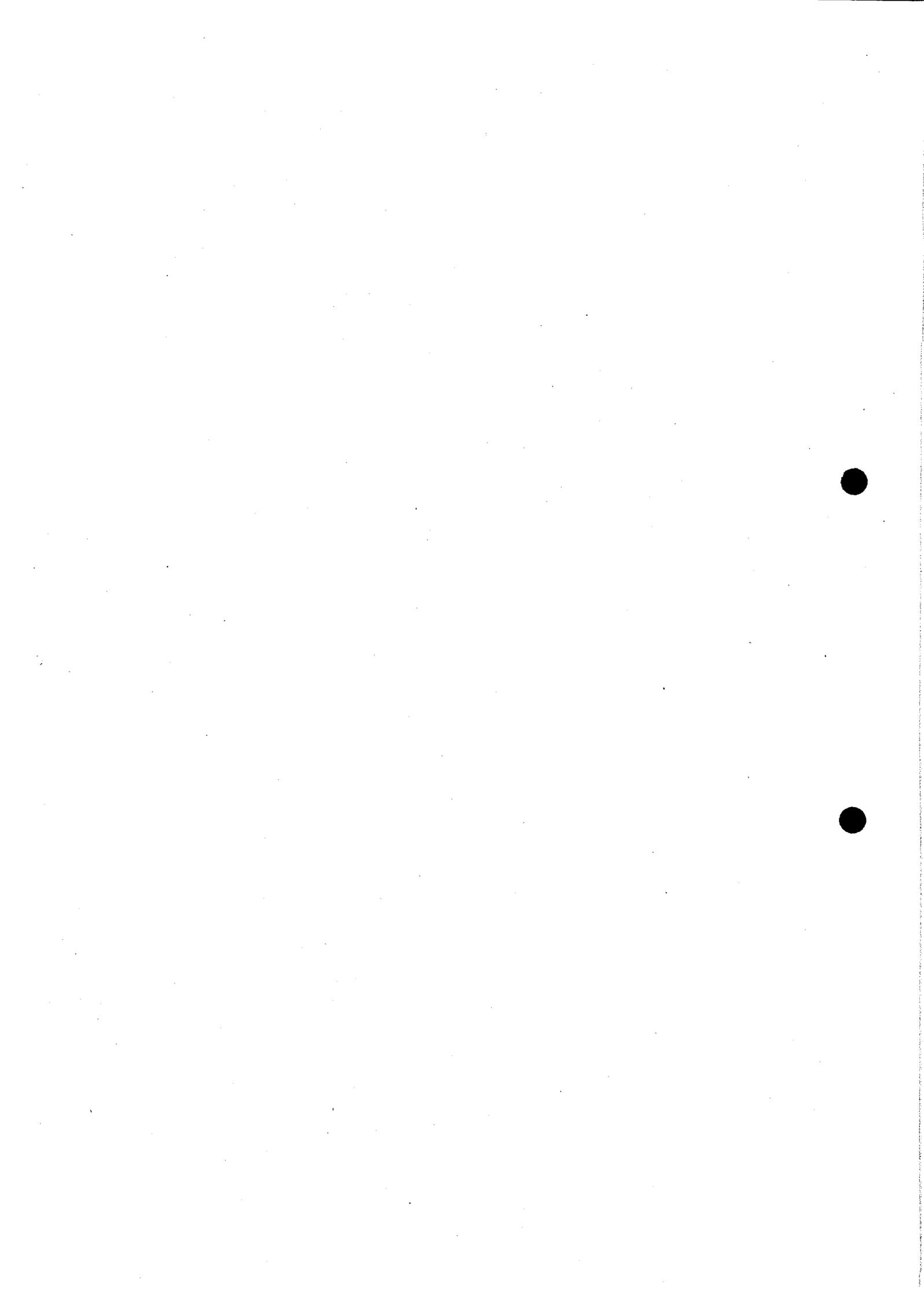
Z1/5820-99-653-2118

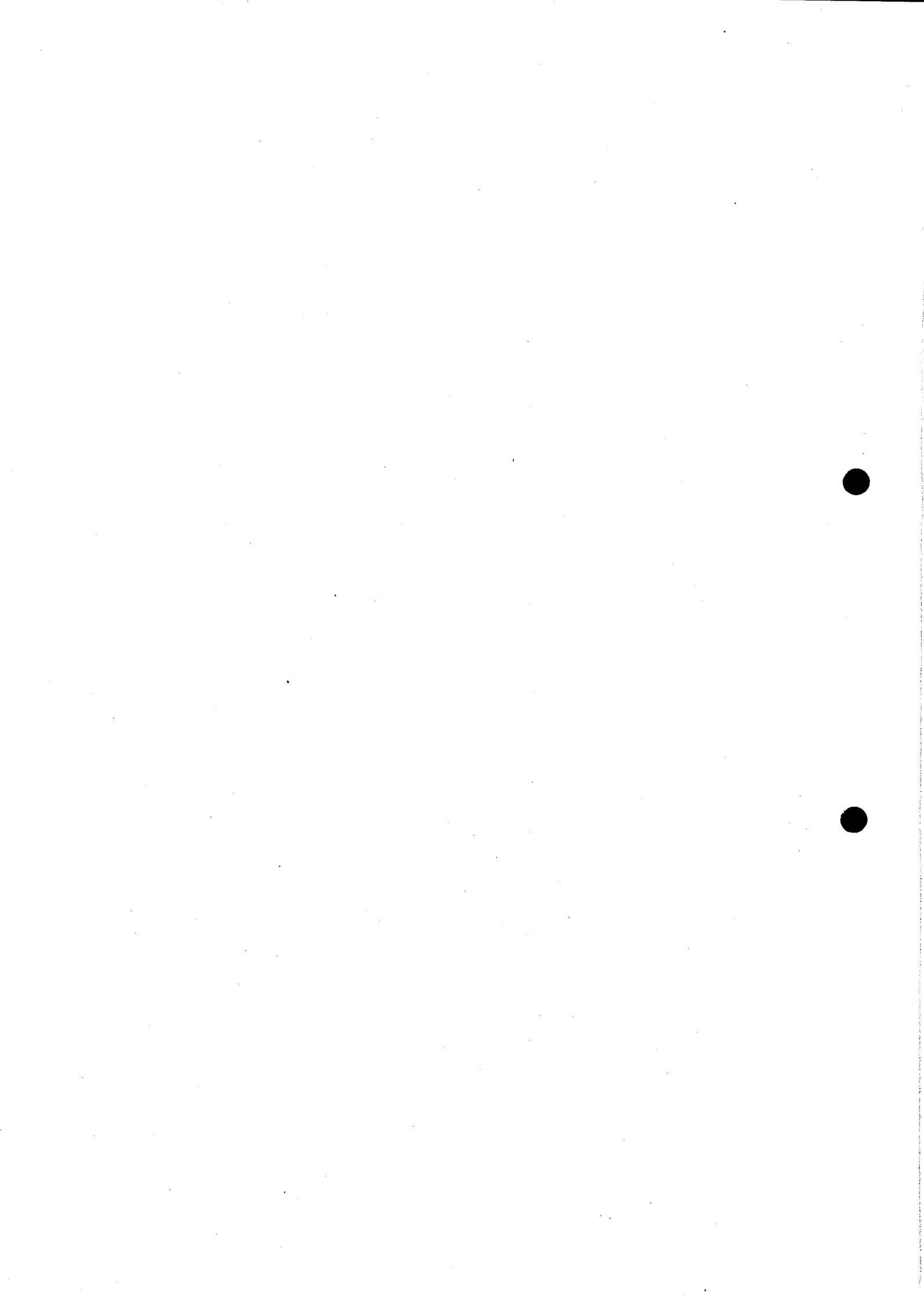
(G.A. Drawing No. SD3/265512)

(Circuit Diagram No. D402-476)

NOTE:-

All Part nos. in this Chapter
unless otherwise stated refer
to STORNO LTD., CAMBERLEY,
SURREY







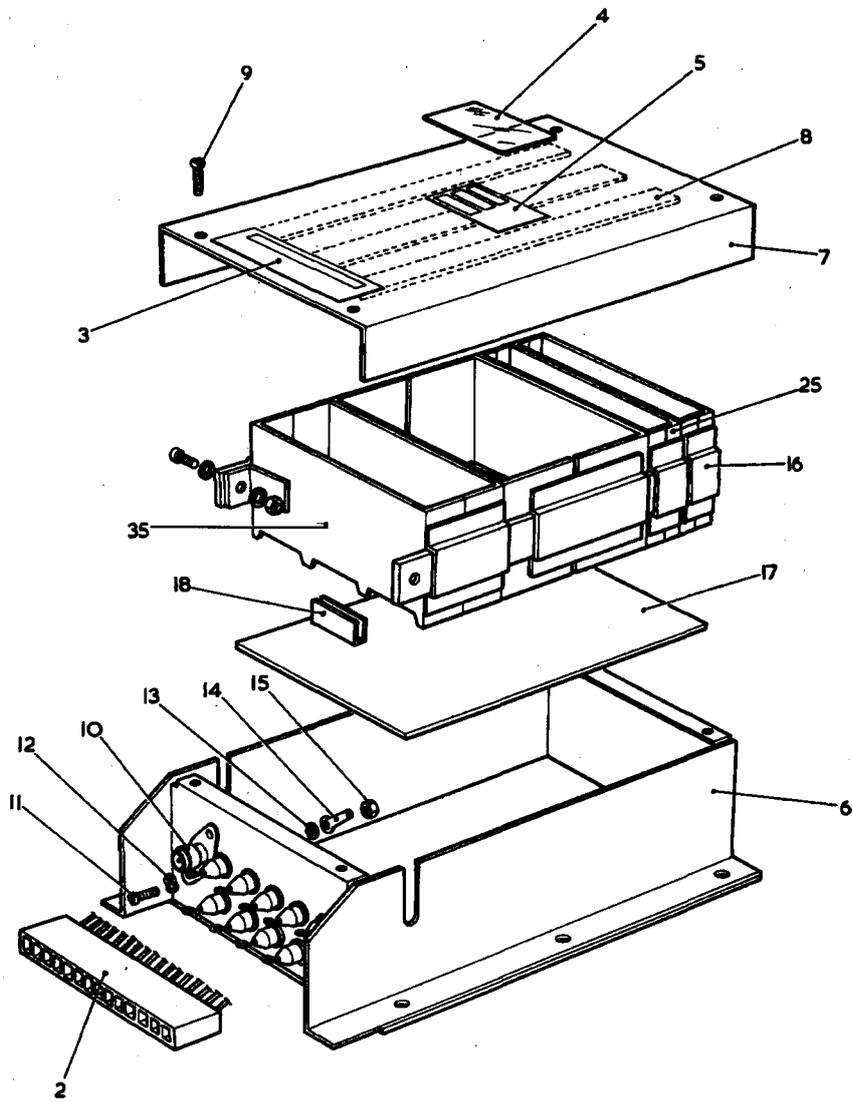


FIG. 1 TRANSMITTER, RADIO (ORU)



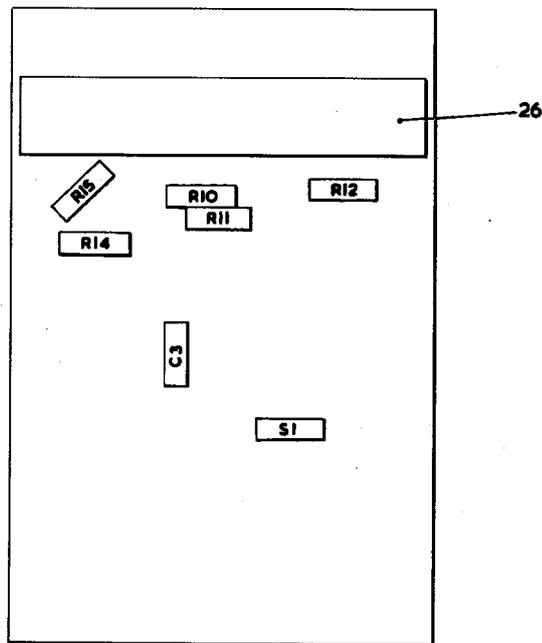
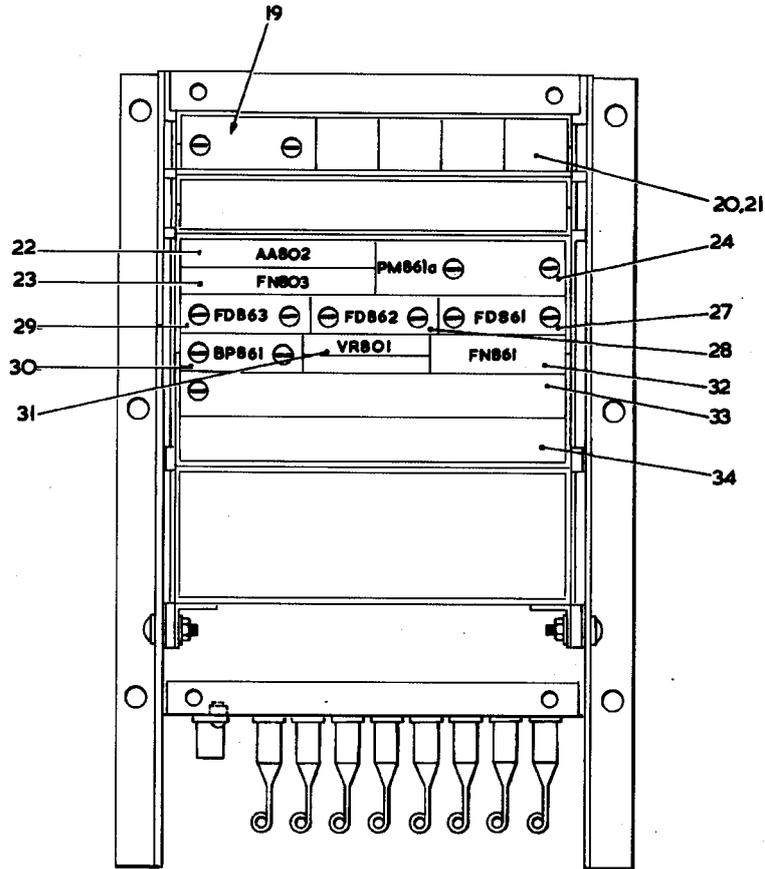


FIG.2

Chapter 2-1-1-1-1

PARTS LIST

TRANSMITTER, RADIO (ORU) Z1/5820-99-653-2118

Fig-Item	Man Code		NATO Stock No.	Indent	Item Name and Description	Part No/ Drawing No.	No. off	Annotations	
	Navy - N	Army - A						RAF - R	Class of Store and Serv. Line
1	A	Z1	5820-99-653-2118	A	TRANSMITTER, RADIO (ORU)	SD3/ 265512 TX8603- 7462 10.1399C- 00 7462-2-4	Ref		
1-2	A	Z1	5935-99-653-0170 (NP)	B	CONNECTOR, FREE, ELECTRICAL straight shape; 1-39/64in. lg, 9/16in. w, 3/32in. h; 1 mating end; 6 contacts	SD3/ 265554 19.7247C- 00 7462-7-2	1		SKT6
3	A	Z1	9905-99-635-5393	B	PLATE, IDENTIFICATION (Nato Stock no.)	51.0365C- 00	1		
4	A	Z1	9905-99-658-1319	B	DECAL (Label Cover)	51.0898- 00	1		
5	A			B	PLATE, IDENTIFICATION (Type no.)	51.0796- 00 K20314	1		

Fig-Item	Man Code Navy -N Army -A RAF -R		NATO Stock No.	Indent	Item Name and Description	Part No/ Drawing No.	No. off	Annotations	
								Class of Store and Serv. Line	CCT Ref.
1-6	A	Z1	5820-99-658-1322	B	CASE, TRANSMITTER- RECEIVER, RADIO	10.3615- 00 CA803	1		
7			NP	C	cover	11.1138- 00 K24804	1		
8			NP	C	foam strip	191.5008- 00	3		
9	A	Z1	5305-99-635-5739	Z	SCREW, MACHINE ISO metric; steel; pan hd; cross-recess drive; zinc chromate finish; 2mm by 4mm lg; class 6g thd	20022- 02004	4		
10	A	Z32	5935-99-658-1324	C	CONNECTOR, FIXED, ELECTRICAL	41.5163- 00	1		
11	A	Z1	5310-99-635-5739	Z	SCREW, MACHINE ISO metric; steel; pan hd; cross-recess drive; zinc chromate finish; 2mm by 4mm lg; class 6g thd	20022- 02004	2		
12	A	Z1	5310-99-631-6267	Z	WASHER, SPRING TENSION cres; 2mm nom bolt size; 4.5mm od, 1mm o/a h	2450- 045022	2		
13	A	Z1	5310-99-658-3899	Z	WASHER, FLAT steel; rd; zinc chromate finish; rd hole; 2mm id, 5mm od, 0.3mm thk	2401- 050220	2		

ARMY EQUIPMENT
SUPPORT PUBLICATIONS

Fig-Item	Man Code Navy -N Army -A RAF -R		NATO Stock No.	Incident	Item Name and Description	Part No/ Drawing No.	No. off	Annotations	
								Class of Store and Serv. Line	CCT Ref.
1-14	A	Z37	5940-99-652-3203	Z	TERMINAL, LUG solder; 11.25mm lg, 4.50mm w, 0.40mm thk; 2.20mm ring; brass; electro-tinned	34.5032-00	1		
15	A	Z1	5820-99-639-0129	Z	NUT, PLAIN, HEXAGON	2202-020040	2		
16	A	Z1	5820-99-653-5101	B	CHASSIS, ELECTRICAL EQUIPMENT	CH803 10.2710-00	1		
17	A	Z1	5820-99-656-4885	B	CHASSIS, ELECTRICAL EQUIPMENT	CH8014 10.3505-00	1		
18	A	Z1	9330-99-658-3900	B	PLASTICS SPECIAL SHAPED SECTION PVC; U shape; black; 2.5mm w, 4mm h; 0.9mm w groove; bulk supply Note:- Cut to length as required	185.5023-00	AR		

RESTRICTED

5820-F-300-711

ARMY EQUIPMENT
SUPPORT PUBLICATIONS

Fig-Item	Man Code Navy -N Army -A RAF -R		NATO Stock No.	Indent	Item Name and Description	Part No/ Drawing No.	No. off	Annotations	
								Class of Store and Serv. Line	CCT Ref.
2-19			-	B	OSCILLATORS, RADIO FREQUENCY	XO865 10.3479- 00	1		
					Note:- For details refer to Chapter 2-1-9				
20	A	Z1	5820-99-640-0873	B	SPACE FILLER (XO Dummy)	12.0261- 00 K22686	AR		
21	A	Z42	5970-99-658-3904	B	INSULATOR, PLATE bakelite paper; 54mm lg; 12.5mm w, 0.5mm thk	32.0536- 00 K26877	2		
22	A	Z1	5820-99-640-0896	B	AUDIO AMPLIFIER MODULE	AA802 10.2688- 00	1		
23	A	Z32	5915-99-640-0901	B	FILTER NETWORK MODULE	FN803 10.2694- 00	1		
24	A	Z1	5320-99-658-3903	B	MODULATOR, RADIO TRANSMITTER 50-60MHz	PM862 10.4275- 00	1		

ARMY EQUIPMENT
SUPPORT PUBLICATIONS

Fig-Item	Man Code Navy -N Army -A RAF -R		NATO Stock No.	Incident	Item Name and Description	Part No/ Drawing No.	No. off	Annotations	
								Class of Store and Serv. Line	CCT Ref.
1-25	A	Z1	5820-99-653-5100	B	CHASSIS, ELECTRICAL EQUIPMENT nickel silver; 8mm by 7.20mm by 39.90mm	11.1144-01	1		
2-26	A	Z1	5820-99-653-5102	B	PANEL, ELECTRONIC CIRCUIT (Temp Compensating Module) srbf; 190mm lg by 28mm w	15.0338-00	1		
27	A	Z1	5820-99-640-0885	B	FREQUENCY DOUBLER MODULE	FD861 10.2701-00	1		
28	A	Z1	5820-99-640-0886	B	FREQUENCY DOUBLER MODULE	FD862 10.2702-00	1		
29	A	Z1	5820-99-640-0887	B	FREQUENCY DOUBLER MODULE	FD863 10.2703-00	1		
30	A	Z32	5915-99-640-0888	B	FILTER, BAND PASS	BP861 10.2704-00	1		

RESTRICTED

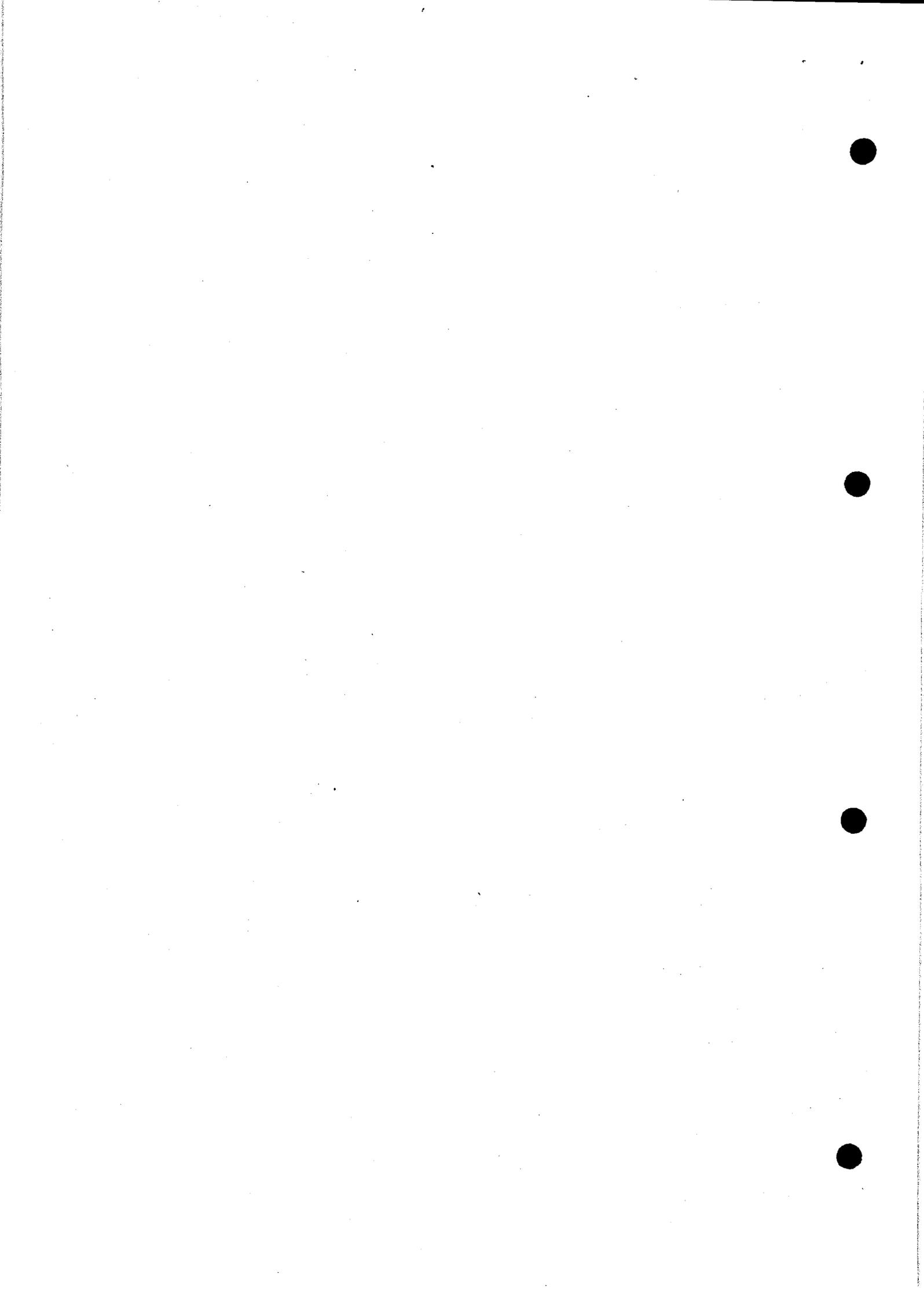
5820-F-300-711

ARMY EQUIPMENT
SUPPORT PUBLICATIONS

Fig-Item	Man Code		NATO Stock No.	Indent	Item Name and Description	Part No/ Drawing No.	No. off	Annotations	
	Navy -N	Army -A						RAF -R	Class of Store and Serv. Line
2-31	A	Z1	6110-99-640-0898	B	REGULATOR, VOLTAGE	VR801 10.2690-00	1		
32	A	Z1	5820-99-640-2403	B	FILTER NETWORK MODULE	FN861 10.2705-00	1		
33	A	Z1	5820-99-643-9052	B	DUMMY AUTOMATIC DRIVE CONTROL	68.0172-00 K24590	1		
34	A	Z1	5820-99-658-3901	B	DUMMY POWER AMPLIFIER MODULE	68.0171-00 K24397	2		
35	A	Z1	5820-99-653-5099	B	CHASSIS, ELECTRICAL EQUIPMENT nickel silver; 19.10mm by 19.90mm by 39.90mm	11.1144-05	1		
36	A		-	B	RESISTOR carbon film; + 5%; 1/10W		2		R10 11
					VALUES SELECTED ON TEST				

ARMY EQUIPMENT
SUPPORT PUBLICATIONS

Fig-Item	Man Code Navy -N Army -A RAF -R		NATO Stock No.	Indent	Item Name and Description	Part No/ Drawing No.	No. off	Annotations	
								Class of Store and Serv. Line	CCT Ref.
2-37	A	Z30	5905-99-649-1913	B	RESISTOR, FIXED, FILM 8200 ohms, \pm 5%; 0.100W	80.5060-00	1		R12
38	A	Z30	5905-99-658-1162	B	RESISTOR, FIXED, FILM 3.3k ohms, \pm 5%; 1/10W	80.5055-00	1		R14
39	A	Z30	5905-99-638-9918	B	RESISTOR, FIXED, FILM 560 ohms, \pm 5%; 1/10W	80.5046-00	1		R15
40	A	Z31	5910-99-658-3902	B	CAPACITOR, FIXED, CERAMIC DIELECTRIC 1 section; 0.47nF, \pm 20%; 50V dc wkg	74.5275-00	1		C3
41	A	Z32	5920-99-640-0903	B	FUSE	92.5112-00	1		S1



Chapter 2-1-1-1-2

PARTS LIST

RECEIVER, RADIO
(ORU)

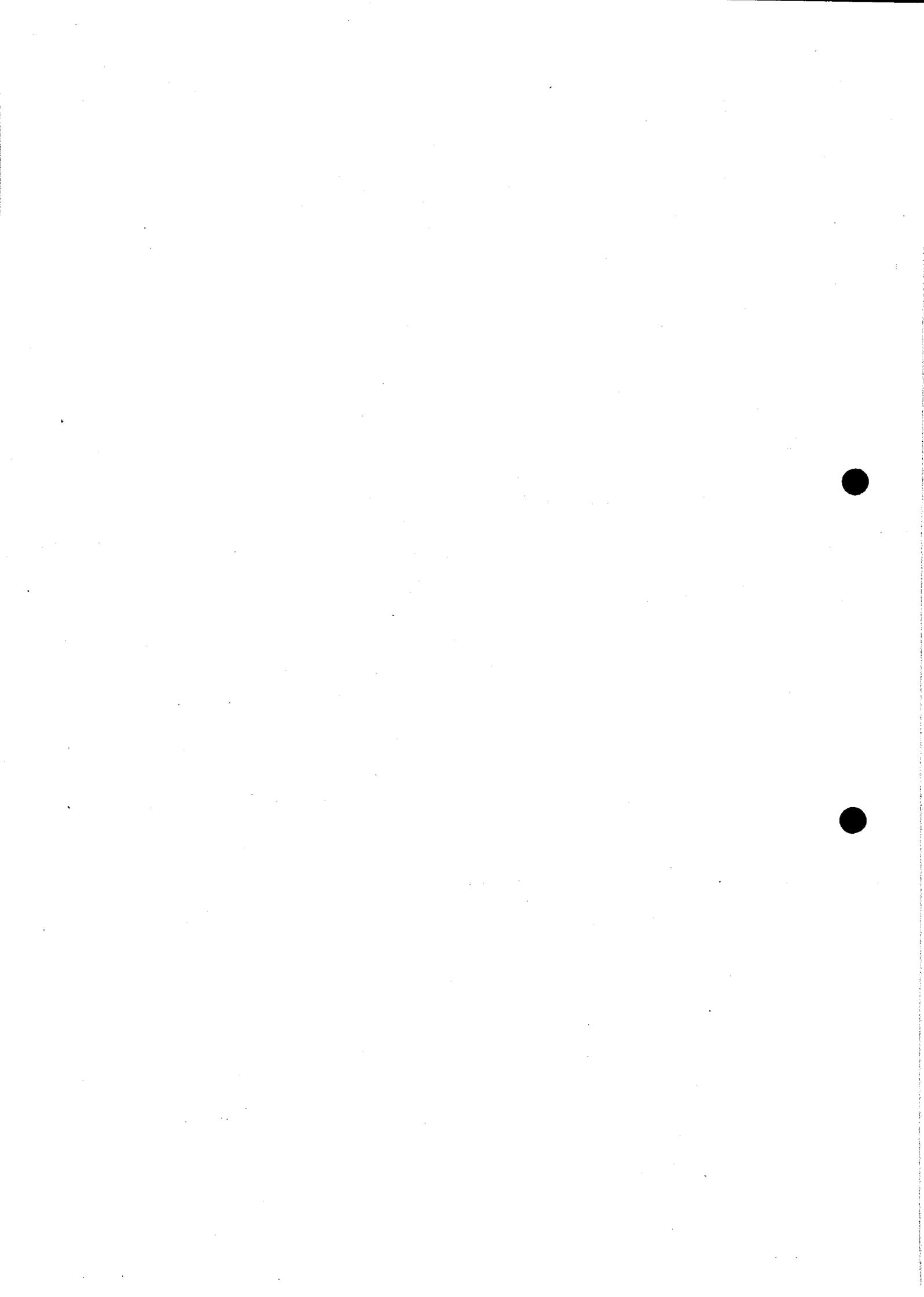
Z1/5820-99-653-2119

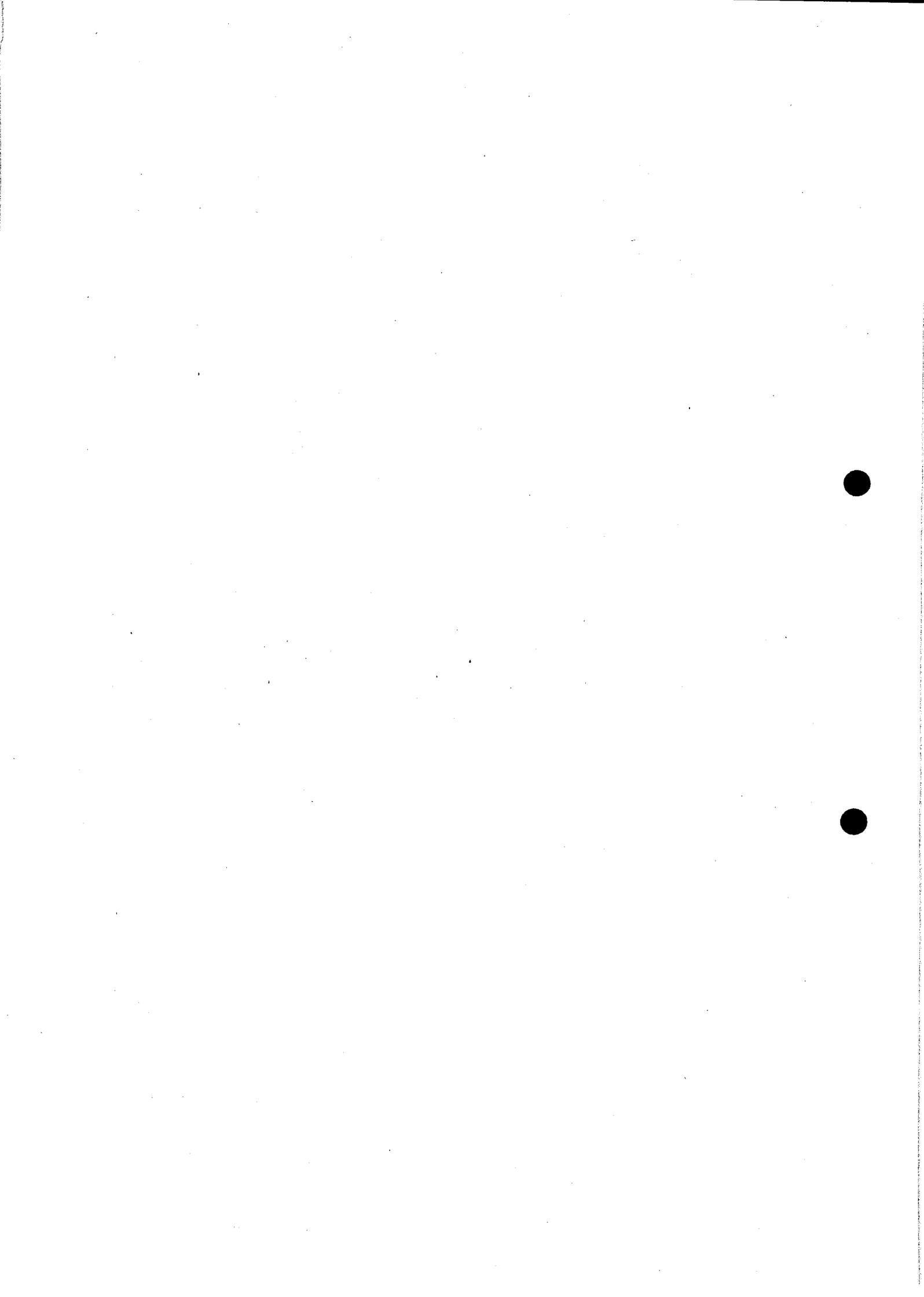
(G.A. Drawing No. SD3/265513)

(Circuit Diagram No. D402.478)

NOTE:-

Unless otherwise stated all
part nos. quoted in this Chapter
refer to STORNO LTD., CAMBERLEY,
SURREY







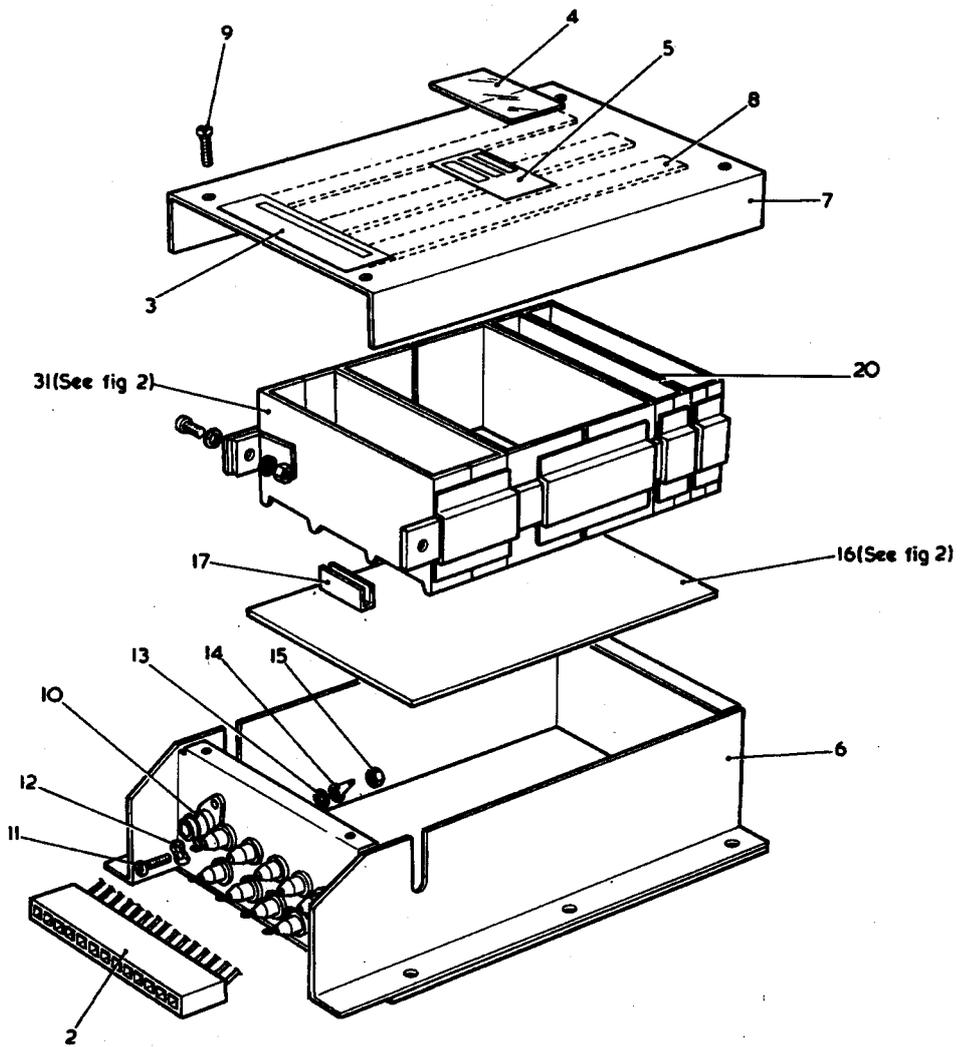


FIG. I RECEIVER RADIO (ORU)



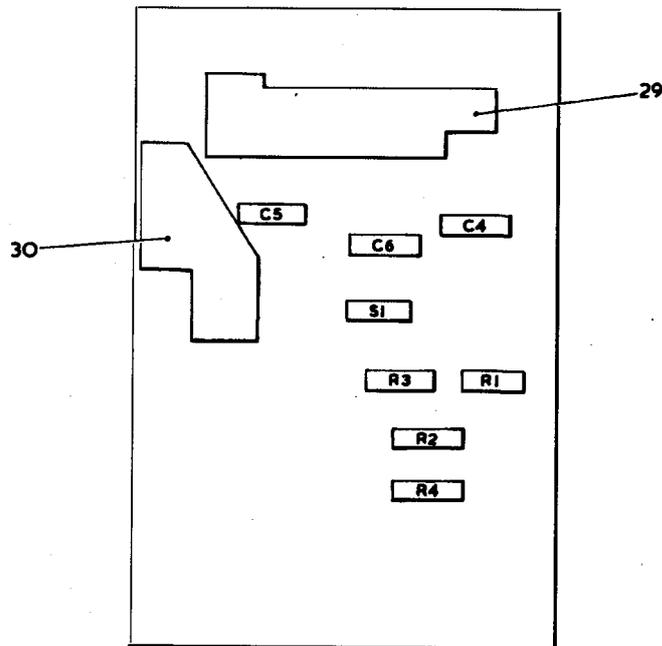
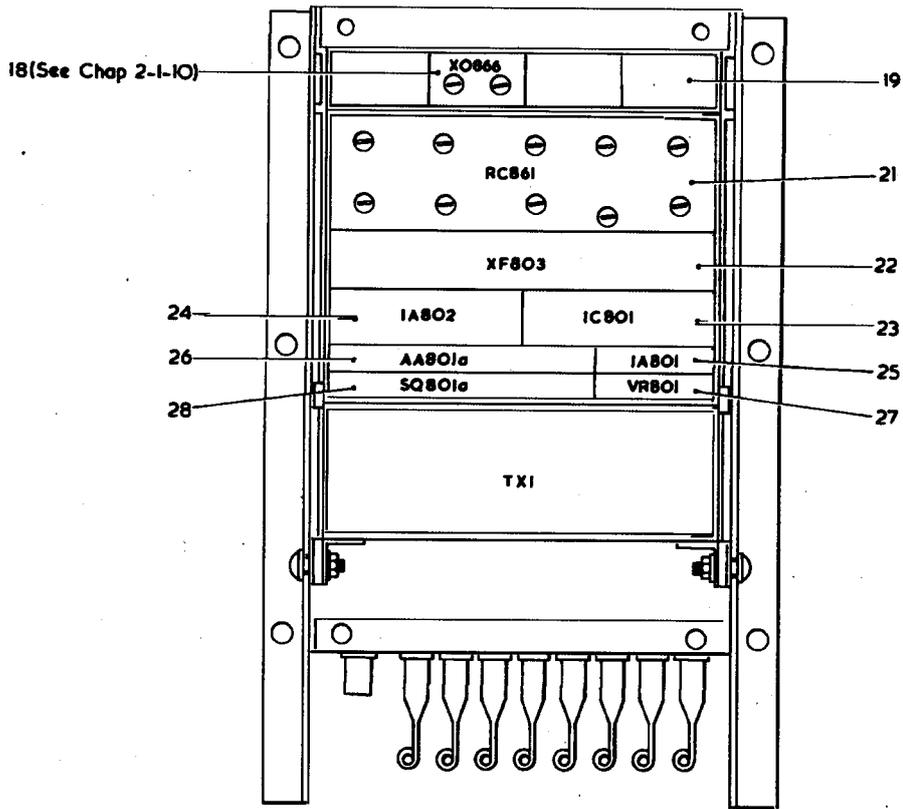


FIG. 2

PARTS LIST

RECEIVER, RADIO (ORU) Z1/5820-99-653-2119

Fig-Item	Man Code Navy - N Army - A RAF - R		NATO Stock No.	Indent	Item Name and Description	Part No/ Drawing No.	No. off	Annotations	
								Class of Store and Serv. Line	CCT Ref.
1	A	Z1	5820-99-653-2118	A	RECEIVER, RADIO (ORU)	SD3/ 265513 RX8064- 7462 10.1340C- 00 7462-2-5	Ref		
1-2	A	Z32	5935-99-635-0171	B	CONNECTOR, FREE, ELECTRICAL straight shape; 1- 38/64in. lg, 9/16in. w, 3/32in. h; 1 mating end; 16 contacts	SD3/ 265553 19.7246C- 00 7462-7-1	1		
3	A	Z1	9905-99-635-5393	B	PLATE, IDENTIFICATION (NATO Stock no.)	51.0365C- 00	1		
4	A	Z1	9905-99-658-1319	B	DECAL	51.0898- 00	1		
5	A			B	PLATE, IDENTIFICATION (Type no.)	51.0796- 00 K20314	1		

RESTRICTED

5820-F-300-711

ARMY EQUIPMENT
SUPPORT PUBLICATIONS

Fig-Item	Man Code Navy -N Army -A RAF -R		NATO Stock No.	Indent	Item Name and Description	Part No/ Drawing No.	No. off	Annotations	
								Class of Store and Serv. Line	CCT Ref.
1-6	A	Z1	5820-99-658-1322	B	CASE, TRANSMITTER-RECEIVER, RADIO	10.3615-00 CA803	1		
7			NP	C	cover	11.1138-00 K24804	1		
8			NP	C	foam strip	191.5008-00	3		
9	A	Z1	5305-99-635-5739	Z	SCREW, MACHINE ISO metric; steel; pan hd; cross-recess drive; zinc chromate finish; 2mm by 4mm lg; class 6g thd	20022-02004	4		
10	A	Z32	5935-99-658-1324	C	CONNECTOR, FIXED, ELECTRICAL	41.5163-00	1		
11	A	Z1	5310-99-635-5739	Z	SCREW, MACHINE ISO metric; steel; pan hd; cross-recess drive; zinc chromate finish; 2mm by 4mm lg; class 6g thd	20022-02004	2		
12	A	Z1	5310-99-631-6267	Z	WASHER, SPRING TENSION cres; 2mm nom bolt size; 4.5mm od, 1mm o/a h	2450-045022	2		
13	A	Z1	5310-99-658-3899	Z	WASHER, FLAT steel; rd; zinc chromate plated; rd hole; 2mm id, 5mm od, 0.3mm thk	2401-050220	2		

ARMY EQUIPMENT
SUPPORT PUBLICATIONS

Fig-Item	Man Code Navy -N Army -A RAF -R		NATO Stock No.	Indent	Item Name and Description	Part No/ Drawing No.	No. off	Annotations	
								Class of Store and Serv. Line	CCT Ref.
1-14	A	Z37	5940-99-652-3203	Z	TERMINAL, LUG solder; 11.25mm lg; 4.50mm w, 0.40mm thk; 2.20mm ring; brass; electro-tinned	34.5032- 00	1		
15	A	Z1	5820-99-635-4534	Z	NUT, PLAIN, HEXAGON	2202- 020040	2		
16	A	Z1	5820-99-653-5101	B	CHASSIS, ELECTRICAL EQUIPMENT	CH803 10.2710- 00	1		
17	A	Z1	9330-99-658-3900	B	PLASTICS SPECIAL SHAPED SECTION U shape; PVC; black; 2.5mm w, 4mm h; 0.9mm groove; bulk supply	185.5023- 00	AR		
2-18			-	B	OSCILLATOR, RADIO FREQUENCY Note:- For details refer to Chapter 2-1-10	X0866 10.3480- 00	1		
19	A	Z1	5820-99-640-0873	B	SPACE FILLER (XO Dummy)	12.0261- 00 K22686	1		
1-20	A	Z42	5970-99-658-3904	B	INSULATOR, PLATE bakelite paper; 54mm lg; 12.5mm w, 0 5mm thk	32.0536- 00 K26877	2		

Fig-Item	Man Code Navy -N Army -A RAF -R		NATO Stock No.	Indent	Item Name and Description	Part No/ Drawing No.	No. off	Annotations	
								Class of Store and Serv. Line	CCT Ref.
2-21	A	Z1	5820-99-640-0883	B	RECEIVER-CONVERTER MODULE	RC861 10.2699- 00	1		
22	A	Z32	5915-99-640-0899	B	CRYSTAL FILTER MODULE	XF803 10.2692- 00	1		
23	A	Z1	5820-99-640-0894	B	CONVERTER MODULE	1C801 10.2686- 00	1		
24	A	Z1	5820-99-640-0893	B	DISCRIMINATOR MODULE	1A802 10.2808- 00	1		
25	A	Z1	5820-99-640-0892	B	AMPLIFIER, INTERMEDIATE FREQUENCY	1A801 10.2685- 00	1		
26	A	Z1	5820-99-646-6176	B	AMPLIFIER, AUDIO FREQUENCY 0.40W power output; 9.6 to 15V operating power; 3.50mm by 20mm by 33mm o/a dim.	AA801a 10.2687- 01	1		

ARMY EQUIPMENT
SUPPORT PUBLICATIONS

RECEIVER, RADIO (ORU) Z1/5820-99-653-2119

Fig-Item	Man Code Navy -N Army -A RAF -R		NATO Stock No.	Indent	Item Name and Description	Part No/ Drawing No.	No. off	Annotations	
								Class of Store and Serv. Line	CCT Ref.
2-27	A	Z1	6110-99-640-0898	B	REGULATOR, VOLTAGE	VR801 10.2690- 00	1		
28	A	Z1	5820-99-640-0897	B	SQUELCH UNIT MODULE	SQ801a 10.2689- 01	1		
29	A	Z1	5820-99-653-5098	B	PANEL, ELECTRONIC CIRCUIT (Temp Compensating Unit)	15.0280- 00	1		
30	A	Z1	5820-99-653-5097	B	PANEL, ELECTRONIC CIRCUIT (Regulator Driver)	15.0337- 00	1		
1-31	A	Z1	5820-99-653-5099	B	CHASSIS, ELECTRICAL EQUIPMENT nickel silver; 19.10mm by 19.90mm by 39.90mm	11.1144- 05	1		
2-32	A	Z32	5920-99-640-0903	B	FUSE	92 5112- 00	1		S1

RESTRICTED

ARMY EQUIPMENT
SUPPORT PUBLICATIONS

Fig-Item	Man Code Navy - N Army - A RAF - R		NATO Stock No.	Indent	Item Name and Description	Part No/ Drawing No.	No. off	Annotations	
								Class of Store and Serv. Line	CCT Ref.
2-33	A	Z30	5905-99-649-0643	B	RESISTOR, FIXED, FILM 470k ohms, \pm 5%; 1/10W	80.5081- 00	1		R2
34	A	Z30	5905-99-649-0641	B	RESISTOR, FIXED, FILM 5.6k ohms, \pm 5%; 1/10W	80.5058- 00	1		R1
35			-	B	RESISTOR \pm 5%; 1/10W; carbon film VALUES SELECTED ON TEST		2		R3 4
36	A	Z31	5910-99-658-3902	B	CAPACITOR, FIXED, CERAMIC DIELECTRIC 1 section; 0.47nF, \pm 20%; 50V dc wkg	74.5275- 00	3		C4 5 6

RESTRICTED

Chapter 2-1-2

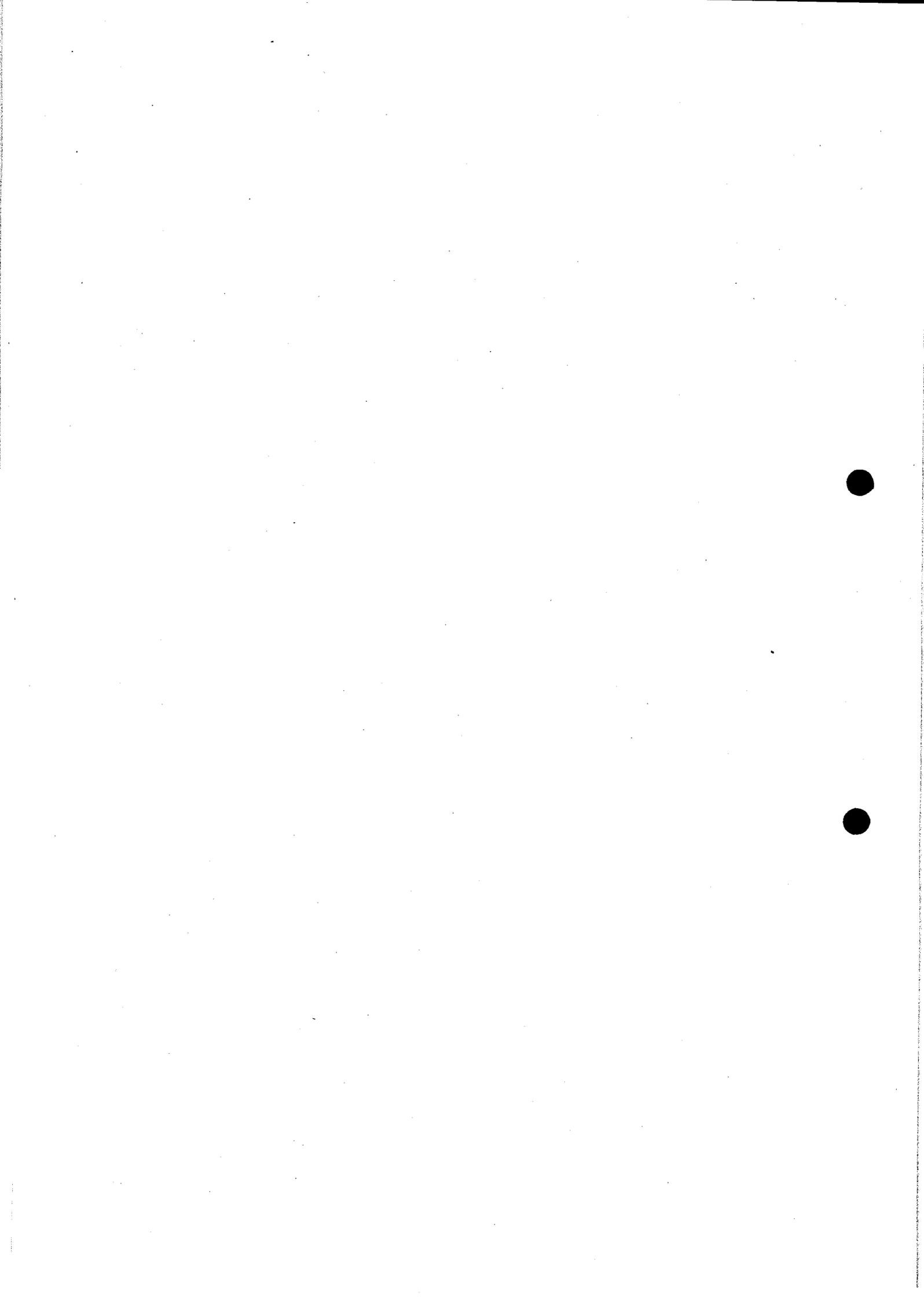
PARTS LIST

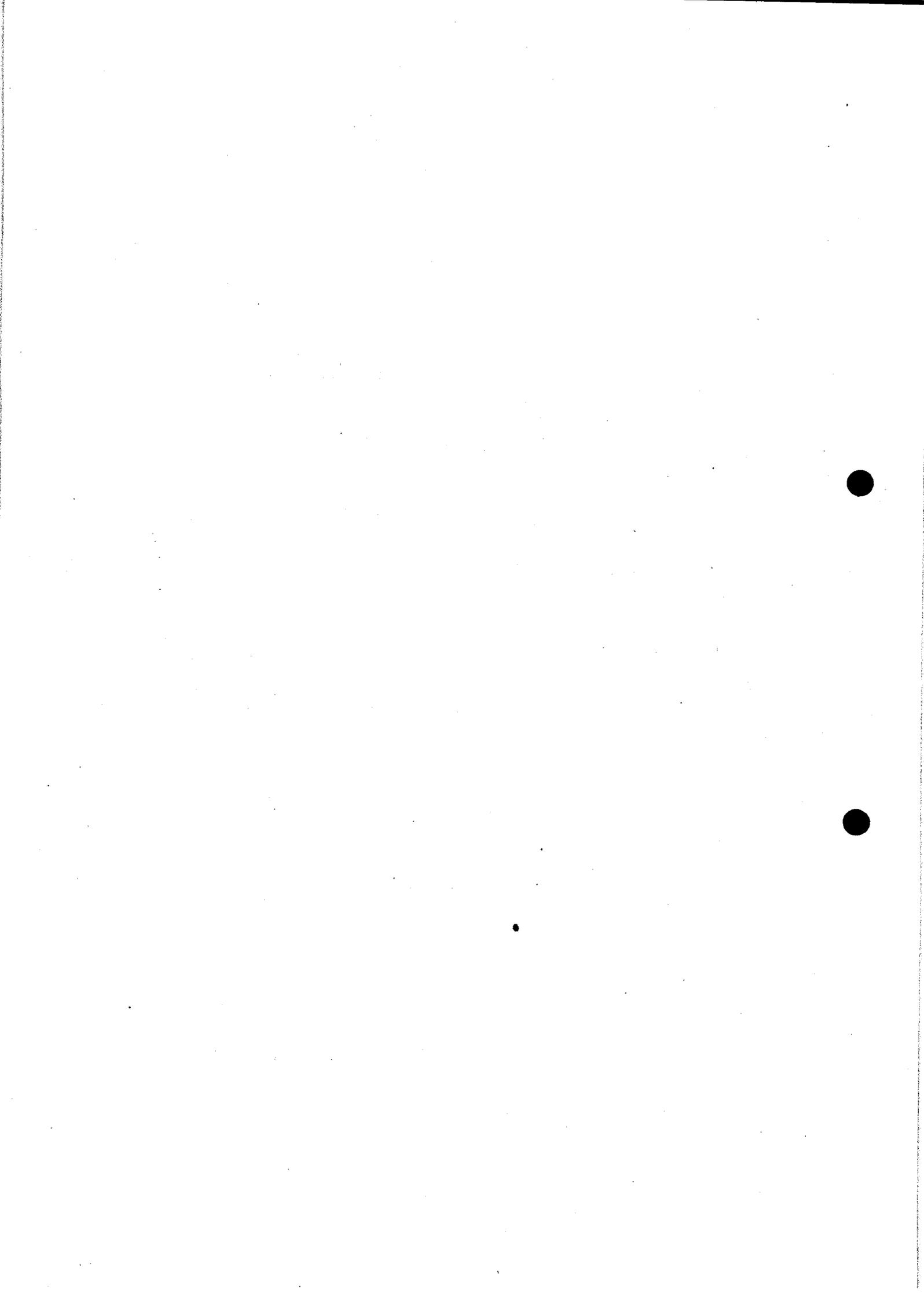
**CABLE ASSEMBLY-SWITCH, ELECTRICAL
(Special Pressel)**

Z42/5965-99-652-7025

(G.A. Drawing No. SD1/265289)

(Circuit Diagram No. SD3/265295)







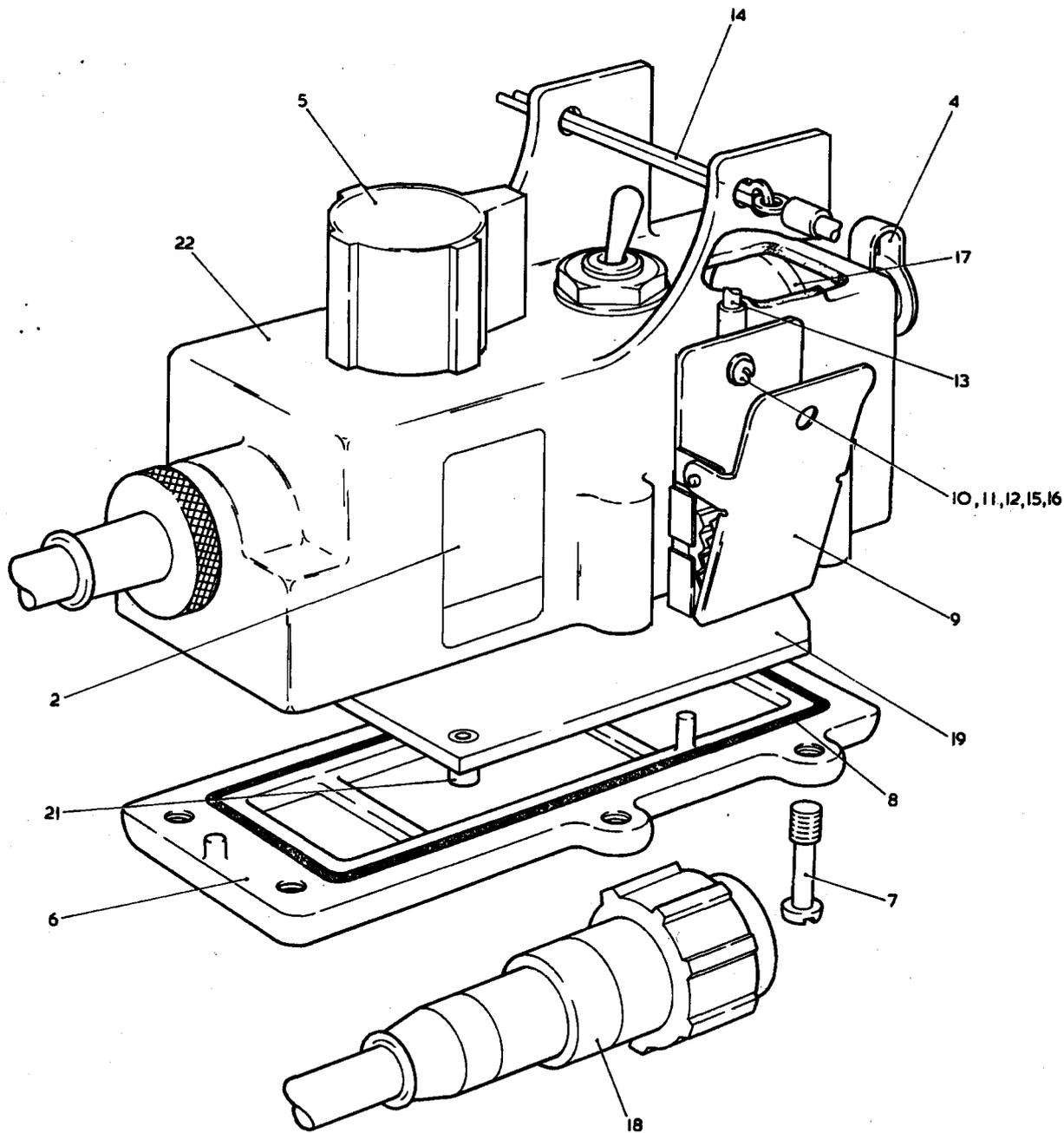


FIG.1 CABLE ASSEMBLY-SWITCH ELECTRICAL
(Special Pressel)

PARTS LIST

CABLE ASSEMBLY-SWITCH, ELECTRICAL (Special Pressel) Z42/5965-99-652-7025

Fig-Item	Man Code Navy - N Army - A RAF - R		NATO Stock No.	Indent	Item Name and Description	Part No/ Drawing No.	No. off	Annotations	
								Class of Store and Serv. Line	CCT Ref.
1	A	Z1	5965-99-652-7025	A	CABLE ASSEMBLY-SWITCH, ELECTRICAL (Special Pressel)	SD1/ 265289	Ref		
1-2	A	Z2	9905-99-649-2246	B	PLATE, MODIFICATION RECORD	R.A.E. WTB111527 /14	1		
3 NI	A	Z1	9905-99-653-0175	B	PLATE, IDENTIFICATION aluminium; rect; black background; silver inscription of NSN, ser no. and pheon	SD3/ 265459	1		
1-4	A	Z99	5935-99-626-4256	B	COVER, ELECTRICAL PLUG-SOCKET non metallic; 66.45mm lg, 22.9mm w, 10.54mm h; friction mtg	SD3/ 235131 Thorn 05/1625/ 10	1		
5	A	Z2	5355-99-656-5669	B	KNOB plastics; setscrew type; rd; 1/4in. bore; 3/4in. od, 5/8in. thk; w/pointer; w/o skirt	Ostby & Barton 3-75-2-B	1		
6	A	Z42	5965-99-656-2696	B	COVER, ACCESS, ELECTRICAL CHASSIS plastics; black; 90mm lg, 43mm w, 5mm h	SD2/ 265291	1		
7	A	Z1	5305-99-653-0176	B	SCREW, EXTERNALLY RELEASED BODY ISO metric; steel; pan hd; slot drive; zinc plated; 3mm by 0.5mm pitch by 13mm lg; scr 4mm lg	SD3/ 265454	6		
8	A	LV6/ MT1	5330-99-713-6158	B	RING, SEALING, TOROIDAL rubber; 2-1/2in. id, 1/16in. h; 65 to 75 IRHD hardness	Dowty Seals PP49B27 200-037- 4470	1		

RESTRICTED

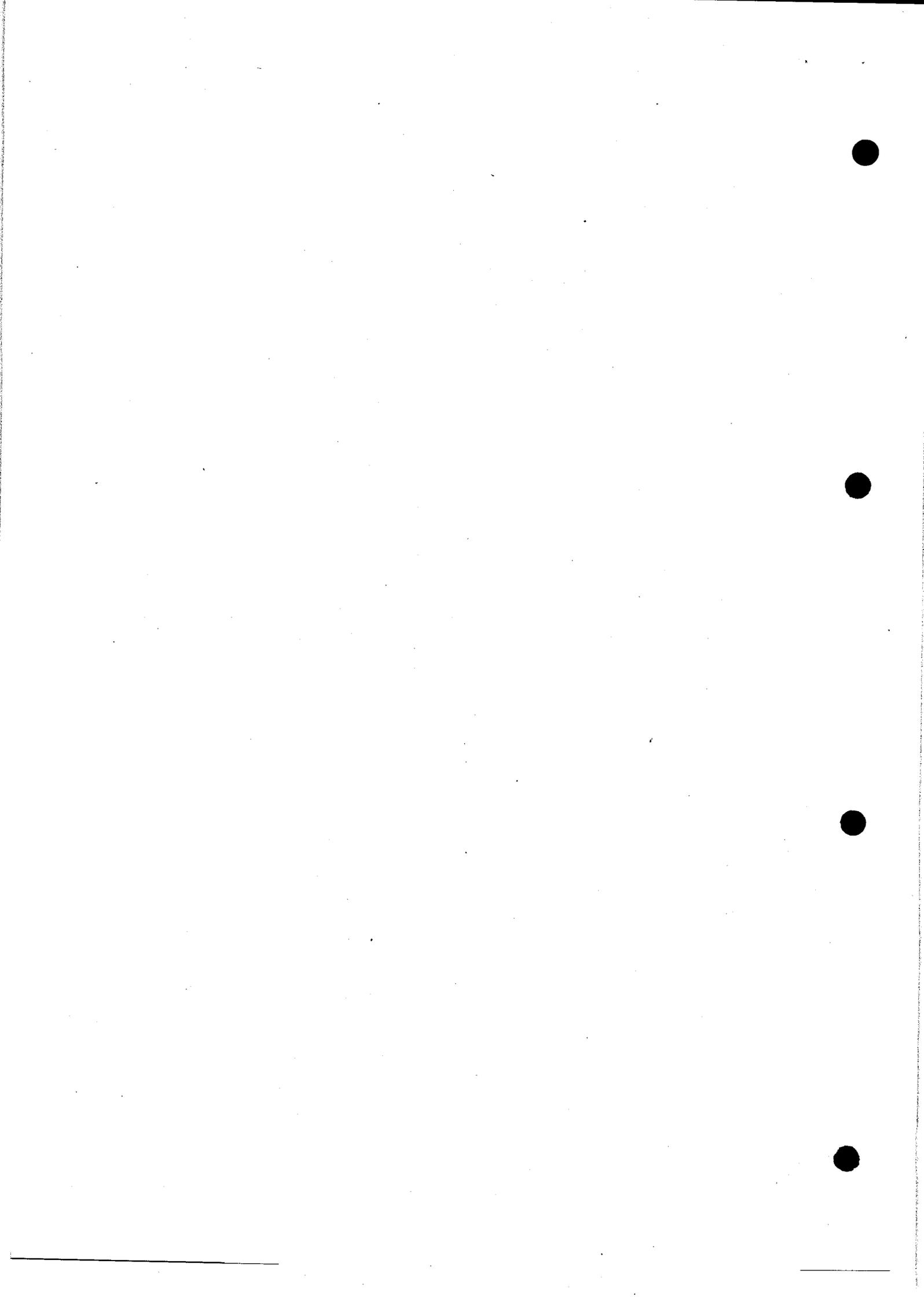
ARMY EQUIPMENT
SUPPORT PUBLICATIONS

Fig-Item	Man Code Navy -N Army -A RAF -R		NATO Stock No.	Indent	Item Name and Description	Part No/ Drawing No.	No. off	Annotations	
								Class of Store and Serv. Line	CCT Ref.
1-9	A	Z99	5930-99-631-0676	B	CLIP ASSEMBLY, CLOTHING 1.250in. by 1.187in. by 0.812in. o/a	SDA/ 241999	1		
10	A	G1	5305-99-135-0424	Z	SCREW, MACHINE ISO metric; steel; pan hd; slot drive; zinc plated finish; 4mm by 16mm lg; class 6g thd	BS 4183	1		
11	A	G1	5310-99-135-2546	Z	WASHER, SPRING TENSION beryllium copper; tin plated; 4mm nom bolt size; 8.10mm od; 0.84mm o/a h	BS 4183	1		
12	A	LV6/ MT1	5330-99-817-0523	Z	WASHER, SEAL, FLAT rubber/steel; 0.167in. max id, 0.39lin. max od, 0.054in. max h	Dowty Seals PP38-1 400-002- 4490-02	3		
13	A	Z42	5965-99-656-2697	B	CORD ASSEMBLY, TERYLENE 150mm cord lg; terminal lug 1st end, split pin 2nd end	SD3/ 265458	1		
14	A	G1	5315-99-437-1114	C	PIN, COTTER, SPLIT steel; zinc plated; 1/8in. nom dia, 1-1/2 in. lg	BS 1574 DEF Stan 53-10/2 Table IIA	1		
15	A	Z37	5940-99-901-7275	Z	TERMINAL, LUG 2BA; brass; electro- tinned; 9/16in. lg, 5/16in. w, 0.022in. thk	Ross Courtney 31/2BA	1		
16	A	G1	5310-99-135-0755	Z	NUT, PLAIN, HEXAGON ISO metric; steel; chamfered bearing surface; zinc plated; 4mm; 3.05mm h; grade 4 nut	BS 3692	1		

RESTRICTED

ARMY EQUIPMENT
SUPPORT PUBLICATIONS

Fig-Item	Man Code Navy -N Army -A RAF -R		NATO Stock No.	Indent	Item Name and Description	Part No/ Drawing No.	No. off	Annotations	
								Class of Store and Serv. Line	CCT Ref.
1-17	A	Z99	5935-99-626-5472	B	SOCKET, ELECTRICAL fixed; alloy; 7 pole; 5A, 500V ac; female shell; locking type	SDC/ 235025/1 Amphenol 62GB5016- 10-7SF	1		
18	A	Z42	5995-99-652-2694	B	CORD ASSEMBLY, ELECTRICAL 6 conductors; plastics; plastics sheath; connector 1st end, terminals 2nd end	SD2/ 229882/2	1		
19	A	Z1	5820-99-653-0169	B	PANEL, ELECTRONIC CIRCUIT 2 switches	SD3/ 265296	1		
20 NI	A	Z4	5340-99-119-6084	B	STRAP, LINE SUPPORTING plastic strap and buckle; 3-5/8in. lg, 3/32in. w, 3/64in. thk	Insuloid T18R	1		
1-21	A		5970-99-622-8998	B	INSULATION SLEEVING, ELECTRICAL heatshrinkable; 1/16 in. id, 15mm lg; black	Raychem RNF100 Type 1	5		
22	A	Z42	5965-99-656-2695	B	PRESSEL BOX plastics; black; 90mm lg, 47mm w, 47mm h o/a dim.	SD1/ 265290	1		



Chapter 2-1-3

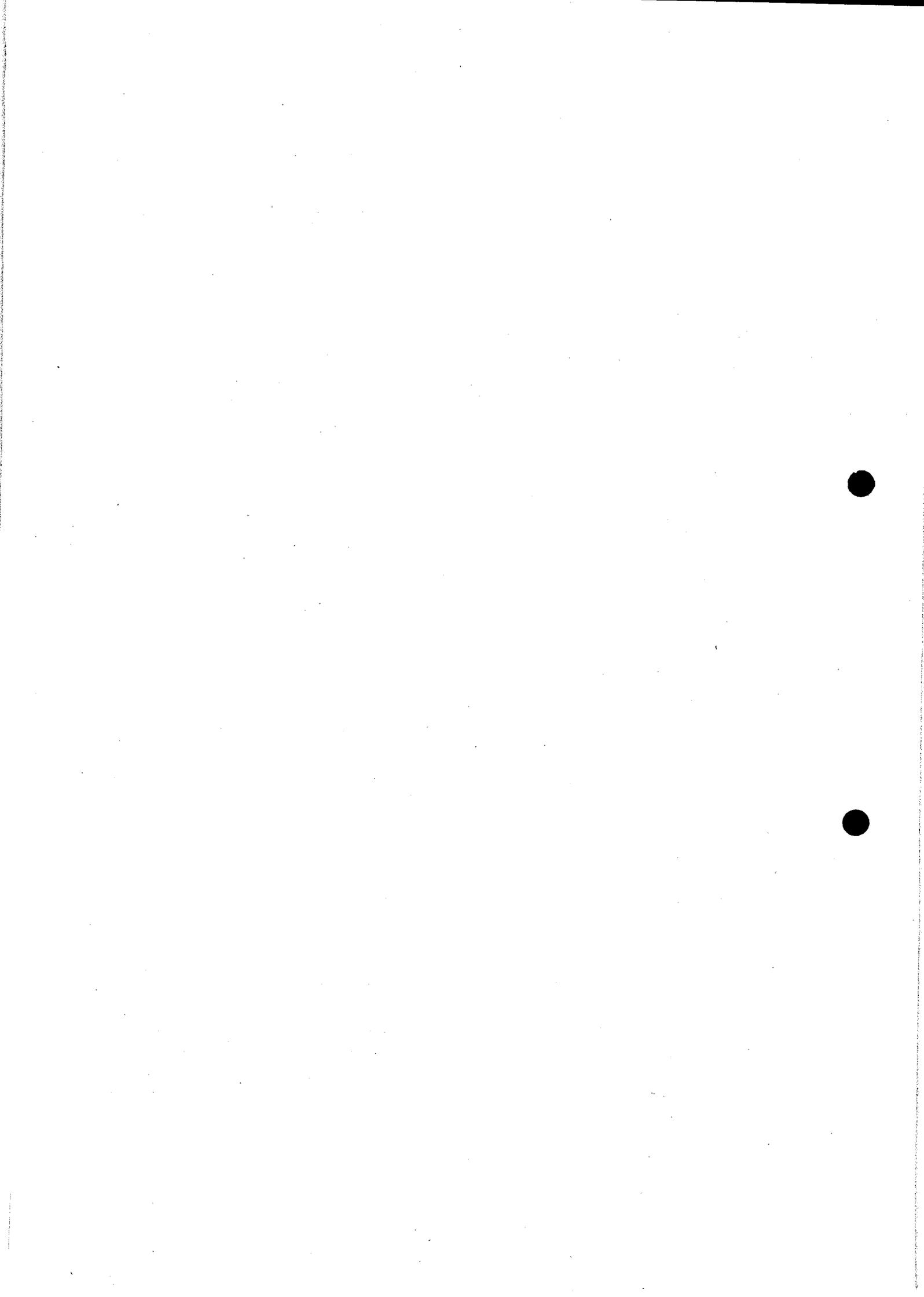
PARTS LIST

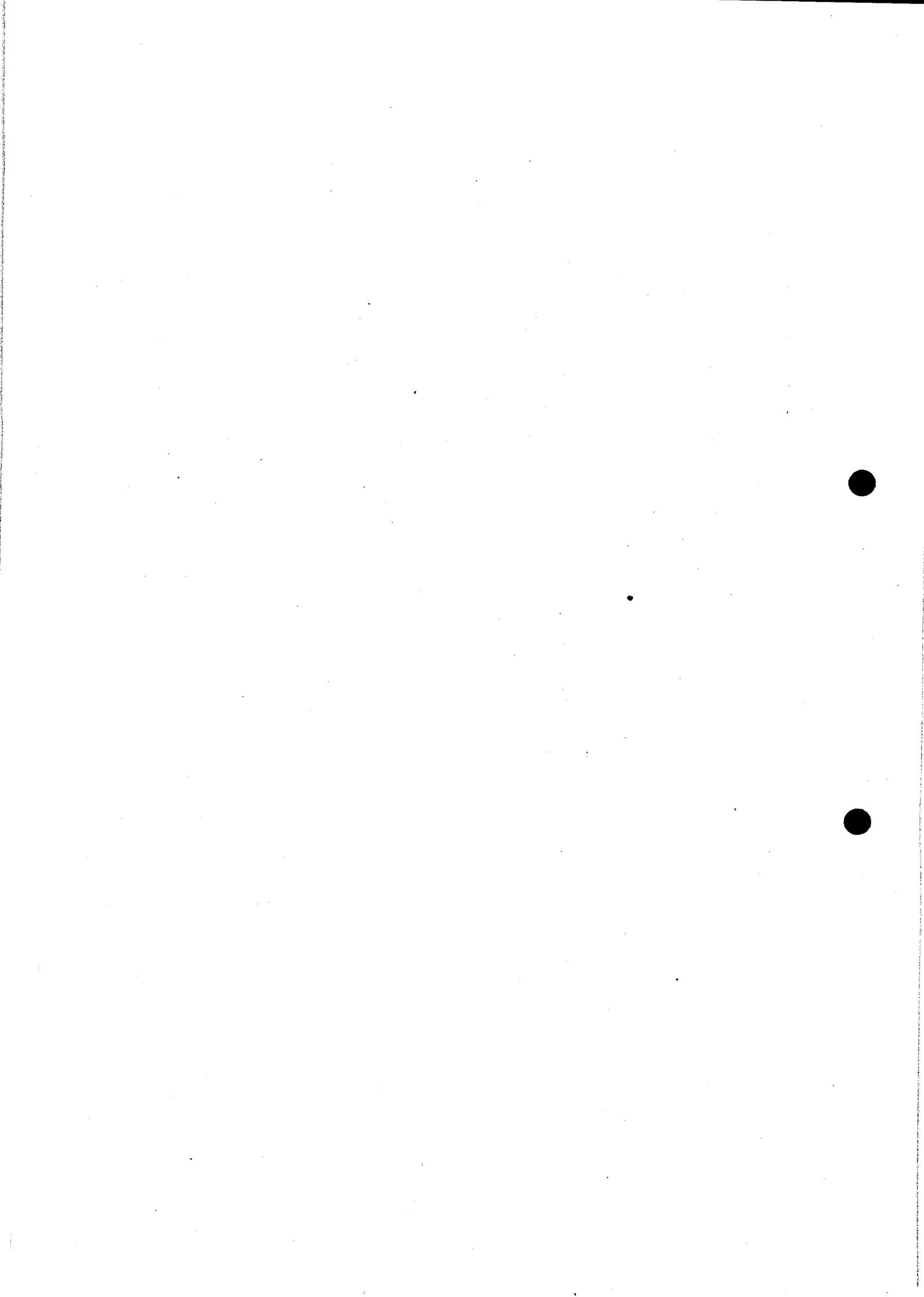
**CONTROL RADIO UNIT
(CRU)**

Z1/5820-99-656-0309

(G.A. Drawing No. SDO/265494)

(Circuit Diagram No. N/A)







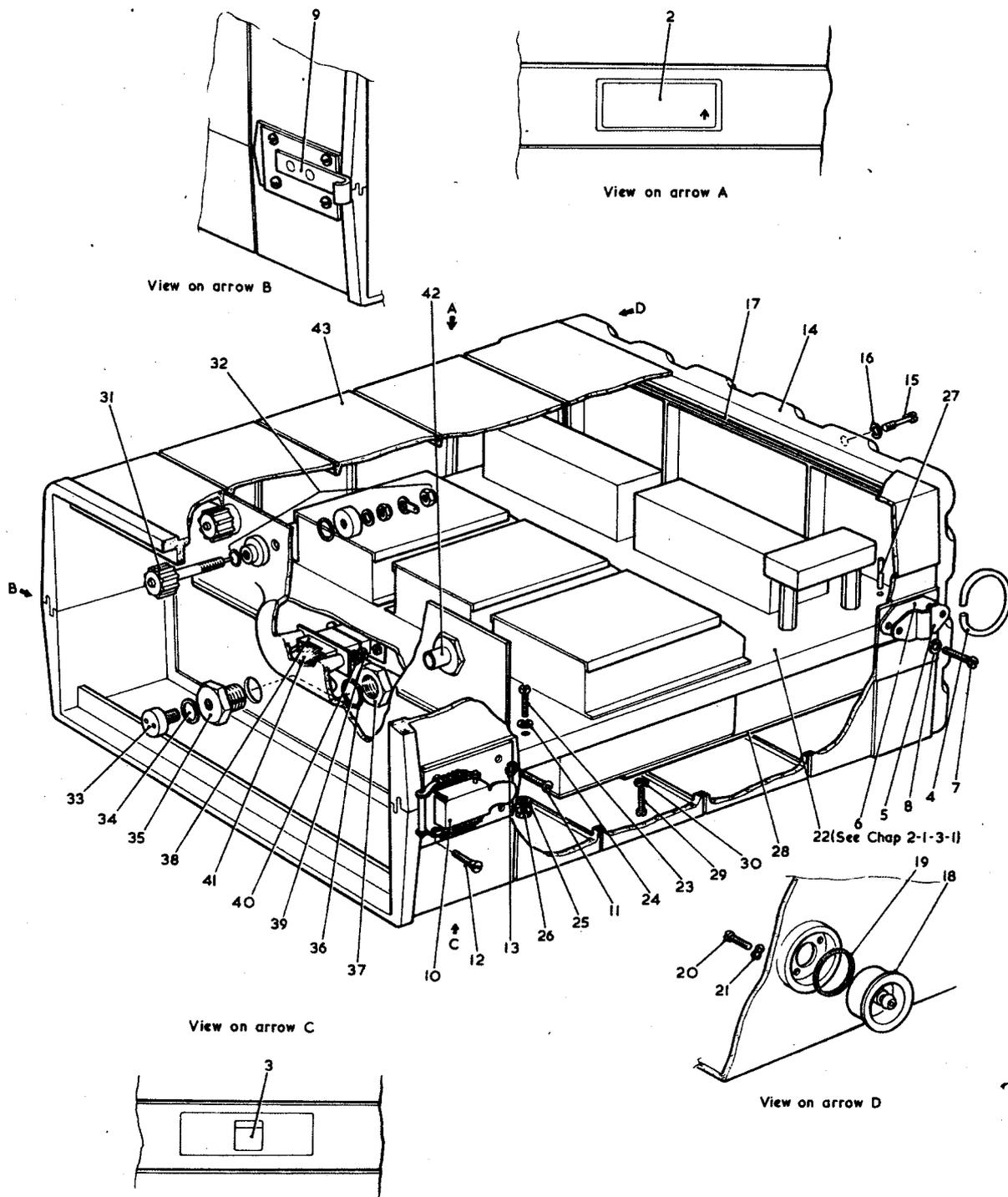


FIG. I CONTROL RADIO UNIT (CRU)

RESTRICTED

5820-F-300-711

ARMY EQUIPMENT
SUPPORT PUBLICATIONS

Chapter 2-1-3

PARTS LIST

CONTROL RADIO UNIT (CRU) Z1/5820-99-656-0309

Fig-Item	Man Code Navy - N Army - A RAF - R		NATO Stock No.	Indent	Item Name and Description	Part No/ Drawing No.	No. off	Annotations	
								Class of Store and Serv. Line	CCT Ref.
1	A	Z1	5820-99-656-0309	A	CONTROL RADIO UNIT (CRU)	SDO/ 265494	Ref		
1-2			9905-99-786-7028	B	PLATE, IDENTIFICATION	SD3/ 265331	1		
3	A	Z2	9905-99-649-2246	B	PLATE, MODIFICATION RECORD	RAE WTB111527 /14	1		
4	A	Z1	5365-99-658-4585	B	RING, DEE steel; 28mm inside w, 19mm inside; h 4mm dia stock	SD4/ 265322	2		
5	A	Z1	5340-99-658-5452	B	STRAP, RETAINING aluminium alloy; single; 2.5mm dia grip; 20mm w, 36mm lg, 1.20mm thk matl painted finish	SD3/ 265323	2		
6	A	Z1	5365-99-658-5451	B	SPACER, PLATE aluminium alloy; painted; 36mm lg, 20mm w, 1mm thk	SD3/ 265324	2		
7	A	G1	5305-99-135-0422	Z	SCREW, MACHINE ISO metric; steel; pan hd; slot drive; zinc plated and passivated; 4mm by 10mm lg; class 6g thd	BS 4183	4		
8	A	G1	5310-99-138-9225	Z	WASHER, LOCK steel; split helical ring; zinc plated; 4mm nom bolt size; 6.95mm od, 1.2mm thk	BS 4464 Type A	4		
9	A	Z1	5340-99-656-2702	B	PLATE, CLIP RETAINER aluminium alloy; painted matt black; 50mm lg, 40mm w, 2mm thk; two holes 4.20mm dia csk, two holes 3.30mm dia csk	SD3/ 265499	1		

Chap 2-1-3

Page 7

Jan 85 (Amdt 4)

RESTRICTED

Fig-Item	Man Code Navy -N Army -A RAF -R		NATO Stock No.	Indent	Item Name and Description	Part No/ Drawing No.	No. off	Annotations	
								Class of Store and Serv. Line	CCT Ref.
1-10	A	Z1	5340-99-656-3104	B	CATCH, TOGGLE LEVER mtg base; aluminium alloy painted matt black; catch, steel zinc plated and passivated; 50mm lg, 40mm w, 2mm thk mtg base with spring loaded latch.	SD3/ 265498	1		
11	A	G1	5305-99-135-0422	Z	SCREW, MACHINE ISO metric; steel; flat csk hd; slot drive; zinc plated and passivated; 4mm by 10mm lg; class 6g thd	BS 4183	6		
12	A	G1	5305-99-122-5277	Z	SCREW, MACHINE ISO metric; steel; flat csk hd; zinc plated; slot drive; 4mm by 10mm lg Note:- Used with item 10 only	BS 4183	2		
13	A	G1	5310-99-138-9225	Z	WASHER, LOCK steel; split helical ring; zinc plated; 4mm nom bolt size; 6.95mm od, 1.2mm thk	BS 4464 Type A	8		
14	A	Z1	5820-99-658-1167	B	TOP CAP CASTING aluminium alloy; painted matt black; 280mm lg, 140mm w, 35mm h	SD1/ 265463	1		
15	A	Z1	5305-99-656-1204	B	SCREW, EXTERNALLY RELIEVED BODY ISO metric; steel; cres; pan hd; slot drive; 5mm by 20mm lg, scr 6mm lg	SD3/ 265330	16		
16	A	G1	5310-99-138-9226	Z	WASHER, LOCK steel; split helical ring; zinc plated; 5mm nom bolt size; 8.55mm od, 1.40mm thk	BS 4464 Type A	16		

Fig-Item	Man Code Navy -N Army -A RAF -R	NATO Stock No.	Indent	Item Name and Description	Part No/ Drawing No.	No. off	Annotations	
							Class of Store and Serv. Line	CCT Ref.
1-17	A	6MT1	5330-99-658-3172	B	RING, SEALING TOROIDAL synthetic rubber; 7-1/2in. od, 7-1/4in. id, 9/64in h; 50 deg BS hardness rating	BS 1806 OS263	1	
18	A	Z42	5985-99-653-5241	B	ADAPTOR, ANTENNA TO ANTENNA BASE	SD3/ 265562 Storno 41.5612C- 00 7462-2-10	1	
19	A	6MT1	5330-99-717-9054	B	RING, SEALING TOROIDAL rubber; 18.6mm id, 2.40mm h; 73 deg BS hardness	BS 4518 0186-24 Geo Angus RM0186- 24P5	1	
20	A	Z1	5305-99-656-3220	Z	SCREW, MACHINE ISO metric; steel; flat fillister hd; slot drive; zinc plated and passivated; 1.4mm by 8mm lg; class 6h thd	Storno 20011- 01408	3	
21	A	Z1	5310-99-640-0911	Z	WASHER, SPRING TENSION corrosion resistant steel; 1.4mm nom bolt size; 3mm od, 0.8mm o/a h	2450- 030015	3	
22	-	-	NP	B	RADIO PANEL ASSEMBLY (CRU) Note:- For spares details refer to Chapter 2-1-3-1	SD1/ 265398	1	
23	A	G1	5305-99-135-0424	Z	SCREW, MACHINE ISO metric; steel; pan hd; slot drive; zinc plated finish; 4mm by 16mm lg; class 6g thd	BS 4183	4	

RESTRICTED

ARMY EQUIPMENT
SUPPORT PUBLICATIONS

Fig-Item	Man Code		NATO Stock No.	Indent	Item Name and Description	Part No/ Drawing No.	No. off	Annotations	
	Navy -N	Army -A						RAF -R	Class of Store and Serv. Line
1-24	A	G1	5310-99-138-9225	Z	WASHER, LOCK steel; split helical ring; zinc plated; 4mm nom bolt size; 6.95mm od, 1.20mm thk	BS 4464 Type A	4		
25	A	G1	5310-99-122-3031	Z	WASHER, FLAT steel; rd; zinc plated; 4mm bolt size; 9mm od; 0.80mm thk	BS 4320 Form A	4		
26	A	G1	5310-99-135-0755	Z	NUT, PLAIN, HEXAGON ISO metric; steel; chamfered bearing surface; zinc plated; 4mm; 3.05mm h; grade 4 nut	BS 3692	4		
27	A	G1	5315-99-130-2538	Z	PIN, STRAIGHT, HEADLESS steel; 4mm dia, 10mm lg	4M6x10 DIN7 BS 1804 Pt.2	2		
28	A	Z1	5820-99-658-1169	B	GROUND PLATE aluminium alloy; 158mm by 80mm by 59mm h	SD2/ 265464	1		
29	A	G1	5305-99-135-0415	Z	SCREW, MACHINE ISO metric; steel; pan hd; slot drive; zinc plated finish; 3mm by 8mm lg; class 6g thd	BS 4183	2		
30	A	G1	5310-99-135-2545	Z	WASHER, SPRING TENSION beryllium copper; tin plated; 3mm nom bolt size, 6.40mm od, 0.61 mm o/a h	BS 4463	2		
31	A	Z37	5940-99-012-0234	B	POST, BINDING, ELECTRICAL single post; rd; 11/16in. dia, 2-7/64 in. h; screw cap; 4BA insulated	DEF 5335	2		

RESTRICTED

Fig Item	Man Code Navy - N Army - A RAF - R	NATO Stock No	Indent	Item Name and Description	Part No/ Drawing No	No Off	Annotations		
							Class of Store and Serv Line	CCT Ref	
1-32	A	Z37	5940-99-652-8396	B	INSTALLATION KIT, ELECTRICAL EQUIPMENT consists of 2 mouldings, 2 sealing rings, 1 washer, 1 solder tag, 2 locknuts	Belling & Lee 02	2		
33	A	Z99	5365-99-626-4284	B	PLUG, SCREWED aluminium alloy; rd hd; 6mm by 1mm pitch 10S metric thd; class 6g thd; blue-black anodised finish	SD3/201070/1	1		
34	A	6MT1	5330-99-642-1866	B	RING, SEALING TOROIDAL rubber; 8.10mm id, 1.6mm h; 51-60 deg BS hardness	BS 4518-0081-16 Dowty 202-510-4450	1		
35	A	Z1	4730-99-656-3099	B	ADAPTOR BUSHING steel, zinc plated; hex; 12mm ISO metric; 10mm lg male, 6mm IOS metric, 21mm lg female; 21mm o/a lg	SD3/265238	1		
36	A	6MT1	5330-99-658-4791	B	RING, SEALING, TOROIDAL rubber; 12.60mm id. 2.40 mm h; 70 deg. hardness	BS 4518-0126-24	1		
37	A	G1	5310-99-138-8852	Z	NUT, SELF-LOCKING HEXAGON ISO metric; steel; cadmium plated; nylon insert; 12mm 19mm w A/F by 12mm o/a h	Firth Cleveland PTY126/11-201	1		
38	A	Z32	5935-99-972-6832	B	SOCKET, ELECTRICAL fixed; plastics; flange mtg; 8 pole; 5A, 800V dc	McMurdo RS8	1		
39	A	G1	5305-99-135-0415	Z	SCREW, MACHINE ISO metric; steel; pan hd; slot drive; zinc plated; 3mm by 8mm lg; class 6g thd	BS 4183	2		

Fig Item	Man Code		NATO Stock No	Indent	Item Name and Description	Part No/ Drawing No	No Off	Annotations	
	Navy - N	Army - A						RAF - R	Class of Store and Serv Line
1-40	A	G1	5310-99-135- 2545	Z	WASHER, SPRING TENSION beryllium copper; tin plated; 3mm nom bolt size; 6.40mm od, 0.61 mm o/a h	BS 4463	2		
41	A		NP	B	WIRING HARNESS	SD2/ 265503	1		
42	A	Z99	5935-99-626- 5479	C	PLUG, ELECTRICAL fixed, aluminium alloy 5A; 500V ac; 7 pole; female shell; locking type	SDC/ 235025/8 Thorn 05-0599- 10-7PE	1		PL2
43	A	Z1	5820-99-656- 2703	B	BOX ASSEMBLY, CONTROL RADIO UNIT	SDO/ 265493	1		
44 NI	A	Z1	4440-99-013- 9208	B	DESICCANT CONTAINER DEHUMIDIFIER Sachet; 76mm by 63mm by 9.5mm;w/desiccant silica gel	DEF STAN 44-2 PT.4 Style DS6M	1		

RESTRICTED

5820-F-300-711

Chapter 2-1-3-1

PARTS LIST

**RADIO PANEL ASSEMBLY
(CRU)**

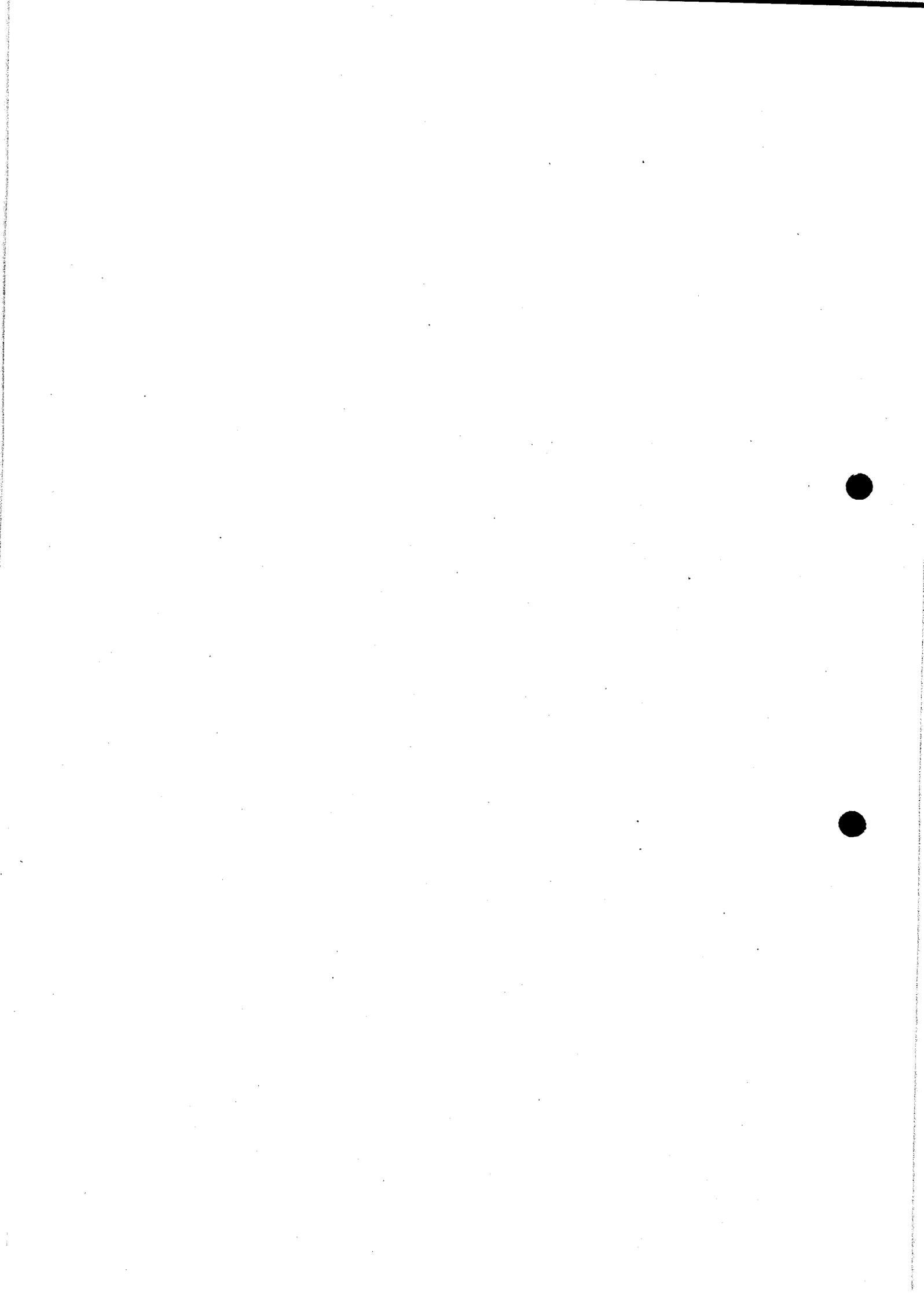
(G.A. Drawing No. SD1/265398)

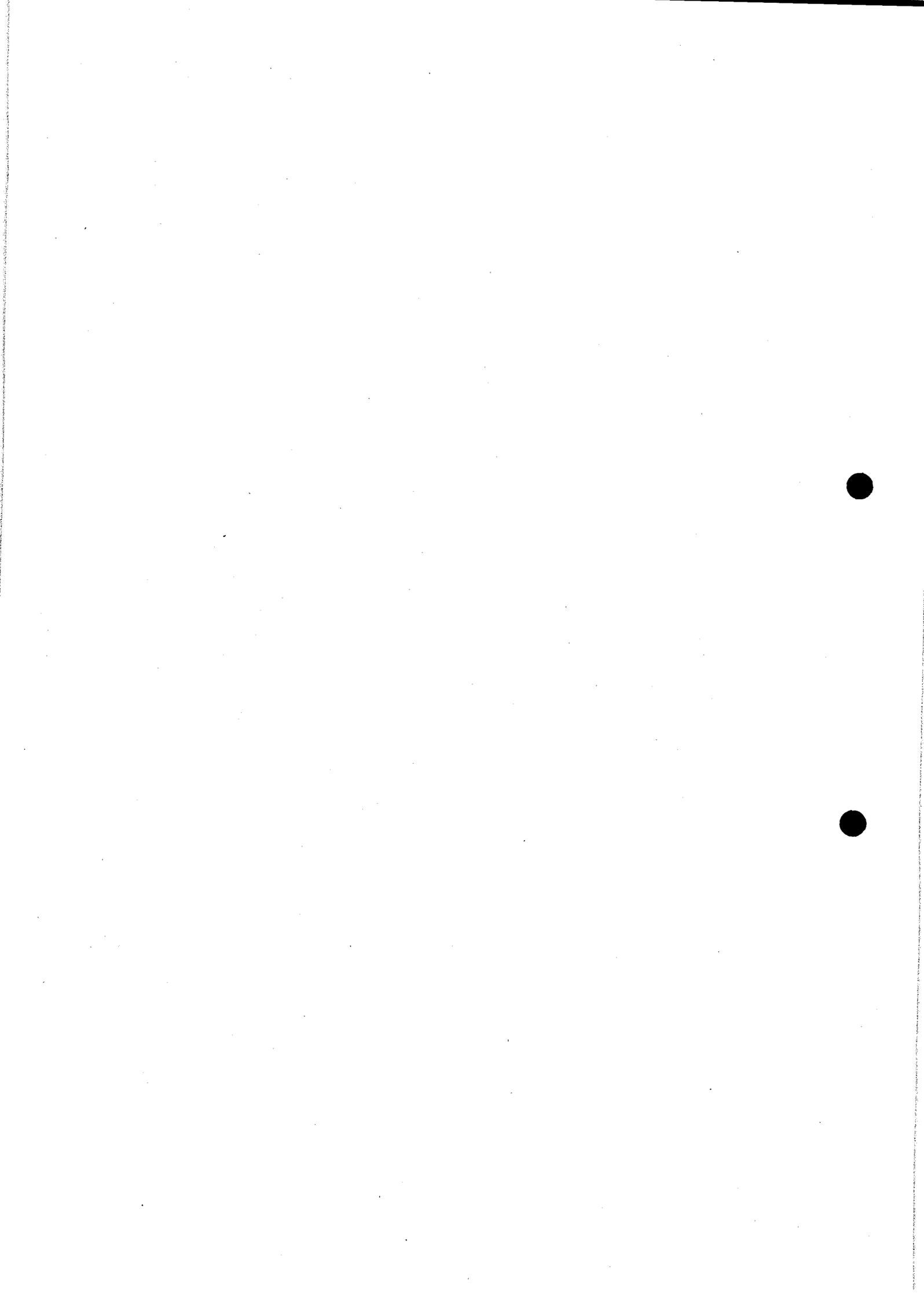
(Circuit Diagram No. N/A)

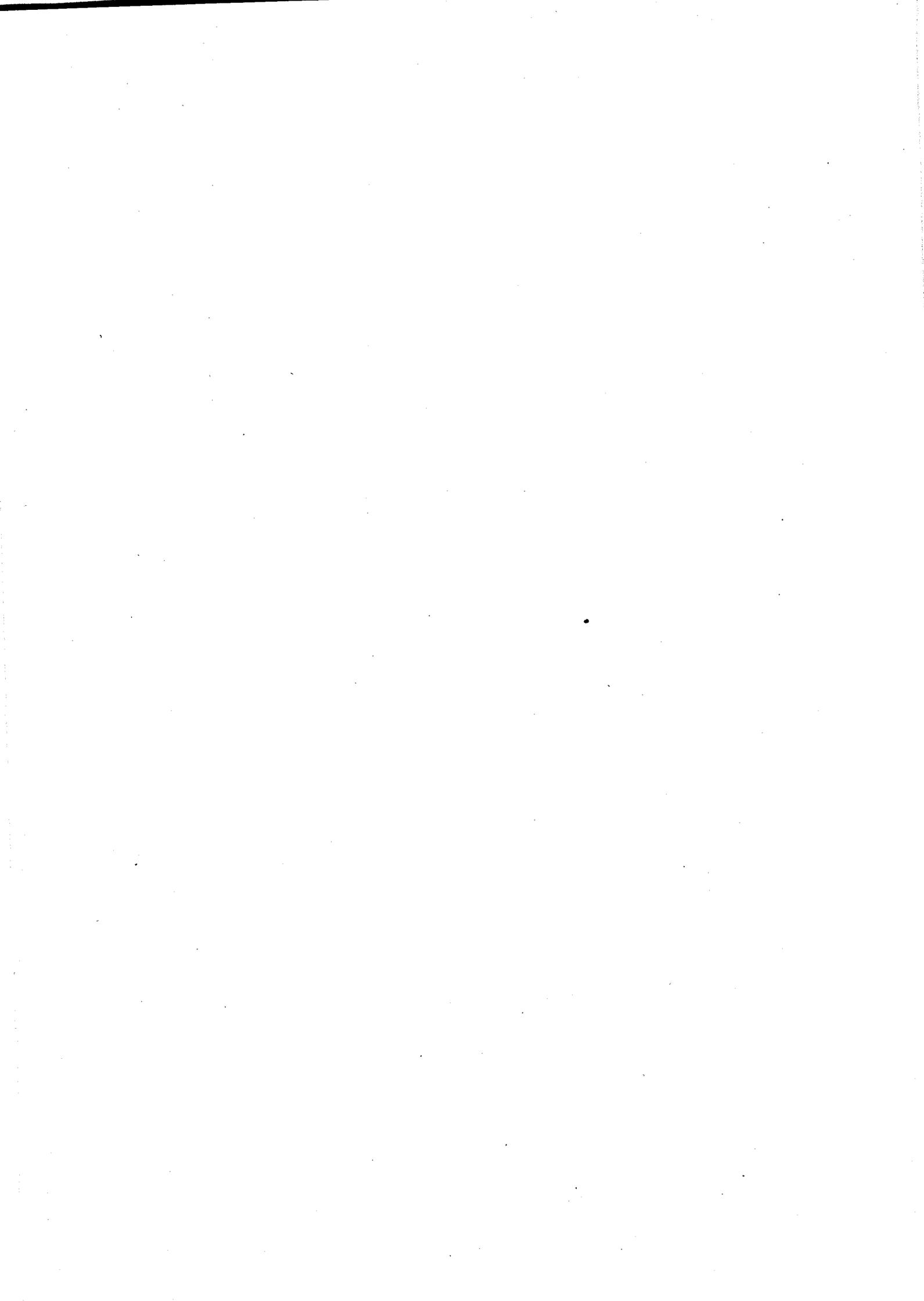
Issued October 1980

RESTRICTED

Chap 2-1-3-1
Page 1/2







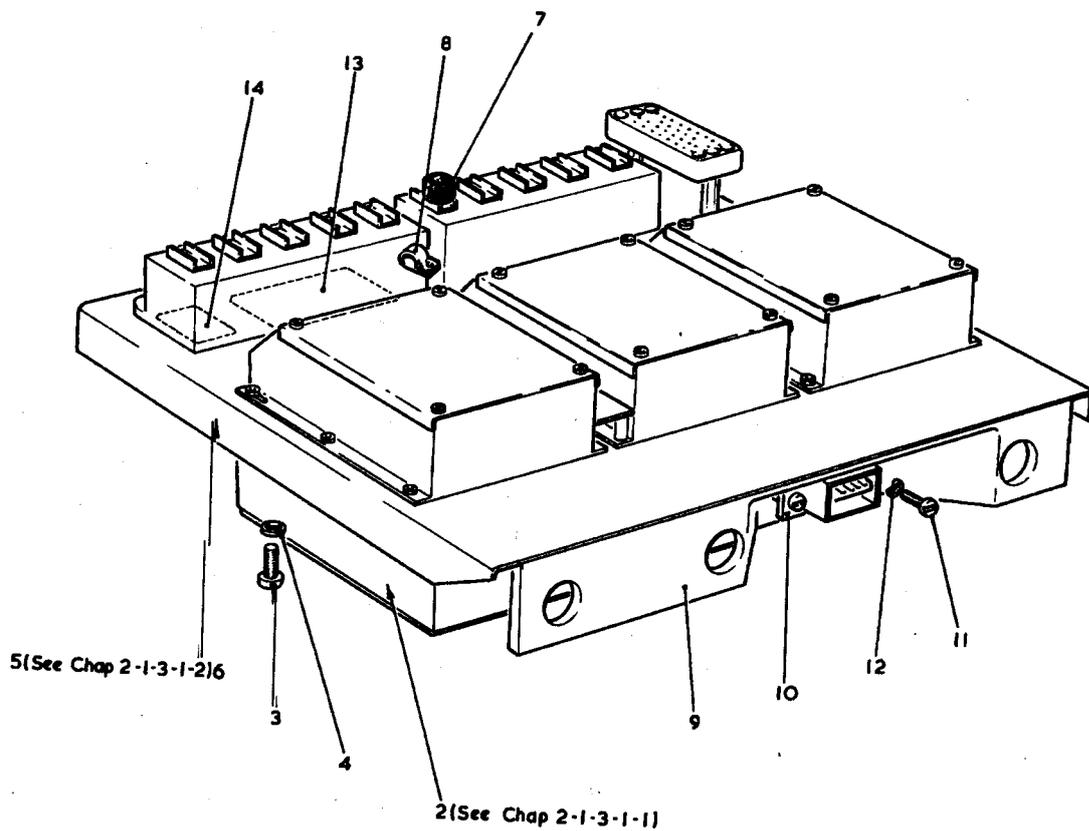


FIG.1 RADIO PANEL ASSEMBLY (CRU)

Chapter 2-1-3-1

PARTS LIST

RADIO PANEL ASSEMBLY (CRU)

Fig-Item	Man Code Navy - N Army - A RAF - R	NATO Stock No.	Indent	Item Name and Description	Part No/ Drawing No.	No. off	Annotations	
							Class of Store and Serv. Line	CCT Ref.
1.		NP	A	RADIO PANEL ASSEMBLY (CRU)	SD1/ 265398	Ref		
1-2			B	ELECTRICAL BOX ASSEMBLY(PEC) Note:- For spares details refer to Chapter 2-1-3-1-1	SD1/ 246481	1		
3	A G1	5305-99-135-0429	Z	SCREW, MACHINE ISO metric; steel pan hd; zinc plated; slot drive; 5mm by 12mm lg; class 6g thd	BS 4183	6		
4	A G1	5310-99-138-9226	Z	WASHER, LOCK steel; split helical ring; zinc plated; 5mm nom size; 8.55mm od, 1.5mm thk	BS 4464 Type A	6		
5	A Z1	5820-99-656-3219	B	AMPLIFIER, RADIO FREQUENCY Note:- For spares details refer to Chapter 2-1-3-1-2 Note:- Chassis plate supplied with above item modified as detailed at item 6	SD2/ 265601 Storno 7462-2-100 RF864-7462	1		
6			B	PLATE, MOUNTING, ELECTRICAL EQUIPMENT	SD1/ 265390	Ref		
7	A H9	5325-99-942-3415	B	GROMMET, RUBBER synthetic; 3/16in. dia hole; 5/16in. od groove; 0.100in. w groove; 7/16in. o/a dia; 0.094in. thk flange	SSM(L) 7-11	1		

Fig-Item	Man Code Navy -N Army -A RAF -R		NATO Stock No.	Indent	Item Name and Description	Part No/ Drawing No.	No. off	Annotations	
								Class of Store and Serv. Line	CCT Ref.
1-8	A	Z1	5340-99-943-6899	B	CLAMP, LOOP plastics; 1/8in. id loop; 1/4in. w; 9/64 in. dia fixing hole	DEF Stan 53-15 Table 1(A)	1		
9			NP	B	panel alignment moulding	SD1/265462	1		
10	A	Z32	5935-99-972-6831	B	PLUG, ELECTRICAL fixed; 8 pole; 5A each pole; 800V peak wkg	McMurdo RP8	1		PL1
11	A	G1	5305-99-135-0414	Z	SCREW, MACHINE ISO metric; steel; pan hd; zinc plated; slot drive; 3mm by 6mm lg; class 6g thd	BS 4183	2		
12	A	G1	5310-99-135-2545	Z	WASHER, SPRING TENSION beryllium copper; tin plated; 3mm nom bolt size; 6.40mm od, 0.61 mm o/a h	BS 4463	2		
13	A	Z1	9905-99-652-6452	B	PLATE, IDENTIFICATION rect; silver background black inscription; incised NSN No., SERIAL No. and MOD pheon; 75mm by 30mm w by 0.13mm thk	SD4/265217	1		
14	A	Z2	9905-99-649-2246	B	PLATE, MODIFICATION RECORD	R.A.E. WTB111527/14	1		