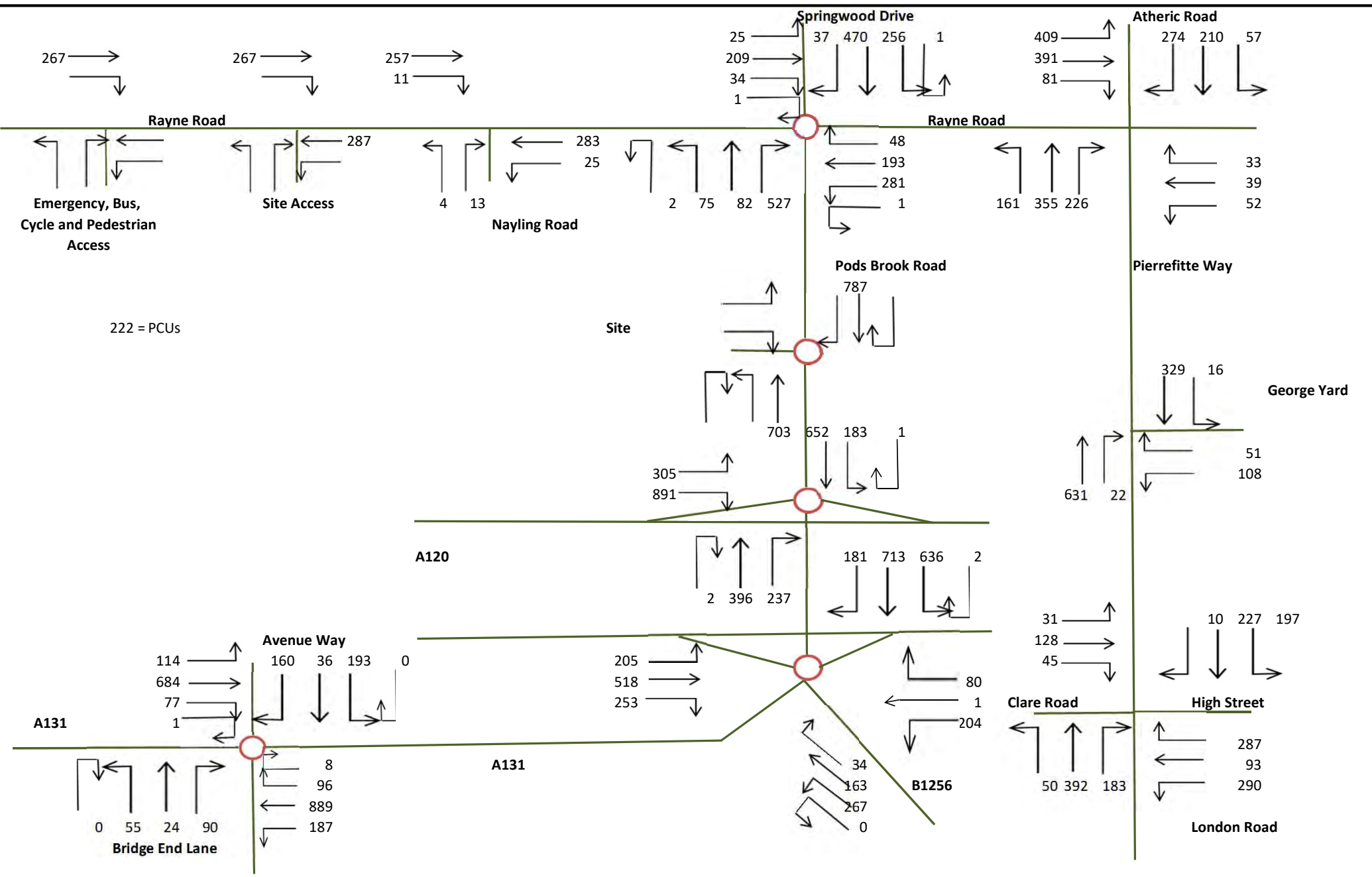


Drawing Title	AM Peak 2020 Forecast Flows Braintree Local Adjusted Growth Factor 1.0544 2015-2020 200 Units
Project Title	Brook Green

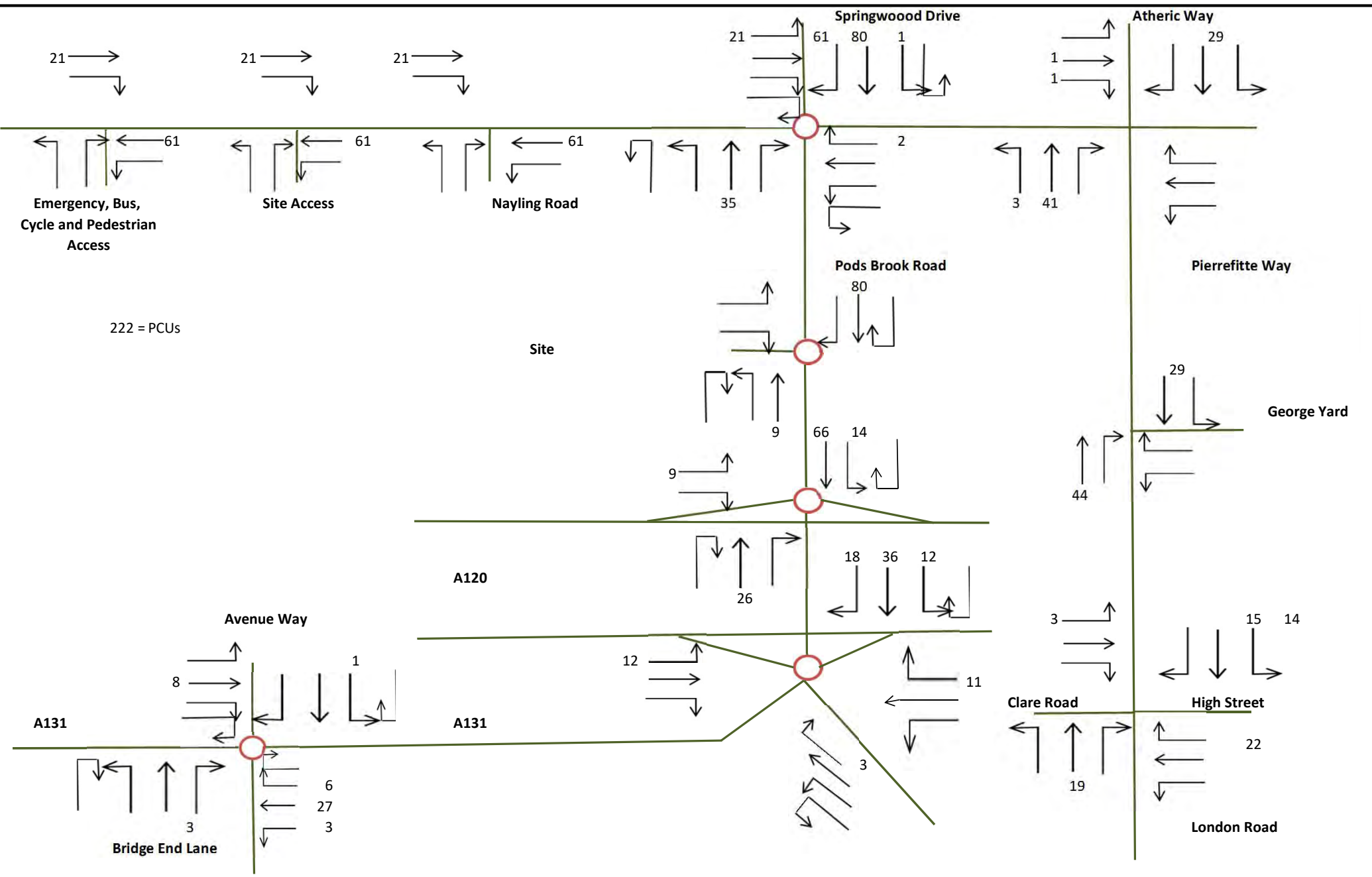
Drawn	SAA
Date	20/01/2017
Ref	Figure 3




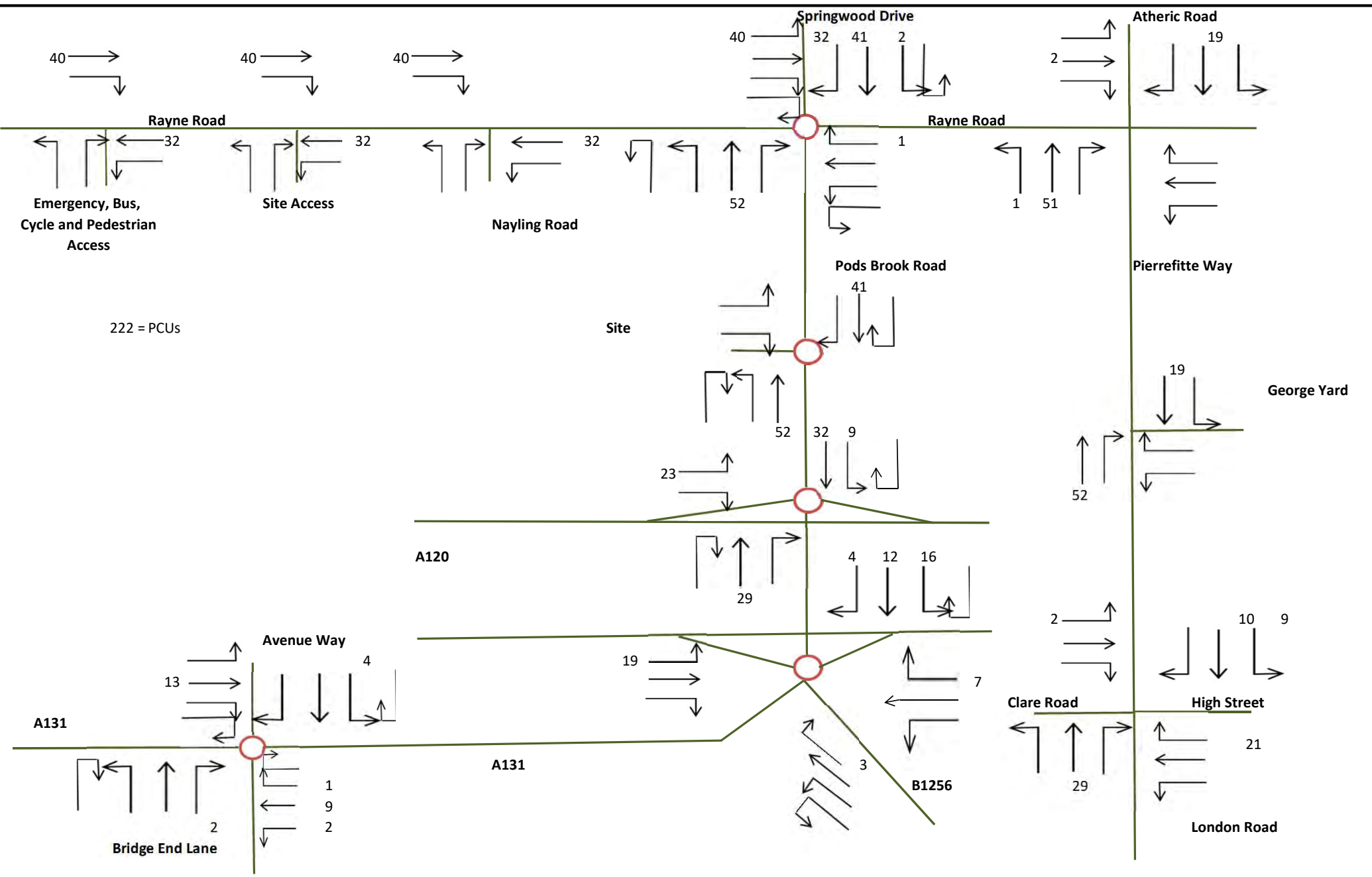


Drawing Title	PM Peak 2020 Forecast Flows Braintree Local Adjusted Growth Factor 1.0568 2015-2020 200 Units	Drawn	SAA	
	Project Title	Brook Green	Date	20/01/2017
			Ref	Figure 4



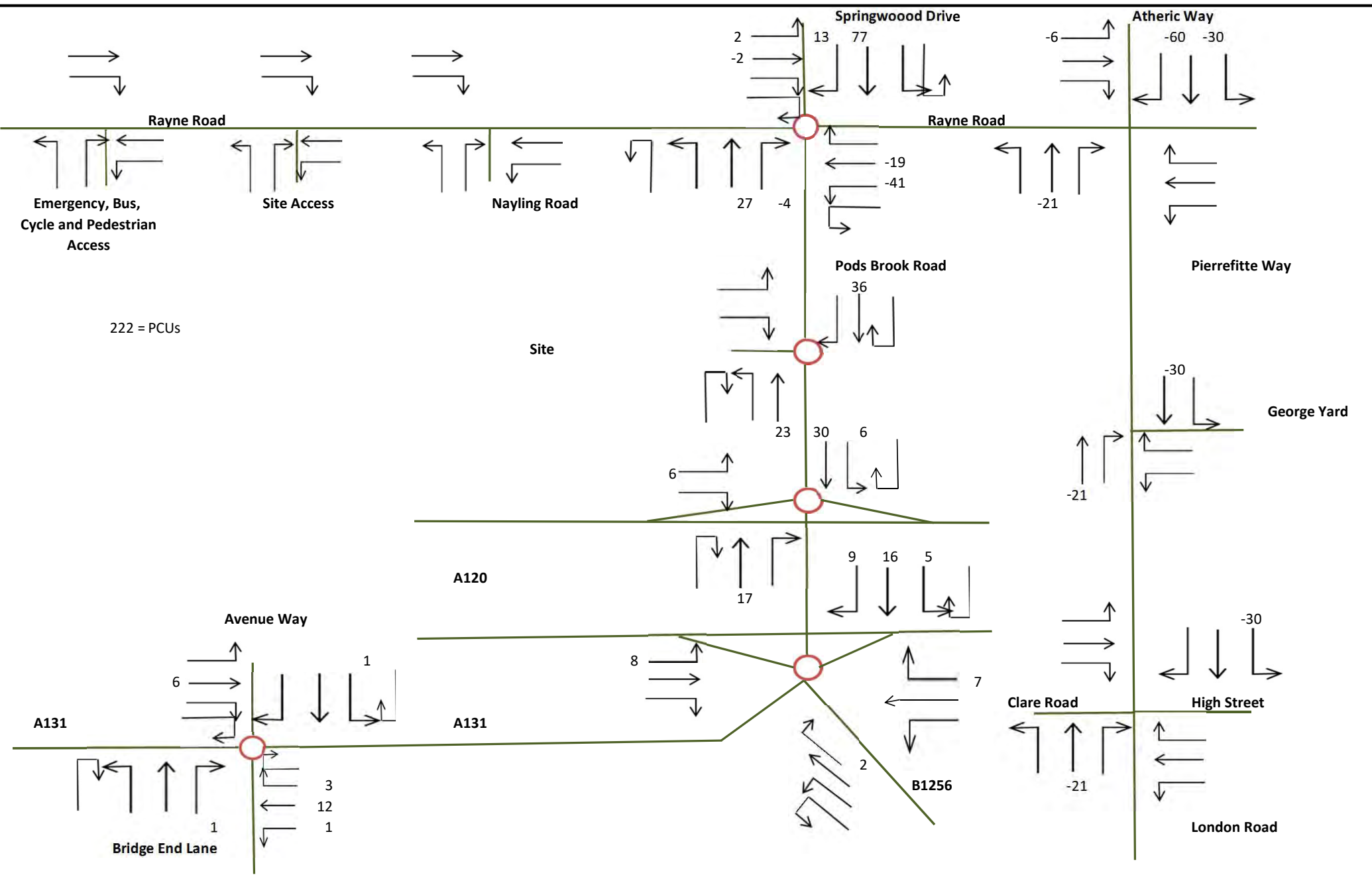



Drawing Title	AM Peak 08:00-09:00 Committed Development Flows Braintree 200 Units	Drawn	SAA
		Date	20/01/2017
		Ref	Figure 5
Project Title	Brook Green		

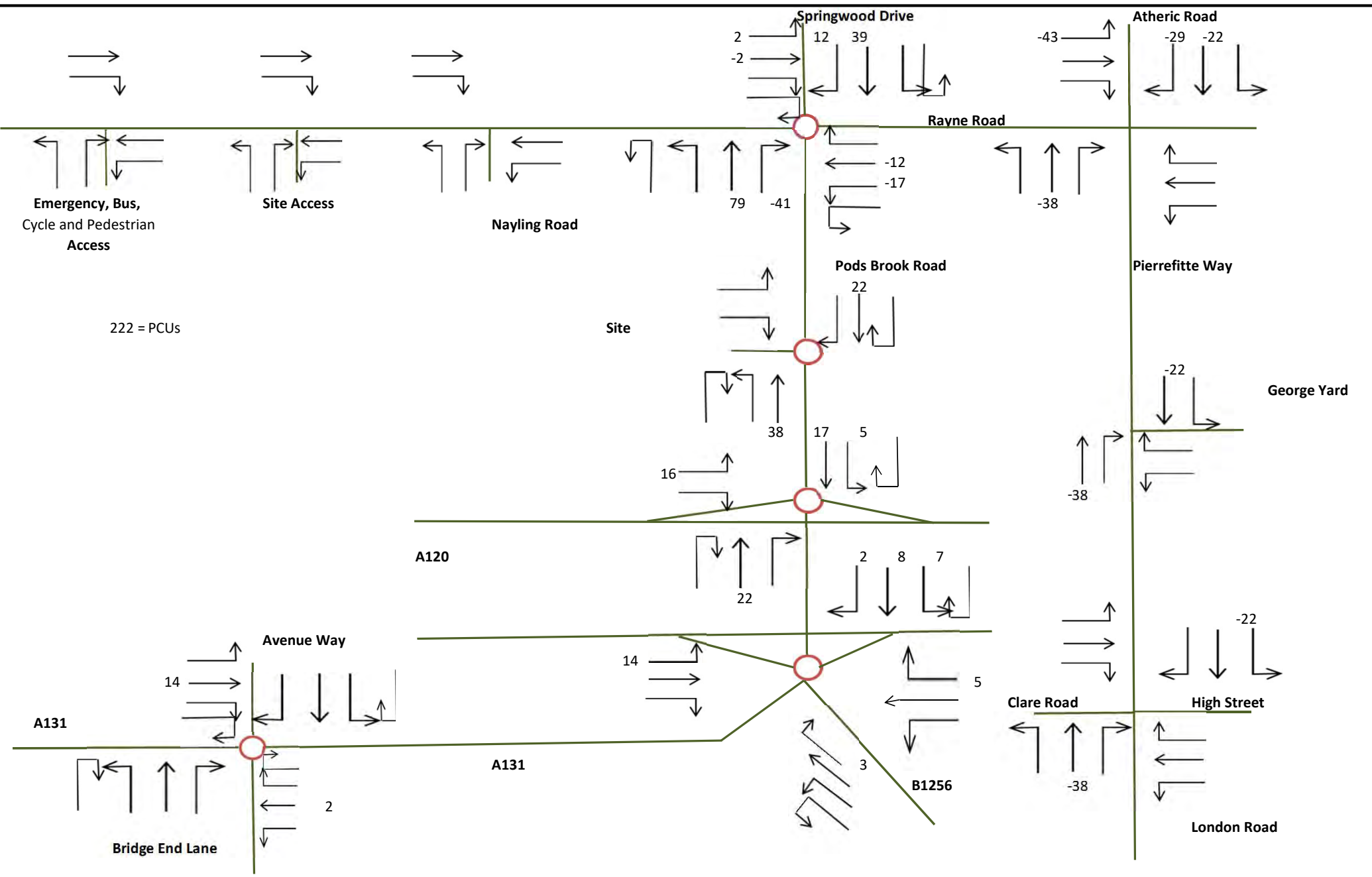



Drawing Title	PM Peak 17:00-18:00 Committed Development Flows Braintree 200 Units	Drawn	SAA
		Date	20/01/2017
		Ref	Figure 6
Project Title	Brook Green		

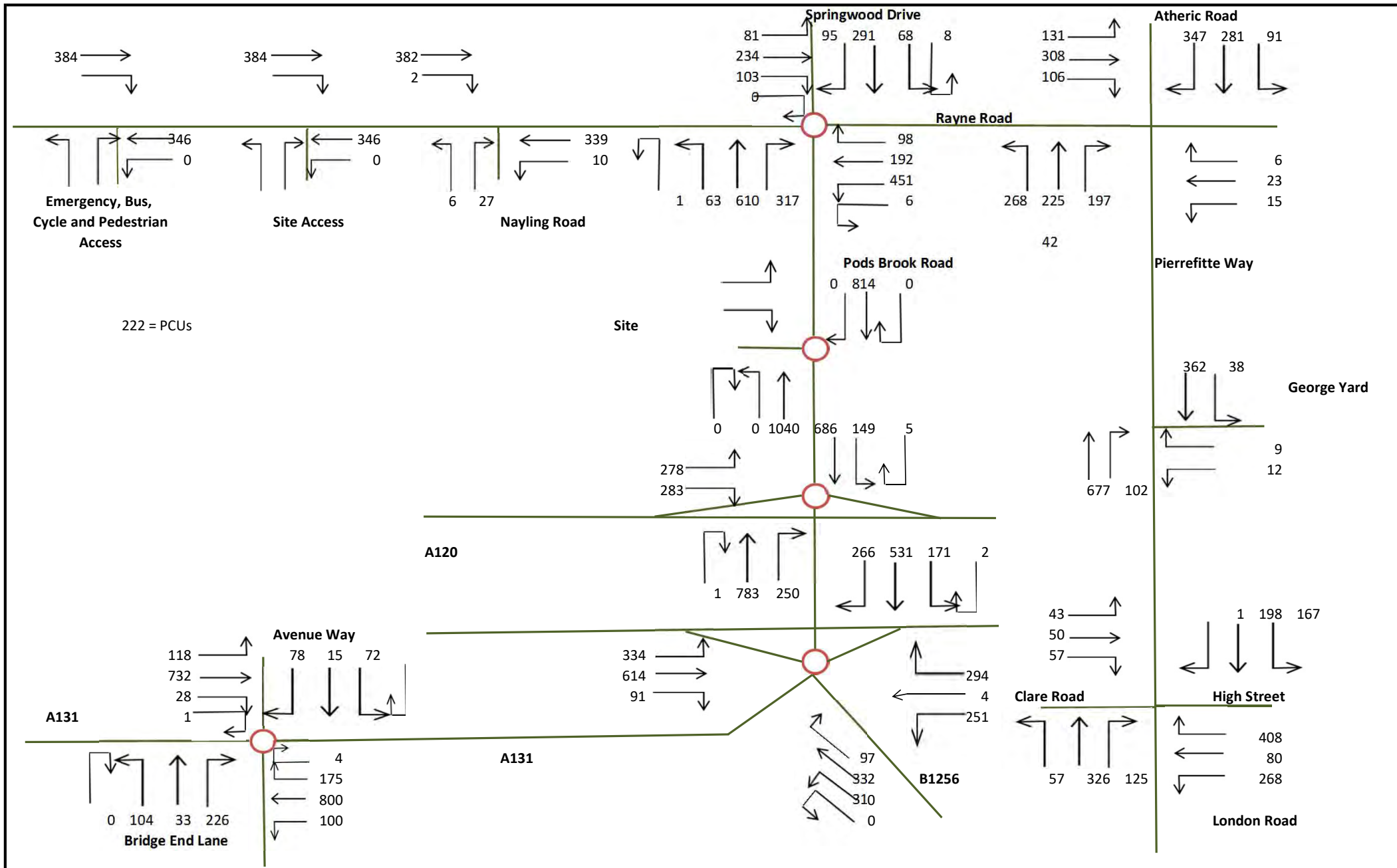




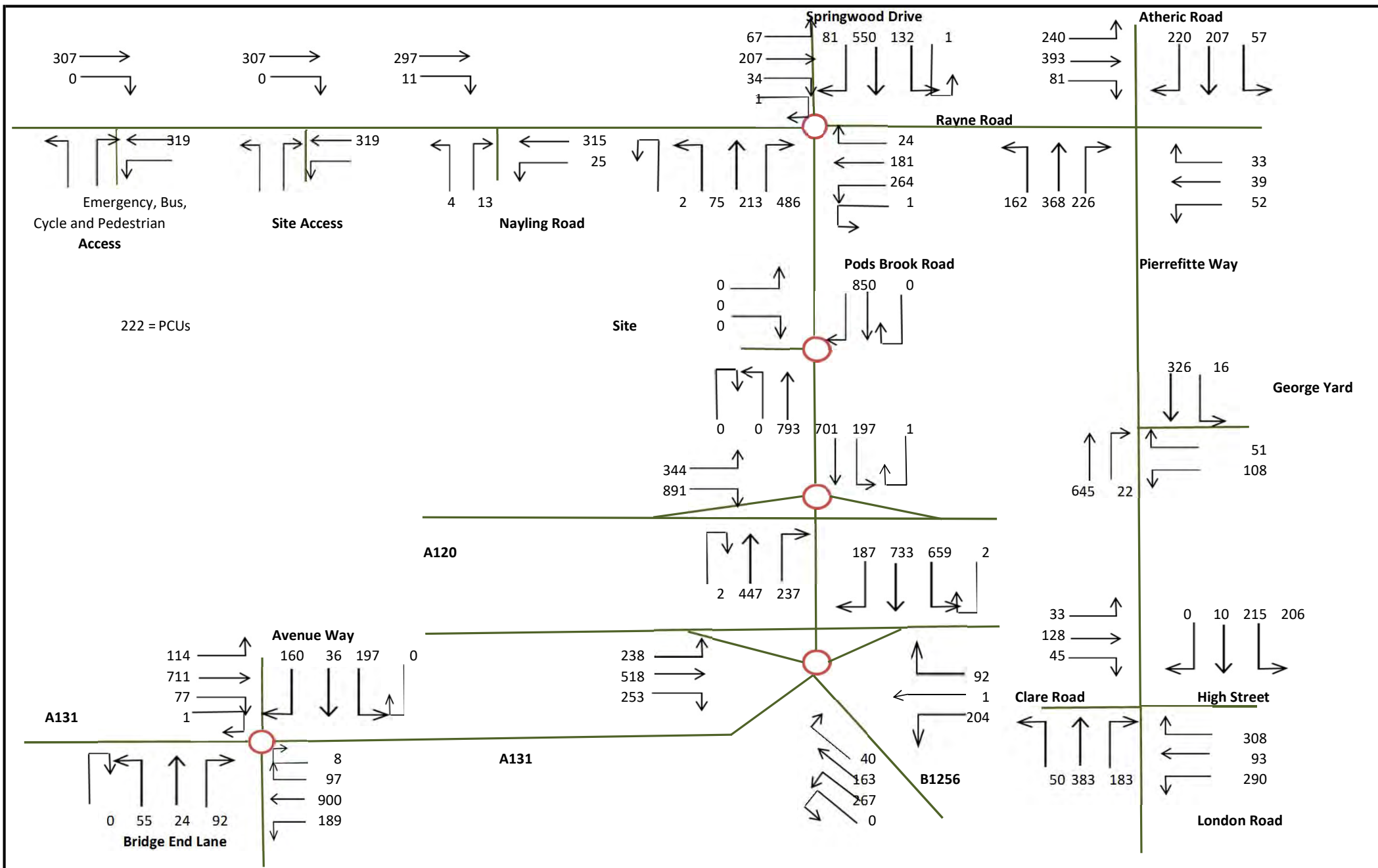
Drawing Title	AM Peak 08:00-09:00 Existing Springwood Drive Residential Re-Assigned Traffic Braintree 200 Units	Drawn	SAA
		Date	20/01/2017
		Ref	Figure 7
Project Title	Brook Green		




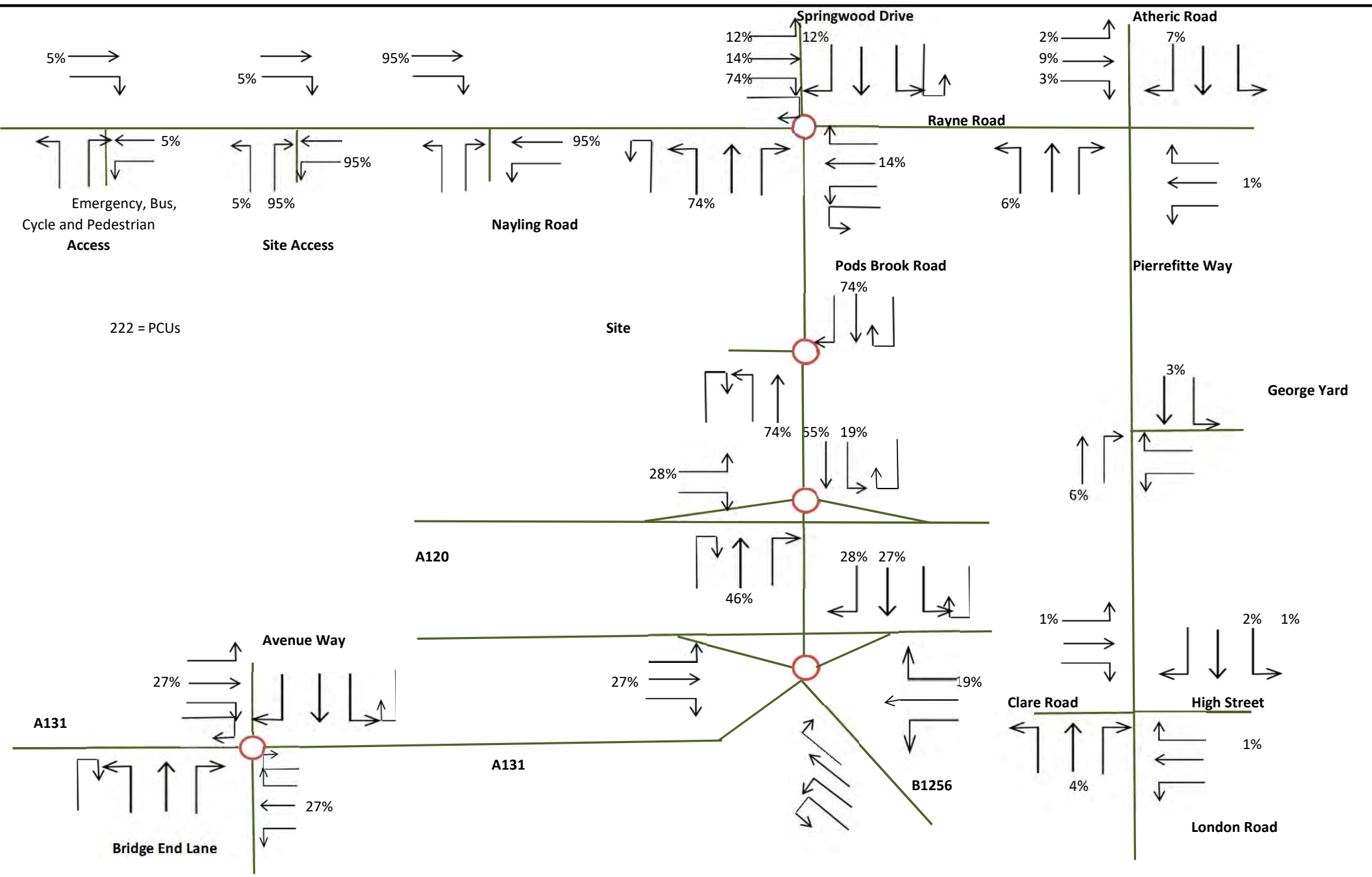
Drawing Title	PM Peak 17:00-18:00 Existing Springwood Drive Residential Re-Assigned Traffic Braintree 200 Units	Drawn	SAA
		Date	20/01/2017
		Ref	Figure 8
Project Title	Brook Green		




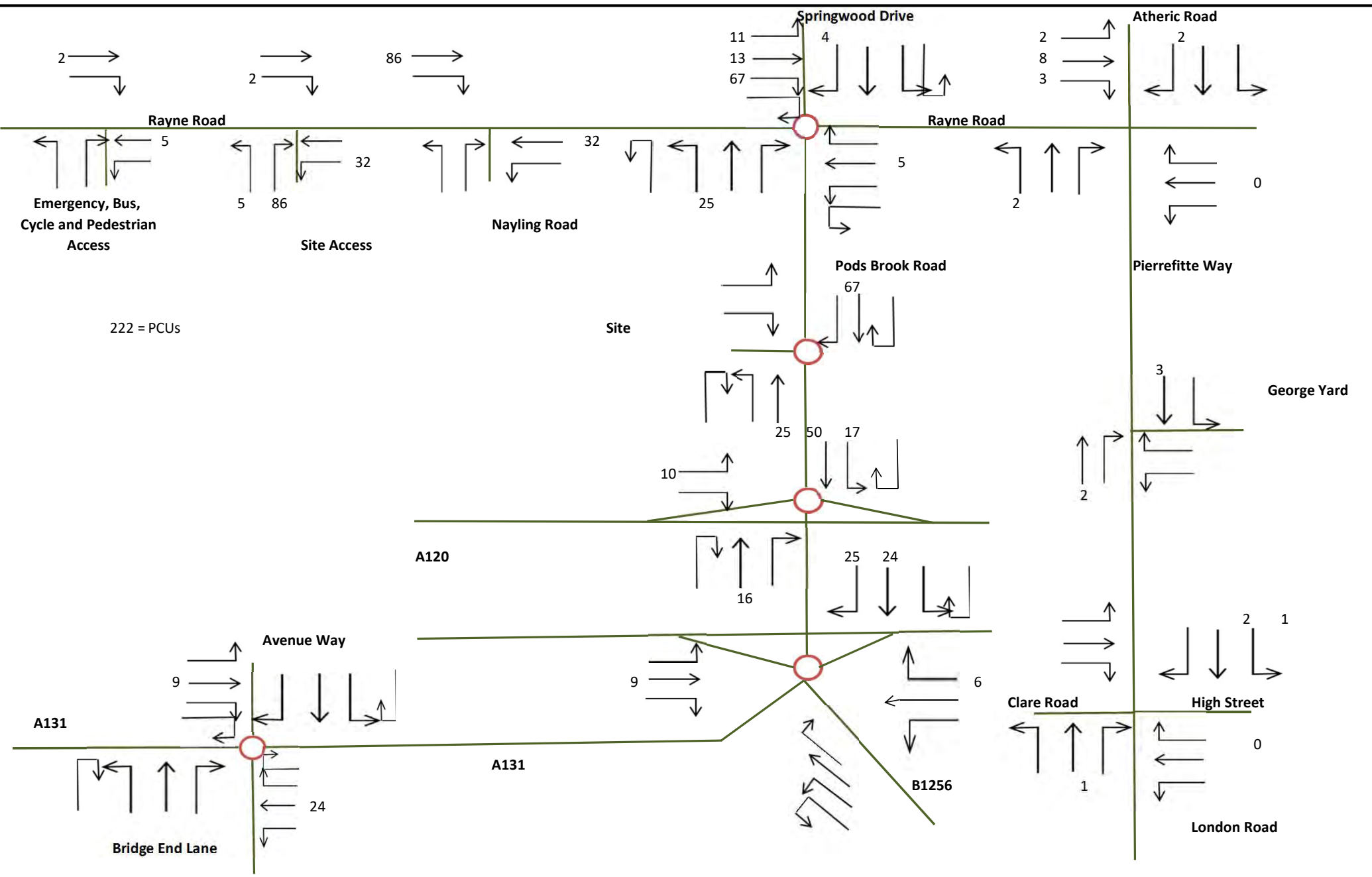
Drawing Title	AM Peak 2020 Total Committed with Panfield Lane Flows	Drawn	SAA	
	200 Units	Date	20/01/2017	
Project Title	Brook Green	Ref	Figure 9	




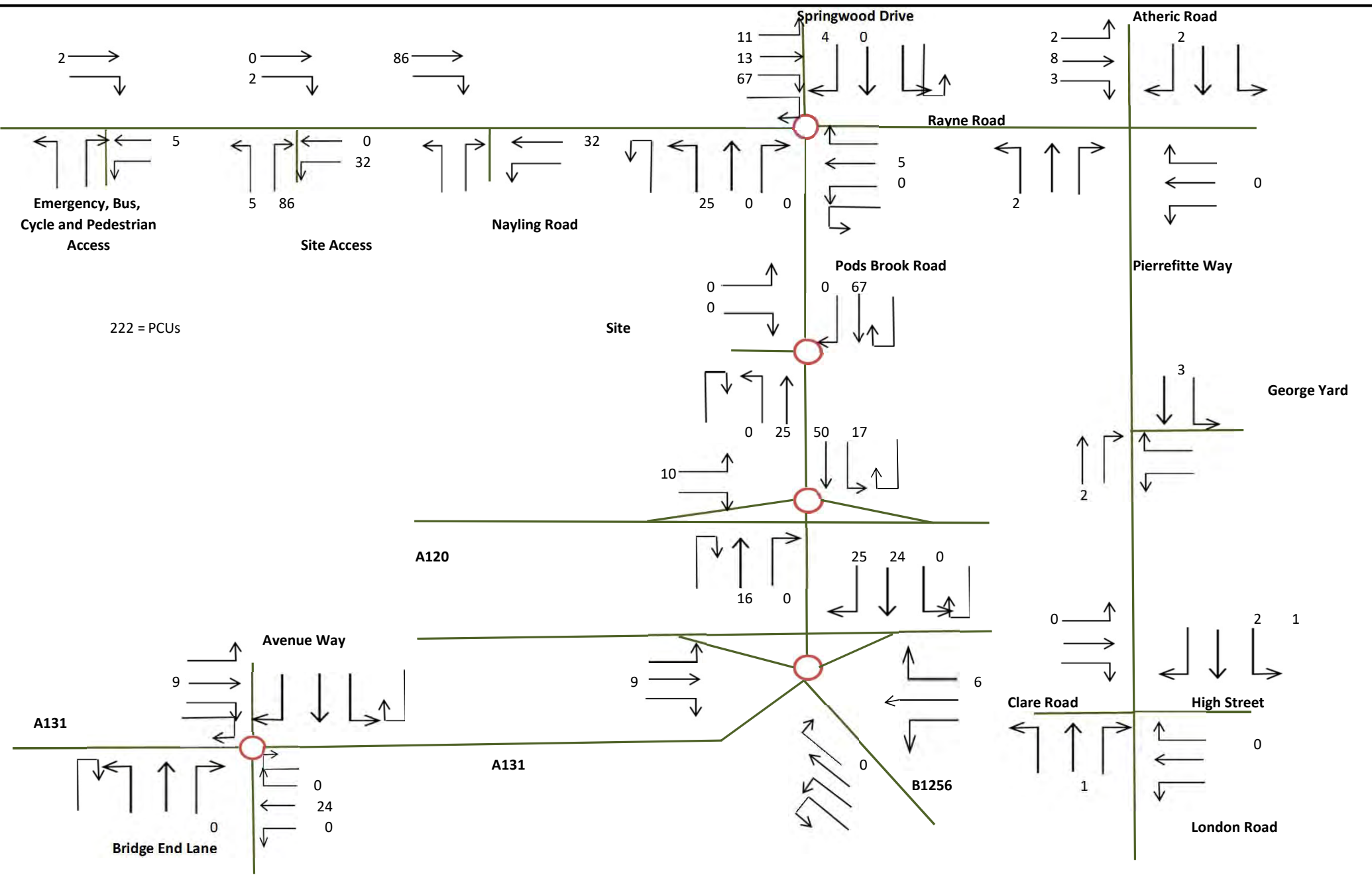
Drawing Title	PM Peak 2020 Total Plus Committed With Panfield Lane Flows	Drawn	SAA	
	200 Units	Date	20/01/2017	
Project Title	Brook Green	Ref	Figure 10	



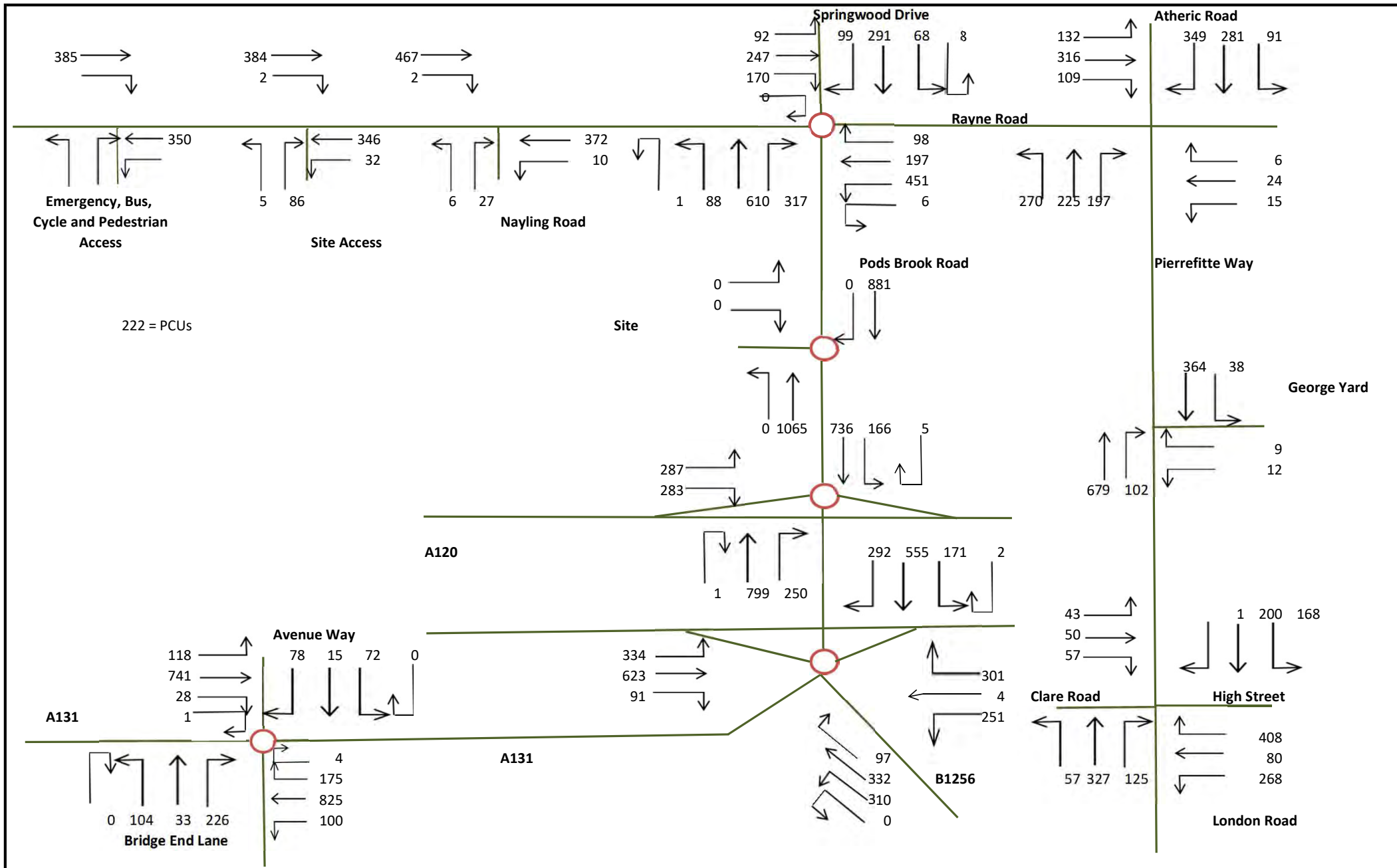
Drawing Title	Rayne Road Access Distribution Highways England Agreed Distribution	Drawn	SAA	
	200 Units	Date	20/01/2017	
Project Title	Brook Green	Ref	Figure 11	



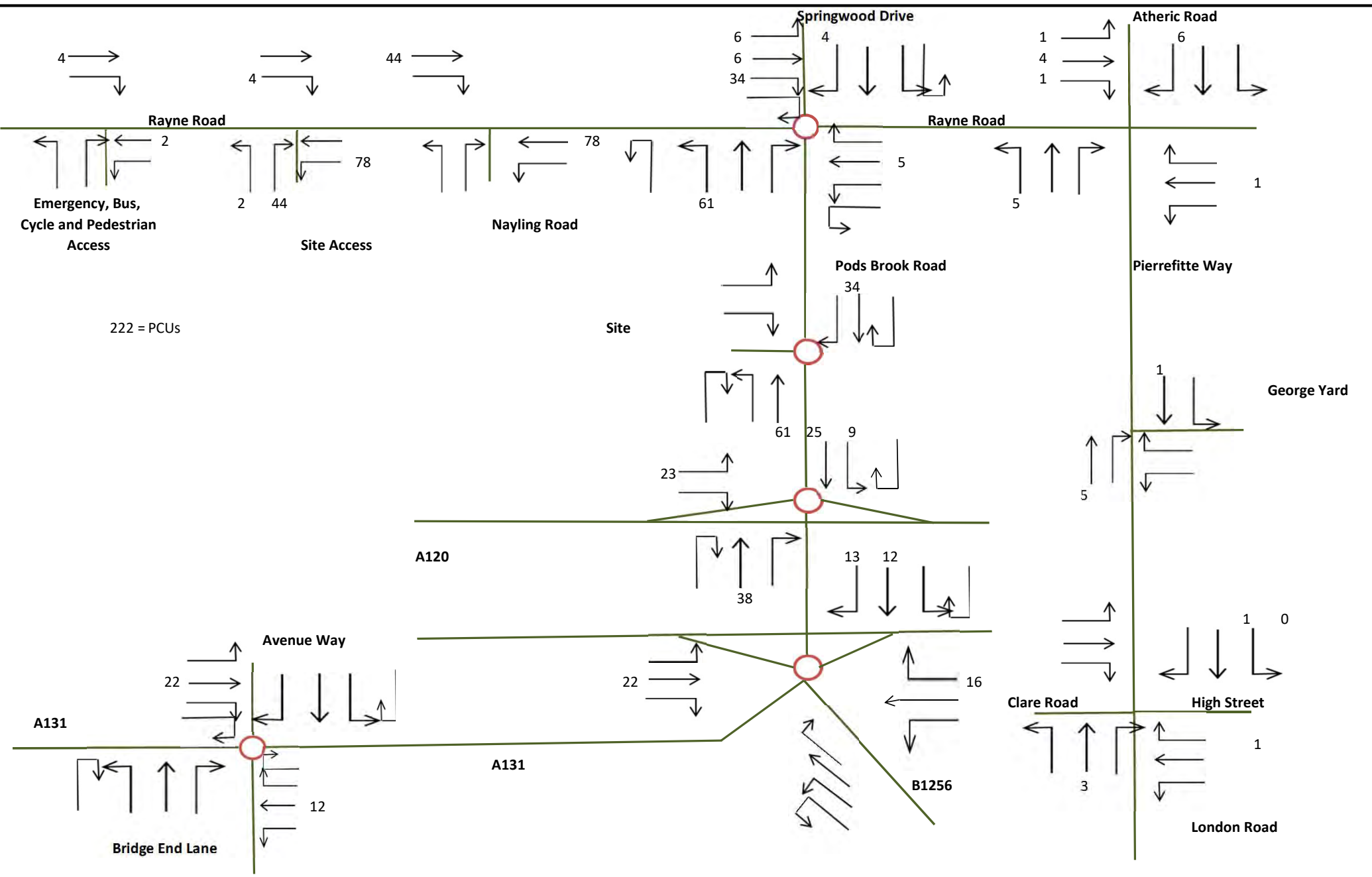
Drawing Title	AM Peak Rayne Road Residential Flows 200 units	Drawn	SAA	
	200 Units	Date	20/01/2017	
Project Title	Brook Green	Ref	Figure 12	




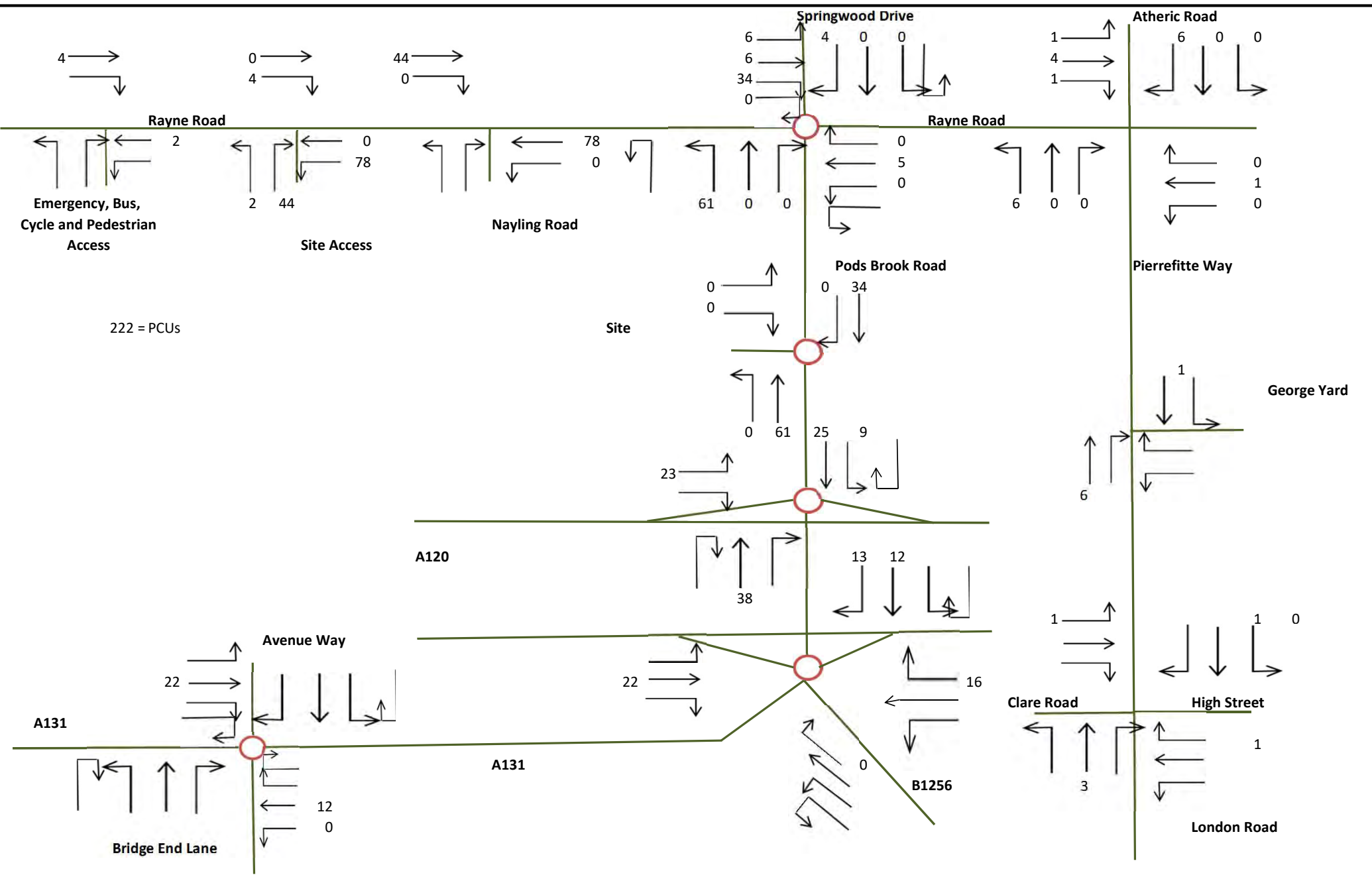
Drawing Title	AM Peak Total Development Trips	Drawn	SAA	
	200 Units	Date	20/01/2017	
Project Title	Brook Green	Ref	Figure 13	



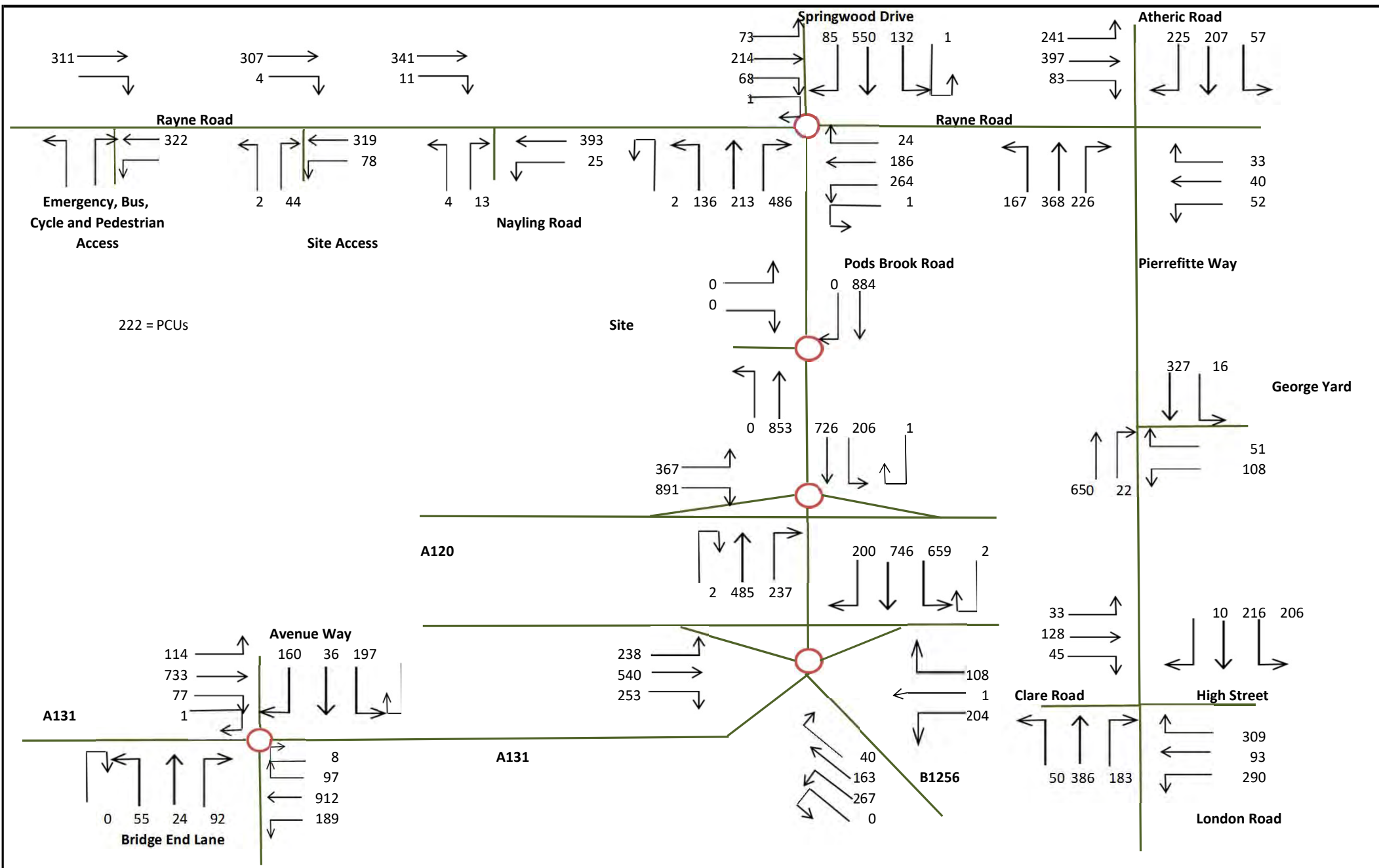
Drawing Title	AM Peak 2020 Total With Development Flows 200 units	Drawn	SAA	
	200 Units	Date	20/01/2017	
Project Title	Brook Green	Ref	Figure 14	



Drawing Title	PM Peak Rayne Road 200 units Residential Trips	Drawn	SAA	
	200 Units	Date	20/01/2017	
Project Title	Brook Green	Ref	Figure 15	



Drawing Title	PM Peak Total Development Flows 200 units	Drawn	SAA	
	200 Units	Date	20/01/2017	
Project Title	Brook Green	Ref	Figure 16	



Drawing Title	PM Peak 2020 Total With Development Flows 200 units	Drawn	SAA	
	200 Units	Date	20/01/2017	
Project Title	Brook Green	Ref	Figure 17	