



Ministry
of Defence



[REDACTED]
DE&S Secretariat (Land Equipment)

DESSEC-PolSecLE-JSC-WPNS@mod.uk

Defence Equipment & Support
Maple 0a # 2043
MOD Abbey Wood
Bristol BS34 8JH



[REDACTED]
Via:
[REDACTED]

6th June 2017 Our Ref: FOI2017/05637

Dear [REDACTED],

Thank you for your email of 30th May 2017 requesting the following information:

I would like to make a Freedom of Information request for a copy of AESP 2320-D-122-741, Truck Utility Light, Truck Utility Medium, Land Rover 90/110, Winterised Variants.

I am treating your correspondence as a request for information under the Freedom of Information Act 2000 (FOIA).

A search for the information has now been completed within the Ministry of Defence, and I can confirm that information in scope of your request is held and is attached to this letter.

If you are not satisfied with this response or you wish to complain about any aspect of the handling of your request, then you should contact me in the first instance. If informal resolution is not possible and you are still dissatisfied then you may apply for an independent internal review by contacting the Information Rights Compliance team, Ground Floor, MOD Main Building, Whitehall, SW1A 2HB (e-mail CIO-FOI-IR@mod.uk). Please note that any request for an internal review must be made within 40 working days of the date on which the attempt to reach informal resolution has come to an end.

If you remain dissatisfied following an internal review, you may take your complaint to the Information Commissioner under the provisions of Section 50 of the Freedom of Information Act. Please note that the Information Commissioner will not investigate your case until the MOD internal review process has been completed. Further details of the role and powers of the Information Commissioner can be found on the Commissioner's website, <http://www.ico.org.uk>.

Yours sincerely,

[REDACTED]

[REDACTED]

DES SEC Pol Sec Land Equipment



**FOR OFFICIAL USE ONLY
CROWN COPYRIGHT RESERVED**

CONDITIONS OF RELEASE

- 1 This information is released by the UK Government for Defence purposes only.
- 2 This information must be accorded the same degree of security protection as that accorded thereto by the UK Government.
- 3 This information may be disclosed only within the Defence Department of the recipient Government, except as otherwise authorized by the Ministry of Defence (Army).
- 4 This information may be subject to privately owned rights.

**TRUCK UTILITY LIGHT,
TRUCK UTILITY MEDIUM,
LAND ROVER 90/110,
WINTERISED VARIANTS**

**COMPLETE EQUIPMENT SCHEDULE
SERVICE EDITION
SIMPLE EQUIPMENT**

BY COMMAND OF THE DEFENCE COUNCIL

Ministry of Defence
Issued by
**ARMY TECHNICAL SUPPORT AGENCY
DIRECTORATE OF TECHNICAL SERVICES**

AMENDMENT RECORD

Amdt No.	Incorporated By (Signature)	Date
1		
2		
3		
4		
5		
6		
7		
8		
9		
10		
11		
12		
13		
14		
15		
16		
17		
18		
19		
20		
21		
22		
23		
24		
25		
26		
27		
28		
29		
30		
31		

Amdt No.	Incorporated By (Signature)	Date
32		
33		
34		
35		
36		
37		
38		
39		
40		
41		
42		
43		
44		
45		
46		
47		
48		
49		
50		
51		
52		
53		
54		
55		
56		
57		
58		
59		
60		
61		
62		

CONTENTS

PRELIMINARY MATERIAL	Page
Front cover (title page)	(i)/(ii)
Conditions of release	(i)/(ii)
Amendment record	(iii)/(iv)
Contents (this list)	(v)
Preface	(vi)
Related and associated publications	(vii)
List of abbreviations and symbols	(ix)
Comments on AESP (Form 10)	(Penultimate leaf)
AESP Customer registration form	Final leaf

COMPLETE EQUIPMENT SCHEDULE (SERVICE) INFORMATION

Chapter

- 1 General Information
- 2 CES - TRUCK UTILITY LIGHT / TRUCK UTILITY MEDIUM
- 2-1 EQUIPMENT IDENTITY AND CES ITEMS - TUL/TUM - ALL VARIANTS
- 2-2 ITEMS PECULIAR TO FFR VARIANT
- 2-3 ITEMS PECULIAR TO WINTERISED VARIANT
- 3 Indexes
- 3-1 Index of NATO Stock Numbers to Chapter, Figure and Item Numbers
- 3-2 Index of Manufacturers' Part/drawing Numbers to Chapter, Figure and Item Numbers
- 3-3 Not Issued
- 3-4 Index of NATO Supply Code for Manufacturers to Manufacturers' Name

PREFACE

Sponsor: DDOR (Armr&CSV) S02b
Publication Agency: Army Technical Support Agency
Production Branch: ES52c

Introduction

- 1 Any comments by service users on this publication should be forwarded through the channels prescribed in AESP 0100-P-011-013. An AESP Form 10 is provided at the end of this publication; it should be photocopied and used for forwarding comments on this AESP.
- 2 Service users must register their requirements on the AESP Form 1(M) attached to this document. Failure to do so will result in the user not receiving the automatic issue of future amendments or additions. The Form 1(M) should be completed and returned to ATSA as shown on the form.
- 3 AESPs are issued under Defence Council authority and where AESPs specify action to be taken, the AESP will of itself be sufficient authority for such action and also for the demanding of the necessary stores, subject to the provisions of Para 4 below.
- 4 The subject matter of this publication may be affected by Defence Council Instructions (DCIs), Standard Operating Procedures (SOPS) or by local regulations. When any such Instruction, Order or regulation contradicts any portion of this publication it is to be taken as the overriding authority.

Instructions for use by units

- 5 Detailed instructions for use by Units are given in Materiel Regulations for the Army Vol 1 Pam 1.

Initial issues by RLC

- 6 Initial issues by RLC as detailed below:
 - 6.1 One copy of the CES will be attached to the Units copy of the issue voucher and one further copy accompany every equipment.
 - 6.2 Deficiencies (if any) will be enfacod on the covering issue voucher by reference to the Serial Number of the items listed in the simple CES.
 - 6.3 'To follow' vouchers will not be created.
 - 6.4 All items listed in the CES can be issued separately. If any listed herein becomes unserviceable it should be extracted and exchanged and the equipment retained pending receipt. Transfers between equipment holders should normally be complete to CES.

In lieu items

- 7 Authorised 'in lieu' items held against this CES will not be replaced until such time as they are no longer serviceable. When replacement becomes necessary the correct item, as listed in the CES, will be demanded.

General notes

- 8 Certain items may be annotated as follows:
 - 8.1 (E) - Expendable stores, consumable stores and material, 'NON LEDGER' spare parts of minor value.
 - 8.2 (X) - ESSENTIAL ITEMS without which the RLC will not issue the equipment.
 - 8.3 (*) - This star indicates the accountability classification of the item.

8.4 (NI) - (Not Illustrated) when appearing with a number in the 'Fig Item' column indicates that the item is not illustrated.

8.5 (NIV) - (Not in Vocabulary) indicates that the item is not available within the Stores System.

Amendments

9 Amendments to the catalogue will be published as and when necessary. These will be numbered consecutively, and the Amendment record sheet is to be completed for each amendment list embodied. New or amended material will be highlighted by side lining to show the extent of the amendment.

Indentations

10 Items are listed in a logical assembly/disassembly order and are indented by the 'dot system' in which each 'Dot' depicts the relationship of the item to the assembly.

MAIN ASSEMBLY.
Attaching parts for main assembly.

FIRST LEVEL OF BREAKDOWN (Sub-assembly or part of main assembly).
Attaching parts for first level.

SECOND LEVEL OF BREAKDOWN (Sub-sub-assembly or detail part of Sub-assembly).
Attaching parts for second level.

Description

11 The item Description and Annotation Block is also to convey additional information to the CES user, which will appear in brackets ie related location detail, eg another AESP or Chapter/Item within this AESP.

RELATED AND ASSOCIATED PUBLICATIONS

Related publications

12 The octad for the subject equipment consists of the publications shown in Table 1. All references are prefixed with the first eight digits of this publication. The availability of the publications can be checked by reference to the relevant Group Index (see AESP 01 00-A-001 -013).

Associated publications

13	<u>Reference</u>	<u>Title</u>
	Nil	

TABLE 1 CATEGORIES AND INFORMATION LEVELS

Category/Sub-category			Information Level			
			1 User/ Operator	2 Unit Maintenance	3 Field Maintenance	4 Base Maintenance
1	0	Purpose and Planning Information	101	101	101	101
	1	Equipment Support Policy Directives	111	111	111	111
2	0	Operating Information	201	*	*	*
	1	Aide-Memoire	*	*	*	*
	2	Training Aids	*	*	*	*
3		Technical Description	*	302	*	*
4	1	Installation Instructions	411	*	*	*
	2	Preparation for Special Environments	421	*	*	*
5	1	Failure Diagnosis	*	512	*	*
	2	Repair Instructions	*	522	*	524
	3	Inspection Standards	*	532	533	*
	4	Calibration Procedures	*	*	*	*
6		Maintenance Schedules	601	601	601	601
7	1	Illustrated Parts Catalogues	711	711	711	711
	2	Commercial Parts Lists	721	721	721	721
	3	Complete Equipment Schedule, Production	*	*	*	*
	4	Complete Equipment Schedule, Service Edition (Simple Equipment)	741	*	*	*
	5	Complete Equipment Schedule, Service Edition (Complex Equipment)	*	*	*	*
8	1	Modification Instructions	811	811	811	811
	2	General Instructions, Special Technical Instructions and Servicing Instructions	821	821	821	821
	3	Service Engineered Modification Instructions (RAF only)	831	831	831	831

*Category/Sub-category not published

LIST OF ABBREVIATIONS AND SYMBOLS

ABBREVIATIONS

14 The following abbreviations are listed and included at the discretion of the publication authority.

A	Ampere	H	Height (High)
AC	Alternating Current	HD	Head
A/F	Across Flats	HEX	Hexagon
AH	Ampere Hour	HT	High Tension
ANC	American National Coarse Thread		
ANF	American National Fine Thread	ID	Internal Diameter
ANP	American National Pipe Thread	IN	Inch(es)
ANPT	American National Pipe Taper Thread	INT	Internal
AR	As Required	IPC	Illustrated Parts Catalogue
ASSY	Assembly		
		KPH	Kilometres Per Hour
BA	British Association Screw Thread		
BC	Bayonet Cap	LG	Length (Long)
BSF	British Standard Fine Thread	LH	Left Hand
BSP	British Standard Pipe Thread	LHD	Left Hand Drive
BSPP	British Standard Pipe Parallel Thread	LM	Local Manufacture
BSPT	British Standard Pipe Taper Thread		
BSW	British Standard Whitworth	M	Metre
		MAX	Maximum
C	Celsius (centigrade)	MCC	Miniature Centre Contact
CC	Cubic Centimetre(s)	MES	Miniature Edison Screw
CTOC	Centre to Centre	MIN	Minimum/Minute
CH	Chassis/Cheese	MK	Mark
CI	Cast Iron	MM	Millimeter
CIRC	Circumference	MPH	Miles Per Hour
CONT	Continued	MTD	Mounted
CRES	Corrosion Resistant Steel	MTG	Mounting
C/S	Cycles Per Second	MTL	Material
CSK	Countersunk		
CTS	Contracts	NEG	Negative
CU	Copper	NI	Not Illustrated
CU IN	Cubic Inch(s)	NO.	Number(s)
C/W	Complete With	NP	Non-Provisioned
DC	Direct Current	O/A	Overall
DEG	Degree(s)	OD	Outside diameter
DIA	Diameter		
DIM	Dimension(s)	PI	Plated
DPDT	Double Pole, Double Throw	POS	Positive
DPST	Double Pole, Single Throw	PSI	Pounds Per Square Inch
		PTFE	Polytetrafluoroethylene
ENG	Engine	PVC	Polyvinyl Chloride
EXT	External		
		QTY	Quantity
F	Fahrenheit		
FT	Foot (feet)	RAF	Royal Air Force
		REF	Reference
GAL	Gallon	REV/MIN	Revolution Per Minute
GALV	Galvanised	RD HD	Round Head
GM	Gramme	RH	Right Hand

RHD	Right Hand Drive
SBC	Single Bayonet Cap
SCC	Single Centre Contact
SECT	Section
SI	Systeme International (thread)
SPDT	Single Pole, Double Throw
SPST	Single Pole, Single Throw
SQ	Square
STD	Standard
SWL	Safe Working Load
SYN	Synthetic
TEMP	Temperature
THD	Thread (ed)
THK	Thick(ness)
TPI	Threads Per Inch
UNC	Unified Coarse Thread
UNF	Unified Fine Thread
UNS	Unified Special Thread
U/O	Used On
U/W	Used With
V	Volt(s)
VEH	Vehicle(s)
W	Watt/Width
W/	With
W/O	Without
WHIT	Whitworth
ZN	Zinc

CHAPTER 2-0
COMPLETE EQUIPMENT SCHEDULES (SERVICE)
SIMPLE EQUIPMENT
TRUCK UTILITY LIGHT / TRUCK UTILITY
MEDIUM

CONTENTS

Chapter

2-1	CES ITEMS - TUL/TUM - ALL VARIANTS
2-2	ITEMS PECULIAR TO FFR VARIANT
2-3	ITEMS PECULIAR TO WINTERISED VARIANT

NOT ILLUSTRATED

Fig 1 Truck, Utility, Light / Truck, Utility, Medium.

CES

Fig. No Item No	Army DMC NSCM NSN Part Number	Item Descriptions and Annotations	NoOff DofQ	Quantity on Issue
1 NI 0	NIV	TRUCK, UTILITY, LIGHT/TRUCK, UTILITY, MEDIUM.	REF EA	
NI 1	NIV	. CES ITEMS - TUL/TUM - ALL VARIANTS	REF EA	
NI 2	NIV	. ITEMS PECULIAR TO FFR VARIANT	REF EA	
NI 3	NIV	. ITEMS PECULIAR TO WINTERISED VARIANT	REF EA	

CHAPTER 2-1
COMPLETE EQUIPMENT SCHEDULES (SERVICE)
SIMPLE EQUIPMENT
CES ITEMS - TUL/TUM - ALL VARIANTS

CONTENTS

Chapter

2-1	EQUIPMENT IDENTITY AND CES ITEMS - TUL/TUM - ALL VARIANTS
2-1-1	MAIN ITEMS
2-1-2	TOOLS
2-1-3	SPARES
2-1-4	LITERATURE

EQUIPMENT IDENTITY

This IPC relates to the following chassis / body references. Demands for replacement parts should only be made against the contracts listed below: -

Serial No.	Nomenclature	Nato Stock Number	Asset Code
1	TRUCK UTY LIGHT GS, CARGO SOFT TOP 12V 4X4 LAND ROVER (DSL)	2320-99-893-8029	NB16203101
2	TRUCK UTY LIGHT GS CARGO SOFT TOP 12V 4X4, 2.5LT MK6B DSL LAND ROVER 90 DEFENDER	2320-99-893-8903	NB16203102
3	TRUCK UTY LIGHT GS, CARGO SOFT TOP 12V 4X4 LHD LAND ROVER 90 (DSL)	2320-99-893-8030	NB16208100
4	TRUCK UTY LIGHT GS CARGO PLAIN HARD TOP 12V 4X4 LAND ROVER 90 (DSL)	2320-99-893-8047	NB16233100
5	TRUCK UTY LIGHT FFR PLAIN HARD TOP 12/24V 4X4 LAND ROVER 90 (DSL)	2320-99-893-8037	NB16253100
6	TRUCK UTY LIGHT FFR HARD TOP 12/24V4X4, 2.5L MK6B (DSL) LAND ROVER 90 DEFENDER	2320-99-893-8902	NB16253101
7	TRUCK UTY LIGHT FFR PLAIN HARD TOP 12A24V 4X4 LHD, LAND ROVER 90 (DSL)	2320-99-893-8038	NB16258100
8	TRUCK UTY LIGHT CL SOFT TOP 12V 4X4 LAND ROVER 90 (DSL)	2320-99-893-8035	NB16273100
9	TRUCK UTY LIGHT FFR SOFT TOP 12/24V 4X4 LAND ROVER 90 (DSL)	2320-99-893-8041	NB16283100
10	TRUCK UTY LIGHT FFR SOFT TOP 12/24V 4X4 LHD LAND ROVER 90 (DSL)	2320-99-893-8042	NB16288100
11	TRUCK UTY MED GS PLAIN HARD TOP 12/24V, 4X4, LAND ROVER 110	2320-99-893-7003	NB17053100
12	TRUCK UTY MED GS HARD TOP 12/24V, 4X4, 2.5 LTR I DSL LAND ROVER 110 DEFENDER LEP	2320-99-908-7441	NB17053110
13	TRUCK UTY MED GS PLAIN HARD TOP 12/24V, 4X4, LHD LAND ROVER 110	2320-99-893-7028	NB17058100
14	TRUCK UTY MED GS PLAIN HARD TOP 12/24V, 4X4, LAND ROVER 110.	2320-99-908-7474	NB17058110
15	TRUCK UTY MED HELI GROUND SUPPORT PLAIN HARD TOP, 12/24V, 4X4, LAND ROVER 110 DEFENDER (DSL)	2320-99-893-8061	NB17063100
16	TRUCK UTY MED (WINTERISED) GS PLAIN HARD TOP 12V 4X4 LAND ROVER 110 (DSL)	2320-99-893-8053	NB17083100
17	TRUCK UTY MED GS PLAIN HARD TOP WATERPROOFED/WINTERISED 12/24V, 4X4 LAND ROVER 110 DEFENDER	2320-99-893-9144	NB17083101
18	TRUCK UTY MED GS CARGO SOFT TOP 12V, 4X4, 2.5 LTR LAND ROVER 110 DEFENDER	2320-99-893-7004	NB17103103
19	TRUCK UTY MED GS CARGO SOFT TOP 12V, 4X4, 2.5LTR, MK6B (DSL), LAND ROVER 110 DEFENDER	2320-99-893-8904	NB17103104

Serial No.	Nomenclature	Nato Stock Number	Asset Code
20	TRUCK UTY MED GS CARGO SOFT TOP 12V, 4X4, 2.5LTR, MK6B (DSL), LAND ROVER 110 DEFENDER BALLASTED	2320-99-908-6129	NB17103105
21	TRUCK UTY MED GS CARGO SOFT TOP LAND ROVER 110 DEFENDER RECCE ROLE	2320-99-908-6408	NB17103106
22	TRUCK UTY MED GS CARGO SOFT TOP 12V 4X4 2.5LTR DSL LAND ROVER 110 DEFENDER LEP	2320-99-908-7417	NB17103113
23	TRUCK UTY MED GS CARGO SOFT TOP 12V 4X4 2.5LTR MK6B DSL LAND ROVER 110 DEFENDER LEP	2320-99-908-7418	NB17103114
24	TRUCK UTY MED GS SOFT TOP 12V 4X4 2.5 LTR DSL LAND ROVER 110 DEFENDER RECCE ROLE LEP	2320-99-908-7446	NB17103116
25	TRUCK UTY MED GS CARGO SOFT TOP 12V, 4X4, LHD LAND ROVER 110	2320-99-693-7029	NB17108100
26	TRUCK UTY MED GS CARGO SOFT TOP 4X4 LHD LAND ROVER 110 RECCE ROLE	2320-99-908-6495	NB17108101
27	TRUCK UTY MED GS SOFT TOP 12V 4X4 2.5LTR DSL LHD LAND ROVER 110 DEFENDER LEP	2320-99-908-7419	NB17108110
28	TRUCK UTY MED GS PLAIN HARD TOP 12V, 4X4, LAND ROVER 110	2320-99-893-7007	NB17173100
29	TRUCK UTY MED GS HARD TOP 12V 4X4 2.5LTR DSL LAND ROVER 110 DEFENDER LEP	2320-99-908-7420	NB17173110
30	TRUCK UTY MED GS PLAIN HARD TOP 12V, 4X4, LHD LAND ROVER 110	2320-99-893-7032	NB17178100
31	TRUCK UTY MED GS HARD TOP 12V 4X4 2.5LTR DSL LHD LAND ROVER 110 DEFENDER LEP	2320-99-908-7421	NB17178110
32	TRUCK UTY MED FFR PLAIN HARD TOP 12/24V, 4X4, LAND ROVER 110 DEFENDER (DSL)	2320-99-893-7008	NB17203100
33	TRUCK UTY MED FFR HARD TOP 12/24V, 4X4, 2.5L MK6B (DSL), LAND ROVER 110 DEFENDER	2320-99-893-8905	NB17203101
34	TRUCK UTY MED FFR HARD TOP 12/24V, 4X4, 2.5L, MK6B (DSL), R380 GEARBOX LAND ROVER 110 DEFENDER	2320-99-893-9198	NB17203103
35	TRUCK UTY MED FFR HARD TOP 12/24V, 4X4, 2.5LTR, (DSL), LAND ROVER 110 DEFENDER LEP	2320-99-908-7422	NB17203110
36	TRUCK UTY MED FFR HARD TOP 12/24V, 4X4, 2.5LTR MK6B (DSL), LAND ROVER 110 DEFENDER LEP	2320-99-908-7423	NB17203111
37	TRUCK UTY MED FFR HARD TOP 12/24V, 4X4, 2.5LTR MK6B (DSL), R380 GEARBOX LAND ROVER 110 DEFENDER LEP	2320-99-908-7424	NB17203113
38	TRUCK UTY MED FFR HARD TOP 12/24V, 4X4, LHD, LAND ROVER 110 (DSL)	2320-99-893-7033	NB17208100
39	TRUCK UTY MED FFR PLAIN HARD TOP 12/24V, 4X4, LHD, LAND ROVER 110 DEFENDER (DSL)	2320-99-893-9101	NB17208102
40	TRUCK UTY MED FFR HARD TOP 12/24V, 4X4, LHD DSL LAND ROVER 110 WITH SAT COM	2320-99-908-6616	NB17208103

Serial No.	Nomenclature	Nato Stock Number	Asset Code
41	TRUCK UTY MED FFR HARD TOP 12/24V, 4X4, 2.5LTR (DSL), LHD LAND ROVER 110 DEFENDER LEP	2320-99-908-7425	NB17208110
42	TRUCK UTY MED FFR HARD TOP 12/24V, 4X4, 2.5LTR MK6B (DSL). LHD LAND ROVER 110 DEFENDER LEP	2320-99-908-7426	NB17208112
43	TRUCK UTY MED (WINTERISED) FFR PLAIN HARD TOP, 12/24V, 4X4, LAND ROVER 110 (DSL)	2320-99-893-8057	NB17213100
44	TRUCK UTY MED FFR SOFT TOP 12/24V, 4X4, LAND ROVER 110 (DSL) RECCE ROLE	2320-99-893-8119	NB17313100
45	TRUCK UTY MED GS CARGO SOFT TOP 4X4 LHD LAND ROVER 110 RECCE ROLE	2320-99-908-6407	NB17313102
46	TRUCK UTY MED FFR SOFT TOP 12/24V, 4X4, (DSL) LAND ROVER DEFENDER	2320-99-893-9106	NB17313104
47	TRUCK UTY MED FFR SOFT TOP 12/24V, 4X4, 2.5LTR (DSL), LAND ROVER 110 DEFENDER LEP	2320-99-908-7427	NB17313110
48	TRUCK UTY MED FFR SOFT TOP 12/24V 4X4 2.5 LTR DSL LAND ROVER 110 DEFENDER RECCE ROLE LEP	2320-99-908-7447	NB17313112
49	TRUCK UTY MED FFR SOFT TOP 12/24V, 4X4, 2.5LTR MK6B (DSL), LAND ROVER 110 DEFENDER LEP	2320-99-908-7428	NB17313114
50	TRUCK UTY MED FFR SOFT TOP 12/24V, 4X4, LHD, LAND ROVER 110 (DSL)	2320-99-893-8120	NB17318100
51	TRUCK UTY MED FFR SOFT TOP 12/24V. 4X4. LHD, 2.5L, MK6B (DSL) LAND ROVER DEFENDER	2320-99-893-9105	NB17318101
52	TRUCK UTY MED FFR SOFT TOP 4X4 LHD LAND ROVER 110 RECCE ROLE	2320-99-908-6494	NB17108102
53	TRUCK UTY MED FFR SOFT TOP 12/24V, 4X4, 2.5LTR MK6B (DSL), LHD LAND ROVER 110 DEFENDER LEP	2320-99-908-7430	NB17318111

ARMY EQUIPMENT
SUPPORT PUBLICATION

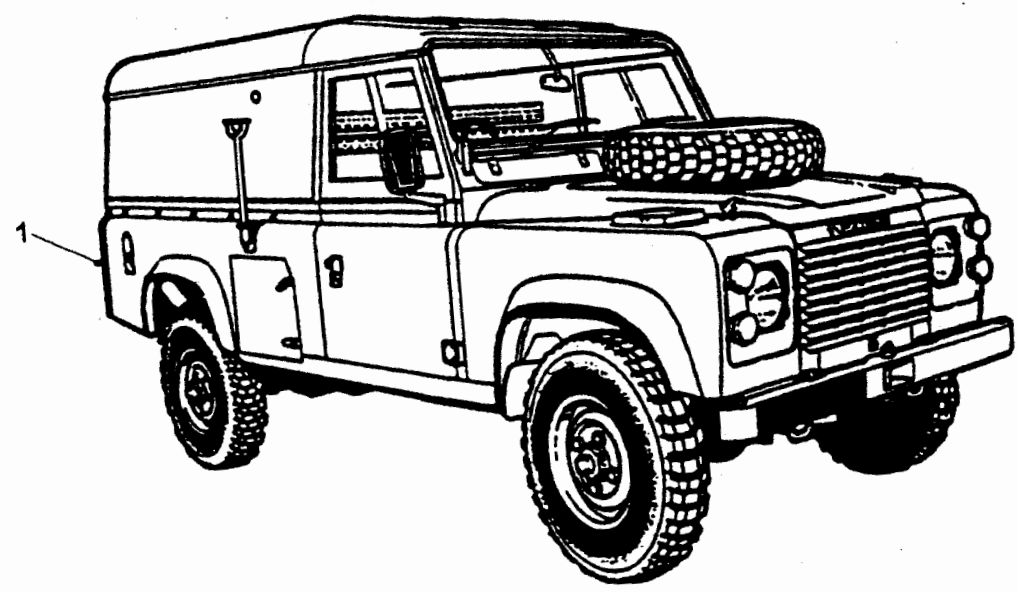
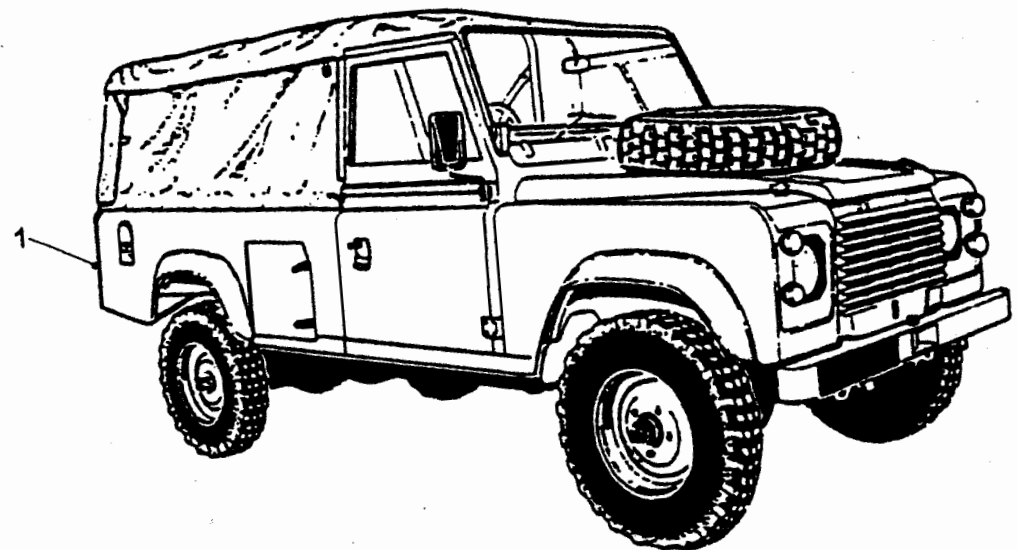


Fig 1 CES Items - TUL / TUM - All Variants

CES

Fig. No Item No	Army		Item Descriptions and Annotations	NoOff DofQ	Quantity on Issue
	DMC NSCM	NSN Part Number			
1 1		NIV	CES ITEMS - TUL/TUM - ALL VARIANTS	REF EA	
NI 2		NIV	.. DETAILS OF VEHICLE ACCESSORIES (See Chap 2-1-1 For Details)	REF EA	
NI 3		NIV	.. DETAILS OF VEHICLE TOOLS (See Chap 2-1-2 For Details)	REF EA	
NI 4		NIV	.. DETAILS OF VEHICLE SPARES (Chap 2-1-3 Not Issued)	REF EA	
NI 5		NIV	.. DETAILS OF VEHICLE LITERATURE (See Chap 2-1-4 For Details)	REF EA	

CHAPTER 2-1-1
COMPLETE EQUIPMENT SCHEDULES (SERVICE)
SIMPLE EQUIPMENT

MAIN ITEMS

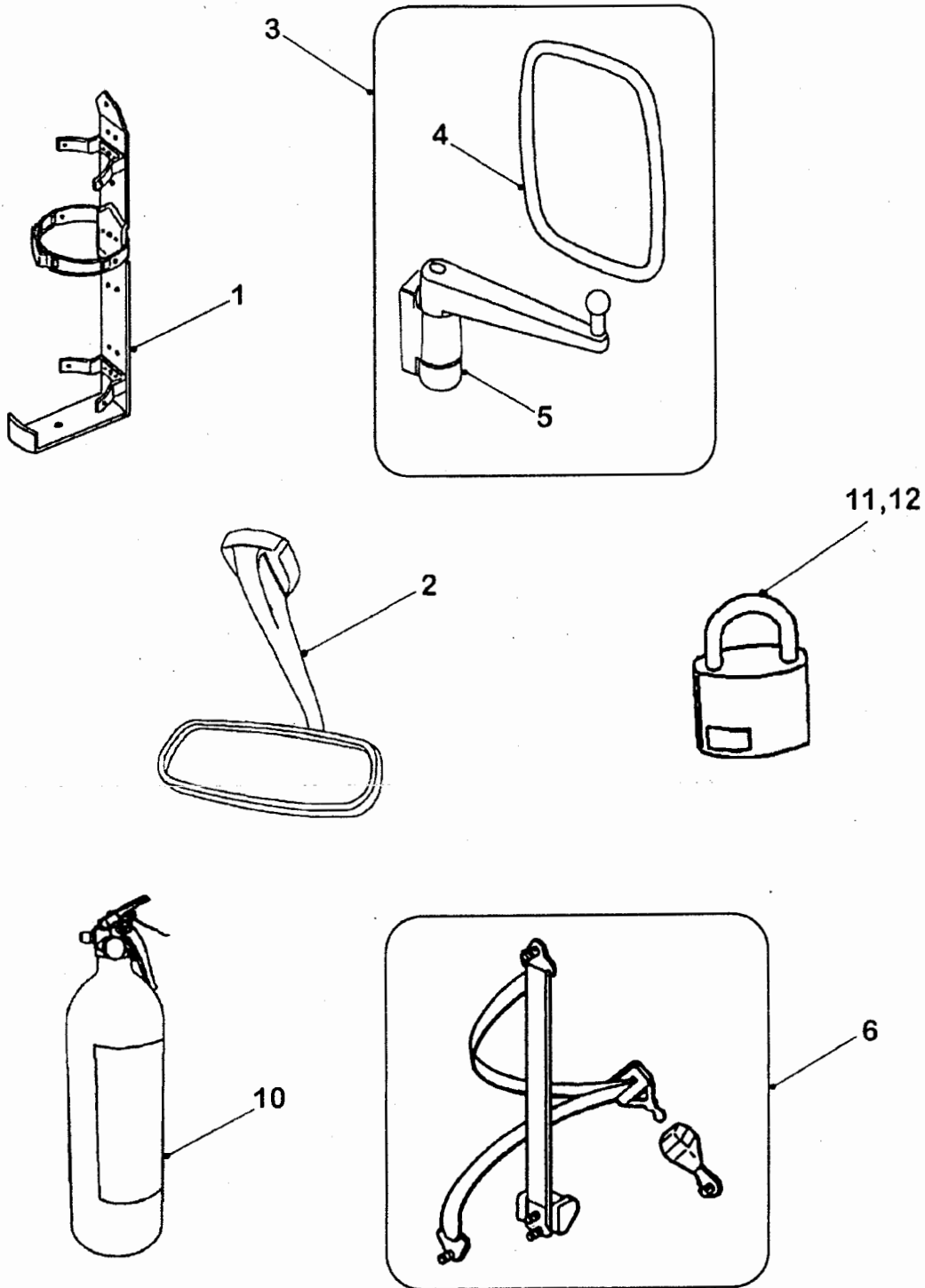


Fig 1 Main Items

CES

Fig. No Item No	Army		Item Descriptions and Annotations	NoOff DofQ	Quantity on Issue
	DMC NSCM	NSN Part Number			
1 NI 0		NIV	MAIN ITEMS	REF EA	
1	6MT1 U4369	4210-99-839-9904 11155	BRACKET FIRE EXTINGUISHER, STEEL VERTICAL MTG FOR DRY POWDER TYPE (2KG CAPACITY)	1 EA	
2	7RU	2540-99-721-4447 CTB300140	MIRROR ASSEMBLY REARVIEW	1 EA	
3		NIV	MIRROR ASSEMBLY, REAR VIEW, COMPRISING ITEMS 4,5	2 EA	
4	6MT3 K8220	2540-99-666-4847 VM2	MIRROR ASSEMBLY, REARVIEW, EXT, BLACK PLASTICS CASE, 190 X 120MM, C/W CLAMP AND SCREW, W/OUT BALLSTUD.	1 EA	
5	6MT3 U1030	2540-99-795-3170 MTC5083	ARM, REARVIEW MIRROR	1 EA	
6	7RU U1030	2540-99-832-8262 EVB000540LNF	BELT, VEHICULAR SAFETY, SEAT BELT, LEFT HAND.	2 EA	
NI 6	7RU U1030	2540-99-702-5699 EVB000550LNF	BELT, VEHICULAR SAFETY, SEAT BELT, RIGHT HAND.	2 EA	
NI 7	6MT3 D8095	6210-12-121-7333 2AB 001 208-02	LIGHT, PANEL, SHEET METAL AND GLASS, "12 VOLT", MAP READING LIGHT.	1 EA	
NI 8	7RU U 1030	2540-99-740-0878 RRC2094	HOLDER, FLAG, WELDED ASSY, TUBE & MTG PLATE, 95MM NOM LG.	1 EA	
NI 9	7RU U1030	5940-99-562-4273 PRC5477	TERMINAL BOX	1 EA	
10	6MT1 U4369	4210-99-839-9905 425TG	EXTINGUISHER, FIRE, DRY POWDER: PORTABLE TYPE; 2KG CAPACITY	1 EA	
11	GI K1368	5340-99-910-8185 A3-9517	PADLOCK; STEEL, ZINC PLATED, 4 LEVER TYPE, 38.00 MM W, W/2 KEYS	3 EA	
12		5340-99-139-8389 ABLOY3041	PADLOCK, SHACKLE STYLE, 25.00 MM CLEARANCE, 8.00 MM DIA, 48.00 MM LG, W/CASE.	2 EA	

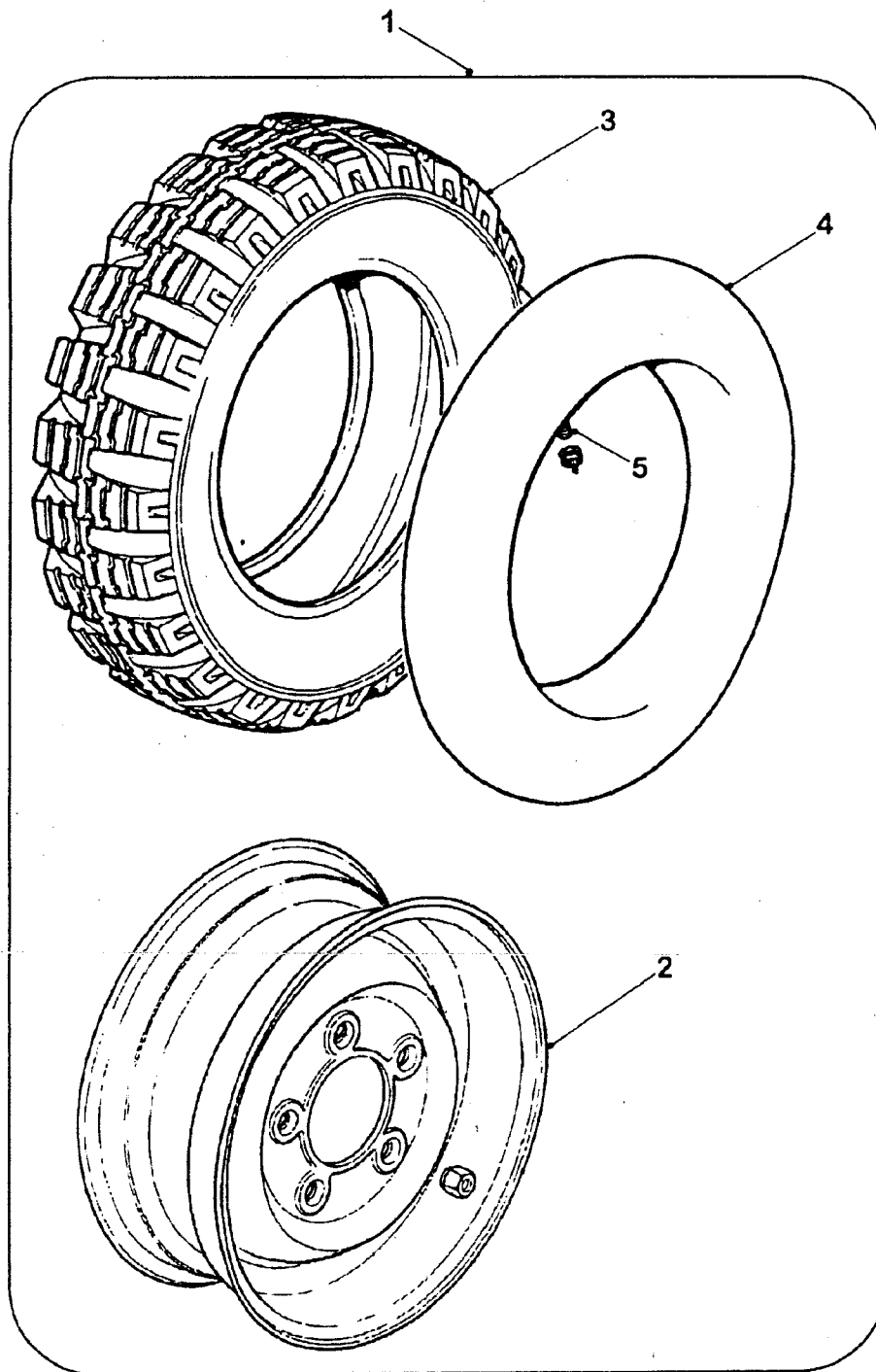


Fig 2 Main Items

CES

Fig. No Item No	Army		Item Descriptions and Annotations	NoOff DofQ	Quantity on Issue
	DMC NSCM	NSN Part Number			
2 NI 0		NIV	MAIN ITEMS	REF EA	
1		NIV	. SPARE WHEEL ASSEMBLY, COMPRISING ITEMS 2,3,4,5	1 EA	
2(1)	6MT14 U0795	2530-99-806-1967 FV2000727	. WHEEL, PNEUMATIC TYRE (FOR TUBED WHEEL)	1 EA	NLA USE ITEM 2(2)
2(2)	7XD U1030	2530-99-244-7869 RRD100010	. WHEEL, PNEUMATIC TYRE (FOR TUBLESS WHEEL)	20 EA	
3(1)	6MT14 K2956	2610-99-405-6007 7.50 R 16C 4X4 O/R XZL TL 116N	. TYRE, PNEUMATIC, MILITARY PERSONNEL CARRIER GRIP DEEP TREAD, 7.50-16 SIZE, RADIAL PLY, TUBELESS, 116N SPEED SYMBOL, 140 KM/PH. (Inner Tube must be fitted)	1 EA	
3(2)	6MT14 U1777	2610-99-131-1539 G90	. TYRE PNEUMATIC G90 (TYPE 750 X 16)	1 EA	
4	6MT14 U1776	2610-99-809-3633 7-50-8-25-16TR15	. INNER TUBE, PNEUMATIC TYRE; CAR TYPE; 7.50-16/205-16; SYN RUBBER; TR 15 VALVE; RADIAL PLY TYRE APPLICATION	1 EA	NLA
5(1)	6MT14 K2956	2640-99-809-2810 16L	. FLAP, INNER TUBE, PNEUMATIC TYRE.	1 EA	NLA USE ITEM 5(2)
5(2)	7RU U5633	2640-99-808-3079 37861-80	. VALVE, (SNAP IN RUBBER).	1 EA	
NI 6	WTE U2384	5120-99-817-1229 RAW27	. WRENCH, WHEEL NUT, HEX, 27MM (1.063IN) AF, 84MM REACH, 14MM DIA HANDLE, 205MM LG.	1 EA	
7	7XD U1030	5310-99-052-0786 ANR4583PM	. WRENCH NUT, CONE SEAT, HEXAGONAL	25	
			WARNING: REFER TO MOD INSTRUCTION NO.26 FOR FULL INFORMATION		

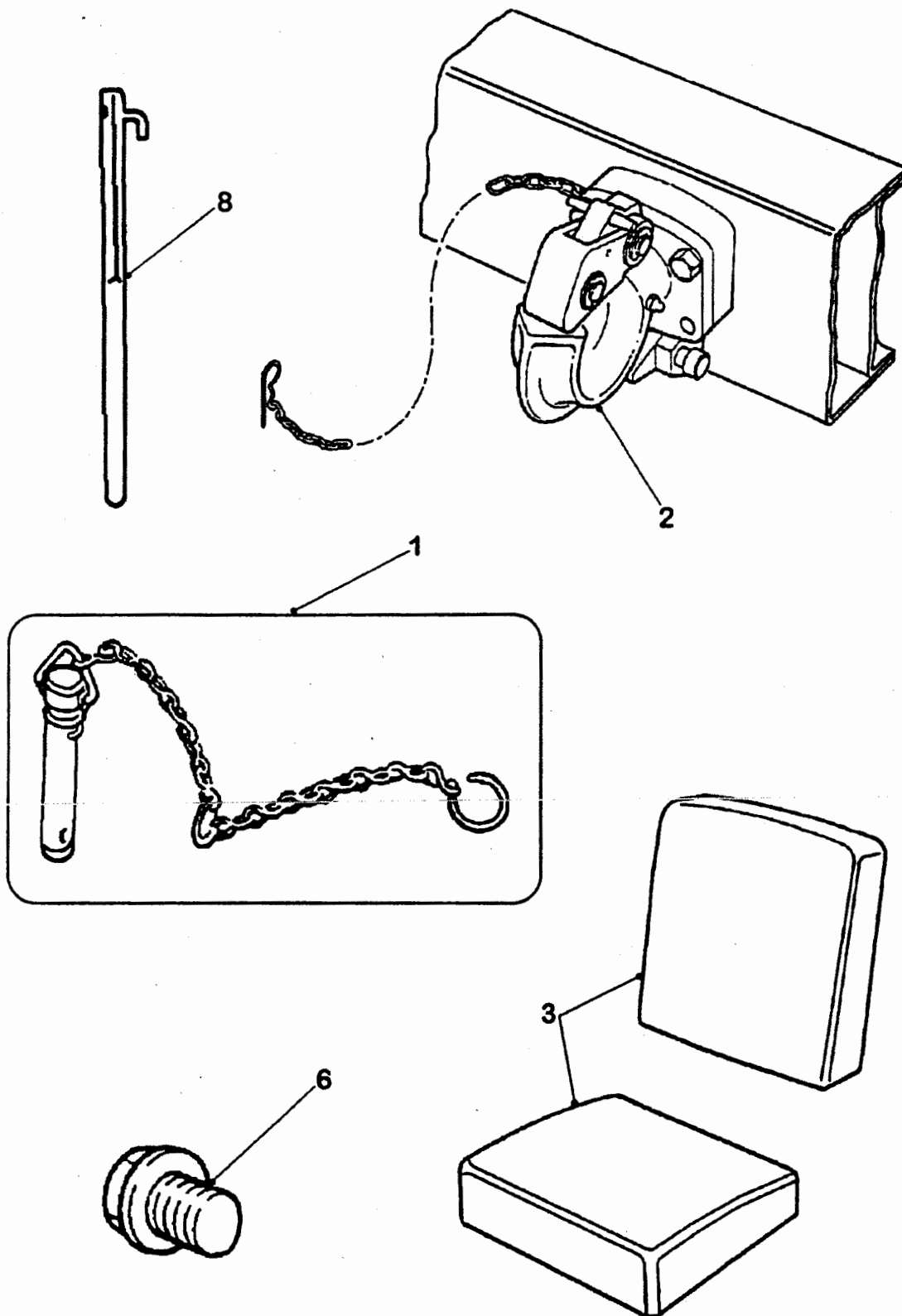


Fig 3 Main Items

CES

Fig. No Item No	Army		Item Descriptions and Annotations	NoOff DofQ	Quantity on Issue
	DMC NSCM	NSN Part Number			
3 NI 0		NIV	MAIN ITEMS	REF EA	
1	7RU U1030	2540-99-739-7171 RRC3975	. PIN, PINTLE, STEEL, ROUND HEAD C/W SECURING CHAIN.	1 EA	
2	6MT13 U0795	2540-99-825-6119 N987958	. PINTLE ASSEMBLY, TOWING; LIGHT; C/W LOCKING PIN & CHAIN	1 EA	
3	7RU U1030	2540-99-830-6430 349967	. CUSHION, SEAT, VEHICULAR, ASSY, DRIVER & OUTER PASSENGER.	2 EA	
NI 4	7RU U1030	2510-99-942-2080 MWC4746	. SIDESCREEN ASSEMBLY; C/W 4 MM THK PLAIN GLASS	2 EA	
NI 5	7RU U1030	2510-99-591-1455 MWC4747	. WINDOW, VEHICULAR, LEFT HAND.	1 EA	
6	7RU U1030	5365-99-823-7203 59955	. PLUG, SCREWED, MAGNETIC, ISO, STEEL, M12X1.5, MEDIUM FIT.	1 EA	
NI 7	KA U2211	7240-99-139-8898 LUBI 1-2WPOLY	. MEASURE. LIQUID; 1.5 LITRE	1 EA	
8	J11 K1368	8340-99-132-0028 CGS/CSSL/90	. PIN, TENT	10 EA	
NI 9	H5 K1368	1080-99-127-8180 B/1910	. SUPPORT, CAMOUFLAGE NET; ALUMINIUM ALLOY TUBING	20 EA	
NI 10	H5 K1368	1080-99-120-6114 CGS/CSSL/89	. CAP, CAMOUFLAGE NET SUPPORT; MUSHROOM SHAPE	6 EA	
NI 11	H5 K1368	7080-99-130-8673 A3/8286	. TIE, CROSSOVER, PLASTICS, 1-1/4 IN.LG, 7/16 IN.MAX OD, W/340 MM LG, 3 MM DIA. DOUBLE CORD, OLIVE DRAB, W/2 NICKEL PLATED METAL CLIPS.	4 EA	
NI 12	H5 K1368	1080-99-130-8669 A2/8351	. ROD, CAMOUFLAGE SUPPORT; RESIN MATRIX W/GLASS REINFORCEMENT, 1100 MM LG, 15 MM DIA, 0.344 - 0.370 KG PER METRE, C/W FERRULE	20 EA	
NI 13	H5 K1368	1080-99-130-8670 A1/11168	. SPREADER, CAMOUFLAGE NET; PLASTICS, CIRCULAR MESH TYPE, 247 MM OD, 297 MM O/A H, NATO GREEN	4 EA	
NI 14	H5 K1368	8340-99-130-8671 A1/8350	. PIN, TENT; STEEL, "T" SECTION, 15/16 IN. DIA	6 EA	
NI 15	7XD U1030	2590-99-453-0975 KNK500030	. BREAKAWAY PLATE	1 EA	

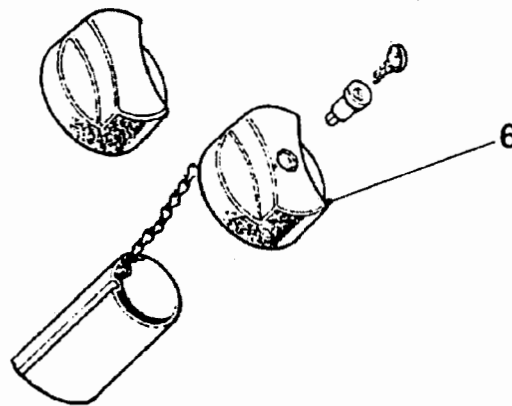
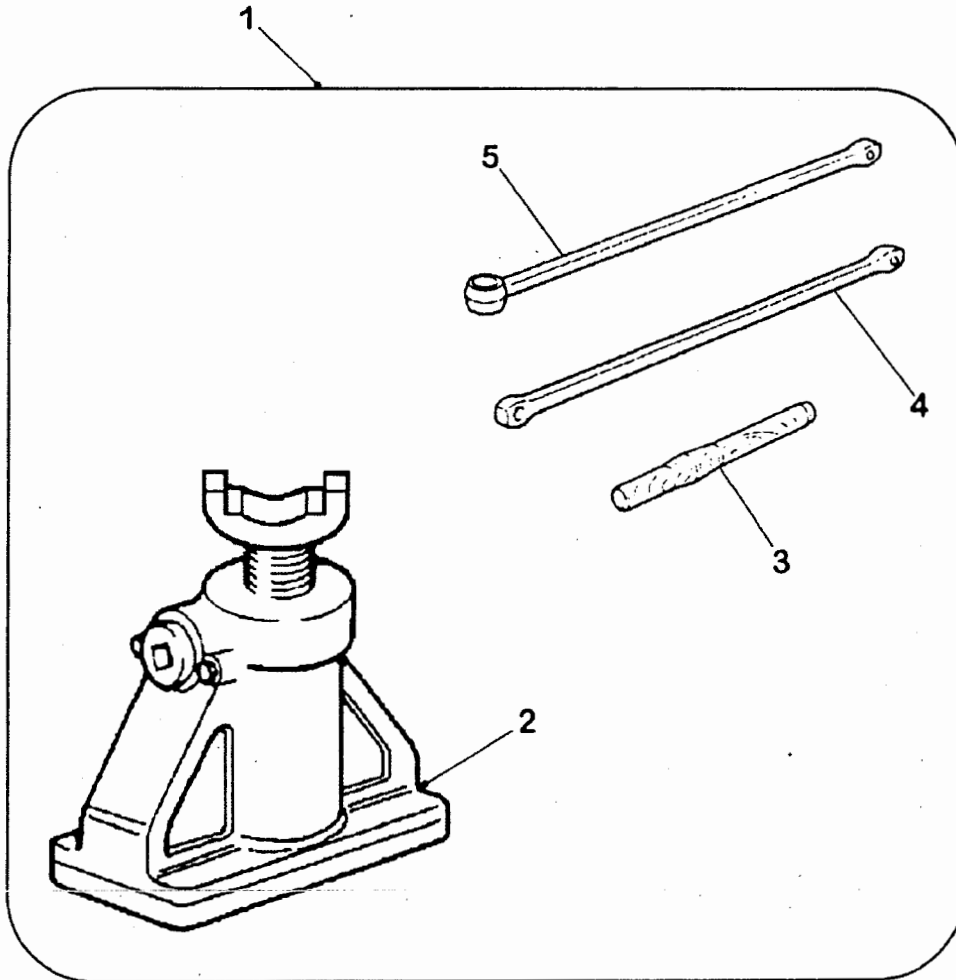


Fig 4 Main Items

CES

Fig. No Item No	Army DMC NSCM	NSN Part Number	Item Descriptions and Annotations	NoOff DofQ	Quantity on Issue
4 NI 0		NIV	MAIN ITEMS	REF EA	
1		NIV	JACK, SCREW COMPRISING OF ITEMS 2,3,4,5.	1 EA	NLA USE NI 7
2	6MT1 K5984	5120-99-778-5810 NRC8511	JACK, SCREW, HAND OPERATED SCREW TYPE, 3 SECTION, 410 MM FULLY RAISED, 165 MM FULLY LOWERED, BASE PLATE 150 MM LG, 90 MM W.	1 EA	
3	6MT1 K4730	5120-99-825-4618 LHUO2	HANDLE, MECHANICAL JACK, HARDWOOD, 7/8 IN. DIA 1ST END, 27/32 IN. DIA 2ND END; 1-1/8 IN. MAX DIA, 12 IN. O/A LG.	1 EA	
4	7RU U1030	2540-99-838-0633 592513	SHAFT, JACK, STEEL, C/W END FITTINGS, JACK PIECE 609MM NOM LG.	1 EA	
5	7RU U1030	2520-99-838-0634 592514	SHAFT, JACK, STEEL, WITH FORMED ENDS, HANDLE PIECE 591MM NOM LG.	1 EA	
6	7RU U1030	2910-99-729-8390 RTC4740	CAP, FILLER OPENING, CAM TYPE, VENTED, LOCKABLE, 87.5 MM OD, 42.8 MM H - FOR FUEL TANK	1 EA	
NI 7		NIV	JACK, HYDRAULIC, HAND COMPRISING ITEMS 8 & 9		
NI 8	7RU U1030	5120-99-301-5192 LR031924	JACK, HYDRAULIC	1 EA	
NI 9	7RU U1030	5120-99-301-7134 LR011850	HANDLE, HYDRAULIC JACK	1 EA	

CHAPTER 2-1-2
COMPLETE EQUIPMENT SCHEDULES (SERVICE)
SIMPLE EQUIPMENT
TOOLS

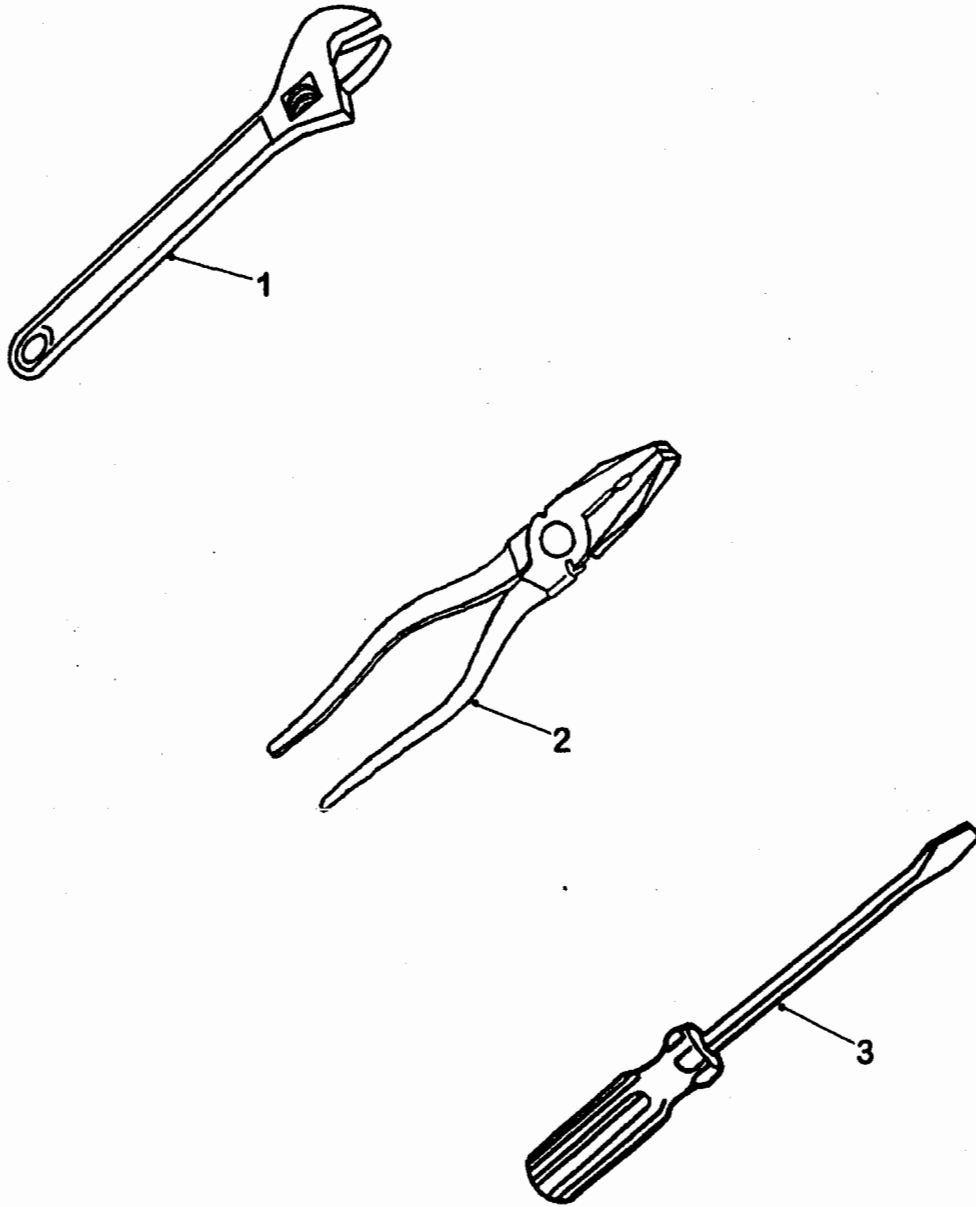


Fig 1 Tools

CES

Fig. No Item No	Army		Item Descriptions and Annotations	NoOff DofQ	Quantity on Issue
	DMC NSCM	NSN Part Number			
1 NI 0		NIV	TOOLS	REF EA	
1	F1 K8482	5120-99-910-5964 0671	WRENCH, ADJUSTABLE; STEEL, SINGLE HD, SMOOTH JAWS, 1 IN. JAW CAPACITY, 8 IN. O/A LG	1 EA	
2	F1 U1315	5120-99-910-5525 PW2169/6	PLIERS; SIDE CUTTING W/PIPE GRIP, SINGLE JOINT, 6 IN. NOM SIZE, TWO JOINT CUTTERS, W/NON SLIP INSULATED HANDLES, W/POLISHED HEAD	1 EA	
3	F1 U4542	5120-99-136-5590 10-99-531	SCREWDRIVER, FLAT POINT; STEEL BLADE, 6.5 MM W POINT, 75 MM BLADE LG, 200 MM O/A LG, PLASTIC HANDLE, ENGINEERS W/SQ BLADE	1 EA	
NI 4	6MT2 U2042	4910-99-700-7812 TPG60H03	GAUGE, TYRE PRESSURE, SELF-CONTAINED, DUAL CALIBRATION, 10-160 LB/SQ IN. (IN 2 LB/SQ IN. UNITS) AND 0.8-1 1 BAR (IN 0.2 BAR UNITS).	1 EA	

CHAPTER 2-1-4
COMPLETE EQUIPMENT SCHEDULES (SERVICE)
SIMPLE EQUIPMENT
LITERATURE

NOT ILLUSTRATED

Fig 1 Details of Vehicle Literature

CES

Fig. No Item No	Army		Item Descriptions and Annotations	NoOff DofQ	Quantity on Issue
	DMC NSCM	NSN Part Number			
1 NI 0		NIV	DETAIL OF VEHICLE LITERATURE	REF EA	
NI 1	U1269	NIV CES 31784	SERVICE EDITION	1 EA	
NI 2	U1269	NIV AB 562	VEHICLE RECORD BOOK	1 EA	
NI 3	U1269	NIV AESP 2320-D-122-201	OPERATORS INFORMATION	1 EA	
NI 4	U1269	NIV AESP 2320-D-122-601	MAINTENANCE SCHEDULE	1 EA	

CHAPTER 2-2
COMPLETE EQUIPMENT SCHEDULES (SERVICE)
SIMPLE EQUIPMENT
ITEMS PECULIAR TO FFR VARIANT

CONTENTS

Chapter

2-2	ITEMS PECULIAR TO FFR VARIANT
2-2-1	FFR ITEMS

NOT ILLUSTRATED

Fig 1 Items Peculiar to FFR Variant

CES

Fig. No Item No	Army		Item Descriptions and Annotations	NoOff DofQ	Quantity on Issue
	DMC NSCM	NSN Part Number			
1 NI 0		NIV	ITEMS PECULIAR TO FFR VARIANT	REF EA	
NI 1	EQPT U1269	2320-99-893-8037 1625-3100	TRUCK UTY LIGHT FFR PLAIN HARD TOP 12/24V 4X4 LAND ROVER 90 (DSL)	REF EA	
NI 1	EQPT U1269	2320-99-893-8902 1625-3101	TRUCK UTY LIGHT FFR HARD TOP 12/24V4X4, 2.5L MK6B (DSL) LAND ROVER 90 DEFENDER	REF EA	NI
NI 1	EQPT U1269	2320-99-893-8038 1625-8100	TRUCK UTY LIGHT FFR PLAIN HARD TOP 12A24V 4X4 LHD, LAND ROVER 90 (DSL)	REF EA	NI
NI 1	EQPT U1269	2320-99-893-8041 1628-3100	TRUCK UTY LIGHT FFR SOFT TOP 12/24V 4X4 LAND ROVER 90 (DSL)	REF EA	
NI 1	EQPT U1269	2320-99-893-8042 1628-8100	TRUCK UTY LIGHT FFR SOFT TOP 12/24V 4X4 LHD LAND ROVER 90 (DSL)	REF EA	
NI 1	EQPT U1269	2320-99-893-7008 1720-3100	TRUCK UTY MED FFR PLAIN HARD TOP 12/24V, 4X4, LAND ROVER 110 DEFENDER (DSL)	REF EA	
NI 1	EQPT U1269	2320-99-893-8905 1720-3101	TRUCK UTY MED FFR HARD TOP 12/24V, 4X4, 2.5L MK6B (DSL), LAND ROVER 110 DEFENDER	REF EA	
NI 1	EQPT U1269	2320-99-893-9198 1720-3103	TRUCK UTY MED FFR HARD TOP 12/24V, 4X4, 2.5L, MK6B (DSL), R380 GEARBOX LAND ROVER 110 DEFENDER	REF EA	
NI 1	EQPT U1269	2320-99-908-7422 1720-3110	TRUCK UTY MED FFR HARD TOP 12/24V, 4X4, 2.5LTR, (DSL), LAND ROVER 110 DEFENDER LEP	REF EA	
NI 1	EQPT U1269	2320-99-908-7423 1720-3111	TRUCK UTY MED FFR HARD TOP 12/24V, 4X4, 2.5LTR MK6B (DSL), LAND ROVER 110 DEFENDER LEP	REF EA	
NI 1	EQPT U1269	2320-99-908-7424 1720-3113	TRUCK UTY MED FFR HARD TOP 12/24V, 4X4, 2.5LTR MK6B (DSL), R380 GEARBOX LAND ROVER 110 DEFENDER LEP	REF EA	
NI 1	EQPT U1269	2320-99-893-7033 1720-8100	TRUCK UTY MED FFR HARD TOP 12/24V, 4X4, LHD, LAND ROVER 110 (DSL)	REF EA	
NI 1	EQPT U1269	2320-99-893-9101 1720-8102	TRUCK UTY MED FFR PLAIN HARD TOP 12/24V, 4X4, LHD, LAND ROVER 110 DEFENDER (DSL)	REF EA	

NOT ILLUSTRATED

Fig 1 Items Peculiar to FFR Variant

Fig. No Item No	Army		Item Descriptions and Annotations	NoOff DofQ	Quantity on Issue
	DMC NSCM	NSN Part Number			
1			ITEMS PECULIAR TO FFR VARIANT -Contd.		
NI 1	EQPT U1269	2320-99-908-6616 1720-8103	TRUCK UTY MED FFR HARD TOP 12/24V, 4X4, LHD DSL LAND ROVER 110 WITH SAT COM	REF EA	
NI 1	EQPT U1269	2320-99-908-7425 1720-8110	TRUCK UTY MED FFR HARD TOP 12/24V, 4X4, 2.5LTR (DSL), LHD LAND ROVER 110 DEFENDER LEP	REF EA	
NI 1	EQPT U1269	2320-99-908-7426 1720-8112	TRUCK UTY MED FFR HARD TOP 12/24V, 4X4, 2.5LTR MK6B (DSL), LHD LAND ROVER 110 DEFENDER LEP	REF EA	
NI 1	EQPT U1269	2320-99-893-8057 1721-3100	TRUCK UTY MED (WINTERISED) FFR PLAIN HARD TOP, 12/24V, 4X4, LAND ROVER 110 (DSL)	REF EA	
NI 1	EQPT U1269	2320-99-893-8119 1731-3100	TRUCK UTY MED FFR SOFT TOP 12/24V, 4X4, LAND ROVER 110 (DSL) RECCE ROLE	REF EA	
NI 1	EQPT U1269	2320-99-893-9106 1731-3104	TRUCK UTY MED FFR SOFT TOP 12/24V, 4X4, (DSL) LAND ROVER DEFENDER	REF EA	
NI 1	EQPT U1269	2320-99-908-7427 1731-3110	TRUCK UTY MED FFR SOFT TOP 12/24V, 4X4, 2.5LTR (DSL), LAND ROVER 110 DEFENDER LEP	REF EA	
NI 1	EQPT U1269	2320-99-908-7447 1731-3112	TRUCK UTY MED FFR SOFT TOP 12/24V 4X4 2.5 LTR DSL LAND ROVER 110 DEFENDER RECCE ROLE LEP	REF EA	
NI 1	EQPT U1269	2320-99-908-7428 1731-3114	TRUCK UTY MED FFR SOFT TOP 12/24V, 4X4, 2.5LTR MK6B (DSL), LAND ROVER 110 DEFENDER LEP	REF EA	
NI 1	EQPT U1269	2320-99-893-8120 1731-8100	TRUCK UTY MED FFR SOFT TOP 12/24V, 4X4, LHD, LAND ROVER 110 (DSL)	REF EA	
NI 1	EQPT U1269	2320-99-893-9105 1731-8101	TRUCK UTY MED FFR SOFT TOP 12/24V. 4X4. LHD, 2.5L, MK6B (DSL) LAND ROVER DEFENDER	REF EA	
NI 1	EQPT U1269	2320-99-908-6494 1710-8102	TRUCK UTY MED FFR SOFT TOP 4X4 LHD LAND ROVER 110 RECCE ROLE	REF EA	
NI 1	EQPT U1269	2320-99-908-7430 1731-8111	TRUCK UTY MED FFR SOFT TOP 12/24V, 4X4, 2.5LTR MK6B (DSL), LHD LAND ROVER 110 DEFENDER LEP	REF EA	

CHAPTER 2-2-1
COMPLETE EQUIPMENT SCHEDULES (SERVICE)
SIMPLE EQUIPMENT
FFR ITEMS

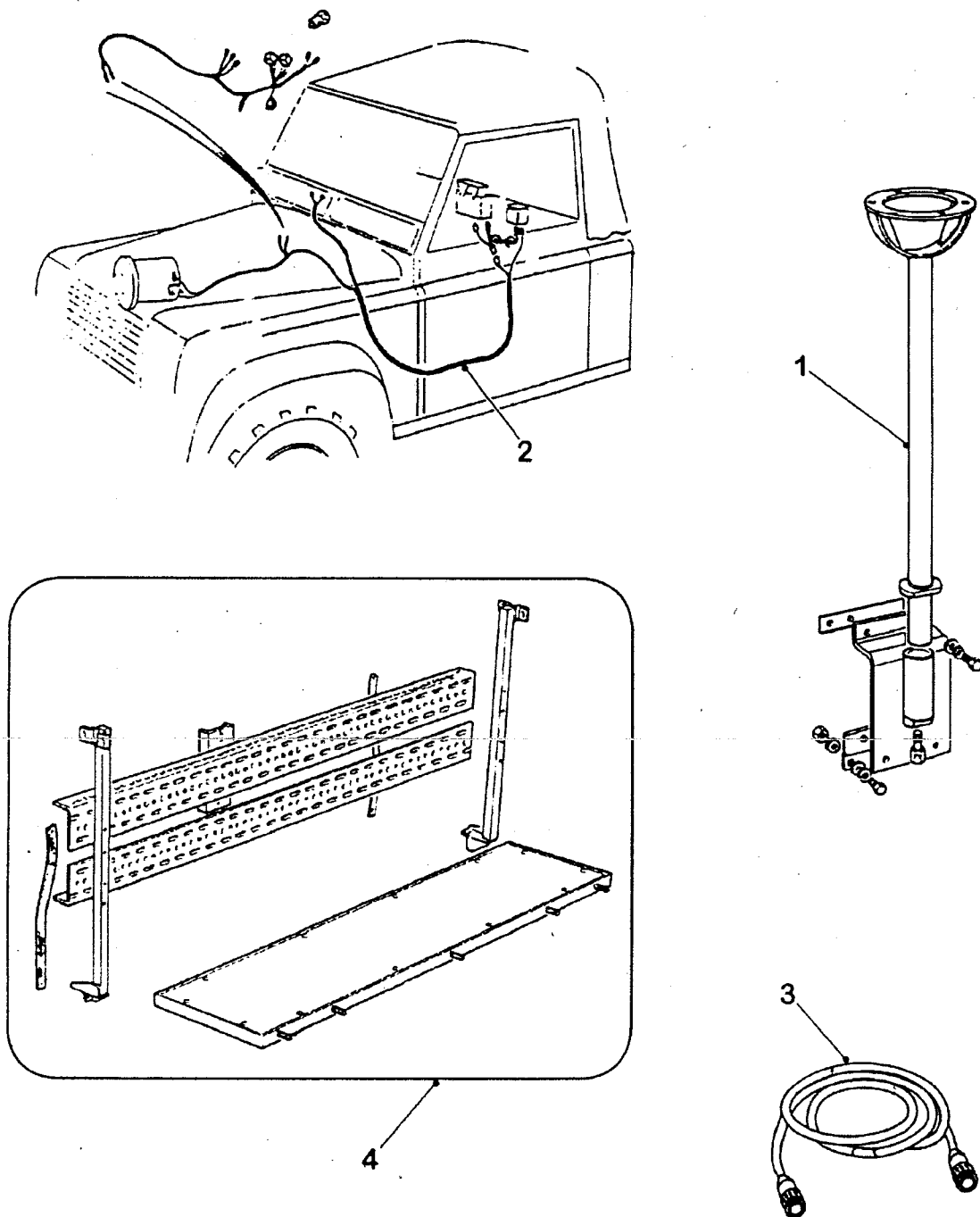


Fig 1 FFR Items

CES

Fig. No Item No	Army		Item Descriptions and Annotations	NoOff DofQ	Quantity on Issue
	DMC NSCM	NSN Part Number			
1 NI 0		NIV	FFR ITEMS	REF EA	
1	7RU U1030	2590-99-850-1370 MRC8491	. COLUMN ASSEMBLY, SUPPORT AERIAL	2 EA	
2	7RU U1030	2590-99-829-9881 PRC1824	. WIRING HARNESS, 6 CONDUCTORS, CW ANGLED CONNECTOR EACH END, SPIRE WRAP COVERING & 2 GROMMETS.	2 EA	NLR
3	7RU U1030	2590-99-829-9882 PRC1825	. CABLE ASSEMBLY, RADIO FREQUENCY, CW ANGLED CONNECTOR EACH END, SPIRE WRAP COVERING & 2 GROMMETS.	2 EA	
4	7RU U1030	2590-99-904-4146 RRC2662	. FRAME, RADIO TABLE, RECTANGULAR, WITH PROVISION FOR EARTH BRAID FIXING.	1 EA	

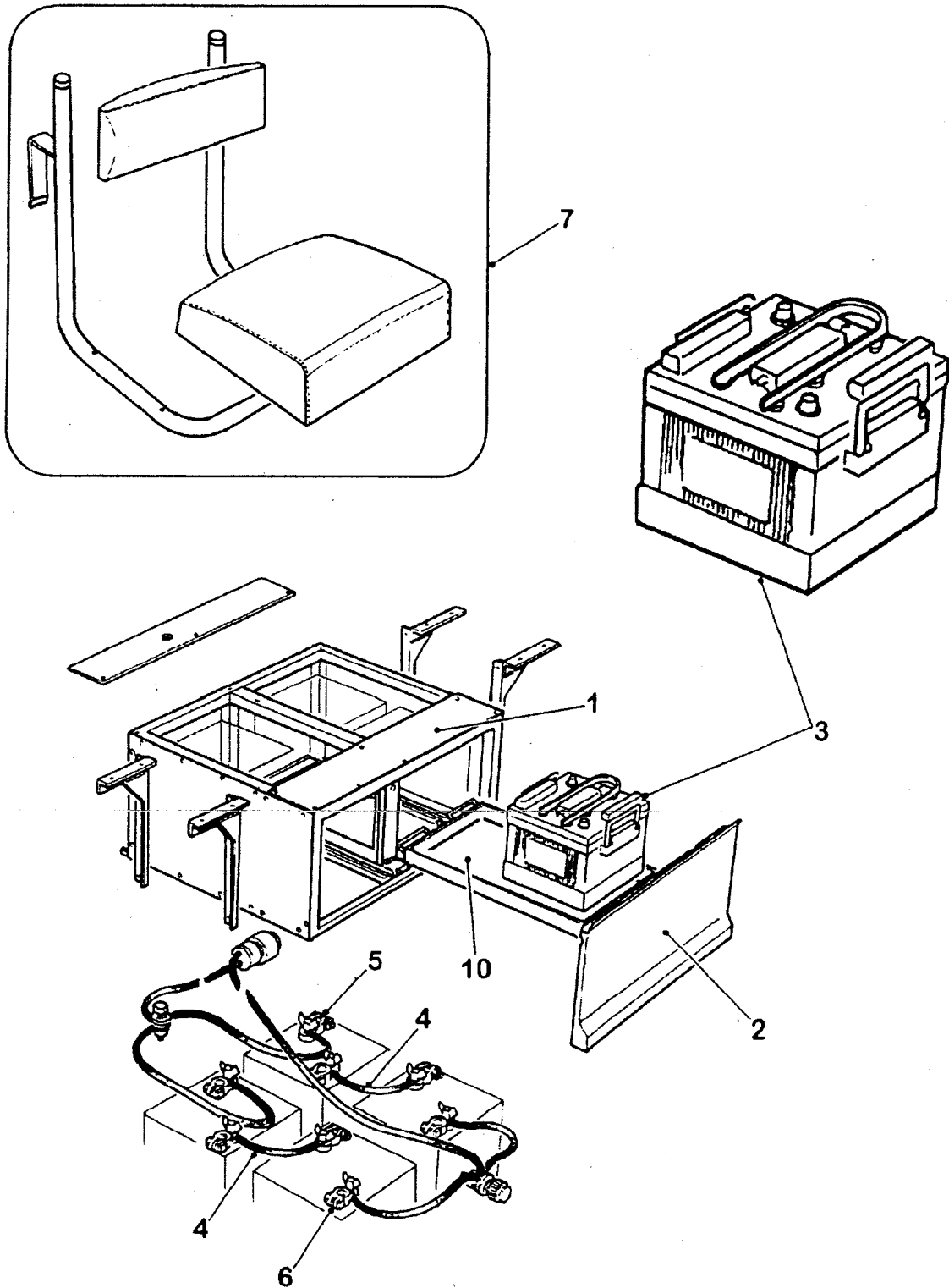


Fig 2 FFR Items

CES

Fig. No Item No	Army		Item Descriptions and Annotations	NoOff DofQ	Quantity on Issue
	DMC NSCM	NSN Part Number			
2 NI 0		NIV	FFR ITEMS	REF EA	
1	7RU U1030	6160-99-300-8746 RRC3544	BATTERY BOX, WELDED FABRICATION, RECT, FOR RADIO TABLE.	1 EA	
2	7RU U1030	6160-99-499-9115 RRC2615	DOOR ASSEMBLY, BATTERY BOX, RECT SHAPE, WELDED FABRICATION, COMPRISES DOOR PANEL, TOP FLANGE; 2 PEGS AND INSULATION.	1 EA	
3	6MT4 K1040	6140-99-803-4364 UK6TN	BATTERY, STORAGE; 12V, 100AH; 10.500 IN W; 11.250 IN L; 9.000 IN H; RUBBER CASE; DRY CHARGED; PLASTIC SEPARATORS; TAPER POSTS	4 EA	
4	6MT4 KO049	2590-99-802-9254 54930811	CABLE RADIO BATTERY LINK.	2 EA	
5	6MT4 KO395	5940-99-805-1311 1.045.14.01	TERMINAL, LUG, 2-1/8IN. LG, 1IN. WD, 3/32 SQ IN. POST CLAMP, BRASS, LEAD COATED, 3/4IN. FROM CENTRE OF HOLE NEAR END OF MTG TO END OF MTG.	2 EA	
6	7RU KO395	5940-99-805-1312 1.046.14.01	TERMINAL, LUG, BATTERY POST, 2-1/8IN. LG, 1IN. WD, 5/64 SQ IN., POST CLAMP MTG. BRASS, LEAD COATED, 3/4IN. FRM CENTRE OF HOLE NEAR END OF MTG	2 EA	
7	7RU U1030	2540-99-738-1247 RRC3668	SEAT, INDIVIDUAL, TUBULAR FRAME, W/SQUAB AND BACKREST, RADIO OPERATORS.	2 EA	
NI 8	7RU U1030	2540-99-809-8649 569808	BOLT, HOOK, UNF, STEEL, CADMIUM PLATED, 1/4IN. -28 UNF, 9-61/64IN. LG, 1/2IN. W OF HOOK.	4 EA	
NI 9	7RU U1030	2540-99-809-8962 569807	RETAINER, BATTERY, M.S, PAINTED, 23-1/2IN. LG, 2-7/16IN. WD, 25/32IN. H, CHANNEL SECTION.	2 EA	
10	7RU U1030	2540-99-809-8647 569805	BATTERY TRAY ASSEMBLY, M.S, PAINTED.	1 EA	
NI 11	7RU U4626	4140-99-309-4655 EGHI000/2/4/FM1	EXHAUST DISPOSAL KIT.COMPRISES HOSE, FUNNEL, PLASTIC TIE OR STEEL CLIP.	1 EA	

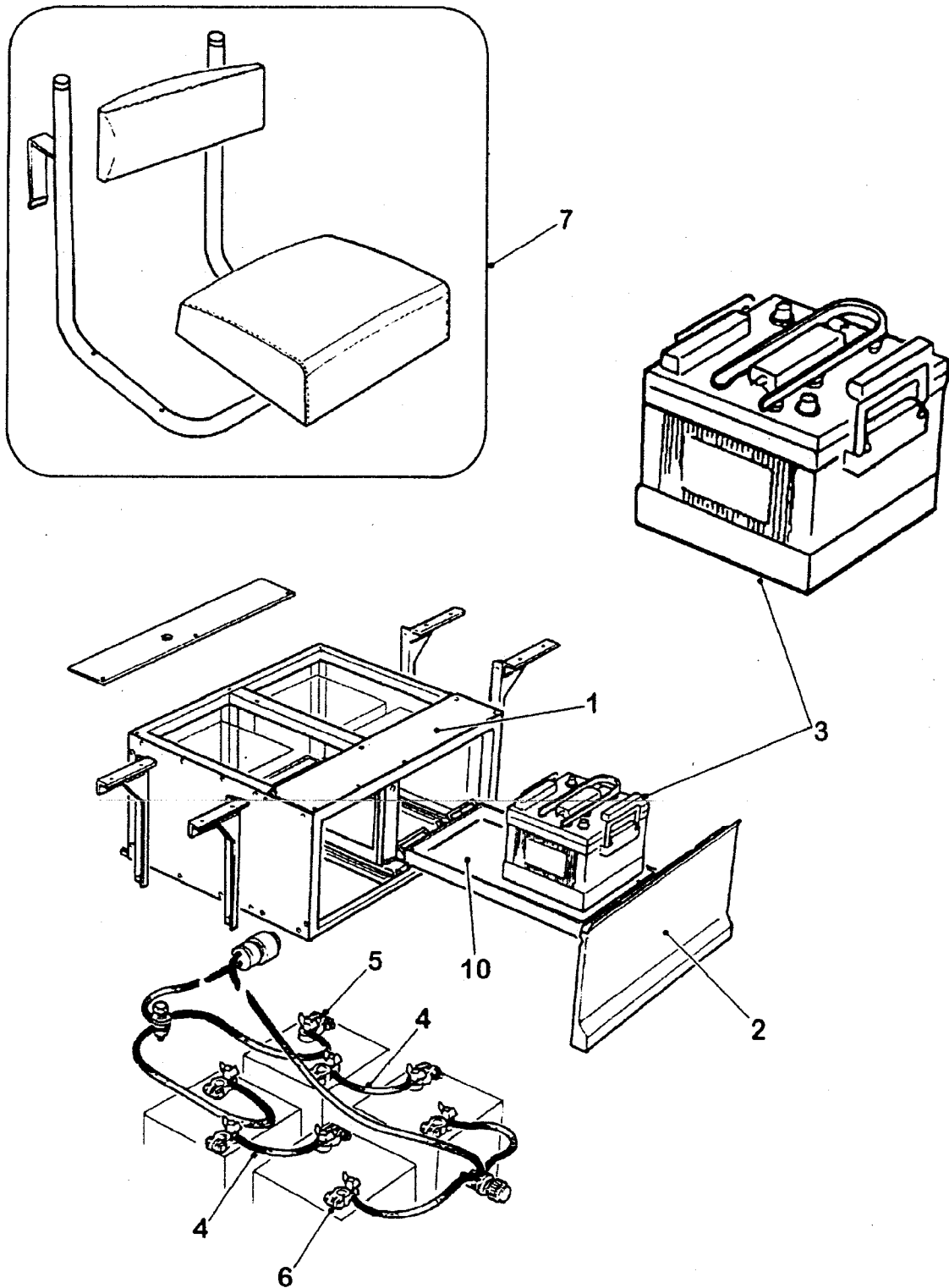


Fig 2 FFR Items

CES

Fig. No Item No	Army DMC NSCM NSN Part Number	Item Descriptions and Annotations	NoOff DofQ	Quantity on Issue
2		FFR ITEMS -Contd.		
NI 12	46MT3 6230-99-942-7876 U0795 FV 157949	. LIGHT, EXTENSION: HOOK MOUNTING, 6-1/4 IN. HIGH EXCL HOOK, NO. 2 MK 1 INSPECTION LAMP, ACCEPTS 26V, 5W BULB OR 14V, 7W BULB	1 EA	
NI 13	X5 6240-99-995-9813 U0795 599	. LAMP, INCANDESCENT; 18.00 MM DIA; 5 WATTS; 28 VOLTS; 35 LUMENS MIN LIGHT OUTPUT;	1 EA	

CHAPTER 2-3
COMPLETE EQUIPMENT SCHEDULES (SERVICE)
SIMPLE EQUIPMENT
ITEMS PECULIAR TO WINTERISED VARIANT

CONTENTS

Chapter

2-3 ITEMS PECULIAR TO WINTERISED VARIANT
2-3-1 WINTERISED ITEMS

NOT ILLUSTRATED

Fig 1 Items Peculiar to Winterised Variant

CES

Fig. No Item No	Army		Item Descriptions and Annotations	NoOff DofQ	Quantity on Issue
	DMC NSCM	NSN Part Number			
1 NI 0		NIV	ITEMS PECULIAR TO WINTERISED VARIANT	REF EA	
NI 1	EQPT U1269	2320-99-893-8057 1721-3100	. TRUCK UTY MED (WINTERISED) FFR PLAIN HARD TOP, 12/24V, 4X4, LAND ROVER 110 (DSL)	REF EA	
NI 1	EQPT U1269	2320-99-893-8053 1708-3100	. TRUCK UTY MED (WINTERISED) GS PLAIN HARD TOP 12V 4X4 LAND ROVER 110 (DSL)	REF EA	
NI 1	EQPT U1269	2320-99-893-9144 1708-3101	. TRUCK UTY MED GS PLAIN HARD TOP WATERPROOFED/WINTERISED 12/24V, 4X4 LAND ROVER 110 DEFENDER	REF EA	

CHAPTER 2-3-1
COMPLETE EQUIPMENT SCHEDULES (SERVICE)
SIMPLE EQUIPMENT
WINTERISED ITEMS

2320-D-122-741

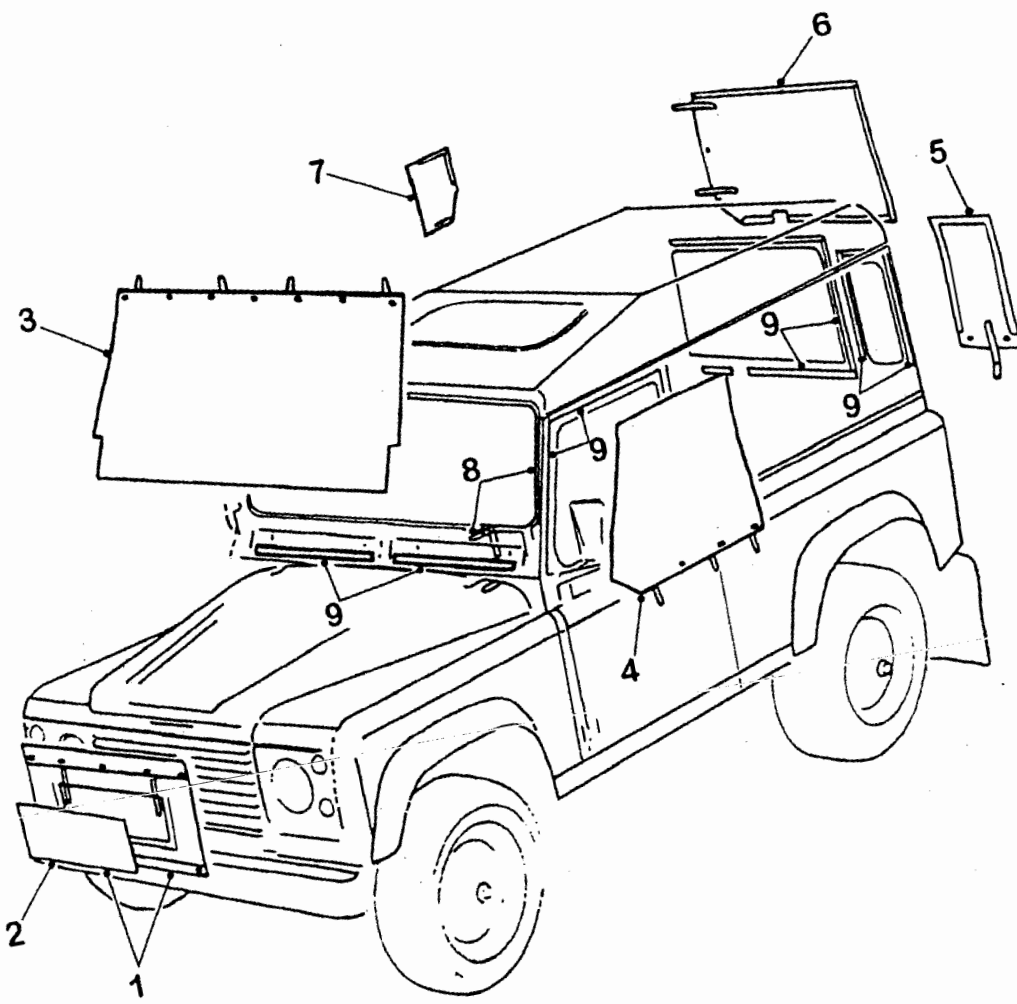


Fig 1 Winterised Items

Apr 11

CES

Fig. No Item No	Army DMC NSCM	NSN Part Number	Item Descriptions and Annotations	NoOff DofQ	Quantity on Issue	
1 NI	0	NIV	WINTERISED ITEMS	REF EA		
	1	7RU U1030	2990-99-244-6327 RRC7260	. MUFF ASSEMBLY, RADIATOR.	1 EA	
	2	7RU U1030	2990-99-356-4461 RRC7264	. FLAP, RADIATOR MUFF.	1 EA	
	3	7RU U1030	2540-99-391-0323 RRC7247	. BLIND, WINDSCREEN.	1 EA	
	4	7RU U1030	2540-99-904-4134 RRC7211	. BLIND, COMPRISING, BLIND, LOOP, FASTENER TOP, LOOP FASTENER FRONT, LOOP FASTENER REAR, 3 ASSY STRAPS, 4 STAPLES & 4 BACKINGS, LH.	1 EA	
	4	7RU U1030	2540-99-811-5432 RRC7210	. BLIND, RH.	1 EA	
	5	7RU U1030	2540-99-817-8230 RRC7237	. BLIND ASSEMBLY, QUARTERLIGHT, COMPRI SES BLIND, STRAP, 2 STAPLES AND LOOP FASTENERS.	1 EA	
	5	7RU U1030	2540-99-601-7513 RRC7238	. BLIND, COMPRISING, BLIND, ASSY STRAP, LOOP FASTENER TOP, LOOP FASTENER INNER, LOOP FASTENER SIDE, 2 STAPLES & 2 BACKINGS, RH.	1 EA	
	6	7RU U1030	2540-99-075-5509 RRC7226	. BLIND, COMPRISING BLIND, LOOP FASTENER TOP, LOOP FASTENER SIDE, LOOP FASTENER BOTTOM SHORT & LONG, 2 ASSY STRAPS, 3 STAPLES & BACKINGS	1 EA	
	7	U1030	NIV RRC7375	. BLIND, FUEL FILTER.	1 EA	
	8	6MT13 U1030	8315-01-414-2118 SJ-3572	. FASTENER TAPE, HOOK.	AR MR	
	9	7RU U1030	8315-99-125-9278 BPR659	. FASTENER TAPE, HOOK AND PILE.	AR MR	
NI	10	6MT11 D3800	2540-12-330-2159 46253	. CHAIN ASSEMBLY, TIRE, QUICK FITTING, LATTICE TYPE CASE HARDENED STEEL.	4 EA	

CHAPTER 3

INDEXES

CONTENTS

Para

1 Introduction

Chapter

3-1 Index of NATO Stock Numbers to Chapter, Figure and Item Numbers.

3-2 Index of Manufacturers' Part/Drawing Numbers to Chapter, Figure and Item Numbers.

3-3 Not Issued.

3-4 Index of NATO Supply Code for Manufacturers to Manufacturers' Name.

INTRODUCTION

1 This chapter identifies the number of indexes provided in support to the Main Parts List.

CHAPTER 3-1

INDEX OF NATO STOCK NUMBERS

TO

CHAPTER, FIGURE AND ITEM NUMBERS

INDEX OF NATO STOCK NUMBERS
TO
CHAPTER, FIGURE AND ITEM NUMBERS

NATO Stock Number	Chapter 2 Sub-chap	Fig & Item	NATO Stock Number	Chapter 2 Sub-chap	Fig & Item
8315-01-414-2118	3-1	1-8	5120-99-817-1229	1-1	2-6
6210-12-121-7333	1-1	1-7	2540-99-817-8230	3-1	1-5
2540-12-330-2159	3-1	1-10	5365-99-823-7203	1-1	3-6
2540-99-075-5509	3-1	1-6	5120-99-825-4618	1-1	4-3
1080-99-120-6114	1-1	3-10	2540-99-825-6119	1-1	3-2
8315-99-125-9278	3-1	1-9	2590-99-829-9881	2-1	1-2
1080-99-127-8180	1-1	3-9	2590-99-829-9882	2-1	1-3
1080-99-130-8669	1-1	3-12	2540-99-830-6430	1-1	3-3
1080-99-130-8670	1-1	3-13	2540-99-832-8262	1-1	1-6
2590-99-453-0975	1-1	3-15	2540-99-838-0633	1-1	4-4
8340-99-130-8671	1-1	3-14	2520-99-838-0634	1-1	4-5
7080-99-130-8673	1-1	3-11	4210-99-839-9904	1-1	1-1
8340-99-132-0028	1-1	3-8	4210-99-839-9905	1-1	1-10
5120-99-136-5590	1-2	1-3	2590-99-850-1370	2-1	1-1
5340-99-139-8389	1-1	1-12	2320-99-893-7008	2	1-1
7240-99-139-8898	1-1	3-7	2320-99-893-7033	2	1-1
2990-99-244-6327	3-1	1-1	2320-99-893-8037	2	1-1
6160-99-300-8746	2-1	2-1	2320-99-893-8038	2	1-1
4140-99-309-4655	2-1	2-11	2320-99-893-8041	2	1-1
2990-99-356-4461	3-1	1-2	2320-99-893-8042	2	1-1
2540-99-391-0323	3-1	1-3	2320-99-893-8053	3	1-1
2610-99-405-6007	1-1	2-3(1)	2320-99-893-8057	2	1-1
2610-99-131-1539	1-1	2-3(2)		3	1-1
6160-99-499-9115	2-1	2-2	2320-99-893-8119	2	1-1
5940-99-562-4273	1-1	1-9	2320-99-893-8120	2	1-1
2510-99-591-1455	1-1	3-5	2320-99-893-8902	2	1-1
2540-99-601-7513	3-1	1-5	2320-99-893-8905	2	1-1
4910-99-700-7812	1-2	1-4	2320-99-893-9101	2	1-1
2540-99-702-5699	1-1	1-6	2320-99-893-9105	2	1-1
2540-99-721-4447	1-1	1-2	2320-99-893-9106	2	1-1
2910-99-729-8390	1-1	4-6	2320-99-893-9144	3	1-1
2540-99-738-1247	2-1	2-7	2320-99-893-9198	2	1-1
2540-99-739-7171	1-1	3-1	2320-99-908-6494	2	1-1
2540-99-740-0878	1-1	1-8	2320-99-908-6616	2	1-1
5120-99-778-5810	1-1	4-2	2320-99-908-7422	2	1-1
2540-99-666-4847	1-1	1-4	2320-99-908-7423	2	1-1
2540-99-795-3170	1-1	1-5	2320-99-893-9198	2	1-1
2590-99-802-9254	2-1	2-4	2320-99-908-6494	2	1-1
6140-99-803-4364	2-1	2-3	2320-99-908-6616	2	1-1
5940-99-805-1311	2-1	2-5	2320-99-908-7422	2	1-1
5940-99-805-1312	2-1	2-6	2320-99-908-7423	2	1-1
2530-99-806-1967	1-1	2-2(1)	2320-99-908-7424	2	1-1
2530-99-244-7869	1-1	2-2(2)	2320-99-908-7425	2	1-1
2640-99-809-2810	1-1	2-5(1)	2320-99-908-7426	2	1-1
2640-99-808-3079	1-1	2-5(2)	2320-99-908-7427	2	1-1
2610-99-809-3633	1-1	2-4	2320-99-908-7428	2	1-1
5310-99-052-0786	1-1	2-7	2320-99-908-7424	2	1-1
2540-99-809-8647	2-1	2-10	2320-99-908-7447	2	1-1
2540-99-809-8649	2-1	2-8	2540-99-904-4134	3-1	1-4
2540-99-809-8962	2-1	2-9	2590-99-904-4146	2-1	1-4
2540-99-811-5432	3-1	1-4	5120-99-910-5525	1-2	1-2

**INDEX OF NATO STOCK NUMBERS
TO
CHAPTER, FIGURE AND ITEM NUMBERS**

NATO Stock Number	Chapter 2 Sub-chap	Fig & Item
5120-99-910-5964	1-2	1-1
5340-99-910-8185	1-1	1-11
2510-99-942-2080	1-1	3-4
6230-99-942-7876	2-1	2-12

NATO Stock Number	Chapter 2 Sub-chap	Fig & Item
6240-99-995-9813	2-1	2-13
5120-99-301-5192	1-1	4-8
5120-99-301-7134	1-1	4-9

CHAPTER 3-2

INDEX OF MANUFACTURERS' PART/DRAWING NUMBERS

TO

CHAPTER, FIGURE AND ITEM NUMBERS

INDEX OF MANUFACTURERS' PART/DRAWING NUMBERS
TO
CHAPTER, FIGURE AND ITEM NUMBERS

Manufacturers Parts or Drawing Numbers	Chapter 2- Sub-chap	Fig & Item
0671	1-2	1-1
1.045.14.01	2-1	2-5
1.046.14.01	2-1	2-6
10-99-531	1-2	1-3
11155	1-1	1-1
1619-0778	1	1-1
	3	1-1
1619-3100	1	1-1
	3	1-1
1619-3101	1	1-1
	3	1-1
1626-3100	1	1-1
	2	1-1
	3	1-1
1626-3101	1	1-1
	2	1-1
	3	1-1
16L	1-1	2-5
1708-3100	1	1-1
	3	1-1
1708-3101	1	1-1
	3	1-1
1721-3100	1	1-1
	2	1-1
	3	1-1
1721-3101	1	1-1
	2	1-1
	3	1-1
2AB 001 208-02	1-1	1-7
349967	1-1	3-3
37861-80	1-1	2-5(2)
425TG	1-1	1-10
46253	3-1	1-10
54930811	2-1	2-4
569805	2-1	2-10
569807	2-1	2-9
569808	2-1	2-8
592513	1-1	4-4
592514	1-1	4-5
599	2-1	2-13
59955	1-1	3-6
7-50-8-25-16TR15	1-1	2-4
7.50 R 16C 4x4 O/R XZL TL 116N	1-1	2-3
A1/11168	1-1	3-13

**INDEX OF MANUFACTURERS' PART/DRAWING NUMBERS
TO
CHAPTER, FIGURE AND ITEM NUMBERS**

Manufacturers Parts or Drawing Numbers	Chapter 2- Sub-chap	Fig & Item
A1/8350	1-1	3-14
A2/8351	1-1	3-12
A3-9517	1-1	1-11
A3/8286	1-1	3-11
AB 562	1-4	1-2
ABLOY3041	1-1	1-12
AESP 2320-D-122-201	1-4	1-3
AESP 2320-D-122-601	1-4	1-4
ANR4583PM	1-1	2-7
B/1910	1-1	3-9
BPR659	3-1	1-9
CES 31784	1-4	1-1
CGS/CSSL/89	1-1	3-10
CGS/CSSL/90	1-1	3-8
CTB300140	1-1	1-2
EGH1000/2/4/ FM 1	2-1	2-11
EVB000340	1-1	1-6
EVB000350	1-1	1-6
FV 157949	2-1	2-12
FV2000727	1-1	2-2
FV987958	1-1	3-2
G90	1-1	2-3(2)
KNK500030	1-1	3-15
LHU02	1-1	4-3
LR031924	1-1	4-8
LR011850	1-1	4-9
LUB1 1-2WPOLY	1-1	3-7
MRC8491	2-1	1-1
MTC5083	1-1	1-5
MWC4746	1-1	3-4
MWC4747	1-1	3-5
NRC8511	1-1	4-2
PRC1824	2-1	1-2
PRC1825	2-1	1-3
PRC5477	1-1	1-9
PW2169/6	1-2	1-2
RAW27	1-1	2-6
RRC2094	1-1	1-8
RRC2615	2-1	2-2
RRC2662	2-1	1-4
RRC3544	2-1	2-1
RRC3668	2-1	2-7
RRC3975	1-1	3-1
RRC7210	3-1	1-4
RRC7211	3-1	1-4
RRC7226	3-1	1-6
RRC7237	3-1	1-5
RRC7238	3-1	1-5

**INDEX OF MANUFACTURERS' PART/DRAWING NUMBERS
TO
CHAPTER, FIGURE AND ITEM NUMBERS**

Manufacturers Parts or Drawing Numbers	Chapter 2- Sub-chap	Fig & Item
RRC7247	3-1	1-3
RRC7260	3-1	1-1
RRC7264	3-1	1-2
RRC7375	3-1	1-7
RRD100010	1-1	2-2(2)
RTC4740	1-1	4-6
SJ-3572	3-1	1-8
TPG60H03	1-2	1-4
UK6TN	2-1	2-3
VM2	1-1	1-4

CHAPTER 3-4

INDEX OF NATO SUPPLY CODE FOR MANUFACTURERS

TO

MANUFACTURERS' NAME

**INDEX OF NATO SUPPLY CODE FOR MANUFACTURERS
TO
MANUFACTURERS' NAMES**

NSCM	Manufacturer
D3800	RUD ,Postfach 1650,73428 Allen, Germany
D8095	Hella Kg Hueck & Co, Rixbecker Strasse, Lippstadt
K0049	Lucas Electrical Co Ltd, Great King St, Birmingham (Superseded by K0165)
K0165	Francis Searchlights Ltd, Union Rd, Bolton
K0395	Oldham Batteries Ltd, Edward St, Denton, Manchester
K1040	Lucas Batteries Ltd, Birmingham
K1368	Defence Clothing &Textiles Authority, Didcot
K2255	Britax Ltd, Castle Trading Estate, Porchester
K2956	Michelin Tyre, Campbell Rd, Stoke-On-Trent.ST4 4EY
K4730	Tangye Ltd, Walter St, Aston, Birmingham B7 5ET
K5984	Metallifactory Ltd, Mansfield Rd, Nottingham
K6759	Locking devices Ltd, 313 West end Lane, London
K8220	Spafax International Ltd, Stroudley Road, Basingstoke, Hampshire
K8482	Record Power Ltd, Kettlebridge Rd, Sheffield
U0795	MoD. (DRA), FV & S Chobham Lane, Chertsey, Surrey
U1030	Land Rover Parts, Banbury Road, Gaydon, Warwick, CV35 0RR
U1269	MoD (Army), ATSA DTS, Ha-Ha Road, Woolwich.SE18 4QF
U1315	Neill Tools Ltd, Handsworth Rd, Sheffield
U1776	Firestone Tyre & Rubber Co Ltd, Bridgestone House
U2042	Caridon Pcl Ltd, Sheffield, S19 5GZ
U2211	Lubecon Ltd, Old Woking Rd, Byfleet, Weybridge
U2384	Sheffield Steel Products Ltd, Sheffield. S9 1TH
U4369	Amerex fire International Ltd, Cwmbran, Gwent
U4542	Supacat Ltd, Durkeswell, Honiton, Devon

NSCM	Manufacturer
U4626	Durnbury Ltd, Bluebridge Ind Est, Halstead, Essex

COMMENT(S) ON AESP*

To: FRACAS
 BFPO 794

From:

Sender's Reference	BIN Number	Date
AESP Title:		
Chapter(s)/Instruction	Page(s)/Paragraph(s)	
If you require more space, please use the reverse of this form or a separate piece of paper. Comment(s):		

Signed: Telephone No:.....

Name (Capitals): Rank/Grade: Date:.....

✕

FOR AESP* SPONSOR USE ONLY

To: From:
.....
.....

Thank you for commenting on AESP*

Your reference..... Dated:

Action is being taken to:	Tick	Tick
Issue a revised/amended AESP*		Under investigation
Incorporate comment(s) in future amendments		No action required
Remarks		

Signed: Telephone No:.....

Name (Capitals): Rank/Grade: Date:.....

* AESP or EMER

AESP Form 10 (Issue 5 dated Feb 01)