

USED ON	CLASSIFICATION													
	REFERENCE No.			TITLE					COLUMN					
	8465-99-978-9220			RUCKSACK, LONG BACK (CON) D.P.M. IRR					A					
	8465-99-978-9221			RUCKSACK, SHORT BACK (CON) D.P.M. IRR					B					
	SIZE	DRAWING No		ISSUE				SIZE	DRAWING No		ISSUE			
				A	B	C	D				A	B	C	D
		DRAWING LIST FOR A0/8673 SHEET 1		12	12				ITEM LIST FOR A0/8676 SHEET 1		1	1		
		DRAWING LIST FOR A0/8673 SHEET 2		10	10				ITEM LIST FOR A0/8676 SHEET 2		1	1		
		DRAWING LIST FOR A0/8673 SHEET 3		2	2				ITEM LIST FOR A0/8676 SHEET 3		1	1		
		ITEM LIST FOR A0/8673 SHEET 1		5	5			A0	8676		4	4		
	ITEM LIST FOR A0/8673 SHEET 2		6	6										
A0	8673		8	8				ITEM LIST FOR A0/8681 SHEET 1			4			
								ITEM LIST FOR A0/8681 SHEET 2			4			
								ITEM LIST FOR A0/8681 SHEET 3			2			
	DRAWING LIST FOR A1/8951 & ALL DRAWINGS		CURRENT				A0	8681			4			
								ITEM LIST FOR A0/8684 SHEET 1		5				
	DRAWING LIST FOR A1/8954 & ALL DRAWINGS		CURRENT					ITEM LIST FOR A0/8684 SHEET 2		3				
							A0	8684		5				
	ITEM LIST FOR A0/8675 SHEET 1		4					ITEM LIST FOR A0/8685 SHEET 1		1	1			
	ITEM LIST FOR A0/8675 SHEET 2		4					ITEM LIST FOR A0/8685 SHEET 2		1	1			
	ITEM LIST FOR A0/8675 SHEET 3		2				A0	8685		6	6			
A0	8675		3											
							12	25-07-05	CS 2329					
							11	07-03-97	CS 2047					
							ISSUE	DATE	MOD No					
ISSUE	DATE	MOD No	ISSUE	DATE	MOD No	REFERENCE No	A/S 2450							
APPROVED	CONTRACTOR					CERTIFIED	APP'D FOR INSPECTION							
M.KILBURN						G.FULLAGAR	R.LAZENBY							
CHECKED	AO-8673-DL-1					CLASSIFICATION								
JWR	DEFENCE CLOTHING IPT (DLO CAVERSFIELD)					CONTRACTORS DRAWING LIST REF								
DRAWN	TITLE					DRAWING LIST FOR					SHEET No 1 OF 3			
JWR	RUCKSACK LONG AND SHORT BACK '90 PATTERN EQUIPMENT					A0/8673								
	NSN SEE TABLE													

USED ON	CLASSIFICATION											
	REFERENCE No.			TITLE					COLUMN			
	8465-99-978-9220			RUCKSACK, LONG BACK (CON) D.P.M. IRR					A			
	8465-99-978-9221			RUCKSACK, SHORT BACK (CON) D.P.M. IRR					B			
	SIZE	DRAWING No	ISSUE				SIZE	DRAWING No	ISSUE			
			A	B	C	D			A	B	C	D
		ITEM LIST FOR A0/8686	1	1				ITEM LIST FOR A1/8677	1			
	A0	8686	6	6			A1	8677	4			
		ITEM LIST FOR A0/8690	1					ITEM LIST FOR A1/8678	1			
	A0	8690	5				A1	8678	4			
		ITEM LIST FOR A0/8692	1	1				ITEM LIST FOR A1/8679	1	1		
	A0	8692	4	4			A1	8679	4	4		
		ITEM LIST FOR A0/8700 SHEET 1		5				ITEM LIST FOR A1/8680		2		
		ITEM LIST FOR A0/8700 SHEET 2		3			A1	8680		4		
	A0	8700		6								
	ITEM LIST FOR A0/8702		1			A1	8682		4			
A0	8702		5									
	ITEM LIST FOR A1/8674	2				A1	8683		4			
A1	8674	4										
							10	25-07-05	CS 2329			
							9	07-03-97	CS 2047			
							ISSUE	DATE	MOD No			
ISSUE	DATE	MOD No	ISSUE	DATE	MOD No	REFERENCE No	A/S 2450					
APPROVED	CONTRACTOR					CERTIFIED	APP'D FOR INSPECTION					
M.KILBURN						G.FULLAGAR	R.LAZENBY					
CHECKED	AO-8673-DL-2					CLASSIFICATION						
JWR	DEFENCE CLOTHING IPT (DLO CAVERSFIELD)					CONTRACTORS DRAWING LIST REF						
DRAWN	RUCKSACK LONG AND SHORT BACK '90 PATTERN EQUIPMENT					DRAWING LIST FOR					SHEET No 2 OF 3	
JWR	NSN SEE TABLE					A0/8673						

USED ON	CLASSIFICATION											
	REFERENCE No.			TITLE						COLUMN		
	8465-99-978-9220			RUCKSACK, LONG BACK (CON) D.P.M. IRR						A		
	8465-99-978-9221			RUCKSACK, SHORT BACK (CON) D.P.M. IRR						B		
SIZE	DRAWING No	ISSUE				SIZE	DRAWING No	ISSUE				
		A	B	C	D			A	B	C	D	
	ITEM LIST FOR A1/8687	1	1			A0	8696	3				
A1	8687	6	6			A0	8697	3	3			
						A0	8698	3	3			
	ITEM LIST FOR A1/8693	1	1			A0	8701 SHEET 1		4			
A1	8693	4	4			A0	8701 SHEET 2		2			
						A0	8703		4			
	ITEM LIST FOR A1/8694	1				A0	8705		3			
A1	8694	4				A0	8706		3			
	ITEM LIST FOR A1/8704		1			A1	8695	3				
A1	8704		4			A1	8699	4				
						A1	8707		4			
	ITEM LIST FOR A1/8708	1	1									
A1	8708	1	1				SPECIFICATION UK/SC/5168		CURRENT			
A0	8688 SHEET 1	4										
A0	8688 SHEET 2	2										
A0	8689	4	4									
A0	8691	4										
							2	25-07-05	CS 2329			
							1	07-03-97	CS 2047			
							ISSUE	DATE	MOD No			
ISSUE	DATE	MOD No	ISSUE	DATE	MOD No	REFERENCE No	A/S 2450					
APPROVED M.KILBURN	CONTRACTOR					CERTIFIED G.FULLAGAR	APP'D FOR INSPECTION R.LAZENBY					
CHECKED JWR	A0-8673-DL-3 DEFENCE CLOTHING IPT (DLO CAVERSFIELD)					CLASSIFICATION						
DRAWN JWR	TITLE RUCKSACK LONG AND SHORT BACK '90 PATTERN EQUIPMENT NSN SEE TABLE					CONTRACTORS DRAWING LIST REF DRAWING LIST FOR A0/8673					SHEET No 3 OF 3	

USED ON	CLASSIFICATION							
	REFERENCE No.	TITLE				COLUMN		
	8465-99-978-9220	RUCKSACK, LONG BACK (CON) D.P.M. IRR				A		
	8465-99-978-9221	RUCKSACK, SHORT BACK (CON) D.P.M. IRR				B		
	ITEM	DRG.No.	NAME	No. OFF				REMARKS
				A	B	C	D	
	1	A1/8674	BACK ASSEMBLY (LONG)	1			ITEM LIST	
	2	A1/8680	BACK ASSEMBLY (SHORT)		1		ITEM LIST	
	3	A0/8675	FRONT ASSEMBLY (LONG)	1			ITEM LIST	
	4	A0/8681	FRONT ASSEMBLY (SHORT)		1		ITEM LIST	
5	A0/8676	TOP LID ASSEMBLY	1	1		ITEM LIST		
6	A1/8677	BASE ASSEMBLY (LONG)	1			ITEM LIST		
7	A1/8682	BASE ASSEMBLY (SHORT)		1		ITEM LIST		
8	A1/8678	SHROUD ASSEMBLY (LONG)	1			ITEM LIST		
9	A1/8683	SHROUD ASSEMBLY (SHORT)		1		ITEM LIST		
10	A1/8679	FRAME COVER ASSEMBLY	1	1		ITEM LIST		

REDRAWN AT ISSUE 5									
						5	25-07-05	CS 2329	
						ISSUE	DATE	MOD No	
ISSUE	DATE	MOD No	ISSUE	DATE	MOD No	REFERENCE No	A/S 2450		
APPROVED	CONTRACTOR				CERTIFIED		APP'D FOR INSPECTION		
M.KILBURN					G.FULLAGAR		R.LAZENBY		
CHECKED	AO-8673-IL-1				CLASSIFICATION				
JWR	DEFENCE CLOTHING IPT (DLO CAVERSFIELD)				CONTRACTORS ITEM LIST REF				
DRAWN	RUCKSACK LONG AND SHORT BACK '90 PATTERN EQUIPMENT				ITEM LIST FOR				SHEET No 1 OF 2
JWR	NSN SEE TABLE				A0/8673				

USED ON	CLASSIFICATION							
	REFERENCE No.	TITLE				COLUMN		
	8465-99-978-9220	RUCKSACK, LONG BACK (CON) D.P.M. IRR				A		
	8465-99-978-9221	RUCKSACK, SHORT BACK (CON) D.P.M. IRR				B		
	ITEM	DRG.No.	NAME	No. OFF				REMARKS
				A	B	C	D	
	11	A1/8951	FRAME ASSEMBLY (LONG)	1				ITEM LIST
	12	A1/8954	FRAME ASSEMBLY (SHORT)		1			ITEM LIST
	13	N.D.	CORD POLYESTER PLAITED	2	2			CUT LENGTH
			WITH CORE, REF SYC 32					800mm
			OLIVE DRAB					
	14	N.D.	BUCKLE CORD FIXLOCK	1	1			
			PART No.C1 3/4					

REDRAWN AT ISSUE 6								
						6	25-07-05	CS 2329
						ISSUE	DATE	MOD No
ISSUE	DATE	MOD No	ISSUE	DATE	MOD No	REFERENCE No	A/S 2450	
APPROVED	CONTRACTOR				CERTIFIED		APP'D FOR INSPECTION	
M.KILBURN					G.FULLAGAR		R.LAZENBY	
CHECKED	AO-8673-IL-2				CLASSIFICATION			
JWR	DEFENCE CLOTHING IPT (DLO CAVERSFIELD)				CONTRACTORS ITEM LIST REF			
DRAWN	RUCKSACK LONG AND SHORT BACK '90 PATTERN EQUIPMENT				ITEM LIST FOR			
JWR	NSN SEE TABLE				A0/8673			
								SHEET No 2 OF 2

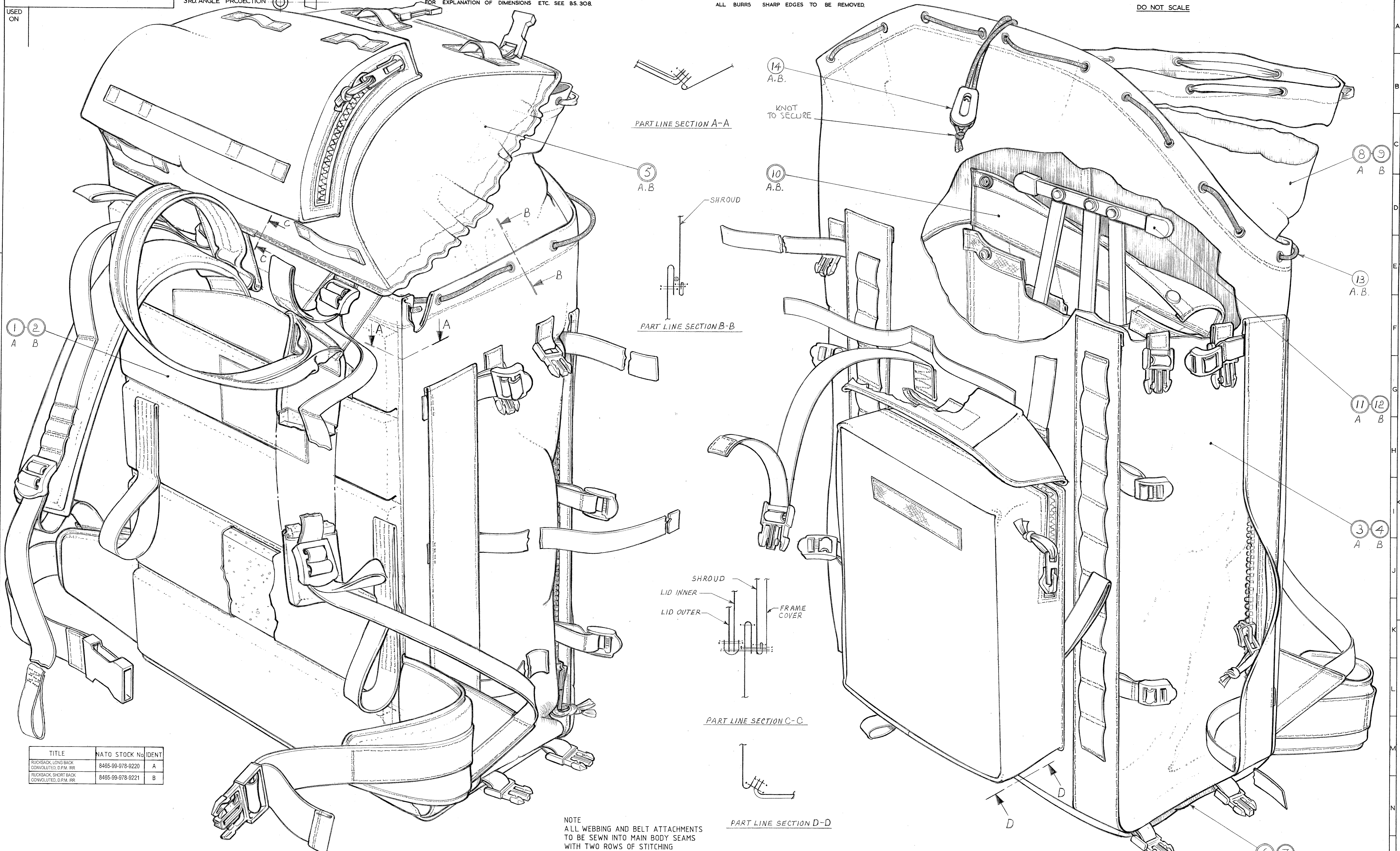
USED ON

3RD ANGLE PROJECTION

FOR EXPLANATION OF DIMENSIONS ETC. SEE BS. 308.

ALL BURRS SHARP EDGES TO BE REMOVED.

DO NOT SCALE



TITLE	NATO STOCK No	IDENT
RUCKSACK, LONG BACK CONVOLUTED, D.P.M. IRR	8465-99-978-9220	A
RUCKSACK, SHORT BACK CONVOLUTED, D.P.M. IRR	8465-99-978-9221	B

APPROVED	8	25-07-05	CS 2329
CHECKED	7	23/9/93	CS 1870
TRACED	6	5.10.92	CS 1755
	5	21/9/92	CS 1750
	4	18.9.91	CS 1688
	3	8.1.91	CS1633
	2	5.11.90	CS1512
DRAWN	ISSUE	DATE	MOD. No.
R.M.	1	9-3-90	

APPROVED FOR INSPECTION
[Signature]

CERTIFIED
[Signature]

MATERIAL
SEE SPECIFICATION
UK/SC/5168

FINISH

TOLERANCES

REFERENCE A/S 2450

DIMENSIONS IN

SCALE
N.T.S.

CONTRACTOR
STORES AND CLOTHING R & D ESTABLISHMENT

TITLE
RUCKSACK LONG & SHORT BACK '90 PATTERN EQUIPMENT

CLASSIFICATION

CONTRACTORS DRAWING No.

DRAWING No
A0/8673

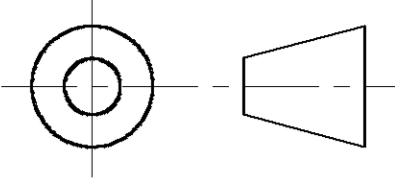
CLASSIFICATION

DRAWING PRODUCED TO BS.8888 AND ASSOCIATED STANDARDS ALL BURRS & SHARP EDGES TO BE REMOVED

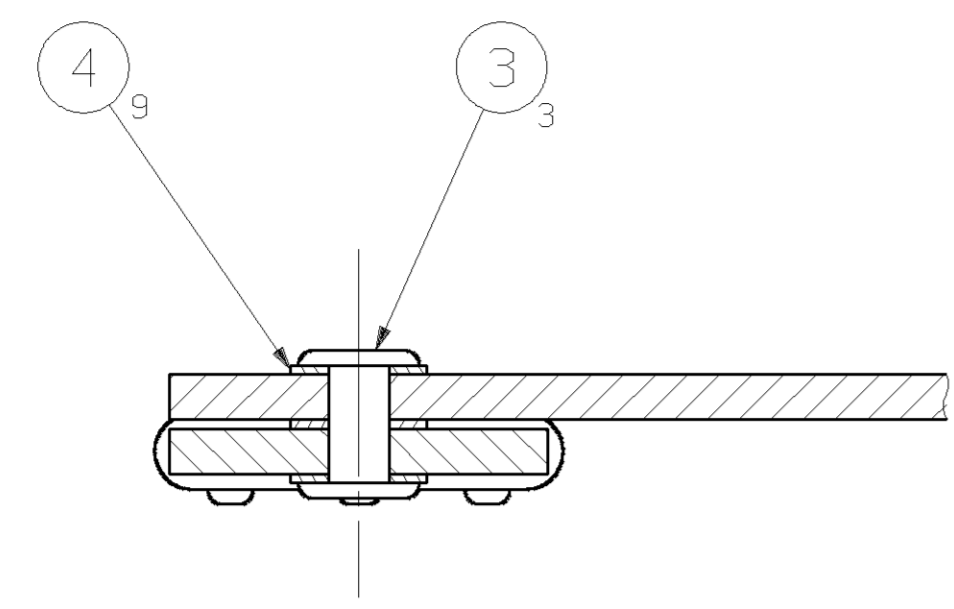
CAD DRAWING NOT TO BE CHANGED MANUALLY

DO NOT SCALE

3RD. ANGLE PROJECTION

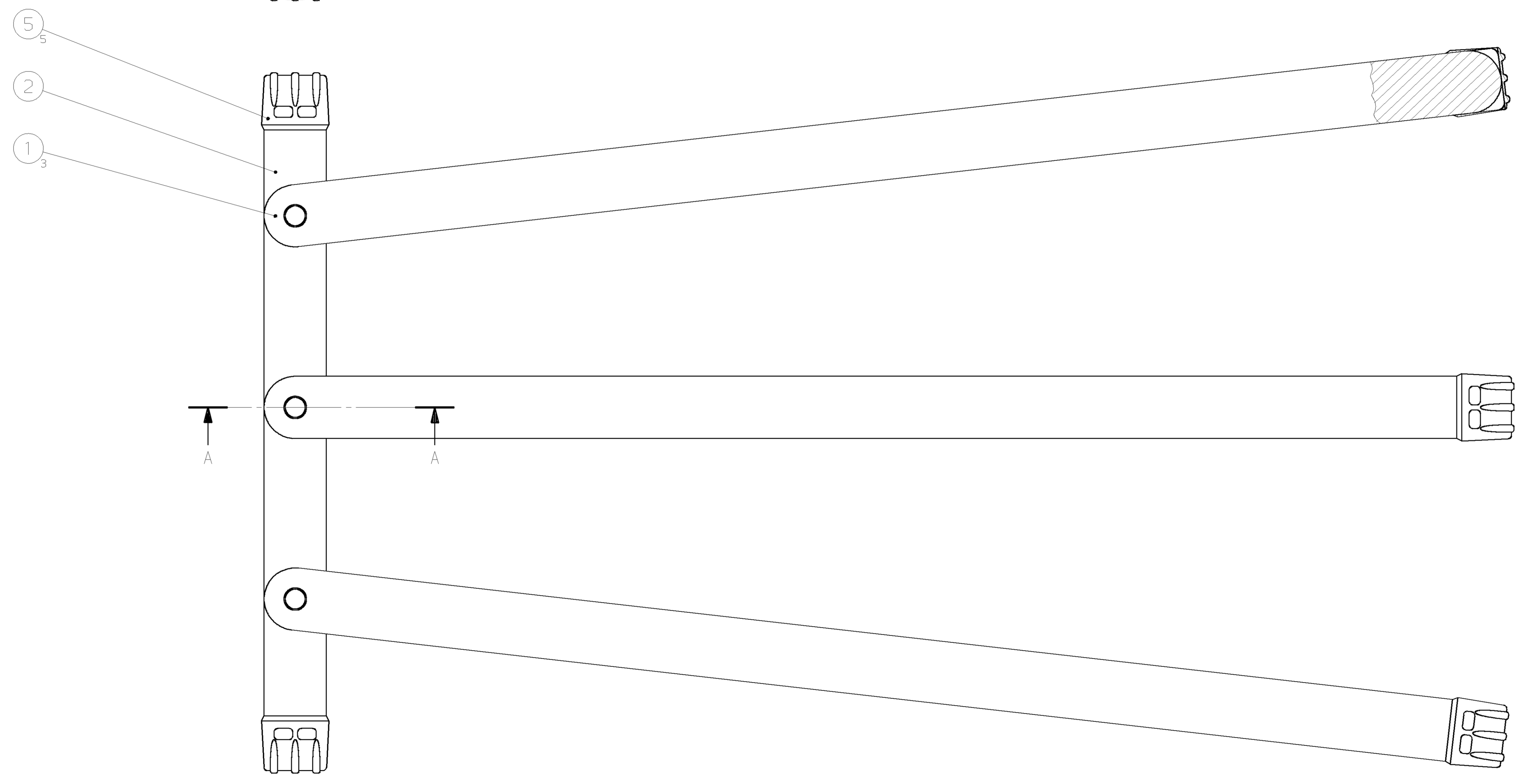


USED ON
A0/8673



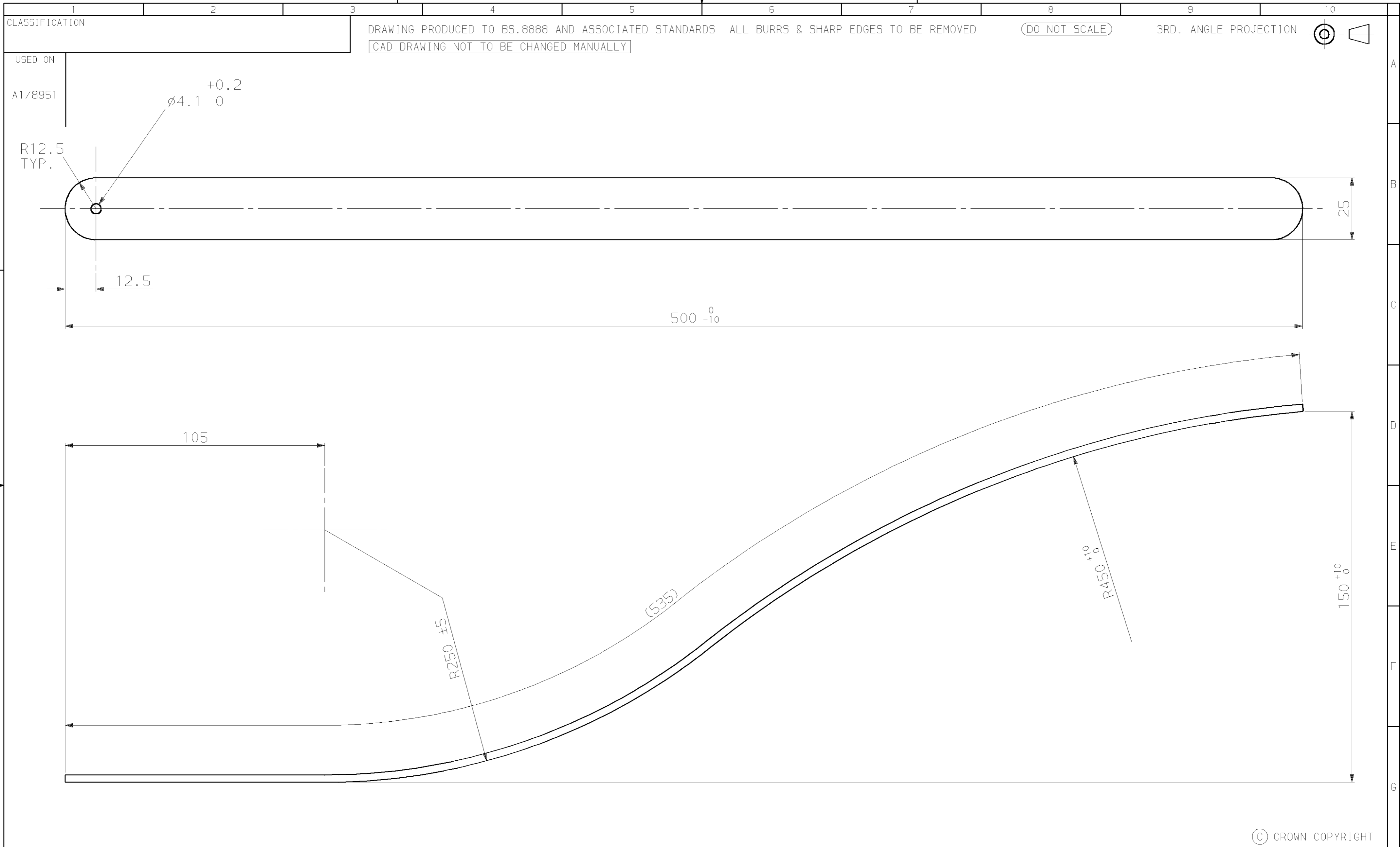
SECTION A-A
SCALE 2:1

NOTE: 1) SUPPORT TO MOVE FREELY AFTER RIVETING
2) FERRULE TO BE ADHERED TO SUPPORT WITH SUITABLE ADHESIVE



© CROWN COPYRIGHT

APPROVED J. CLARK							MATERIAL SEE SPECIFICATION UK/SC/5168	TOLERANCES NONE	DIMENSIONS IN MILLIMETRES	CONTRACTOR A1-8951	CLASSIFICATION
CHECKED DRT							FINISH SEE SPECIFICATION UK/SC/5168	UNLESS OTHERWISE STATED	ORIGINAL SCALE 1:1	DEFENCE CLOTHING IPT (DLO CAVERSFIELD)	CONTRACTORS DRAWING NO.
DRAWN AH	2 1	26-07-05 14-10-92	CS 2333				CERTIFIED G.DAVIES	APPROVED FOR INSPECTION D.BLACBURN	REFERENCE No A/S 2525-7	TITLE FRAME ASSEMBLY, RUCKSACK, LONG	DRAWING NO. A1/8951
	ISSUE	DATE	MOD NO.	ISSUE	DATE	MOD NO.				NSN 8465-99-978-9222	SHEET No 1 OF 1

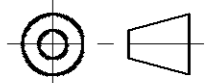


CLASSIFICATION

DRAWING PRODUCED TO BS.8888 AND ASSOCIATED STANDARDS ALL BURRS & SHARP EDGES TO BE REMOVED
 CAD DRAWING NOT TO BE CHANGED MANUALLY

DO NOT SCALE

3RD. ANGLE PROJECTION



USED ON
A1/8951

R12.5
TYP.

∅4.1 ^{+0.2}/₀

12.5

500 ⁰/₋₁₀

25

105

R250 ±5

(535)

R450 ⁰/₊₁₀

150 ⁰/₊₁₀

© CROWN COPYRIGHT

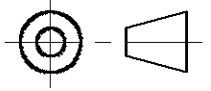
APPROVED							MATERIAL	TOLERANCES	CONTRACTOR	CLASSIFICATION
J. CLARK							ALUMINIUM ALLOY 3mm THICK, TO BS EN 573-3 EN AW-6082 T6	±1 UNLESS OTHERWISE STATED		
CHECKED							FINISH	DIMENSIONS IN MILLIMETRES	A2-8952	CONTRACTORS DRG.No.
DRT							NONE	ORIGINAL SCALE 1:1	DEFENCE CLOTHING IPT (DLO CAVERSFIELD)	
DRAWN	2	26-07-05	CS 2333				CERTIFIED	REFERENCE No	SUPPORT, LONG	DRG.No.
AH	1	14-10-92					G.DAVIES	A/S 2525-7		A2/8952
	ISSUE	DATE	MOD No	ISSUE	DATE	MOD No	APP'D FOR INSPECTION	NSN *		SHEET
							D.BLACKBURN			No 1
										OF 1

CLASSIFICATION

DRAWING PRODUCED TO BS.8888 AND ASSOCIATED STANDARDS
 ALL BURRS & SHARP EDGES TO BE REMOVED

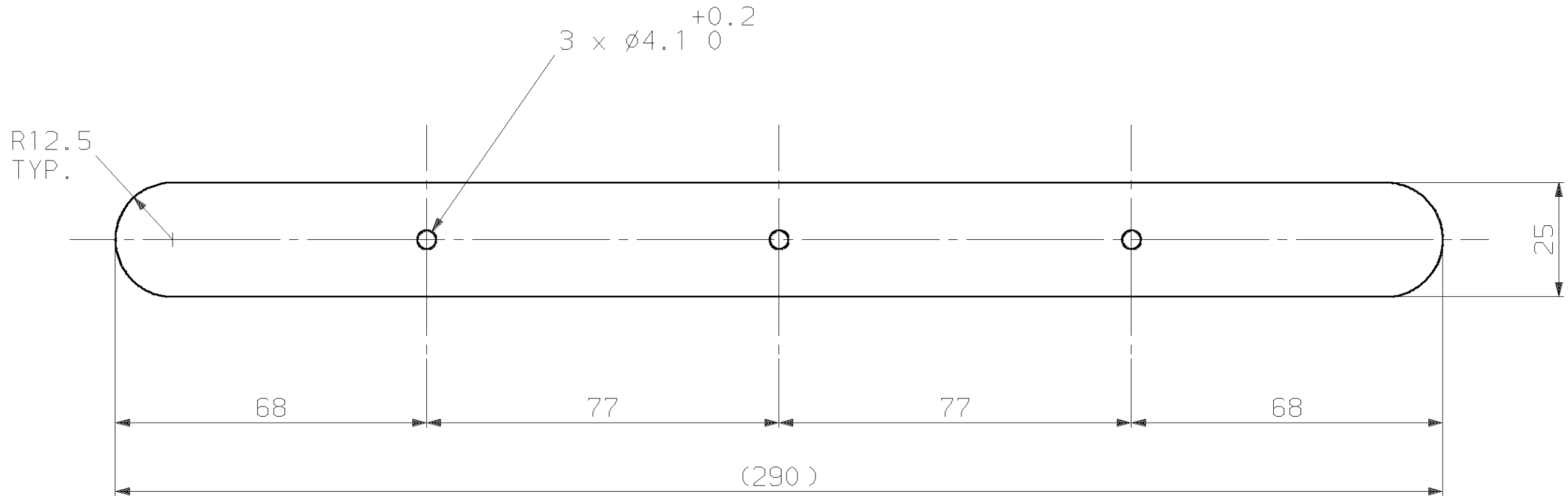
DO NOT SCALE

3RD. ANGLE PROJECTION



USED ON
 A1/8951
 A1/8954

CAD DRAWING NOT TO BE CHANGED MANUALLY



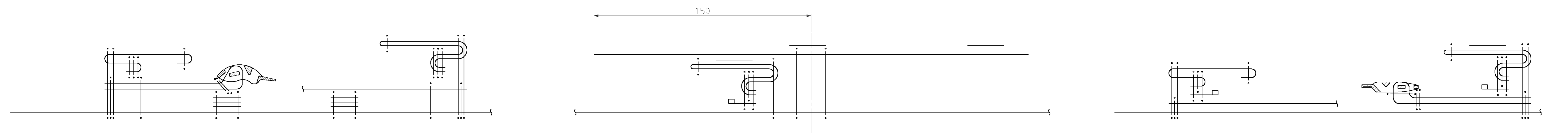
© CROWN COPYRIGHT

APPROVED				MATERIAL	TOLERANCES	CONTRACTOR	CLASSIFICATION
J. CLARK				ALUMINIUM ALLOY 3mm THICK TO BS EN 573-3 EN AW-6082 T6	± 0.5 UNLESS OTHERWISE STATED	A3-8953	CONTRACTORS DRG.No.
CHECKED				FINISH	DIMENSIONS IN mm	DEFENCE CLOTHING IPT (DLO CAVERSFIELD)	
DRT				NONE	ORIGINAL SCALE 1:1	TITLE	
DRAWN	2	26-07-05	CS 2333	CERTIFIED	REFERENCE No	STAY	DRG.No.
AH	1	14-10-92		G.DAVIES	A/S 2525-7		A3/8953
	ISSUE	DATE	MOD No	APP'D FOR INSPECTION		NSN *	SHEET
				D.BLACKBURN			No 1 OF 1

USED ON		CLASSIFICATION				CAD DRAWING NOT TO BE CHANGED MANUALLY			
A0/8673	ITEM	DRG.No.	NAME			No. OFF	REMARKS		
	1	A0/8692	RUCKSACK LONG AND SHORT 90 PATTERN FRONT POCKET ASSEMBLY AND PANELS			1	ITEM LIST		
	2	A1/8693	RUCKSACK LONG AND SHORT 90 PATTERN FRONT POCKET LID ASSEMBLY AND P			1	ITEM LIST		
	3	A1/8694	ZIP COVER ASSEMBLY WITH WEBBING, RIGHT HAND			1	ITEM LIST		
	4	A1/8694	ZIP COVER ASSEMBLY WITH WEBBING, LEFT HAND			1	ITEM LIST		
	5	A1/8694	ZIP COVER ASSEMBLY, RIGHT HAND			1	ITEM LIST		
	6	A1/8694	ZIP COVER ASSEMBLY, LEFT HAND			1	ITEM LIST		
	7	A0/8695	PANEL A, CLOTH COATED PU ON NYLON, PATT No.8725C			1			
							REDRAWN AT ISSUE		
							4	25-07-05	CS 2329
							ISSUE	DATE	MOD No
	ISSUE	DATE	MOD No	ISSUE	DATE	MOD No	REFERENCE No	A/S 2450	
	APPROVED	CONTRACTOR				CERTIFIED		APP'D FOR INSPECTION	
	M.KILBURN					G.FULLAGAR		R.LAZENBY	
CHECKED	AO-8675-IL-1				CLASSIFICATION				
JWR	DEFENCE CLOTHING IPT (DLO CAVERSFIELD)				CONTRACTORS ITEM LIST REF				
DRAWN	RUCKSACK LONG 90 PATTERN, FRONT ASSEMBLY				ITEM LIST FOR			SHEET No 1 OF 3	
JWR	NSN *				A0/8675				

USED ON A0/8673	CLASSIFICATION					CAD DRAWING NOT TO BE CHANGED MANUALLY			
	ITEM	DRG.No.	NAME			No. OFF	REMARKS		
8	N.D.	WEBBING, 25mm WIDE,			2	CUT LENGTH			
		PATT No.9350F				400mm			
9	N.D.	WEBBING, 25mm WIDE,			2	CUT LENGTH			
		PATT No.9350F				200mm			
10	N.D.	WEBBING, 25mm WIDE,			2	CUT LENGTH			
		PATT No.9350F				850mm			
11	N.D.	WEBBING, 19mm WIDE,			4	CUT LENGTH			
		PATT No.9350F				400mm			
12	N.D.	WEBBING, 19mm WIDE,			4	CUT LENGTH			
		PATT No.9350F				200mm			
13	N.D.	WEBBING, 19mm WIDE,			4	CUT LENGTH			
		PATT No.9350F				100mm			
14	N.D.	WEBBING, 19mm WIDE,			4	CUT LENGTH			
		PATT No.9350F				80mm			
					REDRAWN AT ISSUE				
						4	25-07-05	CS 2329	
						ISSUE	DATE	MOD No	
ISSUE	DATE	MOD No	ISSUE	DATE	MOD No	REFERENCE No	A/S 2450		
APPROVED M.KILBURN	CONTRACTOR					CERTIFIED G.FULLAGAR		APP'D FOR INSPECTION R.LAZENBY	
CHECKED JWR	AO-8675-IL-2					CLASSIFICATION			
DRAWN JWR	DEFENCE CLOTHING IPT (DLO CAVERSFIELD)					CONTRACTORS ITEM LIST REF			
TITLE RUCKSACK LONG 90 PATTERN, FRONT ASSEMBLY					ITEM LIST FOR A0/8675			SHEET No 2 OF 3	
NSN *									

USED ON A0/8673	CLASSIFICATION					CAD DRAWING NOT TO BE CHANGED MANUALLY		
	ITEM	DRG.No.	NAME			No. OFF	REMARKS	
	15	N.D.	WEBBING, 25mm WIDE,			2	CUT LENGTH	
			PATT No.9350F				240mm	
	16	N.D.	WEBBING, 25mm WIDE,			1	CUT LENGTH	
			PATT No.9350F				230mm	
	17	N.D.	TAPE TEXTILE, 19mm WIDE,			1	CUT LENGTH	
			PATT No.9447F				300mm	
	18	N.D.	BUCKLE SLL 25			2		
	19	N.D.	BUCKLE LL 20			4		
	20	N.D.	BUCKLE SR 20, MALE			8		
	21	N.D.	BUCKLE SR 25, MALE			2		
	22	N.D.	EYELET AND WASHER,			12		
			REF NO 2A/000/2B					
							REDRAWN AT ISSUE	
						4	25-07-05	CS 2329
					ISSUE	DATE	MOD No	
ISSUE	DATE	MOD No	ISSUE	DATE	MOD No	REFERENCE No	A/S 2450	
APPROVED M.KILBURN	CONTRACTOR				CERTIFIED G.FULLAGAR		APP'D FOR INSPECTION R.LAZENBY	
CHECKED JWR	AO-8675-IL-3				CLASSIFICATION			
DRAWN JWR	DEFENCE CLOTHING IPT (DLO CAVERSFIELD)				CONTRACTORS ITEM LIST REF			
	TITLE RUCKSACK LONG 90 PATTERN, FRONT ASSEMBLY				ITEM LIST FOR A0/8675		SHEET No 3 OF 3	
	NSN *							

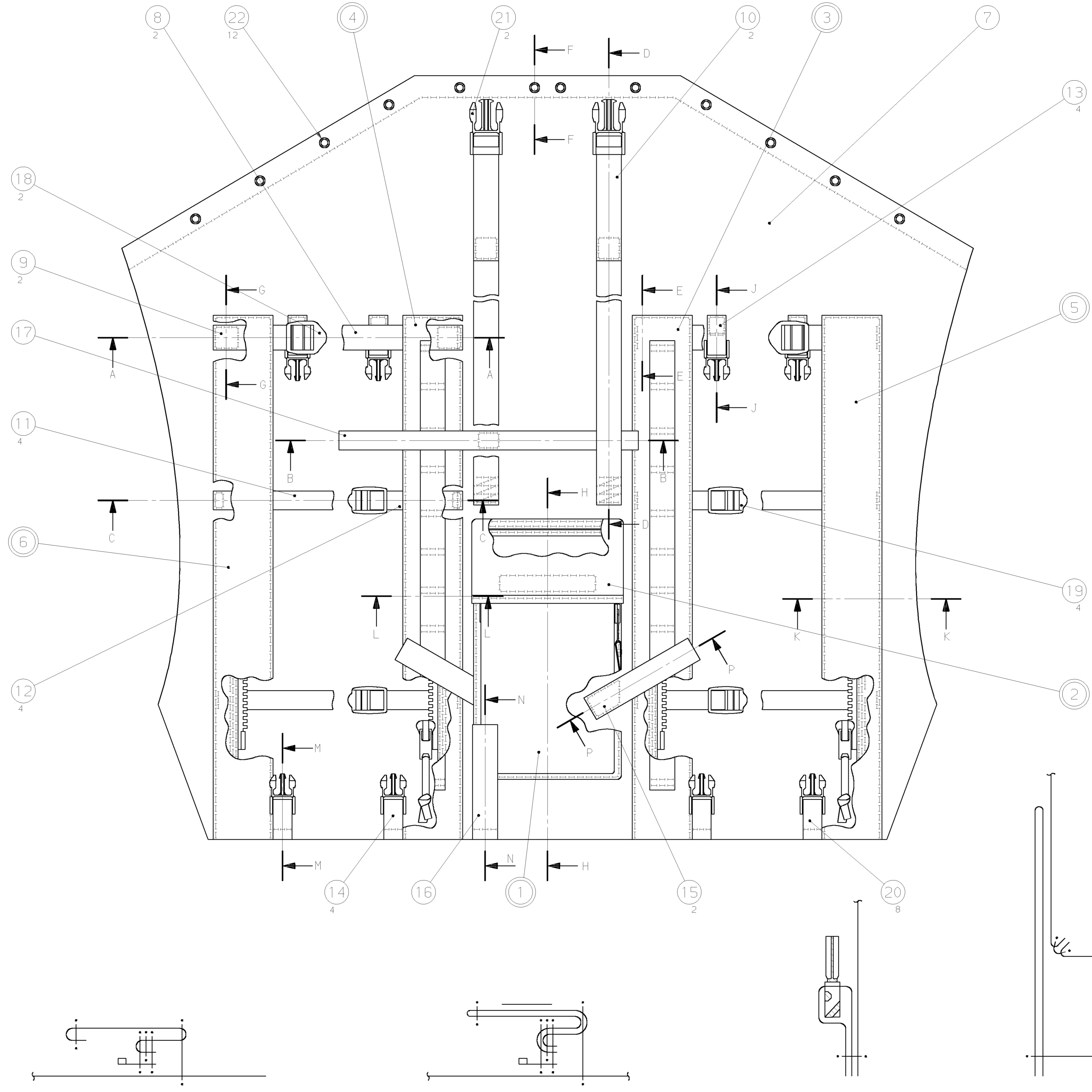


LINE SECTION A-A

LINE SECTION B-B

LINE SECTION C-C

STITCHING SHOWN THUS OR



LINE SECTION E-E

LINE SECTION F-F

LINE SECTION H-H

LINE SECTION J-J

LINE SECTION D-D

LINE SECTION G-G

LINE SECTION K-K

LINE SECTION L-L

LINE SECTION M-M

LINE SECTION N-N

LINE SECTION P-P

REDRAWN AT ISSUE 3

APPROVED	M. KILBURN								
CHECKED	JWR								
DRAWN	JWR	3	25-07-05	CS 2329					
		ISSUE	DATE	MOD NO.	ISSUE	DATE	MOD NO.	ISSUE	DATE

CERTIFIED	G. FULLAGAR
APPROVED FOR INSPECTION	R. LAZENBY

MATERIAL	SEE SPECIFICATION UK/SC/5168
FINISH	SEE SPECIFICATION UK/SC/5168

TOLERANCES	NONE UNLESS OTHERWISE STATED
REFERENCE No	A/S 2450

DIMENSIONS IN	MILLIMETRES
ORIGINAL SCALE	1:2 AND 1:1

CONTRACTOR	DEFENCE CLOTHING IPT (DLO CAVERSFIELD)
TITLE	RUCKSACK LONG 90 PATTERN, FRONT ASSEMBLY
NSN	*

CLASSIFICATION	A0-8675
CONTRACTORS DRAWING NO.	
DRAWING NO.	A0/8675
SHEET	No 1 OF 1

© CROWN COPYRIGHT

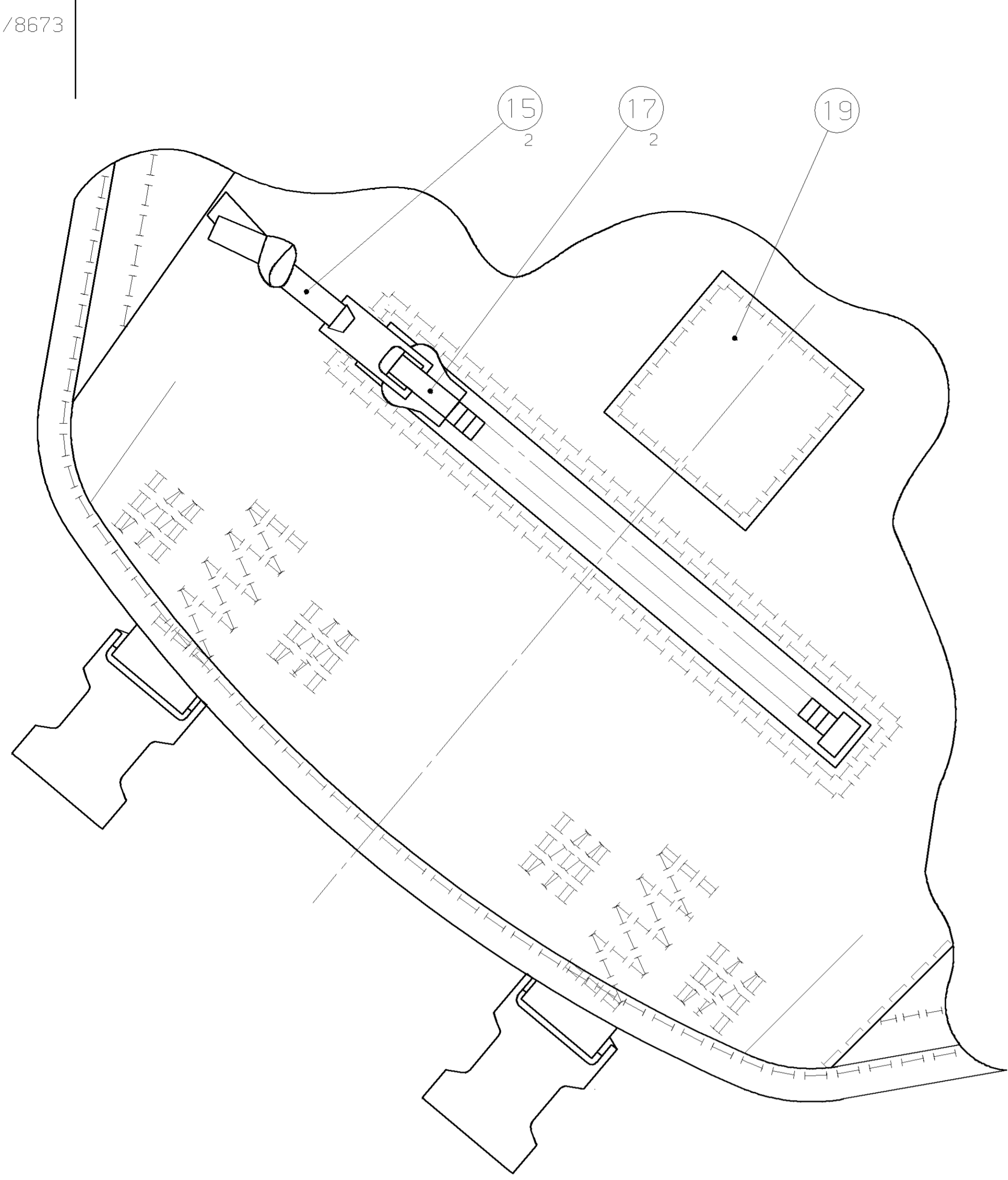
USED ON A0/8673	CLASSIFICATION		CAD DRAWING NOT TO BE CHANGED MANUALLY		
	ITEM	DRG.No.	NAME	No. OFF	REMARKS
	1	A0/8697	PANEL A, CLOTH COATED PU ON NYLON, PATT No.8725C	1	
	2	A0/8697	PANEL B, CLOTH COATED PU ON NYLON, PATT No.8725C	1	
	3	A0/8698	PANEL C, CLOTH COATED PU ON NYLON, PATT No.8725C	1	
	4	A0/8698	PANEL D, CLOTH COATED PU ON NYLON, PATT No.8725C	1	
	5	A0/8698	PANEL E, CLOTH COATED PU ON NYLON, PATT No.8725C	1	
	6	A0/8698	PANEL F, CLOTH COATED PU ON NYLON, PATT No.8725C	1	
	7	A0/8698	PANEL G, CLOTH COATED PU ON NYLON, PATT No.8725C	1	

						1	25-07-05	CS 2329
						ISSUE	DATE	MOD No

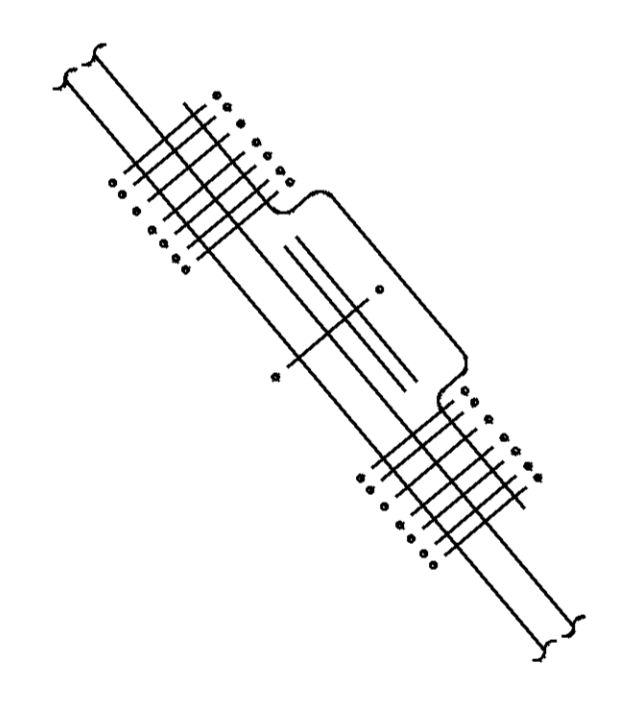
ISSUE	DATE	MOD No	ISSUE	DATE	MOD No	REFERENCE No	A/S 2450
-------	------	--------	-------	------	--------	--------------	----------

APPROVED M.KILBURN	CONTRACTOR			CERTIFIED G.FULLAGAR	APP'D FOR INSPECTION R.LAZENBY		
CHECKED JWR	AO-8676-IL-1			CLASSIFICATION			
DRAWN JWR	DEFENCE CLOTHING IPT (DLO CAVERSFIELD)			CONTRACTORS ITEM LIST REF			
	TITLE RUCKSACK LONG AND SHORT 90 PATTERN, TOP LID ASSEMBLY			ITEM LIST FOR A0/8676			SHEET No 1 OF 3
	NSN *						

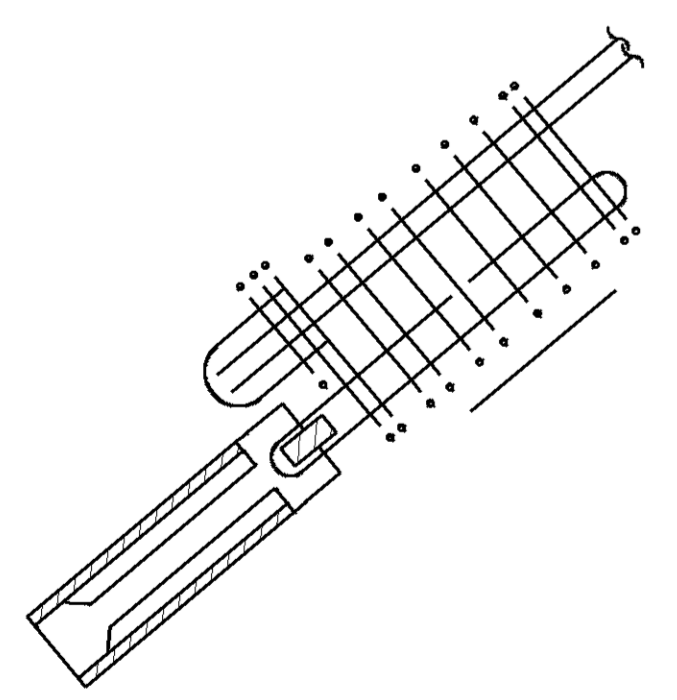
USED ON A0/8673	CLASSIFICATION					CAD DRAWING NOT TO BE CHANGED MANUALLY		
	ITEM	DRG.No.	NAME			No. OFF	REMARKS	
	8	A0/8698	PANEL H, CLOTH COATED PU ON NYLON, PATT No.8725C			1		
	9	A0/8698	PANEL J, CLOTH COATED PU ON NYLON, PATT No.8725C			1		
	10	N.D.	WEBBING, 25mm WIDE, PATT No.9350F			1	CUT LENGTH 260mm	
	11	N.D.	WEBBING, 25mm WIDE, PATT No.9350F			2	CUT LENGTH 130mm	
	12	N.D.	WEBBING, 25mm WIDE, PATT No.9350F			2	CUT LENGTH 90mm	
	13	N.D.	WEBBING, 25mm WIDE, PATT No.9350F			4	CUT LENGTH 80mm	
	14	N.D.	TAPE TEXTILE, 19mm WIDE, PATT No.9447F			AS REQ.		
						1	25-07-05	CS 2329
						ISSUE	DATE	MOD No
	ISSUE	DATE	MOD No	ISSUE	DATE	MOD No	REFERENCE No	A/S 2450
	APPROVED M.KILBURN	CONTRACTOR				CERTIFIED G.FULLAGAR		APP'D FOR INSPECTION R.LAZENBY
	CHECKED JWR	AO-8676-IL-2 DEFENCE CLOTHING IPT (DLO CAVERSFIELD)				CLASSIFICATION		
	DRAWN JWR	TITLE RUCKSACK LONG AND SHORT 90 PATTERN, TOP LID ASSEMBLY				CONTRACTORS ITEM LIST REF		
		NSN *				ITEM LIST FOR A0/8676		SHEET No 2 OF 3



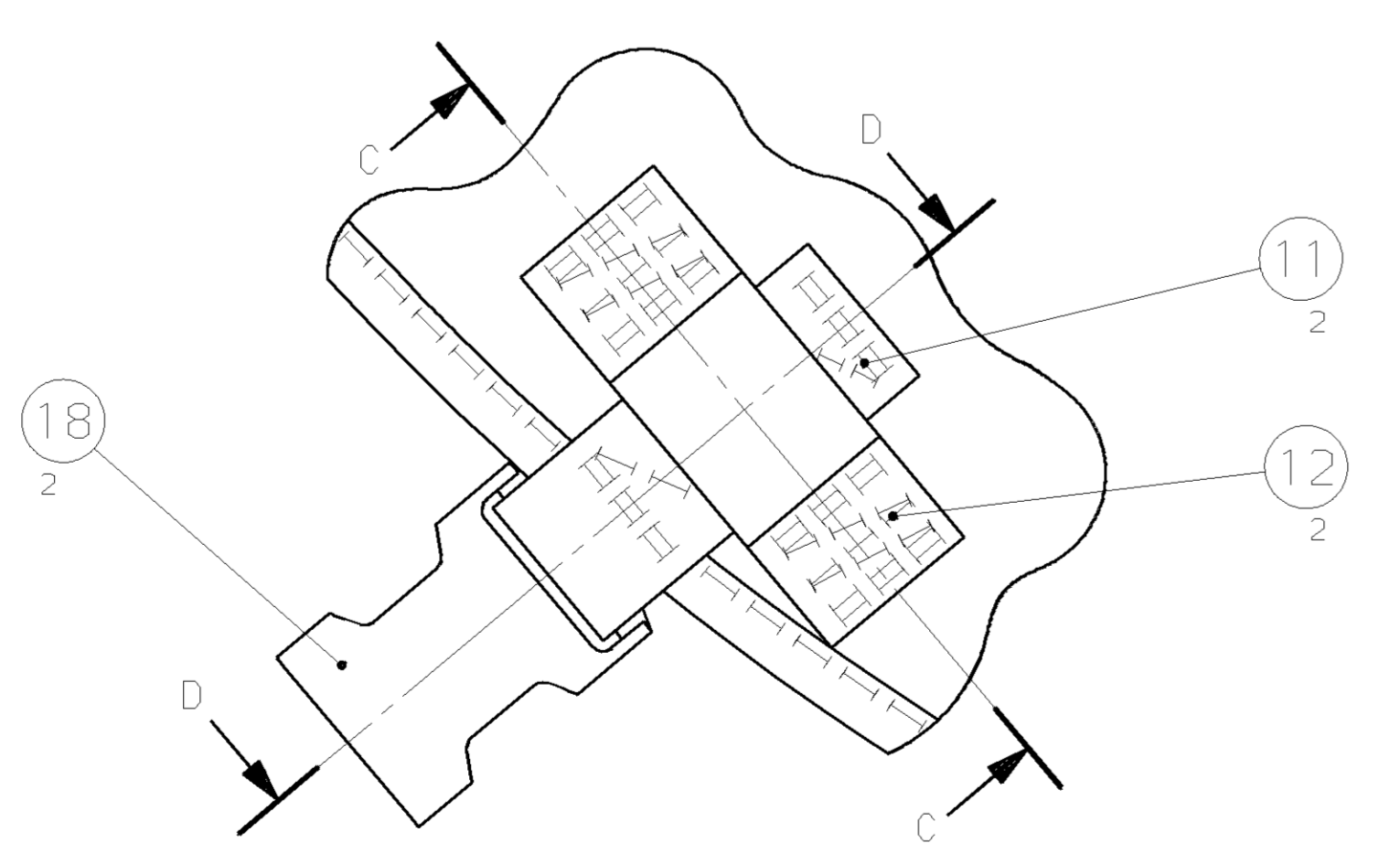
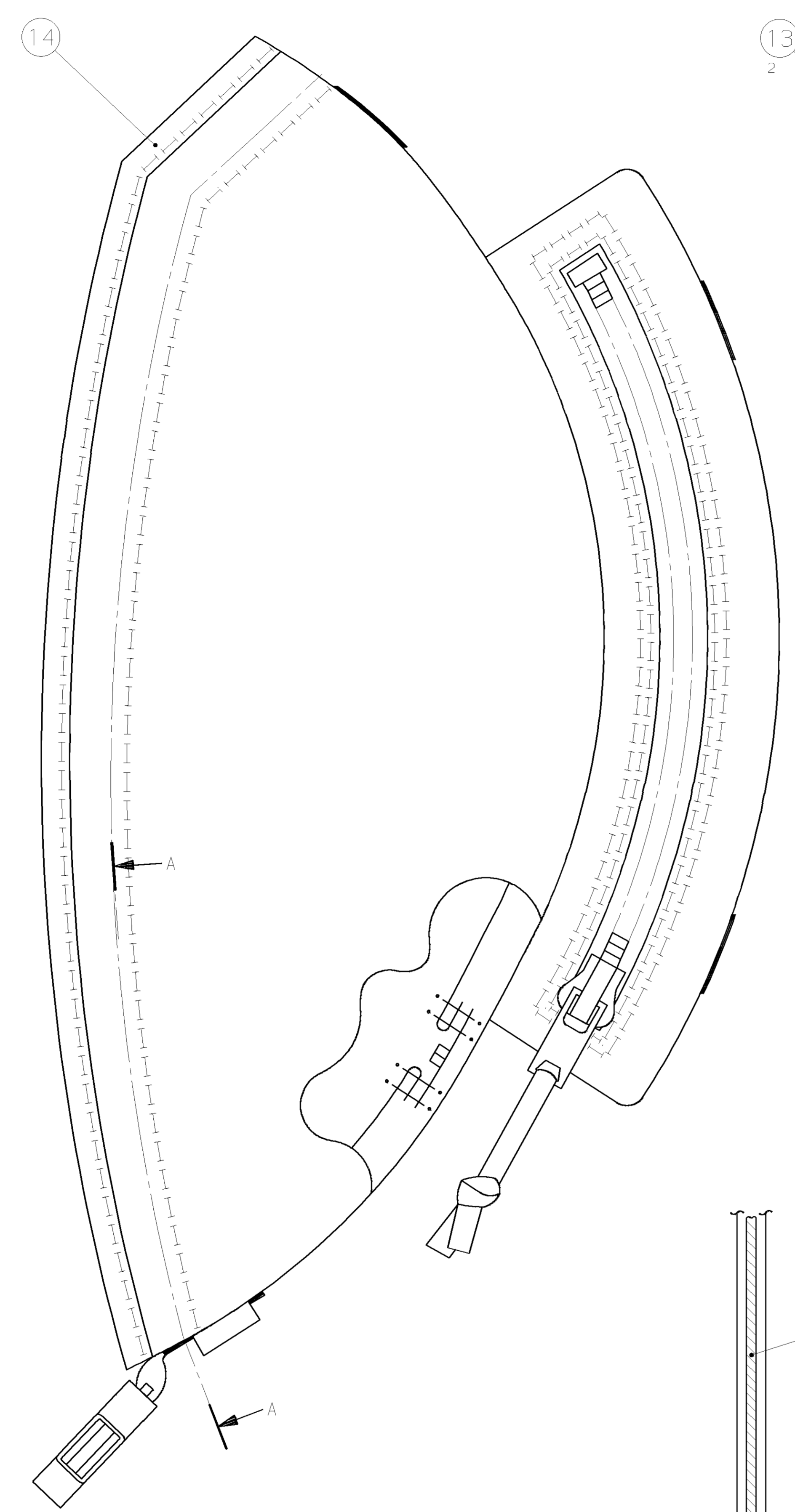
PART VIEW SHOWING DETAILS OF SLIDE FASTENER AND STITCHING



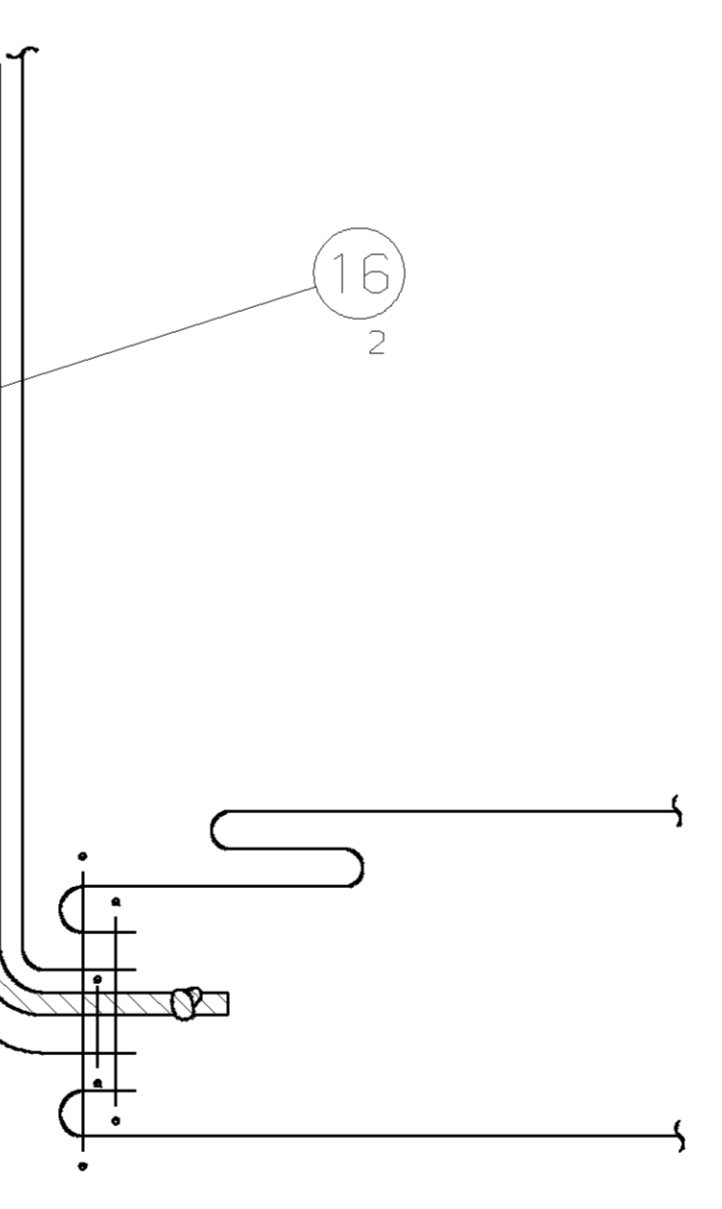
LINE SECTION C-C



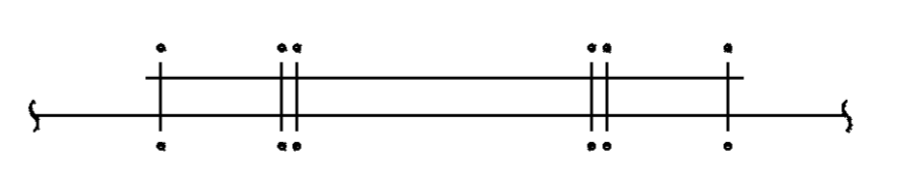
LINE SECTION D-D



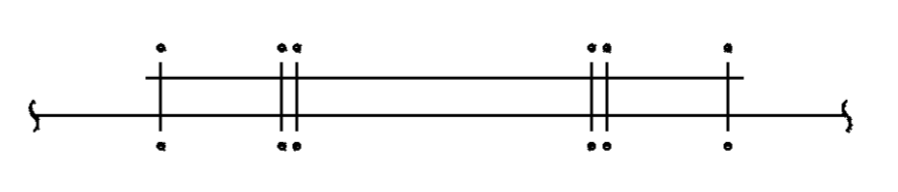
PART VIEW SHOWING STITCHING DETAIL



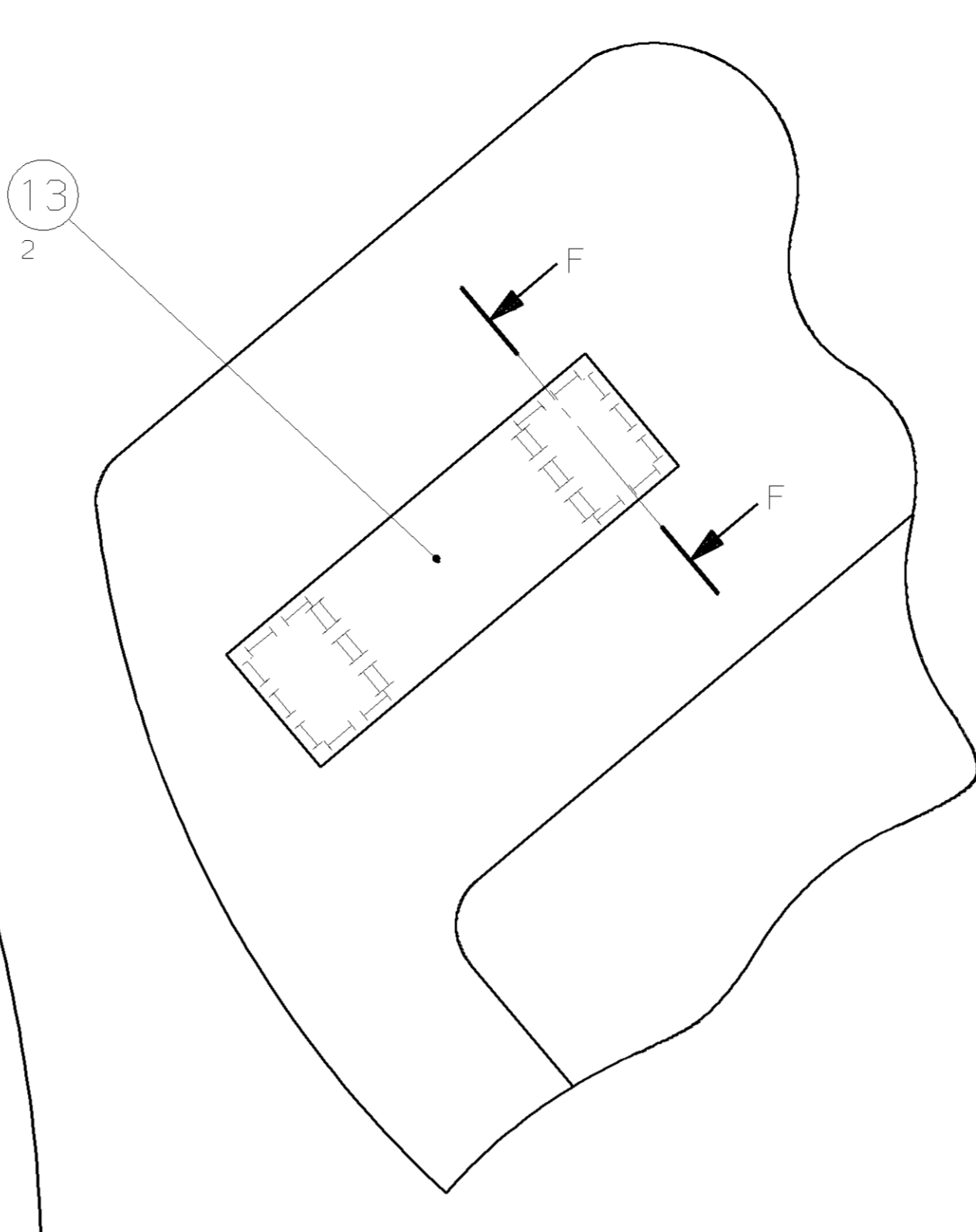
LINE SECTION A-A



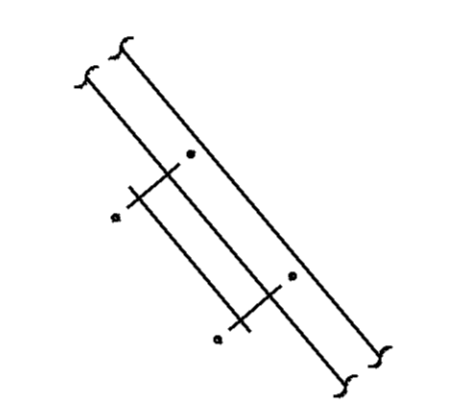
LINE SECTION E-E



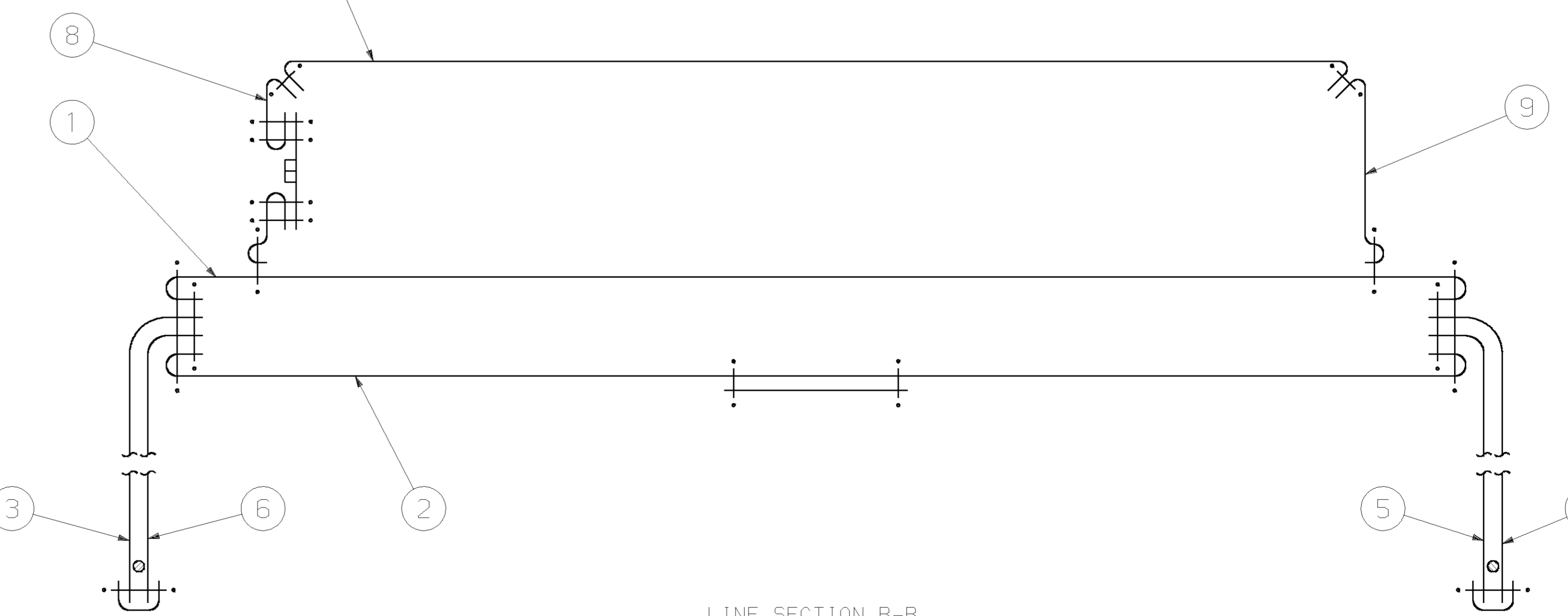
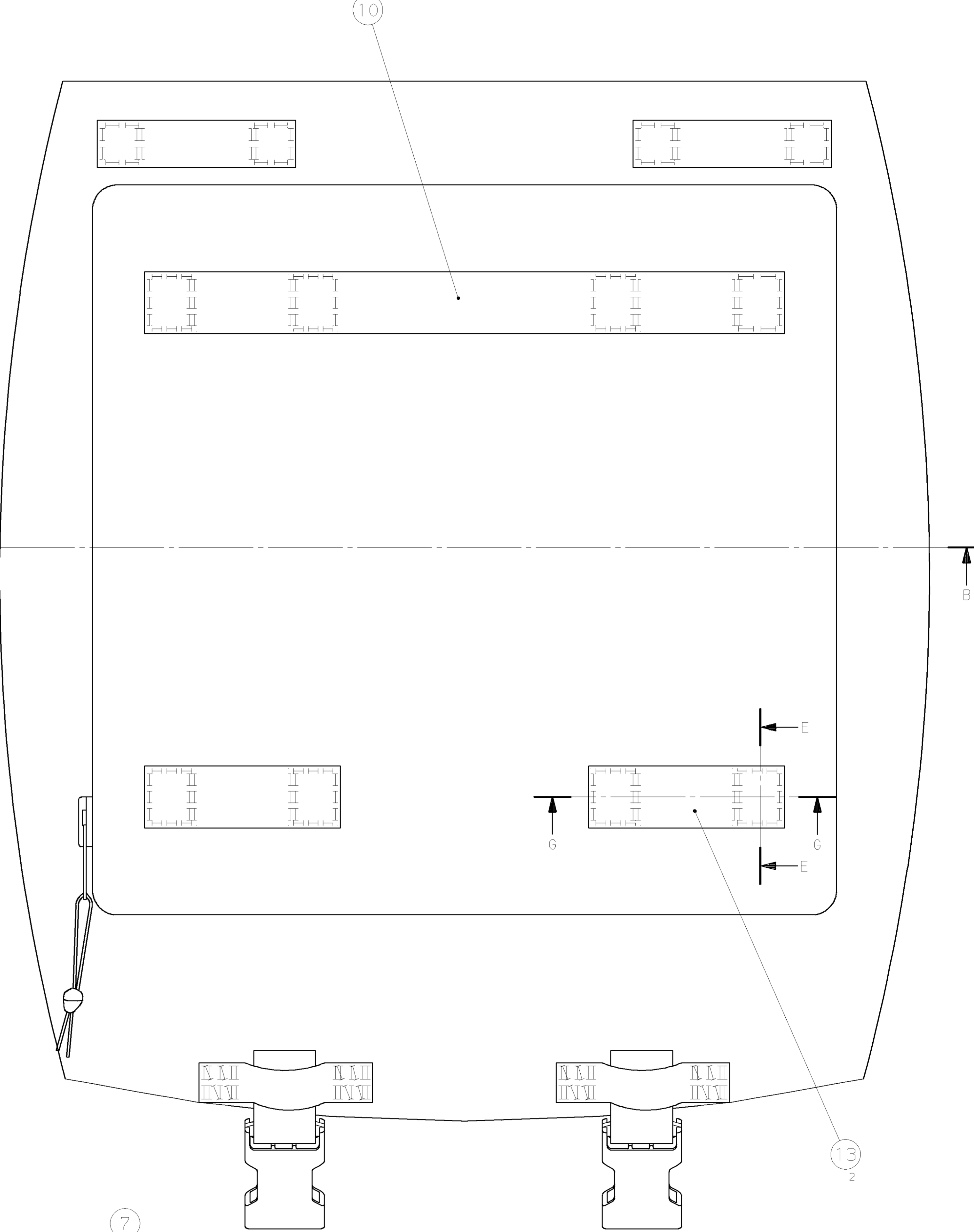
LINE SECTION G-G



PART VIEW SHOWING STITCHING DETAIL



LINE SECTION F-F



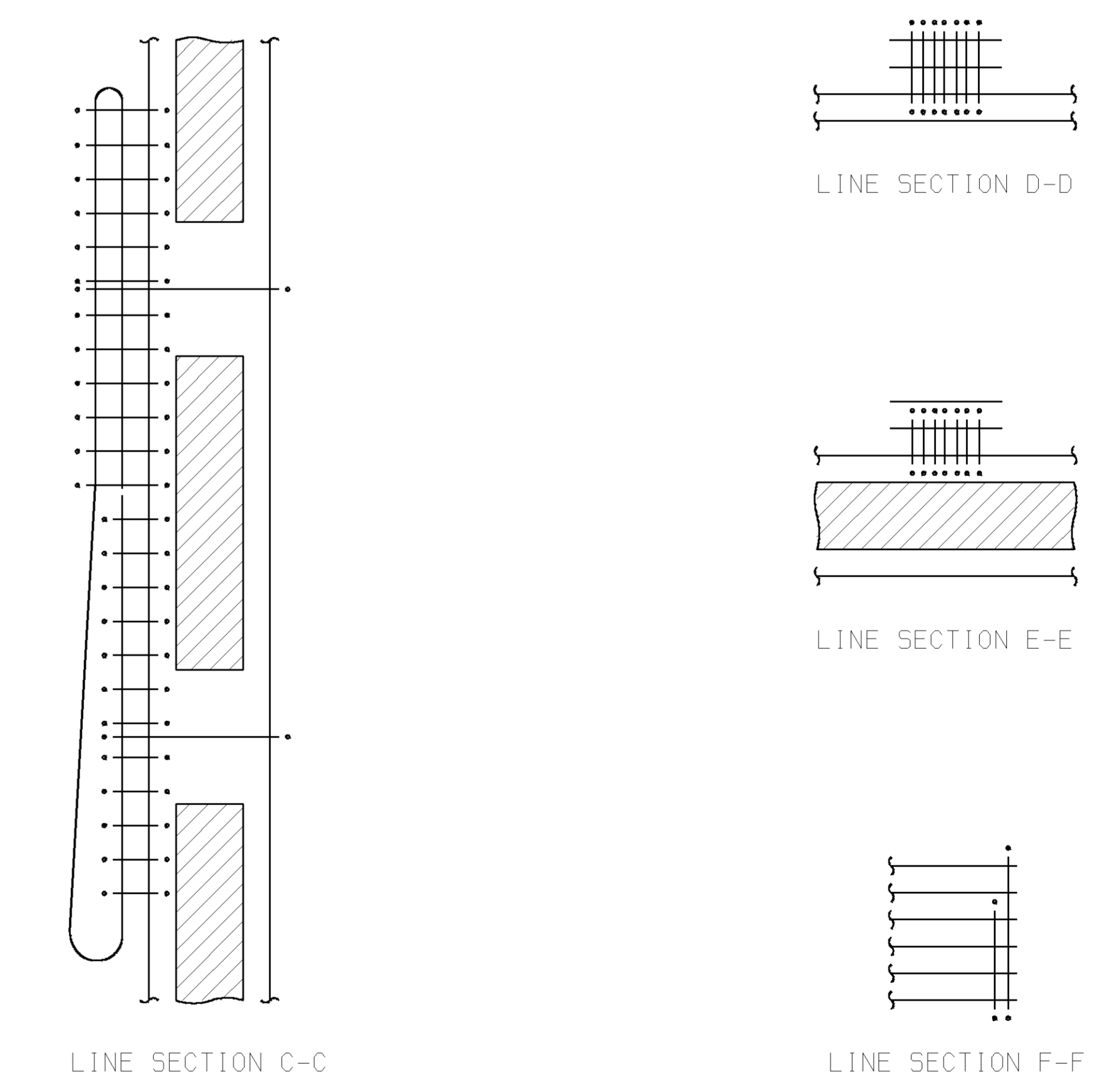
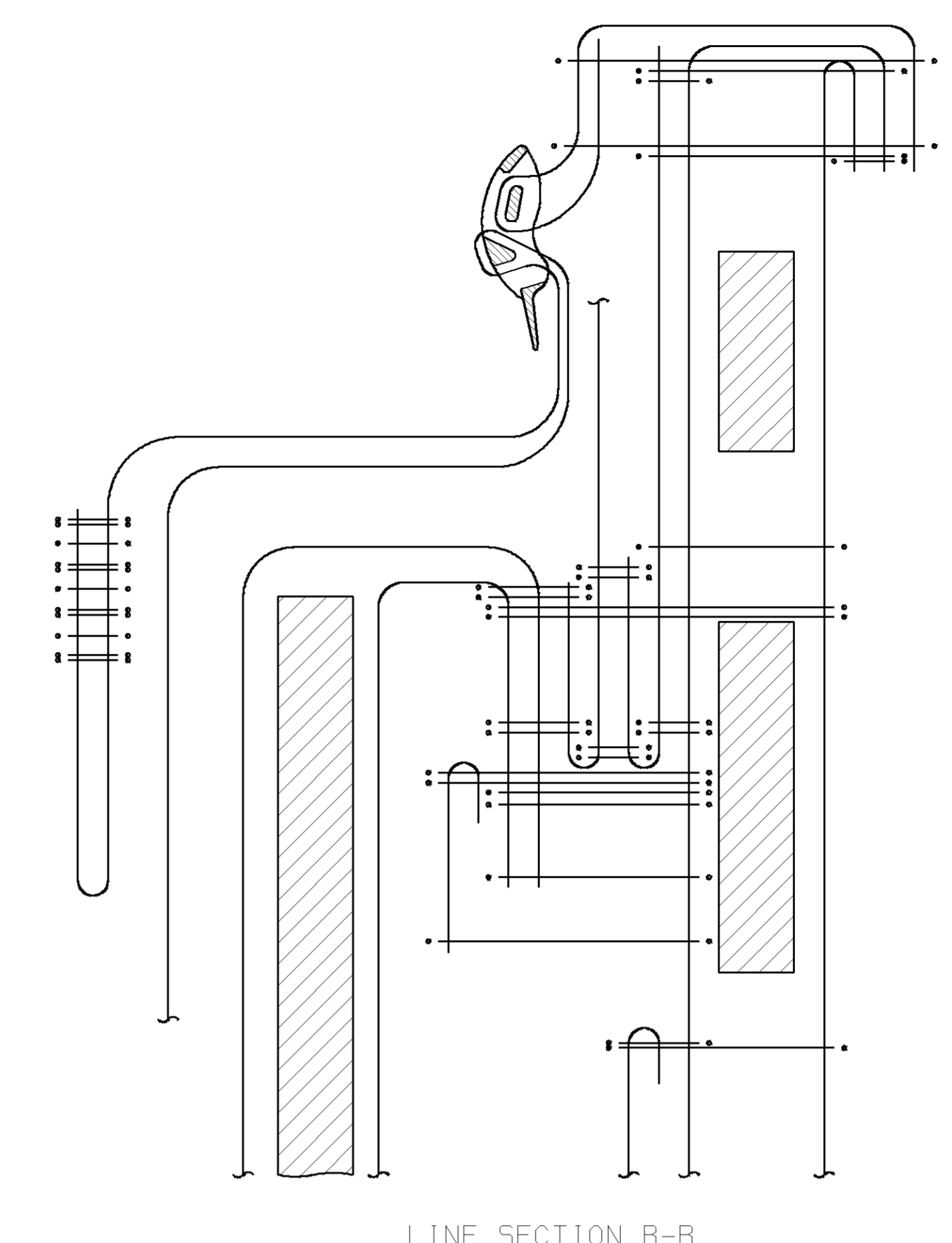
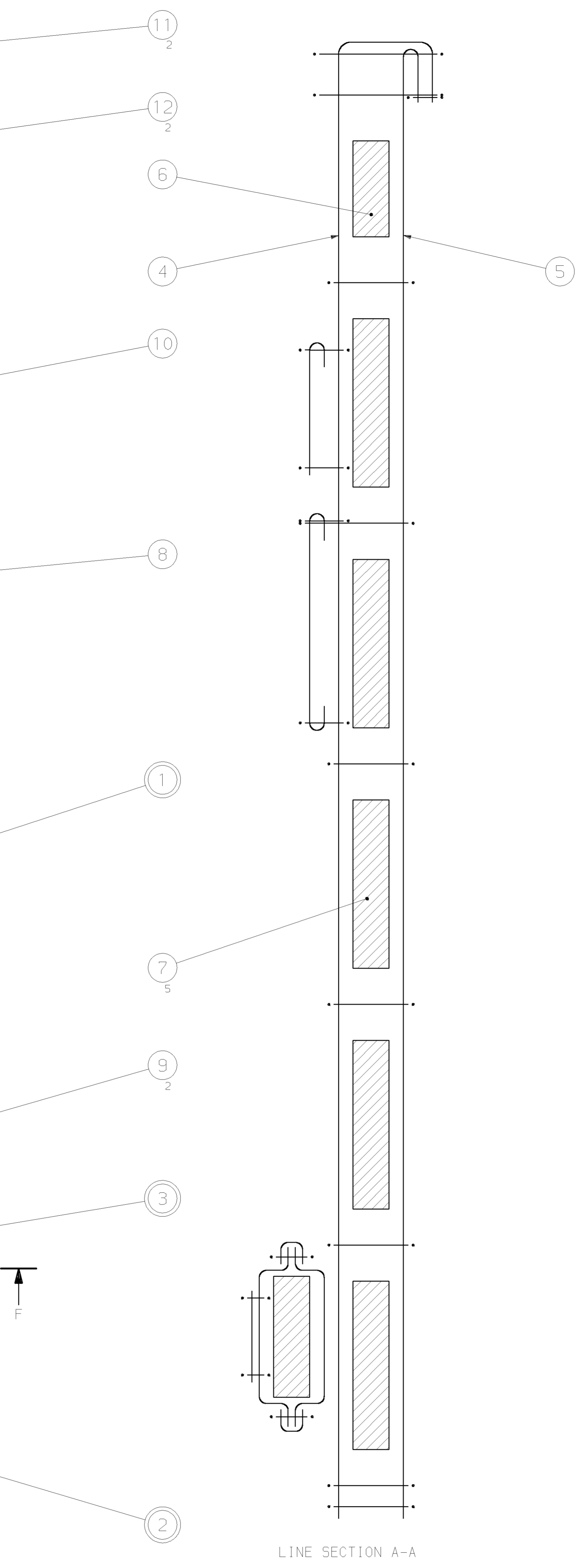
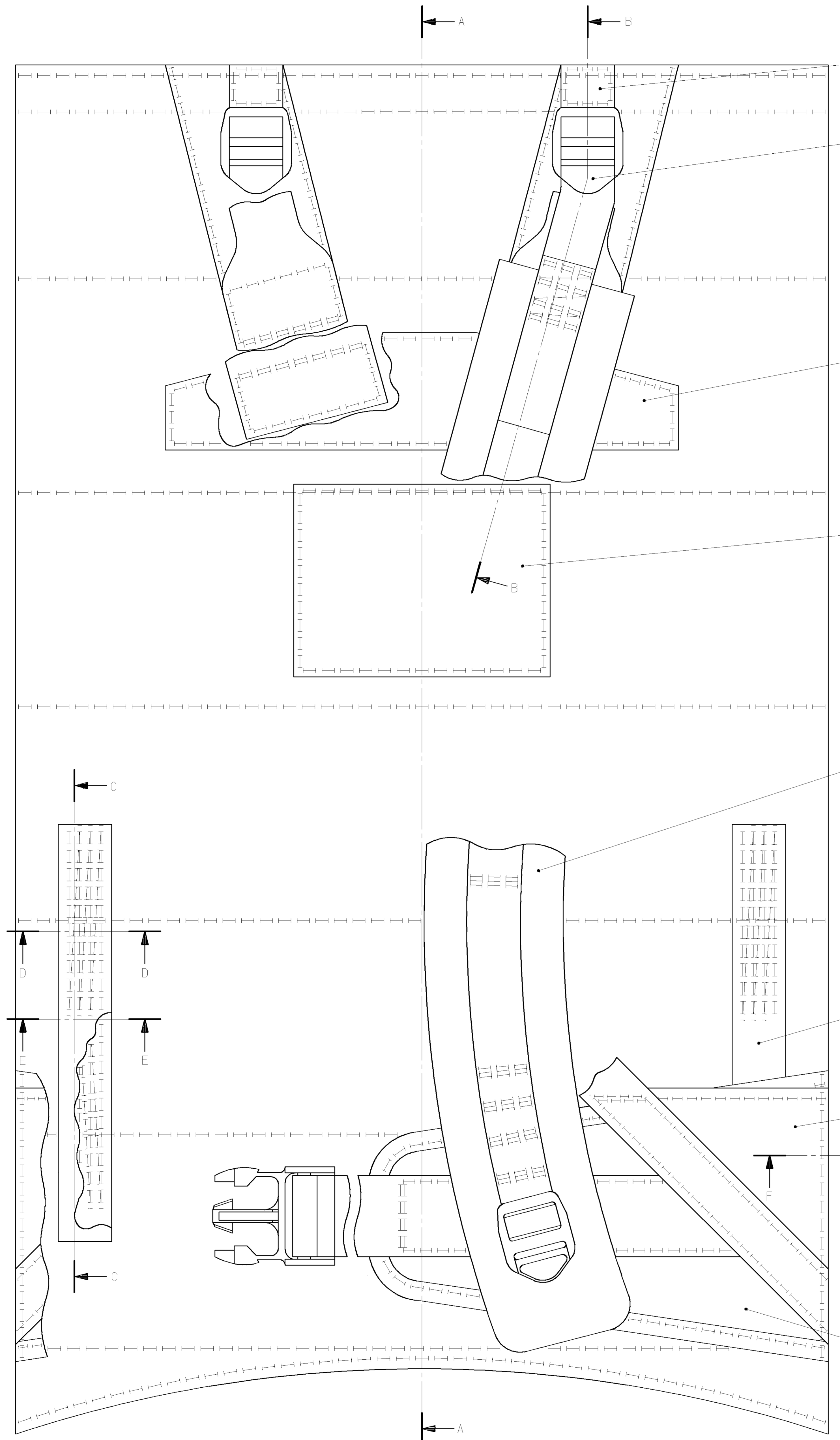
LINE SECTION B-B

STITCHING SHOWN THUS OR

REDRAWN AT ISSUE 4

APPROVED M.KILBURN										CERTIFIED G.FULLAGAR	MATERIAL SEE SPECIFICATION UK/SC/5168	TOLERANCES NONE UNLESS OTHERWISE STATED	DIMENSIONS IN MILLIMETRES	CONTRACTOR DEFENCE CLOTHING IPT (DLO CAVERSFIELD)	CLASSIFICATION
CHECKED JWR										APPROVED FOR INSPECTION R.LAZENBY	FINISH SEE SPECIFICATION UK/SC/5168	REFERENCE No A/S 2450	ORIGINAL SCALE 1:1	A0-8676	CONTRACTORS DRAWING NO.
DRAWN JWR	4	25-07-05	CS 2329											TITLE RUCKSACK LONG AND SHORT 90 PATTERN, TOP LID ASSEMBLY	DRAWING NO. A0/8676
ISSUE	DATE	MOD NO.	ISSUE	DATE	MOD NO.	ISSUE	DATE	MOD NO.						NSN *	SHEET No 1 OF 1

USED ON		CLASSIFICATION				CAD DRAWING NOT TO BE CHANGED MANUALLY			
A1/8674	ITEM	DRG.No.	NAME			No. OFF	REMARKS		
	1	A0/8685	RUCKSACK LONG AND SHORT 90 PATTERN, SHOULDER STRAP ASSEMBLY			1	ITEM LIST		
	2	A0/8686	RUCKSACK LONG AND SHORT 90 PATTERN, BELT ASSEMBLY AND PANELS A TO C			1	ITEM LIST		
	3	A1/8687	RUCKSACK LONG AND SHORT 90 PATTERN, STRAP TAB ASSEMBLY AND PANELS			1	ITEM LIST		
	4	A0/8688	PANEL A, CLOTH COATED PU ON NYLON, PATT No.8725C			1			
	5	A0/8688	PANEL B, CLOTH COATED PU ON NYLON, PATT No.8725C			1			
	6	A0/8688	PANEL C, EXPANDED POLYETHYLENE SHEET, 15mm THICK			1			
	7	A0/8688	PANEL D, EXPANDED POLYETHYLENE SHEET, 15mm THICK			5			
							REDRAWN AT ISSUE 5		
							5	25-07-05	CS 2329
							ISSUE	DATE	MOD No
	ISSUE	DATE	MOD No	ISSUE	DATE	MOD No	REFERENCE No	A/S 2450	
	APPROVED	CONTRACTOR				CERTIFIED		APP'D FOR INSPECTION	
	M.KILBURN					G.FULLAGAR		R.LAZENBY	
CHECKED	AO-8684-IL-1				CLASSIFICATION				
JWR	DEFENCE CLOTHING IPT (DLO CAVERSFIELD)				CONTRACTORS ITEM LIST REF				
DRAWN	TITLE				ITEM LIST FOR			SHEET No 1 OF 2	
JWR	RUCKSACK LONG 90 PATTERN, BACK OUTER ASSEMBLY				A0/8684				
		NSN *							



STITCHING SHOWN THUS OR

© CROWN COPYRIGHT

APPROVED M.KILBURN										CERTIFIED G.FULLAGAR		MATERIAL SEE SPECIFICATION UK/SC/5168		TOLERANCES NONE UNLESS OTHERWISE STATED		DIMENSIONS IN MILLIMETRES		CONTRACTOR DEFENCE CLOTHING IPT (DLO CAVERSFIELD)		CLASSIFICATION			
CHECKED JWR										APPROVED FOR INSPECTION R.LAZENBY		FINISH SEE SPECIFICATION UK/SC/5168		REFERENCE No A/S 2450		ORIGINAL SCALE 1:1		TITLE RUCKSACK LONG 90 PATTERN, BACK OUTER ASSEMBLY		DRAWING NO. A0/8684		SHEET No 1 OF 1	
DRAWN JWR										ISSUE		DATE		MOD NO.		ISSUE		DATE		MOD NO.		REDRAWN AT ISSUE 5	

USED ON
A0/8684
A0/8700

CLASSIFICATION

CAD DRAWING NOT TO BE CHANGED MANUALLY

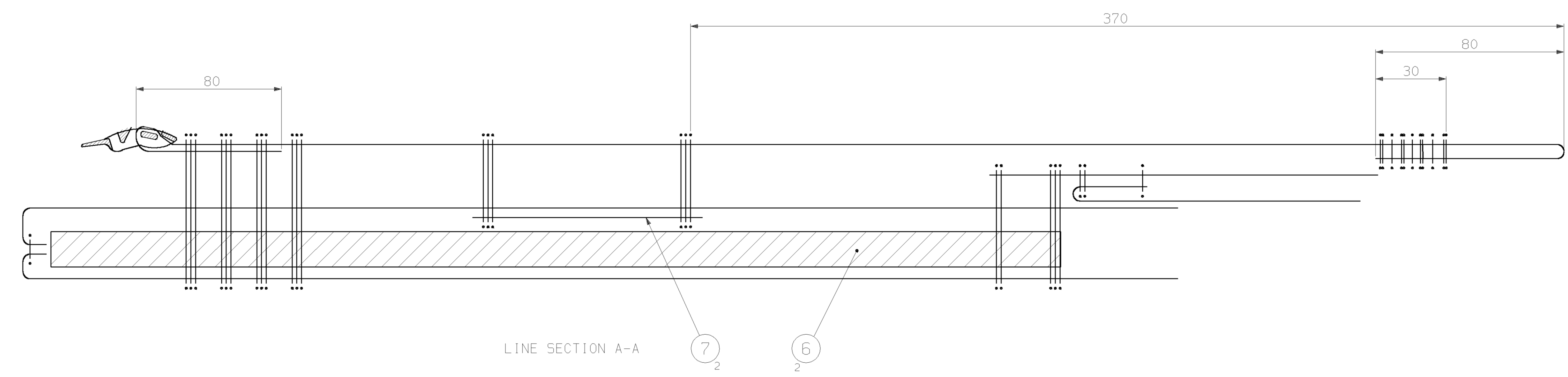
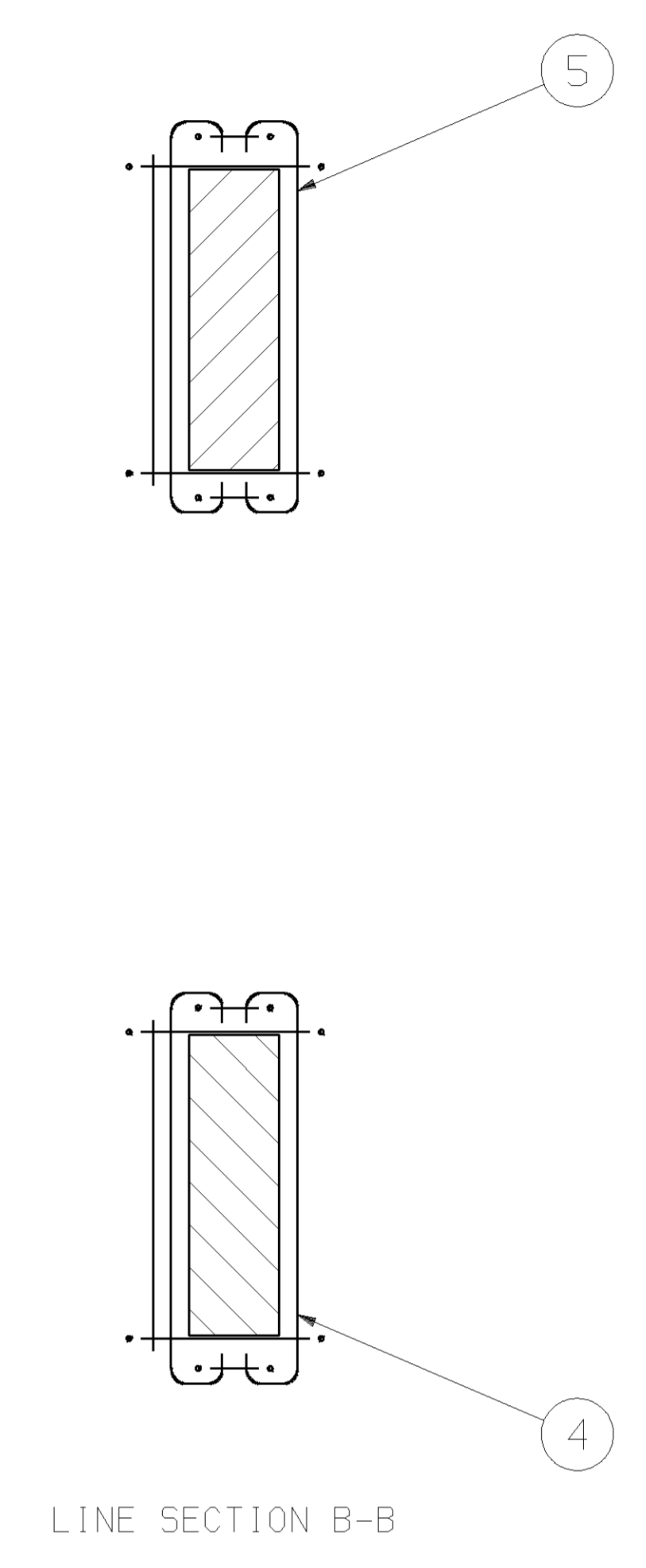
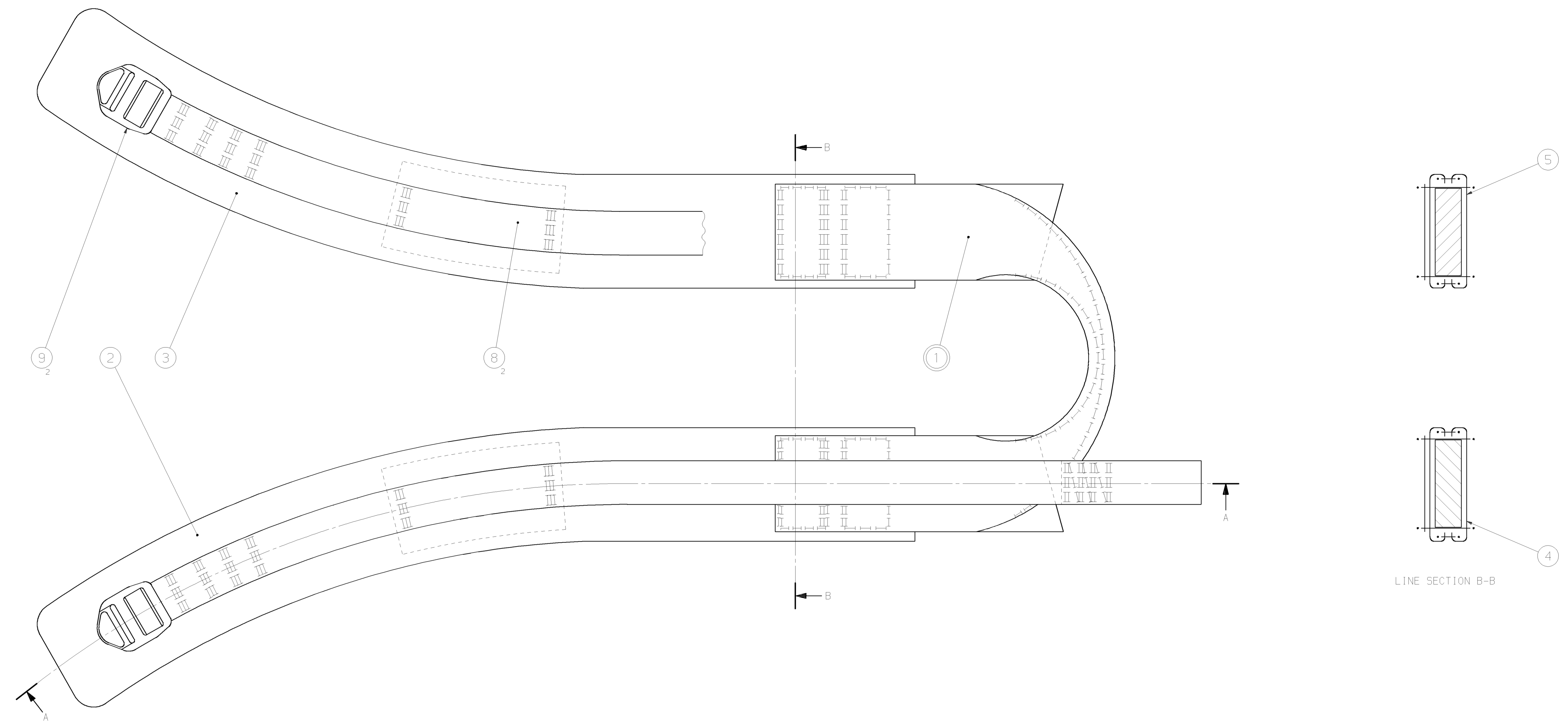
ITEM	DRG.No.	NAME	No. OFF	REMARKS
1	A1/8708	RUCKSACK LONG AND SHORT 90 PATTERN, HANDLE ASSEMBLY AND PANELS	1	ITEM LIST
2	A0/8689	PANEL A, CLOTH COATED PU ON NYLON, PATT No.8725C	1	
3	A0/8689	PANEL B, CLOTH COATED PU ON NYLON, PATT No.8725C	1	
4	A0/8689	PANEL C, CLOTH COATED PU ON NYLON, PATT No.8145F	1	
5	A0/8689	PANEL D, CLOTH COATED PU ON NYLON, PATT No.8145F	1	
6	A0/8689	PANEL E, EXPANDED POLYETHYLENE SHEET, 15mm THICK	2	
7	A0/8689	PANEL F, CLOTH COATED PU ON NYLON, PATT No.8725C	2	

ISSUE	DATE	MOD No	ISSUE	DATE	MOD No	REFERENCE No	A/S
						1	25-07-05
							CS 2329
						ISSUE	DATE
							MOD No
							A/S 2450

APPROVED M.KILBURN	CONTRACTOR	CERTIFIED G.FULLAGAR	APP'D FOR INSPECTION R.LAZENBY
CHECKED JWR	AO-8685-IL-1 DEFENCE CLOTHING IPT (DLO CAVERSFIELD)	CLASSIFICATION	
DRAWN JWR	TITLE RUCKSACK LONG AND SHORT 90 PATTERN, SHOULDER STRAP ASSEMBLY	CONTRACTORS ITEM LIST REF	
	NSN *	ITEM LIST FOR A0/8685	SHEET No 1 OF 2

USED ON
A0/8684
A0/8700

STITCHING SHOWN THUS  OR 

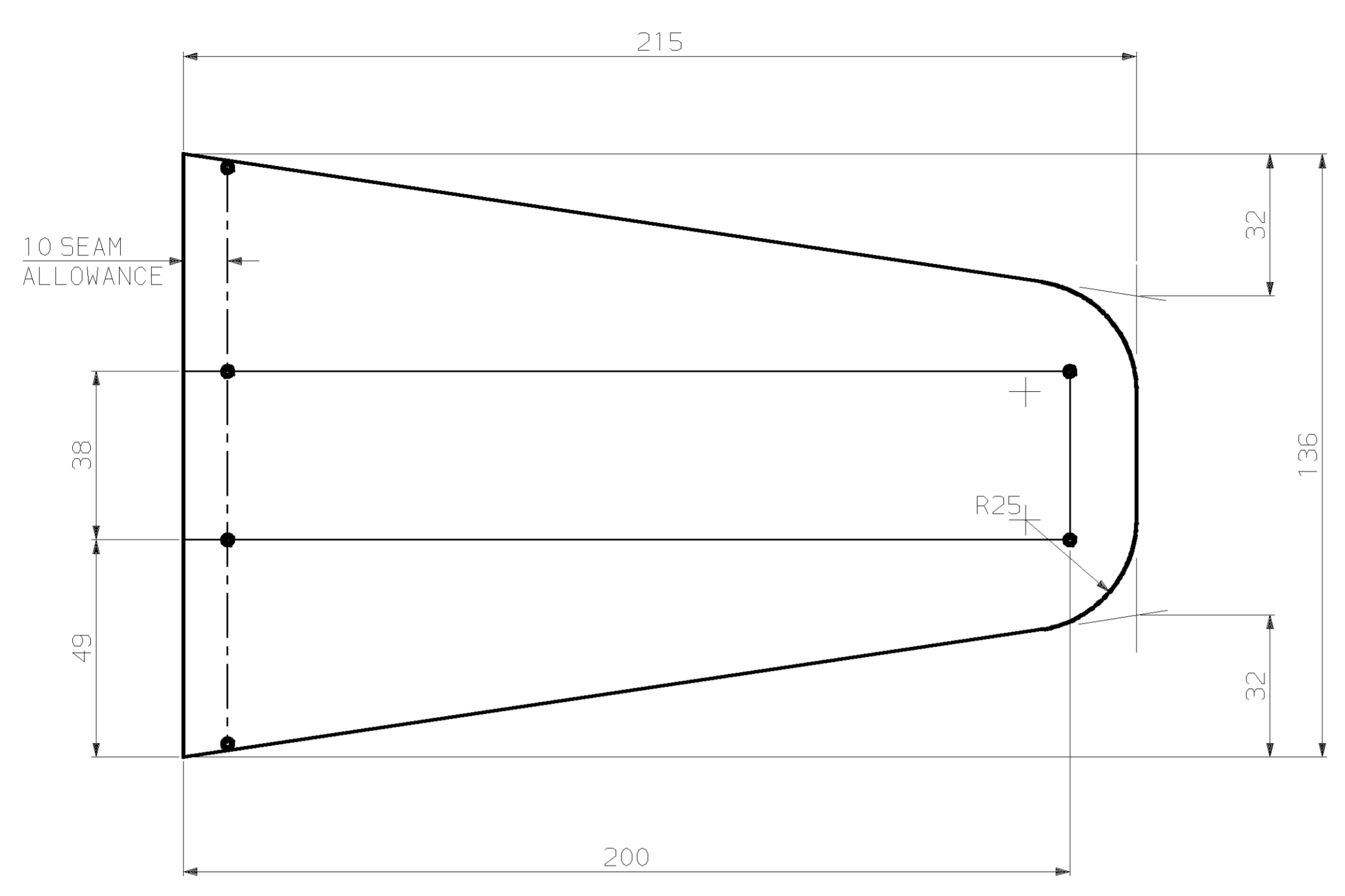


© CROWN COPYRIGHT

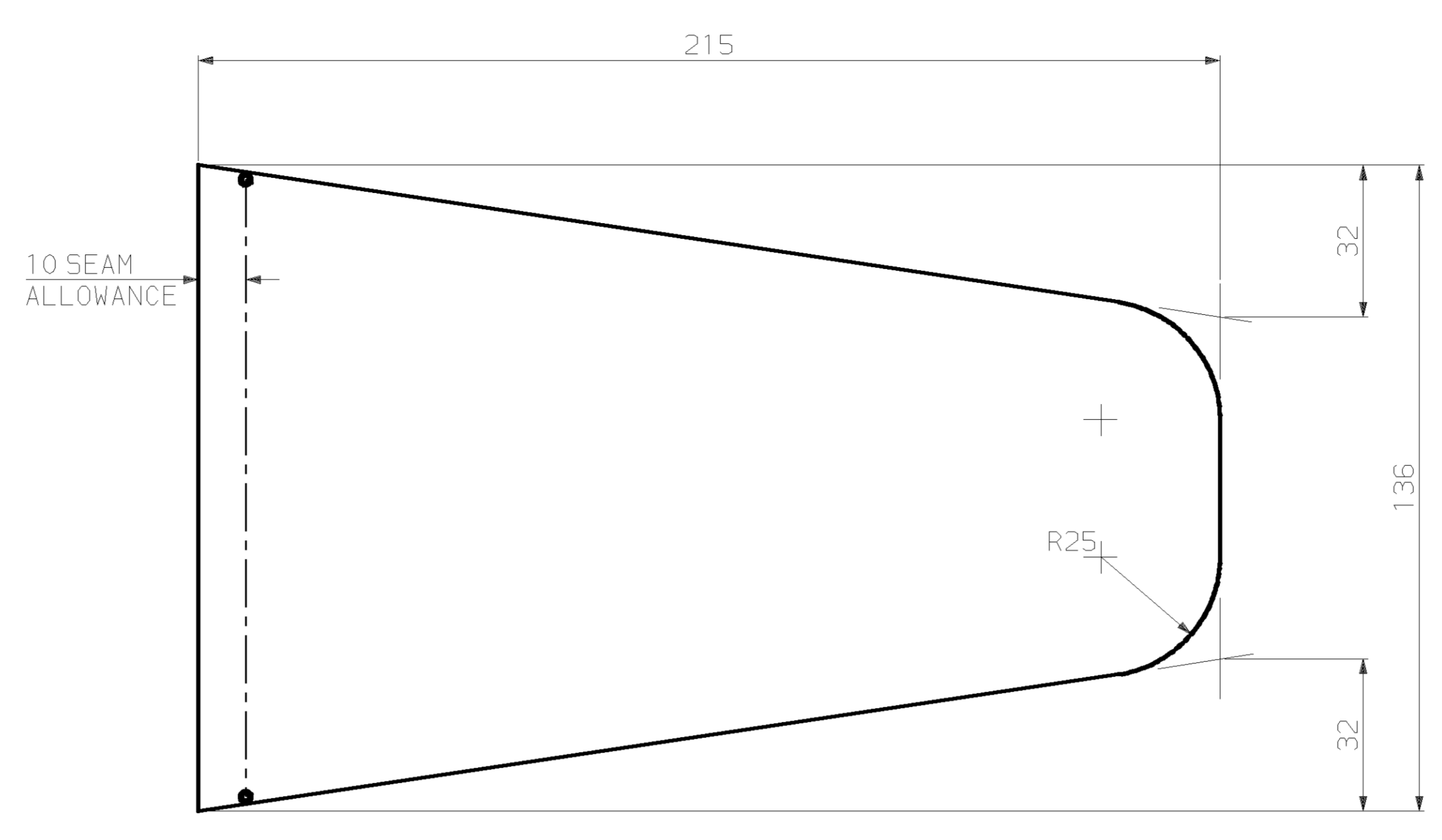
APPROVED M. KILBURN										CERTIFIED G. FULLAGAR		MATERIAL SEE SPECIFICATION UK/SC/5168		TOLERANCES NONE UNLESS OTHERWISE STATED		DIMENSIONS IN MILLIMETRES		CONTRACTOR DEFENCE CLOTHING IPT (DLO CAVERSFIELD)		CLASSIFICATION			
CHECKED JWR										APPROVED FOR INSPECTION R. LAZENBY		FINISH SEE SPECIFICATION UK/SC/5168		REFERENCE No A/S 2450		ORIGINAL SCALE 1:1		TITLE RUCKSACK LONG AND SHORT 90 PATTERN, SHOULDER STRAP ASSEMBLY		DRAWING NO. A0/8685		SHEET No 1 OF 1	
DRAWN JWR										ISSUE		DATE		MOD NO.		ISSUE		DATE		MOD NO.		NSN *	

USED ON A0/8684 A0/8700	CLASSIFICATION					CAD DRAWING NOT TO BE CHANGED MANUALLY		
	ITEM	DRG.No.	NAME			No. OFF	REMARKS	
	1	A0/8686	PANEL A, CLOTH COATED PU ON NYLON, PATT No.8725C			2		
	2	A0/8686	PANEL B, CLOTH COATED PU ON NYLON, PATT No.8725C			2		
	3	A0/8686	PANEL C, EXPANDED POLYETHYLENE SHEET, 15mm THICK			2		
	4	N.D.	WEBBING, 38mm WIDE, PATT No.9350F			1	CUT LENGTH 625mm	
	5	N.D.	WEBBING, 38mm WIDE, PATT No.9350F			1	CUT LENGTH 400mm	
	6	N.D.	TAPE TEXTILE, 19mm WIDE, PATT No.9447F			2	CUT LENGTH 490mm	
	7	N.D.	BUCKLE SR40, MALE			1		
	8	N.D.	BUCKLE SR40, FEMALE			1		
						1	25-07-05	CS 2329
						ISSUE	DATE	MOD No
	ISSUE	DATE	MOD No	ISSUE	DATE	MOD No	REFERENCE No	A/S 2450
	APPROVED M.KILBURN	CONTRACTOR				CERTIFIED G.FULLAGAR		APP'D FOR INSPECTION R.LAZENBY
	CHECKED JWR	AO-8686-IL-1 DEFENCE CLOTHING IPT (DLO CAVERSFIELD)				CLASSIFICATION		
	DRAWN JWR	TITLE RUCKSACK LONG AND SHORT 90 PATTERN, BELT ASSEMBLY AND PANELS A TO C NSN *				CONTRACTORS ITEM LIST REF		
					ITEM LIST FOR A0/8686		SHEET No 1 OF 1	

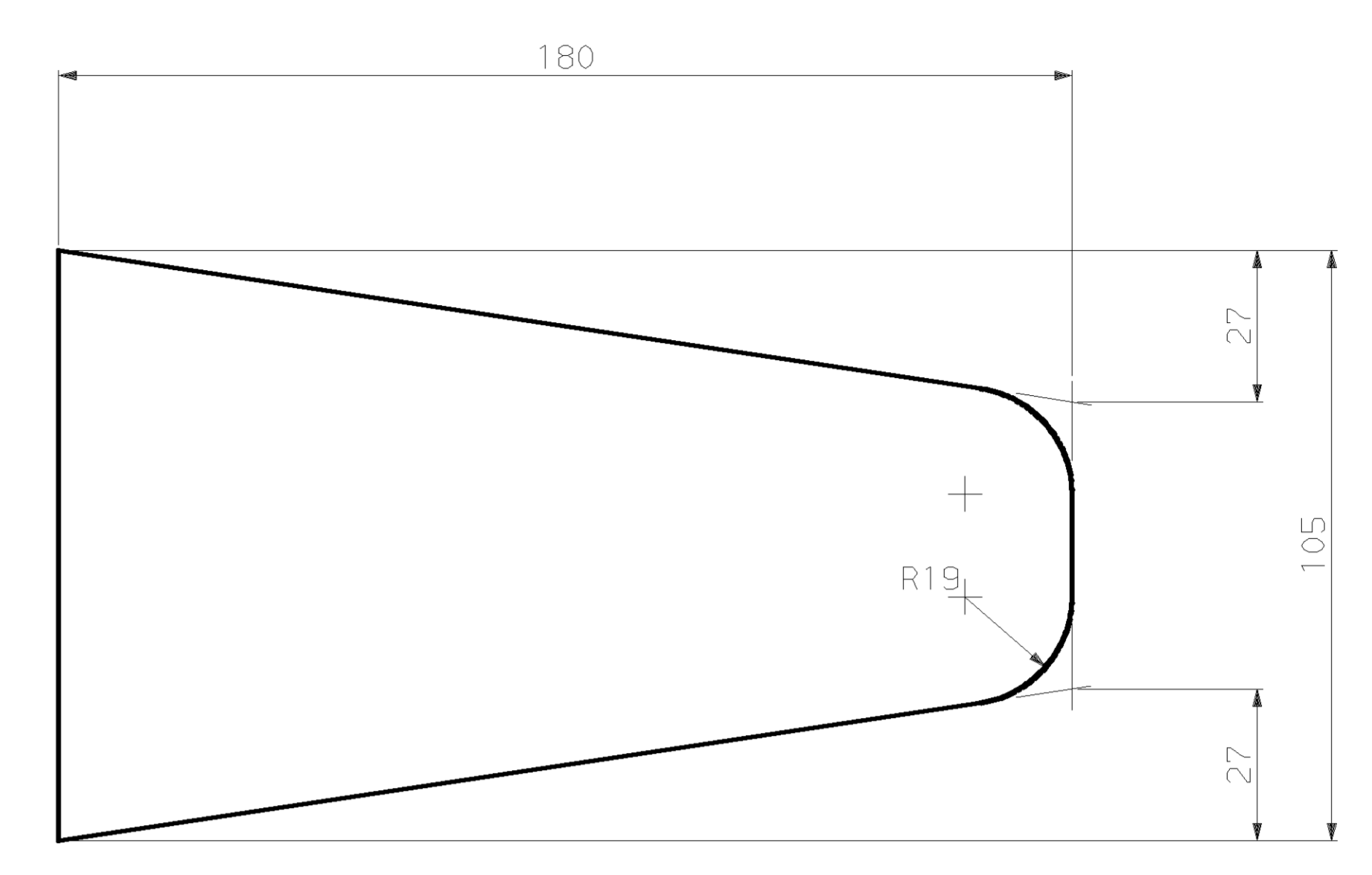
CUTTING LINE: ———
 SEAM LINE: - - - - -
 FOLD LINE: - · - · -
 LOCATION FOR PARTS: ● OR ◆



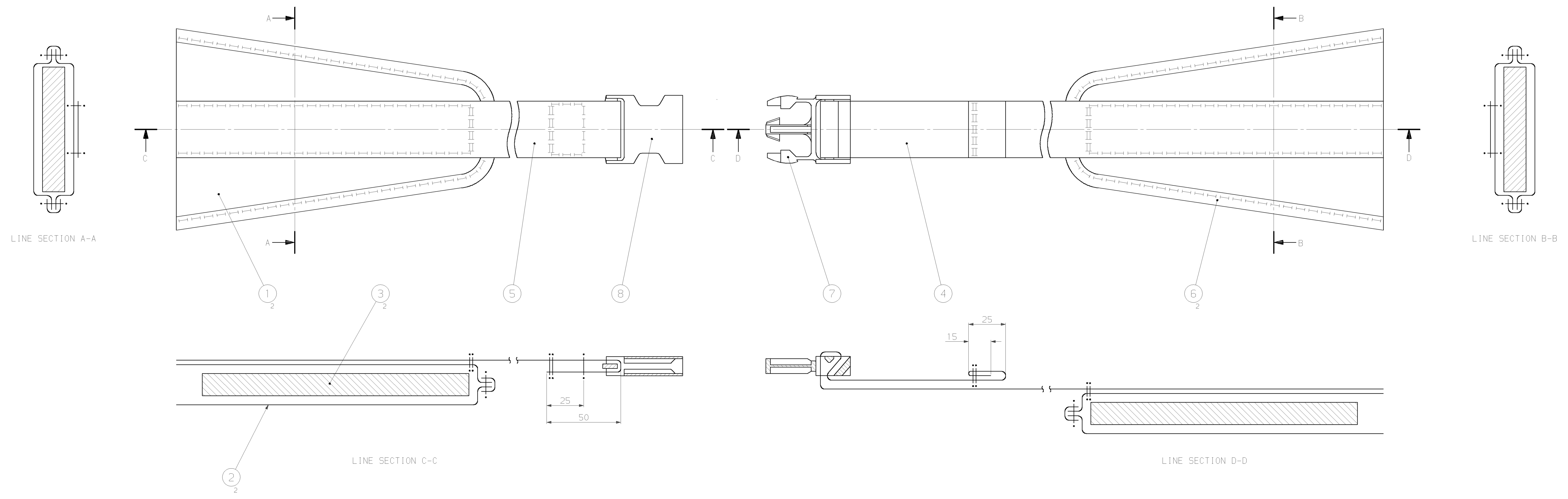
PANEL A - BELT OUTER



PANEL B - BELT INNER



PANEL C - BELT PADDING



STITCHING SHOWN THUS - - - - - OR |||

REDRAWN AT ISSUE 6										CERTIFIED		MATERIAL		TOLERANCES		DIMENSIONS IN		CONTRACTOR		CLASSIFICATION	
APPROVED M.KILBURN										G.FULLAGAR		SEE SPECIFICATION UK/SC/5168		NONE		MILLIMETRES		AO-8686		CONTRACTORS DRAWING NO.	
CHECKED JWR										APPROVED FOR INSPECTION		FINISH		UNLESS OTHERWISE STATED		ORIGINAL SCALE		TITLE		DRAWING NO.	
DRAWN JWR										R.LAZENBY		SEE SPECIFICATION UK/SC/5168		REFERENCE No		1:1		RUCKSACK LONG AND SHORT 90 PATTERN, BELT ASSEMBLY AND PANELS A TO C		A0/8686	
ISSUE 6												A/S 2450				NSN *		SHEET No 1 OF 1			
ISSUE	DATE	MOD NO.	ISSUE	DATE	MOD NO.	ISSUE	DATE	MOD NO.	ISSUE	DATE	MOD NO.										

USED ON

CLASSIFICATION

CAD DRAWING NOT TO BE CHANGED MANUALLY

A1/8674

ITEM	DRG.No.	NAME	No. OFF	REMARKS
1	A0/8691	PANEL A, CLOTH COATED PU ON NYLON, PATT No.8725C	1	
2	A0/8691	PANEL B, CLOTH COATED PU ON NYLON, PATT No.8725C	3	
3	N.D.	TOUCH & CLOSE, LOOP, 20mm WIDE	1	CUT LENGTH 380mm
4	N.D.	FASTENER, PULL THE DOT, STUD AND EYELET	3	

1 25-07-05 CS 2329

ISSUE DATE MOD No

ISSUE DATE MOD No ISSUE DATE MOD No REFERENCE No A/S 2450

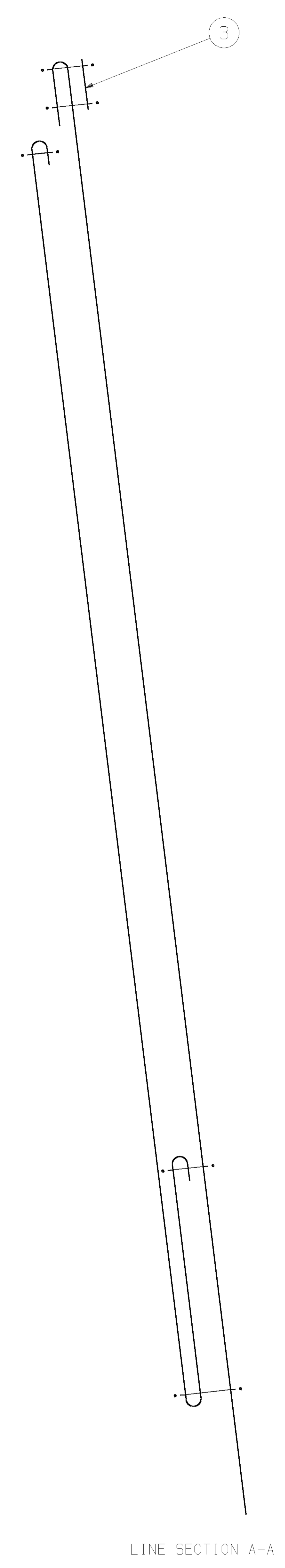
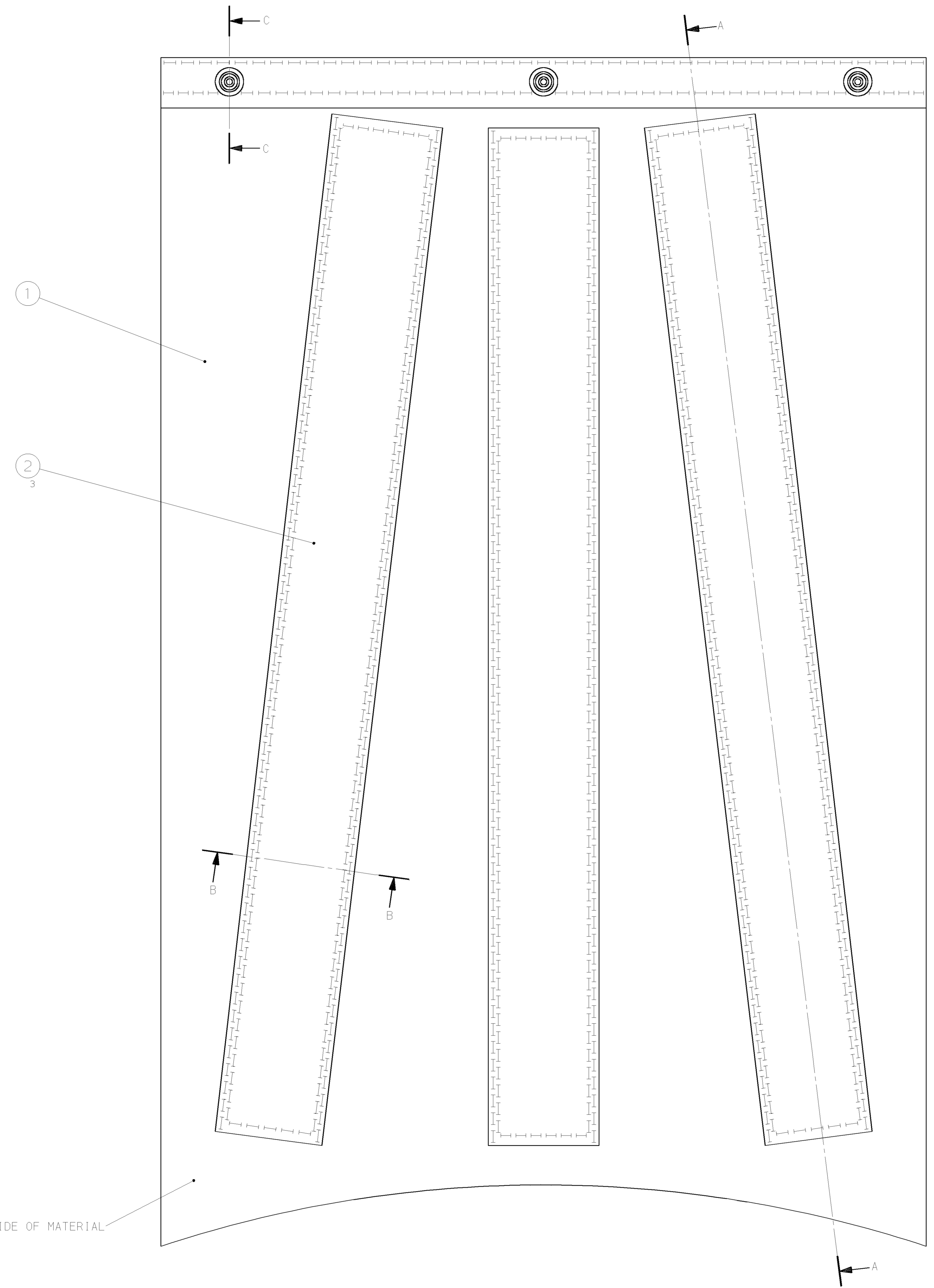
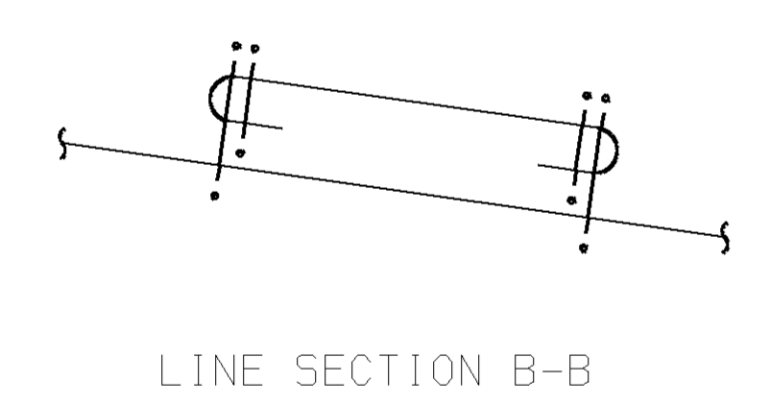
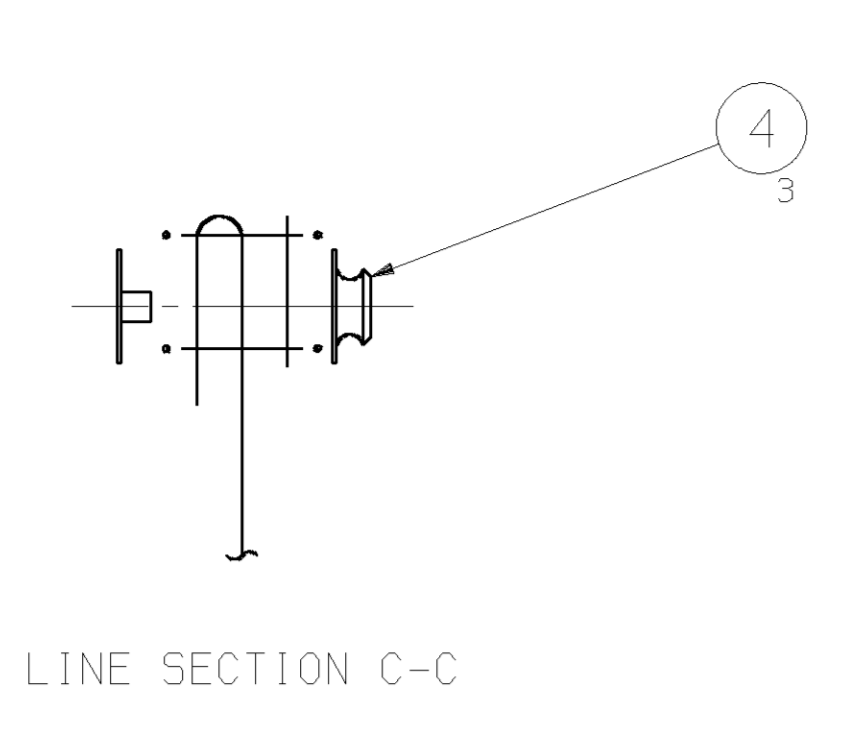
APPROVED M.KILBURN CONTRACTOR CERTIFIED G.FULLAGAR APP'D FOR INSPECTION R.LAZENBY

CHECKED JWR AO-8690-IL-1 CLASSIFICATION

DEFENCE CLOTHING IPT (DLO CAVERSFIELD) CONTRACTORS ITEM LIST REF

DRAWN JWR RUCKSACK LONG 90 PATTERN BACK INNER ASSEMBLY

NSN * ITEM LIST FOR A0/8690 SHEET No 1 OF 1



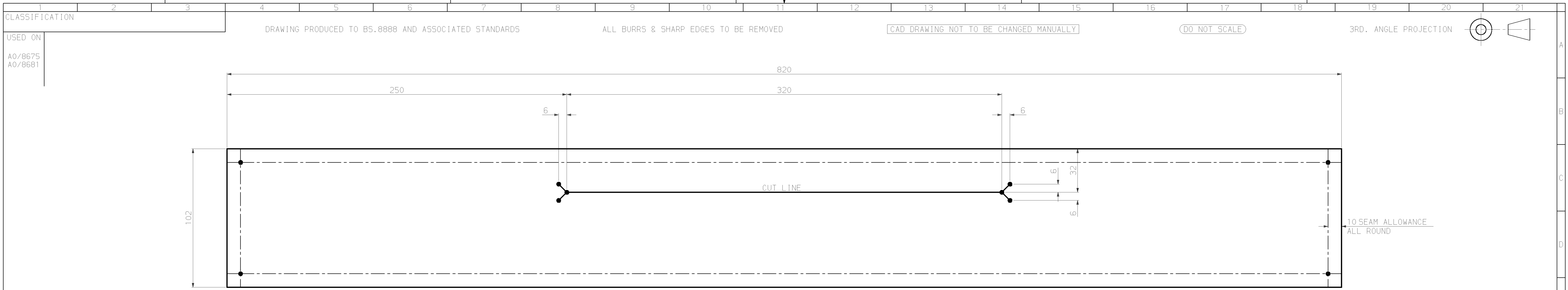
REVERSE SIDE OF MATERIAL

STITCHING SHOWN THUS OR

© CROWN COPYRIGHT

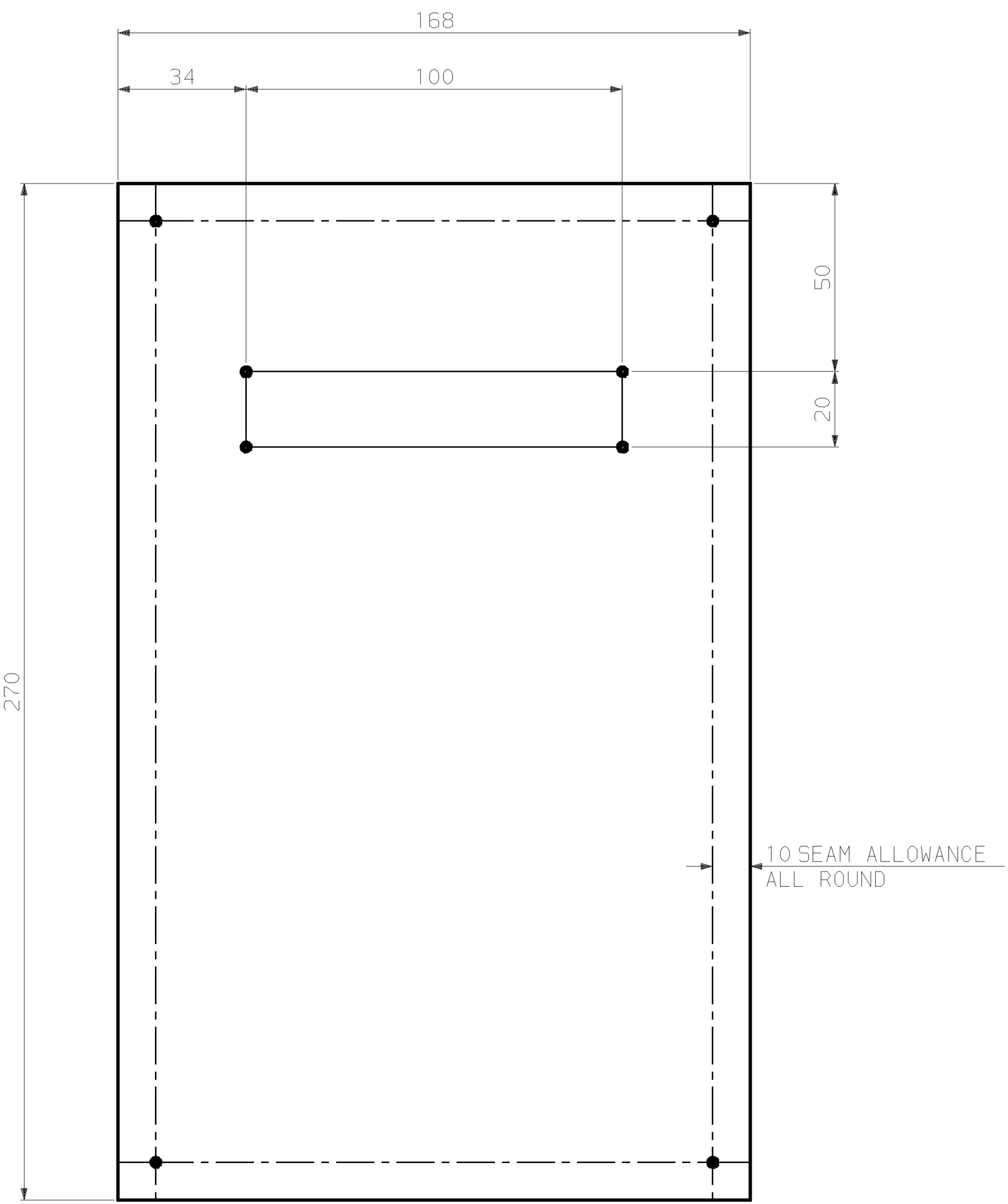
REDRAWN AT ISSUE 5										CERTIFIED		MATERIAL		TOLERANCES		DIMENSIONS IN		CONTRACTOR		CLASSIFICATION		
APPROVED M.KILBURN										G.FULLAGAR		SEE SPECIFICATION UK/SC/5168		NONE		MILLIMETRES		DEFENCE CLOTHING IPT (DLO CAVERSFIELD)		A0-8690		
CHECKED JWR										APPROVED FOR INSPECTION		FINISH		UNLESS OTHERWISE STATED		ORIGINAL SCALE		TITLE		CONTRACTORS DRAWING NO.		
DRAWN JWR										R.LAZENBY		SEE SPECIFICATION UK/SC/5168		REFERENCE No		1:1		RUCKSACK LONG 90 PATTERN BACK INNER ASSEMBLY		DRAWING NO.		
ISSUE					DATE					MOD NO.					NSN *					A0/8690		SHEET No 1 OF 1

USED ON A0/8675 A0/8681	CLASSIFICATION					CAD DRAWING NOT TO BE CHANGED MANUALLY		
	ITEM	DRG.No.	NAME			No. OFF	REMARKS	
	1	A0/8692	PANEL A, CLOTH COATED PU ON NYLON, PATT No.8725C			1		
	2	A0/8692	PANEL B, CLOTH COATED PU ON NYLON, PATT No.8725C			1		
	3	N.D.	TOUCH & CLOSE, LOOP, 20mm WIDE			1	CUT LENGTH 100mm	
	4	N.D.	CORD BRAIDED, 7mm WIDE, PATT No.9505C			1	CUT LENGTH 200mm	
	5	N.D.	SLIDE FASTENER, 19mm WIDE, 350mm LONG, CLOSED END			1		
						1	25-07-05	CS 2329
						ISSUE	DATE	MOD No
ISSUE	DATE	MOD No	ISSUE	DATE	MOD No	REFERENCE No	A/S 2450	
APPROVED M.KILBURN	CONTRACTOR				CERTIFIED G.FULLAGAR		APP'D FOR INSPECTION R.LAZENBY	
CHECKED JWR	AO-8692-IL-1 DEFENCE CLOTHING IPT (DLO CAVERSFIELD)				CLASSIFICATION			
DRAWN JWR	TITLE RUCKSACK LONG AND SHORT 90 PATTERN FRONT POCKET ASSEMBLY AND PANELS				CONTRACTORS ITEM LIST REF			
					ITEM LIST FOR A0/8692		SHEET No 1 OF 1	

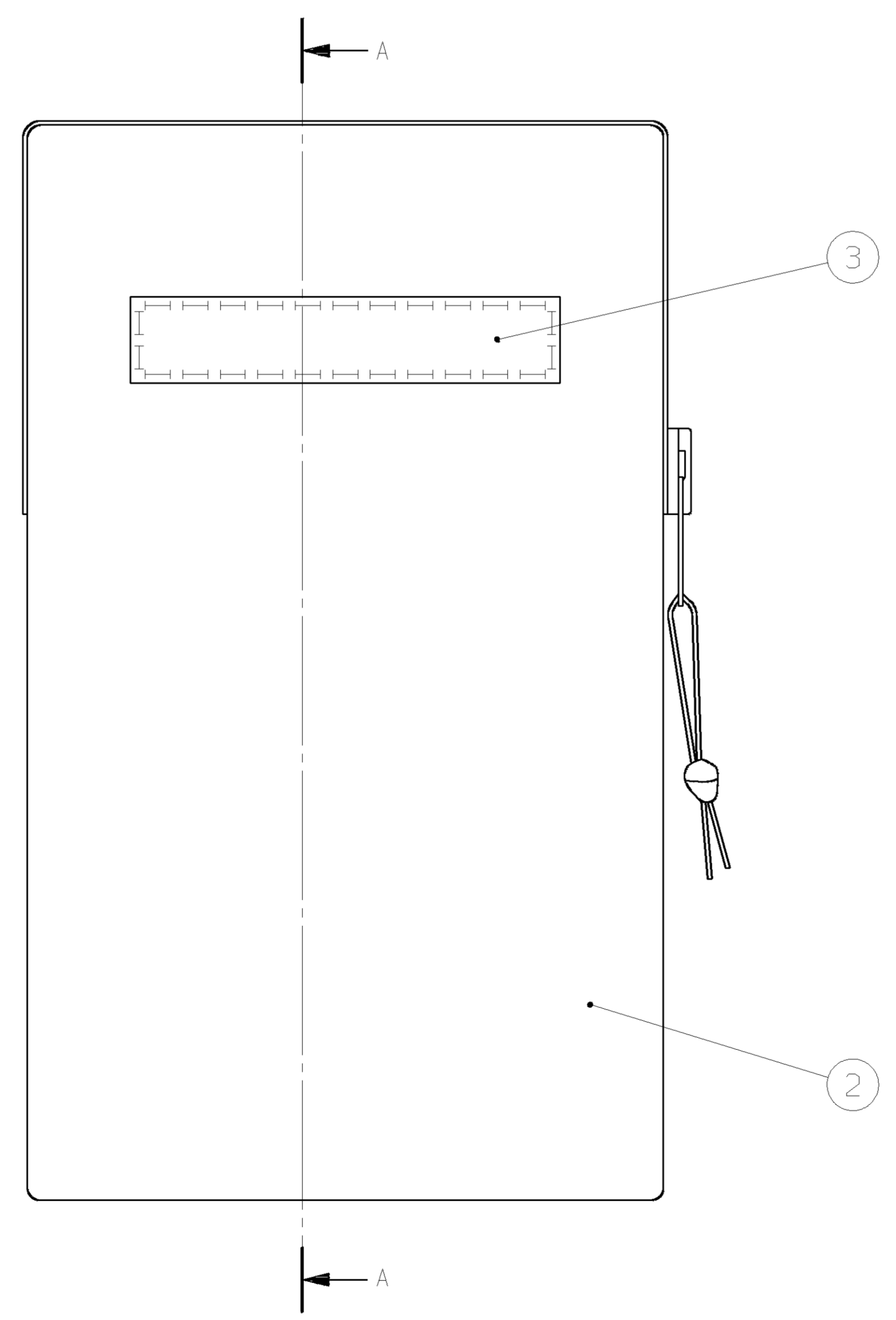


PANEL A
GUSSET, FRONT POCKET

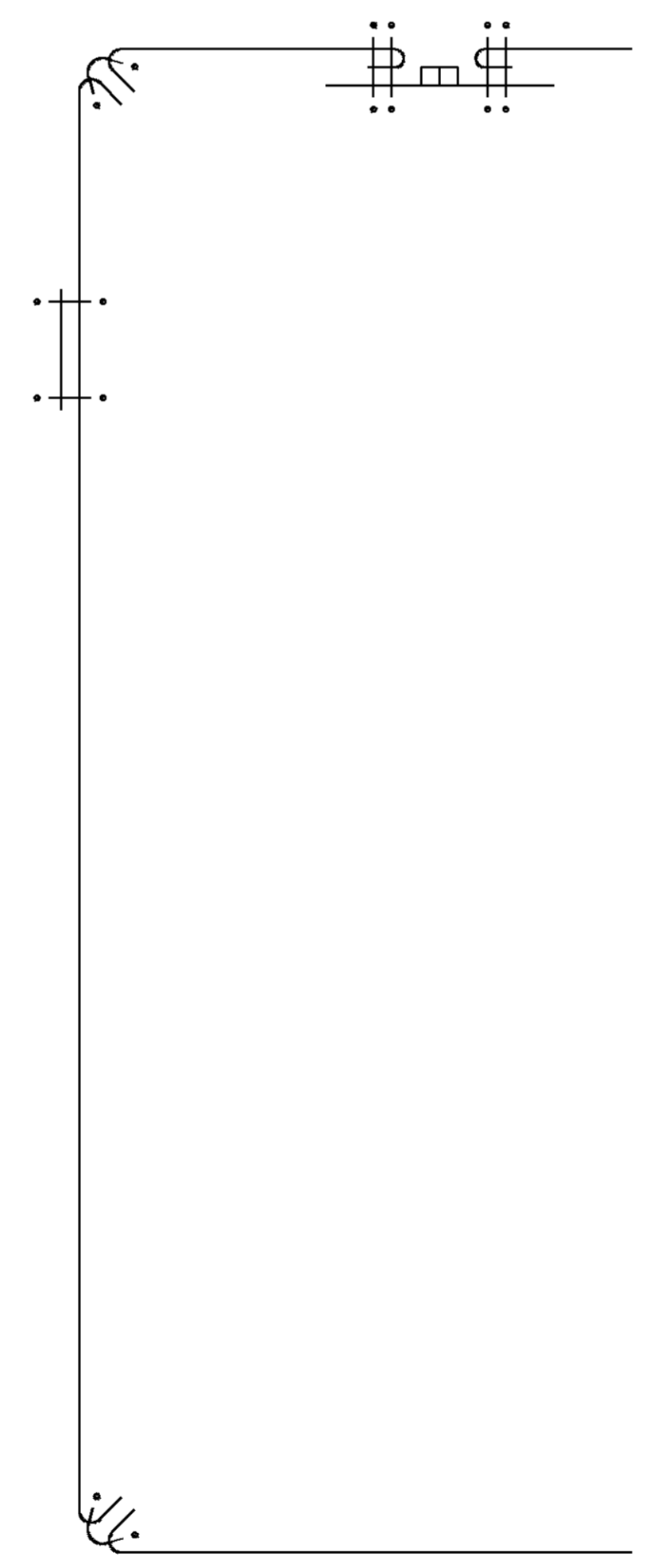
CUTTING LINE ———
 SEAM LINE - - - - -
 FOLD LINE - · - · -
 LOCATION FOR PARTS ● — OR ◆



PANEL B, FRONT



LINE SECTION A-A



LINE SECTION B-B

STITCHING SHOWN THUS ——— OR |||

© CROWN COPYRIGHT

APPROVED M.KILBURN										CERTIFIED G.FULLAGAR	MATERIAL SEE SPECIFICATION UK/SC/5168	TOLERANCES NONE UNLESS OTHERWISE STATED	DIMENSIONS IN MILLIMETRES	CONTRACTOR DEFENCE CLOTHING IPT (DLO CAVERSFIELD)	CLASSIFICATION CONTRACTORS DRAWING NO.
CHECKED JWR										APPROVED FOR INSPECTION R.LAZENBY	FINISH SEE SPECIFICATION UK/SC/5168	REFERENCE No A/S 2450	ORIGINAL SCALE 1:1	TITLE RUCKSACK LONG AND SHORT 90 PATTERN FRONT POCKET ASSEMBLY AND PANELS	DRAWING NO. A0/8692
ISSUE	DATE	MOD NO.	ISSUE	DATE	MOD NO.	ISSUE	DATE	MOD NO.	ISSUE	DATE	MOD NO.	SHEET No 1 OF 1			

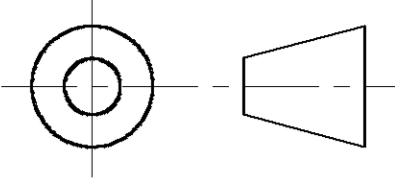
CLASSIFICATION

DRAWING PRODUCED TO BS.8888 AND ASSOCIATED STANDARDS ALL BURRS & SHARP EDGES TO BE REMOVED

CAD DRAWING NOT TO BE CHANGED MANUALLY

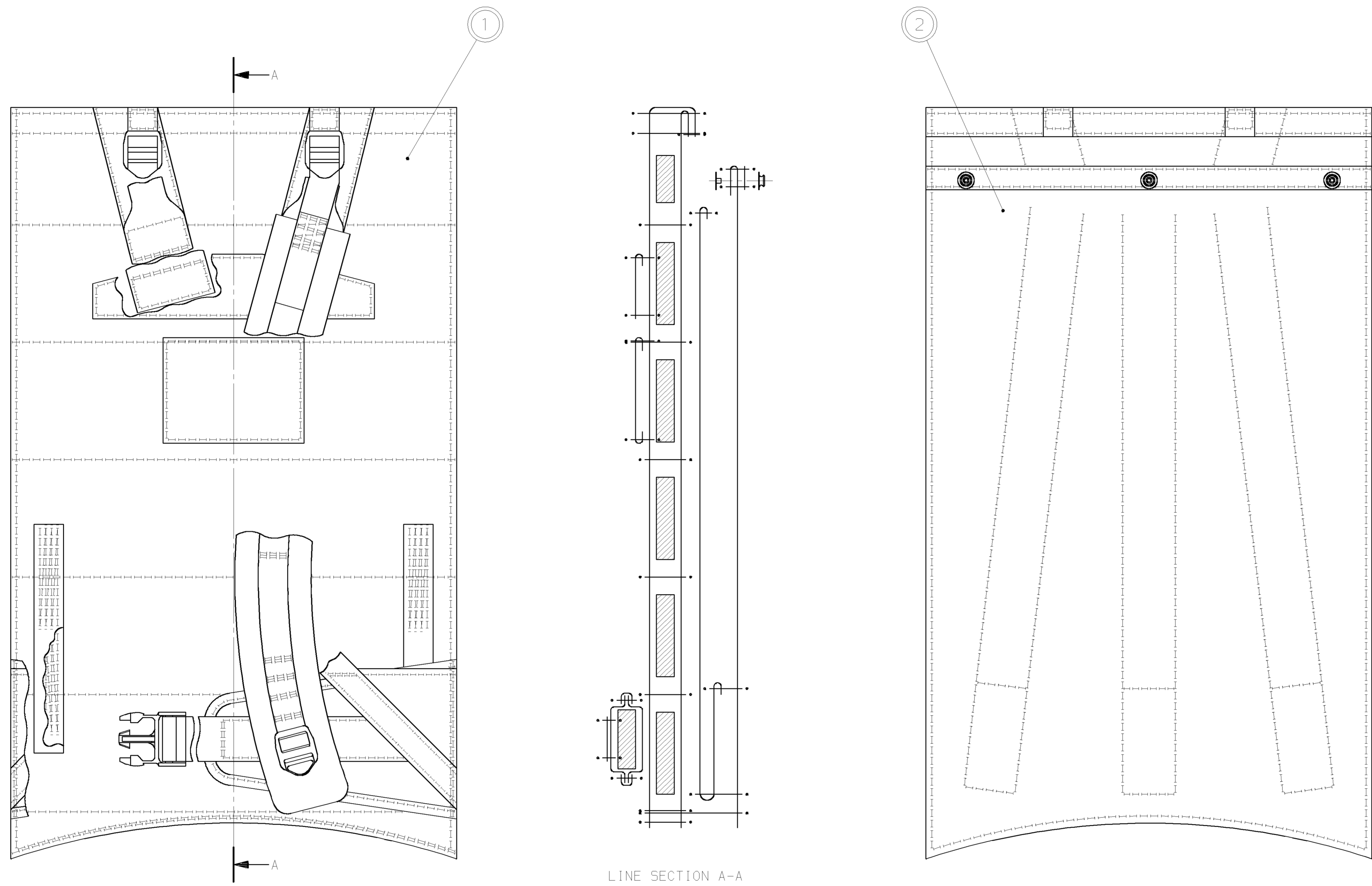
DO NOT SCALE

3RD. ANGLE PROJECTION



USED ON
A0/8673

STITCHING SHOWN THUS OR



LINE SECTION A-A

REDRAWN AT ISSUE 4

© CROWN COPYRIGHT

APPROVED M. KILBURN						MATERIAL SEE SPECIFICATION UK/SC/5168	TOLERANCES NONE	DIMENSIONS IN MILLIMETRES	CONTRACTOR A1-8674	CLASSIFICATION CONTRACTORS DRAWING NO.
CHECKED JWR						FINISH SEE SPECIFICATION UK/SC/5168	UNLESS OTHERWISE STATED	ORIGINAL SCALE 1:2	DEFENCE CLOTHING IPT (DLO CAVERSFIELD)	DRAWING NO. A1/8674
DRAWN JWR	4	25-07-05	C5 2329			CERTIFIED G. FULLAGAR	APPROVED FOR INSPECTION R. LAZENBY	REFERENCE No A/S 2450	TITLE RUCKSACK LONG 90 PATTERN, BACK ASSEMBLY	SHEET No 1 OF 1
ISSUE	DATE	MOD NO.	ISSUE	DATE	MOD NO.				NSN *	

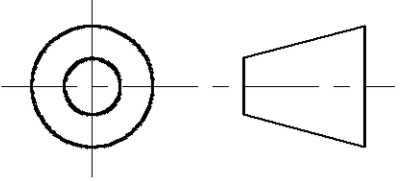
CLASSIFICATION

DRAWING PRODUCED TO BS.8888 AND ASSOCIATED STANDARDS ALL BURRS & SHARP EDGES TO BE REMOVED

CAD DRAWING NOT TO BE CHANGED MANUALLY

DO NOT SCALE

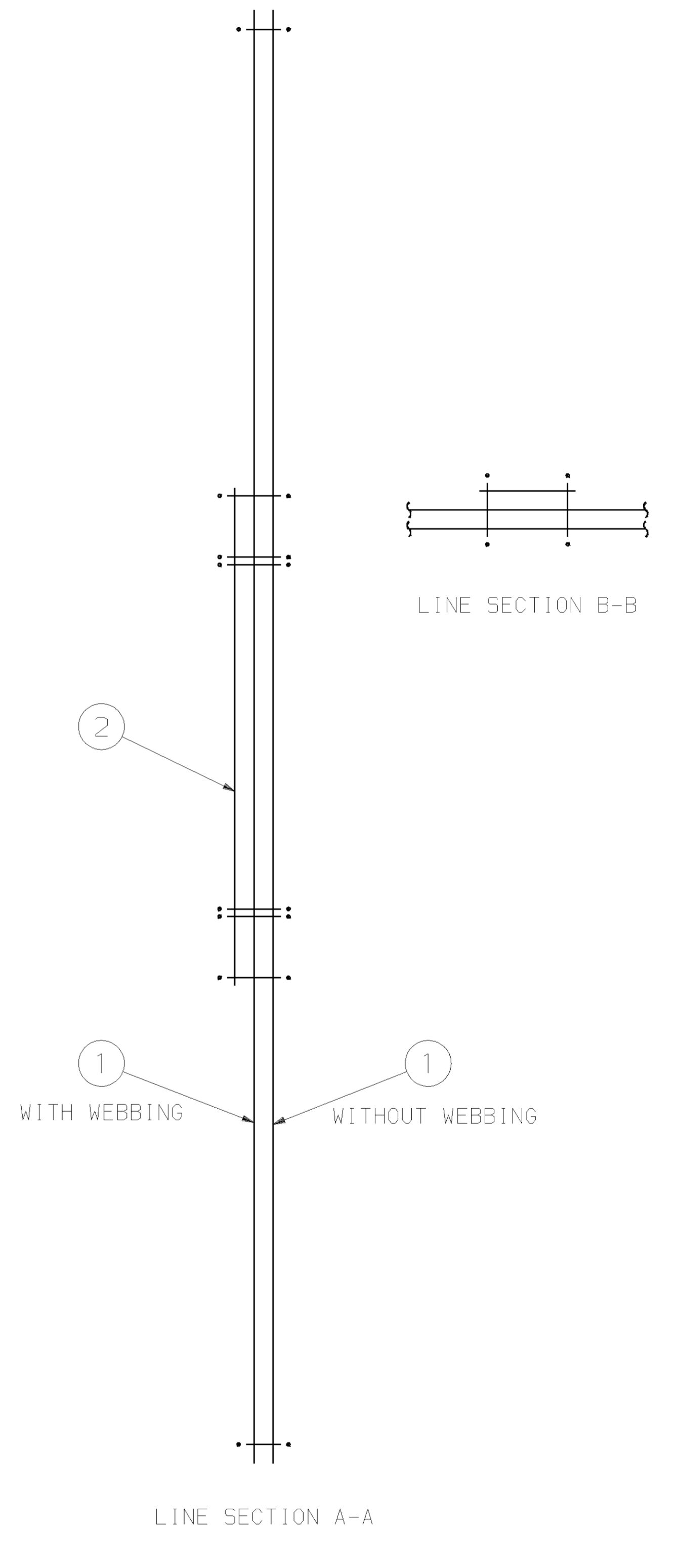
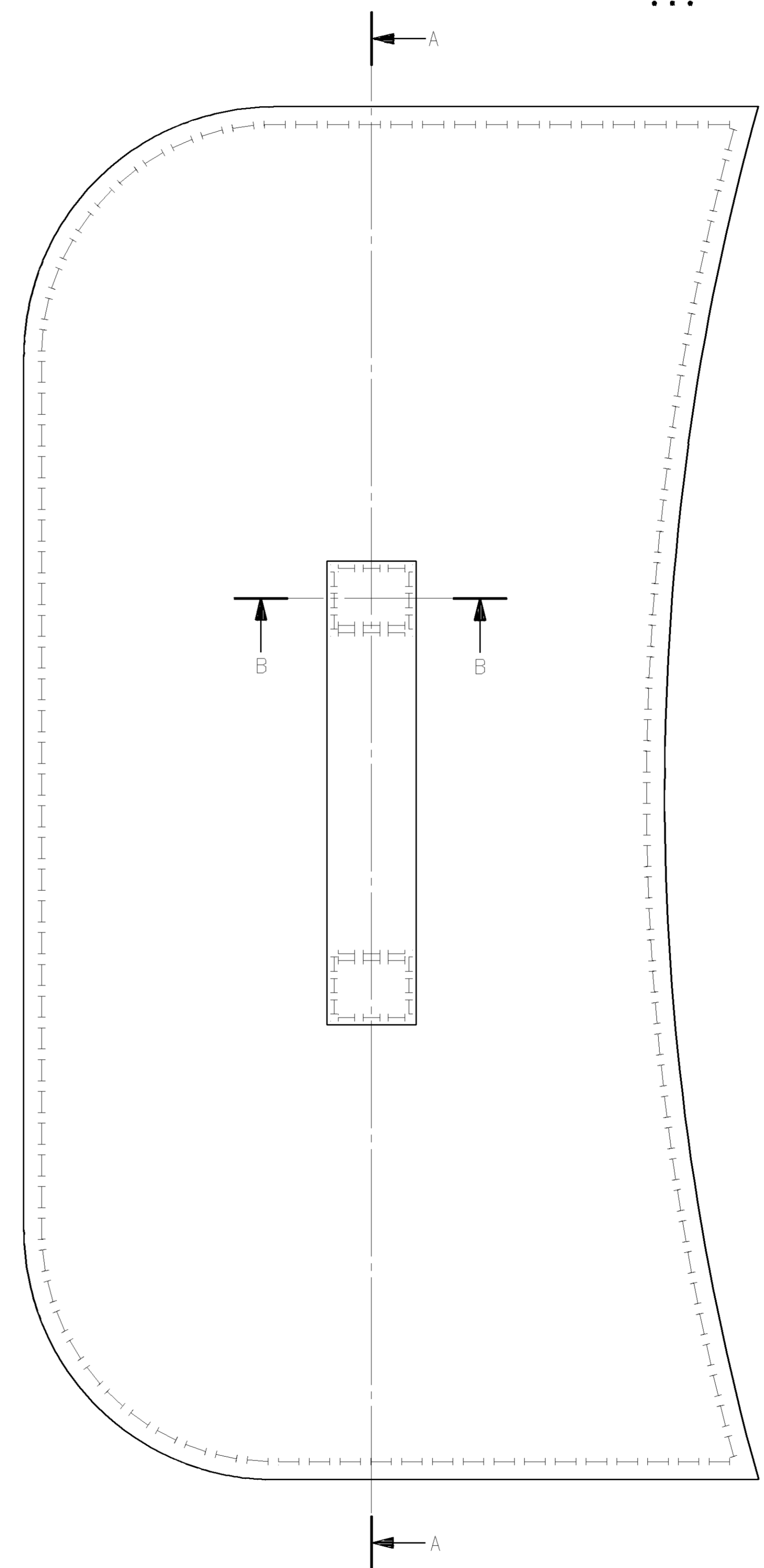
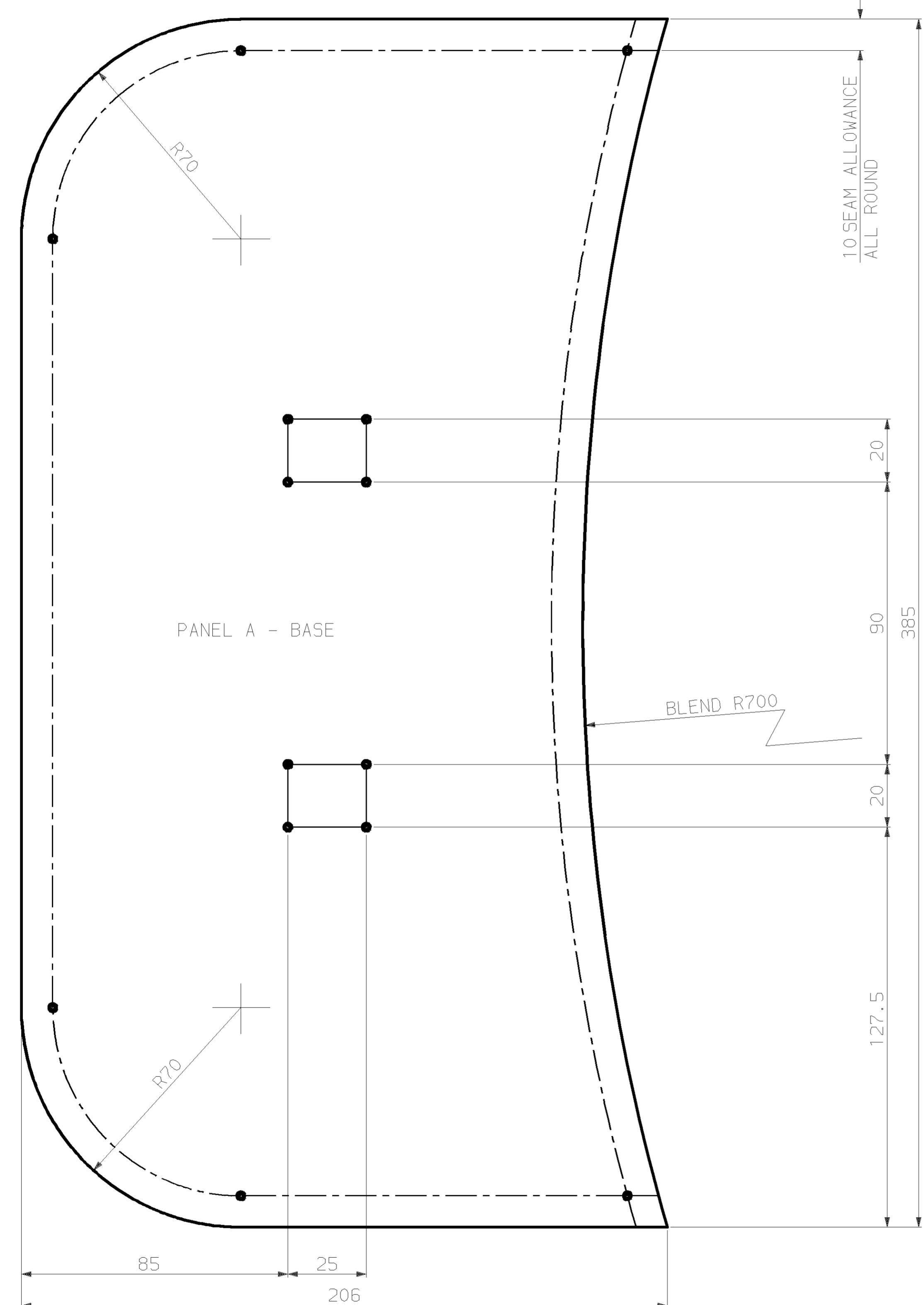
3RD. ANGLE PROJECTION



USED ON
A0/8673

CUTTING LINE ———
SEAM LINE - - - - -
FOLD LINE - - - - -
LOCATION FOR PARTS ● ——— ● OR ● ——— ●

STITCHING SHOWN THUS ———— OR ————

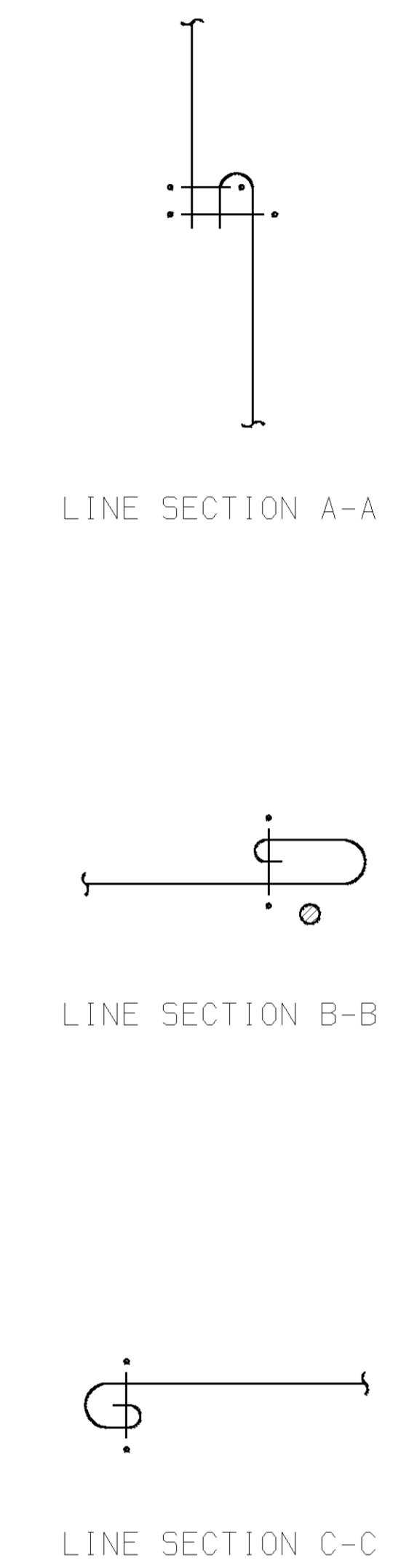
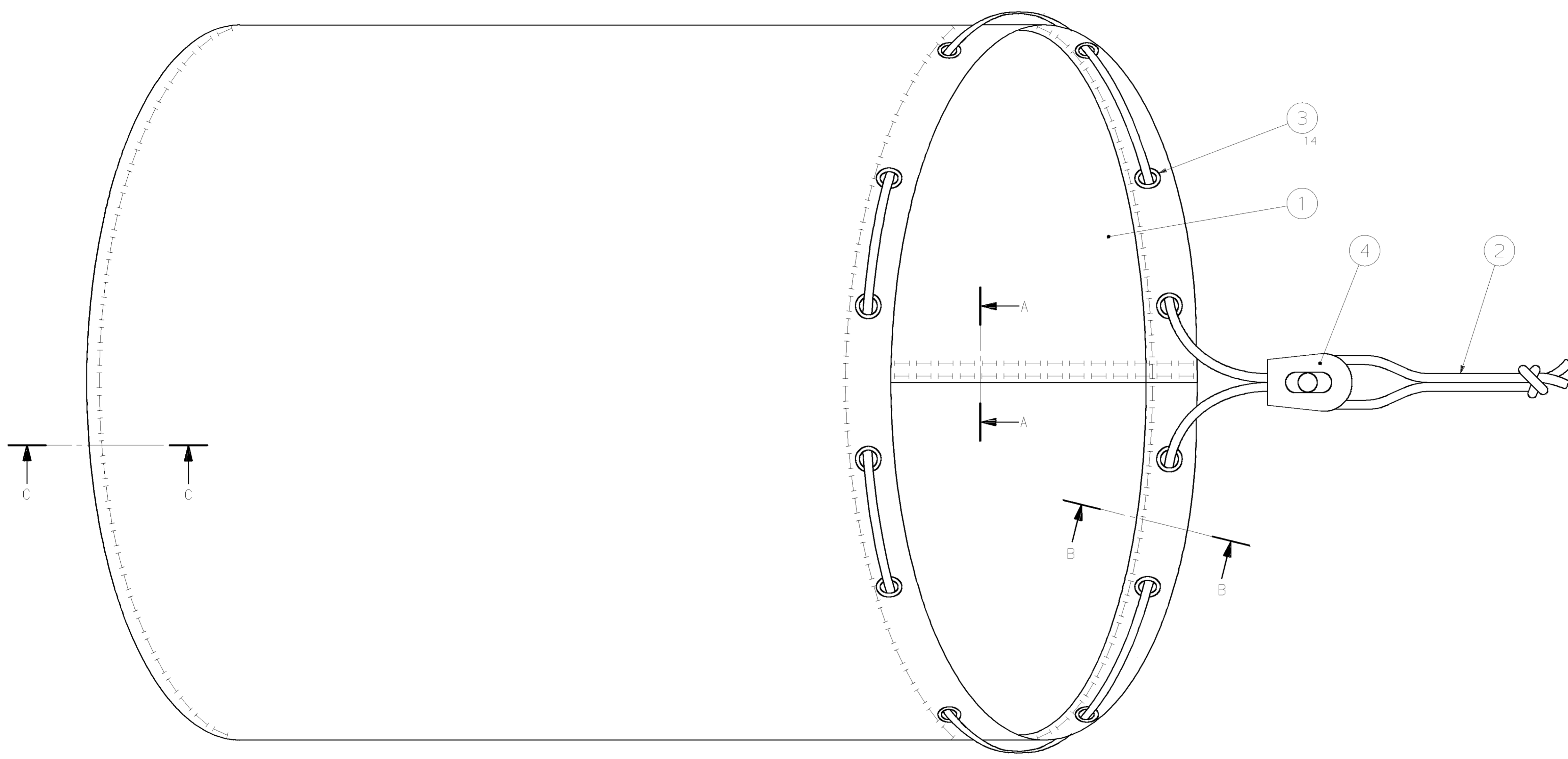


NOTE: ITEM 2 ON OUTSIDE ONLY

© CROWN COPYRIGHT

REDRAWN AT ISSUE 4

APPROVED M. KILBURN						MATERIAL SEE SPECIFICATION UK/SC/5168	TOLERANCES NONE	DIMENSIONS IN MILLIMETRES	CONTRACTOR A1-8677	CLASSIFICATION
CHECKED JWR						FINISH SEE SPECIFICATION UK/SC/5168	UNLESS OTHERWISE STATED	ORIGINAL SCALE 1:1	DEFENCE CLOTHING IPT (DLO CAVERSFIELD)	CONTRACTORS DRAWING NO.
DRAWN JWR	4	25-07-05	C5 2329			CERTIFIED G. FULLAGAR	APPROVED FOR INSPECTION R. LAZENBY	REFERENCE No A/S 2450	TITLE RUCKSACK LONG 90 PATTERN, BASE ASSEMBLY AND PANEL	DRAWING NO. A1/8677
	ISSUE	DATE	MOD NO.	ISSUE	DATE	MOD NO.			NSN *	SHEET No 1 OF 1



REDRAWN AT ISSUE 4

© CROWN COPYRIGHT

APPROVED											MATERIAL	TOLERANCES	DIMENSIONS IN	CONTRACTOR	CLASSIFICATION
M. KILBURN											SEE SPECIFICATION UK/SC/5168	NONE	MILLIMETRES		
CHECKED											FINISH	UNLESS OTHERWISE STATED	ORIGINAL SCALE	DEFENCE CLOTHING IPT (DLO CAVERSFIELD)	CONTRACTORS DRAWING NO.
JWR											SEE SPECIFICATION UK/SC/5168		1:1		
DRAWN											CERTIFIED	APPROVED FOR INSPECTION	REFERENCE No	TITLE	DRAWING NO.
JWR	4	25-07-05	C5 2329								G. FULLAGAR	R. LAZENBY	A/S 2450	RUCKSACK LONG 90 PATTERN SHROUD ASSEMBLY	A1/8678
	ISSUE	DATE	MOD NO.	ISSUE	DATE	MOD NO.								NSN *	SHEET No 1 OF 1

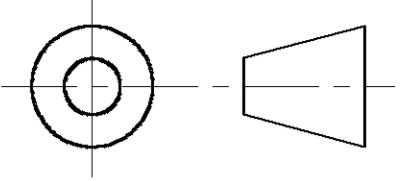
CLASSIFICATION

DRAWING PRODUCED TO BS.8888 AND ASSOCIATED STANDARDS ALL BURRS & SHARP EDGES TO BE REMOVED

CAD DRAWING NOT TO BE CHANGED MANUALLY

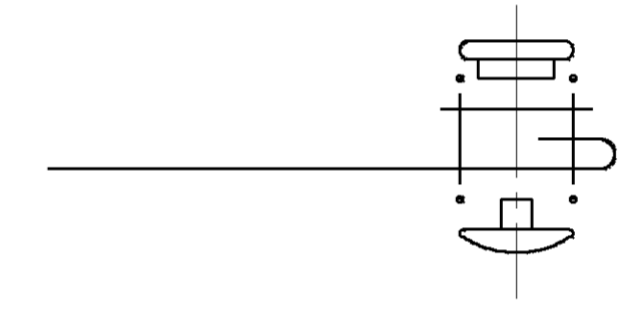
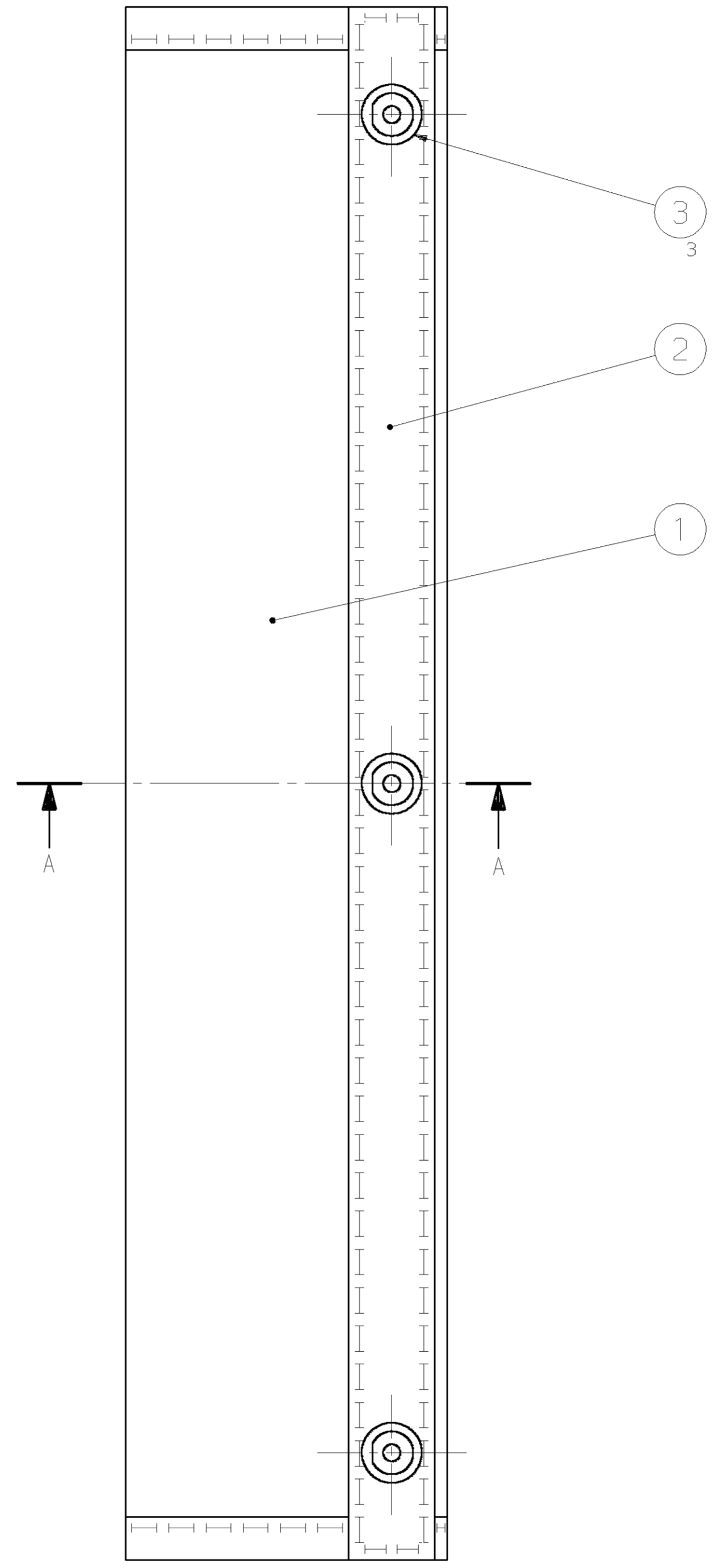
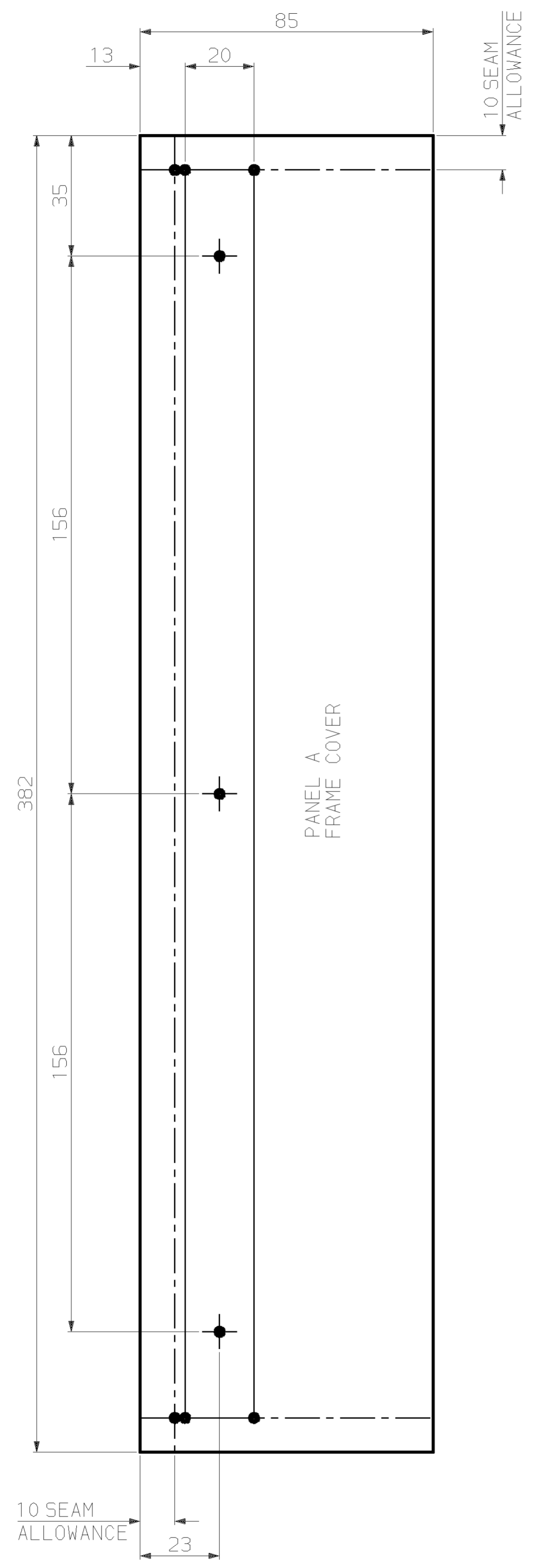
DO NOT SCALE

3RD. ANGLE PROJECTION



USED ON
A0/8673

CUTTING LINE ———
SEAM LINE - - - - -
FOLD LINE - · - · -
LOCATION FOR PARTS ● ——— OR +



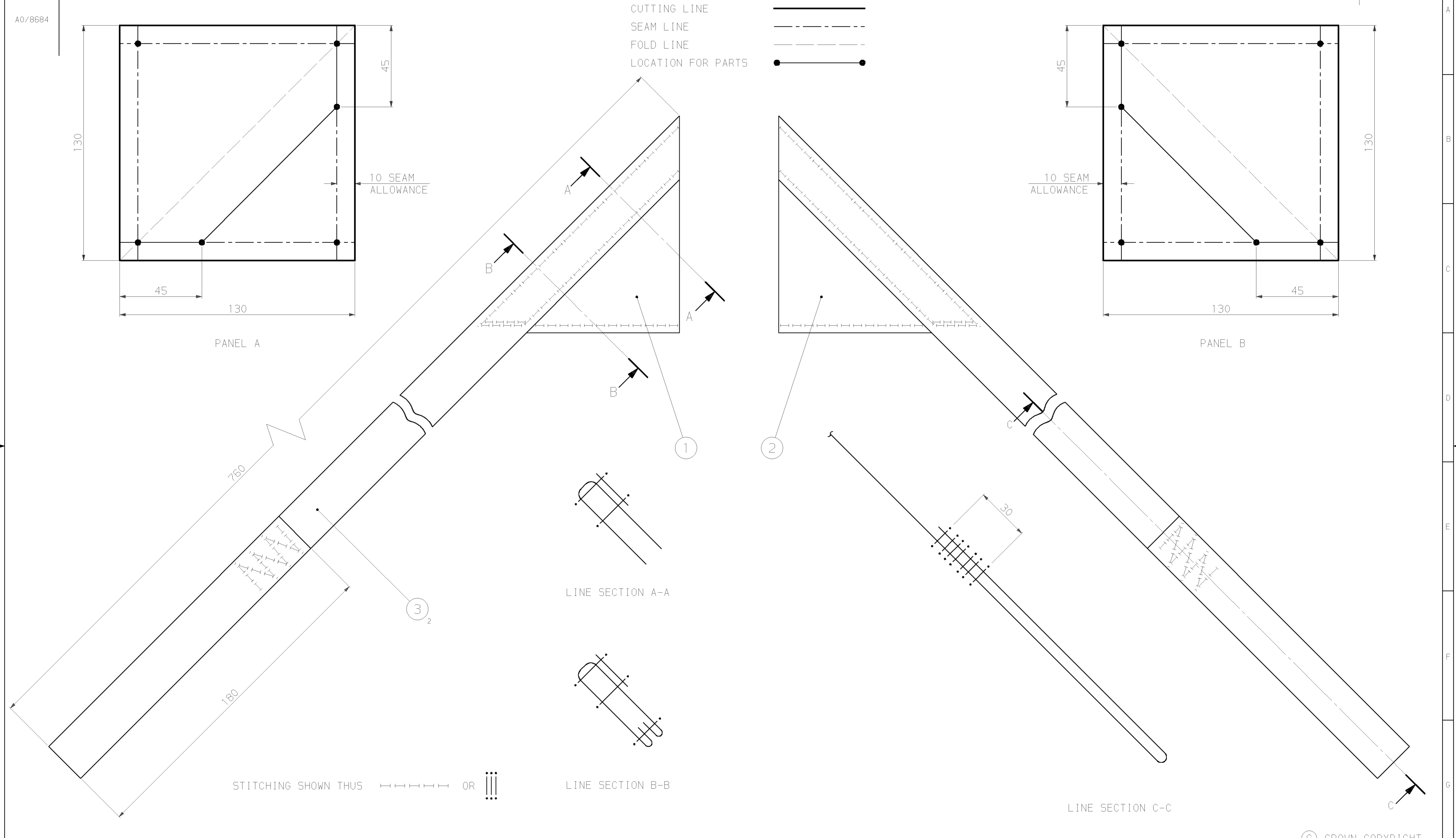
LINE SECTION A-A

STITCHING SHOWN THUS ———— OR |||

© CROWN COPYRIGHT

REDRAWN AT ISSUE 4

APPROVED M. KILBURN						MATERIAL SEE SPECIFICATION UK/SC/5168	TOLERANCES NONE	DIMENSIONS IN MILLIMETRES	CONTRACTOR A1-8679	CLASSIFICATION
CHECKED JWR						FINISH SEE SPECIFICATION UK/SC/5168	UNLESS OTHERWISE STATED	ORIGINAL SCALE 1:1	DEFENCE CLOTHING IPT (DLO CAVERSFIELD)	CONTRACTORS DRAWING NO.
DRAWN JWR	4	25-07-05	C5 2329			CERTIFIED G. FULLAGAR	APPROVED FOR INSPECTION R. LAZENBY	REFERENCE No A/S 2450	TITLE RUCKSACK LONG AND SHORT 90 PATTERN, FRAME COVER ASSEMBLY AND PANEL	DRAWING NO. A1/8679
	ISSUE	DATE	MOD NO.	ISSUE	DATE	MOD NO.			NSN *	SHEET No 1 OF 1



APPROVED M. KILBURN							MATERIAL SEE SPECIFICATION UK/SC/5168		TOLERANCES NONE		DIMENSIONS IN MILLIMETRES		CONTRACTOR DEFENCE CLOTHING IPT (DLO CAVERSFIELD)		CLASSIFICATION A1-8687	
CHECKED JWR							FINISH SEE SPECIFICATION UK/SC/5168		UNLESS OTHERWISE STATED		ORIGINAL SCALE 1:1		TITLE RUCKSACK LONG AND SHORT 90 PATTERN, STRAP TAB ASSEMBLY AND PANELS		CONTRACTORS DRAWING NO.	
DRAWN JWR			6	25-07-05	C5 2329	CERTIFIED G. FULLAGAR		APPROVED FOR INSPECTION R. LAZENBY		REFERENCE No A/S 2450		DRAWING NO. A1/8687		SHEET No 1 OF 1		
ISSUE			DATE	MOD NO.	ISSUE	DATE	MOD NO.									

USED ON A0/8675 A0/8681	CLASSIFICATION		CAD DRAWING NOT TO BE CHANGED MANUALLY		
	ITEM	DRG.No.	NAME	No. OFF	REMARKS
	1	A1/8693	PANEL A, CLOTH COATED PU ON NYLON, PATT No.8725C	1	
	2	N.D.	TAPE TEXTILE, 19mm WIDE, PATT No.9447F	AS REQ.	
	3	N.D.	TOUCH & CLOSE, HOOK, 20mm WIDE	1	CUT LENGTH 100mm

						1	25-07-05	CS 2329	
						ISSUE	DATE	MOD No	
ISSUE	DATE	MOD No	ISSUE	DATE	MOD No	REFERENCE No	A/S 2450		
APPROVED M.KILBURN	CONTRACTOR					CERTIFIED G.FULLAGAR	APP'D FOR INSPECTION R.LAZENBY		
CHECKED JWR	A1-8693-IL-1 DEFENCE CLOTHING IPT (DLO CAVERSFIELD)					CLASSIFICATION			
DRAWN JWR	TITLE RUCKSACK LONG AND SHORT 90 PATTERN FRONT POCKET LID ASSEMBLY AND PANEL					CONTRACTORS ITEM LIST REF			
	NSN *					ITEM LIST FOR A1/8693			SHEET No 1 OF 1

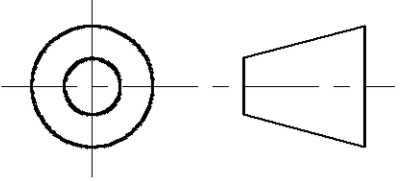
CLASSIFICATION

DRAWING PRODUCED TO BS.8888 AND ASSOCIATED STANDARDS ALL BURRS & SHARP EDGES TO BE REMOVED

CAD DRAWING NOT TO BE CHANGED MANUALLY

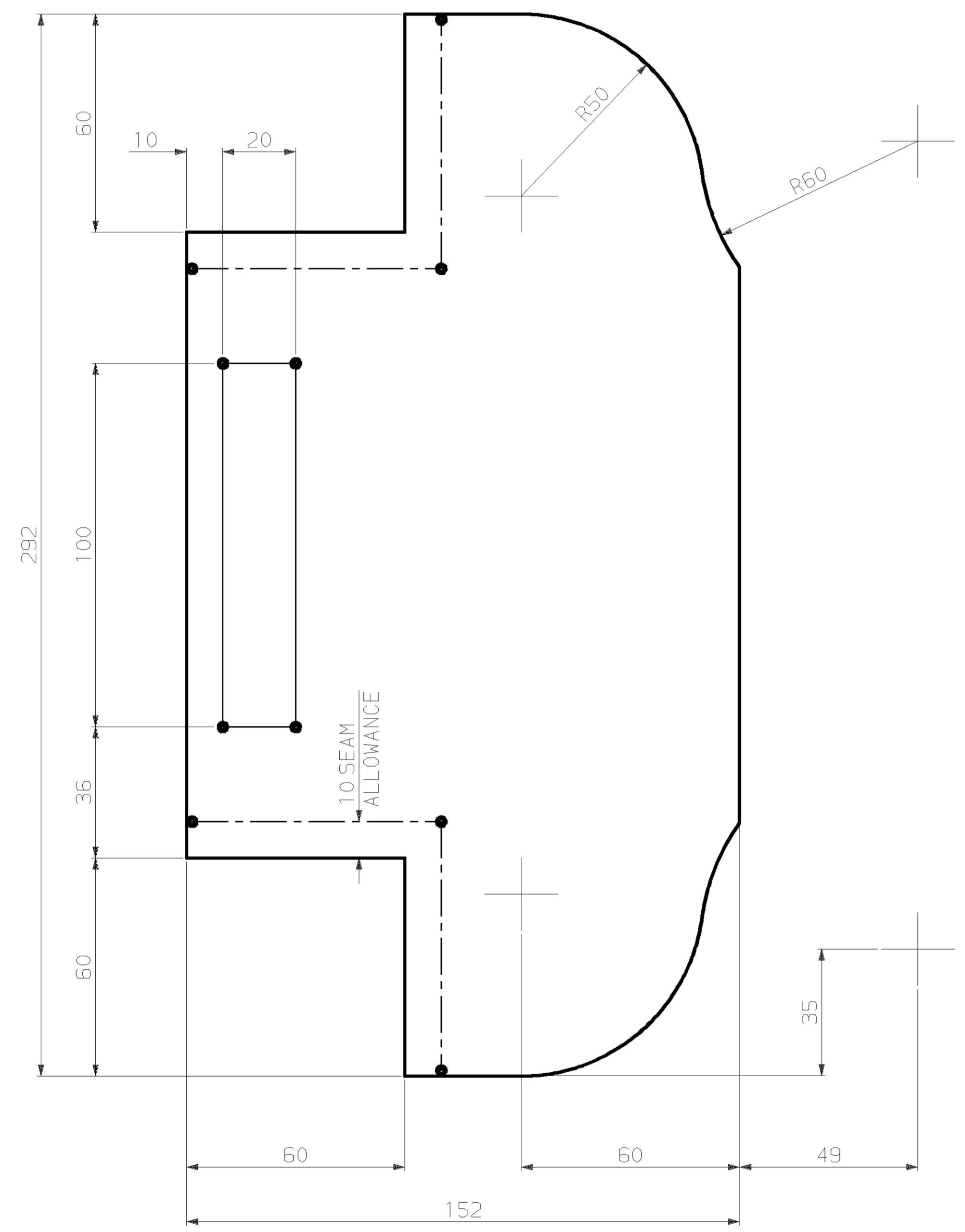
DO NOT SCALE

3RD. ANGLE PROJECTION

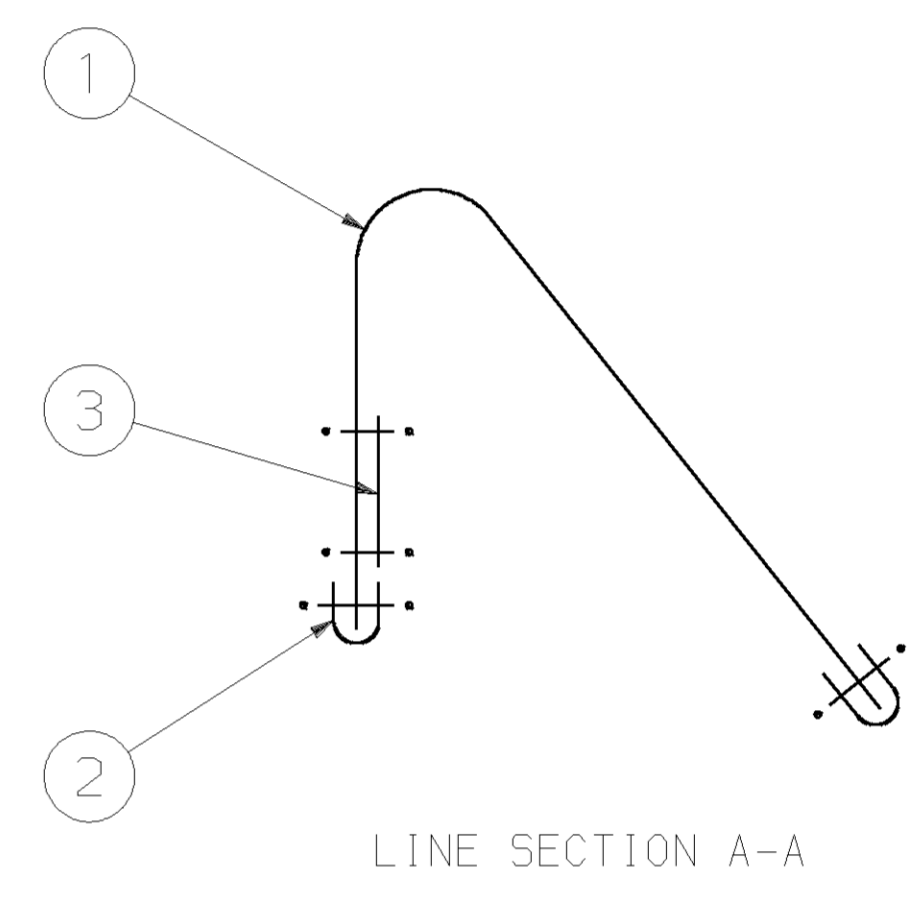
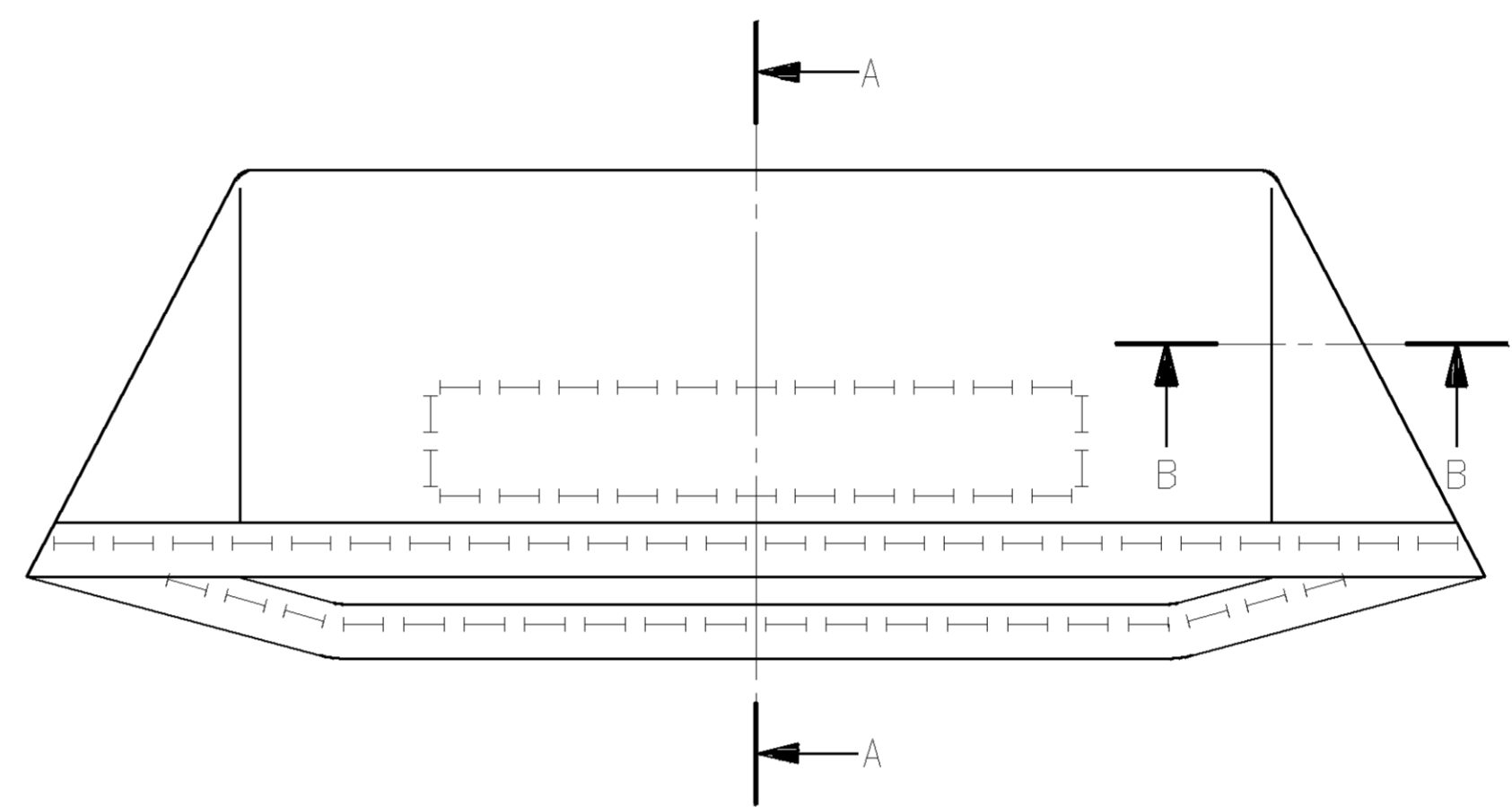


USED ON
A0/8675
A0/8681

CUTTING LINE ———
SEAM LINE - - - - -
FOLD LINE - - - - -
LOCATION FOR PARTS ● ——— ● OR ⊕



PANEL A
FRONT POCKET LID



LINE SECTION B-B
(TYPICAL THROUGH SEAMS)

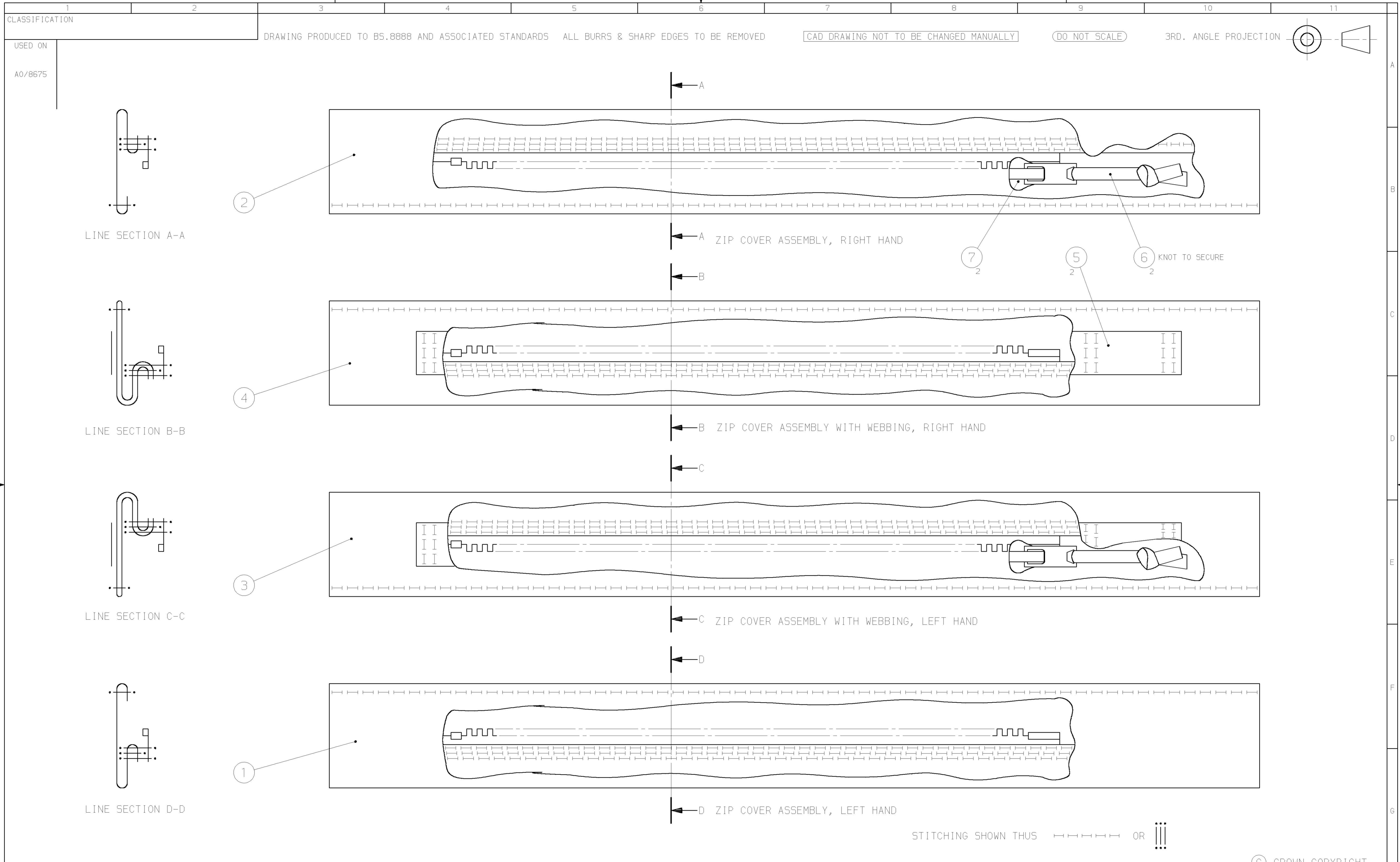
STITCHING SHOWN THUS ———— OR |||

© CROWN COPYRIGHT

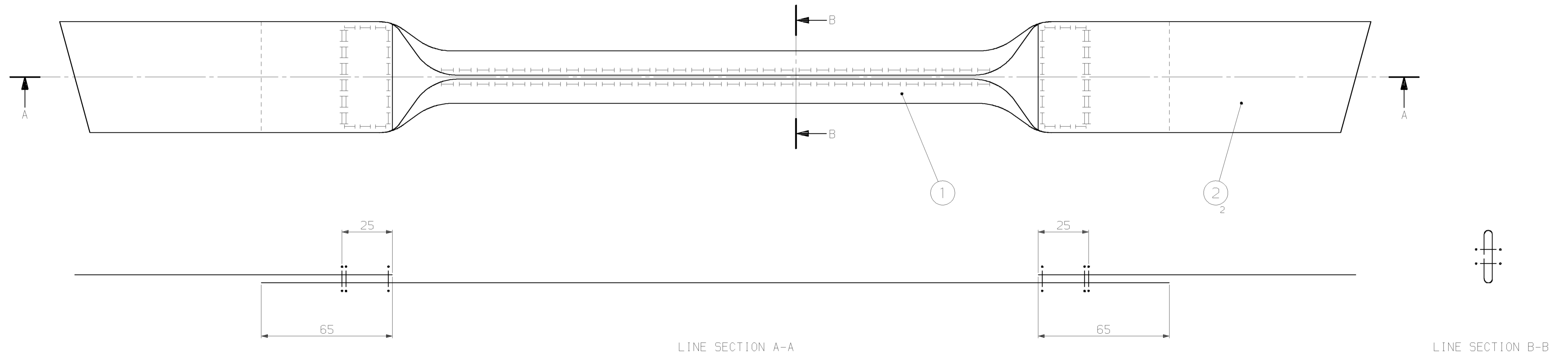
REDRAWN AT ISSUE 4

APPROVED M. KILBURN						MATERIAL SEE SPECIFICATION UK/SC/5168	TOLERANCES NONE	DIMENSIONS IN MILLIMETRES	CONTRACTOR A1-8693	CLASSIFICATION
CHECKED JWR						FINISH SEE SPECIFICATION UK/SC/5168	UNLESS OTHERWISE STATED	ORIGINAL SCALE 1:1	DEFENCE CLOTHING IPT (DLO CAVERSFIELD)	CONTRACTORS DRAWING NO.
DRAWN JWR	4	25-07-05	C5 2329			CERTIFIED G. FULLAGAR	APPROVED FOR INSPECTION R. LAZENBY	REFERENCE No A/S 2450	TITLE RUCKSACK LONG AND SHORT 90 PATTERN FRONT POCKET LID ASSEMBLY AND PANEL NSN *	DRAWING NO. A1/8693
	ISSUE	DATE	MOD NO.	ISSUE	DATE	MOD NO.				SHEET No 1 OF 1

USED ON		CLASSIFICATION				CAD DRAWING NOT TO BE CHANGED MANUALLY			
A0/8675	ITEM	DRG.No.	NAME			No. OFF	REMARKS		
	1	A0/8696	PANEL A, CLOTH COATED PU ON NYLON, PATT No.8725C			1			
	2	A0/8696	PANEL B, CLOTH COATED PU ON NYLON, PATT No.8725C			1			
	3	A0/8696	PANEL C, CLOTH COATED PU ON NYLON, PATT No.8725C			1			
	4	A0/8696	PANEL D, CLOTH COATED PU ON NYLON, PATT No.8725C			1			
	5	N.D.	WEBBING, 25mm WIDE PATT No.9350F			2	CUT LENGTH 440mm		
	6	N.D.	CORD BRAIDED, 7mm WIDE, PATT No.9505C			2	CUT LENGTH 200mm		
	7	N.D.	SLIDE FASTENER, 19mm WIDE, 350mm LONG, OPEN END			2			
							1	25-07-05	CS 2329
							ISSUE	DATE	MOD No
	ISSUE	DATE	MOD No	ISSUE	DATE	MOD No	REFERENCE No	A/S 2450	
	APPROVED	CONTRACTOR				CERTIFIED		APP'D FOR INSPECTION	
	M.KILBURN					G.FULLAGAR		R.LAZENBY	
	CHECKED	A1-8694-IL-1				CLASSIFICATION			
JWR	DEFENCE CLOTHING IPT (DLO CAVERSFIELD)				CONTRACTORS ITEM LIST REF				
DRAWN	TITLE				ITEM LIST FOR			SHEET No 1 OF 1	
JWR	RUCKSACK LONG 90 PATTERN ZIP COVER ASSEMBLIES				A1/8694				
		NSN *							



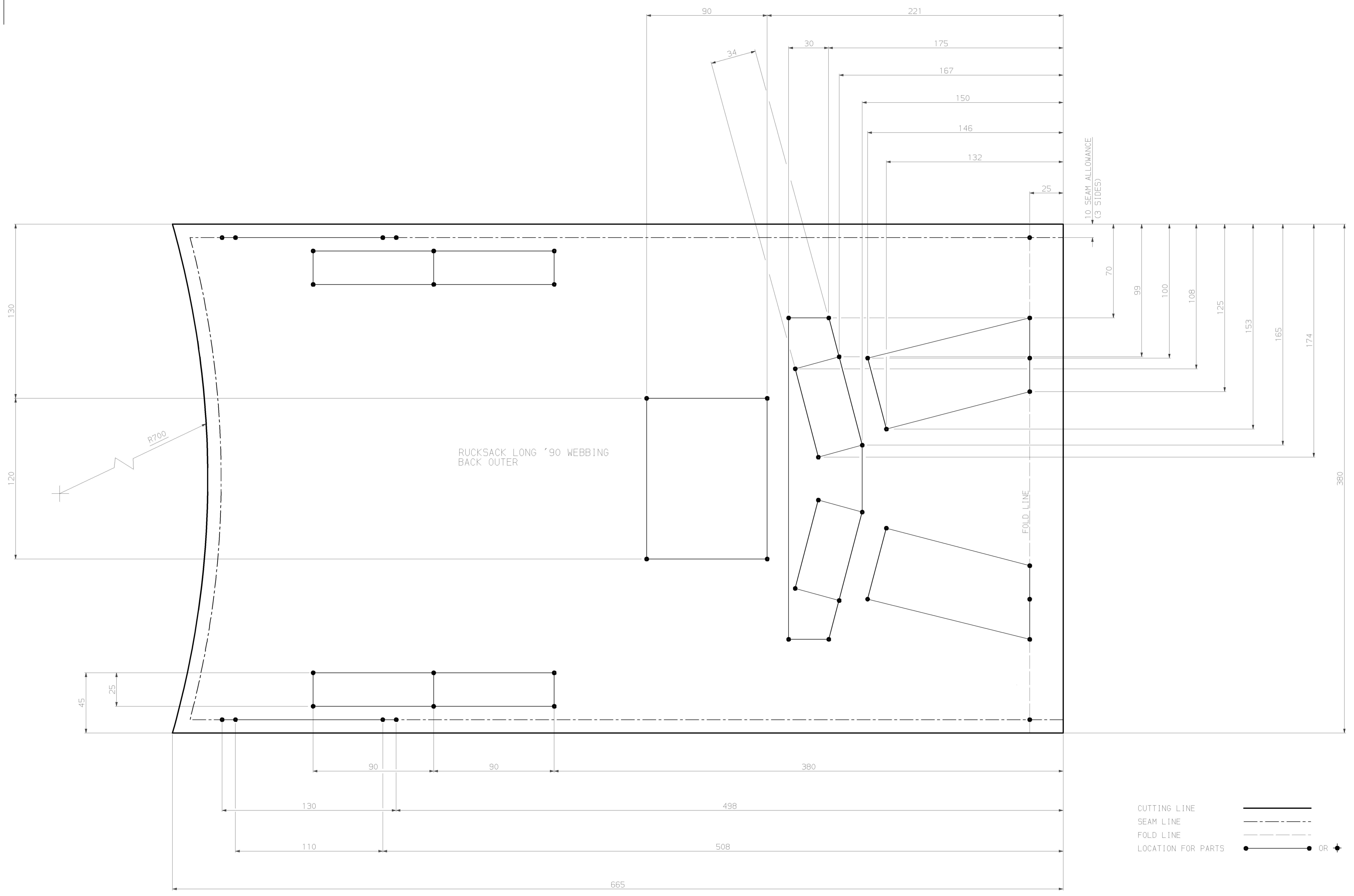
APPROVED M. KILBURN							MATERIAL SEE SPECIFICATION UK/SC/5168		TOLERANCES NONE		DIMENSIONS IN MILLIMETRES		CONTRACTOR A1-8694		CLASSIFICATION	
CHECKED JWR							FINISH SEE SPECIFICATION UK/SC/5168		UNLESS OTHERWISE STATED		ORIGINAL SCALE 1:1		DEFENCE CLOTHING IPT (DLO CAVERSFIELD)		CONTRACTORS DRAWING NO.	
DRAWN JWR							CERTIFIED G. FULLAGAR		APPROVED FOR INSPECTION R. LAZENBY		REFERENCE No A/S 2450		TITLE RUCKSACK LONG 90 PATTERN ZIP COVER ASSEMBLIES		DRAWING NO. A1/8694	
ISSUE 4							DATE 25-07-05		MOD NO. C5 2329		NSN *		SHEET No 1 OF 1			



STITCHING SHOWN THUS ———— OR |||

© CROWN COPYRIGHT

APPROVED M. KILBURN						MATERIAL SEE SPECIFICATION UK/SC/5168	TOLERANCES NONE	DIMENSIONS IN MILLIMETRES	CONTRACTOR A1-8708	CLASSIFICATION
CHECKED JWR						FINISH SEE SPECIFICATION UK/SC/5168	UNLESS OTHERWISE STATED	ORIGINAL SCALE 1:1	DEFENCE CLOTHING IPT (DLO CAVERSFIELD)	CONTRACTORS DRAWING NO.
DRAWN JWR	1	25-07-05	C5 2329			CERTIFIED G. FULLAGAR	APPROVED FOR INSPECTION R. LAZENBY	REFERENCE No A/S 2450	TITLE RUCKSACK LONG AND SHORT 90 PATTERN, HANDLE ASSEMBLY AND PANELS	DRAWING NO. A1/8708
	ISSUE	DATE	MOD NO.	ISSUE	DATE	MOD NO.			NSN *	SHEET No 1 OF 1

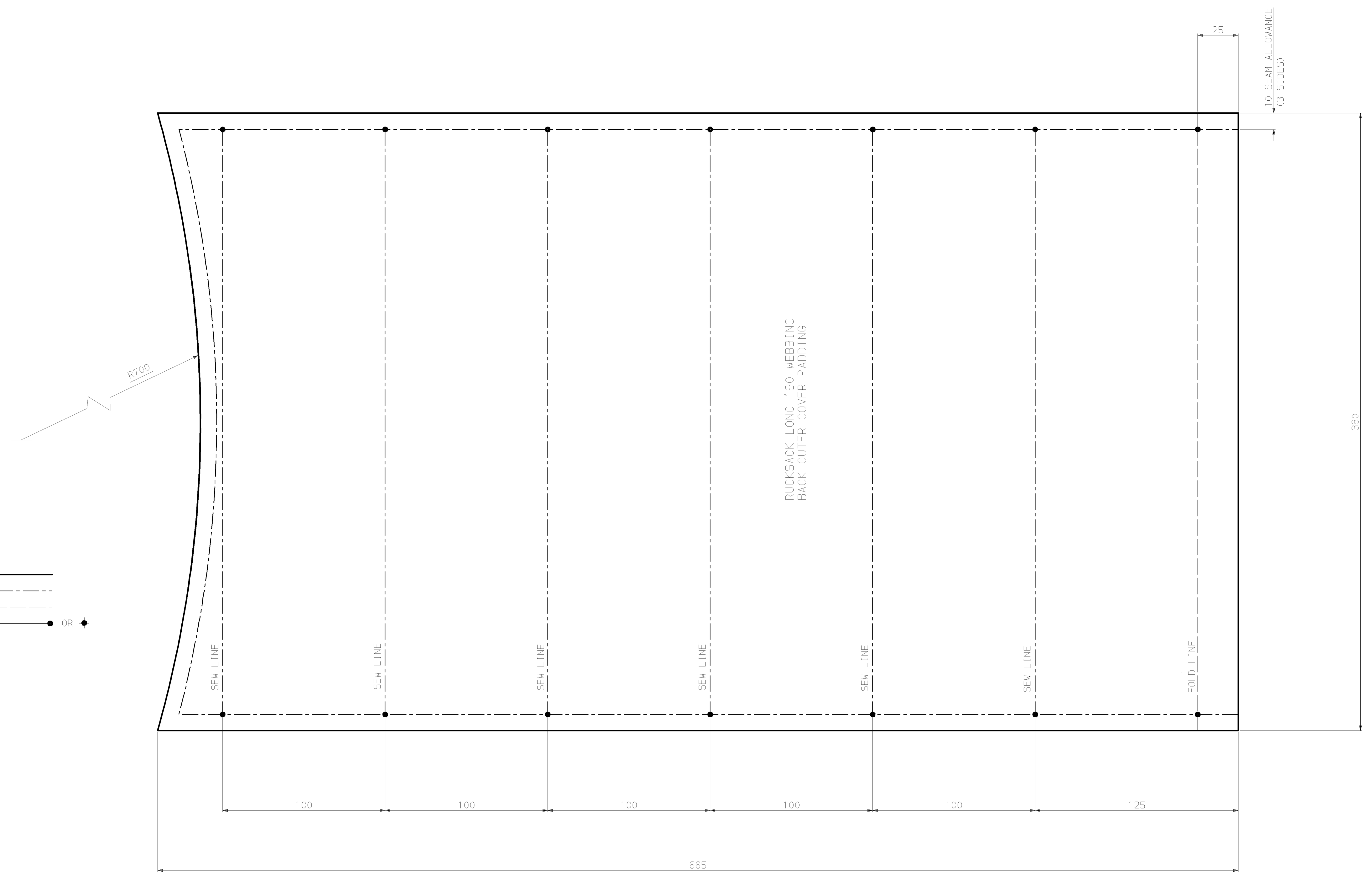


CUTTING LINE
 SEAM LINE
 FOLD LINE
 LOCATION FOR PARTS

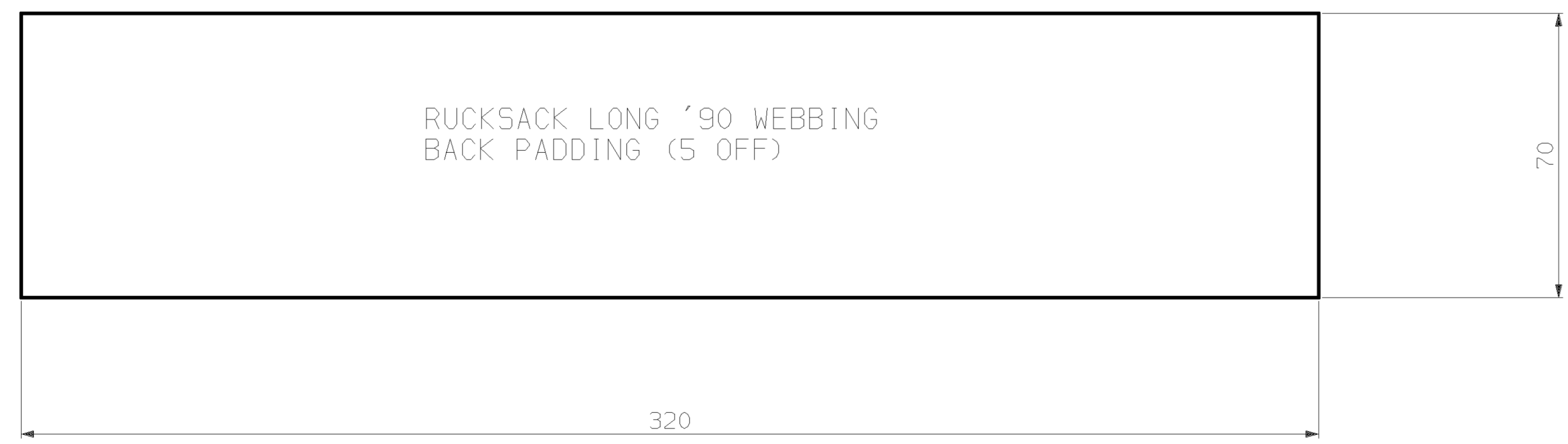
© CROWN COPYRIGHT

REDRAWN AT ISSUE 3										CERTIFIED		MATERIAL		TOLERANCES		DIMENSIONS IN		CONTRACTOR		CLASSIFICATION	
APPROVED M. KILBURN										G. FULLAGAR		NONE		NONE		MILLIMETRES		A0-8688		A0-8688	
CHECKED JWR										APPROVED FOR INSPECTION		FINISH		UNLESS OTHERWISE STATED		ORIGINAL SCALE		DEFENCE CLOTHING IPT (DLO CAVERSFIELD)		CONTRACTORS DRAWING NO.	
DRAWN JWR										R. LAZENBY		NONE		REFERENCE No A/S 2450-7		1:1		TITLE RUCKSACK LONG 90 PATTERN, BACK OUTER, COVER PADDING AND PADDING PANELS		DRAWING NO. A0/8688	
ISSUE DATE MOD NO. ISSUE DATE MOD NO. ISSUE DATE MOD NO. ISSUE DATE MOD NO.																NSN *		SHEET No 1 OF 2			

A0/8684



CUTTING LINE
 SEAM LINE
 FOLD LINE
 LOCATION FOR PARTS

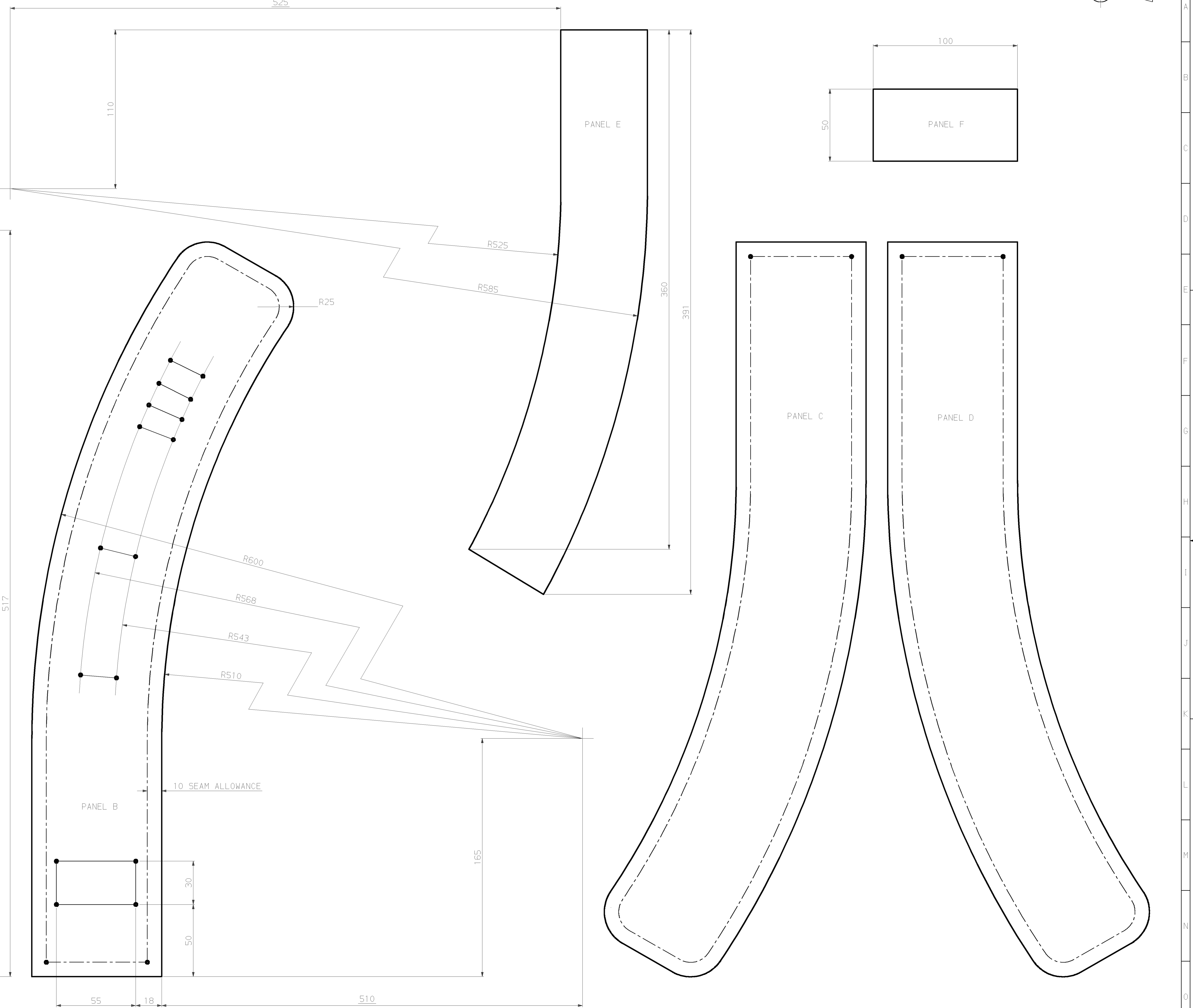


APPROVED M.KILBURN										CERTIFIED G.FULLAGAR	MATERIAL NONE	TOLERANCES NONE UNLESS OTHERWISE STATED	DIMENSIONS IN MILLIMETRES	CONTRACTOR DEFENCE CLOTHING IPT (DLO CAVERSFIELD)	CLASSIFICATION AO-8688-2
CHECKED JWR										APPROVED FOR INSPECTION R.LAZENBY	FINISH NONE	REFERENCE No A/S 2450-7	ORIGINAL SCALE 1:1	TITLE RUCKSACK LONG '90 PATTERN, BACK OUTER, COVER PADDING AND PADDING PANELS	CONTRACTORS DRAWING NO.
DRAWN JWR	2	25-07-05	CS 2329											DRAWING NO. A0/8688	SHEET No 2 OF 2
	1	21-09-92	CS 1748												
	ISSUE	DATE	MOD NO.	ISSUE	DATE	MOD NO.	ISSUE	DATE	MOD NO.						

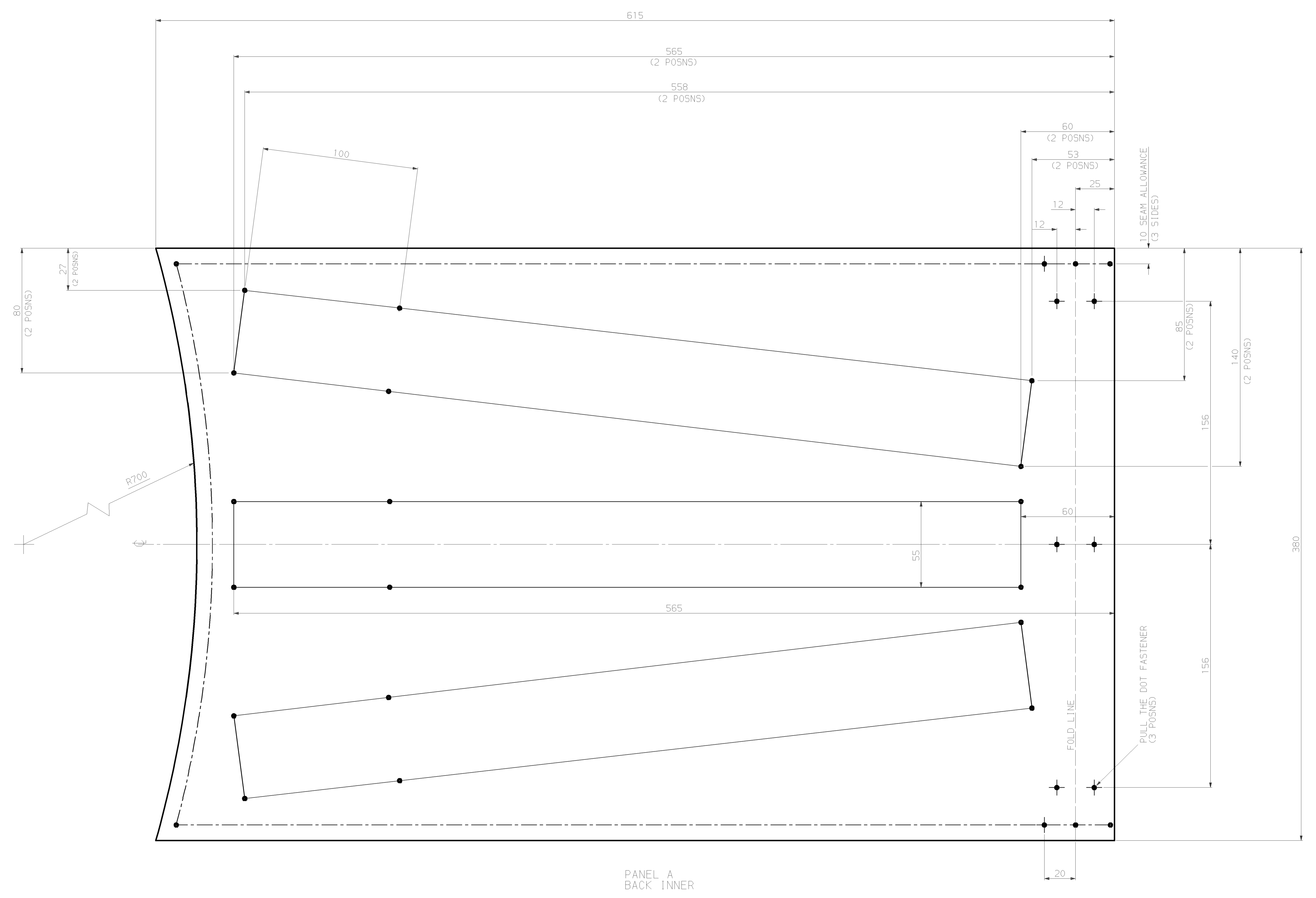
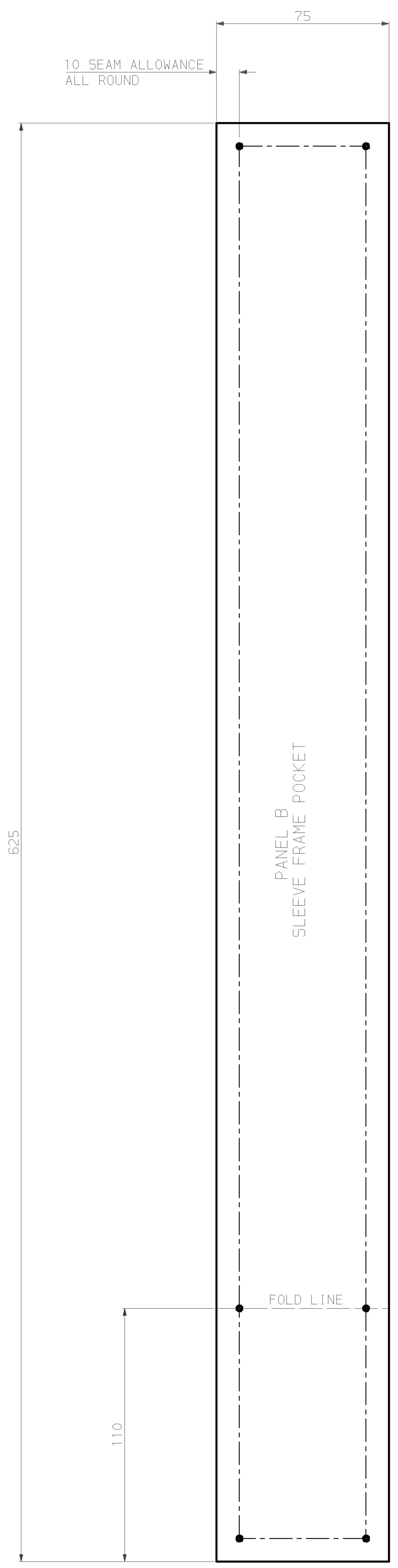
USED ON A0/8685

CUTTING LINE
SEAM LINE
FOLD LINE
LOCATION FOR PARTS

NOTE: DIMENSIONS FOR PANELS A, B, C & D ARE THE SAME.



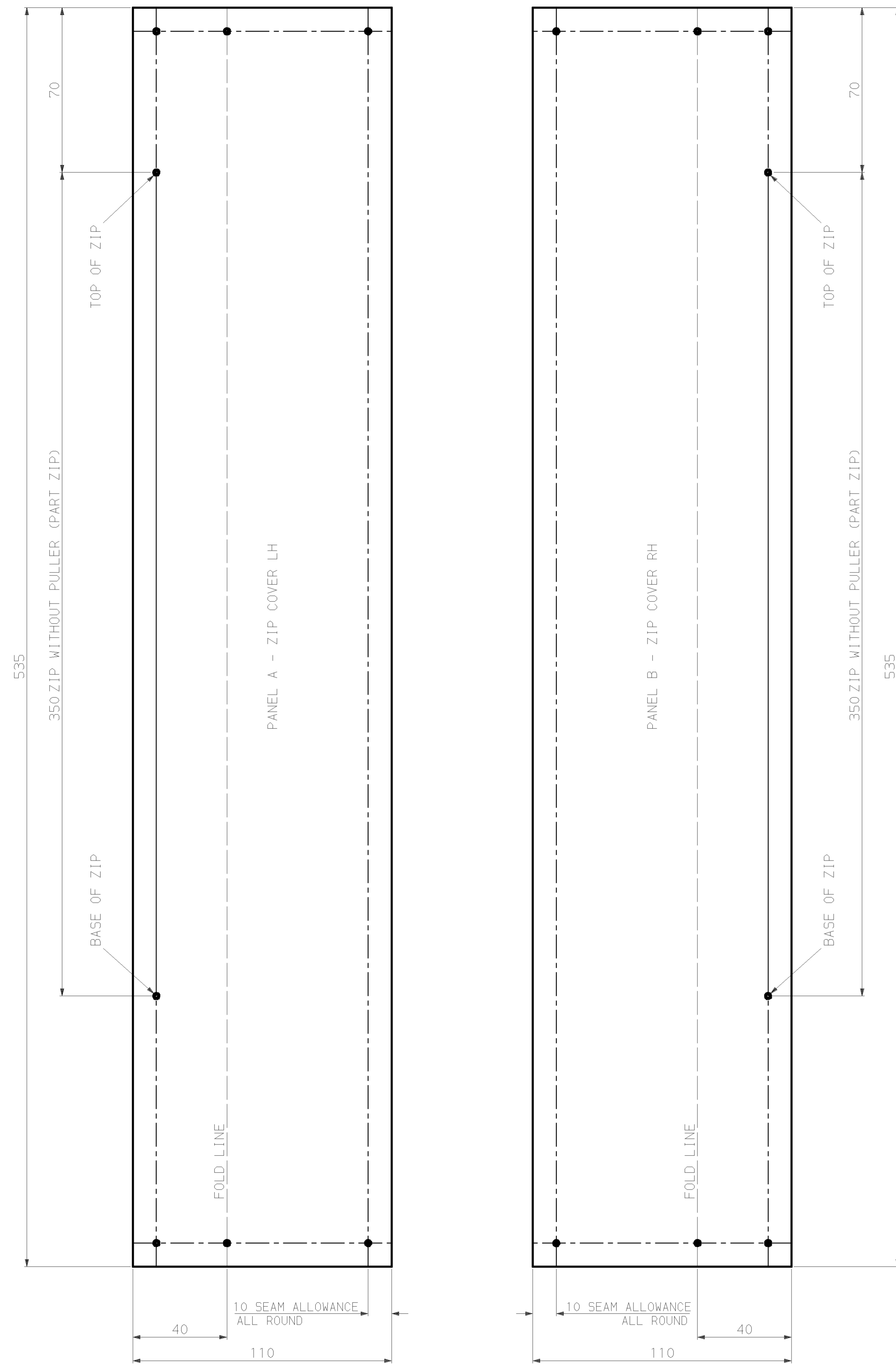
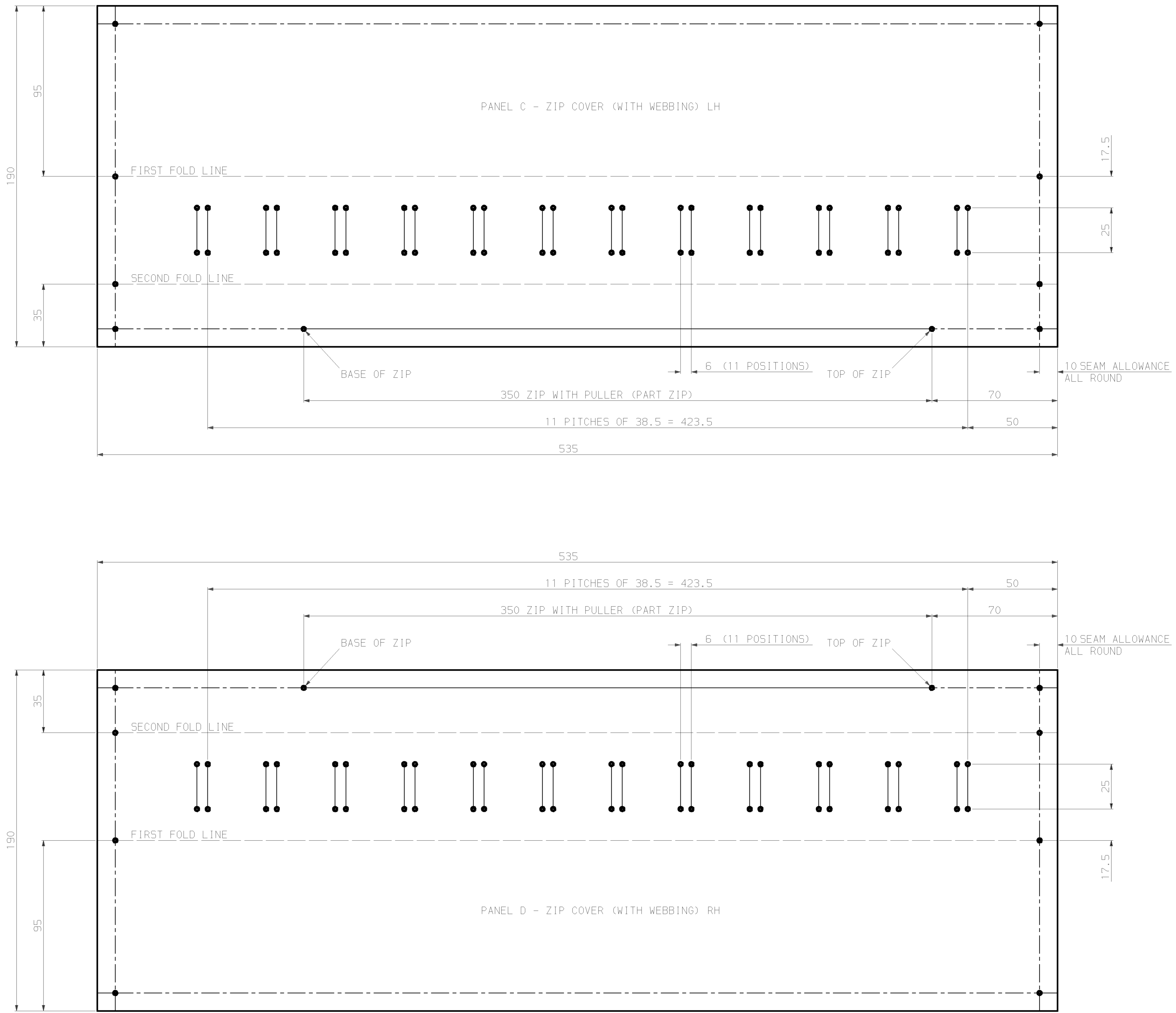
REDRAWN AT ISSUE 4										CERTIFIED		MATERIAL		TOLERANCES		DIMENSIONS IN		CONTRACTOR		CLASSIFICATION	
APPROVED M.KILBURN										G.FULLAGAR		NONE		NONE		MILLIMETRES		A0-8689		CONTRACTORS DRAWING NO.	
CHECKED JWR										APPROVED FOR INSPECTION		FINISH		REFERENCE No		ORIGINAL SCALE		TITLE		DRAWING NO.	
DRAWN JWR										R.LAZENBY		NONE		A/S 2450		1:1		RUCKSACK LONG AND SHORT 90 PATTERN SHOULDER STRAP PANELS A TO E		A0/8689	
ISSUE DATE MOD NO. ISSUE DATE MOD NO. ISSUE DATE MOD NO. ISSUE DATE MOD NO.																		NSN *		SHEET No 1 OF 1	



CUTTING LINE ———
 SEAM LINE - - - - -
 FOLD LINE - · - · -
 LOCATION FOR PARTS ● OR ◆

REDRAWN AT ISSUE 3										CERTIFIED		MATERIAL		TOLERANCES		DIMENSIONS IN		CONTRACTOR		CLASSIFICATION	
APPROVED M. KILBURN										G. FULLAGAR		NONE		NONE		MILLIMETRES		A0-8691		CONTRACTORS DRAWING NO.	
CHECKED JWR										APPROVED FOR INSPECTION		FINISH		REFERENCE No		ORIGINAL SCALE		TITLE		DRAWING NO.	
DRAWN JWR										R. LAZENBY		NONE		A/S 2450-7		1:1		RUCKSACK LONG 90 PATTERN, BACK INNER AND SLEEVE FRAME POCKET PANELS		A0/8691	
ISSUE DATE MOD NO. ISSUE DATE MOD NO. ISSUE DATE MOD NO. ISSUE DATE MOD NO.																		NSN *		SHEET No 1 OF 1	

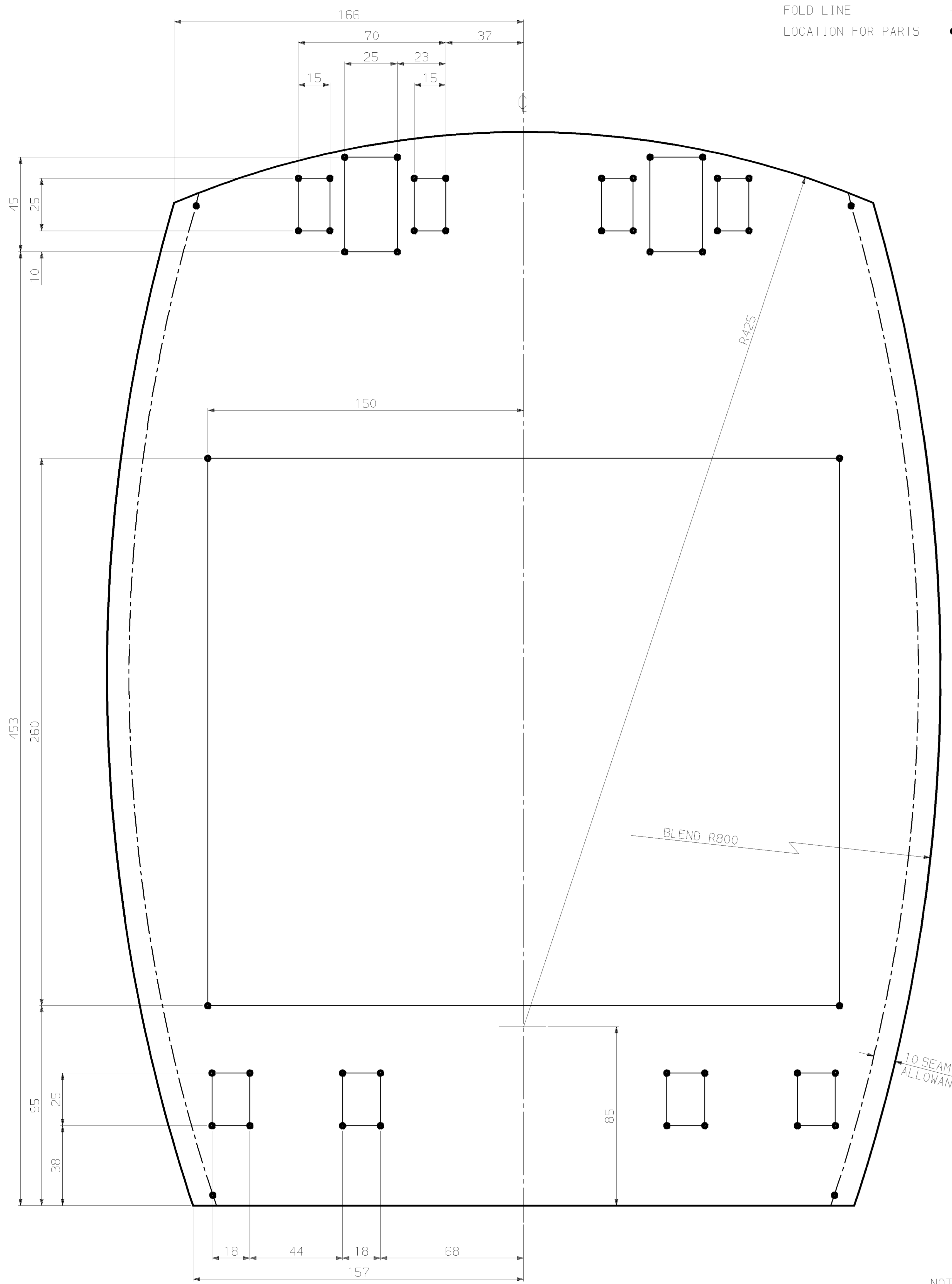
CUTTING LINE
 SEAM LINE
 FOLD LINE
 LOCATION FOR PARTS



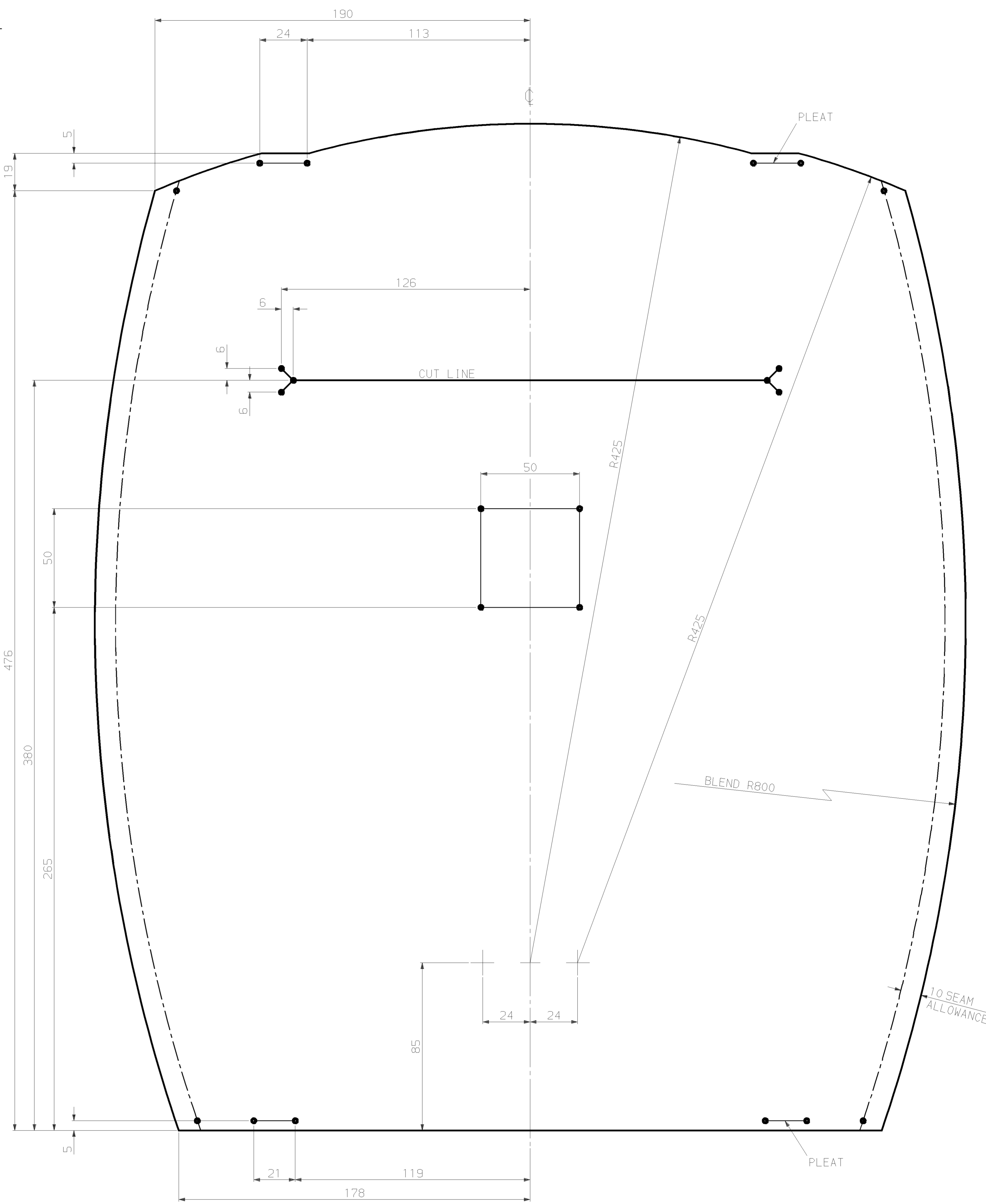
REDRAWN AT ISSUE 3

APPROVED M. KILBURN										CERTIFIED G. FULLAGAR	MATERIAL NONE	TOLERANCES NONE UNLESS OTHERWISE STATED	DIMENSIONS IN MILLIMETRES	CONTRACTOR AO-8696	CLASSIFICATION CONTRACTORS DRAWING NO.
CHECKED JWR										APPROVED FOR INSPECTION R. LAZENBY	FINISH NONE	REFERENCE No A/S 2450	ORIGINAL SCALE 1:1	TITLE RUCKSACK LONG 90 PATTERN ZIP COVER PANELS	DRAWING NO. AO/8696
DRAWN JWR	3	25-07-05	CS 2329												SHEET No 1 OF 1
	ISSUE	DATE	MOD NO.	ISSUE	DATE	MOD NO.	ISSUE	DATE	MOD NO.						

CUTTING LINE
 SEAM LINE
 FOLD LINE
 LOCATION FOR PARTS



PANEL A
TOP LID, OUTER



PANEL B
TOP LID, INNER

NOTE:
DIMENSIONS FOR BOTH PANELS
SYMETRICAL ABOUT ϕ .

REDRAWN AT ISSUE 3

APPROVED	M. KILBURN								
CHECKED	JWR								
DRAWN	JWR	3	25-07-05	CS 2329					
		ISSUE	DATE	MOD NO.	ISSUE	DATE	MOD NO.	ISSUE	DATE

CERTIFIED	G. FULLAGAR
APPROVED FOR INSPECTION	R. LAZENBY

MATERIAL	NONE
FINISH	NONE

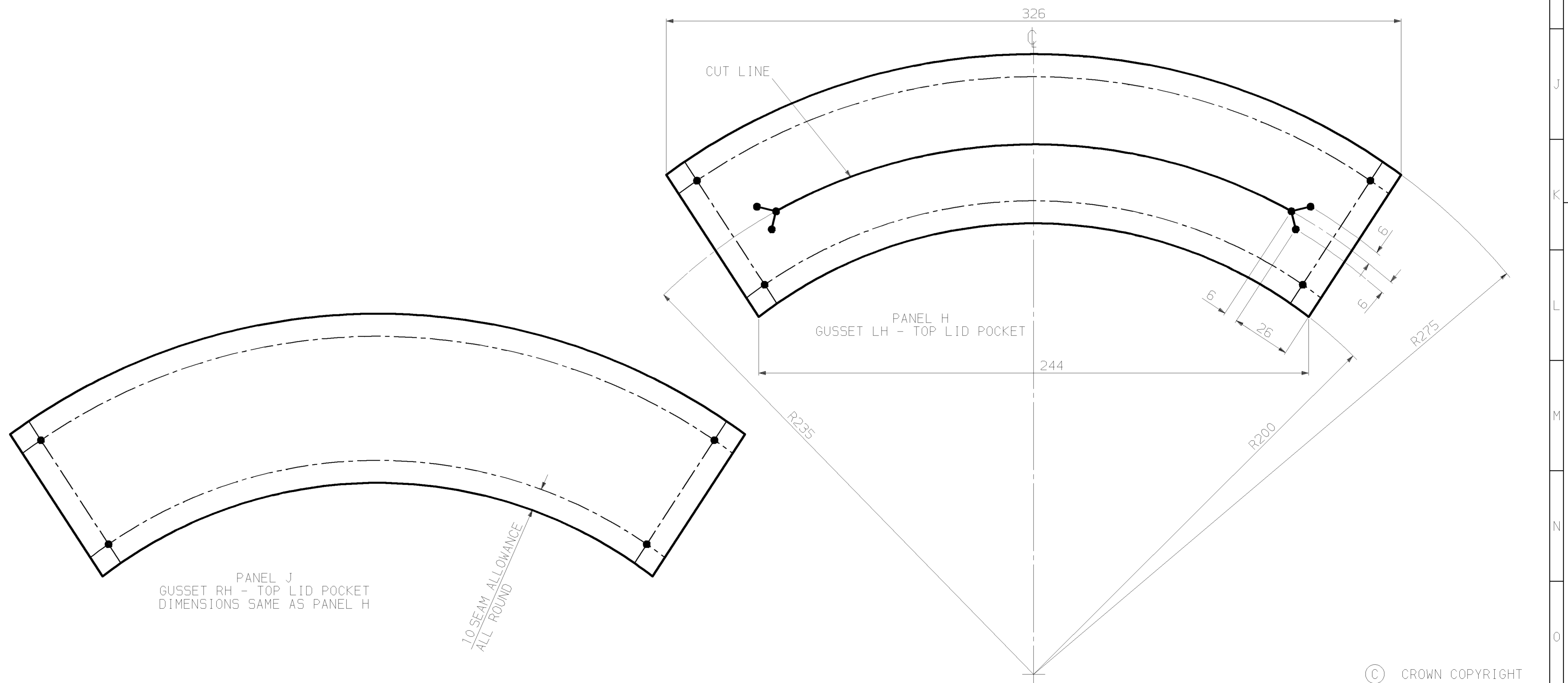
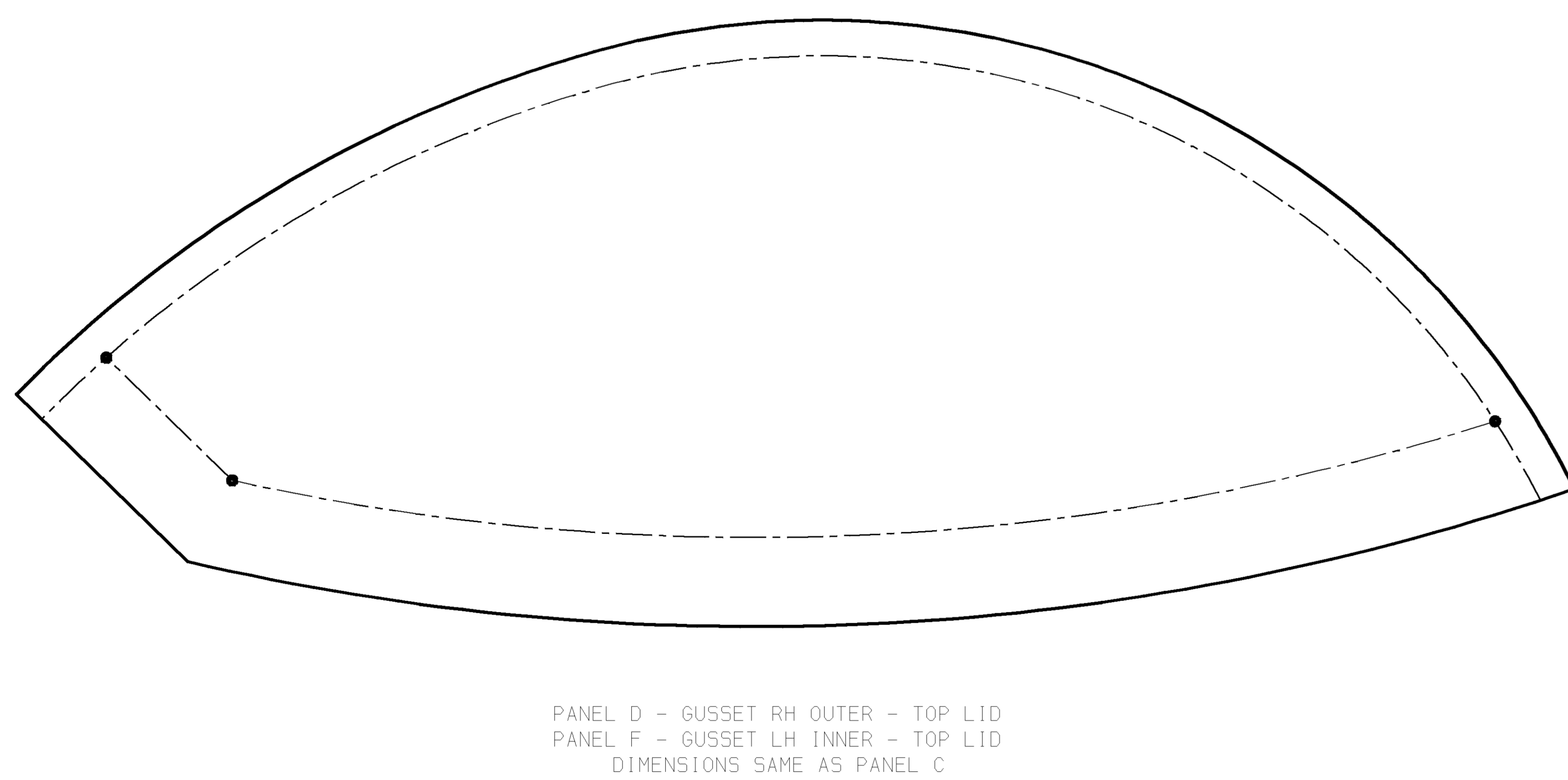
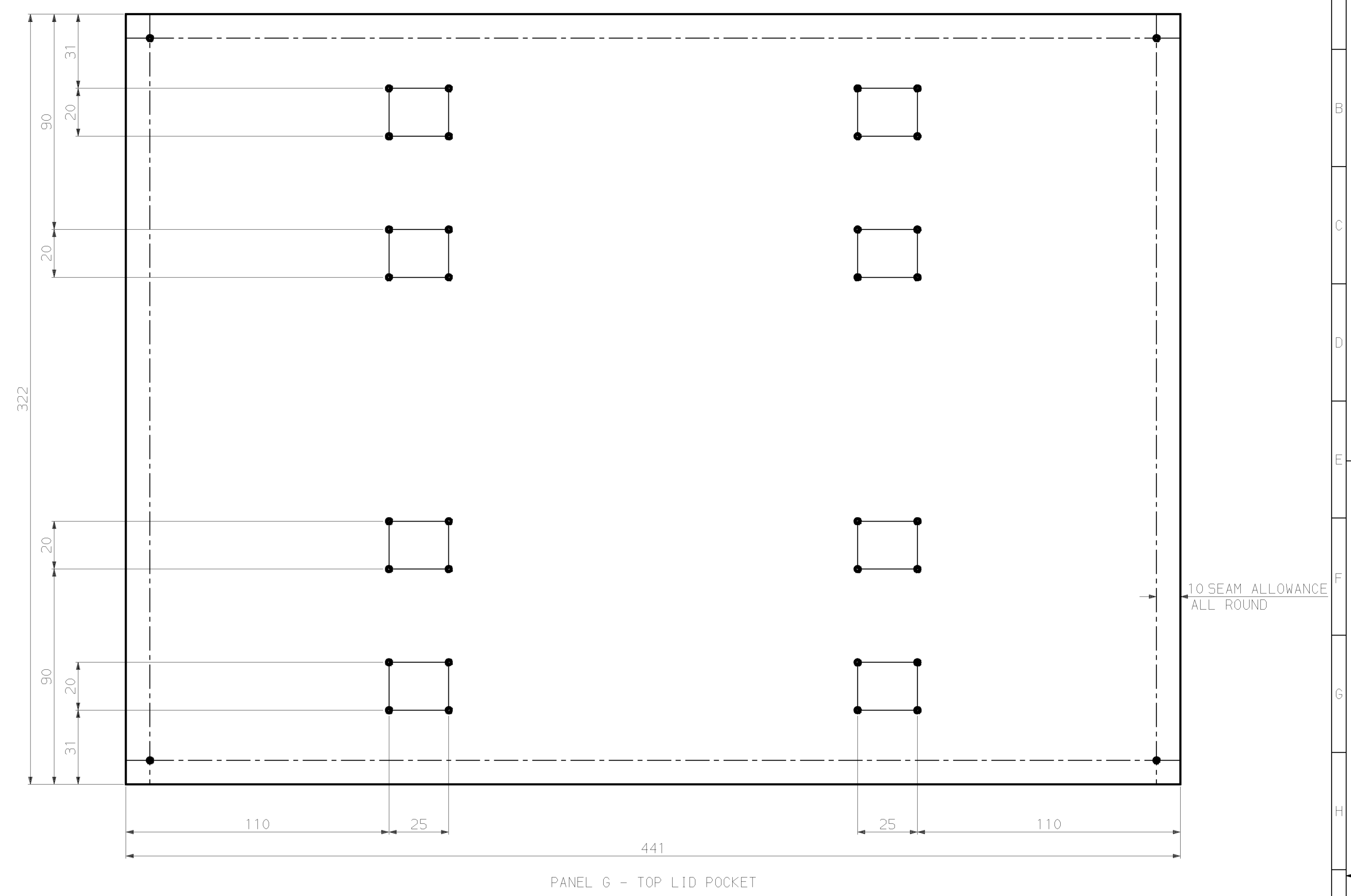
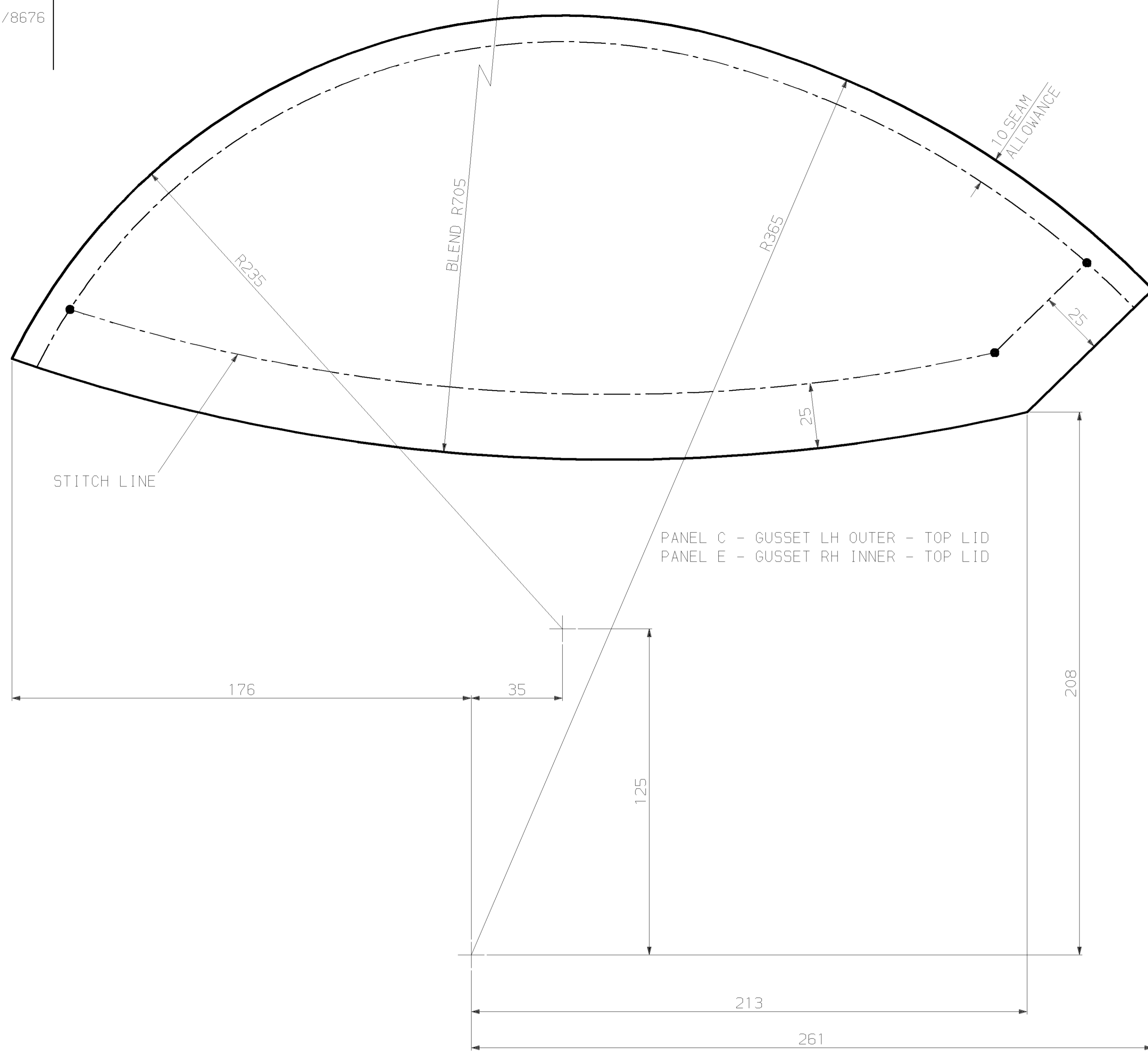
TOLERANCES	NONE UNLESS OTHERWISE STATED
REFERENCE No	A/S 2450

DIMENSIONS IN	MILLIMETRES
ORIGINAL SCALE	1:1

CONTRACTOR	AO-8697
TITLE	RUCKSACK LONG AND SHORT 90 PATTERN TOP LID OUTER AND INNER PANELS

CLASSIFICATION	CONTRACTORS DRAWING NO.
DRAWING NO.	A0/8697
SHEET	No 1 OF 1

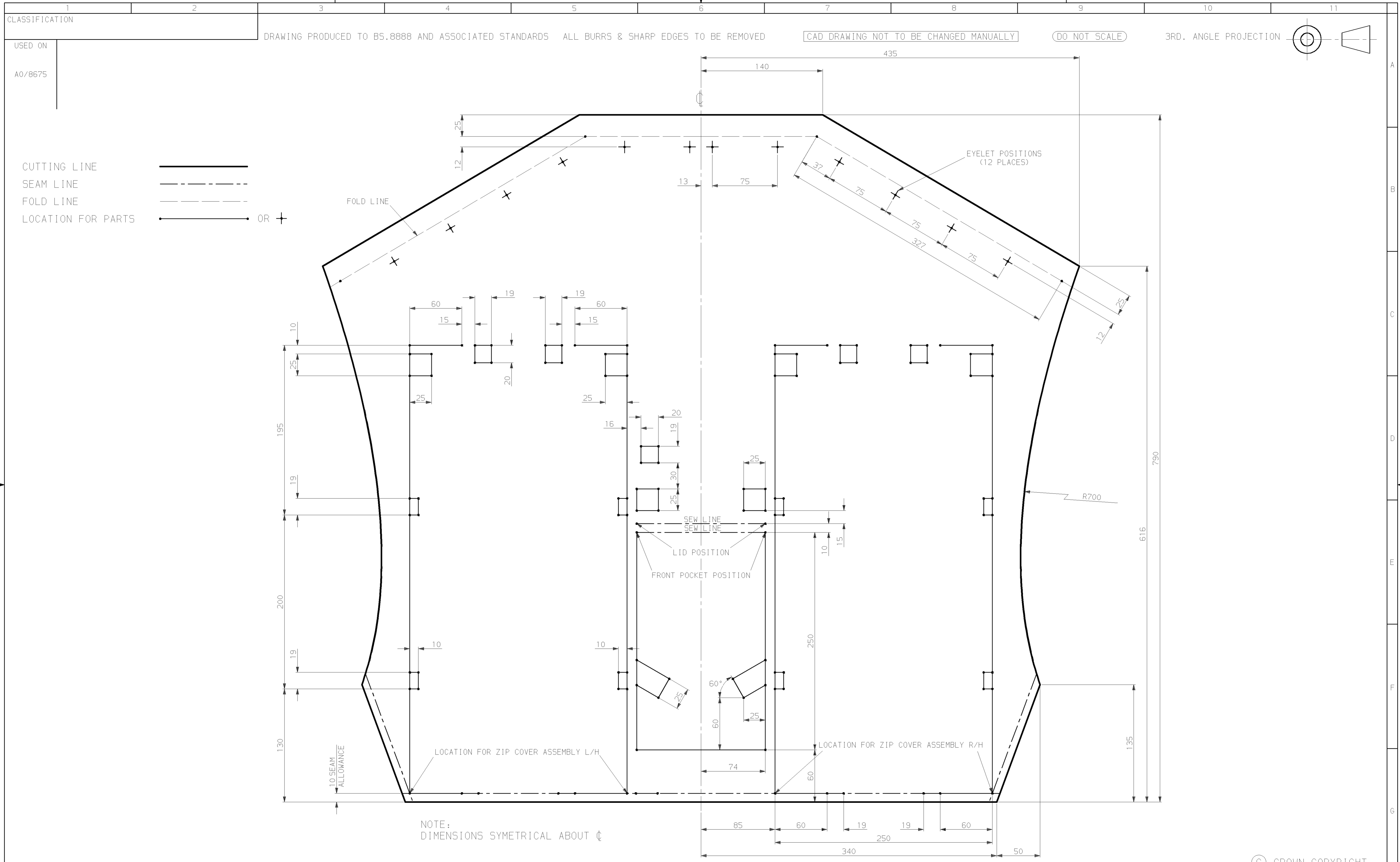
© CROWN COPYRIGHT



CUTTING LINE
 SEAM LINE
 FOLD LINE
 LOCATION FOR PARTS

REDRAWN AT ISSUE 3

APPROVED	M. KILBURN	CERTIFIED	G. FULLAGAR	MATERIAL	NONE	TOLERANCES	NONE	DIMENSIONS IN	MILLIMETRES	CONTRACTOR	A0-8698	CLASSIFICATION	
CHECKED	JWR	APPROVED FOR INSPECTION	R. LAZENBY	FINISH	NONE	UNLESS OTHERWISE STATED	REFERENCE No	ORIGINAL SCALE	1:1	DEFENCE CLOTHING IPT (DLO CAVERSFIELD)		CONTRACTORS DRAWING NO.	
DRAWN	JWR	ISSUE	3	DATE	25-07-05	MOD NO.	CS 2329			TITLE	RUCKSACK LONG AND SHORT 90 PATTERN TOP LID PANELS		DRAWING NO.
		ISSUE		DATE		MOD NO.		ISSUE		NSN *			A0/8698
													SHEET No 1 OF 1



APPROVED M. KILBURN							MATERIAL NONE	TOLERANCES NONE	DIMENSIONS IN MILLIMETRES	CONTRACTOR A1-8695	CLASSIFICATION
CHECKED JWR							FINISH NONE	UNLESS OTHERWISE STATED	ORIGINAL SCALE 1:2	DEFENCE CLOTHING IPT (DLO CAVERSFIELD)	CONTRACTORS DRAWING NO.
DRAWN JWR	3	25-07-05	C5 2329				CERTIFIED G. FULLAGAR	APPROVED FOR INSPECTION R. LAZENBY	REFERENCE No A/S 2450	TITLE RUCKSACK LONG 90 PATTERN FRONT PANEL	DRAWING NO. A1/8695
	ISSUE	DATE	MOD NO.	ISSUE	DATE	MOD NO.				NSN *	SHEET No 1 OF 1

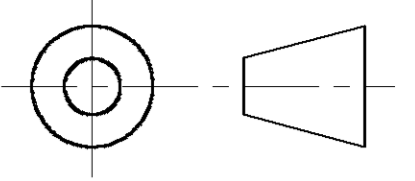
CLASSIFICATION

DRAWING PRODUCED TO BS.8888 AND ASSOCIATED STANDARDS ALL BURRS & SHARP EDGES TO BE REMOVED

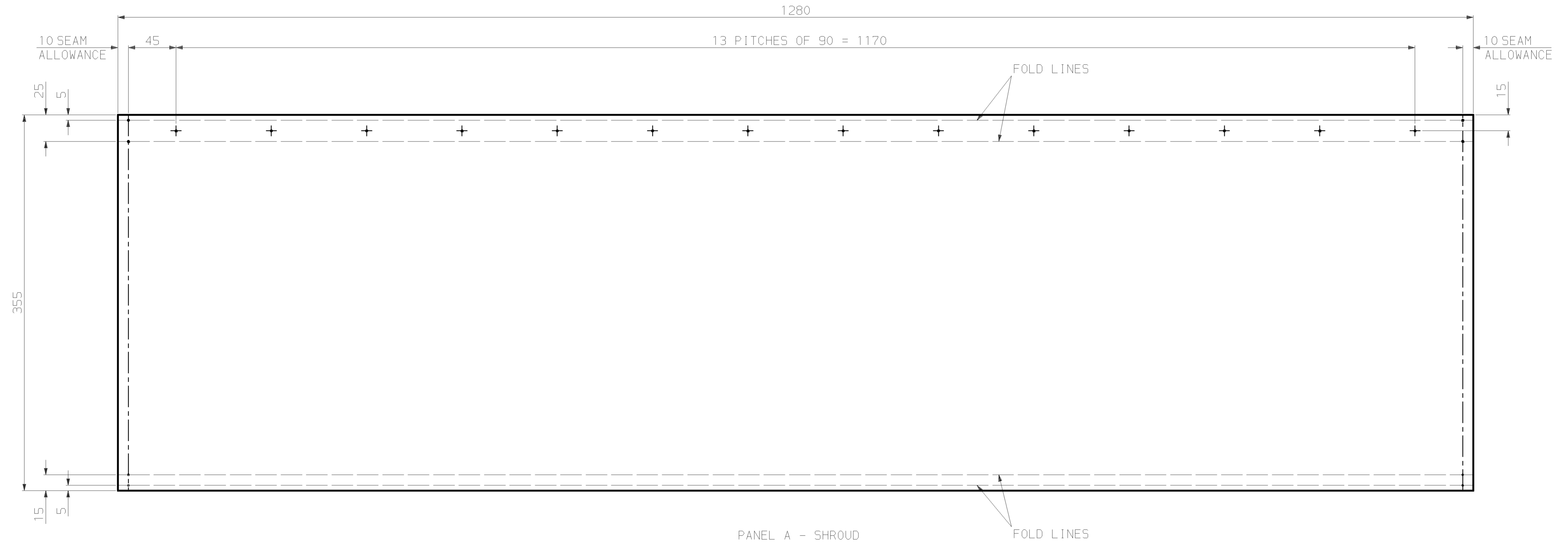
CAD DRAWING NOT TO BE CHANGED MANUALLY

DO NOT SCALE

3RD. ANGLE PROJECTION



USED ON
A1/8678



CUTTING LINE ———
SEAM LINE - - - - -
FOLD LINE - · - · -
LOCATION FOR PARTS ● ——— ● OR +

REDRAWN AT ISSUE 4

© CROWN COPYRIGHT

APPROVED M. KILBURN						MATERIAL NONE	TOLERANCES NONE	DIMENSIONS IN MILLIMETRES	CONTRACTOR A1-8699	CLASSIFICATION CONTRACTORS DRAWING NO.
CHECKED JWR						FINISH NONE	UNLESS OTHERWISE STATED	ORIGINAL SCALE 1:2	DEFENCE CLOTHING IPT (DLO CAVERSFIELD)	DRAWING NO. A1/8699
DRAWN JWR	4	25-07-05	C5 2329			CERTIFIED G. FULLAGAR	APPROVED FOR INSPECTION R. LAZENBY	REFERENCE No A/S 2450	TITLE RUCKSACK LONG 90 PATTERN SHROUD PANEL	SHEET No 1 OF 1
	ISSUE	DATE	MOD NO.	ISSUE	DATE	MOD NO.			NSN *	