



FOR OFFICIAL USE ONLY
CROWN COPYRIGHT RESERVED

CONDITIONS OF RELEASE

1. ~~This information is released by the UK Government for Defence purposes only.~~
2. ~~This information must be accredited the same degree of security protection as that accorded thereto by the UK Government.~~
3. ~~This information may be disclosed only within the Defence department of the recipient Government, except as otherwise authorized by the Ministry of Defence (Army).~~
4. This information may be subject to privately owned rights.

**TRUCK UTILITY LIGHT (TUL) HS,
TRUCK UTILITY MEDIUM (TUM) HS,
AND (TUM) AMBULANCE HS,
DEFENDER XD - ALL VARIANTS**

COMMERCIAL PARTS LIST

BY COMMAND OF THE DEFENCE COUNCIL

Ministry of Defence
Issued by
ARMY TECHNICAL SUPPORT AGENCY
DIRECTORATE OF TECHNICAL SERVICES



AMENDMENT RECORD

Amdt No.	Incorporated By (Signature)	Date
1		
2		
3		
4		
5		
6		
7		
8		
9		
10		
11		
12		
13		
14		
15		
16		
17		
18		
19		
20		
21		
22		
23		
24		
25		
26		
27		
28		
29		
30		
31		

Amdt No.	Incorporated By (Signature)	Date
32		
33		
34		
35		
36		
37		
38		
39		
40		
41		
42		
43		
44		
45		
46		
47		
48		
49		
50		
51		
52		
53		
54		
55		
56		
57		
58		
59		
60		
61		
62		



CONTENTS

PRELIMINARY MATERIAL

	Page
Front Cover (title page)	(i)/(ii)
Conditions of release	(i)/(ii)
Amendment Record	(iii)/(iv)
Contents (this list)	(v)
Preface	(vi)
Introduction	(vi)
Related and Associated Publications	(vi)
Related publications	(vi)
Associated Publications	(vii)
Equipment Identity	(viii)
List of abbreviations and symbols	(xi)
Comment on AESP (Form 10)	(Penultimate leaf)
AESP Customer registration form	(Final leaf)

COMMERCIAL PARTS LIST

Chapter

- 1 Land Rover Parts List STC9038FF for Truck Utility Light (TUL) HS, Truck Utility Medium (TUM) HS, and (TUM) Ambulance HS, Defender XD - All Variants

Annex

- A. A cross-reference list to commercial parts lists contained in text.

PREFACE

**Sponsor : DDOR (Armr & CSV)
Publication Agency : Army Technical Support Agency**

INTRODUCTION

1 Service users should forward any comments on this publication through the channels prescribed in AESP 0100-P-011-013. An AESP Form 10 is provided at the end of this publication; it should be photocopied and used for forwarding comments on this AESP.

2 AESPs are issued under Defence Council authority and where AESPs specify action to be taken, the AESP will of itself be sufficient authority for such action and also for the demanding of the necessary stores, subject to the provisions of Para 3 below.

3 The subject matter of this publication may be affected by Defence Council Instructions (DCIs), Standing Operating Procedures (SOPs) or by local regulations. When any such Instruction, order or regulation contradicts any portion of this publication it is to be taken as the overriding authority.

RELATED AND ASSOCIATED PUBLICATIONS

Related publications

4 The Octad for the subject equipment consists of the publications shown overleaf. All references are prefixed with the first eight digits of this publication. The availability of the publications can be checked by reference to the relevant Group Index (see AESP 0100-A-001-013).

EQUIPMENT IDENTITY

6 This publication covers the following :-

SERIAL NO.	CONTRACT NO.	NOMENCLATURE	NSN	ASSET CODE
1	LV2B/179	AMBULANCE BATTLEFIELD (HS) 4 STRETCHER 4X4 LAND ROVER 2.5 LTR TURBO DIESEL (WITHOUT EEGR)	2310-99-893-9746	NB 1047 3100
2	LV2B/179	AMBULANCE BATTLEFIELD (HS) 4 STRETCHER 4X4 LAND ROVER 2.5 LTR TURBO DIESEL (WITH EEGR)	2310-99-893-9971	NB 1047 3101
3	LV2B/179	AMBULANCE BATTLEFIELD (HS) 4 STRETCHER 4X4 LAND ROVER 2.5 LTR TURBO DIESEL (WITH EEGR)	2310-99-893-9970	NB 1047 8100
4	LV2B/179	AMBULANCE BATTLEFIELD (HS) 4 STRETCHER 4X4 (WINTERISED/SEMI WATERPROOFED) LAND ROVER 2.5 LTR TURBO DIESEL (WITH EEGR)	2310-99-908-5445	NB 1048 3100
5	LV2B/179	AMBULANCE BATTLEFIELD (HS) 4 STRETCHER 4X4 TROPICALISED LAND ROVER 2.5 LTR TURBO DIESEL (WITH EEGR)	2310-99-908-5446	NB 1049 3100
6	LV2A/088	TRUCK UTILITY LIGHT (HS) GS ST (WINTERISED/WATERPROOFED) LAND ROVER 2.5 LTR TURBO DIESEL (WITH EEGR)	2320-99-893-9933	NB 4219 3100
7	LV2A/088	TRUCK UTILITY LIGHT (HS) GS CARGO ST 4X4 LAND ROVER 2.5 LTR TURBO DIESEL (WITH EEGR)	2320-99-893-9741	NB 4220 3100
8	LV2A/088	TRUCK UTILITY LIGHT (HS) GS ST LAND ROVER 2.5 LTR TURBO DIESEL (WITH EEGR)	2320-99-893-9964	NB 4220 8100
9	LV2A/088	TRUCK UTILITY LIGHT (HS) GS HT LAND ROVER 2.5 LTR TURBO DIESEL (WITH EEGR)	2320-99-893-9934	NB 4223 3100
10	LV2A/088	TRUCK UTILITY LIGHT (HS) FFR HT 4X4 LAND ROVER 2.5 LTR TURBO DIESEL (WITH EEGR)	2320-99-893-9742	NB 4225 3100
11	LV2A/088	TRUCK UTILITY LIGHT (HS) FFR HT 4X4 LAND ROVER 2.5 LTR TURBO DIESEL (WITH EEGR)	2320-99-893-9965	NB 4225 8100
12	LV2A/088	TRUCK UTILITY LIGHT (HS) FFR HT (WINTERISED/WATERPROOFED) LAND ROVER 2.5 LTR TURBO DIESEL (WITH EEGR)	2320-99-893-9935	NB 4226 3100

SERIAL NO.	CONTRACT NO.	NOMENCLATURE	NSN	ASSET CODE
13	LV2A/088	TRUCK UTILITY LIGHT (HS) FFR ST 4X4 LAND ROVER 2.5 LTR TURBO DIESEL (WITH EEGR)	2320-99-893-9936	NB 4228 3100
14	LV2A/088	TRUCK UTILITY LIGHT (HS) FFR ST (WINTERISED/WATERPROOFED) LAND ROVER 2.5 LTR TURBO DIESEL (WITH EEGR)	2320-99-893-9937	NB 4229 3100
15	LV2A/088	TRUCK UTILITY LIGHT (HS) FFR ST 4X4 AIR DROP LAND ROVER 2.5 LTR TURBO DIESEL (WITH EEGR)	2320-99-908-5442	NB 4232 3100
16	LV2A/088	TRUCK UTILITY MEDIUM (HS) GS HT (WINTERISED/WATERPROOFED) LAND ROVER 2.5 LTR TURBO DIESEL (WITH EEGR)	2320-99-893-9938	NB 5008 3100
17	LV2A/088	TRUCK UTILITY MEDIUM (HS) GS ST (WINTERISED/WATERPROOFED) LAND ROVER 2.5 LTR TURBO DIESEL (WITH EEGR)	2320-99-893-9939	NB 5009 3100
18	LV2A/088	TRUCK UTILITY MEDIUM (HS) GS ST 4X4 LAND ROVER 2.5 LTR TURBO DIESEL (WITHOUT EEGR)	2320-99-893-9743	NB 5010 3100
19	LV2A/088	TRUCK UTILITY MEDIUM (HS) GS ST 4X4 LAND ROVER 2.5 LTR TURBO DIESEL (WITH EEGR)	2320-99-893-9963	NB 5010 3101
20	LV2A/088	TRUCK UTILITY MEDIUM (HS) GS ST 4X4 LAND ROVER 2.5 LTR TURBO DIESEL (WITH EEGR)	2320-99-893-9966	NB 5010 8100
21	LV2A/088	TRUCK UTILITY MEDIUM (HS) GS ST 4X4 WMIK LAND ROVER 2.5 LTR TURBO DIESEL (WITH EEGR)	2320-99-908-5443	NB 5012 3100
22	LV2A/088	TRUCK UTILITY MEDIUM (HS) GS HT 4X4 LAND ROVER 2.5 LTR TURBO DIESEL (WITH EEGR)	2320-99-893-9940	NB 5017 3100
23	LV2A/088	TRUCK UTILITY MEDIUM (HS) GS HT 4X4 LAND ROVER 2.5 LTR TURBO DIESEL (WITH EEGR)	2320-99-893-9967	NB 5017 8100
24	LV2A/088	TRUCK UTILITY MEDIUM (HS) FFR HT 4X4 LAND ROVER 2.5 LTR TURBO DIESEL (WITH EEGR)	2320-99-893-9744	NB 5020 3100
25	LV2A/088	TRUCK UTILITY MEDIUM (HS) FFR HT 4X4 LAND ROVER 2.5 LTR TURBO DIESEL (WITH EEGR)	2320-99-893-9968	NB 5020 8100

SERIAL NO.	CONTRACT NO.	NOMENCLATURE	NSN	ASSET CODE
26	LV2A/088	TRUCK UTILITY MEDIUM (HS) FFR HT (WINTERISED/WATERPROOFED) LAND ROVER 2.5 LTR TURBO DIESEL (WITH EEGR)	2320-99-893-9941	NB 5021 3100
27	LV2A/088	TRUCK UTILITY MEDIUM (HS) FFR ST 4X4 WMIK LAND ROVER 2.5 LTR TURBO DIESEL (WITH EEGR)	2320-99-908-5444	NB 5030 3100
28	LV2A/088	TRUCK UTILITY MEDIUM (HS) FFR ST 4X4 LAND ROVER 2.5 LTR TURBO DIESEL (WITH EEGR)	2320-99-893-9745	NB 5031 3100
29	LV2A/088	TRUCK UTILITY MEDIUM (HS) FFR ST 4X4 LAND ROVER 2.5 LTR TURBO DIESEL (WITH EEGR)	2320-99-893-9969	NB 5031 8100

LIST OF ABBREVIATIONS

A	ampere
ac	alternating current
A/F	across flats
Ah	Ampere hour
ANC	American National Coarse Thread
ANF	American National Fine Thread
ANP	American National Pipe Thread
ANPT	American National Pipe Taper Thread
AR	as required
assy	assembly
BA	British Association Screw Thread
BC	bayonet cap
BSF	British Standard Fine Thread
BSP	British Standard Pipe Thread
BSPP	British Standard Pipe Parallel Thread
BSPT	British Standard Pipe Taper Thread
BSW	British Standard Whitworth Thread
C	Celsius (Centigrade)
cc	cubic centimetre(s)
c to c	centre to centre
ch	cheese
CH	chassis
CI	cast iron
circ	circumference
contd	continued
crs	Corrosion resistant steel
c/s	cycles per second
csk	countersunk
Cts	Contracts
cu	copper
cu in.	cubic inch(s)
c/w	complete with
dc	direct current
deg.	degree(s)
dia	diameter
dim	dimensions(s)
dpdt	double pole, double throw
dpst	double pole, single throw
Eng	engine
ext	external
F	Fahrenheit
ft	foot (feet)
gal	gallon
galv	galvanised
gm	gramme
h	high (height)
hd	head
hex	hexagon
HT	high tension
id	internal diameter
in.	inch
int	internal
IPC	Illustrated Parts Catalogue
KPH	Kilometres per hour
lg	long (length)
lh	left hand
LHD	left hand drive
LM	Local manufacture

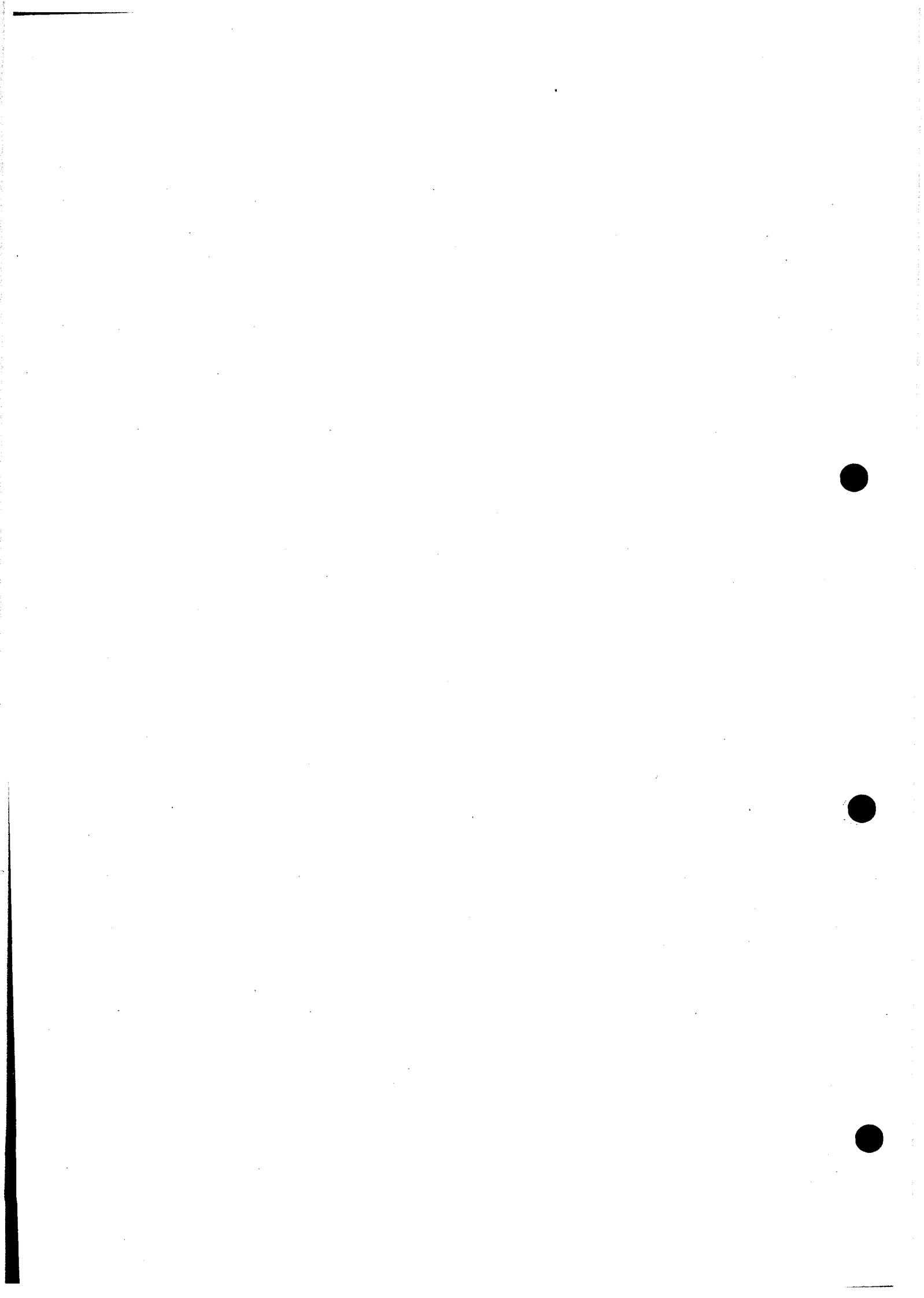
LIST OF ABBREVIATIONS - contd

m.....	metre(s)
max.....	maximum
MCC.....	miniature centre contact
MES.....	miniature Edison screw
min.....	minimum
mm.....	millimetre(s)
MPH.....	miles per hour
mtd.....	mounted
mtg.....	mounting
mtl.....	material
neg.....	negative
NI.....	not illustrated
No.....	number
NP.....	Non-Provisioned
NPTF.....	American Standard Taper Pipe Thread
o/a.....	overall
od.....	outside diameter
PI.....	plated
pos.....	positive
psi.....	pounds per square inch
PTFE.....	polytetrafluoroethylene
PVC.....	polyvinyl chloride
qty.....	quantity
RAF.....	Royal Air Force
Ref.....	Reference
rev/min.....	revolution per minute
rd hd.....	round head
rh.....	right hand
RHD.....	right hand drive
SBC.....	single bayonet cap
SCC.....	single centre contact
sect.....	section
SI.....	Systeme International (thread)
spdt.....	single pole, double throw
spst.....	single pole, single throw
sq.....	square
std.....	standard
SWL.....	Safe Working Load
syn.....	synthetic
temp.....	temperature
thd.....	thread
thk.....	thick(ness)
tpi.....	threads per inch
UNC.....	Unified Coarse Thread
UNF.....	Unified Fine Thread
UNS.....	Unified Special Thread
u/o.....	used on
u/w.....	used with
V.....	volts
veh.....	vehicle(s)
W.....	watt(s)
w.....	width
w/.....	with
w/o.....	without
Whit.....	Whitworth
Zn.....	Zinc

CHAPTER 1

Parts List for the

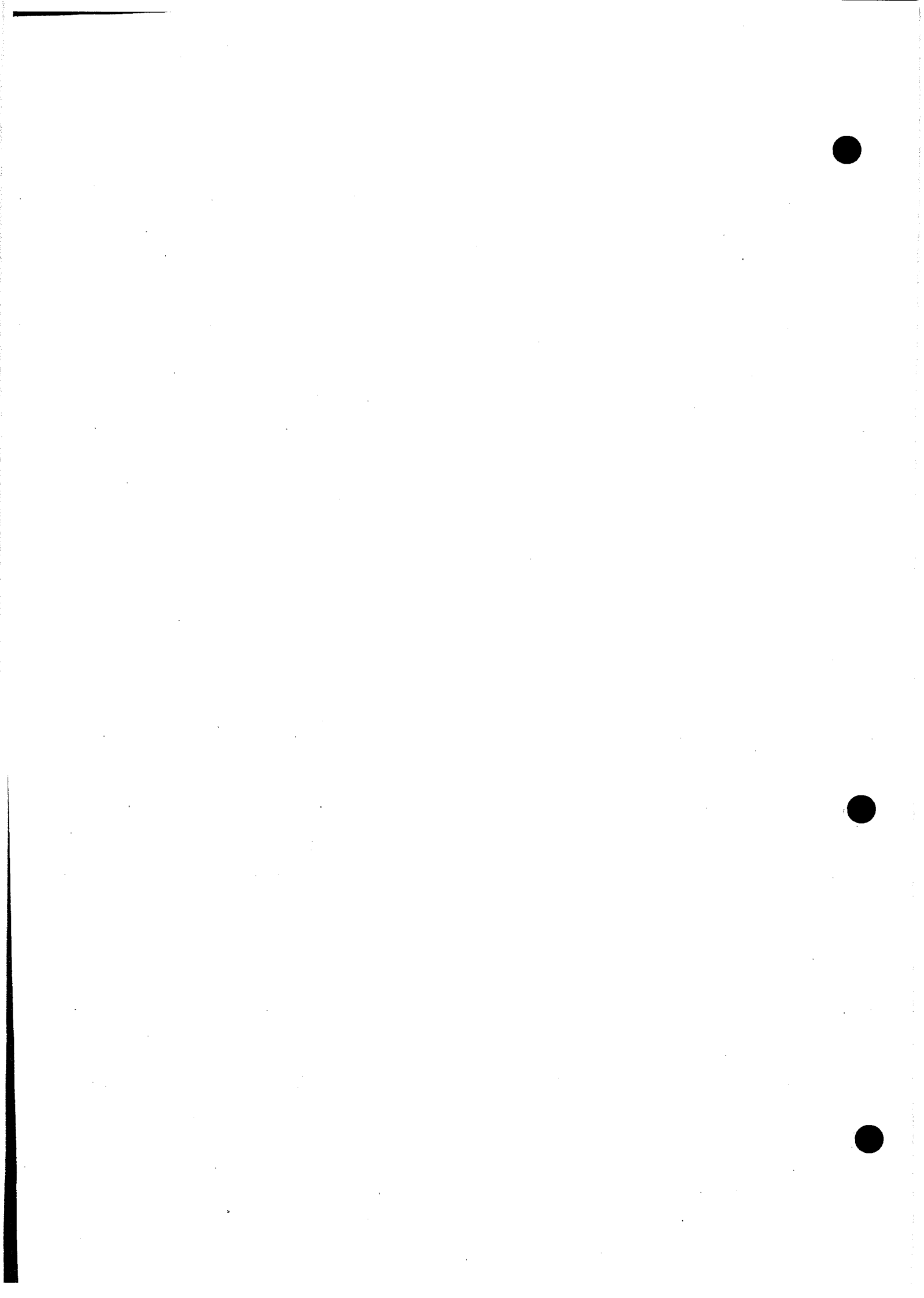
TRUCK UTILITY LIGHT (TUL) HS, TRUCK UTILITY MEDIUM (TUM) HS, AND (TUM) AMBULANCE HS, DEFENDER XD - ALL VARIANTS



ANNEX A

Cross Reference List for the

**TRUCK UTILITY LIGHT (TUL) HS,
TRUCK UTILITY MEDIUM (TUM) HS,
AND (TUM) AMBULANCE HS,
DEFENDER XD - ALL VARIANTS**



I T E M N O	Mfr Part Number	Catalogue Number	Item Name	Remarks
1	AAM222L	6MT4/2540-99-052-3876	PLUG, SWITCH APERTURE	
2	AAP876	7RU/2540-99-721-4409	CABLE ASSEMBLY, CONTROL	
3	AAU2304	7XD/5330-99-100-7923	SEAL, PLAIN	
4	AAU3686	7RU/5975-99-787-7254	STRAP, TIE DOWN	
5	AAU6774	7XD/2590-99-225-6987	COLLAR	
6	AAU710010	7XDW/5340-99-573-6224	BRACKET, MOUNTING	
7	AAU7803	7RU/2530-99-758-3378	CLIP, PIPE	
8	AAU7897	46MT3/6220-99-803-3384	LENS, LIGHT	
9	AAU8276	7RU/2590-99-777-5300	KEY	
10	AAU9902	6MT12/5330-99-829-2704	GASKET	
11	AAU9903	6MT12/5330-99-829-2705	GASKET	
12	AA606044L	G1/5305-99-977-1029	SCREW, TAPPING, THREAD FORMING	
13	ABB710020	7XDW/2510-99-573-6226	PANEL, BODY, VEHICULAR	
14	ABG710020	7XDW/2510-99-312-4028	PANEL, BODY, VEHICULAR	
15	ABU710080	7XDW/5340-99-573-6227	BRACKET, MOUNTING	
16	AB604051L	7XD/5305-99-731-8279	SCREW, TAPPING, THREAD FORMING	
17	AB606031	G1/5305-99-788-7255	SCREW, TAPPING, THREAD FORMING	
18	AB606031L	G1/5305-99-788-7255	SCREW, TAPPING, THREAD FORMING	
19	AB606041L	G1/5305-99-950-4416	SCREW, TAPPING, THREAD FORMING	
20	AB606044L	G1/5305-99-788-7256	SCREW, TAPPING, THREAD FORMING	
21	AB606051	G1/5305-99-977-3251	SCREW, TAPPING, THREAD FORMING	
22	AB606051L	G1/5305-99-977-3251	SCREW, TAPPING, THREAD FORMING	
23	AB606057	7XD/5305-99-977-2586	SCREW, TAPPING, THREAD FORMING	
24	AB606065L	7XD/5305-99-186-8856	SCREW, TAPPING, THREAD FORMING	
25	AB606084	G1/5305-99-788-7258	SCREW, TAPPING, THREAD FORMING	
26	AB608031L	7XD/5305-99-809-0434	SCREW	
27	AB608044	G1/5305-99-977-3255	SCREW, TAPPING, THREAD FORMING	
28	AB608044L	G1/5305-99-977-3255	SCREW, TAPPING, THREAD FORMING	
29	AB608047L	7RU/5305-99-829-4335	SCREW, TAPPING, THREAD FORMING	
30	AB608051	G1/5305-99-977-3256	SCREW, TAPPING, THREAD FORMING	
31	AB608051L	G1/5305-99-977-3256	SCREW, TAPPING, THREAD FORMING	
32	AB608054L	7RU/5305-99-008-0837	SCREW	
33	AB608055L	7XD/5305-99-370-9072	SCREW, TAPPING, THREAD FORMING	

I T E M N O	Mfr Part Number	Catalogue Number	Item Name	Remarks
34	AB608061	G1/5305-99-135-2345	SCREW, TAPPING, THREAD FORMING	
35	AB608061L	G1/5305-99-977-3257	SCREW, TAPPING, THREAD FORMING	
36	AB608065L	7XD/5305-99-722-6780	SCREW	
37	AB608068	7XDW/5305-99-305-7022	SCREW, TAPPING, THREAD FORMING	
38	AB608088	7XDW/5305-99-573-6225	SCREW, TAPPING THREAD FORMING	
39	AB610041L	G1/5305-99-941-8363	SCREW, TAPPING, THREAD FORMING	
40	AB610055	G1/5305-99-788-7262	SCREW, TAPPING, THREAD FORMING	
41	AB610061L	G1/5305-99-120-5486	SCREW, TAPPING, THREAD FORMING	
42	AB610081	G1/5305-99-977-3264	SCREW, TAPPING, THREAD FORMING	
43	AB610124L	G1/5305-99-788-7264	SCREW, TAPPING, THREAD FORMING	
44	AB612051L	G1/5305-99-135-2348	SCREW, TAPPING, THREAD FORMING	
45	AB614061L	G1/5305-99-137-2811	SCREW, TAPPING, THREAD FORMING	
46	AB614064L	G1/5305-99-788-7265	SCREW, TAPPING, THREAD FORMING	
47	AB614065L	7XD/5305-99-679-7653	SCREW, TAPPING, THREAD FORMING	
48	AB614081L	G1/5305-99-977-3272	SCREW, TAPPING, THREAD FORMING	
49	AB614088	7XD/5305-99-623-9066	SCREW	
50	AC606064L	7RU/5305-99-788-7267	SCREW, TAPPING, THREAD FORMING	
51	AC606104	7XD/5305-99-788-7268	SCREW, TAPPING, THREAD FORMING	
52	AC608041L	G1/5305-99-977-3255	SCREW, TAPPING, THREAD FORMING	
53	ADF710030	7XDW/2510-99-460-0029	PANEL, BODY, VEHICULAR	
54	ADU1221L	7ML/5305-99-895-8904	SCREW, MACHINE	
55	ADU1878L	6MT4/5920-99-759-5254	FUSE, INCLOSED LINK	
56	ADU6486L	7XD/5340-99-314-5986	CLIP, SPRING TENSION	
57	ADU8846L	7XD/5340-99-814-3432	CLIP, SPRING TENSION	
58	ADU9081L	7XD/5340-99-075-7837	CLIP, SPRING TENSION	
59	AD606041L	G1/5305-99-788-7269	SCREW, TAPPING, THREAD FORMING	
60	AD606044L	G1/5305-99-788-7270	SCREW, TAPPING, THREAD FORMING	
61	AEU1861	7XD/2530-99-577-6230	PARTS KIT, CALIPER, DISC BRAKE	
62	AEU1986	6MT4/6625-99-805-5072	SHUNT, INSTRUMENT	
63	AEU2148L	7XD/5305-99-052-0117	SCREW, MACHINE	
64	AEU2149L	7XD/5310-99-808-7653	WASHER, FLAT	

I T E M N O	Mfr Part Number	Catalogue Number	Item Name	Remarks
65	AEU2539	6MT9/2530-99-797-7061	PARTS KIT, BRAKE CALIPER	
66	AEU2721	6MT4/5999-99-797-3850	PANEL, PRINTED CIRCUIT	
67	AFB710050	7XDW/2510-99-573-6228	FLOOR, BODY, VEHICULAR	
68	AFB710060	7XDW/2510-99-573-6229	FLOOR, BODY, VEHICULAR	
69	AFQ710010	7XDW/2540-99-573-6230	RETAINER	
70	AFU1069	7RU/5310-99-788-7392	WASHER, FLAT	
71	AFU1075	7RU/5320-99-740-0798	RIVET, PLASTIC	
72	AFU1077L	7XDW/5340-99-980-8122	CLIP, SPRING TENSION	
73	AFU1079	7XD/2520-99-796-5406	PLAIN WASHER	
74	AFU1080	7RU/5310-99-740-0784	WASHER, FLAT	
75	AFU1090L	7RU/5340-99-788-7393	CLIP, SPRING TENSION	
76	AFU1107	7XD/2590-99-796-5409	PIPE CLIP	
77	AFU1190	7RU/5325-99-535-4419	CLIP, SPRING TENSION	
78	AFU1217	7RU/5340-99-788-7395	STRAP, RETAINING	
79	AFU1218L	7RU/5310-99-788-7396	WASHER, FLAT	
80	AFU1248	7RU/5310-99-788-7397	WASHER, FLAT	
81	AFU1256	7RU/5310-99-728-6157	WASHER, FLAT	
82	AFU1257	7RU/5310-99-728-6152	WASHER, FLAT	
83	AFU1259	7RU/5310-99-738-3661	WASHER, PLAIN	
84	AFU1272	7RU/5310-99-730-9625	NUT WING	
85	AFU1280	7XDW/5340-99-573-6538	CLAMP, LOOP	
86	AFU1350	7XD/5320-99-788-7398	RIVET, BLIND	
87	AFU1400	7RU/5306-99-730-3102	BOLT	
88	AFU1499	7XD/5305-99-788-7401	SCREW, MACHINE	
89	AFU1843	7XD/5320-99-862-3304	RIVET, BLIND	
90	AFU1882L	7RU/5310-99-779-9470	WASHER, FLAT	
91	AFU1887L	7RU/4730-99-780-0070	WASHER, SEALING	
92	AFU1897LDE	7XD/5325-99-442-4547	FASTENER, DRIVE	
93	AFU1926L	G1/5340-99-977-2493	SHIELD, EXPANSION	
94	AFU2627	7XD/5340-99-788-7536	CAP-PLUG, PROTECTIVE, DUST AND MOISTURE SEAL	
95	AFU2636	7RU/5305-99-788-7548	SCREW, ASSEMBLED WASHER	
96	AFU2637	7RU/5320-99-325-2689	RIVET, BLIND	
97	AFU2651	7XD/5310-99-788-7549	WASHER, FLAT	
98	AFU2692	7RU/5310-99-788-7550	SHIELD, EXPANSION	
99	AFU2813	7RU/5325-99-788-7551	FASTENER, DRIVE	
100	AFU3112L	7XD/5330-99-832-3386	RING, SEALING, TOROIDAL	
101	AFU4173	Z2/5340-99-728-1611	STRAP, LINE SUPPORTING	
102	AFU4214	7RU/5310-99-729-2353	NUT, THIN, HEXAGON	
103	AFU4506	7XDW/5325-99-720-4867	GROMMET, NONMETALLIC	
104	AGU1023	7XD/5340-99-887-3954	RECEPTACLE, FRICTION CATCH STUD	
105	AHA710100	7XDW/2540-99-573-6231	DASH ASSEMBLY	
106	AHU710010	7XD/2510-99-176-0489	HINGE, HOOD, VEHICULAR	

I T E M N O	Mfr Part Number	Catalogue Number	Item Name	Remarks
107	AHU710080	7XDW/5340-99-573-6232	BRACKET, MOUNTING	
108	AHU710090	7XDW/5340-99-573-6233	BRACKET, MOUNTING	
109	AHU710100	7XDW/5340-99-573-6234	BRACKET, MOUNTING	
110	AHU710110	7XDW/5340-99-641-7791	BRACKET, MOUNTING	
111	AHU710120	7XDW/5340-99-550-1718	BRACKET, MOUNTING	
112	AH614011L	7XD/5310-99-670-3587	NUT, SHEET SPRING	
113	AIO710010	7XD/5315-99-129-8518	PIN	
114	AJ606011L	7XD/5310-99-135-2574	NUT, SHEET SPRING	
115	AJ608041	G1/5310-99-137-6549	NUT, SHEET SPRING	
116	AK606011L	7RU/5310-99-788-7558	NUT, SHEET SPRING	
117	AK606031	7RU/5310-99-788-7559	NUT, SHEET SPRING	
118	AK608141L	7XD/5310-99-720-4939	NUT, SHEET SPRING	
119	ALA710320	7XDW/2510-99-573-6235	PANEL, BODY, VEHICULAR	
120	ALA710330	7XDW/2510-99-573-6236	PANEL, BODY, VEHICULAR	
121	ALA710340	7XDW/2510-99-573-6237	PANEL, BODY, VEHICULAR	
122	ALA710350	7XDW/2510-99-573-6238	PANEL, BODY, VEHICULAR	
123	ALO710010	7XD/2510-99-439-3093	FENDER, VEHICULAR	
124	ALQ710010	7XDW/2540-99-975-6238	PLATE, RETAINING	
125	ALR1466	7XD/2510-99-739-6067	PANEL, BODY, VEHICULAR	
126	ALR1467	7XD/2510-99-730-8801	PANEL, BODY, VEHICULAR	
127	ALR1742	7XD/2510-99-447-2011	FLOOR, BODY, VEHICULAR	
128	ALR1743	7XD/2510-99-817-4364	FLOOR, BODY, VEHICULAR	
129	ALR2220	7XD/5330-99-063-0249	SEAL, NONMETALLIC STRIP	
130	ALR4554	7XD/2510-99-862-3275	PANEL, BODY, VEHICULAR	
131	ALR4709	7RU/2510-99-001-7187	REAR BODY, LOWER	
132	ALR4710	7XD/2510-99-373-0572	PANEL, BODY, VEHICULAR	
133	ALR4711	7XD/2510-99-258-0179	PANEL, BODY, VEHICULAR	
134	ALR4716	7XD/2510-99-500-5066	PANEL, BODY, VEHICULAR	
135	ALR4717	7XD/2510-99-842-2516	PANEL, BODY, VEHICULAR	
136	ALR4769	7RU/2510-99-234-3644	RETAINER-SEAL/MAT-TAIL DOOR	
137	ALR4770	7RU/5330-99-660-7754	SEAL, NONMETALLIC SPECIAL SHAPED SECTION	
138	ALR4809	7XD/2510-99-809-0433	PANEL, BODY, VEHICULAR	
139	ALR4871	7XD/2510-99-151-2813	FRAME SECTION, STRUCTURAL, VEHICULAR	
140	ALR4915	7XD/5310-99-980-8537	NUTSERT	
141	ALR4929	7XD/5330-99-500-5065	SEAL, NONMETALLIC SPECIAL SHAPED SECTION	
142	ALR4936	7XD/5330-99-301-7165	SEAL, NONMETALLIC SPECIAL SHAPED SECTION	
143	ALR4937	7RU/5330-99-749-5738	SEAL	
144	ALR5058	7XD/5330-99-809-0408	SEAL, NONMETALLIC STRIP	

I T E M N O	Mfr Part Number	Catalogue Number	Item Name	Remarks
145	ALR5110	7RU/6160-99-084-4828	COVER, BATTERY	
146	ALR5111	7XD/2590-99-663-4892	COVER, VEHICULAR COMPONENTS	
147	ALR5114	7XD/2590-99-883-8764	COVER, VEHICULAR COMPONENTS	
148	ALR5323	7XD/6220-99-173-0382	BRACKET, LIGHT RETENTION	
149	ALR5324	7XD/6220-99-500-5053	BRACKET, LIGHT RETENTION	
150	ALR5342	7XD/5340-99-702-1700	COVER, ACCESS	
151	ALR5437	7XD/2510-99-330-1932	FRAME SECTION, STRUCTURAL, VEHICULAR	
152	ALR5438	7XD/2510-99-215-6305	BRACE, ROLL BAR	
153	ALR5989	7XD/2510-99-301-7152	PANEL, BODY, VEHICULAR	
154	ALR5990	7XD/2510-99-551-1779	PANEL, BODY, VEHICULAR	
155	ALR6122	7XD/2510-99-301-6720	PANEL, BODY, VEHICULAR	
156	ALR6250	7XD/5330-99-500-5064	SEAL, NONMETALLIC SPECIAL SHAPED SECTION	
157	ALR6262	7XD/2510-99-215-6078	DOOR, VEHICULAR	
158	ALR6263	7XD/2510-99-950-3432	DOOR, VEHICULAR	
159	ALR6280	7XD/5320-99-229-4215	RIVET	
160	ALR6281	7XD/5330-99-957-4407	SEAL, NONMETALLIC STRIP	
161	ALR6468	7XD/5340-99-027-3059	BRACKET, ANGLE	
162	ALR6469	7XD/5340-99-818-0434	BRACKET, ANGLE	
163	ALR6677	7XD/2510-99-663-3813	PANEL, BODY, VEHICULAR	
164	ALR6722	7XD/5340-99-887-6781	BRACKET, DOUBLE ANGLE	
165	ALR6725	7XD/2510-99-818-0111	PANEL, BODY, VEHICULAR	
166	ALR6842	7XD/2510-99-834-6419	FENDER, VEHICULAR	
167	ALR6843	7XD/2510-99-663-3812	FENDER, VEHICULAR	
168	ALR6852	7RU/2510-99-916-9904	DOOR, VEHICULAR	
169	ALR6871	7XD/5305-99-031-7504	SCREW, CAP, SOCKET HEAD	
170	ALR7005	7XD/2510-99-955-8571	PANEL, BODY, VEHICULAR	
171	ALR7036	7XD/5340-99-215-6340	LEAF, STRAP HINGE	
172	ALR7042	7XD/2510-99-517-3070	HINGE PIN	
173	ALR7043	7XD/2510-99-301-7167	HINGE	
174	ALR7051	7XD/2510-99-126-3323	FRAMEWORK, ROLLOVER PROTECTION	
175	ALR7054	7XD/2540-99-611-5316	LATCH, DOOR, VEHICULAR	
176	ALR7055	7XD/2540-99-808-7495	LATCH, DOOR, VEHICULAR	
177	ALR7056	7XD/2540-99-768-8016	WEDGE, DOOR DOVETAIL	
178	ALR7057	7XD/2540-99-663-3815	WEDGE, DOOR DOVETAIL	
179	ALR7072	7XD/2510-99-769-9819	PANEL, BODY, VEHICULAR	
180	ALR7121	7XD/2510-99-258-0181	PANEL, BODY, VEHICULAR	
181	ALR7228	7RU/2510-99-517-5174	PANEL, BODY, VEHICULAR	
182	ALR7232	7XD/2510-99-417-6255	TAILGATE, VEHICLE BODY	

ITEM NO	Mfr Part Number	Catalogue Number	Item Name	Remarks
183	ALR7491	7XD/2510-99-097-6657	HINGE, DOOR, VEHICULAR	
184	ALR7492	7XD/2510-99-884-6352	HINGE, DOOR, VEHICULAR	
185	ALR7493	7XD/2510-99-663-3814	HINGE, DOOR, VEHICULAR	
186	ALR7494	7XD/2510-99-909-6126	HINGE, DOOR, VEHICULAR	
187	ALR7510	7XD/2510-99-311-2811	PANEL, BODY, VEHICULAR	
188	ALR7967	7XD/2510-99-601-7884	CANTRAIL ASSEMBLY	
189	ALR7971	7XD/2510-99-313-4187	CANTRAIL ASSEMBLY	
190	ALR8045	7XD/2510-99-999-0119	PANEL, BODY, VEHICULAR	
191	ALR8046	7XD/2510-99-723-1808	PANEL, BODY, VEHICULAR	
192	ALR8069	7XD/2510-99-429-1906	HOOD, ENGINE COMPARTMENT	
193	ALR8083	7XD/2510-99-147-2949	PANEL	
194	ALR8084	7XD/2510-99-306-3052	PANEL	
195	ALR8085	7XD/2510-99-535-6880	PANEL, BODY, VEHICULAR	
196	ALR8086	7XD/2510-99-060-4171	PANEL, BODY, VEHICULAR	
197	ALR8765PUC	7RU/2510-99-577-3660	GRILLE, RADIATOR, VEHICULAR	
198	ALR9009	7XD/5340-99-947-8676	BRACKET, DOUBLE ANGLE	
199	ALR9015	7XD/9540-99-846-6189	CHANNEL, STRUCTURAL	
200	ALR9016	7XD/2510-99-340-2004	FRAME SECTION, STRUCTURAL, VEHICULAR	
201	ALR9022	7XD/2510-99-517-3063	ROD, HOOD, VEHICULAR	
202	ALR9028	7XD/2590-99-341-8251	BRACKET, VEHICULAR COMPONENTS	
203	ALR9029	7XD/2590-99-258-0106	BRACKET, VEHICULAR COMPONENTS	
204	ALR9050	7XD/4010-99-301-7157	WIRE ROPE ASSEMBLY, SINGLE LEG	
205	ALR9103	7XD/2510-99-728-7896	PANEL, BODY, VEHICULAR	
206	ALR9104	7XD/2510-99-998-9195	PANEL, BODY, VEHICULAR	
207	ALR9134	7XD/5340-99-299-0077	BRACKET, MOUNTING	
208	ALR9157	7XD/5310-99-720-4866	NUT, PLAIN, PLATE	
209	ALR9198	7XD/5340-99-611-5333	BRACKET, DOUBLE ANGLE	
210	ALR9199	7XD/5340-99-549-1719	BRACKET, DOUBLE ANGLE	
211	ALR9346	7XD/2510-99-129-8534	PANEL, BODY, VEHICULAR	
212	ALR9350	7XD/5310-99-500-5054	NUT, SHEET SPRING	
213	ALR9386	7XD/2510-99-934-6690	FRAME SECTION, STRUCTURAL, VEHICULAR	
214	ALR9387	7XD/2510-99-809-0402	FRAME SECTION, STRUCTURAL, VEHICULAR	
215	ALR9424	7XD/2510-99-702-1698	PANEL	
216	ALR9484	7XD/2590-99-851-8383	BRACKET, VEHICULAR COMPONENTS	
217	ALR9485	7XD/2590-99-215-6328	BRACKET, VEHICULAR COMPONENTS	
218	ALR9814	7XD/5340-99-151-2819	BRACKET, MOUNTING	
219	ALR9815	7XD/5340-99-670-4578	BRACKET, MOUNTING	
220	ALR9818	7XD/2510-99-463-6145	FRAME SECTION, STRUCTURAL, VEHICULAR	

I T E M N O	Mfr Part Number	Catalogue Number	Item Name	Remarks
221	ALR9819	7XD/2510-99-414-6542	FRAME SECTION, STRUCTURAL, VEHICULAR	
222	ALR9826	7XD/2510-99-391-0830	CAPPING ASSEMBLY	
223	ALR9827	7XD/2510-99-258-0180	CAPPING ASSEMBLY	
224	ALR9828	7XD/2510-99-215-6342	CAPPING ASSEMBLY	
225	ALR9829	7XD/2510-99-417-6256	CAPPING ASSEMBLY	
226	ALU1403L	7XD/5310-99-299-0076	WASHER, FLAT	
227	AL608031	7XD/5305-99-309-1018	SCREW, TAPPING, THREAD FORMING	
228	AL614011	7XD/5310-99-215-6323	NUT, SHEET SPRING	
229	AMR1474	7XD/6220-99-215-6365	LIGHT, BACKUP	
230	AMR1475	7XD/6220-99-989-0986	LIGHT, FOG	
231	AMR1495	7RU/6680-99-075-4873	TRANSMITTER, LIQUID QUANTITY	
232	AMR1632	7XD/6150-99-888-9169	WIRING HARNESS	
233	AMR1772	X5/6240-99-995-2120	LAMP, FILAMENT	
234	AMR2393	7XD/5340-99-196-5460	BRACKET, ANGLE	
235	AMR2425	7XD/6150-99-739-0843	CABLE ASSEMBLY	
236	AMR2455	7XD/6220-99-810-4734	LIGHT, MARKER, CLEARANCE	
237	AMR2456	7XD/6220-99-396-1146	DIRECTIONAL LIGHT, VEHICULAR	
238	AMR2569	7XD/6150-99-500-5023	CABLE ASSEMBLY, SPECIAL PURPOSE, ELECTRICAL, BRANCHED	
239	AMR2632	7XD/6685-99-126-3396	INDICATOR, TEMPERATURE, ELECTRICAL RESISTANCE	
240	AMR2919	7XD/6150-99-500-6035	WIRING HARNESS, BRANCHED	
241	AMR2983	7XD/5920-99-317-6370	FUSEHOLDER	
242	AMR3012	7XD/4730-99-748-0515	CLAMP, HOSE	
243	AMR3025	7XD/2540-99-126-3397	NOZZLE, WINDSHIELD WASHER ASSEMBLY	
244	AMR3026	7XD/2540-99-930-7493	NOZZLE, WINDSHIELD WASHER ASSEMBLY	
245	AMR3041	7XD/6150-99-988-4168	WIRING HARNESS, BRANCHED	
246	AMR3098	7XD/2540-99-551-1793	PLATE, MOUNTING, GROMMET	
247	AMR3101	7XD/6150-99-446-3880	WIRING HARNESS, BRANCHED	
248	AMR3138	7RU/2590-99-795-1082	PANEL, MOUNTING	
249	AMR3286	7XD/5325-99-731-9008	GROMMET, NONMETALLIC	
250	AMR3306	Z37/5945-99-382-6914	RELAY, THERMAL	
251	AMR3321	7XD/6685-99-821-1996	TRANSMITTER, TEMPERATURE, ELECTRICAL RESISTANCE	
252	AMR3333	X5/6240-99-995-2162	LAMP, FILAMENT	
253	AMR3340	X5/6240-99-777-1836	LAMP, FILAMENT	
254	AMR3550	7XDW/5325-99-874-0056	GROMMET, NONMETALLIC	

ITEM NO	Mfr Part Number	Catalogue Number	Item Name	Remarks
255	AMR3850	7XD/5975-99-147-2974	BASE, MOUNTING,	
256	AMR3918	7XD/6150-99-409-9734	ELECTRICAL FITTING	
257	AMR3932	7XDW/5325-99-308-6032	CABLE ASSEMBLY-	
258	AMR3933	7XDW/5310-99-802-2810	SWITCH, ELECTRICAL	
259	AMR3934	7XDW/5310-99-297-5718	GROMMET, NONMETALLIC	
260	AMR3963	7RU/5975-99-810-4405	WASHER, FLAT	
261	AMR4741	7XD/2540-99-919-6290	NUT, PLAIN, HEXAGON	
262	AMR4910	7XD/6210-99-131-1544	CONDUIT ASSEMBLY,	
263	AMR4911	7XD/5930-99-670-4581	NONMETALLIC,	
264	AMR4912	7XD/2510-99-734-3379	ELECTRICAL	
265	AMR4913	7XD/2510-99-228-3639	COVER, HARNESS	
266	AMR5085	7XD/5930-99-862-3255	LIGHT, PANEL	
267	AMR5127	7XD/2920-99-614-7604	SWITCH, TOGGLE	
268	AMR5149	7XD/6220-99-096-4805	PANEL, VEHICULAR	
269	AMR5248	7XD/6250-99-623-6956	OPERATION	
270	AMR5449	7XD/2510-99-867-8042	PANEL, VEHICULAR	
271	AMR5481	7XD/5340-99-771-4466	OPERATION	
272	AMR6105	7XD/2590-99-663-6050	SWITCH, TOGGLE	
273	AMR6106	7XD/2590-99-316-3814	DUCT ASSEMBLY, AIR	
274	AMR6517	7XD/6220-99-902-3442	MODULE, WARNING LIGHT	
275	AMR6518	7XD/6220-99-384-0481	LAMPHOLDER	
276	AMR6523	7XD/6220-99-215-6365	PANEL, VEHICULAR	
277	AMR6524	7XD/6220-99-989-0986	OPERATION	
278	AMR6676	7XD/4820-99-425-5018	CLIP, SPRING TENSION	
279	ANR1338	7XD/2990-99-215-6079	CONTROL,	
280	ANR1339	7XD/2990-99-383-4531	MULTIFUNCTION,	
281	ANR1799	6MT9/2530-99-732-6776	AUTOMOTIVE	
282	ANR1859	7XD/5340-99-709-0756	CONTROL,	
283	ANR1895	7XD/5310-99-808-7393	MULTIFUNCTION,	
284	ANR2129	7XD/4720-99-417-6189	AUTOMOTIVE	
285	ANR2130	7XD/2530-99-647-9937	CONTROL,	
286	ANR2157	7XD/2530-99-811-8177	MULTIFUNCTION,	
			CONTROL ASSEMBLY,	
			PUSH-PULL	
			CONTROL ASSEMBLY,	
			PUSH-PULL	
			BALL JOINT	
			COVER, ACCESS	
			WASHER, DAMPER-	
			REBOUND	
			HOSE, PREFORMED	
			RESERVOIR, REMOTE,	
			POWER STEERING PUMP	
			ASSEMBLY	
			PUMP ASSEMBLY, POWER	
			STEERING, VEHICULAR	

I T E M N O	Mfr Part Number	Catalogue Number	Item Name	Remarks
287	ANR2162	7XD/4710-99-535-6685	TUBE ASSEMBLY, METAL	
288	ANR2388	7XDW/5310-99-623-6959	NUT, PLAIN, BLIND RIVET	
289	ANR2485	7XD/4720-99-203-8032	HOSE, PREFORMED	
290	ANR2503	7RU/4710-99-350-3241	PIPE, METALLIC	
291	ANR2512	7XD/5340-99-925-3066	BRACKET, MOUNTING	
292	ANR2775	7RU/4710-99-831-4034	TUBE ASSEMBLY, METAL	
293	ANR2780	7RU/4710-99-577-3346	TUBE ASSEMBLY, METAL	
294	ANR2781	7XD/5340-99-702-1429	CLIP, SPRING TENSION	
295	ANR2783	7XD/4720-99-926-3623	TUBING ASSEMBLY, NONMETALLIC	
296	ANR2784	7XD/4720-99-317-1191	TUBING ASSEMBLY, NONMETALLIC	
297	ANR2805	7XD/5340-99-392-9501	MOUNT, RESILIENT	
298	ANR2818	7XD/2510-99-301-7150	BRACKET, ENGINE MOUNT	
299	ANR2819	7XD/5340-99-549-0708	PLATE, MOUNTING	
300	ANR2820	7XD/5340-99-664-9696	BRACKET, MOUNTING	
301	ANR2848	7XD/5930-99-884-6351	SWITCH, LOCK, IGNITION	
302	ANR2858	7XD/5340-99-768-7928	CONNECTOR, ROD END	
303	ANR2859	7XD/5340-99-573-1859	CONNECTOR, ROD END	
304	ANR2860	7RU/2530-99-301-2299	TIE ROD, STEERING	
305	ANR2868	7XD/2510-99-664-9676	BRACKET, ENGINE MOUNT	
306	ANR2890	7XD/5365-99-075-7965	SPACER, SLEEVE	
307	ANR2945	7XD/4710-99-203-8067	TUBE ASSEMBLY, METAL	
308	ANR2946	7RU/4710-99-254-7554	PIPE, BENT, METALLIC	
309	ANR2947	7RU/4710-99-339-4373	PIPE, BENT, METALLIC	
310	ANR2994	7RU/2530-99-832-2550	DRAG LINK, STEERING	
311	ANR3052	7XD/2540-99-702-1691	CHOCK, WHEEL-TRACK	
312	ANR3060	7XD/2510-99-744-3295	ISOLATOR	
313	ANR3069	7RU/4710-99-728-3918	TUBE AND FITTINGS, METALLIC	
314	ANR3227	7XD/2540-99-810-5753	HEATSHIELD	
315	ANR3231	7RU/2530-99-198-9040	STEERING WHEEL	
316	ANR3327	7XD/5340-99-512-1250	BRACKET, MOUNTING	
317	ANR3410	7RU/5365-99-198-9245	BUSH	
318	ANR3515	7XD/3020-99-350-5799	GUARD, MECHANICAL DRIVE	
319	ANR3516	7XD/3020-99-008-1077	GUARD, MECHANICAL DRIVE	
320	ANR3517	7XD/3020-99-500-5052	GUARD, MECHANICAL DRIVE	
321	ANR3539	7XD/5360-99-591-3178	SPRING, HELICAL, COMPRESSION	
322	ANR3540	7XD/5360-99-902-3205	SPRING, HELICAL, COMPRESSION	
323	ANR3547	7XD/2510-99-863-7641	BRACKET, ENGINE MOUNT	
324	ANR354°	7XD/2510-99-021-5880	BRACKET, ENGINE MOUNT	
325	ANR3563	7XD/4720-99-851-2000	HOSE ASSEMBLY, VACUUM	

I T E M N O	Mfr Part Number	Catalogue Number	Item Name	Remarks
326	ANR3564	7XD/4720-99-500-6062	HOSE ASSEMBLY, VACUUM	
327	ANR3578	7XD/5340-99-016-1224	SEAT, HELICAL	
328	ANR3615	7XD/4710-99-957-4405	COMPRESSION SPRING	
329	ANR3625	7XD/2590-99-096-4411	TUBE ASSEMBLY, METAL	
330	ANR3650	7XD/5360-99-349-6824	BRACKET, VEHICULAR	
331	ANR3692	7XD/3040-99-075-7845	COMPONENTS	
332	ANR3693	7XD/3040-99-702-1430	SPRING, HELICAL, COMPRESSION	
333	ANR3719	7XD/5306-99-215-6306	LEVER, MANUAL	
334	ANR3770	7XD/4710-99-663-3826	CONTROL	
335	ANR3812	7XD/2590-99-549-1718	LEVER, MANUAL CONTROL	
336	ANR3840	7XD/2540-99-374-7338	BOLT, MACHINE	
337	ANR4153	7XD/5340-99-867-8126	TUBE ASSEMBLY, METAL	
338	ANR4158	7XD/5340-99-838-1573	BRACKET, VEHICULAR	
339	ANR4159	7XD/4720-99-147-2817	COMPONENTS	
340	ANR4160	7XD/4720-99-325-0283	BUMPER, VEHICULAR	
341	ANR4164	7XD/5340-99-924-5416	MOUNT, RESILIENT	
342	ANR4188	7XD/2540-99-052-0087	MOUNT, RESILIENT	
343	ANR4189	7XD/2540-99-808-7479	HOSE ASSEMBLY	
344	ANR4192	7XD/2530-99-126-3017	HOSE ASSEMBLY	
345	ANR4195	7XD/2510-99-663-9526	MOUNT, RESILIENT	
346	ANR4196	7XD/2510-99-362-1511	BUMPER, VEHICULAR	
347	ANR4215	7XD/2510-99-127-1030	BUMPER, VEHICULAR	
348	ANR4344	7XD/2510-99-063-0277	ROD, ALIGNING, VEHICULAR AXLE	
349	ANR4483	7XD/2590-99-169-0088	FRAME, STRUCTURAL, VEHICULAR	
350	ANR4487	7XD/2510-99-219-3156	FRAME, STRUCTURAL, VEHICULAR	
351	ANR4488	7XD/2510-99-016-1191	FRAME SECTION, STRUCTURAL, VEHICULAR	
352	ANR4489	7RU/5120-99-301-5192	BAR, STABILIZER	
353	ANR4510	7XD/5120-99-301-7134	BRACKET, VEHICULAR	
354	ANR4581	7XD/5340-99-647-9936	COMPONENTS	
355	ANR4583PM	7XD/2530-99-244-7869	ROD, ALIGNING, VEHICULAR AXLE	
356	ANR4615	7XD/5340-99-147-2948	VEHICULAR AXLE	
357	ANR4631	7XD/2540-99-354-2654	JACK, HYDRAULIC, HAND	
358	ANR4632	7XD/2540-99-724-4044	HANDLE, HYDRAULIC	
359	ANR4644	7XD/4710-99-301-7350	JACK	
360	ANR4978	7XD/4710-99-709-4823	BRACKET, MOUNTING	
			WHEEL, PNEUMATIC TIRE	
			BRACKET, MOUNTING	
			RETAINER, NUT ASSEMBLY	
			TAPPING PLATE	
			TUBE ASSEMBLY, METAL	
			TUBE ASSEMBLY, METAL	

I T E M N O	Mfr Part Number	Catalogue Number	Item Name	Remarks
361	ANR4979	7XD/4710-99-885-1179	TUBE ASSEMBLY, METAL	
362	ANR5099	7XD/5306-99-219-1813	BOLT, MACHINE	
363	ANR5266	7XD/2510-99-335-4179	FRAME, STRUCTURAL, VEHICULAR	
364	ANR5308	7XD/5330-99-864-6839	GASKET	
365	ANR5483	7XD/3020-99-887-3956	GUARD, MECHANICAL DRIVE	
366	ANR5484	7XD/4710-99-386-7652	TUBE ASSEMBLY, METAL	
367	ANR5820	7XD/2590-99-623-9062	RETAINER, SPARE TIRE	
368	ANR5821	7XD/2510-99-004-1334	CLAMP, CARRIER, SPARE WHEEL	
369	ANR5822	7XD/2590-99-317-6365	RETAINER, SPARE TIRE	
370	ANR5889	7XD/5340-99-702-2560	BRACKET, MOUNTING	
371	ANR5901	7XD/2590-99-446-3877	BRACKET, VEHICULAR COMPONENTS	
372	ANR6332	7XD/5330-99-663-7273	GASKET	
373	ANR6333	7XD/5330-99-127-2455	GASKET	
374	ANR6373	7XD/5340-99-453-8082	BRACKET, MOUNTING	
375	ANR6390	7XD/5340-99-601-7894	BRACKET, LIGHT, TRUCK	
376	ANR6655	7XD/4720-99-147-3286	HOSE ASSEMBLY, NONMETALLIC	
377	ANR6656	7XD/4720-99-258-0501	HOSE ASSEMBLY, NONMETALLIC	
378	ANR6885	7XD/3040-99-731-5822	LEVER, REMOTE CONTROL	
379	ANR6942	7RU/5310-99-807-3230	WASHER, SHOULDERED AND RECESSED	
380	ANR6971	7XD/5365-99-052-0785	BUSHING, RUBBER	
381	AN108021	7XD/5325-99-270-5429	RING, RETAINING	
382	AQL710020	7XD/2510-99-290-5735	PANEL, BODY, VEHICULAR	
383	AQL710030	7XD/2510-99-256-4051	PANEL, BODY, VEHICULAR	
384	ARA1502L	6MT1/5330-99-625-1886	GASKET	
385	AR608021L	7XD/5305-99-788-7560	SCREW, TAPPING, THREAD FORMING	
386	AR608031L	G1/5305-99-805-6811	SCREW, TAPPING, THREAD FORMING	
387	AR610041	7XD/5305-99-226-6217	SCREW, TAPPING, THREAD FORMING	
388	ASB710260	7XDW/2510-99-398-0335	PANEL, BODY, VEHICULAR	
389	ASB710270	7XDW/2510-99-573-6241	FENDER, VEHICULAR	
390	ASB710280	7XDW/2510-99-573-6242	FENDER, VEHICULAR	
391	ASB710290	7XDW/2510-99-720-4868	PANEL, BODY, VEHICULAR	
392	ASB710360	7XDW/2510-99-573-6532	FENDER, VEHICULAR	
393	ASB710370	7XDW/2510-99-573-6533	FENDER, VEHICULAR	
394	ASR1002	7XD/2590-99-311-3359	BRACKET, VEHICULAR COMPONENTS	
395	ASR1018	7XD/2540-99-386-7593	CHECKSTRAP	
396	ASR1116	7XD/5340-99-832-3408	BRACKET, ANGLE	
397	ASR1117	7XD/5340-99-702-1810	BRACKET, ANGLE	
398	ASR1131	7XD/5340-99-010-0738	BRACKET, DOUBLE ANGLE	

I T E M N O	Mfr Part Number	Catalogue Number	Item Name	Remarks
399	ASR1132	7XD/2590-99-147-2989	PLATE BLANKING	
400	ASR1133	7XD/5340-99-739-0906	PANEL, BLANK	
401	ASR1134	7XD/5330-99-709-0778	SEAL	
402	ASR1135	7XD/5330-99-219-3194	SEAL, NONMETALLIC SPECIAL SHAPED SECTION	
403	ASR1136	7XD/5330-99-396-1145	SEAL, NONMETALLIC SPECIAL SHAPED SECTION	
404	ASR1137	7XD/5330-99-004-1335	SEAL, NONMETALLIC SPECIAL SHAPED SECTION	
405	ASR1146	7XD/2510-99-215-6343	PANEL, BODY, VEHICULAR	
406	ASR1147	7XD/2510-99-998-9200	PANEL, BODY, VEHICULAR	
407	ASR1153	7RU/2540-99-788-8111	LID ASSEMBLY, VENTILATOR, DASH	
408	ASR1154	7XD/2540-99-326-5988	LID ASSEMBLY, VENTILATOR, DASH	
409	ASR1184	7XD/5310-99-938-2437	NUT, PLAIN, CAP	
410	ASR1185	7XD/5310-99-702-1808	NUT, PLAIN, BLIND RIVET	
411	ASR1229	7XD/2590-99-535-6814	CATCH, HOOD, VEHICULAR	
412	ASR1378	7XD/2590-99-396-1141	BRACKET, VEHICULAR COMPONENTS	
413	ASR1379	7XD/2590-99-244-7968	BRACKET, VEHICULAR COMPONENTS	
414	ASR1402	7XD/2510-99-809-0407	BRACE, FENDER	
415	ASR1403	7XD/2510-99-301-7153	BRACE, FENDER	
416	ASR1410	7XD/2510-99-333-7887	FRAMEWORK, ROLLOVER PROTECTION	
417	ASR1418	7XD/2510-99-940-5957	CAPPING	
418	ASR1451	7XD/5340-99-938-2323	BRACKET, ANGLE	
419	ASR1452	7XD/5340-99-028-4949	BRACKET, ANGLE	
420	ASR1453	7XD/5340-99-663-4922	BRACKET, ANGLE	
421	ASR1458	7XD/5305-99-663-4915	SCREW, CAP, SOCKET HEAD	
422	ASR1459	7XD/5310-99-968-1966	NUT, CLIP-ON	
423	ASR1532	7XD/2510-99-573-7708	PANEL, BODY, VEHICULAR	
424	ASR1533	7RU/2510-99-664-0741	PANEL, BODY, VEHICULAR	
425	ASR1603	7XD/5305-99-383-4551	SCREW, MACHINE	
426	ASR1785	7XD/2510-99-215-6304	FRAMEWORK, ROLLOVER PROTECTION	
427	ASR1788	7XD/4010-99-859-1829	CHAIN ASSEMBLY, SINGLE LEG	
428	ASR1797	7XD/5340-99-363-2417	BRACKET, ANGLE	
429	ASR1848	7XD/2540-99-413-8062	NUT PLATE	
430	ASR1860	7XD/5340-99-805-5680	BRACKET, ANGLE	
431	ASR1861	7XD/5340-99-175-1284	BRACKET, ANGLE	
432	ASR1892	7XD/2510-99-258-0495	PANEL, BODY, VEHICULAR	
433	ASR1893	7XD/2510-99-810-5735	PANEL, BODY, VEHICULAR	

I T E M N O	Mfr Part Number	Catalogue Number	Item Name	Remarks
434	ASR1894	7XD/2510-99-075-8316	PANEL, BODY, VEHICULAR	
435	ASR1895	7XD/2510-99-894-1259	PANEL, BODY, VEHICULAR	
436	ASR1956	7XD/2510-99-770-1949	FENDER, VEHICULAR	
437	ASR1957	7XD/2510-99-147-3281	FENDER, VEHICULAR	
438	ASR2100	7XD/2510-99-535-6821	PANEL, BODY, VEHICULAR	
439	ASR2101	7XD/2510-99-702-1711	PANEL, BODY, VEHICULAR	
440	ASR2198	7XD/2540-99-244-8009	PAD	
441	ASR2204	7XD/2540-99-062-2231	NUT-PLATE ASSEMBLY	
442	ASR2352	7XD/2510-99-911-1714	PLATE ASSEMBLY, BOLT	
443	ASR2354	7XD/2510-99-623-9090	PANEL, BODY, VEHICULAR	
444	ASR2355	7XD/2510-99-442-4893	PANEL, BODY, VEHICULAR	
445	ASR2358	7XD/2510-99-356-4607	PANEL, BODY, VEHICULAR	
446	ASR2359	7XD/2510-99-075-8019	PANEL, BODY, VEHICULAR	
447	ASR2362	7XD/5340-99-004-1341	BRACKET, DOUBLE ANGLE	
448	ASR2363	7XD/5340-99-398-7160	BRACKET, DOUBLE ANGLE	
449	ASR2404	7XD/5340-99-616-7769	BRACKET, MOUNTING	
450	ASR2405	7XD/5340-99-957-4780	BRACKET, MOUNTING	
451	ASR2451	7XD/5340-99-627-6994	BRACKET, ANGLE	
452	ASR2452	7XD/5340-99-125-4650	BRACKET, ANGLE	
453	ASR2516	7XD/2510-99-028-4979	PANEL, BODY, VEHICULAR	
454	ASR2517	7XD/2510-99-663-6054	PANEL, BODY, VEHICULAR	
455	ASR2520	7XD/2510-99-745-5281	PANEL, BODY, VEHICULAR	
456	ASR2521	7XD/2510-99-151-2920	PANEL, BODY, VEHICULAR	
457	ASR2668	7XD/2540-99-125-4649	RETAINER, NUT ASSEMBLY	
458	ASR710100	7XDW/2510-99-573-6536	PANEL, BODY, VEHICULAR	
459	ASR710110	7XDW/2510-99-573-6537	PANEL, BODY, VEHICULAR	
460	ASU1009	6MT4/5930-99-768-4885	SWITCH, PUSH	
461	ASU710080	7XDW/5340-99-850-0308	BRACKET, ANGLE	
462	ASW710120	7XDW/2510-99-573-6534	PANEL, BODY, VEHICULAR	
463	ASW710130	7XDW/2510-99-573-6535	PANEL, BODY, VEHICULAR	
464	ATU1017L	7XD/5340-99-126-3436	CLAMP, LOOP	
465	AWJ710010	7XDW/2510-99-377-4616	BRACE, FENDER	
466	AWR1609LOY	7XD/2510-99-215-7427	PANEL, INTERIOR, VEHICULAR DOOR	
467	AWR2214	7RU/2540-99-865-4597	GRILLE, FINISHER	
468	AWR2215	7RU/2540-99-950-3100	GRILLE, FINISHER	
469	AWR2216	7RU/2540-99-720-8157	FINISHER, BLANKING	
470	AWR2217	7RU/2540-99-771-6982	GRILLE, BLANKING, FINISHER	
471	AWR3815LUM	7XD/2540-99-301-8396	NET POCKET ASSEMBLY	
472	AWR4731	7XD/5310-01-450-3888	NUT, PLAIN, BLIND RIVET	
473	AWR4782	7XD/5330-99-611-5317	GASKET	
474	AWR5007	7RU/2540-99-788-8161	PADDED ASSEMBLY, HEATER DUCT	
475	AWR5698RPI	7XD/2540-99-870-0214	CUSHION, SEAT BACK, VEHICULAR	
476	AWR5699RPI	7XD/2540-99-239-2038	CUSHION, SEAT BACK, VEHICULAR	

ITEM NO	Mfr Part Number	Catalogue Number	Item Name	Remarks
477	AWR5700RPI	7XD/2540-99-732-8132	CUSHION, SEAT, VEHICULAR	
478	AWR5701RPI	7XD/2540-99-108-5072	COVER, SEAT, VEHICULAR	
479	AWR5702RPI	7XD/2540-99-474-4894	COVER, SEAT, VEHICULAR	
480	AWR5708RPI	7XD/2540-99-258-0107	HEADREST, SEAT, VEHICULAR	
481	AWR5987	7XD/2540-99-500-6056	FINISHER	
482	AWR5988	7XD/2540-99-087-5030	FINISHER	
483	AWR6683	7XDW/5340-99-729-6014	BRACKET, ANGLE	
484	AWR6715	7XD/5310-99-126-4176	NUT, PLAIN, BLIND RIVET	
485	AXL710010	7XDW/2510-99-573-6244	PANEL, BODY, VEHICULAR	
486	AXL710020	7XDW/2510-99-573-6245	PANEL, BODY, VEHICULAR	
487	AYA10004L	7XD/5325-99-075-8022	GROMMET	
488	AYF10001L	7XD/5365-99-434-8369	SPACER, RING	
489	AYF100120	7XD/5310-99-764-4238	WASHER, FLAT	
490	AYH100780	7XD/5340-99-127-2457	BRACKET, MOUNTING	
491	AYH100810	7XD/5310-99-239-2037	NUT, PLAIN, CAP	
492	AZ610081	7XD/5305-99-788-7580	SCREW	
493	BAC103710	7XD/9905-99-830-1432	PLATE, INSTRUCTION	
494	BAU1689	6MT1/5340-99-655-2993	CLAMP, LOOP	
495	BAU5812L	6WPG/5970-99-225-1703	INSULATION AND FILLING COMPOUND	
496	BDU1496L	7XD/5310-99-037-0568	WASHER, FLAT	
497	BFA710020	7XDW/2510-99-573-6246	DOOR, VEHICULAR	
498	BHA4790L	6MT3/2540-99-824-3663	STRAP AND SLEEVE ASSEMBLY	
499	BHB710050	7XD/2510-99-300-6056	HINGE, DOOR, VEHICULAR	
500	BHB710060	7XD/2510-99-794-2040	HINGE, DOOR, VEHICULAR	
501	BHF710010	7XDW/5410-99-573-6531	ARM, DOOR STOP	
502	BHF710020	7XDW/5410-99-573-6530	ARM, DOOR STOP	
503	BH106061L	G1/5305-99-122-5245	SCREW, CAP, HEXAGON HEAD	
504	BH106121L	7XD/5306-99-825-4551	BOLT, MACHINE	
505	BH106161L	G1/5306-99-122-8101	BOLT, MACHINE	
506	BH108051	G1/5305-99-122-5367	SCREW, CAP, HEXAGON HEAD	
507	BH108061L	G1/5305-99-122-5253	SCREW, CAP, HEXAGON HEAD	
508	BH108061M	G1/5305-99-122-5253	SCREW, CAP, HEXAGON HEAD	
509	BH108067	7XD/5306-99-605-2725	BOLT, MACHINE	
510	BH108091L	G1/5305-99-122-5255	SCREW, CAP, HEXAGON HEAD	
511	BH108101L	G1/5305-99-122-5256	SCREW, CAP, HEXAGON HEAD	
512	BH108121L	G1/5305-99-122-6453	SCREW, CAP, HEXAGON HEAD	
513	BH108181L	G1/5306-99-122-5262	BOLT, MACHINE	
514	BH108201L	G1/5305-99-122-5263	SCREW, CAP, HEXAGON HEAD	

I T E M N O	Mfr Part Number	Catalogue Number	Item Name	Remarks
515	BH108251	7XD/5306-99-770-8958	BOLT, MACHINE	
516	BH108251L	7XD/5306-99-770-8958	BOLT, MACHINE	
517	BH110091	G1/5306-99-122-2774	BOLT, MACHINE	
518	BH110121L	G1/5306-99-122-2777	BOLT, MACHINE	
519	BH110201	G1/5306-99-124-3616	BOLT, MACHINE	
520	BH110201L	G1/5306-99-122-2783	BOLT, MACHINE	
521	BH110221	G1/5306-99-124-3617	BOLT, MACHINE	
522	BH110221L	G1/5306-99-124-3617	BOLT, MACHINE	
523	BH110281L	G1/5306-99-122-4918	BOLT, MACHINE	
524	BH112101L	G1/5306-99-122-2788	BOLT, MACHINE	
525	BH112121L	G1/5306-99-122-2790	BOLT, MACHINE	
526	BH112281L	G1/5306-99-137-7648	BOLT, MACHINE	
527	BH114167	7XD/5306-99-840-3129	BOLT, MACHINE	
528	BH116111	G1/5305-99-122-2812	SCREW, CAP, HEXAGON HEAD	
529	BH116207	7XD/5305-99-442-4840	SCREW, CAP, HEXAGON HEAD	
530	BH116347	7XD/5305-99-939-1106	SCREW, CAP, HEXAGON HEAD	
531	BH505161L	7XDW/5306-99-573-6247	BOLT, MACHINE	
532	BH604151L	7RU/5306-99-464-7113	BOLT, MACHINE	
533	BH608461	G1/5306-99-941-1674	BOLT, MACHINE	
534	BMK1714	7XDW/5325-99-551-9105	GROMMET, NONMETALLIC	
535	BMK1903	6MT1/5310-99-830-3153	NUT, PLAIN, HEXAGON	
536	BMK2466	6MT9/4730-99-830-2723	COUPLING, TUBE	
537	BNP4107MAL	7XD/5325-99-663-6057	FASTENER	
538	BNP4107PMAL	7XD/5325-99-916-9937	FASTENER, TRIM, RIBBED	
539	BPA710010	7XDW/5340-99-573-6248	DOOR, ACCESS	
540	BRC8089L	7XD/5320-99-648-0477	RIVET, BLIND	
541	BTP2284	7XD/2930-99-573-5867	FRAME, RADIATOR	
542	BTP2525	7XD/2930-99-983-5853	FRAME, RADIATOR	
543	BTP2526	7XD/2930-99-477-1414	FRAME, RADIATOR	
544	BTP2528	7XD/2930-99-308-1035	FRAME, RADIATOR	
545	BTP2601S	7XD/2930-99-902-3223	RADIATOR, ENGINE OIL AND COOLANT	
546	BTR1047	7RU/2540-99-219-6077	BADGE	
547	BTR1349	7RU/2590-99-133-4791	FLAP ASSEMBLY	
548	BTR1599	7RU/2540-99-257-8184	DIFFUSER, AIR, VEHICULAR HEATING AND VENTILATING	
549	BTR1600	7RU/2540-99-215-4519	DIFFUSER, AIR, VEHICULAR HEATING AND VENTILATING	
550	BTR1698	7RU/2530-99-720-8137	BOOT, DUST AND MOISTURE SEAL	
551	BTR1762RPI	7XD/2540-99-702-1724	CUSHION, SEAT, VEHICULAR	
552	BTR1763RPI	7XD/2540-99-709-0758	CUSHION, SEAT, VEHICULAR	

ITEM NO	Mfr Part Number	Catalogue Number	Item Name	Remarks
553	BTR1884PMA	7RU/2590-99-721-8612	COVER, VEHICULAR COMPONENTS	
554	BTR2307	7RU/5920-99-405-5110	COVER, FUSE	
555	BTR2308	7XD/2590-99-605-8262	LABEL	
556	BTR277	7RU/2540-99-721-4396	MUDFLAP	
557	BTR358	7XD/7690-99-553-2679	LABEL	
558	BTR360	7XD/2540-99-052-0298	TRIM	
559	BTR4372	7RU/2540-99-807-5736	BUCKLE	
560	BTR4373	7RU/2540-99-316-1433	BUCKLE, BELT, VEHICULAR SAFETY	
561	BTR4433	7RU/6150-99-730-4930	WIRING HARNESS	
562	BTR4434	7RU/6150-99-730-4930	WIRING HARNESS	
563	BTR475	7XDW/5310-99-182-6051	NUT, SHEET SPRING	
564	BTR5781	7XD/2540-99-771-4534	BELT, VEHICULAR SAFETY	
565	BTR5782	7XD/2540-99-500-6064	BELT, VEHICULAR SAFETY	
566	BTR6164	7XD/4720-99-902-3224	HOSE, PREFORMED	
567	BTR6165	7XD/4720-99-075-7873	HOSE, PREFORMED	
568	BTR6561	7RU/2540-99-051-9122	BELT, VEHICULAR SAFETY	
569	BTR6562	7RU/2540-99-320-4788	BELT, VEHICULAR SAFETY	
570	BTR7849PUC	7RU/2540-99-729-2979	FINISHER, HEADLIGHT SURROUND	
571	BTR7850PUC	7RU/2540-99-097-6539	FINISHER, HEADLIGHT SURROUND	
572	BTR7897	7XD/2540-99-809-0949	MAT, FLOOR	
573	BTR7898	7XD/2540-99-173-0400	MAT, FLOOR	
574	BTR8139RPI	7XD/2540-99-126-3322	CUSHION, SEAT, VEHICULAR	
575	BTR8140RPI	7XD/2540-99-722-6782	SEAT, VEHICULAR	
576	BTR8141RPI	7XD/2540-99-663-4937	SEAT, VEHICULAR	
577	BTR8395	7XD/4720-99-215-6105	HOSE, PREFORMED	
578	BTR8396	7XD/4720-99-027-3049	HOSE, PREFORMED	
579	BTR8535	7XD/5320-99-490-7832	RIVET, BLIND	
580	BTR8736	6MT1/3040-99-417-8296	CONTROL ASSEMBLY, PUSH-PULL	
581	BTR912	7RU/2540-99-553-1820	DIFFUSER, AIR, VEHICULAR HEATING AND VENTILATING	
582	BTR9270	7XD/5355-99-052-0067	KNOB	
583	BTR9320	7XD/2540-99-215-6468	MAT, FLOOR	
584	BTR9614	7XDW/2510-99-361-4426	PANEL, VEHICULAR OPERATION	
585	BTR9712LOY	7XDW/2510-99-891-0090	PANEL, INTERIOR, VEHICULAR DOOR	
586	BTR9714LOY	7XD/5340-99-301-8368	COVER, ACCESS	
587	BTR9715LOY	7XD/2540-99-126-4179	COVER	
588	BTR9723LOY	7XDW/5340-99-583-0757	COVER, ACCESS	
589	BTR9905	7XD/5310-99-810-5798	NUT, STAMPED	
590	BT606101L	7SL/5306-99-137-8106	BOLT, MACHINE	
591	BX108091	7XD/5306-99-474-4892	BOLT, MACHINE	

I T E M N O	Mfr Part Number	Catalogue Number	Item Name	Remarks
592	BX110071M	7ML/5306-99-790-1513	BOLT	
593	BX110095M	7XD/5306-99-808-7428	BOLT, MACHINE	
594	BX112091	7XD/5306-99-577-1465	BOLT, MACHINE	
595	BX112201	7RU/5306-99-547-8287	BOLT, MACHINE	
596	BX116201L	7RU/5306-99-309-2252	SCREW MACHINE	
597	BYF100080	7XDW/5330-99-610-3872	SEAL	
598	BYG100190	7XD/2510-99-164-8995	PIN, HINGE	
599	BYH100130	7XD/5310-99-748-8052	NUT, PLAIN, HEXAGON	
600	BYP100210	7XDW/5305-99-573-6249	SCREW, MACHINE	
601	CAN100150	7XDW/2590-99-573-6250	RACK, BAGGAGE, VEHICULAR	
602	CAN100160	7XDW/2590-99-573-6251	RACK, BAGGAGE, VEHICULAR	
603	CAT101010	7XDW/2540-99-573-6252	GUARD, SPLASH, VEHICULAR	
604	CAX100140	7XDW/5340-99-769-2072	BRACKET, ANGLE	
605	CAX100150	7XDW/5340-99-262-9436	BRACKET, ANGLE	
606	CAX100180	7XDW/5340-99-573-6253	BRACKET, MOUNTING	
607	CAX100190	7XDW/5340-99-573-6254	BRACKET, MOUNTING	
608	CDU1067L	7XD/5340-99-663-5008	CLIP, SPRING TENSION	
609	CFE102720	7XD/5330-99-722-1337	SEAL, NONMETALLIC SPECIAL SHAPED SECTION	
610	CFE102730	7XD/5330-99-215-6050	SEAL, NONMETALLIC SPECIAL SHAPED SECTION	
611	CFE102980	7XDW/5330-99-585-8265	SEAL, NONMETALLIC SPECIAL SHAPED SECTION	
612	CFE102990	7XDW/5330-99-794-0116	SEAL, NONMETALLIC SPECIAL SHAPED SECTION	
613	CLP3180	7XD/3120-99-822-5516	BEARING	
614	CN100168L	7XD/4730-99-564-2831	CLAMP, HOSE	
615	CN100208L	7RU/4730-99-152-4901	CLAMP, HOSE	
616	CN100258L	6MT1/4730-99-533-2960	CLAMP, HOSE	
617	CN100308L	46MT1/4730-99-798-0799	CLAMP, HOSE	
618	CN100508	6MT1/4730-99-420-3230	CLAMP, HOSE	
619	CN100508L	6MT1/4730-99-420-3230	CLAMP, HOSE	
620	CN100708	7RU/4730-99-350-5693	CLAMP, HOSE	
621	CN100708L	7RU/4730-99-350-5693	CLAMP, HOSE	
622	CN100808L	7XDW/4730-99-292-8332	CLAMP, HOSE	
623	CN100908	7XD/4730-99-464-7026	CLIP, HOSE	
624	CN100908L	7XD/4730-99-464-7026	CLIP, HOSE	
625	CN101108L	7XDW/4730-99-909-7979	CLAMP, HOSE	
626	CP105081L	7XD/5340-99-591-3292	CLAMP, LOOP	
627	CP106221	7XD/5340-99-052-0086	CLAMP, LOOP	
628	CP108251L	7RU/5340-99-663-3705	CLAMP, LOOP	
629	CRC1250L	7RU/2530-99-830-2724	CLIP, BRAKE PIPE	

ITEM NO	Mfr Part Number	Catalogue Number	Item Name	Remarks
630	CRC1487	G1/5310-99-830-2718	NUT, PLAIN, HEXAGON	
631	CRC209	7XD/5310-99-257-9949	NUT, PLAIN, HEXAGON	
632	CR120105L	46MT1/5365-99-942-5709	RING, RETAINING	
633	CR120205	7XD/5325-99-967-5714	RING, RETAINING	
634	CR120215	7XD/5325-99-873-8016	RING, RETAINING	
635	CR120335L	6MT1/5365-99-792-0793	RING, RETAINING	
636	CUB102680	7XD/2510-99-449-6133	WINDOW, VEHICULAR	
637	CUB102690	7XD/2510-99-943-2546	WINDOW, VEHICULAR	
638	CXF100130	7XD/2540-99-612-6126	PLATE, SCREW RETAINER	
639	CZA4705L	7RU/2590-99-321-5616	LOKUT NUT	
640	CZK619	7RU/5310-99-728-6154	NUT-LOKUT	
641	C38637L	6MT4/5930-99-004-0383	SWITCH, ROCKER	
642	C39377L	7XD/5340-99-840-3122	CLAMP, LOOP	
643	C393771L	7XD/5340-99-194-1639	CLAMP, LOOP	
644	DA606059L	7XD/5305-99-730-5036	SCREW	
645	DA608044L	7RU/5305-99-660-9044	SCREW, TAPPING THREAD FORMING	
646	DA608064	7XD/5305-99-955-8589	SCREW, TAPPING, THREAD FORMING	
647	DA610051	7XD/5305-99-908-6267	SCREW, TAPPING, THREAD FORMING	
648	DA610051L	7XD/5305-99-908-6267	SCREW, TAPPING, THREAD FORMING	
649	DA610055	7XDW/5305-99-225-3855	SCREW, TAPPING, THREAD FORMING	
650	DBP8169L	7XD/5340-99-663-6052	CLAMP, LOOP	
651	DCP3212L	7XD/5365-99-957-4265	BUSHING, NONMETALLIC	
652	DCP3969L	7XDW/5340-99-904-2039	CLIP, SPRING TENSION	
653	DCP7384L	7XD/5340-99-439-2212	CLIP, SPRING TENSION	
654	DCP8706L	7XD/2590-99-335-5013	BRACKET	
655	DGP101060	7XDW/2510-99-573-6255	PANEL, INTERIOR, VEHICULAR DOOR	
656	DJU100050	7XDW/5365-99-573-6256	SPACER	
657	DJZ100030	7XD/4020-99-878-8032	ROPE, FIBROUS	
658	DKB102930	7XDW/2540-99-666-4479	ARM, WINDSHIELD WIPER	
659	DKC100980	7XD/2540-99-223-2190	BLADE, WINDSHIELD WIPER	
660	DKV100000	7XDW/2540-99-573-6257	RACK, WINDSCREEN WIPER	
661	DLB101670	7XDW/2540-99-573-6258	MOTOR, WINDSHIELD WIPER, ELECTRIC	
662	DLB101680	7XDW/2540-99-573-6259	MOTOR, WINDSHIELD WIPER, ELECTRIC	
663	DLC100390	7XDW/5340-99-573-6260	BRACKET, MOUNTING	
664	DLH100170	7XDW/2540-99-573-6261	COVER, WINDSHIELD WIPER MOTOR	
665	DLH100180	7XDW/2540-99-573-6262	COVER, WINDSHIELD WIPER MOTOR	
666	DMB103060	7XDW/2540-99-457-7646	RESERVOIR ASSEMBLY, WINDSHIELD WASHER	

I T E M N O	Mfr Part Number	Catalogue Number	Item Name	Remarks
667	DMB103090	7XDW/2540-99-444-8004	RESERVOIR ASSEMBLY,	
668	DMC100590	7XDW/2540-99-573-6263	WINDSHIELD WASHER	
669	DMC100600	7XDW/2540-99-573-6264	PUMP, WINDSHIELD	
670	DMG10001L	7RU/5340-99-875-9992	WASHER, AUTOMOTIVE	
671	DMM100080	7XD/2590-99-735-2259	PUMP, WINDSHIELD	
672	DNC101720	7XDW/4720-99-951-8183	WASHER, AUTOMOTIVE	
673	DOP100000	7XDW/5325-99-573-6265	WASHER, AUTOMOTIVE	
674	DPB104360	7XDW/2540-99-573-6266	CAP, FILLER OPENING	
675	DRC1245	6MT4/5945-99-836-1971	PAD, CUSHIONING	
676	DUV100000	7XD/2510-99-663-7297	TUBING, NONMETALLIC	
677	DXU100200	7XDW/2510-99-573-6267	RING, RETAINING	
678	DXU100210	7XDW/2510-99-573-6268	BUMPER, VEHICULAR	
679	DYF100760	7XD/5310-99-758-0208	RETAINER, ELECTRICAL	
680	DYH10042L	7XDW/5310-99-113-3926	RELAY	
681	DYP10038L	7XD/5305-99-258-0145	FRAMEWORK, ROLLOVER	
682	DZA5097L	7RU/2540-99-846-0233	PROTECTION	
683	EAH104780	7XDW/2540-99-573-6269	PANEL, BODY, VEHICULAR	
684	EAH104790	7XDW/2540-99-573-6270	PANEL, BODY, VEHICULAR	
685	EAN101540	7XDW/9540-99-446-4445	WASHER, FLAT	
686	EDP7510L	7XD/5360-99-702-1419	NUT, PLAIN, EXTENDED	
687	EDZ100170	7XD/5340-99-430-0117	WASHER, HEXAGON	
688	EJB121940PMA	7XDW/2510-99-573-6272	SCREW	
689	EJB121950PMA	7XDW/2510-99-573-6273	ASH TRAY, TOBACCO	
690	EJG100090PMA	7XDW/2540-99-573-6274	MAT, FLOOR	
691	EJG100100PMA	7XDW/2540-99-573-6275	MAT, FLOOR	
692	EJG100120PMA	7XDW/2540-99-573-6276	ANGLE, STRUCTURAL	
693	EJO100030	7XDW/5340-99-573-6277	SPRING, HELICAL,	
694	EJP1504L	7XD/5331-99-551-1077	TORSION	
695	EKG103360PMA	7XDW/2510-99-573-6278	CLASP, STRAP	
696	EKG103370PMA	7XDW/2510-99-573-6279	PANEL, INTERIOR,	
697	ELB109450PMA	7XDW/2510-99-573-6280	VEHICULAR DOOR	
698	END100780	7XDW/2540-99-573-6281	PANEL, INTERIOR,	
699	END100790	7XDW/2540-99-573-6282	VEHICULAR DOOR	

I T E M N O	Mfr Part Number	Catalogue Number	Item Name	Remarks
700	END100800	7XDW/2540-99-573-6283	INSULATION, THERMAL, VEHICULAR	
701	END100810	7XDW/2540-99-573-6284	INSULATION, THERMAL, VEHICULAR	
702	ERC3725	7XD/5310-99-796-5434	WASHER, FLAT	
703	ERC3727	7XD/5360-99-796-5436	SPRING, HELICAL, COMPRESSION	
704	ERC4996	7RU/2590-99-978-1407	PLUG	
705	ERC5830	6MT1/5325-99-277-6621	GROMMET, RUBBER	
706	ERC5913	6MT1/5330-99-749-5532	RING, SEALING, TOROIDAL	
707	ERC5923	7RU/6620-99-739-9266	THERMOSTAT, FLOW CONTROL	
708	ERC7295	7RU/5365-99-732-7008	PLUG, SCREWED	
709	ERC9404	7XD/5340-99-788-7729	PLATE, CLIP RETAINER	
710	ERC9410	7RU/5365-99-779-9469	PLUG, SCREWED	
711	ERR1019	7XD/5307-99-126-2905	STUD, SHOULDERED	
712	ERR1084	7XD/5360-99-372-8937	SPRING, HELICAL, COMPRESSION	
713	ERR1085	7XD/2815-99-453-6315	PLUNGER, RELIEF VALVE	
714	ERR1086	7XD/4730-99-563-1354	PLUG, PIPE	
715	ERR1092	7XD/3030-99-661-9156	BELT, POSITIVE DRIVE	
716	ERR1094	7XD/2815-99-288-6644	PIPE, OIL DRAIN	
717	ERR1125	7RU/4730-99-084-4733	BOLT, FLUID PASSAGE	
718	ERR1156	7XD/2815-99-396-1086	VALVE, POPPET, ENGINE	
719	ERR1209	7XD/5365-99-241-5581	SPACER, RING	
720	ERR1304	7XD/5310-99-498-8538	WASHER, FLAT	
721	ERR1351	7XD/4720-99-342-1028	HOSE, PREFORMED	
722	ERR1471	7XD/2815-99-863-7592	BREATHER	
723	ERR1564	7XD/5310-99-306-4190	WASHER, FLAT	
724	ERR1630	7XD/5315-99-136-3456	PIN, STRAIGHT, HEADED	
725	ERR1653	7XD/5330-99-147-2779	GASKET	
726	ERR1939	7XD/5306-99-702-1268	BOLT, EXTERNALLY RELIEVED BODY	
727	ERR1972	7XD/3950-99-257-9891	TENSIONER PULLEY ASSEMBLY	
728	ERR1973	7XD/5310-99-464-7070	WASHER, FLAT	
729	ERR2023	7XD/5330-99-016-8704	GASKET	
730	ERR2026	7RU/5330-99-598-5820	GASKET	
731	ERR2027	7XD/5330-99-563-5893	GASKET	
732	ERR2028	7RU/5330-99-740-6512	GASKET	
733	ERR2081	7XD/6685-99-771-4469	TRANSMITTER, TEMPERATURE, ELECTRICAL RESISTANCE	
734	ERR2100	7XD/2815-99-020-7729	DEFLECTOR, DIRT AND LIQUID	
735	ERR2109	7XD/5330-99-517-2878	GASKET	
736	ERR2215	7XD/3030-99-492-8529	BELT, FLAT	
737	ERR2216	7XD/2815-99-957-4232	PLATE, RETAINING	
738	ERR2220	7XD/2815-99-052-4866	DAMPENER, VIBRATION, ENGINE	

I T E M N O	Mfr Part Number	Catalogue Number	Item Name	Remarks
739	ERR2228	7XD/5340-99-337-1072	BRACKET, MOUNTING	
740	ERR2241	7XD/2815-99-483-7279	ADAPTER	
741	ERR2266	7XD/2930-99-203-5045	VISCOUS UNIT	
742	ERR2317	7XD/2940-99-905-5051	HEAD, FLUID FILTER	
743	ERR2337	7XD/5340-99-372-4325	MOUNT, RESILIENT	
744	ERR2344	7XD/5330-99-257-9890	GASKET	
745	ERR2378	7XD/5330-99-761-7520	GASKET	
746	ERR2405	7XD/2815-99-733-6057	SPRING, ROCKER SHAFT	
747	ERR2409	7XD/5330-99-314-5872	GASKET	
748	ERR2732	7XD/5365-99-108-5067	SPACER, RING	
749	ERR2767	7XD/2815-99-408-1014	JET ASSEMBLY	
750	ERR2789	7XD/2930-99-925-2999	IMPELLER, FAN, AXIAL	
751	ERR2797	7XD/3020-99-232-4599	PULLEY, FLAT	
752	ERR2798	7XD/3020-99-810-4527	PULLEY, GROOVE	
753	ERR2850	7XD/5340-99-599-0128	BRACKET, MOUNTING	
754	ERR2851	7XD/5340-99-215-9081	BRACKET, MOUNTING	
755	ERR3084	7XD/4720-99-083-3672	HOSE, PREFORMED	
756	ERR321	7XD/2930-99-314-6000	LABEL, WARNING, RADIATOR FILLER	
757	ERR3283	7XD/5330-99-517-2863	GASKET	
758	ERR3284	7XD/5330-99-391-0683	GASKET	
759	ERR3286	7XD/5315-99-013-2214	PIN, HOLLOW	
760	ERR3291	7XD/6685-99-911-1451	THERMOSTAT, FLOW CONTROL	
761	ERR3306	7XD/2815-99-902-6802	SPILL RETURN RAIL ASSEMBLY	
762	ERR3314	7XD/2990-99-810-5755	VALVE, AIR, EMISSION CONTROL	
763	ERR3319	7XD/5330-99-500-6061	GASKET	
764	ERR3339	7XD/2910-99-820-3241	INJECTOR ASSEMBLY	
765	ERR3340	6MT1/2940-99-168-8920	FILTER ELEMENT, FLUID	
766	ERR3342	7XD/2815-99-832-8545	ROCKER ARM ASSEMBLY, ENGINE POPPET VALVE	
767	ERR3343	7XD/2815-99-474-4893	ROCKER ARM, ENGINE POPPET VALVE	
768	ERR335	7XD/4730-99-806-2880	ADAPTER, STRAIGHT, HOSE TO BOSS	
769	ERR3356	7XD/5330-99-446-3538	SEAL, PLAIN ENCASED	
770	ERR3417	7XD/5330-99-513-7497	RING, SEALING, TOROIDAL	
771	ERR3424	7XD/5310-99-126-2894	WASHER, SEAL	
772	ERR3457	7XD/2815-99-967-6117	PLUG	
773	ERR3468	7XD/5315-99-131-1498	PIN, STRAIGHT, HEADLESS	
774	ERR3479	7XD/2930-99-709-0776	THERMOSTAT AND HOUSING ASSEMBLY	
775	ERR3481	7XD/2815-99-500-5204	MANIFOLD, INTAKE	
776	ERR3490	7XD/5330-99-591-3167	GASKET	
777	ERR3539	7XD/4310-99-570-6283	VACUUM PUMP, ROTARY	
778	ERR3545	7XD/3020-99-168-9930	PULLEY, TIMING BELT	

I T E M N O	Mfr Part Number	Catalogue Number	Item Name	Remarks
779	ERR3580	7XD/4720-99-810-5757	HOSE, PREFORMED	
780	ERR3581	7XD/4720-99-810-5758	HOSE, NONMETALLIC	
781	ERR3622	7XD/4730-99-808-6986	PIPE, STUB	
782	ERR3683	7XD/5330-99-808-6985	RING, SEALING, TOROIDAL	
783	ERR3733	7XD/3020-99-301-6657	PULLEY, FLAT	
784	ERR3734	7XD/3020-99-832-3114	PULLEY, GROOVE	
785	ERR3735	7XD/3020-99-547-9683	PULLEY, GROOVE	
786	ERR3736	7XD/2815-99-924-2782	CASING, ENGINE	
787	ERR3737	7XD/2930-99-341-8255	CONNECTOR	
788	ERR3738	7XD/2930-99-258-0075	CONNECTOR	
789	ERR3756	7XD/2815-99-301-6541	HUB, CAMSHAFT PULLEY	
790	ERR3777	7XD/2815-99-417-6168	VALVE, POPPET, ENGINE	
791	ERR3779	7XD/2815-99-337-8340	BRACKET, ROCKER ARM ENGINE POPPET VALVE	
792	ERR3780	7XD/2910-99-738-4244	CLAMP, INJECTOR	
793	ERR3785	7XD/5330-99-832-3112	GASKET	
794	ERR3791	7XD/5330-99-113-3927	GASKET	
795	ERR3807	7XD/2815-99-219-6210	DEFLECTOR, DIRT AND LIQUID	
796	ERR3809	7XD/6680-99-356-7533	GAGE ROD, LIQUID LEVEL	
797	ERR4047	7XD/4810-12-344-2802	VALVE, SOLENOID	
798	ERR4084	7XD/2920-99-301-6525	GLOW PLUG	
799	ERR4085	7XD/2815-99-911-5804	GLOW PLUG TIMER UNIT	
800	ERR4120	7XD/5330-99-428-5072	GASKET	
801	ERR4175	7RU/2815-99-795-2805	CAP, VALVE STEM	
802	ERR4531	7XD/4710-99-406-9021	PIPE ASSEMBLY	
803	ERR4574	7RU/5306-99-152-4942	BOLT, MACHINE	
804	ERR4575	7XD/5330-99-911-1450	SEAL, PLAIN ENCASED	
805	ERR4576	7XD/5330-99-803-9431	SEAL, PLAIN ENCASED	
806	ERR4578	7XD/2815-99-567-0331	COVER, TIMING GEAR, INTERNAL COMBUSTION ENGINE	
807	ERR4621	7XD/5310-99-197-3955	WASHER, SEAL, INJECTOR	
808	ERR4640	7RU/5360-99-301-0001	SPRING, HELICAL, COMPRESSION	
809	ERR4664	7XD/2815-99-551-0078	CASING, ENGINE	
810	ERR4685	7RU/5330-99-022-5021	RING, SEALING, TOROIDAL	
811	ERR4686	7XD/4730-99-611-3334	PLUG, PIPE	
812	ERR4687	7XD/5307-99-708-8025	STUD, PLAIN	
813	ERR4688	7XD/5340-99-968-1898	CLAMP, LOOP	
814	ERR4691	7XD/2815-99-215-6469	COVER, ENGINE POPPET VALVE ROCKER ARM	
815	ERR4696	7XD/2815-99-199-1098	OIL PAN	
816	ERR4697	7XD/2590-99-709-0684	FILLER NECK, VEHICULAR COMPONENTS	
817	ERR4698	7XD/5340-99-748-1493	COVER, ACCESS	
818	ERR4706	7XD/2815-99-438-0050	BREATHER	
819	ERR4707	7XD/3020-99-500-4585	PULLEY, TIMING BELT	

I T E M N O	Mfr Part Number	Catalogue Number	Item Name	Remarks
820	ERR4708	7XD/3950-99-453-6316	TENSIONER PULLEY ASSEMBLY	
821	ERR4709	7XD/5315-99-203-6724	PIN, STRAIGHT, HEADLESS	
822	ERR4710	7XD/5330-99-983-0629	RING, SEALING, TOROIDAL	
823	ERR4723	7XD/2815-99-833-0012	HOUSING, FLYWHEEL	
824	ERR4802	7XD/2950-99-500-3534	EXHAUST MANIFOLD AND TURBO ASSEMBLY	
825	ERR4824	7XD/5340-99-930-7403	STRAP, RETAINING	
826	ERR4834	7XD/5310-99-341-1181	NUT, SLEEVE	
827	ERR4848	7XD/2815-99-201-8354	SHAFT, ROCKER ARM, ENGINE POPPET VALVE	
828	ERR4860	7XD/5330-99-301-6524	GASKET	
829	ERR4883	7XD/2815-99-396-1085	SCREW, ADJUSTING, VALVE TAPPET	
830	ERR4894	7XD/4720-99-535-6659	HOSE ASSEMBLY, NONMETALLIC	
831	ERR4895	7XD/4720-99-429-1903	HOSE ASSEMBLY, NONMETALLIC	
832	ERR4926	7XD/4720-99-452-1137	HOSE, NONMETALLIC	
833	ERR5021	7XD/2920-12-340-9761	STARTER, ENGINE, ELECTRICAL	
834	ERR5027	7XD/2815-99-588-2127	CYLINDER HEAD, DIESEL ENGINE	
835	ERR5034	7XD/5365-99-148-5392	PLUG, MACHINE THREAD	
836	ERR5041	7XD/5340-99-083-3460	CAP, FILLER OPENING	
837	ERR5056	7XD/2910-12-341-1167	PUMP, FUEL, METERING AND DISTRIBUTING	
838	ERR5057	7XD/2910-99-008-0827	PUMP, FUEL, CAM ACTUATED	
839	ERR5087	7XD/5305-99-147-2780	SCREW, MACHINE	
840	ERR5099	7XD/4720-99-244-6733	HOSE, NONMETALLIC	
841	ERR5215	7XD/5315-99-126-2893	KEY, WOODRUFF	
842	ERR5259	7XD/5340-99-417-7076	BRACKET, ANGLE	
843	ERR5261	7XD/5330-99-535-6620	GASKET	
844	ERR5262	7XD/5330-99-173-0311	GASKET	
845	ERR5263	7XD/5330-99-404-9078	GASKET	
846	ERR5455	7XD/5330-99-341-1251	GASKET	
847	ERR560	G1/5310-99-139-7831	NUT, PLAIN, HEXAGON	
848	ERR561	7RU/3120-99-056-3575	ROLLER, FOLLOWER	
849	ERR5691	7XD/5307-99-787-9346	STUD, PLAIN	
850	ERR5732	7XD/4710-99-234-4558	TUBE ASSEMBLY, DELIVERY/MIXER	
851	ERR5870	7XD/2590-99-225-6189	BRACKET, VEHICULAR COMPONENTS	
852	ERR5911	7XD/3030-01-448-7838	BELT, FLAT	
853	ERR6005	7XD/3030-99-126-2895	BELT, FLAT	
854	ERR607	7RU/2990-99-352-6858	TAPPET, ENGINE POPPET VALVE	
855	ERR6811	7XD/5330-99-244-7830	GASKET	

I T E M N O	Mfr Part Number	Catalogue Number	Item Name	Remarks
856	ERR6818	7XD/5330-99-522-1039	SEAL ASSEMBLY, OIL	
857	ERR6835	7XD/5340-99-445-2023	BRACKET, ANGLE	
858	ERR7143	7XD/5330-99-663-6056	SEAL, PLAIN ENCASED	
859	ERR7147	7XD/2590-99-573-6008	COVER, TIMING GEAR, INTERNAL COMBUSTION ENGINE	
860	ERR7154	7XD/5330-99-348-2153	GASKET	
861	ERR7173	7XD/5330-99-957-4779	GASKET	
862	ERR719	7XD/2815-99-873-4685	FLYWHEEL, ENGINE	
863	ERR7249	7XD/5340-99-279-8118	COVER, ACCESS	
864	ERR7250	7XD/5330-99-551-1866	GASKET	
865	ERR7293	7XD/5330-99-500-6058	GASKET	
866	ERR7295	7XD/3020-99-549-8671	PULLEY, GROOVE	
867	ERR7297	7XD/5330-99-414-6569	CAP-PLUG, PROTECTIVE, DUST AND MOISTURE SEAL	
868	ERR7298	7XD/2815-99-851-1999	DEFLECTOR, DIRT AND LIQUID	
869	ERR7299	7XD/2910-99-670-4635	PUMP, FUEL, METERING AND DISTRIBUTION	
870	ERR7327	7XD/5365-99-126-5041	PLUG, MACHINE THREAD	
871	ERR7328	7XD/4720-99-810-8296	PIPE ASSEMBLY	
872	ERR7330	7XD/5310-99-020-7905	WASHER, FLAT	
873	ERR7331	7XD/4730-99-004-1399	BOLT, FLUID PASSAGE	
874	ERR7339	7XD/5330-99-990-0053	GASKET	
875	ERR7386	7XD/2920-99-462-8092	ARM, ADJUSTING, BELT TENSION	
876	ERR7387	7XD/3950-99-870-6707	TENSIONER PULLEY ASSEMBLY	
877	ERR874	7XD/2815-99-931-6610	BAFFLE PLATE	
878	ERR886	7XD/4730-99-702-1281	BOLT, FLUID, PASSAGE	
879	ERR894	7XD/5310-99-930-7388	WASHER, FLAT	
880	ERR900	7XD/5340-99-663-3019	RETAINING WASHER, TENSIONER	
881	ERR913	7RU/5330-99-215-9731	PACKING STRIP, REAR MAIN BEARING	
882	ESR1287	7RU/4720-99-197-0527	HOSE, AIRBREATHING	
883	ESR1373	7XD/5340-99-808-7620	CLIP, SPRING TENSION	
884	ESR1469	7XD/5340-12-190-9382	STRAP, RETAINING	
885	ESR1594	7XD/5330-99-149-8373	RING, SEALING, TOROIDAL	
886	ESR1650	7XD/5330-99-439-7214	GASKET	
887	ESR1800	7XD/5340-99-371-0624	CLIP, SPRING TENSION	
888	ESR1931	7XD/4710-99-701-9780	PIPE, OIL COOLER TO ENGINE	
889	ESR2033	7XD/5310-99-774-7188	NUT, PLAIN, HEXAGON	
890	ESR2034	7XD/5310-99-591-3206	NUT, SELF-LOCKING, HEXAGON	
891	ESR2055	7XD/2990-99-807-7140	PIPE	
892	ESR2084	7XD/4710-99-577-3808	PIPE, TRANSMISSION-OIL COOLER, FRONT	

I T E M N O	Mfr Part Number	Catalogue Number	Item Name	Remarks
893	ESR2085	7XD/4710-99-623-9025	PIPE, OIL COOLER-	
894	ESR2087	7XD/5340-99-611-3340	TRANSMISSION, FRONT	
895	ESR2119	7XD/5340-99-739-0647	BRACKET, MOUNTING	
896	ESR2120	7XD/5340-99-051-9415	MOUNTING RUBBER	
897	ESR2131	7XD/2990-99-453-8081	CLAMP, LOOP	
898	ESR2204	7XD/2910-99-581-0565	HANGER, ENGINE	
899	ESR2242	7XD/2910-99-147-2830	EXHAUST SYSTEM	
900	ESR2243	7XD/2910-99-938-2327	CRADLE, FUEL TANK	
901	ESR2297	7XD/2990-99-062-6224	TANK, FUEL, ENGINE	
902	ESR2298	7XD/4720-99-196-9782	TANK, FUEL, ENGINE	
903	ESR2308	7XD/2930-99-126-1509	PIPE, EXHAUST	
904	ESR2309	7XD/4720-99-215-5223	HOSE, PREFORMED	
905	ESR2313	7XD/5340-99-665-4483	FAN COWL	
906	ESR2383	7XD/2990-99-096-4321	HOSE, PREFORMED	
907	ESR2384	7XD/2990-99-126-5042	BRACKET, MOUNTING	
908	ESR2385	7XD/2990-99-215-7378	MUFFLER, EXHAUST	
909	ESR2386	7XD/2990-99-310-0849	MUFFLER, EXHAUST	
910	ESR2416	7XD/5340-99-535-6710	MUFFLER, EXHAUST	
911	ESR2422	7XD/2990-99-391-0779	PIPE, EXHAUST	
912	ESR2427	7XD/2540-99-322-3334	BRACKET, MOUNTING	
913	ESR2429	7XD/2540-99-663-3842	MUFFLER, EXHAUST	
914	ESR2430	7XD/4720-99-873-2310	MUFFLER, EXHAUST	
915	ESR2431	7XD/4720-99-877-7939	PIPE, EXHAUST	
916	ESR2435	7XD/5340-99-301-6795	BRACKET, MOUNTING	
917	ESR2579	7XD/5340-99-821-2102	GUARD, MUFFLER-	
918	ESR2611	7XD/5340-99-709-0706	EXHAUST PIPE,	
919	ESR2662	7XD/5340-99-588-2014	NONAIRCRAFT	
920	ESR2729	7XD/4720-99-846-0361	DUCT ASSEMBLY, AIR	
921	ESR2730	7XD/4720-99-427-7812	CONDITIONING-HEATING,	
922	ESR2731	7XD/4730-99-348-9821	VEHICULAR	
923	ESR2739	7XD/2990-99-257-9963	DUCT ASSEMBLY, AIR	
924	ESR2747	7XD/2940-99-894-8658	CONDITIONING-HEATING,	
925	ESR2749	7XD/4710-99-335-4881	VEHICULAR	
926	ESR2945	7XD/2990-99-974-7260	DUCT ASSEMBLY, AIR	
927	ESR301	7XD/5340-99-215-6422	CONDITIONING-HEATING,	
928	ESR3028	7XD/2940-99-702-1437	VEHICULAR	
929	ESR3100	7XD/5340-99-836-2646	DUCT ASSEMBLY, AIR	
930	ESR3101	7XD/5340-99-821-2018	CONDITIONING-HEATING,	

I T E M N O	Mfr Part Number	Catalogue Number	Item Name	Remarks
931	ESR3102	7XD/5365-99-722-6282	BUSHING, NONMETALLIC	
932	ESR3105	7XD/4720-99-301-8367	TUBING ASSEMBLY, NONMETALLIC	
933	ESR3107	7XD/4720-99-327-4125	TUBING ASSEMBLY, NONMETALLIC	
934	ESR3111	7XD/4730-99-810-5756	HOSE ASSEMBLY	
935	ESR3118	7XD/4710-99-257-9975	PIPE, FUEL, DIESEL, COMBINED ASSEMBLY	
936	ESR3121	7XD/4720-99-196-9783	HOSE, PREFORMED	
937	ESR3125	7XD/4720-99-709-4825	TUBING ASSEMBLY, NONMETALLIC	
938	ESR3129	7XD/4720-99-075-7848	TUBING ASSEMBLY, NONMETALLIC	
939	ESR3162	7XD/2940-99-052-0119	WATER DRAIN VALVE ASSEMBLY	
940	ESR3163	7XD/2940-99-422-9524	DUMP VALVE AND BRACKET ASSEMBLY, LEFT HAND	
941	ESR3172	7XD/5340-99-940-5918	MOUNT, RESILIENT	
942	ESR3173	7XD/2540-99-052-0118	DUCT ASSEMBLY, AIR CONDITIONING-HEATING, VEHICULAR	
943	ESR3175	7XD/2540-99-874-3540	DUCT ASSEMBLY, AIR CONDITIONING-HEATING, VEHICULAR	
944	ESR3229	7XD/2520-99-934-6677	COOLER, FLUID, TRANSMISSION	
945	ESR3235	7XD/4710-99-052-0356	TUBING ASSEMBLY, NONMETALLIC	
946	ESR3260	7XD/5330-99-392-9448	GASKET	
947	ESR3277	7XD/5330-99-301-6736	GASKET	
948	ESR3278	7XD/5330-99-832-3173	GASKET	
949	ESR3282	7XD/5330-99-996-0513	SEAL, NONMETALLIC SPECIAL SHAPED SECTION	
950	ESR3283	7XD/5330-99-808-7654	GASKET	
951	ESR3284	7XD/5330-99-203-8377	GASKET	
952	ESR3285	7XD/5330-99-664-9679	RING, SEALING, TOROIDAL	
953	ESR3286	7XD/2940-99-850-3965	AIR CLEANER, INTAKE	
954	ESR3293	7XD/5340-99-535-6959	BRACKET, MOUNTING	
955	ESR3294	7XD/5340-99-808-7971	BRACKET, MOUNTING	
956	ESR3301	7XD/5340-99-599-0136	STRAP, LINE SUPPORTING	
957	ESR3308	7XD/4720-99-549-1979	TUBING, NONMETALLIC	
958	ESR3386	7XD/4710-99-384-0480	TUBE ASSEMBLY, METAL	
959	ESR3387	7XD/4710-99-126-4155	TUBE ASSEMBLY, METAL	
960	ESR3436	7XD/4720-99-991-2408	BLEED HOSE ASSEMBLY	
961	ESR3458	7XD/2590-99-870-6687	BRACKET, VEHICULAR COMPONENTS	
962	ESR3462	7XD/2990-99-894-1255	MUFFLER, EXHAUST	
963	ESR3483	7XD/5340-99-981-9226	BRACKET, MOUNTING	
964	ESR3495	7XD/2990-99-157-8791	PIPE, EXHAUST	

I T E M N O	Mfr Part Number	Catalogue Number	Item Name	Remarks
965	ESR354	7XD/5310-99-480-7492	WASHER, FLAT	
966	ESR3686	7XD/2930-99-425-4757	RADIATOR AND INTERCOOLER ASSEMBLY	
967	ESR3690	7XD/4710-99-500-6063	PIPE, OIL COOLER TO ENGINE	
968	ESR3691	7XD/4710-99-227-3108	PIPE, ENGINE TO OIL COOLER	
969	ESR3857	7XD/5310-99-551-2668	WASHER, FLAT	
970	ESR4181	7XD/2990-99-535-6684	MUFFLER, EXHAUST	
971	ESR4431	7XD/4710-99-957-4406	TUBE ASSEMBLY, METAL	
972	ESR4432	7XD/4710-99-439-7312	TUBE ASSEMBLY, METAL	
973	ESR4526	7XD/2990-99-731-5821	MUFFLER, EXHAUST	
974	ESR4527	7XD/2990-99-894-8709	PIPE, EXHAUST	
975	ESR4569	7XD/2940-99-593-8653	GRILLE	
976	ESR4570	7XD/2940-99-930-7643	GRILLE	
977	ESR489	7XD/2590-99-840-3754	FRAME, OIL COOLER	
978	ESR63	7XD/2930-99-346-9855	TANK, RADIATOR, OVERFLOW	
979	ETC4068	7RU/5340-99-779-9484	SEAT, HELICAL COMPRESSION SPRING	
980	ETC4069	7RU/2805-99-779-9485	COLLET, SPLIT	
981	ETC4246	7RU/5305-99-788-1265	SCREW, SET	
982	ETC4922	7XD/5365-99-788-7742	PLUG, SCREWED	
983	ETC5577	7RU/5365-99-839-5444	PLUG, SCREWED	
984	ETC5592	7RU/4820-99-734-9038	VALVE, RELIEF	
985	ETC6531	7RU/2815-99-734-9031	ADAPTOR, OIL JET	
986	ETC6532	7RU/2815-99-734-9037	ADAPTOR, OIL JET	
987	ETC7357	7RU/5306-99-973-1626	BOLT, RIBBED NECK	
988	ETC7884	7XD/5325-99-244-0288	RING, RETAINING	
989	ETC8003	7XD/2815-99-052-0348	GUIDE, VALVE STEM	
990	ETC8031	7XD/2815-99-596-9376	BRACKET, ENGINE LIFTING	
991	ETC8036	7XD/2815-99-967-5699	BRACKET, ENGINE LIFTING	
992	ETC8191	7RU/5310-99-701-0923	NUT, CONNECTING ROD	
993	ETC8193	7XD/5340-99-257-9909	SEAT	
994	ETC8352	7XD/5315-99-832-3113	PIN, SPRING	
995	ETC8442	7RU/3120-99-425-4491	BEARING, SLEEVE	
996	ETC8560	7XD/3020-99-605-8205	PULLEY, FLAT	
997	ETC8663	7XD/5330-99-727-8334	SEAL, PLAIN ENCASED	
998	ETC8808	7XD/5306-99-500-4586	BOLT, EXTERNALLY RELIEVED BODY	
999	ETC8810	7XD/5306-99-126-2896	BOLT, EXTERNALLY RELIEVED BODY	
1000	ETC8820	7XD/4730-99-299-8082	ADAPTER, STRAIGHT, HOSE TO BOSS	
1001	ETD103270	7XDW/2540-99-681-5422	INSULATION, THERMAL, VEHICULAR	
1002	ETO100000	7XDW/2540-99-573-6286	INSULATION, THERMAL, VEHICULAR	

ITEM NO	Mfr Part Number	Catalogue Number	Item Name	Remarks
1003	ETO100010	7XDW/2540-99-573-6287	INSULATION, THERMAL, VEHICULAR	
1004	ETO100020	7XDW/2540-99-573-6288	INSULATION, THERMAL, VEHICULAR	
1005	ETO100030	7XDW/2540-99-573-6289	INSULATION, THERMAL, VEHICULAR	
1006	ETO100040	7XDW/2540-99-573-6290	INSULATION, THERMAL, VEHICULAR	
1007	ETO100050	7XDW/2540-99-573-6291	INSULATION, THERMAL, VEHICULAR	
1008	ETU100400	7XDW/2540-99-573-6292	INSULATION, THERMAL, VEHICULAR	
1009	ETU100410	7XDW/2540-99-573-6293	INSULATION, THERMAL, VEHICULAR	
1010	ETU100420	7XDW/2540-99-573-6294	INSULATION, THERMAL, VEHICULAR	
1011	ETU100430	7XDW/2540-99-573-6295	INSULATION, THERMAL, VEHICULAR	
1012	ETU100440	7XDW/2540-99-573-6296	INSULATION, THERMAL, VEHICULAR	
1013	ETU100450	7XDW/2540-99-573-6297	INSULATION, THERMAL, VEHICULAR	
1014	ETU100460	7XDW/2540-99-573-6298	INSULATION, THERMAL, VEHICULAR	
1015	EYB10009L	7XD/5325-99-710-9251	GROMMET BLANK, NONMETALLIC	
1016	FAJ100020	7XD/5330-99-488-6082	SEAL, NONMETALLIC STRIP	
1017	FAM9270	7ML/2530-99-781-5516	COLLAR, DRIVESHAFT	
1018	FBX100360	7XDW/2510-99-573-6299	PANEL, VEHICULAR OPERATION	
1019	FB105051L	7XD/5306-99-724-8073	BOLT, MACHINE	
1020	FB106075L	7XD/5306-99-805-8733	BOLT, MACHINE	
1021	FB106111L	7XD/5306-99-425-3926	BOLT, MACHINE	
1022	FB108071L	7XD/5306-99-537-5178	BOLT, MACHINE	
1023	FB108081L	G1/5305-99-122-5254	SCREW, CAP, HEXAGON HEAD	
1024	FB108091L	7XD/5306-99-943-7502	BOLT, MACHINE	
1025	FB108101	7XD/5306-99-386-7655	BOLT, MACHINE	
1026	FB108111L	7XD/5306-99-573-7557	BOLT, MACHINE	
1027	FB108121L	7XD/5306-99-126-6545	BOLT, MACHINE	
1028	FB108161L	7XD/5306-99-907-9129	BOLT, MACHINE	
1029	FB108171	7XD/5306-99-970-2459	BOLT, MACHINE	
1030	FB108201L	7XD/5306-99-279-8117	BOLT, MACHINE	
1031	FB108221	7XD/5306-99-771-5282	BOLT, MACHINE	
1032	FB108251	7XD/5306-99-599-0642	BOLT, MACHINE	
1033	FB108261	7XD/5306-99-404-9053	BOLT, MACHINE	
1034	FB110071L	7XD/5305-99-896-0088	SCREW, CAP, HEXAGON HEAD	
1035	FB110071ML	7XD/5305-99-976-1887	SCREW, CAP, HEXAGON HEAD	

I T E M N O	Mfr Part Number	Catalogue Number	Item Name	Remarks
1036	FB110091ML	7XD/5305-99-219-3197	SCREW, CAP, HEXAGON HEAD	
1037	FB110131L	7XD/5306-99-270-5428	BOLT, MACHINE	
1038	FCL101020	7XDW/5340-99-573-6300	COVER, ACCESS	
1039	FCX100150	7XDW/9905-99-463-0221	PLATE, INSTRUCTION	
1040	FCZ100050	7XDW/5340-99-983-5856	PANEL, BLANK	
1041	FC108137	7XD/5306-99-898-5003	BOLT, MACHINE	
1042	FC108247	7XD/5306-99-392-1066	BOLT, MACHINE	
1043	FHR100430	7XDW/6150-99-573-6301	WIRING HARNESS, BRANCHED	
1044	FN105047L	7XD/5310-99-414-6661	NUT, PLAIN, EXTENDED	
1045	FN106047L	7XD/5310-99-601-8073	WASHER, HEXAGON NUT, PLAIN, EXTENDED	
1046	FN108041L	7RU/5310-99-499-8033	WASHER, HEXAGON NUT, EXTENDED WASHER, HEXAGON	
1047	FN108047L	7XD/5310-99-499-8033	NUT, PLAIN, EXTENDED WASHER, HEXAGON	
1048	FN110041	G1/5310-99-122-5297	NUT, PLAIN, HEXAGON	
1049	FN110047	7XD/5310-99-761-1086	NUT, PLAIN, EXTENDED WASHER, HEXAGON	
1050	FN110047L	7XD/5310-99-762-3074	NUT, PLAIN, EXTENDED WASHER, HEXAGON	
1051	FRC2310	7RU/2530-99-797-7052	DEFLECTOR, DIRT AND LIQUID	
1052	FRC2365	6MT1/5330-99-792-0781	SEAL, PLAIN	
1053	FRC2464	7RU/5330-99-792-0902	FELT, MECHANICAL, PREFORMED	
1054	FRC2481	7RU/5315-99-792-0826	PIN, HOLLOW	
1055	FRC2482	7RU/5315-99-792-0833	PIN, HOLLOW	
1056	FRC2626	7RU/2520-99-792-8059	PIN, SPRING	
1057	FRC2883	7RU/2530-99-797-7039	SHIM, KINGPIN	
1058	FRC2884	7RU/2530-99-797-7040	SHIM, KINGPIN	
1059	FRC2885	7RU/2530-99-797-7041	SHIM, KINGPIN	
1060	FRC2886	7RU/5365-99-788-7773	SPACER, PLATE	
1061	FRC2894	7RU/2530-99-797-7045	KINGPIN, STEERING KNUCKLE	
1062	FRC3162	7RU/3020-99-792-0906	GEAR, WORM	
1063	FRC3286	7RU/2520-99-792-5592	BUSH, SPEEDOMETER DRIVE	
1064	FRC3310	7RU/3040-99-792-0909	GEARSHAFT, HELICAL	
1065	FRC3327	7RU/5340-99-729-9842	CLIP, SPRING TENSION	
1066	FRC3412	6MT10/4730-99-823-7480	PLUG, PIPE	
1067	FRC3416	7RU/2540-99-729-9840	STAPLE, CLUTCH SLEEVE	
1068	FRC3502	7RU/2530-99-798-0216	BRAKE DRUM	
1069	FRC3602	G1/5306-99-941-6598	BOLT, MACHINE	
1070	FRC3725	7RU/2530-99-797-7046	BRACKET, RETAINING	
1071	FRC4282	7RU/5306-99-792-0780	BOLT, MACHINE	
1072	FRC4434	7RU/5315-99-792-0797	PIN, GROOVED, HEADED	
1073	FRC4435	7RU/2520-99-792-0798	ROLLER, QUADRANT	

I T E M N O	Mfr Part Number	Catalogue Number	Item Name	Remarks
1074	FRC4499	7RU/5340-99-792-0920	BUSHING, NONMETALLIC	
1075	FRC4808	7RU/5330-99-792-0835	GASKET, MAGNETIC PLUG	
1076	FRC4951	6MT1/5330-99-538-7773	RING, SEALING, TOROIDAL	
1077	FRC5076	7RU/5340-99-792-0918	BUSHING, NONMETALLIC	
1078	FRC5204	7RU/2520-99-792-6565	LOCKNUT, DIFFERENTIAL BEARING	
1079	FRC5255	7RU/2540-99-729-9839	SLIPPER PAD, CLUTCH LEVER	
1080	FRC5280	6MT7/3110-99-792-0710	ROLLER ASSEMBLY, JOURNAL BEARING	
1081	FRC5415	7RU/2520-99-792-0837	COVER PLATE, TRANSFER BOX	
1082	FRC5440	7RU/2520-99-792-0879	CLUTCH, SLIDING SLEEVE	
1083	FRC5442	7RU/2520-99-792-0901	FLANGE, COMPANION, UNIVERSAL JOINT	
1084	FRC5446	7RU/5365-99-792-5591	SPACER, SLEEVE	
1085	FRC5449	7RU/2520-99-792-0878	SHAFT, SHOULDERED	
1086	FRC5450	7RU/2520-99-792-0905	SHAFT, SHOULDERED	
1087	FRC5469	7RU/2520-99-792-0893	SEAT, HELICAL COMPRESSION SPRING	
1088	FRC5473	46MT1/5330-99-781-9385	RING, SEALING, TOROIDAL	
1089	FRC5478	7RU/2520-99-792-0927	ARM, OPERATING HIGH/LOW	
1090	FRC5479	6MT1/5330-99-792-0912	RING, SEALING, TOROIDAL	
1091	FRC5480	7RU/2520-99-792-0911	CRANK ARM, GEARCHANGE	
1092	FRC5562	7RU/5360-99-792-0899	SPRING, HELICAL, COMPRESSION	
1093	FRC5564	46MT7/3110-99-950-1494	BEARING, ROLLER, TAPERED	
1094	FRC5574	7RU/2520-99-792-0915	BUSH, SUPPORTING, CROSS-SHAFT	
1095	FRC5575	6MT1/5330-99-792-0870	RING, SEALING, TOROIDAL	
1096	FRC5576	6MT1/5330-99-792-0896	RING, SEALING, TOROIDAL	
1097	FRC5594	7RU/5315-99-792-0834	DOWEL	
1098	FRC5859	7RU/2520-99-792-0792	BUSHING, NONMETALLIC	
1099	FRC5864	7RU/2520-99-792-0791	YOKE, SELECTOR SHAFT	
1100	FRC5926	7RU/5306-99-792-4045	BOLT, RIBBED NECK	
1101	FRC6030	7RU/2520-99-792-0891	SHAFT, STRAIGHT	
1102	FRC6104	7XD/2510-99-788-7836	COVER PLATE, ACCESS	
1103	FRC6106	7RU/2520-99-792-0876	HOUSING, CROSS-SHAFT, GEARCHANGE	
1104	FRC6109	7RU/2520-99-792-5589	SHIFTER FORK	
1105	FRC6110	6MT1/5340-99-792-0894	PLUG, EXPANSION	
1106	FRC6145	7RU/5365-99-792-0652	PLUG, SCREWED, MAGNETIC	
1107	FRC6782	7RU/5365-99-797-7056	SPACER, RING	
1108	FRC6783	7RU/5365-99-797-7057	SPACER, RING	
1109	FRC6784	7RU/5365-99-797-7058	SPACER, RING	
1110	FRC6785	7RU/5365-99-788-8038	SPACER, RING	

I T E M N O	Mfr Part Number	Catalogue Number	Item Name	Remarks
1111	FRC6786	7RU/5365-99-788-8039	SPACER, RING	
1112	FRC6787	7RU/5365-99-788-8044	SPACER, RING	
1113	FRC6788	7RU/5365-99-788-8075	SPACER, RING	
1114	FRC6789	7RU/5365-99-788-8076	SPACER, RING	
1115	FRC6790	7RU/5365-99-788-8077	SPACER, RING	
1116	FRC6872	7RU/2520-99-792-0924	BOOT, DUST AND MOISTURE SEAL	
1117	FRC6873	7RU/5340-99-792-9849	PLATE, SECURING, BOOT	
1118	FRC6943	7RU/2530-99-788-8083	HOUSING, MECHANICAL DRIVE	
1119	FRC6968	7RU/3120-99-792-0856	WASHER, THRUST	
1120	FRC7065	7RU/2530-99-701-6631	HOUSING, SWIVEL BEARING	
1121	FRC7155	7RU/2520-99-792-0812	HOUSING, GEAR LEVER	
1122	FRC7160	7RU/2540-99-723-4286	BOOT, DUST AND MOISTURE SEAL	
1123	FRC7201	7RU/2530-99-797-7044	BRACKET, RETAINING	
1124	FRC7202	7RU/2530-99-797-7043	BRACKET, RETAINING	
1125	FRC7333	7RU/2520-99-792-0796	QUADRANT, SELECTOR SHAFT	
1126	FRC7334	7RU/2520-99-792-0790	SHAFT, STRAIGHT	
1127	FRC7335	6MT1/5315-99-792-0800	PIN, SPRING	
1128	FRC7414	7RU/5360-99-792-0815	SPRING, HELICAL, TORSION	
1129	FRC7437	7RU/2520-99-724-5844	SPACER, SLEEVE	
1130	FRC7439	6MT1/5330-99-547-0869	RING, SEALING, TOROIDAL	
1131	FRC7441	7RU/3120-99-739-2774	BEARING, SLEEVE	
1132	FRC7453	7RU/5310-99-724-7224	NUT, SLEEVE	
1133	FRC7454	6MT1/5365-99-739-2764	RING, RETAINING	
1134	FRC7487	7RU/2520-99-774-4392	LEVER, GEAR CHANGE	
1135	FRC7499	7RU/2520-99-739-2768	RING, RETAINING, CROSS PIN	
1136	FRC7686	7RU/2520-99-739-2781	HOUSING ASSEMBLY, SELECTOR	
1137	FRC7855	7XD/2940-99-818-0394	FILTER ELEMENT, FLUID	
1138	FRC7860	7RU/2530-99-720-8134	LEVER, MANUAL CONTROL	
1139	FRC7871	6MT7/3110-99-723-6390	BEARING, TAPERED, ROLLER	
1140	FRC7886	7RU/2520-99-723-3376	WASHER, FLAT	
1141	FRC7926	7RU/2520-99-739-2769	DIFFERENTIAL ASSEMBLY	
1142	FRC7929	7RU/2520-99-739-2778	SHIFTER FORK	
1143	FRC7970	7RU/5310-99-724-7225	NUT, PLAIN, ROUND	
1144	FRC8075	7RU/2520-99-739-2787	FORK END	
1145	FRC8202	7RU/5315-99-781-9340	PIVOT PIN	
1146	FRC8203	7RU/2520-99-774-4391	CROSS SHAFT, TRANSFER GEAR CHANGE	
1147	FRC8239	7RU/2520-99-787-5429	RETAINER, INTERLOCK	
1148	FRC8291	7RU/2520-99-739-2765	SPOOL SHAFT, SHOULDERED	

I T E M N O	Mfr Part Number	Catalogue Number	Item Name	Remarks
1149	FRC8292	6MT1/5330-99-537-6797	RING, SEALING, TOROIDAL	
1150	FRC8386	7RU/2520-99-839-9963	PROPELLER SHAFT	
1151	FRC8393	7XD/2520-99-595-4640	PROPELLER SHAFT	
1152	FRC8530	7RU/5310-99-785-8997	WASHER, FLAT	
1153	FRC8548	6MT1/5340-99-209-9070	CLIP, SPRING TENSION	
1154	FRC8561	7RU/2520-99-774-4395	GATE PLATE, FOUR WHEEL DRIVE	
1155	FRC8700	7RU/5310-99-849-8887	NUT, PLAIN, HEXAGON	
1156	FRC8724	7RU/2520-99-792-0813	LEVER, GEAR CHANGE	
1157	FRC8766	7RU/5315-99-774-4393	PIN, GROOVED, HEADED	
1158	FRC8767	6MT1/5315-99-781-9338	PIN, GROOVED, HEADED	
1159	FRC8775	7RU/5340-99-062-2057	BRACKET, ANGLE	
1160	FRC8900	7RU/2520-99-724-8521	CROSS SHAFT ASSEMBLY	
1161	FRC9310	7XD/5340-99-302-2282	STRAP, RETAINING	
1162	FRC9427	7XD/2520-99-957-6058	PIPE, BREATHER	
1163	FRC9430	7RU/2520-99-943-1117	PIPE, PLASTICS, SEMI RIGID	
1164	FRC9460	7RU/3020-99-774-4383	GEAR CLUSTER, SPUR	
1165	FRC9470N	7RU/2520-99-244-2575	TRANSFER GEARBOX	
1166	FRC9549	7RU/5365-99-774-4389	PLUG, SCREWED	
1167	FRC9555	7RU/2520-99-774-4390	GEAR CHANGE ASSEMBLY	
1168	FRC9845	7RU/3120-99-087-1051	BEARING, WASHER, THRUST	
1169	FRC9847	7RU/3120-99-391-0099	BEARING, WASHER, THRUST	
1170	FRC9849	7RU/3120-99-016-0487	WASHER, THRUST	
1171	FRC9853	7RU/3120-99-051-6994	BEARING, WASHER, THRUST	
1172	FRC9930	7RU/5365-99-790-1403	SPACER, RING	
1173	FRC9934	7RU/5365-99-790-1406	SPACER, RING	
1174	FRC9938	7RU/5365-99-790-1408	SPACER, RING	
1175	FRC9942	7RU/5365-99-790-1410	SPACER, RING	
1176	FRC9946	7RU/5365-99-790-1412	SPACER, RING	
1177	FRC9950	7RU/5365-99-790-1414	SPACER, RING	
1178	FRC9954	7RU/5365-99-790-1416	SPACER, RING	
1179	FRC9958	7RU/5365-99-790-1418	SPACER, RING	
1180	FS105101	7XD/5305-99-591-1498	SCREW, CAP, HEXAGON HEAD	
1181	FS105107	7XDW/5305-99-865-8193	SCREW, CAP, HEXAGON HEAD	
1182	FS106125L	7XD/5305-99-437-8921	SCREW, CAP, HEXAGON HEAD	
1183	FS106127L	7XDW/5305-99-410-5183	SCREW, CAP, HEXAGON HEAD	
1184	FS106161L	G1/5305-99-122-5360	SCREW, CAP, HEXAGON HEAD	
1185	FS106161ML	G1/5305-99-122-5360	SCREW, CAP, HEXAGON HEAD	
1186	FS106167L	7XD/5305-99-096-4551	SCREW, CAP, HEXAGON HEAD	

I T E M N O	Mfr Part Number	Catalogue Number	Item Name	Remarks
1187	FS106201	7XD/5306-99-663-5061	BOLT, MACHINE	
1188	FS106201L	7XD/5306-99-663-5061	BOLT, MACHINE	
1189	FS106207L	7XD/5305-99-737-6170	SCREW, CAP, HEXAGON HEAD	
1190	FS106251M	7XD/5305-99-108-5073	SCREW, CAP, HEXAGON HEAD	
1191	FS106255L	7XD/5305-99-702-1809	SCREW, CAP, HEXAGON HEAD	
1192	FS106257L	7XD/5305-99-690-6664	SCREW, CAP, HEXAGON HEAD	
1193	FS108061	7XD/5305-99-451-2559	SCREW, CAP, HEXAGON HEAD	
1194	FS108127L	7XD/5306-99-663-3020	BOLT, MACHINE	
1195	FS108161L	7XD/5305-99-500-5203	SCREW, CAP, HEXAGON HEAD	
1196	FS108201	G1/5305-99-122-5366	SCREW, CAP, HEXAGON HEAD	
1197	FS108201L	G1/5305-99-122-5366	SCREW, CAP, HEXAGON HEAD	
1198	FS108207L	7XD/5306-99-702-1830	BOLT, MACHINE	
1199	FS108251L	7RU/2520-99-277-6018	SCREW, FLANGE	
1200	FS108251ML	7XD/5305-99-230-0092	SCREW, CAP, HEXAGON HEAD	
1201	FS108257L	7XD/5305-99-454-3492	SCREW, CAP, HEXAGON HEAD	
1202	FS108301S	7XD/5305-99-600-5953	SCREW, CAP, HEXAGON HEAD	
1203	FS108305	7XD/5305-99-805-5684	SCREW, CAP, HEXAGON HEAD	
1204	FS108307L	7XD/5305-99-255-9131	SCREW, CAP, HEXAGON HEAD	
1205	FS108351L	7XD/5306-99-723-1821	BOLT, MACHINE	
1206	FS108357	7XDW/5305-99-397-9020	SCREW, CAP, HEXAGON HEAD	
1207	FS110251L	7FW/5305-99-842-0480	SCREW, MACHINE	
1208	FS110301L	G1/5306-99-122-4911	BOLT, MACHINE	
1209	FS112301P	7XD/5306-99-126-7302	BOLT, MACHINE	
1210	FS112401L	7XD/5305-99-957-4398	SCREW, CAP, HEXAGON HEAD	
1211	FTC1368	7RU/5306-99-968-0840	BOLT, MACHINE	
1212	FTC1381	7RU/2530-99-765-4749	DISC, BRAKE	
1213	FTC1441	6MT1/5330-99-792-0896	RING, SEALING, TOROIDAL	
1214	FTC1748	7RU/2520-99-199-4864	CASING, GEARBOX	
1215	FTC1919	7XD/5307-99-439-7211	STUD, SHOULDERED	
1216	FTC1994	7XD/2520-99-863-6065	DISK, CLUTCH	
1217	FTC2310	7XD/2530-99-356-7564	DEFLECTOR, DIRT AND LIQUID	
1218	FTC2383	7XD/5330-99-709-4820	SEAL, PLAIN	
1219	FTC248	7RU/3110-99-348-9319	BEARING, TAPERED, ROLLER	
1220	FTC2805	7XD/2530-99-203-7794	ROTOR, DISC BRAKE	

ITEM NO	Mfr Part Number	Catalogue Number	Item Name	Remarks
1221	FTC2827	7RU/2520-99-126-0747	SHIFTER FORK	
1222	FTC2882	7RU/2530-99-905-9545	SWIVEL PIN	
1223	FTC2957	7RU/2520-99-363-2256	LEVER, REMOTE CONTROL	
1224	FTC3145	7RU/5330-99-524-0252	SEAL, PLAIN	
1225	FTC3148	7RU/2520-99-450-4322	DRIVE SHAFT ASSEMBLY, CONSTANT VELOCITY, VEHICULAR	
1226	FTC3149	7RU/2520-99-932-6860	DRIVE SHAFT ASSEMBLY, CONSTANT VELOCITY, VEHICULAR	
1227	FTC3154	7RU/3040-99-513-8760	AXLE, SHOULDERED	
1228	FTC317	6MT7/3110-99-951-5843	BEARING, TAPERED, ROLLER	
1229	FTC3179	7RU/5310-99-300-8710	WASHER, FLAT	
1230	FTC3267	7RU/3020-99-422-8665	GEAR, BEVEL	
1231	FTC3268	7RU/3020-99-864-6669	GEAR, BEVEL	
1232	FTC3269	7RU/2520-99-595-4483	HOUSING, MECHANICAL DRIVE	
1233	FTC3270	7RU/2520-99-464-6929	SHAFT, AXLE, AUTOMOTIVE	
1234	FTC3271	7RU/2520-99-851-8227	SHAFT, AXLE, AUTOMOTIVE	
1235	FTC3272	7RU/2520-99-517-1867	DIFFERENTIAL, DRIVING AXLE	
1236	FTC3276	7XD/5330-99-517-2891	SEAL, PLAIN ENCASED	
1237	FTC3278	7RU/2530-99-765-4748	DEFLECTOR, DIRT AND LIQUID	
1238	FTC3279	7RU/2530-99-386-7223	DEFLECTOR, DIRT AND LIQUID	
1239	FTC3299	7RU/5340-99-420-4946	BRACKET, MOUNTING	
1240	FTC3320	7RU/2530-99-383-4204	DEFLECTOR, DIRT AND LIQUID	
1241	FTC3321	7RU/2530-99-457-3085	DEFLECTOR, DIRT AND LIQUID	
1242	FTC3375	7RU/5306-99-567-0676	BOLT, MACHINE	
1243	FTC3382	7XD/5360-99-503-3219	SPRING, HELICAL, COMPRESSION	
1244	FTC3401	6MT1/5330-99-797-7028	SEAL, PLAIN	
1245	FTC3454	7XD/5306-99-902-3204	BOLT, SHOULDER	
1246	FTC3456	7RU/5306-99-950-2916	BOLT, MACHINE	
1247	FTC3620	7RU/3020-99-417-1070	GEAR SET, WORM AND WORM WHEEL, MATCHED	
1248	FTC3627	7RU/3040-99-617-3708	SHAFT, STRAIGHT	
1249	FTC3646	7XD/5330-99-203-7793	GASKET	
1250	FTC3647	7XD/5330-99-940-5914	GASKET	
1251	FTC3648	7XD/5330-99-301-6681	GASKET	
1252	FTC3650	7XD/5330-99-126-3016	GASKET	
1253	FTC3674	7XD/5340-99-005-0665	CLIP, SPRING TENSION	
1254	FTC3675	7RU/2520-99-792-5594	CONNECTING LINK, GEARCHANGE	

I T E M N O	Mfr Part Number	Catalogue Number	Item Name	Remarks
1255	FTC3698	7XD/2520-99-016-8707	LINK, CONNECTING	
1256	FTC3852	7XD/5355-99-016-8706	KNOB	
1257	FTC3904	7XD/2520-99-770-0155	BREATHER	
1258	FTC3921	7XD/2520-99-366-5311	HOUSING, FRICTION CLUTCH	
1259	FTC3975	7XD/5331-99-736-4041	O-RING	
1260	FTC4036	7RU/5330-99-125-9309	GASKET	
1261	FTC4037	7XD/5330-99-984-7545	GASKET	
1262	FTC4056	7XD/4730-99-745-2914	PLUG, PIPE	
1263	FTC4095	7RU/2520-99-500-8917	LEVER ASSEMBLY, DIFFERENTIAL LOCK	
1264	FTC4108	7XD/5365-99-872-8013	PLUG, MACHINE THREAD	
1265	FTC4112	7XD/5310-99-301-6658	WASHER, FLAT	
1266	FTC4198	7XD/2520-99-126-3435	PROPELLER SHAFT WITH UNIVERSAL JOINT	
1267	FTC4424	7XD/2520-99-030-1505	DEFLECTOR, DIRT AND LIQUID	
1268	FTC4425	7XD/2520-99-399-8075	DEFLECTOR, DIRT AND LIQUID	
1269	FTC4443	7XD/2520-99-846-2145	PROPELLER SHAFT WITH UNIVERSAL JOINT	
1270	FTC4465	7XD/5340-99-215-6483	BRACKET, VEHICULAR COMPONENTS	
1271	FTC4483	7XD/5360-99-548-4010	SPRING, TORSION/COMPRESSION	
1272	FTC4510	7XD/5330-99-920-9281	GASKET	
1273	FTC4536	7RU/5305-99-873-4604	SETSCREW	
1274	FTC4588	7RU/3040-99-052-0490	SHAFT, STRAIGHT	
1275	FTC4596	7RU/3110-99-316-3788	BALL, BEARING	
1276	FTC4655	7XD/2530-99-608-3371	AXLE ASSEMBLY, AUTOMOTIVE, DRIVING	
1277	FTC4656	7XD/2530-99-149-8459	AXLE ASSEMBLY, AUTOMOTIVE, DRIVING	
1278	FTC4657	7XD/2530-99-051-9908	AXLE ASSEMBLY, AUTOMOTIVE, DRIVING	
1279	FTC4785	7XD/5330-99-522-0987	SEAL, PLAIN ENCASED	
1280	FTC4838	7XD/2540-99-771-4515	GUARD, SPLASH, VEHICULAR	
1281	FTC4839	7XD/2540-99-957-4781	GUARD, SPLASH, VEHICULAR	
1282	FTC4851	7XD/5330-99-968-1877	SEAL, PLAIN	
1283	FTC4889	7XD/2590-99-702-1835	BRACKET, VEHICULAR COMPONENTS	
1284	FTC4939	7XD/5330-99-096-4312	SEAL, PLAIN ENCASED	
1285	FTC4940	7XD/2520-99-663-3140	DEFLECTOR, DIRT AND LIQUID	
1286	FTC4941	7XD/2520-99-225-6102	DEFLECTOR, DIRT AND LIQUID	
1287	FTC4942	7XD/2520-99-517-3132	FLANGE, COMPANION, UNIVERSAL JOINT	
1288	FTC4992	7RU/3020-99-563-6111	SPRING, SYNCROMESH	

I T E M N O	Mfr Part Number	Catalogue Number	Item Name	Remarks
1289	FTC4996	7XD/2520-99-453-6658	SHAFT, AXLE,	
1290	FTC4997	7XD/2520-99-896-0090	AUTOMOTIVE SHAFT, AXLE,	
1291	FTC4998	7XD/3040-99-301-7344	AUTOMOTIVE AXLE, SHOULDERED	
1292	FTC5199	7XD/2520-99-832-3404	PUSH ROD, CLUTCH	
1293	FTC5200	7XD/3110-99-313-8019	BEARING, BALL, ANNULAR	
1294	FTC5202	7XD/2520-99-463-6161	SLAVE CYLINDER, CLUTCH	
1295	FTC5208	7XD/5365-99-821-4013	PLUG, MACHINE THREAD, MAGNETIC	
1296	FTC5218	7XD/2520-99-807-4047	CARRIER, CLUTCH RELEASE BEARING	
1297	FTC5241	7XD/5310-99-836-3546	WASHER, KEY	
1298	FTC5258	7XD/5330-99-663-6053	SEAL, PLAIN	
1299	FTC5268	7XD/5330-99-732-0468	SEAL, PLAIN	
1300	FTC5272	7XD/2520-15-147-1035	PLATE, PRESSURE, FRICTION	
1301	FTC5296	7XD/2520-99-573-7685	HOUSING, SWIVEL PIN	
1302	FTC5297	7XD/2520-99-573-7684	HOUSING, SWIVEL PIN	
1303	FTC5298	7XD/2520-99-573-7683	HOUSING, SWIVEL PIN	
1304	FTC5299	7XD/2520-99-573-7682	HOUSING, SWIVEL PIN	
1305	FTC5303	7XD/5330-99-745-6172	SEAL, PLAIN	
1306	FTC5306	7XD/2530-99-957-4399	AXLE ASSEMBLY, AUTOMOTIVE, DRIVING	
1307	FTC5317	7XD/2520-99-361-7618	DEFLECTOR, DIRT AND LIQUID	
1308	FTC5366	7XD/3130-99-729-4157	HOUSING, BEARING UNIT	
1309	FTC5394	7XD/4720-99-549-1978	TUBING ASSEMBLY, NONMETALLIC	
1310	FTC5395	7XD/4720-99-301-8365	TUBING ASSEMBLY, NONMETALLIC	
1311	FTC5396	7XD/4720-99-917-1381	TUBING ASSEMBLY, NONMETALLIC	
1312	FTC5413	7XD/5310-99-551-2985	WASHER	
1313	FTC5414	7XD/2530-99-659-4693	CAP, GREASE	
1314	FTC5436	7XD/2520-99-350-8858	TRANSFER TRANSMISSION ASSEMBLY	
1315	FTC56	7XD/3120-99-001-6889	BEARING, WASHER, THRUST	
1316	FTC728	7RU/5365-99-075-1807	SPACER, RING	
1317	FTC732	7RU/5365-99-587-9040	SPACER, RING	
1318	FTC748	7RU/5365-99-792-5588	SPACER, RING	
1319	FTC752	7RU/5365-99-152-4200	SPACER, RING	
1320	FTC756	7RU/5365-99-463-5294	SPACER, RING	
1321	FTC764	7RU/5365-99-792-0887	SPACER, RING	
1322	FTC772	7RU/5365-99-920-1017	SPACER, RING	
1323	FTC776	7RU/5365-99-702-2787	SPACER, RING	

I T E M N O	Mfr Part Number	Catalogue Number	Item Name	Remarks
1324	FTC859	7RU/2530-99-314-5832	MEMBER, DRIVING HUB ASSEMBLY	
1325	FTC861	7XD/3110-12-326-1173	BEARING, ROLLER, NEEDLE	
1326	FTC890	7XD/5307-99-768-6962	STUD, PLAIN	
1327	FTC902	7XD/2530-99-702-1382	ROTOR, DISC BRAKE	
1328	FTC942	7RU/2530-99-320-0945	HUB, WHEEL, VEHICULAR	
1329	FTC943	7RU/2530-99-300-8711	CAP, GREASE	
1330	FTP8030S	7XD/2940-99-932-7168	INTERCOOLER	
1331	FX106047L	7XDW/5310-99-852-9640	NUT, SELF-LOCKING, EXTENDED WASHER, HEXAGON	
1332	FX108041L	7FW/5310-99-244-6989	NUT	
1333	FX108047L	7XD/5310-99-940-6401	NUT, SELF-LOCKING, EXTENDED WASHER, HEXAGON	
1334	FX110041	7FW/5310-99-464-6842	NUT, SELF-LOCKING, EXTENDED WASHER, HEXAGON	
1335	FX110041L	7FW/5310-99-464-6842	NUT, SELF-LOCKING, EXTENDED WASHER, HEXAGON	
1336	FX110047L	7XDW/5310-99-125-4621	NUT, SELF-LOCKING, EXTENDED WASHER, HEXAGON	
1337	FX112041L	7FW/5310-99-125-9042	NUT, SELF-LOCKING, EXTENDED WASHER, HEXAGON	
1338	GG106251L	7RU/5305-99-771-8383	SCREW, PAINT CLEARING	
1339	GG108251L	7XD/5305-99-741-7926	SCREW, PAINT CLEARING	
1340	GS110501	7RU/5305-99-789-8136	SCREW, GRUB	
1341	HAD132720RPI	7XDW/2540-99-573-6302	SEAT, VEHICULAR	
1342	HAD132730RPI	7XDW/2540-99-573-6303	SEAT, VEHICULAR	
1343	HAD132740RPI	7XD/2540-99-337-0633	SEAT, VEHICULAR	
1344	HAD132750RPI	7XD/2540-99-830-6037	SEAT, VEHICULAR	
1345	HAG101030RPI	7XDW/2540-99-573-6304	CUSHION, SEAT, VEHICULAR	
1346	HAJ101420RPI	7XDW/2540-99-573-6305	CUSHION, SEAT BACK, VEHICULAR	
1347	HAJ101430RPI	7XDW/2540-99-573-6306	CUSHION, SEAT BACK, VEHICULAR	
1348	HAM4301L	7XD/5920-99-227-8661	FUSEHOLDER	
1349	HBA106790	7XDW/2540-99-937-6287	COVER, SEAT, VEHICULAR	
1350	HCA106410	7XDW/2540-99-572-5723	COVER, SEAT, VEHICULAR	
1351	HLD103500LOY	7XDW/2540-99-573-6307	SEAT, VEHICULAR	
1352	HLD103510LOY	7XDW/2540-99-573-6308	SEAT, VEHICULAR	
1353	HLF105450LOY	7XDW/2540-99-876-1474	CUSHION, SEAT, VEHICULAR	
1354	HLW100000LOY	7XDW/2540-99-573-6310	CUSHION, SEAT BACK, VEHICULAR	
1355	HVA101600	7XDW/2540-99-573-6311	COVER, SEAT, VEHICULAR	

ITEM NO	Mfr Part Number	Catalogue Number	Item Name	Remarks
1356	HVB100810	7XDW/2540-99-573-6312	COVER, SEAT, VEHICULAR	
1357	HWU100060	7XD/5340-99-955-8597	BRACKET, ANGLE	
1358	IAB100080	7XD/2520-99-987-5445	TRANSFER TRANSMISSION ASSEMBLY	
1359	IAB100100	7XDW/2520-99-127-4809	TRANSFER TRANSMISSION ASSEMBLY	
1360	ICN100000	7XD/2520-99-179-4856	DEFLECTOR, DIRT AND LIQUID	
1361	ICV1000000	7XD/5330-99-687-1620	SEAL, PLAIN ENCASED	
1362	IEC100020	7XD/2520-99-146-2845	FLANGE, COMPANION, UNIVERSAL JOINT	
1363	IGM100020	7XDW/5930-99-573-6313	SWITCH, PUSH	
1364	IPC100000	7XDW/5930-99-573-6314	SWITCH BOX	
1365	IPC100010	7XD/5950-99-897-4610	TRANSFORMER, POWER	
1366	IPC100020	7XDW/5930-99-573-6315	SWITCH BOX	
1367	IPC100030	7XDW/6110-99-471-1435	DISTRIBUTION BOX	
1368	IPD100000	7XDW/5330-99-547-5184	SEAL	
1369	IPF100000	7XD/5340-99-974-8611	BUMPER, NONMETALLIC	
1370	IPF100010	7XD/5340-99-428-8071	BUMPER, NONMETALLIC	
1371	IPF100030	7XD/2540-99-214-8364	BACKREST	
1372	IPG100000	7XDW/2590-99-573-6316	TABLE ASSEMBLY, RADIO	
1373	IPH100000	7XD/5340-99-800-2271	PLATE, CLAMPING	
1374	IPH100010	7XD/5340-99-170-5055	PLATE, MOUNTING	
1375	IPK100020	7XDW/5340-99-573-6317	COVER, ACCESS	
1376	IPK100030	7XDW/2510-99-573-6318	DOOR, HATCH, VEHICLE	
1377	IPK100040	7XDW/2540-99-573-6319	BLIND, WINDOW, VEHICULAR	
1378	IPK100050	7XDW/2540-99-573-6320	BLIND, GRILLE, RADIATOR	
1379	IPK100060	7XDW/2540-99-573-6321	BLIND, WINDSCREEN, VEHICULAR	
1380	IPK100070	7XDW/2540-99-573-6322	BLIND, WINDOW, VEHICULAR	
1381	IPK100090	7XDW/2530-99-573-6323	BOOT, DUST AND MOISTURE SEAL	
1382	IPK100100	7XDW/2540-99-573-6324	INSULATION, THERMAL, VEHICULAR	
1383	IPK100110	7XDW/2540-99-573-6325	INSULATION, THERMAL, VEHICULAR	
1384	IPK100120	7XDW/2520-99-573-6326	BOOT, DUST AND MOISTURE SEAL	
1385	IPK100130	7XDW/5340-99-573-6327	CAP, PROTECTIVE, DUST AND MOISTURE SEAL	
1386	IPK100140	7XDW/5340-99-573-6328	CAP, PROTECTIVE, DUST AND MOISTURE SEAL	
1387	IPK100170	7XDW/5340-99-573-6329	COVER, ACCESS	
1388	IPL100000	7XD/2540-99-464-7121	STRUT ASSEMBLY	
1389	IPM100000	7XD/5315-99-875-7179	PIN, LOCK	
1390	IPM100010	7XD/5340-99-809-4594	STRAP, WEBBING	

I T E M N O	Mfr Part Number	Catalogue Number	Item Name	Remarks
1391	IPM100020	7XD/5340-99-212-1592	STRAP, WEBBING	
1392	IPM100040	7XD/5340-99-138-3174	STRAP, WEBBING	
1393	IPM100070	7XDW/5340-99-148-1284	STRAP WEBBING	
1394	IPM100080	7XDW/5340-99-928-8246	STRAP, ELASTIC	
1395	IPN100000	7XD/5325-99-991-2445	RECEPTACLE, POSITIVE LOCK	
1396	IPN100020	7XDW/5340-99-573-6330	CLIP, RETAINING	
1397	IPN100040	7XDW/5325-99-554-6848	RECEPTACLE, TURNLOCK FASTENER	
1398	IPP100010	7XD/7690-99-976-0253	LABEL	
1399	IPP100030	7XD/9905-99-936-7631	PLATE, INSTRUCTION	
1400	IPP100100	7XD/9905-99-448-8127	PLATE, INSTRUCTION	
1401	IPP100110	7XD/9390-99-819-0095	DISC, LUMINOUS	
1402	IPP100120	7XDW/9905-99-961-2058	PLATE, INSTRUCTION	
1403	IPQ100000	7XDW/6150-99-573-6331	LEAD ASSEMBLY, ELECTRICAL	
1404	IPR100000	7XDW/2540-99-573-6332	BOX, ACCESSORIES STOWAGE	
1405	IPR100010	7XDW/4720-99-891-6157	TUBING, NONMETALLIC	
1406	IPS100000	7XDW/5365-99-573-6333	PLUG, MACHINE THREAD	
1407	IPS100010	7XDW/5325-99-573-6334	GROMMET BLANK, NONMETALLIC	
1408	IPS100030	7XDW/5935-99-499-7534	DUMMY CONNECTOR, PLUG	
1409	IPS100040	7XDW/5365-99-655-4665	PLUG, MACHINE THREAD	
1410	IPT100010	7XDW/2540-99-573-6335	BAG, STOWAGE, WATERPROOF	
1411	IPT100050	7XDW/2540-99-573-6336	BAG, STOWAGE, WATERPROOF	
1412	IPT100070	7XDW/2540-99-573-6338	BAG, STOWAGE, WATERPROOF	
1413	IPT100080	H4/8105-99-135-6190	BAG, PLASTICS	
1414	IPU100030	7XDW/5340-99-573-6339	BRACKET, MOUNTING	
1415	IPU100080	7XDW/5340-99-573-6340	BRACKET, MOUNTING	
1416	IPU100120	7XDW/5340-99-573-6341	BRACKET, MOUNTING	
1417	IPU100130	7XDW/5340-99-573-6342	BRACKET, MOUNTING	
1418	IPU100140	7XDW/5340-99-573-6343	BRACKET, MOUNTING	
1419	IPU100150	7XDW/5340-99-573-6344	BRACKET, MOUNTING	
1420	IPU100160	7XDW/5340-99-418-0916	BRACKET, ANGLE	
1421	IPV100000	7XDW/2540-99-573-6345	WATERPROOFING KIT, VEHICLE	
1422	IPV100010	7XDW/2540-99-573-6346	WATERPROOFING KIT, VEHICLE	
1423	IPV100020	7XDW/2540-99-573-6347	KIT, SNOW COVERS	
1424	IPV100030	7XDW/2540-99-573-6348	KIT, SNOW COVERS	
1425	IPX100000	7XDW/6150-99-573-6349	LEAD, ELECTRICAL	
1426	IPX100010	7XDW/6150-99-573-6350	LEAD, ELECTRICAL	
1427	IPX100020	7XDW/6150-99-573-6351	LEAD, ELECTRICAL	
1428	IQB100000	7XD/5340-99-215-8630	BRACKET, MOUNTING	
1429	IQC100000	7XD/5340-99-301-9654	BRACKET, MOUNTING	

ITEM NO	Mfr Part Number	Catalogue Number	Item Name	Remarks
1430	IQD100010	7XD/5340-99-318-2000	STOP, STRETCHER	
1431	IQE100000	7XD/2540-99-234-4711	LINK	
1432	IQE100010	7XDW/6150-99-573-6352	LEAD, ELECTRICAL	
1433	IQF100010	7XDW/6220-99-573-6353	LIGHT, UTILITY, VEHICULAR	
1434	IQG100010	7XDW/5995-99-573-6354	CABLE ASSEMBLY, RADIO FREQUENCY	
1435	IQG100020	7XDW/5995-99-573-6355	CABLE ASSEMBLY, RADIO FREQUENCY	
1436	IQG100030	7XDW/6150-99-573-6356	LEAD, ELECTRICAL	
1437	IQG100040	7XDW/6150-99-573-6357	LEAD, ELECTRICAL	
1438	IQG100050	7XDW/6150-99-573-6358	LEAD, ELECTRICAL	
1439	IQG100060	7XDW/6150-99-573-6359	LEAD, ELECTRICAL	
1440	IQG100070	7XDW/6150-99-839-4224	LEAD, ELECTRICAL	
1441	IQG100080	7XDW/6150-99-333-0008	LEAD, ELECTRICAL	
1442	IQG100090	7XDW/6150-99-705-6003	LEAD ASSEMBLY, ELECTRICAL	
1443	IQI100010	7XDW/4730-99-591-1499	CAP END	
1444	IQJ100030	7XDW/5340-99-573-6360	COVER, ACCESS	
1445	IQL100000	7XDW/5330-99-573-6361	GASKET	
1446	IQL100010	7XDW/5330-99-573-6362	GASKET	
1447	IQM100000	7XDW/5975-99-573-6364	STUFFING TUBE	
1448	IQN100000	7XD/2540-99-976-0332	COVER, VENT	
1449	IQN100010	7XD/2540-99-239-2036	VENTILATOR, AIR CIRCULATING	
1450	IQN100020	7XD/2540-99-196-4146	VENTILATOR, AIR CIRCULATING	
1451	IQO100000	7XD/2540-99-517-5220	VENTILATOR, AIR CIRCULATING	
1452	IQP100020	7XD/2540-99-471-1436	STRIP, WEAR	
1453	IQS100000	7XD/3120-99-799-0067	BEARING, SLEEVE	
1454	IQT100000	7XD/2540-99-292-8333	HOUSING, SPRING	
1455	IQU100000	7XD/5340-99-641-7793	PACKER	
1456	IQV100000	7XD/5360-99-838-6316	SPRING, HELICAL, COMPRESSION	
1457	IQV100010	7XD/5360-99-260-8214	SPRING, HELICAL, COMPRESSION	
1458	IQZ100000	7XD/5340-99-346-4090	INSERT	
1459	IRB100010	7XDW/2990-99-573-6365	HEATER, COOLANT, ENGINE	
1460	IRC100030	7XDW/2540-99-573-6366	RADIATOR, VEHICULAR COMPARTMENT HEATER	
1461	IRE100000	H10/7930-99-244-6936	SPRAYER, HAND	
1462	IRF100000	7XDW/6150-99-573-6367	WIRING HARNESS	
1463	IRG100050	7XDW/2990-99-573-6368	PIPE, EXHAUST	
1464	IRG100070	7XDW/2990-99-573-6369	PIPE, INTAKE	
1465	IRG100090	7XDW/4720-99-261-5174	HOSE, PREFORMED	
1466	IRG100100	7XDW/4730-99-573-6370	PIPE STUB	
1467	IRH100000	7XDW/4720-99-573-6371	HOSE, PREFORMED	
1468	IRH100010	7XDW/4720-99-573-6372	HOSE, PREFORMED	

I T E M N O	Mfr Part Number	Catalogue Number	Item Name	Remarks
1469	IRH100040	7XDW/4720-99-483-1909	HOSE, PREFORMED	
1470	IRK100000	7XDW/2540-99-573-6373	CONTROL BOX, ELECTRICAL, VEHICULAR HEATER	
1471	██████████	7XDW/5915-99-573-6374	FILTER, RADIO FREQUENCY INTERFERENCE	
1472	IRM100000	7XDW/2540-99-573-6375	COVER, FITTED, VEHICULAR BODY	
1473	IRM100020	7XDW/2540-99-573-6376	COVER, FITTED, VEHICULAR BODY	
1474	IRM100030	7XDW/2540-99-573-6377	COVER, FITTED, VEHICULAR BODY	
1475	IRN100000	7XDW/4720-99-573-6378	HOSE, PREFORMED	
1476	IRN100030	7XD/4720-99-151-0229	HOSE, PREFORMED	
1477	IRO100000	7XDW/5935-99-196-8146	GUARD, ELECTRICAL CONNECTOR	
1478	IRP100000	7XDW/4730-99-573-6379	UNION, PIPE	
1479	IRP100010	7XDW/4730-99-573-6380	UNION, PIPE	
1480	IRQ100000	7XDW/2990-99-573-6381	SLEEVE	
1481	IRU100000	7XDW/5120-99-870-0208	REMOVAL TOOL	
1482	IRX100000	F1/8020-99-943-0417	BRUSH, ARTISTS	
1483	IRX100010	F1/8020-99-125-5009	BRUSH, VARNISH	
1484	IRY100000	H21/4020-99-942-5038	ROPE, FIBROUS	
1485	IRZ100000	7XDW/3040-99-901-4982	LEVER, REMOTE CONTROL	
1486	IYA100000	7XDW/5325-99-573-6382	GROMMET, NONMETALLIC	
1487	IYA100010	7XDW/5325-99-573-6383	GROMMET, NONMETALLIC	
1488	IYB100000	7XDW/5325-99-204-0580	GROMMET BLANK, NONMETALLIC	
1489	IYC100000	7XDW/5340-99-573-6384	CLAMP, LOOP	
1490	IYC100020	7XDW/4730-99-573-6385	CLAMP, HOSE	
1491	IYC100030	7XDW/5340-99-573-6386	CLAMP, LOOP	
1492	IYC100070	7XDW/5340-99-573-6387	CLAMP, LOOP	
1493	IYC100080	7XDW/5340-99-573-6388	CLAMP, LOOP	
1494	IYC100090	7XDW/5340-99-623-6955	CLAMP, LOOP	
1495	IYF100000	7XD/5365-99-375-3567	SPACER, SLEEVE	
1496	IYF100010	7XD/5330-99-126-5074	GASKET	
1497	IYF100040	7XDW/5365-99-573-6389	SPACER	
1498	IYG100000	7XD/5306-99-877-0974	BOLT, PIVOT	
1499	IYH100020	7XD/5340-99-705-6005	PLATE, MOUNTING	
1500	IYH100030	7XDW/5310-99-573-6390	NUT, PLAIN, HEXAGON	
1501	IYN100000	6WPG/5970-99-664-8764	INSULATION TAPE, ELECTRICAL	
1502	IYP100000	7XD/5305-99-248-3813	SCREW	
1503	IYP100010	7XD/5935-99-605-6444	COVER, ELECTRICAL CONNECTOR	
1504	IYP100030	7XDW/5305-99-892-9844	SCREW, MACHINE	
1505	IYQ100000	7XD/5320-99-375-3598	RIVET, BLIND	
1506	IYR100000	7XD/5307-99-315-0047	STUD, PLAIN	

I T E M N O	Mfr Part Number	Catalogue Number	Item Name	Remarks
1507	IYS100000	7XD/5365-99-227-3138	SPACER, PLATE	
1508	IYS100010	7XD/5365-99-215-8631	SPACER, PLATE	
1509	IYS100020	7XD/5365-99-702-4087	SPACER, PLATE	
1510	IYX100010	7XDW/5331-99-000-0126	O-RING	
1511	IYX100020	7XDW/5331-99-494-1597	O-RING	
1512	IZB100000	7XDW/5330-99-262-7090	GASKET	
1513	IZM100000	7XDW/8315-99-815-4006	FASTENER TAPE, HOOK AND PILE	
1514	IZN100000	7XD/5310-99-839-8071	NUT, PLAIN, BLIND RIVET	
1515	IZS100000	7XDW/4730-99-573-6553	TEE, HOSE	
1516	IZS100010	7XDW/4720-99-573-6556	ADAPTOR	
1517	IZS100020	7XDW/4730-99-573-6555	TEE, HOSE	
1518	IZS100030	7XDW/4730-99-346-8755	CONNECTOR HOSE	
1519	JAE100130	7XDW/2940-99-573-6391	PARTS KIT, AIR FILTER	
1520	JEC102960	7XDW/2540-99-573-6392	HEATER, VEHICULAR, COMPARTMENT	
1521	JFC102290	7XDW/2540-99-573-6393	CONTROL ASSEMBLY	
1522	JGC100420	7XDW/2540-99-873-7009	MOTOR AND FAN ASSEMBLY	
1523	JHB100780	7XDW/4720-99-573-6394	HOSE, PREFORMED	
1524	JHB100800	7XDW/4720-99-573-6395	HOSE, PREFORMED	
1525	JJC100620	7XDW/2540-99-573-6396	VALVE, HEATER CONTROL, VEHICULAR	
1526	JJH100030	7XDW/4720-99-573-6397	HOSE, PREFORMED	
1527	JJH100040	7XDW/4720-99-573-6398	HOSE, PREFORMED	
1528	JJH100050	7XDW/4720-99-573-6399	HOSE, PREFORMED	
1529	JJH100060	7XDW/4720-99-573-6400	HOSE, PREFORMED	
1530	JJH100070	7XDW/4720-99-573-6401	HOSE, PREFORMED	
1531	JKB100440	7XD/2540-99-172-9044	DIFFUSER, AIR, VEHICULAR HEATING AND VENTILATING	
1532	JKB100450	7XD/2540-99-825-4081	DIFFUSER, AIR, VEHICULAR HEATING AND VENTILATING	
1533	JQL100100	7XD/5930-99-690-6669	SWITCH, THERMOSTATIC	
1534	JQL100110	7XD/5355-99-602-0880	KNOB	
1535	JTB100350	7XD/5930-99-454-8026	SWITCH, PRESSURE	
1536	JUE110220	7XD/4720-99-830-1624	HOSE ASSEMBLY, NONMETALLIC	
1537	JUF102780	7XD/4720-99-825-1861	HOSE ASSEMBLY, METALLIC	
1538	JUF102790	7XD/4720-99-318-7086	HOSE ASSEMBLY, METALLIC	
1539	JUF102800	7XD/4720-99-690-6668	HOSE ASSEMBLY, METALLIC	
1540	JUF102810	7XD/4720-99-590-1412	HOSE ASSEMBLY, METALLIC	
1541	JUF102820	7XD/4720-99-264-0076	HOSE ASSEMBLY, METALLIC	

I T E M N O	Mfr Part Number	Catalogue Number	Item Name	Remarks
1542	JUF102830	7XD/4720-99-396-8935	HOSE ASSEMBLY, METALLIC	
1543	JUF102840	7XD/4720-99-891-0091	HOSE ASSEMBLY, METALLIC	
1544	JUF102850	7XD/4720-99-260-8215	HOSE ASSEMBLY, METALLIC	
1545	JUF102860	7XD/4720-99-641-7827	HOSE ASSEMBLY, METALLIC	
1546	JUF102870	7XD/4720-99-800-2352	HOSE ASSEMBLY, METALLIC	
1547	JUF102880	7XD/4720-99-864-6278	HOSE ASSEMBLY, METALLIC	
1548	JUF102890	7XD/4720-99-235-4029	HOSE ASSEMBLY, METALLIC	
1549	JUU100670	7XD/5331-99-728-4188	O-RING	
1550	KHW100010	7XD/5340-99-264-0075	BUMPER, NONMETALLIC	
1551	KVD100070	7XD/2510-99-623-6961	FRAME, STRUCTURAL, VEHICULAR	
1552	KVD100150	7RU/2510-99-702-6595	FRAME, STRUCTURAL, VEHICULAR	
1553	KVD100240	7XD/2510-99-705-6004	FRAME, STRUCTURAL, VEHICULAR	
1554	K315091	7XD/7690-99-413-8188	LABEL	
1555	LBB109560	7XD/2815-99-832-3714	ENGINE, DIESEL	
1556	LBB111620	7XDW/2815-99-331-1649	ENGINE, DIESEL	
1557	LGJ100880	7XD/2815-99-841-8677	GUIDE, VALVE STEM	
1558	LHH100660	7XD/3020-99-573-7710	PULLEY, TIMING BELT	
1559	LHP100680	7XD/3950-99-573-7713	TENSIONER PULLEY ASSEMBLY	
1560	LHV100150	7XD/3020-99-573-7711	PULLEY, FLAT	
1561	LJC100270	7XD/2815-99-994-5799	CAP, VALVE STEM	
1562	LKC102590	7XDW/2590-99-304-5048	EXHAUST MANIFOLD AND TURBOCHARGER ASSEMBLY	
1563	LLO100000	7XD/5331-99-795-4001	O-RING	
1564	LSB102610	7XD/2815-99-573-7707	OIL PAN	
1565	LSF100040L	7XD/5365-99-573-7712	PLUG, PIPE	
1566	LUF100430	7XD/5330-99-765-5332	SEAL ASSEMBLY	
1567	LYH100500	7XD/5310-99-242-8652	NUT, SELF-LOCKING, EXTENDED WASHER, HEXAGON	
1568	MJQ100100	7XDW/2910-99-573-6403	PUMP, FUEL, METERING AND DISTRIBUTION	
1569	MLH100410	7XD/4720-99-772-3690	HOSE, NONMETALLIC	
1570	ML106015	7XDW/5325-99-143-8966	INSERT, SCREW THREAD	
1571	MRC1813	7RU/5340-99-737-5060	STRAP, LEATHER	
1572	MRC1979	7RU/5340-99-138-0387	ROLLED, WASHER	
1573	MRC1980	7RU/2510-99-829-7487	WASHER, NYLON	
1574	MRC4037	7XD/2510-99-796-6134	SHIM	
1575	MRC4473	7RU/5305-99-796-6140	SCREW, MACHINE	

ITEM NO	Mfr Part Number	Catalogue Number	Item Name	Remarks
1576	MRC4522	7XD/2540-99-835-9260	BOX, ACCESSORIES STOWAGE	
1577	MRC4619	7RU/2510-99-796-6141	BUFFER ASSEMBLY	
1578	MRC5153	7RU/2510-99-788-8106	STAY	
1579	MRC5525	7RU/5310-99-754-3600	PLAIN WASHER	
1580	MRC5527	7RU/5310-99-977-1694	WASHER, FLAT	
1581	MRC5528	7RU/5310-99-788-8108	WASHER, FLAT	
1582	MRC5757	7XD/2540-99-722-6778	NUT PLATE ASSEMBLY	
1583	MRC5854	7XD/5820-99-949-0398	DESK, RADIO EQUIPMENT	
1584	MRC6027	7XD/2590-99-375-3535	BRACKET, VEHICULAR COMPONENTS	
1585	MRC6028	7RU/2590-99-168-8311	BRACKET, VEHICULAR COMPONENTS	
1586	MRC6051	7XD/2510-99-788-8113	TIE PLATE ASSEMBLY	
1587	MRC6052	7XD/2510-99-788-8114	TIE PLATE ASSEMBLY	
1588	MRC6270	7XD/2510-99-796-6152	BUMPER, RUBBER	
1589	MRC7253	7XD/9905-99-641-7792	PLATE, INSTRUCTION	
1590	MRC7281	7RU/5325-99-721-4422	GROMMET, RUBBER	
1591	MRC7283	7XD/2540-99-788-8119	TRAY, PARCEL	
1592	MRC8225	7RU/5340-99-788-8122	PLUG, PROTECTIVE, DUST AND MOISTURE SEAL	
1593	MRC8377	7RU/2540-99-721-4419	HOSE, AIR DUCT	
1594	MRC8378	7RU/2540-99-721-4413	SEAL, AIR DUCT	
1595	MRC8388	6MT13/5340-99-721-4458	CATCH, CLAMPING	
1596	MRC8420	7RU/2510-99-797-6084	FENDER, VEHICULAR	
1597	MRC8491	7RU/2590-99-850-1370	COLUMN ASSEMBLYXSUPPORT AERIAL	
1598	MRC8499	7RU/2590-99-737-3400	LEAD, ELECTRICAL	
1599	MRC8524	7XD/5340-99-301-7190	BRACKET, ANGLE	
1600	MRC8584	7RU/2540-99-788-8125	PANEL ASSEMBLY	
1601	MRC8585	7XD/2540-99-788-8126	PANEL ASSEMBLY	
1602	MRC8626	7RU/9330-99-721-4452	PLASTICS STRIP, PRESSURE SENSITIVE ADHESIVE COATED	
1603	MRC8642	7RU/2540-99-721-4412	PIPE, AIR CONDITIONING- HEATING	
1604	MRC8717	7RU/4710-99-721-4420	PIPING, PLASTICS, RIGID	
1605	MRC9043	7RU/5340-99-301-5892	CLIP, SPRING TENSION	
1606	MRC9244	7RU/2510-99-796-6161	HINGE, MALE, BONNET	
1607	MRC9377	7RU/2510-99-457-3351	PANEL, BODY, VEHICULAR	
1608	MRC9378	7RU/2510-99-721-4393	MUDGUARD, VEHICULAR	
1609	MRC9417	7RU/2540-99-778-0181	RETAINER, NUT ASSEMBLY	
1610	MRC9420	G1/5306-99-788-8131	BOLT, MACHINE	
1611	MRC9423	7RU/5310-99-030-1371	NUT STRIP	
1612	MRC9431	7RU/2540-99-797-4647	PLATE, RETAINING NUT	
1613	MRC9438	7XD/5340-99-788-8132	BRACKET, ANGLE	

I T E M N O	Mfr Part Number	Catalogue Number	Item Name	Remarks
1614	MRC9570	7RU/2530-99-720-8147	BOOT, DUST AND MOISTURE SEAL	
1615	MRC9571	7RU/2530-99-771-6975	BOOT, DUST AND MOISTURE SEAL	
1616	MRC9734	7RU/2510-99-788-8136	STAY, WING TOP TO WHEELARCH	
1617	MRC9735	7RU/2510-99-788-8137	STAY, WING TOP TO WHEELARCH	
1618	MRC9833	7RU/5307-99-300-8826	STUD ASSEMBLY, MOUNTING	
1619	MRC9922	7RU/5365-99-721-4408	SPACER, SLEEVE	
1620	MRC9998	7RU/5330-99-721-4414	GASKET	
1621	MSO100020	7XDW/2910-99-573-6404	CONNECTOR	
1622	MSP100980	7XD/4720-99-980-8563	PIPE ASSEMBLY	
1623	MTC1042	7RU/2510-99-776-9691	PLATE, CHANNEL EXTENSION	
1624	MTC1078	7RU/5340-99-721-3517	STRAP, RETAINING	
1625	MTC1382	7XD/2590-99-301-7341	BRACKET, VEHICULAR COMPONENTS	
1626	MTC1650	7RU/5340-99-774-6796	PLUG, BLANK	
1627	MTC2103	7RU/5340-99-739-8539	BRACKET, ANGLE	
1628	MTC2106	7XD/5340-99-788-8143	BRACKET, ANGLE	
1629	MTC2107	7XD/5340-99-788-8144	BRACKET, ANGLE	
1630	MTC2224	7XD/5340-99-788-8148	ANGLE ASSEMBLY, REINFORCING	
1631	MTC2225	7XD/5340-99-788-8149	ANGLE ASSEMBLY, REINFORCING	
1632	MTC2607	7RU/2540-99-721-4437	NUTPLATE	
1633	MTC2640	7RU/2590-99-788-8155	PANEL, INSTRUMENT MOUNTING, VEHICULAR	
1634	MTC2805	7RU/5355-99-721-4404	KNOB	
1635	MTC2808	7RU/2590-99-788-8158	COWL, INSTRUMENT PANEL	
1636	MTC2826	7RU/2540-99-788-8161	PADDED ASSEMBLY, HEATER DUCT	
1637	MTC2827	7RU/2540-99-788-8162	PADDED ASSEMBLY, HEATER DUCT	
1638	MTC2864	7RU/2510-99-839-5431	WINDSCREEN, VEHICULAR	
1639	MTC3000	7RU/2540-99-727-8166	BRACKET, MOUNTING	
1640	MTC3001	7RU/2540-99-701-6051	BRACKET, MOUNTING	
1641	MTC3032	7XD/2540-99-244-8283	TIE BAR	
1642	MTC3042	7XD/5340-99-864-6869	BRACKET, ANGLE	
1643	MTC3051	7XD/5340-99-709-0899	BRACKET, STIFFENER	
1644	MTC3052	7XD/5340-99-850-0409	BRACKET, STIFFENER	
1645	MTC3063	7RU/2590-99-147-2014	BRACKET, AERIAL SUPPORT COLUMN	
1646	MTC3203	7RU/5310-99-788-8167	NUT PLATE ASSEMBLY	
1647	MTC3499	7RU/2530-99-721-3513	SHROUD, STEERING COLUMN	

ITEM NO	Mfr Part Number	Catalogue Number	Item Name	Remarks
1648	MTC3523	7RU/2540-99-788-8169	COVER ASSEMBLY, PADDED, MOTOR	
1649	MTC3557	7XD/5306-99-021-8989	BOLT, TEE HEAD	
1650	MTC3611	7RU/2590-99-788-8171	COVER, HANDTHROTTLE	
1651	MTC3705LOY	7XD/2590-99-346-9949	COVER, WIPER CABLE DRIVE	
1652	MTC3801	7RU/2530-99-721-3514	SHROUD, STEERING COLUMN	
1653	MTC3874	7RU/2590-99-215-8580	BRACKET, VEHICULAR COMPONENTS	
1654	MTC4049	7RU/5310-99-551-2541	NUT STRIP	
1655	MTC4164	7RU/2510-99-757-5308	WEATHER STRIP	
1656	MTC4165	7RU/2510-99-757-5309	WEATHER STRIP	
1657	MTC4290	7RU/2510-99-850-1813	RETAINER, RUBBER SEAL, REAR OPENING	
1658	MTC4384	7XD/5340-99-108-5071	BRACKET, MOUNTING	
1659	MTC4385	7XD/5340-99-476-5189	BRACKET, MOUNTING	
1660	MTC4771	7XD/5340-99-301-7342	BRACKET, ANGLE	
1661	MTC5083	6MT3/2540-99-795-3170	ARM, REARVIEW MIRROR	
1662	MTC5212	7RU/2510-99-788-8230	MOULDING, TRIM	
1663	MTC5458	7RU/2540-99-788-8233	PANEL, INSTRUMENT MOUNTING, VEHICULAR	
1664	MTC5459	7RU/2540-99-788-8234	PANEL, INSTRUMENT MOUNTING, VEHICULAR	
1665	MTC5536	7RU/2540-99-721-4472	PLATE, SCREW RETAINER	
1666	MTC5608	7RU/2590-99-244-8609	BRACKET, VEHICULAR COMPONENTS	
1667	MTC5609	7RU/2590-99-930-7863	BRACKET, VEHICULAR COMPONENTS	
1668	MTC5760	7RU/2540-99-721-4411	TRUNNION	
1669	MTC5851	7RU/2540-99-788-8240	BADGE	
1670	MTC6006	7RU/7690-99-887-3690	LABEL	
1671	MTC6007	7RU/7690-99-234-3137	LABEL	
1672	MTC6080	7RU/2540-99-788-8241	COVER ASSEMBLY, WIPER MOTOR	
1673	MTC6115	7RU/9330-99-341-3876	MOLDING, PLASTIC	
1674	MTC6142	6MT13/2540-99-788-8242	GRABHANDLE ASSEMBLY	
1675	MTC6143	7RU/2540-99-788-8243	GRABHANDLE ASSEMBLY	
1676	MTC6194	7RU/2540-99-721-4410	CABLE ASSEMBLY, CONTROL	
1677	MTC6206	7RU/2540-99-605-8604	DRAUGHT RAIL, DOOR	
1678	MTC6207	7RU/2510-99-356-7733	RAIL	
1679	MTC6208	7RU/2540-99-457-5224	DRAUGHT RAIL, DOOR	
1680	MTC6209	7RU/2590-99-978-2263	SLIDE RAIL, OUTER	
1681	MTC6210	7RU/2590-99-462-6763	SLIDE RAIL	
1682	MTC6211	7RU/2590-99-978-2928	RAIL	
1683	MTC6214	7RU/2510-99-244-4830	RAIL, DRAUGHT	
1684	MTC6215	7RU/2510-99-253-3957	RAIL, DRAUGHT, LH	
1685	MTC6221	7RU/2510-99-797-6078	BLOCK, RUNNER	
1686	MTC6222	7RU/2510-99-797-6076	WEATHER STRIP	

I T E M N O	Mfr Part Number	Catalogue Number	Item Name	Remarks
1687	MTC6223	7RU/5307-99-721-5136	STUD, RECESSED AND STEPPED	
1688	MTC6276	7RU/2540-99-721-5129	FINGER PULL, WINDOW	
1689	MTC6278	7RU/2540-99-721-5130	FINGER PULL, WINDOW	
1690	MTC6376	7RU/2540-99-721-4447	MIRROR ASSEMBLY, REARVIEW	
1691	MTC6382	7RU/2540-99-721-4421	HOSE, AIR DUCT	
1692	MTC6504	7RU/2540-99-740-2711	BARREL SET, DOOR LOCK	
1693	MTC6505	7RU/2540-99-756-5899	BARREL, LOCK	
1694	MTC6827	7RU/5340-99-788-8257	BRACKET, ANGLE	
1695	MTC6871	7RU/5330-99-788-8258	SEAL	
1696	MTC6872	7RU/2540-99-721-7184	PAD, INSULATION	
1697	MTC7549	7RU/5330-99-742-2433	RUBBER STRIP	
1698	MTC7550	7RU/5330-99-742-2434	RUBBER STRIP	
1699	MTC7611	7RU/2590-99-783-3799	RUBBER	
1700	MTC7737	G1/5305-99-941-1937	SCREW, MACHINE	
1701	MTC7878	7RU/2590-99-831-3558	COVER PANEL	
1702	MTC7879	7RU/5340-99-147-0727	COVER, ACCESS	
1703	MTC8184	7XD/2510-99-301-7168	FLOOR, BODY, VEHICULAR	
1704	MTC8185	7XD/2510-99-574-4637	FLOOR, BODY, VEHICULAR	
1705	MTC8357	7RU/2540-99-581-6517	BRACKET, MUDFLAP	
1706	MTC8358	7RU/2540-99-713-3023	BRACKET	
1707	MTC9914	7RU/2590-99-500-0498	BRACKET, MOUNTING, GROMMET	
1708	MTC9962	7XD/5325-99-201-5952	FASTENER, SPRING TENSION, TRIM	
1709	MTC9967	7XD/2540-99-695-2747	TRIM LOCKING	
1710	MTC9968	7RU/5305-99-780-2231	SCREW	
1711	MUC1049	7XD/5307-99-052-0293	STUD PLATE	
1712	MUC1237	7XD/5330-99-427-7905	SEAL, NONMETALLIC STRIP	
1713	MUC1402	7RU/5340-99-788-8397	HANDLE, BOW	
1714	MUC1512	7XDW/5365-99-810-8269	PLATE, MOUNTING	
1715	MUC1582	7RU/2540-99-788-8412	RETAINER, ASHTRAY	
1716	MUC1961	7RU/5306-99-024-8863	BOLT ASSEMBLY, PLATE	
1717	MUC2417	6MT12/2940-99-729-2980	VALVE, DUMP	
1718	MUC2440	7RU/2540-99-776-9671	RETAINER ASSEMBLY, SPARE WHEEL	
1719	MUC2442	7RU/2540-99-776-9670	CLAMP PLATE ASSEMBLY	
1720	MUC2594	7RU/2510-99-740-0893	FRAME, WINDSCREEN, VEHICULAR	
1721	MUC3610	7XD/5330-99-968-1992	SEAL, NONMETALLIC SPECIAL SHAPED SECTION	
1722	MUC3733	7RU/5330-99-740-0894	SEAL, RUBBER SPECIAL SHAPED SECTION	
1723	MUC3746	7RU/2540-99-781-4217	DRAUGHT SEAL	
1724	MUC3986	7XDW/5340-99-853-8171	BRACKET, ANGLE	

I T E M N O	Mfr Part Number	Catalogue Number	Item Name	Remarks
1725	MUC3987	7XDW/5340-99-347-5041	BRACKET, ANGLE	
1726	MUC4138	7XD/2540-99-161-4003	PROTECTOR	
1727	MUC4289	7XD/5365-99-973-3638	SPACER, PLATE	
1728	MUC4290	7XD/5340-99-215-7409	PLATE, MOUNTING	
1729	MUC4801	7XD/2590-99-254-7460	SEALING BEZEL, HEATER DUCT	
1730	MUC6457	7RU/2590-99-310-8710	HOOK, SAFETY	
1731	MUC6519	7DP/5340-99-517-3500	COVER, ACCESS	
1732	MUC7000	7XD/5330-99-611-5335	SEAL, NONMETALLIC STRIP	
1733	MUC7505	7XD/5330-99-702-1418	GASKET	
1734	MUC7506	7XD/5330-99-790-2927	GASKET	
1735	MUC7598	7RU/2590-99-611-3922	BASE STIFFENER-PANEL COWL	
1736	MUC7599	7RU/2510-99-477-6016	STIFFENER, BASE, INSTRUMENT PANEL COWL	
1737	MUC7907	7XD/5310-99-001-6973	WASHER, FLAT	
1738	MUC7911	7XD/5340-99-001-6972	BRACKET, MOUNTING	
1739	MUC7912	7XD/5340-99-810-5736	BRACKET, MOUNTING	
1740	MUC7947	7RU/2540-99-319-8500	PLATE ASSEMBLY, BUSH	
1741	MUC8730	7RU/5340-99-701-1179	BRACKET, ANGLE	
1742	MUC8731	7RU/2510-99-978-2574	BRACKET, L H CORNER	
1743	MUC8737	7RU/2510-99-605-6790	PANEL, REINFORCING, TAILBOARD	
1744	MUC8738	7RU/5340-99-737-3367	BRACKET, ANGLE	
1745	MUC8739	7RU/5340-99-737-3368	BRACKET, ANGLE	
1746	MUC8746	7RU/2510-99-737-3373	LOCKING PLATE, TAILBOARD	
1747	MUC8754	7XD/5340-99-771-3310	GRIP, HANDLE	
1748	MUC9220	7XD/2510-99-911-6070	STAY	
1749	MVC100040	7XDW/5340-99-573-6405	BOOT, DUST AND MOISTURE SEAL	
1750	MVD100000	7XDW/5963-99-573-6406	ELECTRONIC CONTROL UNIT	
1751	MWC1691	7XD/2590-99-225-6190	LABEL, ROTATING COMPONENTS	
1752	MWC1736	7RU/2510-99-234-1536	BRACKET, SUPPORT, DOOR STRIKER PLATE	
1753	MWC1737	7RU/2510-99-844-9597	BRACKETXSUPPORTXDO OR STRIKER PLATE	
1754	MWC1820	7XD/2510-99-453-8076	PANEL, BODY, VEHICULAR	
1755	MWC1821	7XD/2510-99-453-8077	PANEL, BODY, VEHICULAR	
1756	MWC1898	7XD/5365-99-902-6925	SPACER, PLATE	
1757	MWC2129	7XD/5330-99-060-4165	GASKET	
1758	MWC2139	7XD/5306-99-483-7280	BOLT, MACHINE	
1759	MWC2314	7RU/2540-99-595-6506	TRIM	
1760	MWC2567	7RU/2540-99-951-3900	SEAL, DRAIN CHANNEL	
1761	MWC2938	7RU/2510-99-084-4475	CAPPING, FRONT PANEL	

I T E M N O	Mfr Part Number	Catalogue Number	Item Name	Remarks
1762	MWC3136	7RU/5340-99-915-3871	RECEPTACLE, FRICTION CATCH STUD	
1763	MWC3320	7XD/2510-99-973-1827	PANEL, BODY, VEHICULAR	
1764	MWC3321	7XD/2510-99-517-3499	PANEL, BODY, VEHICULAR	
1765	MWC3339	7XD/2590-99-591-3274	PLATE, CATCH	
1766	MWC4712	7XD/2510-99-027-0982	WINDOW, VEHICULAR	
1767	MWC4718	7RU/2510-99-227-8232	WINDOW, VEHICULAR	
1768	MWC4719	7RU/2510-99-872-8633	WINDOW, VEHICULAR	
1769	MWC4746	7RU/2510-99-942-2080	SIDESCREEN ASSEMBLY	
1770	MWC4747	7RU/2540-99-591-1455	WINDOW, VEHICULAR	
1771	MWC4752	7XD/5330-99-702-1710	GASKET	
1772	MWC4753	7XD/5330-99-126-3342	GASKET	
1773	MWC4757	7XD/5330-99-769-9767	FELT, MECHANICAL, PREFORMED	
1774	MWC4790	7XD/2540-99-769-9728	FINGER PULL, WINDOW	
1775	MWC4791	7RU/2540-99-004-0863	FINGER PULL, WINDOW	
1776	MWC5759	7RU/2590-99-777-5290	RUBBER BUFFER	
1777	MWC6106PCB	7XD/9330-99-363-2418	MOLDING, PLASTIC	
1778	MWC6450	7XD/3040-99-301-7166	BRACKET, EYE, ROTATING SHAFT	
1779	MWC7635	7XD/2540-99-911-6073	COVER, MECHANISM	
1780	MWC7636	7XD/2540-99-887-6780	COVER, MECHANISM	
1781	MWC8648	7XD/5340-99-457-5175	PLATE, RETAINING	
1782	MWC9313	7XD/5340-99-215-6358	BRACKET, MOUNTING	
1783	MWC9322	7XD/5310-99-702-3243	NUT, SHEET SPRING	
1784	MWC9338PMA	7RU/2590-99-972-3919	END TRIM, INSTRUMENT PANEL	
1785	MWC9339PMA	7RU/2590-99-601-7649	END TRIM, INSTRUMENT PANEL	
1786	MWC9340	7XD/2510-99-517-3498	BODY ASSEMBLY	
1787	MWC9917	7RU/5325-99-810-3015	FASTENER	
1788	MWC9918LCS	7RU/5325-99-147-0850	FASTENER, SPRING TENSION, TRIM	
1789	MXC1394LUH	7XD/2540-99-535-6828	VISOR, SUN, VEHICLE	
1790	MXC1395LUH	7XD/2540-99-432-6922	VISOR, SUN, VEHICLE	
1791	MXC1790	7RU/2510-99-131-1131	TORSION BAR ASSEMBLY, CHECKSTRAP	
1792	MXC1848	7XD/5340-99-688-1252	CLIP, SPRING TENSION	
1793	MXC2047	7RU/2510-99-500-1398	BRACKET	
1794	MXC2913	7XD/2510-99-301-8354	PANEL, BODY, VEHICULAR	
1795	MXC2932	7XD/5305-99-702-1699	SCREW, MACHINE	
1796	MXC3112	7XD/5325-99-553-2478	GROMMET BLANK, NONMETALLIC	
1797	MXC3130PUB	7XD/2540-99-331-8336	PLUG	
1798	MXC4657	7XD/2540-99-227-6055	STUD	
1799	MXC5212	7XD/2540-99-647-9941	ADAPTOR	
1800	MXC5497	6MT13/2540-99-849-9971	BELT, VEHICULAR SAFETY	
1801	MXC5549	7XD/5306-99-859-1828	BOLT, SHOULDER	
1802	MXC6084PMA	7RU/2540-99-257-8103	PAD, CRASH, UPPER	

I T E M N O	Mfr Part Number	Catalogue Number	Item Name	Remarks
1803	MXC6292LNF	7XD/5325-99-238-1216	STUD, TURNLOCK FASTENER	
1804	MXC6338	7XD/5340-99-499-7535	BRACKET, ANGLE	
1805	MXC6412	7XDW/2540-99-320-0145	GUARD, SPLASH, VEHICULAR	
1806	MXC6413	7XDW/2540-99-373-6103	GUARD, SPLASH, VEHICULAR	
1807	MXC7264	7XD/2590-99-301-7191	ANCHOR PLATE ASSEMBLY	
1808	MXC7846	7RU/2510-99-356-4278	HINGE ASSEMBLY, WINDSCREEN	
1809	MXC7847	7RU/2540-99-199-7281	HINGE ASSEMBLY, WINDSCREEN	
1810	MXC8157	7XD/5325-99-131-1561	GROMMET BLANK, NONMETALLIC	
1811	MXC8304	7XD/5310-99-060-4169	WASHER, FLAT	
1812	MXC8556	7XD/6160-99-726-0106	TRAY, BATTERY	
1813	MXC8709	7XD/5340-99-303-0467	BUTTON, PLUG	
1814	MXC9455	7RU/5330-99-742-2423	SEAL	
1815	MXC9982	7RU/5330-99-126-0575	GASKET	
1816	MXC9983	7XD/5330-99-377-5153	GASKET	
1817	MYF100830	7XDW/5365-99-573-6407	SPACER	
1818	NAD101380	7XDW/2920-99-573-6408	STARTER, ENGINE, ELECTRICAL	
1819	NAI100000	7XDW/5330-99-573-6409	GASKET	
1820	NA105011L	G1/5310-99-780-7319	NUT, PLAIN, WING	
1821	NA106011	G1/5310-99-941-6432	NUT, PLAIN, WING	
1822	NCD100090	7XDW/6150-99-573-6410	LEAD, ELECTRICAL	
1823	NC112041	G1/5310-99-135-9042	NUT, PLAIN, SLOTTED, HEXAGON	
1824	NH103041L	G1/5310-99-122-6455	NUT, PLAIN, HEXAGON	
1825	NH104041L	G1/5310-99-122-6456	NUT, PLAIN, HEXAGON	
1826	NH104044	7XD/5310-99-533-8786	NUT, PLAIN, HEXAGON	
1827	NH105041	G1/5310-99-122-5294	NUT, PLAIN, HEXAGON	
1828	NH105041L	G1/5310-99-122-5294	NUT, PLAIN, HEXAGON	
1829	NH106041L	G1/5310-99-122-5295	NUT, PLAIN, HEXAGON	
1830	NH106045	7XD/5310-99-641-7475	NUT, PLAIN, HEXAGON	
1831	NH106047L	7XD/5310-99-950-3624	NUT, PLAIN, HEXAGON	
1832	NH108041L	G1/5310-99-122-5296	NUT, PLAIN, HEXAGON	
1833	NH108044	7RU/5310-99-909-5980	NUT, PLAIN, HEXAGON	
1834	NH604041L	G1/5310-99-804-7941	NUT, PLAIN, HEXAGON	
1835	NH605041L	G1/5310-99-136-1515	NUT, PLAIN, HEXAGON	
1836	NJ108061L	G1/5310-99-741-7927	RETAINER, ASSEMBLED NUT	
1837	NK106081	7XD/5310-99-668-7687	NUT, GRIP	
1838	NN105011	7XD/5310-99-702-1797	NUT, PLAIN, BLIND RIVET	
1839	NN105011L	7XD/5310-99-702-1797	NUT, PLAIN, BLIND RIVET	
1840	NN105021	G1/5310-99-629-3331	NUT, PLAIN, BLIND RIVET	
1841	NN105021L	G1/5310-99-629-3331	NUT, PLAIN, BLIND RIVET	

I T E M N O	Mfr Part Number	Catalogue Number	Item Name	Remarks
1842	NN106011	G1/5310-99-122-7704	NUT, PLAIN, BLIND RIVET	
1843	NN106021	G1/5310-99-138-4838	NUT, PLAIN, BLIND RIVET	
1844	NN108021	G1/5310-99-786-8369	NUT, PLAIN, BLIND RIVET	
1845	NRC2051	6MT13/2540-99-825-6119	PINTLE ASSEMBLY, TOWING	
1846	NRC2089	7XD/5340-99-800-3982	BRACKET, ANGLE	
1847	NRC2383	7XD/5340-99-360-4111	CLIP, SPRING TENSION	
1848	NRC2652	7RU/4730-99-721-3593	TEE, HOSE	
1849	NRC2744	7RU/5340-99-721-3546	GRIP, HANDBRAKE LEVER	
1850	NRC4251	6MT9/4730-99-838-2191	TEE, PIPE	
1851	NRC4317	7RU/5340-99-721-3483	SEAT, HELICAL COMPRESSION SPRING	
1852	NRC4318	7RU/5340-99-721-3484	RETAINER, SPRING	
1853	NRC4475	7RU/5315-99-721-3521	PIN, STRAIGHT, HEADLESS	
1854	NRC4515	7RU/5310-99-720-8116	WASHER, DISHED	
1855	NRC4661	7XD/5340-99-573-1938	BRACKET, MOUNTING	
1856	NRC4693	7XD/5365-99-254-7479	SPACER, PLATE	
1857	NRC4757	7RU/5365-99-721-3574	SPACER, SLEEVE	
1858	NRC4765	7RU/5306-99-722-6370	BOLT, SHOULDER	
1859	NRC4967	7RU/5340-99-460-9791	PLATE, MOUNTING	
1860	NRC5220	7RU/2540-99-721-3520	BRACKET, ACCELERATOR PEDAL	
1861	NRC5502	7RU/5315-99-722-6367	PIN, STRAIGHT, HEADED	
1862	NRC5593	7RU/5340-99-739-7628	MOUNT, RESILIENT	
1863	NRC5602	7RU/2540-99-721-3478	RETAINER WASHER	
1864	NRC5603	7RU/2540-99-721-3479	RETAINER WASHER	
1865	NRC5627	7RU/5365-99-254-7489	SPACER, SLEEVE	
1866	NRC5674	7RU/5340-99-730-3446	MOUNT, RESILIENT	
1867	NRC5886	7RU/5340-99-254-7492	PLUG, PROTECTIVE, DUST AND MOISTURE SEAL	
1868	NRC6097	7RU/5340-99-721-3573	LOCKING PLATE, NUT AND BOLT	
1869	NRC62	7RU/5365-99-828-7803	PLUG, MACHINE THREAD	
1870	NRC6658	7RU/5306-99-730-3447	BOLT, SHOULDER	
1871	NRC6799	7RU/5325-99-741-2059	GROMMET, RUBBER	
1872	NRC6951	7XD/5340-99-156-3637	BRACKET, MOUNTING	
1873	NRC6994	7RU/2540-99-726-8568	BLOCK ASSEMBLY, BUMPER	
1874	NRC7009	7RU/2540-99-254-7503	BUMPER, VEHICULAR	
1875	NRC7053	7XD/2510-99-254-7504	MOUNTING BRACKET, BODY	
1876	NRC7127	7XD/5340-99-075-8018	BRACKET, DOUBLE ANGLE	
1877	NRC7131	7RU/5365-99-254-7505	SPACER, PLATE	
1878	NRC7164	7XD/5340-99-254-7508	BRACKET, DOUBLE ANGLE	
1879	NRC7165	7XD/5340-99-254-7509	BRACKET, DOUBLE ANGLE	
1880	NRC7372	7XD/5340-99-915-4247	BRACKET, DOUBLE ANGLE	
1881	NRC7387	7RU/2530-99-721-3509	UNIVERSAL JOINT	
1882	NRC7422	7RU/2590-99-777-5299	CLAMP	

ITEM NO	Mfr Part Number	Catalogue Number	Item Name	Remarks
1883	NRC7435	7RU/2590-99-254-7512	SUPPORT, TOE BOX	
1884	NRC7436	7RU/2590-99-254-7513	SUPPORT, TOE BOX	
1885	NRC7459	7RU/5306-99-125-9210	BOLT, U	
1886	NRC7636	7RU/2530-99-729-2949	RING, STRIKER	
1887	NRC7704	7RU/3010-99-825-6050	COUPLING, SHAFT, FLEXIBLE	
1888	NRC7827	7RU/2540-99-721-3519	PEDAL-LEVER, CONTROL	
1889	NRC7835	7RU/5930-99-701-6712	BRACKET, ELECTRICAL SWITCH	
1890	NRC7836	7RU/5340-99-902-2291	BRACKET, MOUNTING	
1891	NRC7869	6MT1/4720-99-741-2061	TUBING, PLASTICS	
1892	NRC7874	6MT9/2530-99-786-7626	HOSE ASSEMBLY, RUBBER	
1893	NRC7981	7RU/2540-99-720-9991	BRACKET, SHOCK ABSORBER	
1894	NRC8332	6MT1/5340-99-741-2060	CLIP, CABLE	
1895	NRC8734	7RU/2590-99-254-7547	MOUNTING BRACKET, HAND THROTTLE CONTROL	
1896	NRC8955	7RU/2940-99-729-2975	VALVE, DUMP	
1897	NRC9121	7RU/5360-99-721-3523	SPRING, HELICAL, TORSION	
1898	NRC9239	6MT12/2815-99-836-6653	WING-NUT ASSEMBLY	
1899	NRC9246	6MT1/5340-99-730-9620	CLIP, PIPE	
1900	NRC9338	7XD/5340-99-930-7490	CLIP, SPRING TENSION	
1901	NRC9379	7XDW/2540-99-781-9177	GUARD	
1902	NRC9446	7RU/5360-99-730-0717	SPRING, HELICAL, COMPRESSION	
1903	NRC9448	7RU/5360-99-730-9602	SPRING, HELICAL, COMPRESSION	
1904	NRC9449	7RU/5360-99-730-9603	SPRING, HELICAL, COMPRESSION	
1905	NRC9455	7RU/4720-99-839-5412	HOSE ASSEMBLY, NONMETALLIC	
1906	NRC9456	6MT9/2530-99-729-2951	HOSE ASSEMBLY, NONMETALLIC	
1907	NRC9679	7XD/2910-99-215-6080	SPILL RETURN PIPE	
1908	NRC9682	7RU/5306-99-776-9621	STUD, BONDED	
1909	NRC9695	7XD/5340-99-990-8261	BRACKET, MOUNTING	
1910	NRC9696	7XD/5340-99-485-2858	BRACKET, MOUNTING	
1911	NRC9698	7XD/5310-99-854-9221	NUT, PLAIN, PLATE	
1912	NRC9700	7RU/5340-99-660-1880	SEAT, HELICAL COMPRESSION SPRING	
1913	NRC9708	7RU/4330-99-940-3705	STRAINER ASSEMBLY, DIESEL FUEL OIL	
1914	NRC9711	7XD/2530-99-254-7556	TIE, STEERING COLUMN	
1915	NRC9713	7RU/2590-99-777-5294	BRACKET	
1916	NRC9729	7RU/2590-99-775-5906	PANHARD ROD	
1917	NRC9742	7RU/2530-99-729-3011	TIE ROD, STEERING	
1918	NRC9743	7RU/2530-99-978-2185	TRACK ROD ASSEMBLY	

I T E M N O	Mfr Part Number	Catalogue Number	Item Name	Remarks
1919	NRC9770	7RU/4730-99-793-3134	NUT, UNION	
1920	NRC9771	7RU/4730-99-793-3133	SLEEVE, COMPRESSION, TUBE-HOSE FITTING	
1921	NTC1175	7XD/5340-99-702-1420	CLIP, SPRING TENSION	
1922	NTC1176	7XD/5340-99-244-7878	CLIP, SPRING TENSION	
1923	NTC1177	7XD/5340-99-623-9011	CLIP, SPRING TENSION	
1924	NTC1210	7RU/2540-99-027-6772	PEDAL, CONTROL	
1925	NTC1518	7XD/2910-99-841-9724	FILTER, FLUID	
1926	NTC1612	7RU/5365-99-547-8370	PLUG, MACHINE THREAD	
1927	NTC1775	7RU/5340-99-776-9076	MOUNT, RESILIENT	
1928	NTC1888	7RU/2530-99-563-4954	BALL JOINT LINK ASSEMBLY	
1929	NTC2156	7RU/4730-99-727-6577	ELBOW, PIPE	
1930	NTC2159	7XD/2910-99-131-1509	FUEL PICK-UP PIPE ASSEMBLY	
1931	NTC2337	7RU/4720-99-660-8486	HOSE, PREFORMED	
1932	NTC2338	7RU/4720-99-776-9629	HOSE, PREFORMED	
1933	NTC2655	7RU/2910-99-741-5892	TUBE, EXTENSION	
1934	NTC2676	7RU/2910-99-776-9622	NECK, FUEL FILLER	
1935	NTC2681	7RU/5306-99-451-3125	BOLT, PLATE ASSEMBLY	
1936	NTC2837	7XD/5310-99-722-6820	NUT, PLAIN, SQUARE	
1937	NTC3346	7RU/4730-99-398-6827	BOLT, FLUID PASSAGE	
1938	NTC3863	7XD/5340-99-771-4465	CLIP, SPRING TENSION	
1939	NTC4414	7RU/2530-99-617-3240	CAP, FILLER OPENING	
1940	NTC4571	7XD/5310-99-957-4400	NUT, SELF-LOCKING, HEXAGON	
1941	NTC4601	7XD/4720-99-769-3911	TUBING ASSEMBLY, NONMETALLIC	
1942	NTC4618	7XD/5310-99-663-3798	NUT, PLAIN, CASTELLATED, HEXAGON	
1943	NTC5017	7XD/5330-99-517-2899	GASKET	
1944	NTC5027L	7XDW/5340-99-437-3072	CLAMP, LOOP	
1945	NTC5401	7XD/5305-99-902-3281	SETSCREW	
1946	NTC5648	7XD/2990-99-851-8453	HANGER, ENGINE EXHAUST SYSTEM	
1947	NTC5708	7XD/4710-99-548-7736	TUBE ASSEMBLY, METAL	
1948	NTC6106	7XD/2540-99-131-1506	RETAINER	
1949	NTC6776	7XD/5340-99-885-1189	STRAP, RETAINING	
1950	NTC6781	7RU/5340-99-994-0045	MOUNT, RESILIENT	
1951	NTC6828	7XD/5365-99-152-5237	BUSHING, NONMETALLIC	
1952	NTC6837	7XD/2510-99-577-3837	BAR, STABILIZER	
1953	NTC6847	7XD/5340-99-430-9420	STRAP, RETAINING	
1954	NTC7161	7XD/5340-99-052-0101	CAP, FILLER OPENING	
1955	NTC7294	7XD/2590-99-370-8411	PAD, CUSHIONING	
1956	NTC7331	7RU/2530-99-160-4175	ROD, ALIGNING, VEHICULAR AXLE	
1957	NTC7396	7XD/5310-99-052-0786	NUT, PLAIN, CONE SEAT, HEXAGON	
1958	NTC7829	6MT2/5120-99-817-1229	WRENCH, WHEEL NUT	

ITEM NO	Mfr Part Number	Catalogue Number	Item Name	Remarks
1959	NTC7961	7RU/4710-99-219-2700	TUBE ASSEMBLY, METAL	
1960	NTC7968	7RU/4710-99-304-1643	TUBE ASSEMBLY, METAL	
1961	NTC8011	7XD/3040-99-052-0787	LEVER, REMOTE CONTROL	
1962	NTC8202	7XD/5306-99-535-6877	BOLT, SHOULDER	
1963	NTC8242	7XD/5340-99-768-8162	CLIP, PIPE	
1964	NTC8453	7XD/4710-99-052-0355	TUBE ASSEMBLY, METAL	
1965	NTC8454	7XD/4710-99-665-0625	TUBE ASSEMBLY, METAL	
1966	NTC8544	7XD/3120-99-421-2212	BUSHING, SLEEVE	
1967	NTC8836	7RU/2530-99-902-2278	VALVE	
1968	NTC8848	7RU/7690-99-147-1395	MARKER, IDENTIFICATION	
1969	NTC9055	7XD/4720-99-980-8528	HOSE ASSEMBLY, NONMETALLIC	
1970	NTC9068	7RU/2530-99-439-2249	STEERING GEAR	
1971	NTC9359	7XD/2910-99-464-7073	ACCELERATOR CABLE	
1972	NTC9360	7XD/2910-99-020-7751	ACCELERATOR CABLE	
1973	NTC9415	7XD/2510-99-859-1799	BRACKET, ENGINE MOUNT	
1974	NTC9416	7XD/5340-99-356-4592	MOUNT, RESILIENT	
1975	NTC9461	7RU/2530-99-051-4906	ARM, MOUNTING	
1976	NTC9462	7RU/2530-99-462-4549	ARM, MOUNTING	
1977	NTC9726	7RU/4710-99-300-8722	TUBE ASSEMBLY, METAL	
1978	NT108041L	G1/5310-99-139-0313	NUT, PLAIN, HEXAGON	
1979	NT112041L	G1/5310-99-122-5304	NUT, PLAIN, HEXAGON	
1980	NT605041L	G1/5310-99-136-1526	NUT, PLAIN, HEXAGON	
1981	NT607041L	G1/5310-99-136-1528	NUT, PLAIN, HEXAGON	
1982	NT614041L	G1/5310-99-136-1522	NUT, PLAIN, HEXAGON	
1983	NUC100340	7XDW/5930-99-573-6411	SWITCH, PRESSURE	
1984	NV108041	G1/5310-99-139-5314	NUT, SELF-LOCKING, HEXAGON	
1985	NV108041L	G1/5310-99-139-5314	NUT, SELF-LOCKING, HEXAGON	
1986	NV114047	7XD/5310-99-608-3418	NUT, SELF-LOCKING, HEXAGON	
1987	NV116041	G1/5310-99-138-1498	NUT, SELF-LOCKING, HEXAGON	
1988	NV116047	7XD/5310-99-702-1829	NUT, SELF-LOCKING, HEXAGON	
1989	NY104041L	G1/5310-99-119-3324	NUT, SELF-LOCKING, HEXAGON	
1990	NY105041L	G1/5310-99-122-5494	NUT, SELF-LOCKING, HEXAGON	
1991	NY106041	G1/5310-99-139-5313	NUT, SELF-LOCKING, HEXAGON	
1992	NY106041L	G1/5310-99-138-8423	NUT, SELF-LOCKING, HEXAGON	
1993	NY106047L	7XD/5310-99-605-8049	NUT, SELF-LOCKING, HEXAGON	
1994	NY108041L	G1/5310-99-122-5496	NUT, SELF-LOCKING, HEXAGON	
1995	NY108051L	7XD/5310-99-850-3501	NUT	

I T E M N O	Mfr Part Number	Catalogue Number	Item Name	Remarks
1996	NY110041L	G1/5310-99-122-5497	NUT, SELF-LOCKING, HEXAGON	
1997	NY110047	7XD/5310-99-215-8626	NUT, SELF-LOCKING, HEXAGON	
1998	NY110047L	7XD/5310-99-215-8626	NUT, SELF-LOCKING, HEXAGON	
1999	NY110051L	7XD/5310-99-215-8581	NUT, SELF-LOCKING, HEXAGON	
2000	NY112041L	G1/5310-99-122-5498	NUT, SELF-LOCKING, HEXAGON	
2001	NY116041L	G1/5310-99-122-5503	NUT, SELF-LOCKING, HEXAGON	
2002	NY116051L	7RU/5310-99-300-8721	NUT, SELF-LOCKING, HEXAGON	
2003	NY120041L	G1/5310-99-122-5504	NUT, SELF-LOCKING, HEXAGON	
2004	NY604041L	G1/5310-99-941-3524	NUT, SELF-LOCKING, HEXAGON	
2005	NY605041L	G1/5310-99-941-3525	NUT, SELF-LOCKING, HEXAGON	
2006	NY606041L	G1/5310-99-943-4299	NUT, SELF-LOCKING, HEXAGON	
2007	NY608041	G1/5310-99-943-4300	NUT, SELF-LOCKING, HEXAGON	
2008	NY608041L	G1/5310-99-943-4300	NUT, SELF-LOCKING, HEXAGON	
2009	NZ606041L	7XD/5310-99-122-4812	NUT, SELF-LOCKING, HEXAGON	
2010	PA105161L	G1/5315-99-139-7205	PIN, SPRING	
2011	PA120801L	7RU/5315-99-874-3016	PIN, SPRING	
2012	PBP101130	7XD/4710-99-752-8013	PIPE, OIL COOLER TO ENGINE	
2013	PBP101140	7XD/4710-99-125-4651	PIPE, ENGINE TO OIL COOLER	
2014	PC108241	G1/5315-99-723-2611	PIN, STRAIGHT, HEADED	
2015	PC108291L	7RU/5315-99-796-7513	PIN, STRAIGHT, HEADED	
2016	PC112291	7XD/5315-99-808-7511	PIN, STRAIGHT, HEADED	
2017	PEP102840	7XD/4730-99-749-5056	PIPE, STUB	
2018	PET100790	7XD/5330-99-125-4644	GASKET	
2019	PHB102510	7XDW/2940-99-573-6413	AIR CLEANER, INTAKE	
2020	PHB102520	7XDW/2940-99-573-6414	FILTER BODY, INTAKE AIR CLEANER	
2021	PHB102610	7XDW/2940-99-573-6415	CAP ASSEMBLY, AIR CLEANER	
2022	PHB102620	7XDW/2940-99-573-6416	VALVE, DUMP	
2023	PHE100490	7XDW/2940-99-573-6417	FILTER ELEMENT, INTAKE AIR CLEANER	
2024	PHH100300	7XDW/4720-99-573-6418	HOSE, AIR DUCT	
2025	PHH100310	7XDW/4720-99-573-6419	HOSE, AIR DUCT	
2026	PHH100320	7XDW/4720-99-573-6420	HOSE, AIR DUCT	
2027	PHH100330	7XDW/4720-99-573-6421	HOSE, AIR DUCT	

ITEM NO	Mfr Part Number	Catalogue Number	Item Name	Remarks
2028	PHL100090	7XDW/5340-99-573-6422	PLATE	
2029	PHO100000	7XDW/2940-99-573-6423	PIPE ASSEMBLY, AIR INTAKE	
2030	PJA100010	7XDW/2940-99-573-6424	PARTS KIT, BREATHER MANIFOLD	
2031	PJO100030	7XDW/2940-99-573-6425	MANIFOLD, BREATHER	
2032	PJR100040	7XDW/2940-99-573-6426	COVER	
2033	PKH100000	7XDW/4720-99-573-6427	TUBING ASSEMBLY, NONMETALLIC	
2034	PKH100010	7XDW/4720-99-573-6428	TUBING ASSEMBLY, NONMETALLIC	
2035	PKX100050	7XDW/5330-99-573-6429	GASKET	
2036	PMM100080	7XDW/4720-99-573-6431	HOSE ASSEMBLY, NONMETALLIC	
2037	PQG100290	7XDW/3950-99-573-6432	TENIONER PULLEY ASSEMBLY	
2038	PQR101080	7XDW/3020-99-573-6433	PULLEY, GROOVE	
2039	PQR101090	7XDW/3020-99-573-6434	PULLEY, FLAT	
2040	PQZ100020	7XDW/3020-99-573-6435	PULLEY, GROOVE	
2041	PQZ100030	7XDW/3020-99-573-6436	PULLEY, GROOVE	
2042	PRC1824	7RU/2590-99-829-9881	WIRING HARNESS	
2043	PRC1825	7RU/2590-99-829-9882	CABLE ASSEMBLY, RADIO FREQUENCY	
2044	PRC2078	6MT4/5935-99-797-3844	SOCKET, ELECTRICAL	
2045	PRC2079	7RU/5970-99-797-3845	INSULATOR, BUSHING	
2046	PRC2080	7RU/5970-99-797-3846	INSULATOR, BUSHING	
2047	PRC2087	G1/5310-99-795-8306	NUT, PLAIN, HEXAGON	
2048	PRC2268	X5/6240-99-737-7104	LAMP, FILAMENT	
2049	PRC2471	6MT3/4710-99-721-4439	PIPE, STEEL	
2050	PRC2911	6MT4/5930-99-797-8635	SWITCH, PUSH	
2051	PRC2979	7XD/5340-99-254-7588	BRACKET, CABLE SUPPORT	
2052	PRC2980	7XD/5340-99-254-7589	BRACKET, ANGLE	
2053	PRC3025	7RU/5340-99-254-7590	CLIP, SPRING TENSION	
2054	PRC3180	7RU/5340-99-254-7591	CLIP, SPRING TENSION	
2055	PRC3284	7RU/2590-99-741-1769	LEAD, ELECTRICAL	
2056	PRC3359	7RU/5930-99-731-0911	SWITCH, THERMOSTATIC	
2057	PRC3460	7RU/5940-99-743-3550	POST, BINDING, ELECTRICAL	
2058	PRC3505	7XD/5930-99-731-0910	SWITCH, THERMOSTATIC	
2059	PRC3615	7XD/2540-99-517-3104	PUMP, WINDSHIELD WIPER, AUTOMOTIVE	
2060	PRC3671	7RU/2540-99-720-8160	CASING, WIPER DRIVE	
2061	PRC3672	7RU/2540-99-771-6983	PIPE, STEEL	
2062	PRC3875	6MT4/5930-99-797-8640	SWITCH, LEVER	
2063	PRC4276	6MT3/2540-99-839-5405	ARM, WINDSCREEN WIPER	
2064	PRC4277	6MT3/2540-99-839-5406	ARM, WINDSCREEN WIPER	
2065	PRC4297	6MT4/5930-99-797-8645	SWITCH, PUSH	

I T E M N O	Mfr Part Number	Catalogue Number	Item Name	Remarks
2066	PRC4326	7XD/6240-99-670-3586	LAMP, INCANDESCENT	
2067	PRC4373	7RU/6150-99-126-1523	LEAD, ELECTRICAL	
2068	PRC4411	7XD/6350-99-599-0639	HORN, SIGNAL	
2069	PRC4412	7XD/5120-99-709-0754	PULLER, FUSE	
2070	PRC4449	7RU/6110-99-766-0595	SWITCH, WASH-WIPE	
2071	PRC4454	7RU/5355-99-779-5997	KNOB	
2072	PRC4795	7XD/5340-99-401-2293	BRACKET, DOUBLE ANGLE	
2073	PRC4826	7XD/5920-99-572-6333	FUSE BOX	
2074	PRC4890	7XD/6350-99-126-4170	BUZZER	
2075	PRC5003	7RU/2510-99-935-7325	COVER, TERMINAL POST	
2076	PRC5007	7XD/9330-99-579-1630	TUBING, PLASTIC, SPIRAL WRAP	
2077	PRC5273	7XDW/5340-99-938-5822	CLIP, SPRING TENSION	
2078	PRC5477	7RU/5940-99-562-4273	TERMINAL BOX	
2079	PRC5478	7RU/5935-99-737-3391	CONNECTOR, FIXED, ELECTRICAL	
2080	PRC5483	7RU/6625-99-737-3394	SHUNT, INSTRUMENT	
2081	PRC5485	46MT4/6625-99-816-8510	AMMETER	
2082	PRC5491	7RU/2590-99-737-3392	LEAD, ELECTRICAL	
2083	PRC5582	7RU/2920-99-737-3322	LEAD ASSEMBLY, ELECTRICAL	
2084	PRC5590	7RU/2590-99-737-3389	WIRING HARNESS	
2085	PRC5592	7RU/5940-99-737-3395	TERMINAL, POST	
2086	PRC5681	7XDW/5340-99-547-5103	CLIP, SPRING TENSION	
2087	PRC5744	7RU/2540-99-300-7631	RESERVOIR, WINDSHIELD WASHER	
2088	PRC6021	7RU/6680-99-250-5439	SHAFT ASSEMBLY, FLEXIBLE	
2089	PRC6022	7RU/3040-99-083-1195	SHAFT ASSEMBLY, FLEXIBLE	
2090	PRC6239	7RU/5935-99-781-4817	COVER, ELECTRICAL CONNECTOR	
2091	PRC6387	6MT4/5930-99-775-7685	SWITCH, OIL PRESSURE	
2092	PRC7173	7XD/5940-99-301-8337	PLATE, KEEPER	
2093	PRC7314	7XD/6680-99-663-4993	INDICATOR, LIQUID QUANTITY	
2094	PRC7370	7RU/2590-99-127-4385	CONTROL, MULTIFUNCTION, AUTOMOTIVE	
2095	PRC7375	6MT1/6680-99-839-5407	SPEEDOMETER	
2096	PRC7386	7XD/5945-99-096-4405	RELAY, ELECTROMAGNETIC	
2097	PRC8171	7XD/7690-99-301-8366	MARKER, IDENTIFICATION	
2098	PRC8230	7XD/5930-99-911-7615	SWITCH, LOCK, IGNITION	
2099	PRC8241	7XD/6220-99-126-4157	LIGHT, DOME	
2100	PRC8495	7RU/2540-99-495-7006	WHEELBOX, WINDSCREEN WIPER	
2101	PRC8558	7RU/2540-99-300-3292	ARM, WINDSCREEN WIPER	

ITEM NO	Mfr Part Number	Catalogue Number	Item Name	Remarks
2102	PRC8559	6MT3/2540-99-731-9155	BLADE, WINDSCREEN WIPER	
2103	PRC8709	7RU/6680-99-449-9733	TRANSMITTER, LIQUID QUANTITY	
2104	PRC8877	7XD/5945-99-052-0322	FLASHER, THERMAL	
2105	PRC9671	6MT4/5945-99-794-1527	RELAY, ELECTROMAGNETIC	
2106	PRC9916	7XD/6220-99-517-3082	LENS, LIGHT	
2107	PS102081	7XD/5315-99-870-5420	PIN, COTTER, SPLIT	
2108	PS102081L	7XD/5315-99-870-5420	PIN, COTTER, SPLIT	
2109	PS103101L	7XD/5315-99-282-2094	PIN, COTTER, SPLIT	
2110	PS104161	G1/5315-99-138-2203	PIN, COTTER, SPLIT	
2111	PS106201	G1/5315-99-138-2208	PIN, COTTER, SPLIT	
2112	PS106251	7XD/5315-99-096-4548	PIN, COTTER, SPLIT	
2113	PS106321L	7RU/5315-99-663-5766	PIN, COTTER	
2114	PS603041L	7RU/5315-99-722-9333	PIN, COTTER, SPLIT	
2115	PYC101100	7XDW/5340-99-573-6437	CLIP	
2116	PYC101120L	7XD/4730-99-517-2160	CLAMP, HOSE	
2117	QEH102390	7XD/4720-99-811-0255	HOSE ASSEMBLY, NONMETALLIC	
2118	QEH102490	7XD/4720-99-251-9010	HOSE ASSEMBLY	
2119	QEU101060	7XD/2590-99-589-2095	BRACKET	
2120	QMB102060	7XDW/2530-99-573-6439	STEERING GEAR	
2121	QMI100000	7XDW/5340-99-573-6440	CLIP	
2122	QRD100010	7XDW/7690-99-573-6441	LABEL	
2123	QRD100020	7XD/9905-99-276-1569	PLATE, INSTRUCTION	
2124	QRF100880	7XD/5930-99-167-4751	SWITCH, LOCK, IGNITION	
2125	QRG100100	7XD/2590-99-907-6388	CLAMP	
2126	QRS100010	7XDW/2530-99-573-6442	BOOT, VEHICULAR COMPONENTS	
2127	QTB102860	7XDW/2530-99-573-6443	STEERING WHEEL	
2128	QZB100060	7XDW/8030-99-573-6444	SEALING COMPOUND	
2129	RA608123L	G1/5320-99-138-2857	RIVET, BLIND	
2130	RA610183	7XD/5320-99-609-8624	RIVET, BLIND	
2131	RA612157	7XD/5320-99-711-6294	RIVET, BLIND	
2132	RA612183	7RU/5320-99-250-8191	RIVET, BLIND	
2133	RA612237	7RU/5320-99-581-6699	RIVET, BLIND	
2134	RA612346	7XD/5320-99-676-3937	RIVET, BLIND	
2135	RBI100000	7XD/2510-99-896-0602	ROD, ALIGNING, VEHICULAR AXLE	
2136	RDB100070	7XD/5310-99-500-6054	WASHER, DISHED	
2137	RFD100000	7XD/5310-99-483-1907	NUT, HUB	
2138	RJ608353	7XD/5320-99-436-8373	RIVET, BLIND	
2139	RJ612183	7XD/5320-99-250-0822	RIVET, BLIND	
2140	RKB101060	7XD/5360-99-485-2857	SPRING, HELICAL, COMPRESSION	
2141	RNF100090	7XD/5340-99-998-9178	MOUNT, RESILIENT	
2142	RNF100090L	7XD/5340-99-998-9178	MOUNT, RESILIENT	
2143	RN608223	7XD/5320-99-796-6492	RIVET, BLIND	

I T E M N O	Mfr Part Number	Catalogue Number	Item Name	Remarks
2144	RRC1986	7XD/2540-99-442-4428	STRIP, ANTI FRICTION	
2145	RRC2128	7XD/5310-99-338-4215	NUT, PLAIN, PLATE	
2146	RRC2187	7XD/2540-99-936-3532	STRIP, ANTI FRICTION	
2147	RRC2258	7RU/5306-99-737-3399	BOLT, HOOK	
2148	RRC2298	7XD/7690-99-593-2738	MARKER, IDENTIFICATION	
2149	RRC2615	7RU/6160-99-499-9115	DOOR ASSEMBLY, BATTERY BOX	
2150	RRC2662	7RU/2590-99-904-4146	FRAME, RADIO TABLE	
2151	RRC2742	7RU/5340-99-737-3397	CATCH, BATTERY BOX	
2152	RRC3237	7RU/4030-99-780-8675	SHACKLE	
2153	RRC3582	7RU/2510-99-810-8295	PANEL, VEHICULAR OPERATION	
2154	RRC3588	7RU/5340-99-737-2991	STAPLE, STRAP	
2155	RRC3674	7XD/2510-99-075-7975	PLATE, ANGLE	
2156	RRC3690	7XD/5340-99-306-2426	BRACKET, ANGLE	
2157	RRC3691	7RU/2510-99-968-0590	STIFFENER	
2158	RRC3741	7RU/2590-99-244-6185	REINFORCEMENT	
2159	RRC3763	7RU/5340-99-562-3445	BRACKET, ANGLE	
2160	RRC3767	7RU/2540-99-198-8651	BRACKET, SUPPORT	
2161	RRC3925	7XD/2510-99-883-8766	TREADSTRIP	
2162	RRC3945	7RU/2510-99-075-6633	TREAD, METALLIC, NONSKID	
2163	RRC3966	7XD/2540-99-730-8462	STAPLE, HOOD STRAP	
2164	RRC3967	7RU/2510-99-009-0593	ASSEMBLY, ANTILUCE COTTER	
2165	RRC3979	7RU/5325-99-219-6078	RECEPTACLE, TURNLOCK FASTENER	
2166	RRC3980	7XD/5310-99-842-2517	PUSH ON NUT	
2167	RRC3983	7XD/5325-99-867-8144	STUD, TURNLOCK FASTENER	
2168	RRC4303	7XD/2540-99-987-8803	ADAPTOR	
2169	RRC4304	7XD/2540-99-405-7576	DUCT ASSEMBLY, AIR CONDITIONING-HEATING, VEHICULAR	
2170	RRC4305	7XD/2540-99-517-0764	DUCT ASSEMBLY, AIR CONDITIONING-HEATING, VEHICULAR	
2171	RRC4418	7XD/4720-99-301-8330	HOSE, PREFORMED	
2172	RRC4582	7XD/5320-99-113-3918	RIVET, BLIND	
2173	RRC4583	7XD/5320-99-760-0029	RIVET, BLIND	
2174	RRC4810	7RU/5355-99-974-3749	KNOB	
2175	RRC4878	7RU/2540-99-015-8435	CATCH, ASSEMBLY	
2176	RRC4879	7RU/2540-99-885-0581	CATCH ASSEMBLY	
2177	RRC4960	7RU/4720-99-192-4672	TUBING, NONMETALLIC	
2178	RRC4965	7RU/5325-99-096-3285	GROMMET, PLASTICS	
2179	RRC4966	7RU/9905-99-660-6531	PLATE, INSTRUCTION	
2180	RRC5034	7RU/2510-99-204-4740	CAPPING, DOOR, FRONT, TOP	
2181	RRC5035	7RU/2510-99-795-9046	CAPPING, DOOR, FRONT, TOP	

I T E M N O	Mfr Part Number	Catalogue Number	Item Name	Remarks
2182	RRC5074	7XD/5325-99-730-5039	GROMMET, NONMETALLIC	
2183	RRC5110	7XDW/5340-99-573-6445	CAP, PROTECTIVE, DUST AND MOISTURE SEAL	
2184	RRC5205	7XD/5365-99-723-1822	SPACER, PLATE	
2185	RRC5343	7XD/6150-99-810-5752	LEAD, ELECTRICAL	
2186	RRC5344	7XD/6150-99-709-4834	LEAD, ELECTRICAL	
2187	RRC5347	7XD/7690-99-726-0139	MARKER, IDENTIFICATION	
2188	RRC5348	7RU/2590-99-027-0822	CABLE ASSEMBLY	
2189	RRC5409	7RU/2540-99-864-6393	BUMPER, VEHICULAR	
2190	RRC5410	7RU/2540-99-617-9794	BUMPER, VEHICULAR	
2191	RRC5506	7RU/2510-99-319-8655	PANEL, VEHICULAR OPERATION	
2192	RRC5507	7RU/2510-99-810-8294	PANEL, VEHICULAR OPERATION	
2193	RRC5513LOY	7XD/2540-99-821-2360	SEAT, VEHICULAR	
2194	RRC5514LOY	7XD/2540-99-151-2919	CUSHION, SEAT BACK, VEHICULAR	
2195	RRC5515LOY	7XD/2540-99-396-1264	CUSHION, SEAT, VEHICULAR	
2196	RRC5668	7XDW/4720-99-573-6549	ADAPTOR	
2197	RRC5813	46MT1/2540-99-740-7338	BARREL CLIP ASSEMBLY	
2198	RRC5814	46MT1/2540-99-724-5832	BUTT CLIP	
2199	RRC6195	7RU/2540-99-976-1196	BUMPER, VEHICULAR	
2200	RRC6681	7RU/2540-99-902-2156	PIN, PINTLE	
2201	RRC6682	7RU/5360-99-907-1301	SPRING, TOW PIN	
2202	RRC6683	7XD/5340-99-024-7015	BRACKET, MOUNTING	
2203	RRC6818	7XDW/2510-99-971-5443	PANEL, BODY, VEHICULAR	
2204	RRC6999	7XD/2510-99-732-4041	PANEL, BODY, VEHICULAR	
2205	RRC7000	7XD/2510-99-108-5066	PANEL, BODY, VEHICULAR	
2206	RRC7010	7XDW/2540-99-174-5496	MAT, FLOOR	
2207	RRC7011	7XDW/2540-99-141-5330	MAT, FLOOR	
2208	RRC7047	7RU/2540-99-987-5137	COVER, RADIATOR	
2209	RRC7152	7RU/2540-99-179-9514	BRACKET, SUPPORT	
2210	RRC7177	7RU/2540-99-820-9946	RADIATOR, VEHICULAR COMPARTMENT HEATER	
2211	RRC7178	7RU/2540-99-125-9691	RADIATOR, VEHICULAR COMPARTMENT HEATER	
2212	RRC7179	7RU/2540-99-020-7270	RADIATOR, VEHICULAR COMPARTMENT HEATER	
2213	RRC7180	7RU/5340-99-795-1273	BRACKET, MOUNTING	
2214	RRC7181	7RU/5340-99-759-5527	MOUNT, RESILIENT	
2215	RRC7182	7RU/5340-99-234-3822	MOUNT, RESILIENT	
2216	RRC7183	7RU/2990-99-851-0185	END COVER, RADIATOR	
2217	RRC7184	7RU/2990-99-111-1393	END COVER, RADIATOR	
2218	RRC7310	7RU/2510-99-533-9373	WINDSCREEN, VEHICULAR	
2219	RRC7316	7RU/2540-99-425-4803	ADAPTOR, DUCT	
2220	RRC7318	7XDW/4720-99-172-8100	HOSE, AIR DUCT	
2221	RRC7319	7RU/4720-99-862-8830	HOSE, AIR DUCT	

I T E M N O	Mfr Part Number	Catalogue Number	Item Name	Remarks
2222	RRC7320	7XDW/2540-99-140-2364	INSULATION, THERMAL, VEHICULAR	
2223	RRC7323	7RU/5340-99-973-6956	END TRIM, INSTRUMENT PANEL	
2224	RRC7327	7XDW/2540-99-641-7795	HANDLE	
2225	RRC7340	7XD/2540-99-497-8855	TRAY, PARCEL	
2226	RRC7372	7RU/4820-99-500-2119	BALL TAP	
2227	RRC7419PMA	7XDW/2540-99-641-7802	INSULATION, THERMAL, VEHICULAR	
2228	RRC7420PMA	7XDW/2540-99-520-0429	INSULATION, THERMAL, VEHICULAR	
2229	RRC7465	7XDW/4710-99-573-6557	PIPE, METALLIC	
2230	RRC7575	7RU/5330-99-721-5609	SEAL, SPECIAL SHAPED SECTION	
2231	RRC7577	7XD/5330-99-052-0292	GASKET	
2232	RRC7578	7XD/5330-99-581-0562	GASKET	
2233	RRC7606	7XD/2510-99-973-3616	FRAME SECTION, STRUCTURAL, VEHICULAR	
2234	RRC7870	7XD/5305-99-258-0156	SCREW, EXTERNALLY RELIEVED BODY	
2235	RRC7896LOY	7XD/2540-99-641-7819	COVER, SEAT, VEHICULAR	
2236	RRC7897LOY	7XD/2540-99-129-8536	COVER, SEAT, VEHICULAR	
2237	RRC7898	7XD/2540-99-500-0054	COVER, SEAT, VEHICULAR	
2238	RRC7899	7XD/2540-99-993-8466	COVER, SEAT, VEHICULAR	
2239	RRC7932	7XD/8345-99-535-6808	BRACKET, FLAGSTAFF	
2240	RRC7945	7XD/5340-99-769-7800	STRAP, WEBBING	
2241	RRC8002	7XD/5340-99-360-4611	CLEAT, ROPE	
2242	RRC8055	7XD/5340-99-500-5166	CLIP, SPRING TENSION	
2243	RRC8056PMA	7XD/2510-99-810-4732	PANEL, INTERIOR, VEHICULAR DOOR	
2244	RRC8057PMA	7XD/2510-99-227-8659	PANEL, INTERIOR, VEHICULAR DOOR	
2245	RRC8142	7XD/2540-99-125-4612	PLATE, REINFORCING	
2246	RRC8167	6MT1/4210-99-839-9904	BRACKET, FIRE EXTINGUISHER	
2247	RRC8187	7XD/2590-99-219-7960	BRACKET, VEHICULAR COMPONENTS	
2248	RRC8188	7XD/5305-99-234-4403	SCREW, MACHINE	
2249	RRC8220	7XD/7240-99-500-5022	CRADLE, MILITARY CAN	
2250	RRC8225	7XD/2540-99-769-8834	RACK, RADIO	
2251	RRC8226	7XD/2540-99-371-0325	RACK, RADIO	
2252	RRC8234	7XD/5340-99-501-1625	BRACKET, MOUNTING	
2253	RRC8235	7XD/5340-99-225-6162	BRACKET, MOUNTING	
2254	RRC8241LCS	7XD/2590-99-670-6406	PAD, CUSHIONING	
2255	RRC8242LCS	7XD/2590-99-147-2944	PAD, CUSHIONING	
2256	RRC8266	7RU/4730-99-957-1765	TEE, HOSE	
2257	RRC8285	7XDW/2510-99-195-3388	PANEL, VEHICULAR OPERATION	
2258	RRC8287	7XD/6220-99-894-1196	HEADLIGHT	
2259	RRC8288	7XD/6220-99-421-2269	HEADLIGHT	

I T E M N O	Mfr Part Number	Catalogue Number	Item Name	Remarks
2260	RRC8333	7XD/2540-99-446-0194	PLATE, REINFORCING	
2261	RRC8341	7XD/6160-99-258-0151	TRAY, BATTERY	
2262	RRC8342	7XD/6160-99-577-6234	RETAINER, BATTERY	
2263	RRC8343	7XD/5305-99-709-0767	SETSCREW	
2264	RRC8353	7XD/5340-99-851-1965	CATCH, MALE	
2265	RRC8359	7XD/5340-99-950-9243	BRACKET, MOUNTING	
2266	RRC8360	7XD/5340-99-735-0879	BRACKET, MOUNTING	
2267	RRC8361PMA	7XD/2540-99-535-6827	BIN, STOWAGE	
2268	RRC8362PMA	7XD/2540-99-663-4936	BIN, STOWAGE	
2269	RRC8363	7XD/5340-99-853-4793	BRACKET, MOUNTING	
2270	RRC8364	7XD/5340-99-223-6420	BRACKET, MOUNTING	
2271	RRC8365	7XD/2540-99-317-6517	BRACKET, RETAINING	
2272	RRC8371	7XD/6220-99-932-7186	GUARD, LAMP	
2273	RRC8376	7XD/5340-99-623-9064	BRACKET, MOUNTING	
2274	RRC8378	7XD/2540-99-870-0209	MAT, FLOOR	
2275	RRC8379	7XD/7240-99-810-4781	LABEL, WATER STOWAGE	
2276	RRC8380	7XD/7240-99-305-3592	LABEL, FUEL STOWAGE	
2277	RRC8381	7XD/5340-99-234-4399	FASTENER, CYLINDER, SPRING LOADED	
2278	RRC8385	7XD/5340-99-663-4946	PAD, CUSHIONING	
2279	RRC8386	7XD/2590-99-342-1041	DRAIN CHANNEL	
2280	RRC8387	7XD/2590-99-988-4165	DRAIN CHANNEL	
2281	RRC8388	7XD/2510-99-399-8070	FRAME SECTION, STRUCTURAL, VEHICULAR	
2282	RRC8389	7XD/2510-99-215-6350	FRAME SECTION, STRUCTURAL, VEHICULAR	
2283	RRC8392	7XD/5340-99-083-7025	STRAP, WEBBING	
2284	RRC8398	7XD/5930-99-549-1707	SWITCH, TOGGLE	
2285	RRC8400	7XD/2540-99-316-3762	MIRROR HEAD, VEHICULAR	
2286	RRC8403	7XD/6140-99-535-6858	LEAD, STORAGE BATTERY	
2287	RRC8404	7XD/2510-99-427-7895	PANEL, BODY, VEHICULAR	
2288	RRC8410	7XD/5340-99-215-6357	BRACKET, MOUNTING	
2289	RRC8413	7XD/5340-99-663-4897	BRACKET, MOUNTING	
2290	RRC8421	7XD/5306-99-702-1798	BOLT, U	
2291	RRC8422	7XD/2590-99-932-7190	LABEL	
2292	RRC8429	7XD/2510-99-052-0799	PLATE, BOLT	
2293	RRC8443	7XD/2540-99-257-9961	ARM, REARVIEW MIRROR	
2294	RRC8459	7XD/2590-99-500-9639	COVER	
2295	RRC8463	7XD/5340-99-973-6936	STRAP, WEBBING	
2296	RRC8481	7XD/5315-99-363-9935	PIN, STRAIGHT, HEADED	
2297	RRC8510	7XD/5340-99-301-7192	STRAP, WEBBING	
2298	RRC8512	7XD/5340-99-517-3062	STRIKE, CATCH	
2299	RRC8516	7XD/2510-99-126-3324	TUBE ASSEMBLY, HOOD SUPPORT	
2300	RRC8522	7XD/5340-99-771-3872	DOOR, ACCESS	
2301	RRC8524	7XD/5330-99-435-6695	SEAL, NONMETALLIC SPECIAL SHAPED SECTION	

I T E M N O	Mfr Part Number	Catalogue Number	Item Name	Remarks
2302	RRC8525	7XD/5330-99-663-5062	SEAL, NONMETALLIC SPECIAL SHAPED SECTION	
2303	RRC8526	7XD/6220-99-301-7200	TAILLIGHT, VEHICULAR	
2304	RRC8527	7XD/6220-99-083-3752	DIRECTIONAL LIGHT, VEHICULAR	
2305	RRC8528	7XD/6220-99-605-8263	STOP LIGHT, VEHICULAR	
2306	RRC8529	7XD/7690-99-335-4888	LABEL	
2307	RRC8530	7XD/7690-99-052-4942	LABEL	
2308	RRC8531	7XD/2590-99-905-5048	PLATE, REINFORCEMENT	
2309	RRC8543	7XD/5340-99-008-1086	STRAP, WEBBING	
2310	RRC8544	7XD/5340-99-258-0182	STRAP, WEBBING	
2311	RRC8560	7XD/2920-15-144-9793	ALTERNATOR, SUPPRESS	
2312	RRC8567	7XD/2540-99-951-0215	MOTOR, WINDSHIELD WIPER, ELECTRIC	
2313	RRC8572LOY	7XD/2540-99-591-3266	SEAT, VEHICULAR	
2314	RRC8573	7XD/2540-99-453-6529	BOX, ACCESSORIES STOWAGE	
2315	RRC8574	7XD/2540-99-301-7122	BOX, ACCESSORIES STOWAGE	
2316	RRC8576	7XD/5340-99-060-4166	BRACKET, ANGLE	
2317	RRC8581	7XD/5340-99-244-8008	STRAP, WEBBING	
2318	RRC8583	7XD/5340-99-562-4305	STRAP, WEBBING	
2319	RRC8585	7XD/2590-99-702-1679	BRACKET, SMALL ARMS, VEHICULAR	
2320	RRC8586	7XD/2590-99-859-1826	BRACKET, SMALL ARMS, VEHICULAR	
2321	RRC8597	7XD/2950-99-809-0449	HEADER RAIL	
2322	RRC8599	7XDW/2510-99-690-6663	PANEL, VEHICULAR OPERATION	
2323	RRC8600	7XD/5945-99-867-8147	RELAY, ELECTROMAGNETIC	
2324	RRC8602	7XD/2590-99-306-3053	BRACKET, VEHICULAR COMPONENTS	
2325	RRC8610	7XD/5320-99-135-4157	RIVET, BLIND	
2326	RRC8611	7XD/5320-99-507-2202	RIVET, BLIND	
2327	RRC8618	7XD/6150-99-987-8770	CABLE ASSEMBLY, SPECIAL PURPOSE, ELECTRICAL	
2328	RRC8621	7XD/2590-99-052-0304	BRACKET, VEHICULAR COMPONENTS	
2329	RRC8622	7XD/5340-99-996-0522	BRACKET, DOUBLE ANGLE	
2330	RRC8624	7XD/6150-99-075-8003	WIRING HARNESS, BRANCHED	
2331	RRC8629	7XD/6150-99-382-6846	WIRING HARNESS, BRANCHED	
2332	RRC8630	7XD/6150-99-663-5007	WIRING HARNESS, BRANCHED	
2333	RRC8631	7XD/6150-99-911-7630	WIRING HARNESS, BRANCHED	

I T E M N O	Mfr Part Number	Catalogue Number	Item Name	Remarks
2334	RRC8632	7XD/6150-99-549-1706	WIRING HARNESS, BRANCHED	
2335	RRC8637	7XD/2540-99-215-6445	HEATER, VEHICULAR, COMPARTMENT	
2336	RRC8638	7XD/2540-99-562-4303	HEATER, VEHICULAR, COMPARTMENT	
2337	RRC8642	7XD/2920-99-500-4584	GENERATOR, ENGINE ACCESSORY	
2338	RRC8643	7XD/2920-99-215-6423	CONTROL MODULE, TWIN ALTERNATOR	
2339	RRC8645	7XD/6150-99-968-1982	WIRING HARNESS, BRANCHED	
2340	RRC8652	7XD/5340-99-883-5938	PAD, CUSHIONING	
2341	RRC8657	7XD/2540-99-875-8021	PLATE, REINFORCING	
2342	RRC8658	7XD/5340-99-301-7294	BRACKET, ANGLE	
2343	RRC8662	7XD/5340-99-745-4602	BRACKET, MOUNTING	
2344	RRC8664	7RU/2510-99-812-4775	PANEL, BODY, VEHICULAR	
2345	RRC8665	7XD/2540-99-573-7714	PANEL, BODY, VEHICULAR	
2346	RRC8666	7XD/5310-01-451-1950	NUT, PLAIN, BLIND RIVET	
2347	RRC8678	7XD/6220-99-725-2159	HEADLIGHT	
2348	RRC8679	7XD/6220-99-663-6015	HEADLIGHT	
2349	RRC8681	7XD/6150-99-591-3294	LEAD, ELECTRICAL	
2350	RRC8682	7XD/6150-99-349-6839	LEAD, ELECTRICAL	
2351	RRC8686	7XD/6160-99-075-7968	RETAINER, BATTERY	
2352	RRC8687	7XD/6160-99-361-7589	RETAINER, BATTERY	
2353	RRC8689	7XD/6160-99-809-0422	TRAY, BATTERY	
2354	RRC8692	7XD/6150-99-126-3307	LEAD ASSEMBLY, ELECTRICAL	
2355	RRC8693	7XD/6220-99-517-3083	LIGHT, UTILITY, VEHICULAR	
2356	RRC8695	7XD/5340-99-679-7651	PANEL, BLANK	
2357	RRC8696	7RU/2590-99-110-3380	TABLE ASSEMBLY, RADIO	
2358	RRC8700	7XDW/2510-99-807-0200	WINDOW, VEHICULAR	
2359	RRC8702	7XD/6150-99-870-5945	WIRING HARNESS, BRANCHED	
2360	RRC8703	7XD/2540-99-386-6470	GUARD, WIRING HARNESS	
2361	RRC8705	7XD/9905-99-309-2421	REFLECTOR, INDICATING, CLEARANCE	
2362	RRC8706	7XD/2590-99-549-7618	LABEL	
2363	RRC8707	7XD/5340-99-500-5086	PLATE, MENDING	
2364	RRC8709	7XD/2540-99-215-6303	COVER, FITTED, VEHICULAR BODY	
2365	RRC8710	7XD/2540-99-011-2871	COVER, FITTED, VEHICULAR BODY	
2366	RRC8724	7XD/6150-99-888-9188	WIRING HARNESS, BRANCHED	
2367	RRC8725	7XD/2540-99-883-5969	MIRROR HEAD, VEHICULAR	
2368	RRC8726	7XD/2540-99-219-7989	ARM, REARVIEW MIRROR	

I T E M N O	Mfr Part Number	Catalogue Number	Item Name	Remarks
2369	RRC8728	7XD/6150-99-894-8679	WIRING HARNESS, BRANCHED	
2370	RRC8730	7XD/6150-99-362-7217	WIRING HARNESS, BRANCHED	
2371	RRC8736	7XD/6150-99-096-4386	WIRING HARNESS	
2372	RRC8740	7XD/5340-99-320-1104	BRACKET, MOUNTING	
2373	RRC8742	7XD/5305-99-152-5218	THUMBSCREW	
2374	RRC8745	7XD/5340-99-983-9769	STRAP, WEBBING	
2375	RRC8760	7XD/5306-99-720-4904	BOLT, MACHINE	
2376	RRC8761	7XD/2920-99-215-7426	GENERATOR, ENGINE ACCESSORY	
2377	RRC8763	7XD/5340-99-832-3426	STRAP, WEBBING	
2378	RRC8772	7XD/5340-99-391-0891	CLAMP, LOOP	
2379	RRC8775	7XD/5963-99-005-0694	CONVERTER ASSEMBLY	
2380	RRC8781	7XDW/5340-99-573-6447	COVER, ACCESS	
2381	RRC8788	7XD/6150-99-932-7235	WIRING HARNESS, BRANCHED	
2382	RRC8789	7XD/6150-99-611-3375	WIRING HARNESS, BRANCHED	
2383	RRC8796	7XD/4020-99-581-5656	ROPE, FIBROUS	
2384	RRC8799	7XDW/5330-99-573-6448	GASKET	
2385	RRC8800	7XD/6350-99-702-4057	HORN, SIGNAL	
2386	RRC8801	7XD/6140-99-021-5903	LEAD, STORAGE BATTERY	
2387	RRC8802	7XD/6140-99-709-4870	LEAD, STORAGE BATTERY	
2388	RRC8803	7XD/5310-99-663-6051	NUT, PLAIN, HEXAGON	
2389	RRC8804	7XD/5306-99-258-0500	BOLT, MACHINE	
2390	RRC8806	7XD/6150-99-234-4557	LEAD, ELECTRICAL	
2391	RRC8808	7XD/4720-99-852-5619	HOSE, AIR DUCT	
2392	RRC8809	7XD/5340-99-391-0890	BRACKET, MOUNTING	
2393	RRC8810	7XD/6150-99-739-6068	WIRING HARNESS, BRANCHED	
2394	RRC8813	7XD/7690-99-309-2446	LABEL	
2395	RRC8817	7XD/6220-99-301-7200	TAILLIGHT, VEHICULAR	
2396	RRC8818	7XD/6220-99-083-3752	DIRECTIONAL LIGHT, VEHICULAR	
2397	RRC8819	7XD/6220-99-605-8263	STOP LIGHT, VEHICULAR	
2398	RRC8820	7XD/6150-99-932-7236	WIRING HARNESS, BRANCHED	
2399	RR612063	7XD/5320-99-600-3983	RIVET, SOLID	
2400	RTC1526	7ML/2530-99-830-2733	BLEEDER VALVE, HYDRAULIC SYSTEM	
2401	RTC222	7XD/5340-99-820-5371	CABLE TIE	
2402	RTC2726	6MT7/3110-99-203-7861	BEARING, TAPERED, ROLLER	
2403	RTC2825	7RU/2805-99-758-4313	WASHER, THRUST	
2404	RTC2993	7RU/3120-99-734-9121	BEARING HALF SET, SLEEVE	
2405	RTC299310	7RU/3120-99-477-4647	BEARING HALF SET, SLEEVE	
2406	RTC3022	7RU/2540-99-793-4088	BARREL LOCK	

ITEM NO	Mfr Part Number	Catalogue Number	Item Name	Remarks
2407	RTC3397	7RU/2520-99-774-2325	PIN, DIFFERENTIAL PINION	
2408	RTC3429	6MT7/3110-99-805-3264	BEARING, TAPERED, ROLLER	
2409	RTC3458	6MT10/2520-99-795-7451	PARTS KIT, UNIVERSAL JOINT	
2410	RTC3650	6MT6/4710-99-805-7843	TUBING, PLASTICS	
2411	RTC3744	G1/5310-99-137-6550	SHIELD, EXPANSION	
2412	RTC3745	G1/5310-99-137-6356	SHIELD, EXPANSION	
2413	RTC3748	G1/5310-99-138-7228	SHIELD, EXPANSION	
2414	RTC3878	6MT3/6250-99-797-3848	LAMPHOLDER	
2415	RTC3959	6MT1/5325-99-761-5391	GROMMET, RUBBER	
2416	RTC4198	6MT9/2530-99-729-2349	PARTS KIT, BALL JOINT	
2417	RTC4393	6MT9/5305-99-722-1727	SCREW, SELF LOCKING	
2418	RTC4394	6MT9/5310-99-722-1728	NUT, SEALING-LOCKING	
2419	RTC4395	6MT9/2530-99-722-1729	BLEEDER VALVE, HYDRAULIC SYSTEM	
2420	RTC4400	6MT9/2530-99-722-1730	PIPE, STEEL	
2421	RTC4401	6MT9/2530-99-722-1731	PIPE, STEEL	
2422	RTC4481	6MT4/5920-99-766-9038	FUSE, INCLOSED LINK	
2423	RTC4490	7RU/3020-99-724-5848	GEAR SET, BEVEL, MATCHED	
2424	RTC4497	6MT4/5920-01-123-5212	FUSE, INCLOSED LINK	
2425	RTC4498	6MT4/5920-99-700-9773	FUSE LINK, ENCLOSED ELEMENT	
2426	RTC4501	7FD/5920-99-766-0616	FUSE LINK, INDICATOR ALARM	
2427	RTC4503	7FD/5920-99-759-4951	FUSE LINK, INDICATOR ALARM	
2428	RTC4587	7XD/2520-99-810-4532	PARTS KIT, UNIVERSAL JOINT	
2429	RTC4682	7RU/2540-99-781-4207	RACK	
2430	RTC4685	7RU/2540-99-700-3230	MUDFLAP	
2431	RTC4738	7RU/2530-99-721-3511	SHAFT ASSEMBLY, STEERING COLUMN	
2432	RTC4740	7RU/2910-99-729-8390	CAP, FILLER OPENING	
2433	RTC4771	6MT3/6220-99-803-2620	LIGHT, UTILITY, VEHICULAR	
2434	RTC4783	7RU/3120-99-660-3954	BEARING KIT-MAIN	
2435	RTC478310	7RU/3120-99-376-2622	BEARING HALF SET, SLEEVE	
2436	RTC4825	6MT1/5330-99-713-6165	RING, SEALING, TOROIDAL	
2437	RTC4826	6MT1/5330-99-713-6164	RING, SEALING, TOROIDAL	
2438	RTC5298	7RU/5920-99-803-8476	FUSE BOX	
2439	RTC5597	7RU/4010-99-738-3174	PIN-CHAIN	
2440	RTC5841	7XD/5365-99-147-2829	SPACER, SLEEVE	
2441	RTC5869	7RU/2530-99-738-0279	ROD END, STEERING	
2442	RTC5870	7RU/2530-99-839-5440	ROD END, STEERING	
2443	RTC5938	7XD/2910-12-195-4782	FILTER ELEMENT, FLUID	
2444	RTC5978	7RU/2540-99-721-4411	TRUNNION	
2445	RTC608	G1/5310-99-941-7070	NUT, PLAIN, HEXAGON	

I T E M N O	Mfr Part Number	Catalogue Number	Item Name	Remarks
2446	RTC610	G1/5310-99-941-8623	WASHER, FLAT	
2447	RTC613	G1/5310-99-956-1786	WASHER, FLAT	
2448	RTC615	7RU/5310-99-844-9660	WASHER, FLAT	
2449	RTC6159	7RU/2540-99-140-0911	CLAMP ASSEMBLY	
2450	RTC6205	7RU/2590-99-978-2276	SILL, PANEL	
2451	RTC6206	7RU/2590-99-781-2253	SILL PANEL, FRONT, LEFT	
2452	RTC6564	7XD/2815-99-702-1280	TAPPET, ENGINE POPPET VALVE	
2453	RTC6751	6MT7/3110-99-792-0685	BEARING, TAPERED, ROLLER	
2454	RTC6826	7RU/2510-99-766-5156	PANEL, DIAPHRAGM	
2455	RU608123L	7XD/5320-99-004-0323	RIVET, BLIND	
2456	RU608183L	G1/5320-99-376-2529	RIVET, BLIND	
2457	RU608253L	7XD/5320-99-126-6734	RIVET, BLIND	
2458	RU608313L	G1/5320-99-631-0777	RIVET, BLIND	
2459	RU612123	7XD/5320-99-578-7864	RIVET, BLIND	
2460	RU612183	7XD/5320-99-300-0709	RIVET, BLIND	
2461	RU612373L	G1/5320-99-120-9002	RIVET, BLIND	
2462	RU613253L	7XDW/5320-99-924-8074	RIVET, BLIND	
2463	RU613373L	7XDW/5320-99-156-2364	RIVET, BLIND	
2464	SA108201L	G1/5305-99-135-0269	SCREW, MACHINE	
2465	SE103121	G1/5305-99-122-5273	SCREW, MACHINE	
2466	SE103161L	7XDW/5305-99-690-6665	SCREW, MACHINE	
2467	SE104124L	7XD/5305-99-760-8116	SCREW, MACHINE	
2468	SE104161L	G1/5305-99-135-0424	SCREW, MACHINE	
2469	SE104201L	7XDW/5305-99-657-8317	SCREW, MACHINE	
2470	SE105121L	7RU/5305-99-350-5964	SCREW, MACHINE	
2471	SE105161	G1/5305-99-083-0779	SCREW, MACHINE	
2472	SE105161L	G1/5305-99-083-0779	SCREW, MACHINE	
2473	SE105164L	7XD/5305-99-206-2392	SCREW, MACHINE	
2474	SE105165L	7XDW/5305-99-864-4835	SCREW, MACHINE	
2475	SE105201	G1/5305-99-135-0431	SCREW, MACHINE	
2476	SE105201L	7XD/5305-99-192-1465	SCREW, MACHINE	
2477	SE105204	7FW/5305-99-840-2817	SCREW, MACHINE	
2478	SE105251	G1/5305-99-135-0432	SCREW, MACHINE	
2479	SE105301	G1/5305-99-135-0433	SCREW, MACHINE	
2480	SE105301L	G1/5305-99-135-0433	SCREW, MACHINE	
2481	SE105351L	7XD/5305-99-641-7463	SCREW, MACHINE	
2482	SE105401	G1/5305-99-135-0435	SCREW, MACHINE	
2483	SE106161	G1/5305-99-122-6643	SCREW, MACHINE	
2484	SE106161L	G1/5305-99-122-6643	SCREW, MACHINE	
2485	SE106201	7RU/5305-99-796-7536	SCREW, MACHINE	
2486	SE106201L	7RU/5305-99-796-7536	SCREW, MACHINE	
2487	SE106251	G1/5305-99-135-0442	SCREW, MACHINE	
2488	SE106251L	G1/5305-99-135-0442	SCREW, MACHINE	
2489	SE108201	7XD/5305-99-300-0789	SCREW, MACHINE	
2490	SE108201L	7XD/5305-99-300-0789	SCREW, MACHINE	
2491	SE108251	X2/5305-99-135-0452	SCREW, MACHINE	

I T E M N O	Mfr Part Number	Catalogue Number	Item Name	Remarks
2492	SE108404L	7RU/5305-99-192-4958	SCREW	
2493	SE108501	G1/5305-99-135-0457	SCREW, MACHINE	
2494	SE110401	7XD/5305-99-135-0464	SCREW, MACHINE	
2495	SE604071L	7XD/5305-99-611-1311	SCREW	
2496	SE808244	G1/5305-99-121-6815	SCREW, MACHINE	
2497	SF104164	G1/5305-99-122-5279	SCREW, MACHINE	
2498	SF106201L	G1/5305-99-842-2051	SCREW, MACHINE	
2499	SG103084	G1/5305-99-122-5271	SCREW, MACHINE	
2500	SG104165	7XDW/5305-99-552-9495	SCREW, MACHINE	
2501	SH104081	7XD/5305-99-732-5325	SCREW, MACHINE	
2502	SH104101L	G1/5305-99-138-4827	SCREW, MACHINE	
2503	SH105101	G1/5305-99-122-5355	SCREW, CAP, HEXAGON HEAD	
2504	SH105121	G1/5305-99-122-8664	SCREW, CAP, HEXAGON HEAD	
2505	SH105121L	G1/5305-99-122-8664	SCREW, CAP, HEXAGON HEAD	
2506	SH105161L	G1/5305-99-122-5356	SCREW, CAP, HEXAGON HEAD	
2507	SH105201L	7XD/5305-99-581-6373	SCREW, CAP, HEXAGON HEAD	
2508	SH105251L	7XD/5305-99-738-0059	SCREW, CAP, HEXAGON HEAD	
2509	SH105551	7XD/5305-99-087-1557	SCREW, CAP, HEXAGON HEAD	
2510	SH106121L	G1/5305-99-122-5359	SCREW, CAP, HEXAGON HEAD	
2511	SH106161	G1/5305-99-122-5360	SCREW, CAP, HEXAGON HEAD	
2512	SH106161L	G1/5305-99-122-5360	SCREW, CAP, HEXAGON HEAD	
2513	SH106165	7XD/5305-99-858-0971	SCREW, CAP, HEXAGON HEAD	
2514	SH106201	G1/5305-99-122-5361	SCREW, CAP, HEXAGON HEAD	
2515	SH106201L	G1/5305-99-122-5361	SCREW, CAP, HEXAGON HEAD	
2516	SH106204	7RU/5305-99-930-4760	SCREW, CAP, HEXAGON HEAD	
2517	SH106205L	7XD/5305-99-483-1908	SCREW, CAP, HEXAGON HEAD	
2518	SH106207L	7XD/5305-99-501-1146	SCREW, CAP, HEXAGON HEAD	
2519	SH106251	G1/5305-99-122-5362	SCREW, CAP, HEXAGON HEAD	
2520	SH106251L	G1/5305-99-122-5362	SCREW, CAP, HEXAGON HEAD	
2521	SH106301	G1/5305-99-122-5363	SCREW, CAP, HEXAGON HEAD	
2522	SH106301L	G1/5305-99-122-5363	SCREW, CAP, HEXAGON HEAD	

I T E M N O	Mfr Part Number	Catalogue Number	Item Name	Remarks
2523	SH106351	G1/5305-99-122-8666	SCREW, CAP, HEXAGON HEAD	
2524	SH106401	7XD/5305-99-623-6958	SCREW, CAP, HEXAGON HEAD	
2525	SH106451	G1/5305-99-204-5084	SCREW, CAP, HEXAGON HEAD	
2526	SH108121L	G1/5305-99-122-5364	SCREW, CAP, HEXAGON HEAD	
2527	SH108141L	G1/5305-99-977-1990	SCREW, CAP, HEXAGON HEAD	
2528	SH108161L	G1/5305-99-122-5365	SCREW, CAP, HEXAGON HEAD	
2529	SH108167L	7XD/5305-99-695-2746	SCREW, CAP, HEXAGON HEAD	
2530	SH108201	G1/5305-99-122-5366	SCREW, CAP, HEXAGON HEAD	
2531	SH108201L	G1/5305-99-122-5366	SCREW, CAP, HEXAGON HEAD	
2532	SH108205	7XD/5305-99-994-8386	SCREW, CAP, HEXAGON HEAD	
2533	SH108251	G1/5305-99-122-5367	SCREW, CAP, HEXAGON HEAD	
2534	SH108251L	G1/5305-99-122-5367	SCREW, CAP, HEXAGON HEAD	
2535	SH108301L	G1/5305-99-122-5368	SCREW, CAP, HEXAGON HEAD	
2536	SH108401L	7RU/5305-99-250-8192	SCREW, CAP, HEXAGON HEAD	
2537	SH108501L	G1/5305-99-136-3260	SCREW, CAP, HEXAGON HEAD	
2538	SH110161L	G1/5306-99-122-5370	BOLT, MACHINE	
2539	SH110201	G1/5306-99-122-4909	BOLT, MACHINE	
2540	SH110201L	G1/5306-99-122-4909	BOLT, MACHINE	
2541	SH110251L	G1/5306-99-122-4910	BOLT, MACHINE	
2542	SH110351L	G1/5306-99-122-8669	BOLT, MACHINE	
2543	SH112201	G1/5306-99-122-8674	BOLT, MACHINE	
2544	SH112251L	G1/5306-99-122-4912	BOLT, MACHINE	
2545	SH112505	7XD/5305-99-319-8611	SCREW, CAP, HEXAGON HEAD	
2546	SH214141	7XD/5306-99-535-6660	BOLT, MACHINE	
2547	SH406061L	G1/5306-99-121-0166	BOLT, MACHINE	
2548	SH604081L	G1/5305-99-941-0280	SCREW, CAP, HEXAGON HEAD	
2549	SJ106160	7XD/5305-99-742-0123	SCREW, CAP, SOCKET HEAD	
2550	SJ108308	7XDW/5305-99-370-9048	SCREW, CAP, SOCKET HEAD	
2551	SKB103910	7XDW/5340-99-573-6449	BRACKET, MOUNTING	
2552	SKU101310	7XDW/5340-99-573-6450	BRACKET, MOUNTING	
2553	SL105087	7XD/5305-99-415-3012	SCREW, TAPPING, THREAD FORMING	

I T E M N O	Mfr Part Number	Catalogue Number	Item Name	Remarks
2554	SL510031	7XD/5430-99-573-7556	SCREW, TAPPING, THREAD FORMING	
2555	SMD100260	7XD/2530-99-765-6067	DEFLECTOR, DIRT AND LIQUID	
2556	SMD100270	7XD/2530-99-259-6103	DEFLECTOR, DIRT AND LIQUID	
2557	SP103101	G1/5305-99-122-5272	SCREW, MACHINE	
2558	SP104121	G1/5305-99-135-0423	SCREW, MACHINE	
2559	SP105101L	7XD/5305-99-493-5012	SCREW, MACHINE	
2560	SP105121	G1/5305-99-135-0429	SCREW, MACHINE	
2561	SP105301L	7XD/5305-99-170-5054	SCREW, MACHINE	
2562	SP105351L	7XD/5305-99-547-5209	SCREW, MACHINE	
2563	SS108201	7XD/5305-99-663-6055	SCREW, CAP, SOCKET HEAD	
2564	SS108251	7XD/5305-99-362-7239	SCREW, CAP, SOCKET HEAD	
2565	SS108404	G1/5305-99-122-3389	SCREW, SOCKET HEAD	
2566	SS110201E	7XD/5305-99-612-1703	SCREW, CAP, SOCKET HEAD	
2567	STC1040	7XD/2530-99-301-6704	PARTS KIT, STEERING GEAR	
2568	STC1044	6MT9/2530-99-011-2485	DROP ARM, STEERING	
2569	STC1045	6MT9/2530-99-234-3203	DROP ARM, STEERING	
2570	STC1086	7XD/2930-99-940-5457	PUMP, COOLING SYSTEM, ENGINE	
2571	STC1120	7XD/2540-99-414-6537	VALVE, DUMP	
2572	STC1180	7XD/2540-99-663-4945	FITTING KIT, SEAT BELT	
2573	STC1264	7RU/2530-99-740-6253	CALIPER, DISC BRAKE	
2574	STC1265	7RU/2530-99-660-7431	CALIPER, DISC BRAKE	
2575	STC1266	7RU/2530-99-168-8521	CALIPER, DISC BRAKE	
2576	STC1267	7RU/2530-99-051-7290	CALIPER, DISC BRAKE	
2577	STC1268	7RU/2530-99-562-3447	CALIPER, DISC BRAKE	
2578	STC1269	7RU/2530-99-660-7430	CALIPER, DISC BRAKE	
2579	STC1270	7XD/2530-99-500-4713	PARTS KIT, CALIPER, DISC BRAKE	
2580	STC1275	7RU/2530-99-316-3604	PARTS KIT, DISC BRAKE	
2581	STC1276	7RU/2530-99-301-1943	DISK BRAKE SHOE SET	
2582	STC1279	7XD/2530-99-896-0037	PARTS KIT, CALIPER, DISC BRAKE	
2583	STC128	7RU/4730-99-350-5693	CLAMP, HOSE	
2584	STC1280	7XD/2530-99-004-1320	PARTS KIT, CALIPER, DISC BRAKE	
2585	STC1281	7XD/2530-99-131-1568	PARTS KIT, CALIPER, DISC BRAKE	
2586	STC1486	7XD/5305-99-851-8388	SCREW, BEZEL	
2587	STC1525	7XD/2530-99-517-2879	BRAKE SHOE SET, INTERNALLY ACTUATED	
2588	STC1526	7XD/2530-99-234-4335	BRAKE SHOE HOLD-DOWN KIT	

I T E M N O	Mfr Part Number	Catalogue Number	Item Name	Remarks
2589	STC1527	7XD/2530-99-301-6659	PARTS KIT, BRAKE ADJUSTER	
2590	STC1530	7RU/2530-99-926-3511	CABLE AND CONDUIT ASSEMBLY, VEHICULAR BRAKE	
2591	STC1532	7XD/2530-99-722-6235	PIN KIT	
2592	STC1533	7XD/2530-99-052-0349	PLATE, BACKING, BRAKE	
2593	STC1536	7XD/2530-99-663-5053	CROSS SHAFT	
2594	STC1538	7XD/5340-99-535-6876	LEVER, MANUAL CONTROL	
2595	STC1545N	7XD/2520-99-401-2066	TRANSMISSION, MECHANICAL	
2596	STC1601	7RU/2530-99-147-1297	PARTS KIT, DISK BRAKE	
2597	STC1694	7XD/4710-12-341-5767	TUBE ASSEMBLY, METAL	
2598	STC1695	7XD/4710-12-341-5768	TUBE ASSEMBLY, METAL	
2599	STC1696	7XD/4710-12-341-5769	TUBE ASSEMBLY, METAL	
2600	STC1697	7XD/4710-12-341-5770	TUBE ASSEMBLY, METAL	
2601	STC1736N	7RU/2815-99-257-9201	ENGINE, STRIPPED ASSEMBLY	
2602	STC1738	7XD/5340-99-832-3152	STRAP, RETAINING	
2603	STC1739	7XD/5340-99-136-3460	STRAP, RETAINING	
2604	STC1851	7XD/5340-99-087-1556	CLIP, SPRING TENSION	
2605	STC2407	7XD/5305-99-739-6025	SCREW, MACHINE	
2606	STC2410	7XD/5305-99-492-8528	SCREW, CAP, HEXAGON HEAD	
2607	STC2411	7XD/5305-99-690-6666	SCREW, MACHINE	
2608	STC2412	7XD/5305-99-317-0011	SCREW, MACHINE	
2609	STC2421	7XD/5310-99-167-4752	WASHER, FLAT	
2610	STC2422	7XD/5310-99-861-8007	WASHER, FLAT	
2611	STC2423	7XD/5310-99-830-1429	WASHER, LOCK	
2612	STC2424	G1/5310-12-156-4956	WASHER, LOCK	
2613	STC2425	G1/5310-99-101-0187	WASHER, LOCK	
2614	STC2426	7XD/8040-99-998-2139	ADHESIVE	
2615	STC2427	7GVW/8030-99-611-3031	SEALANT	
2616	STC2428	7GVW/8040-99-256-4172	ADHESIVE	
2617	STC2432	7XD/5340-12-344-2561	BOLT, CREMONE	
2618	STC2433	7XD/5340-12-344-2562	STRAP, RETAINING	
2619	STC2434	7XD/5340-12-151-0536	HANDLE, DOOR	
2620	STC2435	7XD/5340-15-147-6956	HINGE, STRAP	
2621	STC2436	7XD/5315-15-147-9017	PIN, HINGE	
2622	STC2437	7XD/5310-15-147-5726	NUT, SELF-LOCKING, HE	
2623	STC2438	7XD/2540-99-591-3533	HANDLE, DOOR, VEHICULAR	
2624	STC2439	33H/8040-99-731-5568	ADHESIVE	
2625	STC2440	7XD/5315-99-147-3282	PIN, SPRING	
2626	STC2441	6MT13/5340-99-495-4527	CATCH, FRICTION	
2627	STC2442	7XD/5340-99-343-1243	STUD, FRICTION CATCH	
2628	STC2447	7XD/2540-99-245-1161	LATCH, DOOR, VEHICULAR	

I T E M N O	Mfr Part Number	Catalogue Number	Item Name	Remarks
2629	STC2452	7XD/5320-99-700-3229	RIVET, BLIND	
2630	STC2453	NE/5320-99-796-0641	RIVET, BLIND	
2631	STC2454	7XD/5930-99-147-3273	SWITCH, SENSITIVE	
2632	STC2456	6MT4/5930-99-824-1783	SWITCH, SENSITIVE	
2633	STC2457	7XD/5975-99-770-1831	RACEWAY ASSEMBLY, NONMETALLIC	
2634	STC2458	7XD/5975-99-127-4712	ELBOW, RACEWAY	
2635	STC2459	7XD/5975-99-731-5820	TEE, TRUNKING	
2636	STC2461	7XD/5975-99-991-2202	INTERNAL BEND, MINI- TRUNKING FITTING	
2637	STC2462	7XD/2540-99-008-1133	CLAMP, STOWAGE, VEHICULAR	
2638	STC2467	7XD/9390-99-346-9952	NONMETALLIC SPECIAL SHAPED SECTION	
2639	STC2468	6MT6/9320-99-657-6123	RUBBER SPECIAL SHAPED SECTION	
2640	STC2469	7XD/5365-99-112-7788	RING, SPLIT	
2641	STC2470	7XD/5365-99-127-2422	RING, CONNECTING, ROUND	
2642	STC2471	6MT13/5340-99-624-8072	FASTENER, FRICTION	
2643	STC2472	7XD/5330-99-535-7208	RUBBER STRIP	
2644	STC2473	6MT13/5340-99-136-0497	CATCH, TOOLBOX	
2645	STC2474	7XD/5330-99-702-2607	RUBBER STRIP	
2646	STC2475	7XD/3990-99-814-9592	TIE DOWN, CARGO, VEHICLE	
2647	STC2476	6MT13/5340-99-827-3181	STAPLE, STRAP	
2648	STC2478	6MT4/5930-99-125-8823	SWITCH, PUSH	
2649	STC2481	7XD/5330-99-957-4772	SEAL, BRUSH TYPE	
2650	STC2482	7XD/5340-99-780-6203	LATCH, RIM	
2651	STC2483	7XD/2540-99-301-8355	HANDLE, DOOR, VEHICULAR	
2652	STC2485	7XD/5330-99-430-9523	RUBBER STRIP	
2653	STC2486	7XD/5340-99-771-4928	BUMPER STRIP, RUBBER	
2654	STC2488	7XD/8315-99-549-2011	FASTENER TAPE, HOOK	
2655	STC2489	7XD/6220-99-663-6016	LIGHT, DOME	
2656	STC2490	7XD/6240-99-725-9027	LAMP, INCANDESCENT	
2657	STC2492	7XD/5935-99-500-6034	CONNECTOR, RECEPTACLE, ELECTRICAL	
2658	STC2493	7XD/8315-99-225-6327	FASTENER TAPE, HOOK	
2659	STC2494	7XD/8315-99-215-7491	FASTENER TAPE, PILE	
2660	STC2498	7XD/5935-99-147-3276	CONNECTOR, PLUG, ELECTRICAL	
2661	STC2502	7XD/2540-99-020-7910	FRAME STRETCHER	
2662	STC2505	H1/8030-99-762-3278	LOCKING SEALANT	
2663	STC2511	H1/8040-99-220-2553	ADHESIVE	
2664	STC2512	H1/8040-99-220-1069	PRIMER, ADHESIVE	
2665	STC2514	7XD/5330-99-401-2302	PLASTIC SHEET	
2666	STC2516	7XD/5975-99-301-8336	COVER, JUNCTION BOX	
2667	STC2521	7XD/5340-99-056-3802	BRACKET, MOUNTING	

I T E M N O	Mfr Part Number	Catalogue Number	Item Name	Remarks
2668	STC2523	7XD/7230-99-930-7650	CURTAIN, BLACKOUT	
2669	STC2524	7XD/2510-99-173-0520	PANEL, BODY, VEHICULAR	
2670	STC2525	7XD/5340-99-215-7410	BRACKET, MOUNTING	
2671	STC2526	7XD/2510-99-500-6044	DOOR, VEHICULAR	
2672	STC2529	7XD/2540-99-591-3545	CUSHION, SEAT BACK, VEHICULAR	
2673	STC2531	7XD/7690-99-215-7474	MARKER, IDENTIFICATION	
2674	STC2532	7XD/9905-99-850-0406	SIGN	
2675	STC2533	7XD/9905-99-814-9590	SIGN	
2676	STC2535	7XD/2540-99-382-6916	STRIKER	
2677	STC2536	7XD/5306-99-771-4676	BOLT, EYE	
2678	STC2537	7XD/2540-99-500-6087	BELT, VEHICULAR SAFETY	
2679	STC2538	7XD/2540-99-422-9899	BELT, VEHICULAR SAFETY	
2680	STC2539	7XD/5340-99-840-3257	STRAP, WEBBING	
2681	STC2542	7XD/2540-99-603-4602	BOX, ACCESSORIES STOWAGE	
2682	STC2543	7XD/2540-99-430-9526	BOX, ACCESSORIES STOWAGE	
2683	STC2544	7XD/5340-99-663-6097	STRAP, WEBBING	
2684	STC2546	7XD/7690-99-702-2538	MARKER, IDENTIFICATION	
2685	STC2550	7XD/5340-99-126-4203	DOOR, ACCESS	
2686	STC2551	7XD/5340-99-126-4202	DOOR, ACCESS	
2687	STC2552	7XD/7690-99-549-1987	MARKER, IDENTIFICATION	
2688	STC2553	7XD/7690-99-362-7987	MARKER, IDENTIFICATION	
2689	STC2554	7XD/2510-99-591-3531	FENDER, VEHICULAR	
2690	STC2555	7XD/2510-99-836-3540	FENDER, VEHICULAR	
2691	STC2559	7XD/2540-99-605-8348	CUSHION, SEAT BACK, VEHICULAR	
2692	STC2561	7XD/5340-99-311-3394	BRACKET, MOUNTING	
2693	STC2570	7XD/2540-99-244-8271	WATERSHED	
2694	STC2571	7XD/6220-99-957-4773	BRACKET, LIGHT RETENTION	
2695	STC2572	7XD/6220-99-301-8356	BRACKET, LIGHT RETENSION	
2696	STC2573	7XD/5340-99-722-8369	PLATE, MOUNTING	
2697	STC2574	7XD/5340-99-084-5000	PLATE, MOUNTING	
2698	STC2590	7XD/2510-99-500-6043	DOOR, VEHICULAR	
2699	STC2591	7XD/2510-99-591-3532	DOOR, VEHICULAR	
2700	STC2594	7XD/6220-99-301-8625	SPOTLIGHT	
2701	STC2595	7XD/2540-99-553-2483	BOX, ACCESSORIES STOWAGE	
2702	STC2596	7XD/5940-99-551-1864	TERMINAL BLOCK, ELECTRICAL	
2703	STC2597	7XD/5940-99-522-4610	TERMINAL BLOCK, ELECTRICAL	
2704	STC2598	7XD/6220-99-500-6023	LIGHT, DOME	
2705	STC2599	7XD/5340-99-851-8405	PLATE, MOUNTING	
2706	STC2600	7XD/5340-99-591-3534	PLATE, MOUNTING	
2707	STC2601	7XD/5340-99-728-8364	PLATE, MOUNTING	

I T E M N O	Mfr Part Number	Catalogue Number	Item Name	Remarks
2708	STC2603	7XD/5340-99-834-6460	STRIKE, CATCH	
2709	STC2604	7XD/2540-99-258-0512	RECEPTACLE, DOOR WEDGE	
2710	STC2605	7XD/2540-99-911-7659	WEDGE, DOOR DOVETAIL	
2711	STC2606	7XD/5340-99-173-0521	PLATE, WEAR	
2712	STC2608	7XD/3040-99-810-5794	CYLINDER ASSEMBLY, ACTUATING, LINEAR	
2713	STC2609	7XD/6150-99-722-8367	CABLE ASSEMBLY, SPECIAL PURPOSE, ELECTRICAL	
2714	STC2610	7XD/5340-99-301-8393	BOLT, BARREL	
2715	STC2611	7XD/9340-99-702-2589	GLASS, LAMINATED	
2716	STC2612	7XD/2540-99-410-0110	PLATE, BACKING	
2717	STC2614	7XD/5340-99-215-7481	BUMPER, NONMETALLIC	
2718	STC2615	7XD/5365-99-930-7640	SPACER, PLATE	
2719	STC2617	7XD/5340-99-535-7187	BRACKET, MOUNTING	
2720	STC2621	7XD/5365-99-258-0497	SPACER, RING	
2721	STC2630	7XD/6240-99-810-5708	LAMP, FLUORESCENT	
2722	STC2633	7XD/2990-99-257-9042	MUFFLER, INTAKE	
2723	STC2634	7XD/4720-99-745-5274	HOSE, METALLIC	
2724	STC2635	7XD/5340-99-052-0757	CLAMP, LOOP	
2725	STC2637	7XD/5340-99-591-3526	CLAMP, LOOP	
2726	STC2639	7XD/2540-99-052-0756	SLEEVE, EXHAUST	
2727	STC2640	7XD/2920-12-339-8571	GLOW PLUG	
2728	STC2642	X5/6240-99-995-4476	LAMP, FILAMENT	
2729	STC2645	7XD/5340-99-840-3250	BOLT, LOCK	
2730	STC2663	7XD/2510-99-562-4421	PANEL, BODY, VEHICULAR	
2731	STC2664	7XD/2510-99-301-8409	PANEL, BODY, VEHICULAR	
2732	STC2665	7XD/6220-99-310-0850	LIGHT, DOME	
2733	STC2667	7XD/5935-99-902-3439	CONNECTOR, RECEPTACLE, ELECTRICAL	
2734	STC2668	6MT13/2540-99-800-2685	HOOK, INFUSION BOTTLE	
2735	STC2669	7XD/2540-99-702-2606	MAT, FLOOR	
2736	STC2683	7XD/2540-99-330-1983	BUFFER ASSEMBLY	
2737	STC2693	7XD/5310-99-810-6058	WASHER, LOCK	
2738	STC2694	7XD/5310-99-425-7059	WASHER, FLAT	
2739	STC2696	7XD/5340-99-020-7911	BRACKET, ANGLE	
2740	STC2698	7XD/5310-99-225-6322	WASHER, LOCK	
2741	STC2704	7XD/5320-99-125-7225	RIVET, BLIND	
2742	STC2707	7XD/5305-99-304-2009	SCREW, MACHINE	
2743	STC2715	7XD/5340-99-258-0498	HINGE, BUTT	
2744	STC2719	7XD/5340-99-859-1905	BUMPER, RUBBER	
2745	STC2720	7XD/5320-99-444-0042	RIVET, BLIND	
2746	STC2721	7XD/5340-99-373-9795	BRACKET, ANGLE	
2747	STC2723	7XD/5306-99-355-4029	BOLT, MACHINE	
2748	STC2724	7XD/5310-99-725-6129	WASHER, FLAT	
2749	STC2725	7XD/5305-99-192-0243	SCREW, MACHINE	

I T E M N O	Mfr Part Number	Catalogue Number	Item Name	Remarks
2750	STC2726	7XD/5305-99-271-0389	SCREW, MACHINE	
2751	STC2727	7XD/5310-99-452-3924	NUT, SELF-LOCKING, HEXAGON	
2752	STC2729	7XD/6220-99-940-6053	BRACKET, LIGHT RETENSION	
2753	STC2731	7XD/5340-99-663-6042	PLATE, MOUNTING	
2754	STC2732	7XD/2540-99-399-8095	WATERSHED	
2755	STC2738	7XD/5310-99-902-3440	NUT, PLAIN, CLINCH	
2756	STC2745	7XD/5306-99-979-1003	BOLT, SHOULDER	
2757	STC2746	7XD/5340-99-911-1756	BOSS	
2758	STC2747	7XD/2540-99-500-6084	FRAME, LOCKER	
2759	STC2748	7XD/5330-99-973-1830	RUBBER STRIP	
2760	STC2749	7XD/2540-99-702-2590	FRAME, LOCKER	
2761	STC2750	7XD/5340-99-234-4570	PLATE, STAPLE	
2762	STC2751	7XD/5320-99-720-4898	RIVET, BLIND	
2763	STC2752	7XD/9535-99-301-8353	PLATE, FLOOR, METAL	
2764	STC2801	7XD/5330-99-808-7294	GASKET AND SEAL SET	
2765	STC2802	7XD/5330-99-593-2688	GASKET AND SEAL SET	
2766	STC2818	7XD/2520-99-461-1138	PARTS KIT, SLAVE CYLINDER CLUTCH	
2767	STC2845	6MT9/2530-99-300-9267	STEERING GEAR	
2768	STC2846	6MT9/2530-99-449-3388	STEERING GEAR	
2769	STC2847	7XD/2530-99-663-3781	PARTS KIT, STEERING GEAR	
2770	STC2848	7XD/2530-99-915-4219	PARTS KIT, STEERING GEAR	
2771	STC2955	7XD/2520-99-257-9946	BOOT, DUST AND MOISTURE SEAL	
2772	STC3014	7XD/6220-99-809-0484	HEADLIGHT	
2773	STC3015	7XD/6220-99-362-7964	HEADLIGHT	
2774	STC3016	7XD/6240-99-432-6924	LAMP, INCANDESCENT	
2775	STC3018	7XD/2590-99-818-0431	MOLDING, METAL	
2776	STC3020	7XD/5340-99-160-4328	CLAMP, RIM CLENCHING	
2777	STC3021	7XD/5305-99-396-1150	SETSCREW	
2778	STC3022	7XD/5330-99-562-4301	GASKET	
2779	STC3023	7XD/6220-99-702-1732	ACTUATOR, HEADLAMP	
2780	STC3025	7XD/6220-99-234-4414	BODY AND CABLE ASSEMBLY	
2781	STC3037	7XD/5330-99-568-5799	GASKET	
2782	STC3038	46MT4/5935-99-802-8442	COVER, ELECTRICAL PLUG-SOCKET	
2783	STC3043	6MT4/6140-99-608-3612	BATTERY, STORAGE	
2784	STC3044	6MT4/6140-99-976-0124	BATTERY, STORAGE	
2785	STC3049	7XD/2520-99-131-1508	SHAFT, AXLE, AUTOMOTIVE	
2786	STC3050	7XD/2520-99-333-7880	SHAFT, AXLE, AUTOMOTIVE	
2787	STC3051	7XD/2520-99-147-2828	DRIVE SHAFT ASSEMBLY, CONSTANT VELOCITY, VEHICULAR	

ITEM NO	Mfr Part Number	Catalogue Number	Item Name	Remarks
2788	STC3052	7XD/2510-99-896-0036	SHOCK ABSORBER	
2789	STC3053	7XD/2510-99-257-9954	SHOCK ABSORBER, DIRECT ACTION	
2790	STC3059	7XD/6150-99-500-5147	WIRING HARNESS	
2791	STC3065	X5/6240-99-721-4769	LAMP, FILAMENT	
2792	STC3066	X5/6240-99-721-4768	LAMP, FILAMENT	
2793	STC3067	7XD/5325-99-709-4837	GROMMET, RUBBER	
2794	STC3069	7XD/2540-99-052-0323	MOTOR, WINDSHIELD WIPER, ELECTRIC	
2795	STC3070	7XD/2540-99-850-3975	MOTOR, WINDSHIELD WIPER, ELECTRIC	
2796	STC3071	7XD/2540-99-158-4640	GEAR AND LINKAGE, WINDSHIELD WIPER MOTOR	
2797	STC3072	7XD/5365-99-250-0821	SPACER, PLATE	
2798	STC3073	7XD/5340-99-896-0087	FERRULE	
2799	STC3075	7XD/5340-99-987-5272	CAP, FILLER OPENING	
2800	STC3084	7XD/2950-99-730-8802	ACTUATOR	
2801	STC3086	7XD/6250-99-396-1153	LAMPHOLDER	
2802	STC3087	7XD/2510-99-316-1549	SHOCK ABSORBER, DIRECT ACTION	
2803	STC3088	7XD/2510-99-987-8757	SHOCK ABSORBER	
2804	STC3124	7XD/2520-99-591-3538	PARTS KIT, FLANGE, COMPANION, UNIVERSAL JOINT	
2805	STC3138	7XD/3040-99-126-3003	CYLINDER, ACTUATING, LINEAR	
2806	STC3159	7XD/5307-99-270-5430	STUD, PLAIN	
2807	STC3180	7XD/6220-99-745-5276	HEADLIGHT	
2808	STC3181	7XD/6220-99-386-7653	HEADLIGHT	
2809	STC3295	6MT9/2530-99-729-2349	PARTS KIT, BALL JOINT	
2810	STC3191	7XD/5331-99-986-6395	O-RING	
2811	STC3192	7XD/5331-99-471-1437	O-RING	
2812	STC3297	7XD/4730-99-517-3131	KIT, BOLT, FLUID PASSAGE	
2813	STC3315	7XD/2920-99-096-4299	SOLENOID, ELECTRICAL	
2814	STC3334	6MT4/5935-99-803-1823	PLUG	
2815	STC3379	7XD/5306-99-577-1466	BOLT, MACHINE	
2816	STC3382	7XD/5306-99-949-0410	BOLT, MACHINE	
2817	STC3383	7XD/2815-99-950-3380	ENGINE, DIESEL	
2818	STC3384	7XD/2815-99-500-4405	ENGINE, DIESEL	
2819	STC3386	7XD/6150-99-083-3764	LEAD, ELECTRICAL	
2820	STC3387	7XD/6150-99-301-7265	LEAD, ELECTRICAL	
2821	STC3392	7XD/5305-99-229-4216	SCREW, MACHINE	
2822	STC3406	7RU/2590-99-169-0929	SPEEDO HOUSING	
2823	STC3407	7XD/4320-99-265-1101	ROTOR SET, PUMP	
2824	STC3430	6MT13/2540-99-808-8315	PIN ASSEMBLY, TOWING PINTLE	
2825	STC3431	6MT13/5315-99-808-8310	PIN, LOCK	

I T E M N O	Mfr Part Number	Catalogue Number	Item Name	Remarks
2826	STC3432	7XD/2520-99-723-2841	PARTS KIT, FLANGE, COMPANION, UNIVERSAL JOINT	
2827	STC3433	7XD/2520-99-075-8908	PARTS KIT, FLANGE, COMPANION, UNIVERSAL JOINT	
2828	STC3435	7XD/9150-99-911-1798	GREASE, AUTOMOTIVE	
2829	STC3438	7XD/2910-99-337-1116	TUBE, EXTENSION	
2830	STC3439	7XD/2990-99-932-7230	PIPE, FUEL FILLER	
2831	STC3440	7XD/2540-99-152-5326	VENTILATOR, AIR CIRCULATING	
2832	STC3441	7XD/2540-99-430-9522	HEATER, VEHICULAR, COMPARTMENT	
2833	STC3442	7XD/5340-99-126-4156	CLAMP, LOOP	
2834	STC3445	7XD/2540-99-083-3914	VENTILATOR, AIR CIRCULATING	
2835	STC3446	7XD/6220-99-732-0786	LIGHT, WARNING	
2836	STC3447	7XD/6220-99-225-6323	LENS, LIGHT	
2837	STC3449	7XD/5975-99-663-6017	RACEWAY ASSEMBLY, NONMETALLIC	
2838	STC3450	7XD/5975-99-976-0123	ELBOW, RACEWAY	
2839	STC3451	7XD/5975-99-553-2476	ELBOW, RACEWAY	
2840	STC3452	7XD/5975-99-983-9790	TEE, TRUNKING	
2841	STC3453	7XD/5975-99-745-5278	TEE, TRUNKING	
2842	STC3454	7XD/5340-99-215-7394	CAP, PROTECTIVE, DUST AND MOISTURE SEAL	
2843	STC3455	7XD/5340-99-549-1968	CAP, PROTECTIVE, DUST AND MOISTURE SEAL	
2844	STC3456	7XD/5975-99-147-3275	ADAPTER, TRUNKING	
2845	STC3457	7XD/5975-99-500-6033	ADAPTOR, TRUNKING	
2846	STC3458	7XD/5975-99-404-2557	JUNCTION BOX	
2847	STC3459	7XD/6230-99-663-6026	LIGHT, EXTENSION	
2848	STC3460	7XD/6240-99-573-6013	LAMP, INCANDESCENT	
2849	STC3461	X5/6240-99-737-7104	LAMP, FILAMENT	
2850	STC3462	7XD/6130-99-156-4659	JUNCTION BOX	
2851	STC3463	7XD/5975-99-348-9913	COVER, JUNCTION BOX	
2852	STC3464	7XD/5320-99-134-2011	RIVET, BLIND	
2853	STC3465	7XD/9905-99-860-5279	SIGN, FACE, ADHESIVE	
2854	STC3466	7XD/9905-99-709-0892	SIGN FACE, ADHESIVE	
2855	STC3467	7XD/2540-99-973-6996	VENTILATOR, AIR CIRCULATING	
2856	STC3468	7XD/5320-99-627-8668	RIVET, BLIND	
2857	STC3469	7XD/9905-99-702-2537	PLATE, CONSTRUCTION	
2858	STC3471	7XD/5935-99-333-7913	CONNECTOR, RECEPTACLE, ELECTRICAL	
2859	STC3472	7XD/5935-99-591-3528	COVER, ELECTRICAL CONNECTOR	
2860	STC3473	7XD/6032-99-052-0777	LIGHT EMITTING DIODE	
2861	STC3474	7XD/5930-99-096-4550	SWITCH, ROTARY	

ITEM NO	Mfr Part Number	Catalogue Number	Item Name	Remarks
2862	STC3475	7XD/5930-99-517-3490	PLATE KIT, ESCUTCHEON	
2863	STC3476	7XD/5975-99-957-4765	BUSHING, ELECTRICAL CONDUCTOR	
2864	STC3477	7XD/5310-99-411-1443	NUT, PLAIN, HEXAGON	
2865	STC3479	7XD/5930-12-332-9596	SWITCH, ROTARY	
2866	STC3480	Z32/5935-99-626-5472	CONNECTOR, FIXED, ELECTRICAL	
2867	STC3481	7XD/5935-99-500-6034	CONNECTOR, RECEPTACLE, ELECTRICAL	
2868	STC3482	7XD/5930-99-322-3369	SWITCH, ROTARY	
2869	STC3483	7XD/5930-99-517-3491	SWITCH, PUSH	
2870	STC3484	7XD/5925-99-911-6101	CIRCUIT BREAKER	
2871	STC3485	7XD/5925-99-988-4191	CIRCUIT BREAKER	
2872	STC3486	7XD/5925-99-840-3246	CIRCUIT BREAKER	
2873	STC3487	7XD/5925-99-052-0768	CIRCUIT BREAKER	
2874	STC3488	7XD/6150-99-425-5004	BUS, CONDUCTOR	
2875	STC3489	Z32/5935-99-626-5472	CONNECTOR, FIXED, ELECTRICAL	
2876	STC3490	7XD/5935-99-403-7008	COVER, ELECTRICAL CONNECTOR	
2877	STC3491	7XD/7690-99-987-8800	MARKER, IDENTIFICATION	
2878	STC3492	7XD/7690-99-126-4164	MARKER, IDENTIFICATION	
2879	STC3493	7XD/5340-99-702-2551	BOLT, LOCK	
2880	STC3494	7XD/2510-99-421-2365	WINDOW, VEHICULAR	
2881	STC3495	7XD/5320-99-138-0314	IMEX RIVET	
2882	STC3496	7XD/5320-99-234-1654	RIVET, BLIND	
2883	STC3497	7XD/2540-99-126-4204	FRAME, STRETCHER	
2884	STC3498	7XD/2540-99-663-6096	FRAME, STRETCHER	
2885	STC3499	7XD/2540-99-234-4566	FRAME, STRETCHER	
2886	STC3500	7XD/2540-99-926-3643	FRAME, STRETCHER	
2887	STC3501	7XD/2540-99-810-5791	FRAME, STRETCHER	
2888	STC3502	7XD/2540-99-961-2051	FRAME, STRETCHER	
2889	STC3503	7XD/2540-99-894-8712	FRAME, STRETCHER	
2890	STC3504	7XD/2540-99-087-1604	POST ASSEMBLY	
2891	STC3505	7XD/2540-99-464-7123	POST ASSEMBLY	
2892	STC3506	7XD/2540-99-810-5792	SUPPORT	
2893	STC3507	7XD/2540-99-500-6085	SUPPORT	
2894	STC3508	7XD/3040-99-998-9222	AXLE, SHOULDERED	
2895	STC3509	7XD/5340-99-577-3908	WHEEL, SOLID, NONMETALLIC	
2896	STC3510	7XD/5340-99-810-5793	LATCH ASSEMBLY	
2897	STC3511	7XD/5340-99-517-3528	STRAP, WEBBING	
2898	STC3512	7XD/5340-99-215-7475	STOP, STRETCHER	
2899	STC3513	7XD/5360-99-147-3296	SPRING, HELICAL, COMPRESSION	
2900	STC3514	7XD/5355-99-810-5815	KNOB	
2901	STC3515	7XD/5340-99-258-0513	CATCH	
2902	STC3516	7XD/5340-99-301-8394	CATCH	

I T E M N O	Mfr Part Number	Catalogue Number	Item Name	Remarks
2903	STC3517	7XD/7690-99-549-7651	MARKER, IDENTIFICATION	
2904	STC3518	7XD/7690-99-245-1163	MARKER, IDENTIFICATION	
2905	STC3519	7XD/7690-99-810-5796	MARKER, IDENTIFICATION	
2906	STC3520	7XD/5310-99-709-0898	WASHER, FLAT	
2907	STC3521	7XD/3120-99-151-2923	BEARING, SLEEVE	
2908	STC3522	7XD/5310-99-832-4003	NUT, PIVOT	
2909	STC3524	7XD/3120-99-810-5795	BEARING, SLEEVE	
2910	STC3525	7XD/7510-99-841-9766	TAPE, IDENTIFICATION	
2911	STC3526	7XD/5310-99-838-1817	PUSH ON NUT	
2912	STC3527	7XD/5305-99-147-3297	SCREW, MACHINE	
2913	STC3528	6MT13/5340-99-770-9187	BOLT, WINDOW, SPRING	
2914	STC3529	7XD/5340-99-126-4205	BRACKET, MOUNTING	
2915	STC3530	7XD/5340-99-301-8395	BUMPER, NONMETALLIC	
2916	STC3531	7XD/2540-99-258-0514	FITTING	
2917	STC3532	7XD/2540-99-371-0439	ADAPTOR	
2918	STC3536	7XD/7690-99-517-3529	MARKER, IDENTIFICATION	
2919	STC3537	7XD/7690-99-014-4771	MARKER, IDENTIFICATION	
2920	STC3538	7XD/5340-99-215-7477	HANDLE, BOW	
2921	STC3539	7XD/5340-99-147-3298	VENT GRILL	
2922	STC3540	7XD/4130-99-327-7941	FILTER ELEMENT, AIR CONDITIONING	
2923	STC3541	7XD/4130-99-599-0676	FILTER ELEMENT, AIR CONDITIONING	
2924	STC3542	7XD/2540-99-084-5001	SHELF, FOLDING	
2925	STC3543	7XD/5340-99-244-8281	STRAP, WEBBING	
2926	STC3544	7XD/5340-99-126-4216	BUMPER STRIP, RUBBER	
2927	STC3545	7XD/5340-99-562-4417	BRACKET, MOUNTING	
2928	STC3547	7XD/5340-99-215-7478	DUMMY TERMINAL	
2929	STC3549	7XD/5340-99-985-2008	COVER, ACCESS	
2930	STC3551	7XD/2540-99-501-1653	BOX, ACCESSORIES STOWAGE	
2931	STC3552	7XD/2540-99-215-7479	BOX, ACCESSORIES STOWAGE	
2932	STC3553	7XD/2540-99-930-7651	LADDER, VEHICLE BOARDING	
2933	STC3554	7XD/2510-99-820-3311	TREAD, METALLIC, NONSKID	
2934	STC3555	7XD/2510-99-004-1401	TREAD, METALLIC, NONSKID	
2935	STC3556	7XD/3040-99-016-1263	SHAFT, SHOULDERED	
2936	STC3558	7XD/5340-99-250-0823	BUMPER, RUBBER	
2937	STC3559	6MT13/5340-99-799-1609	BUMPER, RUBBER	
2938	STC3560	7XD/3120-99-500-6086	BEARING, SLEEVE	
2939	STC3561	7XD/5365-99-422-9898	SPACER, PLATE	
2940	STC3562	7XD/5440-99-748-1711	STEP, LADDER	
2941	STC3568	7XD/2540-99-374-7358	SEAT, VEHICULAR	
2942	STC3569	7XD/2540-99-722-8437	FRAME, SEAT, VEHICULAR	
2943	STC3570	7XD/5340-99-810-5797	STRAP, WEBBING	
2944	STC3571	7XD/8315-99-126-4261	FASTENER TAPE, PILE	

ITEM NO	Mfr Part Number	Catalogue Number	Item Name	Remarks
2945	STC3572	7XD/5340-99-434-2482	CLAMP, LOOP	
2946	STC3573	7XD/5320-99-396-1266	RIVET, BLIND	
2947	STC3591	7XD/3120-99-215-7480	BEARING, SLEEVE	
2948	STC3592	7XD/5340-99-641-7823	CLIP, SPRING TENSION	
2949	STC3597	7XD/4730-99-810-5754	BOLT, FLUID PASSAGE	
2950	STC3626	7XD/4320-12-338-4454	PUMP UNIT, RECIPROCATING	
2951	STC3627	O/4730-12-132-2701	CLAMP, HOSE	
2952	STC3628	6MT1/4730-99-832-4543	CLAMP, HOSE	
2953	STC3629	7XD/2540-99-427-7929	DUCT ASSEMBLY	
2954	STC3630	7XD/4720-99-411-1442	HOSE, AIR DUCT	
2955	STC3631	46MT1/4730-99-798-3387	CLAMP, HOSE	
2956	STC3632	7XD/5330-99-417-8403	SEAL, NONMETALLIC SPECIAL SHAPED SECTION	
2957	STC3638	7XD/4130-99-052-0758	AIR BOX ASSEMBLY	
2958	STC3639	7XD/4130-99-215-7379	FILTER ELEMENT, AIR CONDITIONING	
2959	STC3641	7XD/2540-99-083-7062	BLOWER	
2960	STC3643	7XD/5905-99-371-0432	SENSOR, TEMPERATURE	
2961	STC3644	7XD/6130-99-314-6023	RECTIFIER, METALLIC	
2962	STC3645	7XD/2510-99-771-4251	PANEL, BODY, VEHICULAR	
2963	STC3646	7XD/5310-99-033-3569	NUT, PLAIN, BLIND RIVET	
2964	STC3647	7XD/5340-99-215-7476	BRACKET, DOUBLE ANGLE	
2965	STC3648	7XD/5340-99-974-7301	BRACKET, DOUBLE ANGLE	
2966	STC3649	7XD/5340-99-258-0515	COVER, ACCESS	
2967	STC3650	7XD/5325-99-244-8282	STUD, TURNBUTTON FASTENER	
2968	STC3651	7XD/2540-99-663-6108	STEP, FOLDING	
2969	STC3652	7XD/2540-99-593-2739	CUSHION, SEAT, VEHICULAR	
2970	STC3654	7XD/2540-99-215-7482	BACKREST	
2971	STC3655	7XD/5340-99-574-1308	PLATE, MOUNTING	
2972	STC3656	7XD/5340-99-663-6098	HANDLE, BOW	
2973	STC3659	7XD/5305-99-585-8266	SCREW, MACHINE	
2974	STC3660	7XD/2540-99-771-4675	BATTEN, SEATBASE	
2975	STC3661	7XD/7510-99-894-1263	TAPE, PRESSURE SENSITIVE ADHESIVE	
2976	STC3662	7XD/6220-99-608-3475	LIGHT, DOME	
2977	STC3663	7XD/2510-99-623-9215	PANEL, BODY, VEHICULAR	
2978	STC3664	7XD/6515-99-348-9918	PIPELINE SYSTEM	
2979	STC3665	7XD/6515-99-321-5761	PIPELINE SYSTEM	
2980	STC3667	7XD/2510-99-001-6974	REPAIR KIT, VEHICULAR BODY	
2981	STC3668	7XD/5930-99-301-8338	SWITCH, PUSH	
2982	STC3669	7XD/5963-99-663-6041	AMPLIFIER, AUDIO FREQUENCY	
2983	STC3670	7XD/6350-01-450-5252	SIREN, ELECTRIC MOTOR OPERATED	

I T E M N O	Mfr Part Number	Catalogue Number	Item Name	Remarks
2984	STC3695	6MT13/2540-99-800-2685	HOOK, INFUSION BOTTLE	
2985	STC3705	7XD/5963-99-453-8075	CONTROL UNIT, ELECTRONIC	
2986	STC3706	7XD/5945-99-108-4968	RELAY, THERMAL	
2987	STC3707	7XD/5910-99-517-3496	CAPACITOR	
2988	STC3708	7XD/5915-99-517-3497	SUPPRESSOR ASSEMBLY	
2989	STC3722	7XD/2520-99-842-1755	PARTS KIT, FLANGE, COMPANION, UNIVERSAL JOINT	
2990	STC3819	7XD/2920-99-037-0642	SOLENOID, ELECTRICAL	
2991	STC3820	7XD/2920-99-500-6057	POTENTIOMETER	
2992	STC3851	7XD/5940-99-364-0199	TERMINAL, STUD	
2993	STC3856	7XD/5310-99-386-7657	WASHER, SEAL	
2994	STC3902	7XD/5975-99-553-2592	CONDUIT OUTLET	
2995	STC3912	7XD/5365-99-728-8681	BUSHING, NONMETALLIC	
2996	STC3922	7XD/2540-99-313-3740	LOCK, SEAT, BACK	
2997	STC3923	7XD/5340-99-454-4922	STOP, STRETCHER	
2998	STC3927	7XD/9390-99-215-8629	NONMETALLIC SPECIAL SHAPED SECTION	
2999	STC3928	7XD/2990-99-173-0651	PIPE, EXHAUST	
3000	STC3929	7XD/5340-99-052-1319	CLIP, SPRING TENSION	
3001	STC3932	7XD/2510-99-215-8627	PANEL, BODY, VEHICULAR	
3002	STC3933	7XD/2510-99-702-4086	PANEL, BODY, VEHICULAR	
3003	STC3934	7XD/2510-99-517-3978	PANEL, BODY, VEHICULAR	
3004	STC3935	7XD/2510-99-215-8628	PANEL, BODY, VEHICULAR	
3005	STC3936	7XD/2540-99-535-7540	SHAFT, SQUARE	
3006	STC4005	7XD/4020-99-951-8403	CORD ASSEMBLY, ELASTIC	
3007	STC4034	7XD/5940-99-535-7861	CONNECTOR	
3008	STC4035	7XD/5940-99-302-0590	CONNECTOR	
3009	STC4036	7XD/5940-99-957-5698	CONNECTOR	
3010	STC4072	7XD/2590-99-513-2243	CAP, FILLER OPENING	
3011	STC4117	7XD/2540-99-863-4614	BLOWER MOTOR	
3012	STC4118	7XD/2540-99-480-7482	HEAT EXCHANGER	
3013	STC4119	7XD/5998-99-973-9021	PRINTED CIRCUIT BOARD	
3014	STC4120	7XD/4730-99-189-1801	STRAINER ELEMENT, SEDIMENT	
3015	STC4121	7XD/5330-99-682-6374	GASKET AND SEAL SET	
3016	STC4122	7XD/5930-99-175-4865	SWITCH, THERMOSTATIC	
3017	STC4123	7XD/5905-99-792-3289	SENSOR, TEMPERATURE	
3018	STC4124	7XD/2540-99-285-9974	MIXTURE SCREW AND LOCKER	
3019	STC4125	7XD/6150-99-641-7786	WIRING HARNESS	
3020	STC4126	7XD/6150-99-430-0115	WIRING HARNESS	
3021	STC4127	7XD/4720-99-751-5013	TUBING, NONMETALLIC	
3022	STC4128	7XD/4720-99-369-1119	TUBING, NONMETALLIC	
3023	STC4129	7XD/4720-99-602-7245	TUBING, NONMETALLIC	
3024	STC4130	7XD/9905-99-753-9133	PLATE, INSTRUCTION	
3025	STC4131	7XD/4720-99-219-5004	TUBING, NONMETALLIC	

I T E M N O	Mfr Part Number	Catalogue Number	Item Name	Remarks
3026	STC4132	7XD/5330-99-779-5234	GASKET	
3027	STC4133	7XD/5325-99-273-7747	GROMMET BLANK, NONMETALLIC	
3028	STC4136	7XD/6150-99-766-7046	WIRING HARNESS	
3029	STC4137	7XD/6150-99-260-8213	WIRING HARNESS	
3030	STC4140	7XD/6150-99-498-8537	WIRING HARNESS	
3031	STC4141	7XD/6150-99-868-3426	WIRING HARNESS	
3032	STC4142	7XD/5342-99-433-7051	MOUNT, RESILIENT	
3033	STC4143	7XD/5325-99-297-5717	GROMMET, NONMETALLIC	
3034	STC4144	7XD/4730-99-791-2104	STRAINER ELEMENT, SEDIMENT	
3035	STC4148	7XD/3120-99-507-2201	BUSHING, SLEEVE	
3036	STC4149	7XD/5340-99-125-4615	CLAMP, LOOP	
3037	STC4240	7XD/8040-99-586-0751	ADHESIVE	
3038	STC4241	7XD/2540-99-949-0411	STRIP, WEAR	
3039	STC4242	7XDW/5340-99-573-6451	BRACKET, MOUNTING	
3040	STC4244	7XDW/6220-99-573-6452	LENS, LIGHT	
3041	STC4245	7XD/5340-99-603-2559	PLATE, MOUNTING	
3042	STC4246	7XD/5340-99-430-5202	PLATE, MOUNTING	
3043	STC4247	7XDW/5325-99-573-6453	GROMMET, NONMETALLIC	
3044	STC4248	7XD/9905-99-623-6963	PLATE, INSTRUCTION	
3045	STC4253	7XD/2540-99-617-4020	ARM ASSEMBLY	
3046	STC4254	7XD/2540-99-702-4101	ARM ASSEMBLY	
3047	STC4255	7XD/2540-99-234-4027	STRIP, WEAR	
3048	STC4256	7XD/2540-99-196-0146	HOUSING, SPRING	
3049	STC4257	7XD/2540-99-690-6667	HOUSING, SPRING	
3050	STC4269	7XD/5331-99-839-0021	O-RING	
3051	STC4271	7XD/5331-99-332-6002	O-RING	
3052	STC4272	7XD/5331-99-703-0524	O-RING	
3053	STC4292	7XDW/2530-99-573-6559	PARTS KIT, BRAKE BOOSTER	
3054	STC4293	7XDW/5920-99-573-6561	PARTS KIT, FUSE BOX	
3055	STC4294	7XDW/2540-99-573-6562	PARTS KIT, WINDSHIELD WIPER MOTOR	
3056	STC4295	7XDW/2540-99-573-6563	PARTS KIT, WINDSHIELD WIPER MOTOR	
3057	STC4296	7XDW/2590-99-573-6564	PARTS KIT, CONTROL MULTIFUNCTION AUTOMOTIVE	
3058	STC4308	7XDW/4720-99-967-9036	HOSE, PREFORMED	
3059	STC4309	7XDW/6220-99-932-2699	LIGHT, UTILITY, VEHICULAR	
3060	STC4310	7XDW/5325-99-254-3084	INSERT, SCREW THREAD	
3061	STC4314	7XDW/2540-99-357-7724	PARTS KIT, INSTRUMENT HARNESS	
3062	STC4322	7XD/2530-99-304-7055	BRAKE BOOSTER ASSEMBLY, MASTER CYLINDER	

I T E M N O	Mfr Part Number	Catalogue Number	Item Name	Remarks
3063	STC4329	7XDW/5330-99-864-6273	PARTS KIT, SEAL REPLACEMENT,	
3064	STC4330	7XDW/2540-99-358-5589	MECHANICAL EQUIPMENT PARTS KIT, VEHICULAR	
3065	STC4331	7XDW/2540-99-851-7251	COMPARTMENT HEATER PARTS KIT, VEHICULAR	
3066	STC4332	7XDW/2910-99-641-7769	COMPARTMENT HEATER PUMP, FUEL, ELECTRICAL	
3067	STC4333	7XDW/4730-99-930-9070	CLAMP, HOSE	
3068	STC4334	7XDW/2540-99-345-6857	PARTS KIT, VEHICULAR	
3069	STC4335	7XDW/2540-99-436-1047	COMPARTMENT HEATER PARTS KIT, VEHICULAR	
3070	STC4336	7XDW/5935-99-929-7727	COMPARTMENT HEATER CONNECTOR, PLUG,	
3071	STC4337	7XDW/2540-99-113-3872	ELECTRICAL CAP END	
3072	STC4338	7XDW/2540-99-423-3153	PARTS KIT, VEHICULAR	
3073	STC4339	7XDW/4710-99-398-9159	COMPARTMENT HEATER PIPE	
3074	STC4341	7XDW/5340-99-756-3023	CLAMP, LOOP	
3075	STC4355	7XDW/5330-99-916-9396	GASKET	
3076	STC4356	7XD/8030-99-969-2059	SEALING COMPOUND	
3077	STC4357	7XDW/8030-99-593-8152	CORROSION PREVENTIVE COMPOUND	
3078	STC4358	7XDW/9150-99-355-4031	GREASE, SILICONE	
3079	STC4359	7XD/6250-99-484-3161	LAMPHOLDER	
3080	STC4361	7XDW/6150-99-733-1080	WIRING HARNESS	
3081	STC4362	7XD/6250-99-727-6029	LAMPHOLDER	
3082	STC4363	7XD/6240-99-221-6883	LAMP, INCANDESCENT	
3083	STC4364	7XD/9905-99-433-2007	PLATE, INSTRUCTION	
3084	STC4365	7XD/9905-99-803-5752	PLATE, INSTRUCTION	
3085	STC4366	7XDW/7690-99-871-5824	MARKER, IDENTIFICATION	
3086	STC4367	7XDW/7690-99-297-5719	MARKER, IDENTIFICATION	
3087	STC4368	7XDW/5330-99-606-0187	GASKET AND PREFORMED PACKING SET	
3088	STC4370	7XD/2520-99-641-7826	PARTS KIT, FLANGE, COMPANION, UNIVERSAL JOINT	
3089	STC4371	7XDW/8030-99-967-5715	CORROSION PREVENTIVE COMPOUND	
3090	STC4372	7XDW/8030-99-333-8032	CORROSION PREVENTIVE COMPOUND	
3091	STC4382	7XD/3110-99-212-1591	BEARING, ROLLER, TAPERED	
3092	STC4385	7XD/2530-99-317-5161	PARTS KIT, STEERING GEAR	
3093	STC4404	7XDW/8030-99-720-4947	SEALING COMPOUND	
3094	STC441	7RU/2530-99-533-9660	CYLINDER ASSEMBLY, HYDRAULIC BRAKE, MASTER	

ITEM NO	Mfr Part Number	Catalogue Number	Item Name	Remarks
3095	STC4411	7XD/5307-99-862-2655	STUD, PLAIN	
3096	STC4413	7XDW/2540-99-568-5323	KIT, SNOW COVERS	
3097	STC4415	7XDW/2540-99-614-0511	BLIND, WINDOW, VEHICULAR	
3098	STC4416	7XDW/2540-99-288-6645	BLIND, WINDOW, VEHICULAR	
3099	STC4417	7XDW/2540-99-399-0817	BLIND, WINDSCREEN, VEHICULAR	
3100	STC4418	7XD/6220-99-262-0209	COVER, VEHICULAR LIGHT	
3101	STC442	7RU/2530-99-934-6351	SERVOCYLINDER ASSEMBLY	
3102	STC4420	7XDW/9150-99-395-7911	GREASE	
3103	STC4428	7XD/5340-99-730-8021	PLATE, MOUNTING	
3104	STC4429	7XD/5330-99-108-5074	PACKING, PREFORMED	
3105	STC4430	7XD/6150-99-471-4918	WIRING HARNESS, BRANCHED	
3106	STC4431	7XD/5340-99-841-4004	BRACKET, ANGLE	
3107	STC4432	7XD/5310-99-212-1593	NUT PLATE	
3108	STC4433	7XD/2510-99-705-6006	HOUSING, PANEL, VEHICULAR OPERATION	
3109	STC4435	7XD/5340-99-754-0015	PLATE, MOUNTING	
3110	STC4436	7XD/2540-99-445-6602	CLAMP AND WASHER ASSEMBLY	
3111	STC4437	7XD/2540-99-376-2147	PARTS KIT, STRETCHER RESTRAINT	
3112	STC4438	7XD/5340-99-347-5025	STRAP, WEBBING	
3113	STC4439	7XD/5340-99-467-9242	STRAP, WEBBING	
3114	STC4440	7XD/2540-99-197-6084	END STOP, STRETCHER	
3115	STC4442	7XDW/2540-99-573-6345	WATERPROOFING KIT, VEHICLE	
3116	STC4443	7XDW/2540-99-573-6346	WATERPROOFING KIT, VEHICLE	
3117	STC4445	7XDW/2540-99-627-6986	KIT, SEAT BELT FIXING	
3118	STC491	7RU/2530-99-398-0507	OVERHAUL KIT, MASTER CYLINDER	
3119	STC492	7XD/2530-99-851-0359	PARTS KIT, HYDRAULIC RESERVOIR	
3120	STC493	7XD/4820-99-127-4678	VALVE, CHECK	
3121	STC50536	7XD/2540-99-830-1219	INSTALLATION KIT, EMERGENCY BEACON AND SIREN	
3122	STC579	7XD/5365-99-052-0113	RING, RETAINING	
3123	STC611	7RU/8040-99-702-6594	GASKET CEMENT	
3124	STC7409	7XDW/4320-99-573-6539	PUMP	
3125	STC7411	7XDW/2540-99-573-6544	BURNER CARTRIDGE	
3126	STC7413	7XDW/4720-99-573-6545	ELBOW	
3127	STC7417	7XDW/2540-99-573-6542	DETECTOR, FLAME	
3128	STC7418	7XDW/2540-99-573-6543	GLOW PIN	
3129	STC7421	7XDW/5120-99-250-0820	REMOVAL TOOL	

I T E M N O	Mfr Part Number	Catalogue Number	Item Name	Remarks
3130	STC7423	7XDW/4720-99-573-6454	TUBING ASSEMBLY, NONMETALLIC	
3131	STC7434	7XDW/2990-99-573-6551	MUFFLER, EXHAUST	
3132	STC7435	7XDW/4720-99-573-6550	HOSE, METALLIC	
3133	STC7436	7XDW/5340-99-573-6552	CLAMP, LOOP	
3134	STC7443	7XDW/4720-99-573-6554	HOSE, NONMETALLIC	
3135	STC7445	7XDW/4720-99-301-1079	HOSE, PREFORMED	
3136	STC8384E	6MT9/2530-99-172-9632	STEERING GEAR	
3137	STC8574	7XD/2530-99-234-4343	PARTS KIT, CALIPER, DISC BRAKE	
3138	STC8575	7XD/2530-99-377-5140	PARTS KIT, CALIPER, DISC BRAKE	
3139	STC8646	7XD/5330-99-809-0906	SEAL, PLAIN	
3140	STC889	7XD/2530-99-517-3133	PARTS KIT, STEERING GEAR	
3141	STC952	7XD/5330-99-257-9997	SEAL	
3142	STC966	7XD/6150-99-739-0899	KIT, HARNESS	
3143	STC976	6MT9/2530-99-786-8608	CAP, FILLER OPENING	
3144	STC987	7XD/2540-99-770-0135	DRIVER ASSEMBLY	
3145	SU112101S	7XD/5305-99-873-2384	SCREW, GRUB	
3146	SX108201L	7XD/5305-99-736-2710	SCREW, CAP, HEXAGON HEAD	
3147	SX110251M	G1/5306-99-734-5820	BOLT, MACHINE	
3148	SX110257M	7XD/5306-99-301-9612	BOLT, MACHINE	
3149	SX110301	G1/5306-99-977-4405	BOLT, MACHINE	
3150	SYC10020	7XD/5340-99-131-1510	CLIP, SPRING TENSION	
3151	TDL100240	7XD/5325-99-949-0416	RING, RETAINING	
3152	TE108051L	7RU/5307-99-943-1034	STUD, PLAIN	
3153	TE108061L	G1/5307-99-977-3490	STUD, PLAIN	
3154	TE110051	7XD/5307-99-594-5595	STUD, PLAIN	
3155	TE110051L	7XD/5307-99-594-5595	STUD, PLAIN	
3156	TE110061L	7XD/5307-99-821-7326	STUD, PLAIN	
3157	TE110071L	7FW/5307-99-062-1996	STUD, PLAIN	
3158	TE110151	7XD/5307-99-613-3752	STUD, PLAIN	
3159	TOF100000	7XD/5365-99-659-0288	SPACER, RING	
3160	TOF100010	7XD/5365-99-262-7089	SPACER, RING	
3161	TOF100020	7XD/5365-99-270-5427	SPACER, RING	
3162	TOF100030	7XD/5365-99-113-3776	SPACER, RING	
3163	TOF100040	7XD/5365-99-223-9687	SPACER, RING	
3164	TOF100050	7XD/5365-99-551-0071	SPACER, RING	
3165	TOF100060	7XD/5365-99-795-5475	SPACER, RING	
3166	TRC103000	7XD/2520-99-316-3935	TRANSMISSION, MECHANICAL, VEHICULAR	
3167	TRC103180	7XD/2520-99-326-7958	TRANSMISSION, MECHANICAL, VEHICULAR	
3168	TVC100010	7XD/2520-99-577-1467	PARTS KIT, UNIVERSAL JOINT	
3169	TVE100000	7XD/2520-99-834-0531	BOOT, DUST AND MOISTURE SEAL	

I T E M N O	Mfr Part Number	Catalogue Number	Item Name	Remarks
3170	TYG100580	7XD/5306-99-037-0315	BOLT, SHOULDER	
3171	TYG100590	7XD/5306-99-822-8526	BOLT, MACHINE	
3172	UAM2857L	7XD/5310-99-061-2203	WASHER, FLAT	
3173	UAM2957	7XD/4730-99-301-0520	PLUG, PIPE	
3174	UAM2957L	7XD/4730-99-301-0520	PLUG, PIPE	
3175	UBH101600	7XD/4710-99-727-2015	PIPE, TRANSMISSION-OIL COOLER	
3176	UBH101610	7XD/4710-99-221-7236	PIPE, OIL COOLER- TRANSMISSION	
3177	UBU100470	7XD/5340-99-987-4915	BRACKET, MOUNTING	
3178	UBU100480	7XD/5340-99-357-7725	BRACKET, MOUNTING	
3179	UKC1060L	6MT1/5330-99-829-9860	SEAL, PLAIN	
3180	UKC170L	7RU/5315-99-792-0743	PIN, HOLLOW	
3181	UKC24L	7RU/5340-99-792-0656	PLUG, EXPANSION	
3182	UKC25L	7RU/5315-99-792-0822	PIN, HOLLOW	
3183	UKC3092	7RU/5315-99-254-7721	PIN, STRAIGHT, HEADLESS	
3184	UKC3803L	7RU/4730-99-798-0795	CLAMP, HOSE	
3185	UKC6684L	Z1/5340-99-112-6909	STRAP, LINE SUPPORTING	
3186	URB100760	7RU/2520-99-256-1118	PRESSURE PLATE ASSEMBLY, CLUTCH	
3187	UTD100000	7XD/2520-99-177-7221	SHIFTER FORK, VEHICULAR	
3188	UTJ100210	7XD/2520-99-145-0765	BEARING, BALL, ANNULAR	
3189	UTP1725	7XD/2540-99-809-0954	RADIATOR, VEHICULAR COMPARTMENT HEATER	
3190	UTP1883	7RU/6150-99-730-4930	WIRING HARNESS	
3191	UTP1906	7XD/6150-99-490-7831	WIRING HARNESS, BRANCHED	
3192	UTP1907	7XD/6150-99-479-5331	WIRING HARNESS, BRANCHED	
3193	UTP1908	7XD/6150-99-301-8369	WIRING HARNESS	
3194	UTP2225	7XD/2540-99-832-3425	MOTOR AND FAN ASSEMBLY	
3195	UTP2229	7XD/2540-99-301-7351	MOTOR AND FAN ASSEMBLY	
3196	UUF100060	7XD/2520-99-641-7825	PUSH ROD, CLUTCH	
3197	UYF100160	7XD/5310-99-380-6456	NUT, PLAIN, HEXAGON	
3198	WA103001	G1/5310-99-122-3030	WASHER, FLAT	
3199	WA103001L	G1/5310-99-122-3031	WASHER, FLAT	
3200	WA104001	G1/5310-99-122-3031	WASHER, FLAT	
3201	WA104001L	G1/5310-99-122-3031	WASHER, FLAT	
3202	WA104004L	7XD/5310-99-550-3198	WASHER, FLAT	
3203	WA105001	G1/5310-99-122-3032	WASHER, FLAT	
3204	WA105001L	G1/5310-99-122-3032	WASHER, FLAT	
3205	WA105004	G1/5310-99-122-3032	WASHER, FLAT	
3206	WA106001	G1/5310-99-122-6474	WASHER, FLAT	
3207	WA106001L	G1/5310-99-122-6474	WASHER, FLAT	
3208	WA106041	G1/5310-99-122-6474	WASHER, FLAT	

I T E M N O	Mfr Part Number	Catalogue Number	Item Name	Remarks
3209	WA106041L	7XD/5310-99-215-9928	WASHER, FLAT	
3210	WA106045L	7XD/5310-99-377-4677	WASHER, FLAT	
3211	WA106047L	7XD/5310-99-441-3048	WASHER, FLAT	
3212	WA108001L	7XD/5310-99-219-1814	WASHER, FLAT	
3213	WA108051L	7RU/5310-99-250-8186	WASHER	
3214	WA108054L	7XD/5310-99-858-5500	WASHER, FLAT	
3215	WA108055	7XD/5310-99-365-4170	WASHER, FLAT	
3216	WA110001	G1/5310-99-122-6476	WASHER, FLAT	
3217	WA110001L	G1/5310-99-122-6476	WASHER, FLAT	
3218	WA110061L	G1/5310-99-122-6476	WASHER, FLAT	
3219	WA110065	7XD/5310-99-984-7098	WASHER, FLAT	
3220	WA110068L	7XD/5310-99-569-7642	WASHER, FLAT	
3221	WA112081L	G1/5310-99-122-6477	WASHER, FLAT	
3222	WA120001	G1/5310-99-124-3656	WASHER, FLAT	
3223	WA600091L	G1/5310-99-941-8638	WASHER, FLAT	
3224	WA704061	G1/5310-99-770-1475	WASHER, FLAT	
3225	WB106041L	G1/5310-99-122-3033	WASHER, FLAT	
3226	WB108051	G1/5310-99-122-3034	WASHER, FLAT	
3227	WB108051L	G1/5310-99-122-3034	WASHER, FLAT	
3228	WB112081L	G1/5310-99-122-3036	WASHER, FLAT	
3229	WB120001	7XD/5310-99-152-5238	WASHER, FLAT	
3230	WC104001	G1/5310-99-759-2084	WASHER, FLAT	
3231	WC104001L	G1/5310-99-759-2084	WASHER, FLAT	
3232	WC105001	G1/5310-99-139-0309	WASHER, FLAT	
3233	WC105001L	G1/5310-99-139-0309	WASHER, FLAT	
3234	WC105007	G1/5310-99-624-2854	WASHER, FLAT	
3235	WC106041L	G1/5310-99-139-0070	WASHER, FLAT	
3236	WC106044L	7XD/5310-99-883-8295	WASHER, FLAT	
3237	WC106045	X3/5310-99-208-6440	WASHER, FLAT	
3238	WC106047	G1/5310-99-137-2348	WASHER, FLAT	
3239	WC108051	G1/5310-99-138-7965	WASHER, FLAT	
3240	WC108051L	G1/5310-99-138-7965	WASHER, FLAT	
3241	WC110061L	7RU/5310-99-470-6553	WASHER, FLAT	
3242	WC110067L	7XD/5310-99-464-0160	WASHER, FLAT	
3243	WC112081	G1/5310-99-799-9702	WASHER, FLAT	
3244	WC112081L	G1/5310-99-799-9702	WASHER, FLAT	
3245	WC116101	G1/5310-99-755-2674	WASHER, FLAT	
3246	WC702101	G1/5310-99-941-8543	WASHER, FLAT	
3247	WD112081	7XD/5310-99-955-8470	WASHER, FLAT	
3248	WE104001L	G1/5310-12-126-8096	WASHER, LOCK	
3249	WE105001L	G1/5310-12-146-3828	WASHER, LOCK	
3250	WE106001	7XD/5310-99-977-1871	WASHER, LOCK	
3251	WE108001L	7RU/5310-99-087-4442	WASHER	
3252	WE110001L	7XD/5310-99-851-1507	WASHER, LOCK	
3253	WE114001	7XD/5310-99-563-0752	WASHER, LOCK	
3254	WE600041L	7XD/5310-99-796-7544	WASHER, LOCK	

ITEM NO	Mfr Part Number	Catalogue Number	Item Name	Remarks
3255	WFP102120	7XDW/4720-99-573-6455	TUBING ASSEMBLY, NONMETALLIC	
3256	WFP102130	7XDW/4720-99-573-6456	TUBING ASSEMBLY, NONMETALLIC	
3257	WFP102170	7XDW/4720-99-573-6457	TUBING ASSEMBLY, NONMETALLIC	
3258	WF104001	7FW/5310-99-414-6057	WASHER, LOCK	
3259	WF105001	G1/5310-99-636-2987	WASHER, LOCK	
3260	WF105001L	G1/5310-99-636-2987	WASHER, LOCK	
3261	WF106001L	7XD/5310-99-495-6411	WASHER, LOCK	
3262	WF108004L	7XD/5310-99-781-4202	WASHER, LOCK	
3263	WF110001L	7XD/5310-99-600-3798	WASHER, LOCK	
3264	WF600041L	G1/5310-99-100-6945	WASHER, LOCK	
3265	WF600071L	G1/5310-99-120-6046	WASHER, LOCK	
3266	WF702108	7XD/5310-99-495-6412	WASHER, LOCK	
3267	WF704064	7XD/5310-99-573-7699	WASHER, LOCK	
3268	WJ105001L	7XD/5310-99-256-7025	WASHER, FLAT	
3269	WJ106001L	7ML/5310-99-020-7283	WASHER, FLAT	
3270	WJ110001L	G1/5310-99-785-2434	WASHER, FLAT	
3271	WJ110007L	7XD/5310-99-500-6059	WASHER, FLAT	
3272	WJ600041L	G1/5310-99-948-0345	WASHER, FLAT	
3273	WK606214L	7RU/5310-99-840-0483	WASHER, FINISHING	
3274	WLB100040	7XDW/5330-99-385-8117	SEAL	
3275	WLD100690	7XDW/2590-99-573-6458	CAP, FILLER OPENING	
3276	WLF100060	7XDW/5325-99-879-5105	STUD, TURNLOCK FASTENER	
3277	WL103001L	G1/5310-99-138-9224	WASHER, LOCK	
3278	WL104001	G1/5310-99-977-1102	WASHER, LOCK	
3279	WL104004	7XD/5310-99-495-6413	WASHER, LOCK	
3280	WL105001	G1/5310-99-977-1102	WASHER, LOCK	
3281	WL105001L	G1/5310-99-977-1102	WASHER, LOCK	
3282	WL106001	G1/5310-99-208-6458	WASHER, LOCK	
3283	WL106001L	G1/5310-99-208-6458	WASHER, LOCK	
3284	WL106004L	7RU/5310-99-742-4958	WASHER, LOCK	
3285	WL106007L	7XD/5310-99-700-7215	WASHER, LOCK	
3286	WL106041	7FW/5310-99-966-2649	WASHER, LOCK	
3287	WL106041L	7FW/5310-99-966-2649	WASHER, LOCK	
3288	WL108001L	G1/5310-99-137-9231	WASHER, LOCK	
3289	WL108051L	7RU/5310-99-250-8186	WASHER	
3290	WL110001	7FW/5310-99-302-2421	WASHER, LOCK	
3291	WL110001L	G1/5310-99-138-9228	WASHER, LOCK	
3292	WL112001L	G1/5310-99-138-9229	WASHER, LOCK	
3293	WL600081	G1/5310-99-138-4896	WASHER, LOCK	
3294	WL700101L	7ML/5310-99-135-1017	WASHER, LOCK	
3295	WM110001L	7XD/5310-99-513-3457	WASHER, LOCK	
3296	WM600051L	G1/5310-99-941-6655	WASHER, LOCK	
3297	WM600061	G1/5310-99-941-6656	WASHER, LOCK	
3298	WM702001L	G1/5310-99-941-6653	WASHER, LOCK	

I T E M N O	Mfr Part Number	Catalogue Number	Item Name	Remarks
3299	WND100120	7XDW/2910-99-573-6459	PUMP, FUEL, CAM	
3300	WNP100000	7XDW/4720-99-573-6460	ACTUATED TUBING ASSEMBLY, NONMETALLIC	
3301	WP185L	7RU/5310-99-136-5496	WASHER, FLAT	
3302	XBC105180	7XDW/6220-99-573-6461	HEADLIGHT	
3303	XBD100790	7XDW/6220-99-573-6462	DIRECTIONAL LIGHT, VEHICULAR	
3304	XBD100860	7XDW/6220-99-573-6463	LIGHT, MARKER, CLEARANCE	
3305	XBP100180	7RU/6250-99-225-6181	LAMPHOLDER	
3306	XBS100240	7XDW/6220-99-573-6464	ACTUATOR, HEADLAMP	
3307	XCL100020	7XDW/6220-99-573-6465	HEADLIGHT	
3308	XDD100240	7XDW/6210-99-573-6466	LIGHT, PANEL	
3309	XDL100030	7XDW/6240-99-573-6467	COVER, LAMP	
3310	XFB101540	7XDW/6220-99-573-6468	TAILLIGHT, VEHICULAR	
3311	XFC100630	7XDW/6220-99-573-6469	LIGHT, UTILITY, VEHICULAR	
3312	XFD100070	7XDW/6220-99-573-6470	LIGHT, BACKUP	
3313	XFD100080	7XDW/6220-99-573-6471	DIRECTIONAL LIGHT, VEHICULAR	
3314	XFD100090	7XDW/6220-99-573-6472	STOP LIGHT, VEHICULAR	
3315	XFE100200	7XDW/6220-99-573-6473	LIGHT, FOG	
3316	XFF100080	7XD/9905-99-562-2229	REFLECTOR, INDICATING, CLEARANCE	
3317	XFK100310	7XDW/6220-99-845-0035	COVER, VEHICULAR LIGHT	
3318	XFW100000	7XDW/5340-99-684-3720	PLATE, MOUNTING	
3319	XGB100240	7XDW/6220-99-573-6474	LIGHT, MARKER, CLEARANCE	
3320	XKB100180	7XDW/2540-99-573-6475	SWITCH, STOPLIGHT, AUTOMOTIVE	
3321	XPB101290	7XD/2590-99-908-9306	CONTROL, MULTIFUNCTION, AUTOMOTIVE	
3322	XPH100160	7XDW/5930-99-573-6476	SWITCH BOX	
3323	XPI100000	7XDW/5930-99-573-6477	COVER, ELECTRICAL SWITCH	
3324	YAF100120	7XDW/2510-99-573-6478	HOUSING, PANEL, VEHICULAR OPERATION	
3325	YAV100000	7XDW/2540-99-573-6479	COVER, GAUGE	
3326	YAY100030	7XDW/2540-99-573-6480	COVER, GAUGE	
3327	YBD101710	7XDW/3040-99-573-6482	SHAFT ASSEMBLY, FLEXIBLE	
3328	YEB101250	7XDW/6350-99-573-6483	HORN, SIGNAL	
3329	YGD100960	7XDW/6140-99-573-6484	BATTERY, STORAGE	
3330	YGF100040	7XDW/6140-99-573-6485	VENT TUBE, BATTERY	
3331	YGH100000	7XDW/5340-99-573-6486	PLUG, VENT	
3332	YGJ100010	7XDW/4720-99-990-8246	TUBING, NONMETALLIC	
3333	YHE100000	7XDW/6625-99-573-6487	AMMETER	
3334	YJC100920	7XDW/6160-99-573-6488	TRAY, BATTERY	

I T E M N O	Mfr Part Number	Catalogue Number	Item Name	Remarks
3335	YJC100970	7XDW/6160-99-573-6489	TRAY, BATTERY	
3336	YKR100050	7XDW/5977-99-573-6490	BRUSH, ELECTRICAL	
3337	YLD100080	7XDW/5306-99-573-6491	BOLT, MACHINE	
3338	YLE102240	7XDW/2920-99-573-6492	GENERATOR, ENGINE ACCESSORY	
3339	YLE102250	7XDW/2920-99-573-6493	GENERATOR, ENGINE ACCESSORY	
3340	YLR100170	7XDW/2920-99-573-6494	COVER, ELECTRICAL GENERATOR	
3341	YLR100180	7XDW/2920-99-573-6495	COVER, ELECTRICAL GENERATOR	
3342	YLR100190	7XDW/2920-99-573-6496	COVER, ELECTRICAL GENERATOR	
3343	YLS100080	7XDW/6150-99-573-6497	WIRING HARNESS	
3344	YLS100090	7XDW/2920-99-573-6498	REGULATOR, ENGINE GENERATOR	
3345	YMB102590	7XDW/6150-99-573-6499	WIRING HARNESS, BRANCHED	
3346	YMB102600	7XDW/6150-99-573-6500	WIRING HARNESS, BRANCHED	
3347	YMC135770	7XDW/6150-99-573-6501	WIRING HARNESS, BRANCHED	
3348	YMD112080	7XDW/6150-99-573-6502	WIRING HARNESS, BRANCHED	
3349	YMH100140	7XDW/6150-99-573-6504	WIRING HARNESS, BRANCHED	
3350	YMM109870	7XDW/6150-99-573-6505	WIRING HARNESS, BRANCHED	
3351	YMN102200	7XDW/6150-99-573-6506	WIRING HARNESS, BRANCHED	
3352	YMQ103490	7XDW/6150-99-573-6508	WIRING HARNESS	
3353	YMQ103500	7XDW/6150-99-573-6509	WIRING HARNESS	
3354	YMS100140	7XDW/6150-99-573-6510	LEAD, ELECTRICAL	
3355	YMT100070	7XDW/6150-99-226-7274	WIRING HARNESS	
3356	YMW100610	7XDW/6150-99-573-6511	WIRING HARNESS, BRANCHED	
3357	YMZ101040	7XDW/6150-99-573-6512	WIRING HARNESS	
3358	YMZ101050	7XDW/6150-99-573-6513	WIRING HARNESS	
3359	YNN100040	7XDW/6150-99-573-6514	WIRING HARNESS, BRANCHED	
3360	YNN100050	7XDW/6150-99-573-6515	WIRING HARNESS, BRANCHED	
3361	YNP100000	7XDW/4720-99-412-9016	TUBING, NONMETALLIC	
3362	YOO451PMA	7XD/5340-99-337-1087	HANDLE	
3363	YPC117510	7XDW/5920-99-573-6516	FUSE BOX	
3364	YPF100820	7XDW/5940-99-573-6560	PARTS KIT, TERMINAL STUD	
3365	YPH100230L	7XD/5935-99-957-4388	COVER	
3366	YQB100370	7XDW/2540-99-361-7018	COVER	
3367	YQE103540	7XDW/5920-99-554-2239	FUSEHOLDER	
3368	YQG10007	7XD/5920-99-549-1588	FUSE, INCLOSED LINK	

I T E M N O	Mfr Part Number	Catalogue Number	Item Name	Remarks
3369	YQG10008	7XD/5920-99-702-1782	FUSE, INCLOSED LINK	
3370	YQG10009L	7XD/5920-99-921-7259	FUSE, INCLOSED LINK	
3371	YQG100260	7XDW/5935-99-479-5333	COVER, ELECTRICAL CONNECTOR	
3372	YQH101080	7XD/5340-99-867-0028	COVER, ACCESS	
3373	YQR10016L	7XDW/5340-99-573-6114	STRAP, LINE SUPPORTING	
3374	YQU104550	7XDW/5340-99-910-4450	BRACKET, MOUNTING	
3375	YQX100060	7XDW/5920-99-573-6520	FUSE BOX	
3376	YRE100280	7XD/5905-99-126-5043	RESISTOR	
3377	YSB106920	7XDW/6150-99-573-6521	WIRING HARNESS, BRANCHED	
3378	YSB106940	7XDW/6150-99-573-6522	WIRING HARNESS, BRANCHED	
3379	YSB107190	7XDW/6150-99-573-6523	WIRING HARNESS	
3380	YTA101490	7XDW/6140-99-573-6524	LEAD, STORAGE BATTERY	
3381	YTB101170	7XDW/6140-99-573-6525	LEAD, STORAGE BATTERY	
3382	YTH100000	7XDW/6140-99-573-6526	LEAD, STORAGE BATTERY	
3383	YUF101490	7XD/5930-99-500-3081	SWITCH, TOGGLE	
3384	YUF101500	7XDW/5930-99-650-2446	SWITCH, TOGGLE	
3385	YUF101600	7XDW/5930-99-142-9347	SWITCH, TOGGLE	
3386	YUF101630	7XD/5930-99-870-5297	SWITCH, TOGGLE	
3387	YUF101640	7XD/5930-99-364-2448	SWITCH, TOGGLE	
3388	YUF101830	7XDW/5930-99-573-6527	SWITCH, TOGGLE	
3389	YUG103060	7XD/5930-99-397-9021	SWITCH, ROTARY	
3390	YUK100250	7XDW/5930-99-573-6528	SWITCH, ROTARY	
3391	YUM100160	7XD/5355-99-891-6165	KNOB	
3392	YWB101130	7XDW/5945-99-573-6529	RELAY	
3393	YYC10030L	7XD/5340-99-000-7162	CLIP, SPRING TENSION	
3394	YYD10003	7XD/5340-99-380-6455	STRAP, LINE SUPPORTING	
3395	YZV100310L	7XDW/5970-99-641-7828	INSULATION SLEEVING, ELECTRICAL	
3396	YZV100320L	7XDW/5970-99-201-8359	INSULATION SLEEVING, ELECTRICAL	
3397	YZV100340L	7XDW/5970-99-372-2869	INSULATION SLEEVING, ELECTRICAL	
3398	ZXC9435	7XD/4030-99-338-4683	SHACKLE	
3399	11H1781L	7ML/2540-99-830-2777	PAD, PEDAL	
3400	11011L	6MT9/5305-99-722-5562	SCREW, GRUB	
3401	13H7343	7XD/5340-99-838-7475	CLAMP, LOOP	
3402	150844	6MT3/5340-99-819-8231	MOUNT, RESILIENT	
3403	216962	6MT1/5365-99-910-8333	RING, RETAINING	
3404	217245	7RU/5310-99-138-0321	WASHER, FLAT	
3405	22G1988L	7RU/5340-99-254-7792	PLUNGER, CHANGE SPEED LEVER	
3406	22G1989L	7RU/5360-99-254-7793	SPRING, HELICAL, COMPRESSION	
3407	2205	7XD/5310-99-138-0318	WASHER, FLAT	
3408	2215L	7XD/5310-99-125-2327	WASHER	
3409	2265L	7XD/5310-99-137-8657	WASHER, FLAT	

ITEM NO	Mfr Part Number	Catalogue Number	Item Name	Remarks
3410	232039	7RU/5330-99-850-0226	GASKET	
3411	232042	7RU/5330-99-844-9826	GASKET	
3412	233220	46MT9/5310-99-881-2459	WASHER, FLAT	
3413	233243	7RU/5325-99-895-1817	GROMMET, RUBBER	
3414	234532	6MT1/4730-99-943-9374	LUBRICATING NIPPLE	
3415	235113	6MT1/5325-99-804-8119	GROMMET, RUBBER	
3416	238637L	7XD/5930-99-815-8072	SWITCH, PUSH	
3417	242522	6MT10/5340-99-836-8540	CIRCLIP	
3418	243958	7RU/5330-99-850-0344	GASKET	
3419	247127	7RU/5365-99-850-0459	PLUG, MACHINE THREAD	
3420	253948	G1/5306-99-941-1675	BOLT, MACHINE	
3421	253952	G1/5306-99-941-8136	BOLT, MACHINE	
3422	257450	7RU/5310-99-735-0703	NUT, SELF-LOCKING, HEXAGON	
3423	264024	7RU/5310-99-849-9919	WASHER, FLAT	
3424	264767	6MT9/5310-99-836-5178	WASHER, FLAT	
3425	266945	6MT1/5365-99-910-8281	RING, RETAINING	
3426	269257	7RU/5325-99-828-1011	GROMMET, RUBBER	
3427	269783	7RU/5365-99-849-9642	SPACER, SLEEVE	
3428	27H5311	7XDW/5325-99-451-0256	GROMMET, NONMETALLIC	
3429	272712	7RU/2530-99-849-9645	SHAFT, STRAIGHT	
3430	272713	7RU/2530-99-849-9646	COVER PLATE, ACCESS	
3431	272714	7RU/3120-99-849-9647	BEARING, SLEEVE	
3432	272819	7RU/5330-99-849-9651	GASKET	
3433	273069	7RU/5310-99-895-2066	WASHER, FLAT	
3434	276054	7XD/5325-99-828-1012	GROMMET, RUBBER	
3435	302532	7RU/5310-99-849-8253	NUT, SPECIAL	
3436	3052	7XD/5310-99-801-5567	WASHER, FLAT	
3437	3100	7XD/5305-99-139-8111	SCREW, MACHINE	
3438	3101	G1/5310-99-941-6652	WASHER, LOCK	
3439	320045	7RU/5305-99-123-7828	SCREW, PANEL FASTENER	
3440	3292	6MT1/4730-99-923-5244	PLUG, PIPE	
3441	330618	7XD/2510-99-568-5800	FLOOR, BODY, VEHICULAR	
3442	330953	7RU/5305-99-850-1441	SCREW, MACHINE	
3443	330954	7RU/2510-99-850-1442	SEATING, BALL, HINGE, FRONT DOOR	
3444	330955	7RU/2510-99-850-1443	SPRING, HINGE, FRONT DOOR	
3445	330956	7RU/2510-99-850-1444	WASHER, KEY	
3446	331083	7RU/5325-99-844-9501	GROMMET BLANK, NONMETALLIC	
3447	332146	7RU/5340-99-805-4577	BUMPER, RUBBER	
3448	332582	7RU/2510-99-850-1665	MOUNT, RESILIENT	
3449	333032	7RU/2510-99-850-1849	RETAINER, FIXED WINDOW	
3450	333033	7RU/2510-99-850-1828	RETAINER, FIXED WINDOW	

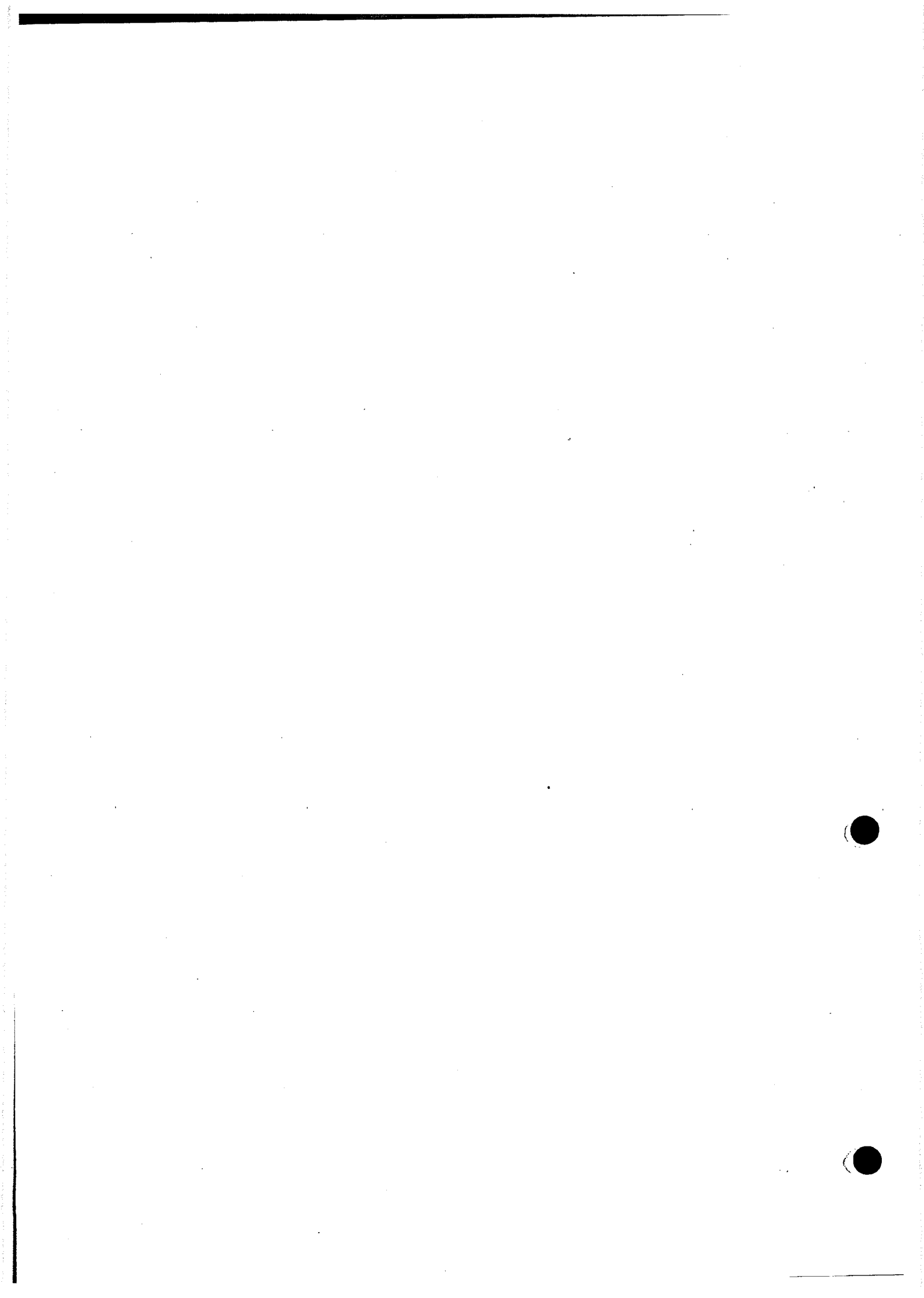
I T E M N O	Mfr Part Number	Catalogue Number	Item Name	Remarks
3451	333034	7RU/2510-99-850-1850	RETAINER, FIXED WINDOW	
3452	333035	7RU/2510-99-850-1851	RETAINER CORNER PIECE	
3453	333036	7RU/2510-99-850-1856	REAR DOOR FIXED LIGHT HINGE, REAR DOOR, UPPER	
3454	333203	7RU/2510-99-850-1858	PROTECTION STRIPX RUBBER SEAL, REAR END DOOR, BOTTOM	
3455	334121	7RU/5320-99-845-0181	RIVET, SPLIT	
3456	335832	7RU/2510-99-808-3400	TREAD PLATE, FLOOR	
3457	336345	7RU/5365-99-850-1381	SPACER, PLATE	
3458	336351	7RU/5310-99-850-1387	WASHER, FLAT	
3459	337812	7XD/2510-99-987-5316	PANEL, BODY, VEHICULAR	
3460	337813	7XD/2510-99-983-0671	PANEL, BODY, VEHICULAR	
3461	338013	6MT1/5340-99-810-8172	PLUG, PROTECTIVE, DUST AND MOISTURE SEAL	
3462	338015	7RU/5340-99-805-4997	PLUG, PROTECTIVE, DUST AND MOISTURE SEAL	
3463	338017	7RU/5325-99-815-8506	GROMMET BLANK, NONMETALLIC	
3464	338021	7XD/5325-99-577-3839	GROMMET BLANK, NONMETALLIC	
3465	338023	G1/5325-99-815-9851	GROMMET BLANK, NONMETALLIC	
3466	338024	7XD/5325-99-828-1013	GROMMET BLANK, NONMETALLIC	
3467	338027	7RU/5325-99-805-4918	GROMMET BLANK, NONMETALLIC	
3468	3409	6MT4/5340-99-805-0925	CLAMP, LOOP	
3469	345662	7XD/5340-99-824-8426	CLIP, CABLE	
3470	345699	7RU/2510-99-820-7552	HOOK, ROPE	
3471	346341	7RU/2540-99-812-5089	HINGE, DOOR, VEHICULAR	
3472	346576	7RU/2510-99-824-3041	CONTROL MECHANISM, VENTILATOR	
3473	346722	7RU/2540-99-824-8007	BRACKET, SUPPORT, STEERING COLUMN	
3474	346849	7RU/2540-99-824-3038	BUSH, BONNET HINGE	
3475	346924	7RU/2540-99-829-0100	LEVER ASSEMBLY, HEATER CONTROL	
3476	346927	7RU/2540-99-824-8618	RETAINER, SLIDE, CHECK STRAP	
3477	346928	7RU/2540-99-824-8619	RETAINER, SLIDE, CHECK STRAP	
3478	346976	7RU/5360-99-824-3471	SPRING, FLAP, HEATER DUCT	
3479	347151	7RU/2540-99-825-4661	SEAL, DOOR LOCK	
3480	347369	7RU/5330-99-824-8467	GASKET	
3481	347436	7RU/2510-99-825-1042	BRACKET, SILL	

ITEM NO	Mfr Part Number	Catalogue Number	Item Name	Remarks
3482	347586	7RU/2540-99-825-4079	LEVER ASSEMBLY, HEATER CONTROL	
3483	348747	7RU/5330-99-805-4367	RUBBER STRIP	
3484	348797	7RU/9905-99-828-4748	NAMEPLATE, SWITCH	
3485	351991	7RU/5360-99-825-6033	SPRING, HELICAL, EXTENSION	
3486	3663	7XD/5310-99-132-1488	WASHER, FLAT	
3487	3682	G1/5310-99-135-7200	WASHER, FLAT	
3488	368816	7XD/5325-99-679-7652	GROMMET BLANK, NONMETALLIC	
3489	37H770	6MT1/5330-99-943-0008	RING, SEALING, TOROIDAL	
3490	37H7920	6MT12/5305-99-824-7535	THUMBSCREW	
3491	37H8119	7XD/5307-99-825-8444	STUD EXTENSION, SHOULDERED	
3492	371144	7XD/2590-99-562-4286	RING, RETENTION, JACK	
3493	372336	7RU/2540-99-740-7377	BASE PLATE, REARVIEW MIRROR	
3494	3900L	7XD/5310-99-849-8006	WASHER, FLAT	
3495	390939	7XD/3120-99-702-1796	ROLLER, LINEAR-ROTARY MOTION	
3496	391287	7RU/5340-99-825-6031	BUMPER, RUBBER	
3497	393218	7XD/2590-99-809-0406	PLATE, ADJUSTING	
3498	395143	7RU/2540-99-824-6204	STAPLE, HOOD STRAP	
3499	395252	7RU/2590-99-779-3857	ANCHOR BRACKET	
3500	395481	7RU/2510-99-824-8456	BUFFER, CHECK STRAP	
3501	395538	7RU/2510-99-824-8455	STRAP ASSEMBLY, DOOR CHECK	
3502	395829	7RU/2540-99-825-4080	DUCT, HEATER	
3503	395830	7RU/2540-99-825-4081	DUCT, HEATER	
3504	396112	7RU/2540-99-827-5425	CHANNEL, EQUIPMENT RACK	
3505	4075	7RU/5310-99-137-7185	WASHER	
3506	4075L	7RU/5310-99-137-7185	WASHER	
3507	4868	7RU/5310-99-829-4708	WASHER, FLAT	
3508	4905	7XD/5310-99-138-0364	WASHER, FLAT	
3509	500447	7RU/2910-99-806-7464	BUMPER, RUBBER	
3510	500918	X5/6240-99-995-1297	LAMP, INCANDESCENT	
3511	501593	7RU/5315-99-850-1611	PIN, STRAIGHT, HEADLESS	
3512	502116	7RU/5315-99-849-9366	PIN, SHOULDER, HEADLESS	
3513	502473	7RU/2805-99-804-6596	GUIDE, ENGINE POPPET VALVE TAPPET	
3514	502951	7RU/9905-99-776-9655	PLATE, IDENTIFICATION	
3515	50446	G1/5315-99-942-3567	PIN, GROOVED, HEADLESS	
3516	50639	6MT4/5340-99-805-0923	CLAMP, LOOP	
3517	50642	46MT4/5340-99-805-0915	CLAMP, LOOP	
3518	508035	7RU/5340-99-844-9595	CLIP, SPRING TENSION	
3519	509045P	7RU/5306-99-755-7762	BOLT, MACHINE	

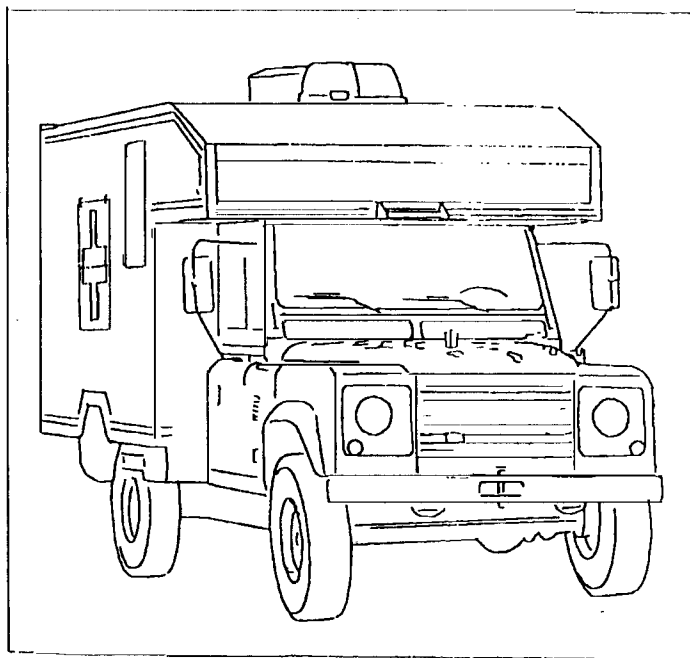
I T E M N O	Mfr Part Number	Catalogue Number	Item Name	Remarks
3520	51K4001L	7ML/5306-99-136-6545	BOLT, SHEAR	
3521	512650	6MT9/4730-99-836-5244	ADAPTER, STRAIGHT, PIPE TO TUBE	
3522	517689	6MT12/5365-99-801-4379	PLUG, SCREWED	
3523	517706	6MT1/5365-99-801-4380	SPACER, RING	
3524	519965	6MT1/5330-99-625-1886	GASKET	
3525	522940	6MT1/5330-99-802-2684	GASKET	
3526	524765	7RU/5340-99-873-8095	PLUG, EXPANSION	
3527	525497	7RU/5340-99-806-2193	PLUG, EXPANSION	
3528	53K3039L	7RU/5310-99-256-3657	NUT	
3529	531587	6MT4/5940-99-805-1311	TERMINAL, LUG	
3530	531588	7XD/5940-99-820-7566	TERMINAL, RADIO BATTERY	
3531	531689	Z99/5325-99-408-2874	GROMMET, PLASTIC	
3532	533765	7RU/5330-99-823-8016	RETAINER, PACKING	
3533	536126	6MT4/5935-99-805-2694	INSERT, ELECTRICAL SOCKET	
3534	538131	7RU/2805-99-810-0762	WASHER, THRUST	
3535	538132	7RU/2805-99-810-0763	WASHER, THRUST	
3536	539706	6MT7/3110-99-836-6765	BEARING, TAPERED, ROLLER	
3537	539707	6MT7/3110-99-824-9348	BEARING, TAPERED, ROLLER	
3538	539745	7RU/5365-99-874-0267	SPACER, SLEEVE	
3539	543819	7RU/5310-99-807-3230	WASHER, SHOULDERED AND RECESSED	
3540	546799	7RU/2815-99-806-8897	PUSH ROD, ENGINE POPPET VALVE	
3541	549229	7RU/4930-99-208-9923	LUBRICATOR	
3542	549473	6MT1/5365-99-809-6586	RING, RETAINING	
3543	550732	6MT9/2530-99-809-1064	CYLINDER ASSEMBLY, HYDRAULIC BRAKE, MASTER	
3544	551508	6MT4/5930-99-809-3098	SWITCH, ROTARY	
3545	552647	6MT4/5940-99-108-5445	POST, BINDING, ELECTRICAL	
3546	552648	6MT4/5940-99-970-2894	POST, BINDING, ELECTRICAL	
3547	552770	6MT4/6140-99-828-0874	LEAD, ELECTRICAL	
3548	552819	7RU/5340-99-809-1703	BUSHING, RUBBER	
3549	555711	6MT1/5325-99-808-3203	GROMMET, RUBBER	
3550	559247	6MT1/2910-99-828-5390	LOCKING RING	
3551	561196	7RU/2530-99-810-2125	STUD, WHEEL	
3552	562481	7RU/5315-99-824-6606	PIN, STRAIGHT, HEADED	
3553	564813	7RU/2540-99-824-2742	SHAFT, STRAIGHT	
3554	564816	6MT1/3120-99-819-1851	BEARING, SLEEVE	
3555	568431	7RU/2815-99-810-9594	RING, STARTER, FLYWHEEL	
3556	568680	6MT1/5340-99-195-5122	STRAP, LINE SUPPORTING	
3557	568858	7RU/5340-99-807-3231	BUSHING, NONMETALLIC	

ITEM NO	Mfr Part Number	Catalogue Number	Item Name	Remarks
3558	568883	7RU/5315-99-808-4986	PIN, STRAIGHT, HEADLESS	
3559	569291	7RU/5360-99-824-2748	SPRING, HELICAL, EXTENSION	
3560	570753	7RU/2540-99-701-7788	FLANGE FINISHER	
3561	571134	7RU/5315-99-823-8751	PIN, STRAIGHT, HEADED	
3562	571146	6MT7/3110-99-805-9065	BALL, BEARING	
3563	571468	7RU/5310-99-138-4883	WASHER, RECESSED	
3564	571536	7RU/5307-99-137-4409	STUD, PLAIN	
3565	571665	6MT1/5330-99-810-5080	RING, SEALING, TOROIDAL	
3566	571682	6MT1/5365-99-910-8251	RING, RETAINING	
3567	571752	7RU/5330-99-825-2742	GASKET, HUB DRIVING SHAFT	
3568	571755	7RU/5340-99-807-1832	PLATE, RETAINING, SEAL	
3569	572077	7RU/5365-99-138-0263	SPACER, PLATE	
3570	572087	7RU/2540-99-720-8126	SECURING RING, BRACKET	
3571	572312	7RU/2930-99-825-6069	GROMMET, RADIATOR	
3572	572548	7RU/4730-99-823-2381	CLAMP, HOSE	
3573	573246	Z1/5340-99-970-2330	STRAP, LINE SUPPORTING	
3574	573256	46MT1/5340-99-661-9340	STRAP, LINE SUPPORTING	
3575	575047	6MT3/2540-99-809-7059	CASING, OUTER	
3576	576159	G1/5315-12-126-6724	PIN, SPRING	
3577	576643	7RU/5365-99-825-6066	SLEEVE, GEAR LEVER	
3578	577873	7XD/5340-99-056-3750	CLAMP, LOOP	
3579	577898	7RU/2530-99-813-0203	CLIP, STEERING ROD	
3580	579114	7XD/2540-99-825-5440	BRACKET, AMMETER LIGHT	
3581	589151	Z32/5920-99-222-2369	FUSE LINK, CARTRIDGE	
3582	589254	7XD/5325-99-169-0080	GROMMET, RUBBER	
3583	592773	7RU/5340-99-827-6558	CLAMP, RETAINING	
3584	593693	7RU/5310-99-137-3594	WASHER, FLAT	
3585	594091	6MT9/2530-99-802-3999	EXCLUDER, DUST	
3586	594594	7RU/5340-99-829-4908	STRAP, LINE SUPPORTING	
3587	594637	7RU/2540-99-825-4922	SADDLE CLIP	
3588	595199	7RU/5310-99-728-6146	WASHER, FLAT	
3589	595478	7RU/4730-99-137-6379	BOLT, FLUID PASSAGE	
3590	597586	7RU/5340-99-824-7854	PLUG, CUP	
3591	598701	7RU/6220-99-764-0831	WARNING LABEL, 24 VOLTS SUPPLY	
3592	599552	7RU/5365-99-823-7203	PLUG, SCREWED, MAGNETIC	
3593	599945	7RU/2520-99-824-3931	SHAFT, STRAIGHT	
3594	600265	7RU/5310-99-137-8241	WASHER	
3595	605011	7RU/5330-99-829-4960	GASKET	
3596	606474	6MT7/3110-99-822-1456	BEARING, ROLLER, TAPERED	
3597	606666	6MT7/3110-99-950-8998	BEARING, TAPERED, ROLLER	

I T E M N O	Mfr Part Number	Catalogue Number	Item Name	Remarks
3598	606733	7XD/4820-99-880-0032	VALVE, BLEEDER, HYDRAULIC SYSTEM	
3599	608065	7RU/5330-99-004-1015	SEAL	
3600	608246	6MT10/4730-99-823-7480	PLUG, PIPE	
3601	61K738	7FW/2520-99-874-1494	COVER, CLUTCH PEDAL	
3602	622324	7RU/5340-99-796-7486	CLAMP, LOOP	
3603	624091	7RU/2540-99-825-0861	ADAPTOR, HEATER	
3604	6395L	7XD/5315-99-364-0152	PIN, STRAIGHT, HEADED	
3605	70667	7XD/5305-99-513-2244	SCREW	
3606	73037	7RU/5340-99-562-2725	CLIP, RETAINING	
3607	77701	G1/5305-99-941-9195	SCREW, MACHINE	
3608	78159	7RU/9320-99-440-7619	GLAZING STRIP	
3609	78227	7XD/5305-99-124-8910	SCREW, TAPPING, THREAD FORMING	
3610	78248	G1/5320-99-970-3518	RIVET, BLIND	
3611	79004	7XD/5305-99-142-7620	SCREW, TAPPING, THREAD FORMING	
3612	79027	7XD/5305-99-819-1731	SCREW, TAPPING, THREAD FORMING	
3613	79051	G1/5310-99-138-0422	SHIELD, EXPANSION	
3614	79121	7RU/2910-99-825-6380	PIPE CLIP, PLASTICS	
3615	79122	6MT1/5340-99-836-0079	STRAP, RETAINING	
3616	79123	7RU/2910-99-825-6359	PIPE CLIP, PLASTICS	
3617	79124	7RU/5340-99-824-3943	CLIP, PIPE	
3618	79127	7RU/2530-99-825-6920	PIPE CLIP, PLASTICS	
3619	79158	7XD/5340-99-241-5580	CLIP, SPRING TENSION	
3620	79198	7RU/5340-99-824-3472	CLIP, TUBULAR	
3621	79281	7XD/5320-99-139-3661	PIN-RIVET, GROOVED	
3622	79283	7RU/5320-99-138-8823	PIN-RIVET, GROOVED	
3623	79293	7XD/5320-99-138-8824	PIN-RIVET, GROOVED	
3624	8G8587L	7XD/2530-99-301-6705	PARTS KIT, CALIPER, DISC BRAKE	
3625	8G8837L	6MT9/2530-99-824-0663	PARTS KIT, HYDRAULIC BRAKE WHEEL CYLINDER ASSEMBLY	
3626	8566L	7RU/3120-99-850-0035	BEARING, SLEEVE	
3627	90508545	7RU/5340-99-805-8623	BUSHING, RUBBER	
3628	90513454	7RU/5310-99-805-4558	WASHER, FLAT	
3629	90519055	7RU/3120-99-844-9929	BEARING, SLEEVE	
3630	90575597	7RU/5310-99-721-3502	WASHER, FINISHING	
3631	90576928	7XD/2530-99-605-8221	PLATE, LOCKING	



PARTS CATALOGUE



Part No. STC9038 F F

JULY 1999

Whilst every effort is made to ensure the accuracy of the particulars contained in this Catalogue, modifications and vehicle specification changes may affect the information specified. No responsibility is accepted for the incorrect supply of parts or any other consequence that may arise as a result of information in this Catalogue not being in accord with modifications or vehicle specification changes which are subsequent to the date of this catalogue. Also no responsibility is accepted for the incorrect supply of parts or any other consequence that may arise as a result of any misinterpretation of the information specified in this Catalogue.

© LAND ROVER UK LTD 1999

All rights reserved. No part of this publication may be reproduced, stored in a retrieval system or transmitted, in any form, electronic, mechanical, photocopying, recording or other means without prior written permission from Land Rover Ltd

DEFENDER XD ALL VARIANTS

Contract LV2A/O88 Items 5-9, 11-17, 19-23, 25-29, 32, 33 & 35-42

Contract LV2B/179 Items 1-6



CONTRACT LV2A/088	
Item No	Defender Type
5	XD90 (TUL) HS GS SOFT TOP
6.1	XD90 (TUL) HS FFR HARD TOP
6.2	XD90 (TUL) HS FFR SOFT TOP
7	XD110 (TUM) HS GS SOFT TOP
8	XD110 (TUM) HS FFR SOFT TOP
9	XD110 (TUM) HS FFR HARD TOP
11	XD90 (TUL) HS GS SOFT TOP
12	XD90 (TUL) HS FFR HARD TOP
13	XD90 (TUL) HS FFR SOFT TOP
14	XD110 (TUM) HS GS SOFT TOP
15	XD110 (TUM) HS GS HARD TOP
16	XD110 (TUM) HS FFR HARD TOP
17	XD110 (TUM) HS FFR SOFT TOP
19	XD110 (TUM) HS FFR HARD TOP
20.1	XD90 (TUL) HS GS SOFT TOP
20.2	XD90 (TUL) HS GS SOFT TOP
21	XD90 (TUL) HS GS HARD TOP
22	XD90 (TUL) HS FFR HARD TOP
23	XD90 (TUL) HS FFR SOFT TOP

25.1	XD110 (TUM) HS GS SOFT TOP
25.2	XD110 (TUM) HS GS SOFT TOP
25.3	XD110 (TUM) HS GS SOFT TOP
26	XD110 (TUM) HS GS HARD TOP
27.1	XD110 (TUM) HS FFR HARD TOP
27.2	XD110 (TUM) HS FFR HARD TOP
28.1	XD110 (TUM) HS FFR SOFT TOP
28.2	XD110 (TUM) HS FFR SOFT TOP
29	XD110 (TUM) HS FFR HARD TOP
32	XD110 (TUM) HS FFR HARD TOP
33	XD110 (TUM) HS FFR HARD TOP
35.1	XD90 (TUL) HS GS SOFT TOP WINTER/WATER
35.2	XD90 (TUL) HS GS SOFT TOP WINTER/WATER
36	XD90 (TUL) HS GS HARD TOP WINTER
37.1	XD90 (TUL) HS FFR HARD TOP WINTER/WATER
37.2	XD90 (TUL) HS FFR HARD TOP WINTER/WATER
38	XD110 (TUM) HS GS HARD TOP WINTER/WATER
39.1	XD110 (TUM) HS GS SOFT TOP WINTER/WATER
39.2	XD110 (TUM) HS GS SOFT TOP WINTER/WATER
40.1	XD110 (TUM) HS FFR HARD TOP WINTER/WATER
40.2	XD110 (TUM) HS FFR HARD TOP WINTER/WATER
41	XD110 (TUM) HS HELICOPTER SUPPORT
42	XD110 (TUM) HS HELICOPTER SUPPORT WINTER





CONTRACT LV2B/179	
Item No	Defender Type
1.1	XD130 AMBULANCE RH Stg
1.2	XD130 AMBULANCE RH Stg
1.3	XD130 AMBULANCE RH Stg
2	XD130 AMBULANCE LH Stg
3	XD130 AMBULANCE RH Stg
4	XD130 AMBULANCE LH Stg
5	XD130 AMBULANCE RH Stg TROPICAL
6	XD130 AMBULANCE RH Stg WINTER





MAJOR UNIT SERIAL NUMBER IDENTIFICATION

ENGINE	PREFIX	15L	300TDI 2.5 DIESEL
	PREFIX	25L	300TDI 2.5 DIESEL EGR
GEARBOX	PREFIX	58A	R380 5 SPEED MANUAL-COOLED
TRANSFERBOX	PREFIX	22D	LT230T PERMANENT FOUR WHEEL DRIVE
	PREFIX	43D	LT230TE PERMANENT FOUR WHEEL DRIVE
FRONT AXLE	PREFIX	65L	3.54:1 EXTRA DUTY-RH Stg
	PREFIX	66L	3.54:1 EXTRA DUTY-LH Stg
REAR AXLE	PREFIX	41S	3.54:1 EXTRA DUTY-90
	PREFIX	48S	3.54:1 EXTRA DUTY-110

NOTE: XD130 AMBULANCE IS BASED ON XD110 SPECIFICATION. UNIQUE FEATURES ARE SHOWN ON DEDICATED CATALOGUE PAGES.
BODY NUMBER IDENTIFICATION PLATES ARE FITTED IN REAR BODY AND DRIVER'S COMPARTMENT



A

Accelerator cable	144
Accelerator cable	144
Accelerator pedal	143
Actuator headlamp	228
Actuator headlamp	229
Adaptor assembly filter	31
Adaptor duct	448
Adaptor pipe oil drain	46
Adaptor pipe oil feed	46
Adhesive bostik 1ga516	391
Adhesive bostik 1ga516	393
Adhesive bostik 1ga516	404
Adhesive bostik 2402	436
Adhesive permabond f241	391
Adhesive permabond f241	393
Adhesive permabond f241	396
Adhesive permabond f241	399
Adhesive 3m spray 90	410
Adhesive 3m spray 90	412
Adhesive 3m spray 90	413
Air box assembly	207
Air cleaner	176
Air cleaner - waterproof	177
Air cleaner assembly	176
Air cleaner assembly	177
Air cleaner mountings	178
Air cleaner vent harness - waterp	179
Air conditioning - compressor - t	50
Air conditioning - idler pulleys	51
Air filter element	176
Air intake	174
Air intake - raised - waterproof	175
Alternator - bracket - pulleys &	55
Alternator - single - lower	52 - 53
Alternator - twin - upper (fir)	54
Alternator 24 volt	52
Alternator 24 volt	53
Alternator 24 volt	54
Ammeter (100-0-100)	297
Amplifier siren 24v	293
Amplifier siren 24v	488
Anchorage assy s/belt	473
Anchorage rear seat	463
Angle corner protctn lh	374
Angle corner protctn rh	374
Angle filler bottom lh	392
Angle filler bottom rh	392
Anti-roll bar front	123
Anti-roll bar rear	129
Arm assy sprung support	412
Arm assy sprung support	413
Arm differential lock	89
Arm tensioner	51
Arm tensioner	55
Arm wiper	312
Arm wiper	314
Arm wiper	318
Arm wiper	319
Ashtray	450
Auxiliary dash panel	277
Auxiliary heater - air intake & e	211
Auxiliary heater - battery compar	214
Auxiliary heater - control system	217
Auxiliary heater - heater assembl	208 - 209
Auxiliary heater - heater fuel su	210
Auxiliary heater - heater hoses -	213
Auxiliary heater - rear body - wi	215 - 216
Auxiliary heater - thermostatic v	212
Axle assembly front	96
Axle assembly front	96
Axle assembly rear	105
Axle assembly rear	106
Axle case front	97
Axle case rear	107
Axle case rear	108
Axle stub	102
Axle stub	114
Axle stub	115

B

Backrest	464
Backrest assembly	465
Backrest assembly	466
Badge - land rover	427
Badge land rover	447
Badge land rover	448
Badge land rover	448
Bag pvc misc items	495
Bag snow covers	424
Bag snow covers	425
Bag stowage components	494
Bag stowage main/stay	494
Ball detent	73
Ball joint	126
Ball joint and link assy	129
Ball joint assembly	123
Ball joint assembly	137
Ball joint assembly lh	137
Bar kit retention	340
Bar kit retention	340
Bar protection under-ride	331
Barrel lock and key	370
Batten seatbase packer	465
Battery dry type 027h	244
Battery fixings	245
Battery radio - uk6tn	302
Battery vented type 027w	244
Battery wet type 027h	244
Beacon assembly blue	238
Beacon assembly blue	488
Bearing clutch release	60
Bearing differential	100
Bearing differential	112
Bearing differential	113
Bearing hub	103
Bearing hub	114
Bearing hub	115
Bearing layshaft front	72
Bearing layshaft rear	72
Bearing layshaft rear	72
Bearing mainshaft	70
Bearing needle	70
Bearing needle	72
Bearing pinion	100
Bearing pinion	111
Bearing pinion	112
Bearing pinion	113
Bearing set main .010 u/s	23
Bearing set main standard	23
Bearing taper roller	64
Bell housing	65
Belt drive	30
Belt drive air-con	50
Belt drive altr ffr	55
Belt timing	28
Bin kit stowage	420
Bin stowage lh	454
Bin stowage rh	454
Blackout assembly	399
Blade wiper	312
Blade wiper	314
Blade wiper	318
Blade wiper	319
Bleed nipple	157
Bleed nipple	158
Blind windscreen	424
Blind windscreen	425
Blower assembly	207
Blower motor	205
Blower unit	223
Blue light & siren kit	488
Board table top	301
Body mountings - ambulance	392
Body panels - ambulance	390 - 391
Body rear lower assembly	375
Body rear lower assembly	376
Bodyside assembly lh	375
Bodyside assembly lh	376
Bodyside assembly rh	375
Bodyside assembly rh	376
Bolt banjo spill rail	43
Bolt battery terminal	244
Bolt catch & rod assy	394
Bolt crankshaft	23
Bolt propshaft	83
Bolt retaining pick head	478
Bonnet	351
Bonnet assembly	351
Bonnet release safety catch	350
Bonnet roadplate - ambulance	352
Boot breather vented	150
Box assembly terminal	307
Box assy column switch	273
Box fuse	255
Box radio battery	301
Box stowage	490
Box terminal	306
Box terminal	306
Box terminal waterproof	307
Brace roll protect lh	442
Brace roll protect rh	442
Bracket a/con compressor	50
Bracket anchorage	392
Bracket antenna support	299
Bracket assembly mounting	209
Bracket assy double	473
Bracket assy single	473
Bracket assy wheel chock	479
Bracket ball joint	126
Bracket body mount rear	379
Bracket body mount rear	381
Bracket body mounting	380
Bracket body mounting	381
Bracket body support	324
Bracket c spanner lh	325
Bracket c spanner lh	325
Bracket c spanner rh	325
Bracket c spanner rh	325
Bracket cylinder support	419
Bracket engine mount lh	326
Bracket fire extinguisher	479



C - Continued

Catch window rh	362	Condenser assembly - tropical amb	218	Cover licence plt lamp	494	Cushion front seat	461
Cavity wax dinol 3654	325	Connector grounding	308	Cover lock	455	Cyclone breather - 300tdi	37
Centre console - waterproof	278 - 280	Connector grounding	494	Cover lock rh	454	Cylinder block - 300tdi	21
Channel drain lh	438	Connector water outlet	39	Cover mechanism lh	461	Cylinder block assembly	21
Channel drain rh	438	Console assembly	278	Cover mechanism rh	461	Cylinder head - 300tdi	32 - 33
Channel equipment rack	300	Constant velocity joint	101	Cover plate batt breather	304	Cylinder head assembly	32
Charging cable - helicopter suppo	489	Container spray	495	Cover plt output	78		
Chassis assembly	322	Control assembly heater	199	Cover radiator	424		
Chassis assembly	323	Control system - tropical ambulan	225	Cover radiator	425		
Chassis assembly	324	Control ventilator	334	Cover rear window	424		
Chassis frame - ambulance	324	Cooling fan - 300tdi	30	Cover rear wiper motor	455		
Chassis frame - 110	323	Cord 6mm x 10m	495	Cover side breather	37		
Chassis frame - 90	322	Coupling q/r female	210	Cover side window	424		
Chassis front quarter lh	325	Coupling q/r male	208	Cover side window lh	425		
Chassis front quarter rh	325	Cover	451	Cover side window rh	425		
Chassis repair sections	325	Cover & lanyard map lamp	494	Cover squab	461		
Checkstrap	365	Cover air intake lh	200	Cover squab	463		
Checkstrap rod door	359	Cover assy seat cushion	494	Cover tailgate	456		
Chock road wheel	481	Cover assy seat squab	494	Cover tunnel rubber	458		
Chock roadwheel	482	Cover battery access	339	Cover tunnel rubber	459		
Circlip	70	Cover brake reservoir	494	Cover wheelarch rear lh	459		
Circuit breaker 10a	281	Cover canvas	420	Cover wheelarch rear rh	459		
Circuit breaker 20a	281	Cover canvas	420	Cover wiper motor	313		
Circuit breaker 30a	281	Cover centre	339	Cover wiper motor	451		
Circuit breaker 5a	281	Cover centre console	494	Cowl instrument	449		
Clamp battery	245	Cover clutch reservoir	494	Crankshaft	23		
Clamp spare wheel	435	Cover column switch	494	Crankshaft - 300tdi	23		
Clamp wire rope 5mm	491	Cover cushion	461	Crash pad upper	446		
Clip firtree	454	Cover cushion	463	Cross bar	492		
Clip fuel pipe 10mm	208	Cover diagnostic plug	289	Cross bar ski rack	421		
Clip fuel pipe 10mm	210	Cover end lh	215	Cross bar ski rack	421		
Clip heater exhaust cap	494	Cover end rh	215	Cross brace lh	349		
Clip rifle barrel	475	Cover escape hatch	405	Cross brace rh	349		
Clip rifle butt	475	Cover escape hatch	406	Crossmember	382		
Clip spring loaded	491	Cover front engine	26	Crossmember assembly rear	325		
Clutch cover	57	Cover front engine	26	Crossmember assembly rear	325		
Clutch master cylinder and pipes	147	Cover front floor lh	458	Crossmember centre	325		
Clutch pedal	145	Cover front floor lh	459	Crossmember detachable	322		
Clutch plate	57	Cover front floor rh	458	Crossmember detachable	323		
Clutch release mechanism	60	Cover front floor rh	459	Crossmember detachable	324		
Column antenna support	299	Cover front gearbox	67	Crossmember detachable	324		
Column cowl lower	132	Cover fuel tank/tool box	339	Crossmember front	325		
Column cowl upper	132	Cover fusebox	452	Crossmember/spacer floor	379		
Column steering	131	Cover grommet mtg bracket	455	Crossmember/spacer floor	382		
Column top support	133	Cover harness rear door	383	Crownwheel and pinion	100		
Compressor air-con	50	Cover head protection	443	Crownwheel and pinion	112		
Con rod assembly	24	Cover head protection	444	Crownwheel and pinion	113		
Condenser assembly	218	Cover lamp number plate	235	Cushion	464		

D

D shackle	491
Damper steering assembly	138
Damper torque	23
Dash assembly	333
Dash assembly	333 - 334
Dc/dc converter assy	225
Dc/dc converter assy	282
Docal half cross	390
Delay unit wiper	286
Demister outlet	446
Demisters and outlet flaps	201
Diff case	100
Diff case	112
Diff case	113
Differential	80
Differential assembly	80
Differential assembly	98
Differential assembly	109
Disc brake rear	158
Disc brake rear	159
Disc brake vented	157
Disc brakes - front	157
Disc brakes - rear - 110	159
Disc brakes - rear - 90	158
Disc luminous	466
Dog clutch diff lock	85
Door - front	454
Door - rear end	455
Door assembly bulkhead	396
Door assembly fuel filter	424
Door assembly fuel filter	425
Door assembly lh	358
Door assembly rh	358
Door battery box	301
Door pull	454
Door rear end	363
Door rear end lh	393
Door rear end rh	393





G

Gaiter assembly	92	Gear 5th speed	70	Handle door plastic	455	Harness link wiper motor	313
Gaiter gearlever	335	Gear 5th speed	72	Handle exterior dish	394	Harness main	248
Gasket cable entry	278	Gearbox assmbly	59	Handle grab	417	Harness main	248 - 249
Gasket cover plate	27	Gearbox assembly - 5 speed - manu	59	Handle grab panel end	448	Harness main	250
Gasket cyl head 1.3mm	32	Gearbox diaphragm & tunnel	335	Handle jack 2 piece	481	Harness main - waterproof	250 - 251
Gasket cyl head 1.4mm	32	Gearcase	61	Handle jack 2 piece	482	Harness pressure switch	220
Gasket cyl head 1.5mm	32	Gearcase	61 - 64	Handle seat recline	461	Harness radio charging	251
Gasket cyl head 1.6mm	32	Glass laminated clear	356	Harness - anchorage - front seats	470 - 471	Harness rear body	259
Gasket cylinder block	21	Glass tinted	399	Harness - anchorage - front seats	472	Harness rear end door	270
Gasket exhaust	181	Glow plug	32	Harness - anchorage - rear seats	473	Harness rear end door - winterise	270
Gasket exhaust	182	Glow plug timer	284	Harness - front seats	467	Harness resistor pack	268
Gasket front cover	26	Grab handle lh	446	Harness - rear seats	468	Harness resistor pack	269
Gasket fuel pump	42	Grab handle rh	446	Harness - rear seats - ambulance	469	Harness secondary	252
Gasket fuel pump	43	Grease one shot cartridge	102	Harness alternator link	262	Harness siren & beacon	488
Gasket headlamp	228	Grease waterproof dc111	230	Harness alternator link	263	Harness supplementary - ambulance	252
Gasket headlamp	229	Grease waterproof dc111	232	Harness assembly main	250	Harness ventilation	179
Gasket kits - 300tdi	47	Grease waterproof dc111	233	Harness blanking brake	494	Hatch assembly	396
Gasket manifold	40	Grease waterproof dc111	235	Harness body rear	259	Head restraint vinyl	461
Gasket oil drain pipe	46	Grease waterproof dc111	237	Harness chassis	256	Header rail	438
Gasket oil filter housing	31	Grease waterproof dc111	308	Harness chassis	256	Header rail & drain channels	438
Gasket rocker cover	36	Grease waterproof dc4	228	Harness chassis	257	Headlamp assembly	228
Gasket starter motor	56	Grease waterproof dc4	229	Harness chassis - ambulance	257	Headlamp assbly	229
Gasket thermostat housing	39	Grille	347	Harness column switches	273	Heat exchanger	205
Gasket vacuum pump	48	Grille air intake lh	174	Harness converter link	225	Heater air intake snow cover - wi	200
Gasket water inlet	29	Grille air intake rh	174	Harness convoy lamp	258	Heater assbly	196 - 197
Gasket water pump	29	Grille ventilator	417	Harness convoy lamp	258	Heater assembly	203
Gateplate gear selector	66	Grommet antenna lead	299	Harness egr	266	Heater assembly 24v	196
Gauge fuel	294	Grommet blanking	275	Harness egr	266	Heater components	198
Gauge fuel	296	Grommet convolute	270	Harness engine	261	Heater controls	199
Gauge water temperature	294	Guard air-con belt	50	Harness engine	261	Heater pipes	202
Gauge water temperature	296	Guard pipes locker	221	Harness engine - alternator links	262 - 264	Heater unit engine	208
Gear assembly reverse	70	Guard pipes rifle butt	221	Harness engine bay a/c	225	Heatshield manifold	40
Gear change	88	Guard pipes underbody	221	Harness evaporator unit	225	Highflow gears	87
Gear change assembly	88	Guard plate steering	330	Harness l/box to term box	265	Hinge	393
Gear idler	72	Guard wire mesh	348	Harness ffr charging	265	Hinge assembly lh	359
Gear intermediate	82	Gudgeon pin	24	Harness ffr charging interlink	265	Hinge assembly rh	359
Gear knob high-low	88	Guide release bearing	60	Harness front wing lh	251	Hinge assy door centre	364
Gear lever	74	Guide runner	394	Harness front wing rh	251	Hinge assy door lower	364
Gear lever high-low	88	Guide valve	32	Harness fuel pump	210	Hinge assy door upper	364
Gear lever lower	74			Harness fuel system - 90	260	Hinge bonnet	351
Gear lever upper	74			Harness fuel tank	260	Hinge butt	396
Gear mainshaft 26 tooth	81			Harness glow plug	205	Hinge tailgate	371
Gear output high	87	Halfshaft assembly lh	101	Harness headlamp level resistor	268	Holder flag rear	388
Gear output low	87	Halfshaft assembly rh	101	Harness headlamp level resistor -	269	Holder fuse	253
Gear reverse	72	Hand throttle control	148	Harness heater fuel pump	252	Holder fuse	280
Gear 1st speed	68	Handbook waterproofing	495	Harness heater power	252	Holder infusion bottle	417
Gear 2nd speed	68	Handbrake assembly	160	Harness heater rheostat	252	Hood assembly - 110	440
Gear 3rd speed	69	Handbrake cable	161	Harness heater switch	252	Hood assembly - 90	439
		Handbrake lever	160	Harness instrument	267	Hood full length green	439
		Handle door metal	455	Harness instrument	267	Hood full length green	440
				Harness instrument	296	Hood lining - winterised	441

H



L - Continued

Label warning diff lock	332	Lead battery negative	303
Label warning heater	282	Lead battery positive	303
Label warning rad plug	332	Lead bonding radio table	302
Label water	404	Lead bonding 250mm	309
Label window catch lh	362	Lead bonding 250mm	311
Label window release	399	Lead bonding 400mm	309
Label 12 volt	283	Lead earth	306
Label 24 volt	283	Lead extension	243
Label 40 psi	332	Lead inter terminal	306
Label 65 psi	332	Lead negative to earth	307
Labels	332	Lead radio antenna	299
Lable fuel stowage	402	Lead terminal lead	251
Lable water stowage	402	Lead terminal neg to neg	307
Ladder roof access	493	Lead terminal pos to pos	307
Lamp c/w blue lens	241	Lead terminal to shunt	306
Lamp convoy	237	Lead tuam control	299
Lamp flood	243	Lead 12v	282
Lamp fog	233	Lens blue	238
Lamp guard	423	Lens side reproator	231
Lamp guards - front	423	Level plug	78
Lamp indicator front	230	Lever brake shoe	90
Lamp indicator rear	233	Lever clutch release	60
Lamp inspection	243	Lever fan control	199
Lamp interior	241	Lid ventilator lh	334
Lamp map reading	239	Lid ventilator rh	334
Lamp map reading	239	Light unit	228
Lamp map reading	240	Link bottom	124
Lamp map reading - waterproof	240	Link bottom	125
Lamp number plate	234	Link lead actuator	228
Lamp reversing	233	Link lead actuator	229
Lamp side	230	Link top rh	126
Lamp side repeater	232	Lock assembly ignition	132
Lamp stop	234	Lock door anti-burst lh	367
Lamp tail	234	Lock door anti-burst rh	367
Lamps - front - side & indicator	230	Locker assembly lh	420
Lamps - headlamps	228	Locker assembly rh	420
Lamps - headlamps - ambulance	229	Locker assembly rh	420
Lamps - lamp convoy	237	Locker jerrycan lh	404
Lamps - rear - indicator, fog & r	233	Locker jerrycan rh	403
Lamps - rear - stop, tail & numbe	234 - 235	Lockers - ambulance	420
Lamps - rotating beacons	238	Lockset	370
Lamps - side repeater	231 - 232	Locksets & keys	370
Latch assembly	394	Louvre outlet	204
Layshaft	72	Lumber support	465
Layshaft	72		
Lead ammeter to fuse	307		
Lead ammeter to terminal	307		
Lead battery interlink	303		

M

Mainshaft	67
Mainshaft	67
Mainshaft	81
Mainshaft gears	68 - 71
Manifold breather	179
Manifold exhaust lh	40
Manifold exhaust rh	40
Manifold inlet	40
Manifolds - 300tdi	40
Master cylinder and servo	150
Master cylinder brake	150
Master cylinder clutch	147
Mat floor vinyl	398
Mat kit stowage	340
Mat rear body floor	459
Matrix heater	198
Mirror arm	429
Mirror arm short	428
Mirror head exterior	428
Mirror head exterior	429
Mirror interior	428
Mirrors - rear view	428
Mirrors - rear view - ambulance	429
Modulator egr valve	41
Module warning light	278
Module warning light	294
Monobolt csk hd 3/16	391
Monobolt csk hd 3/16	391
Monobolt dome hd 1/4	391
Moonlight assembly	241
Motor & fan assembly	198
Motor starter engine	56
Motor wiper	312
Motor wiper	313
Motor wiper assembly	313
Motor wiper assembly	319
Motor wiper rear	318
Motor wiper rear	319
Mounting bumper front lh	325
Mounting bumper front rh	325
Mounting rubber	326
Mounting rubber	327
Mounting rubber flexible	41
Mud-flaps - front - winterised	430
Mud-flaps - rear - ambulance - wi	433

Mud-flaps - rear - 110 - winteris	432
Mud-flaps - rear - 90 - winterise	431
Mudflap pair front	430
Mudflap rear	431
Mudflap rear	432
Mudflap rear lh	433
Mudflap rear rh	433
Mudshield	111
Mudshield brake lh	157
Mudshield brake rh	157
Mudshield lh	159
Mudshield rh	158
Mudshield rh	159
Mudshield stub axle	104

N

Net cargo retaining	417
Nozzle demist lh	201
Nut battery terminal	244
Nut retaining hub	103
Nut retaining hub	114
Nut retaining hub	115
Nut road wheel m16	118

O

Oil cooler	192
Oil cooler	193
Oil cooler - engine - pipos	191
Oil cooler - gearbox	192
Oil cooler - gearbox - pipes	194
Oil cooler - gearbox - tropical a	193
Oil filter	31
Oil filter - 300tdi	31
Oil pick up assembly	25
Oil seal camshaft	26
Oil seal crankshaft	26
Oil seal crankshaft	26
Oil seal gearbox	66
Oil seal gearbox	67
Oil seal pinion	99
Oil seal pinion	110
Oil seal rear	21
Oil strainer	66
Operating rod assembly	89



P - Continued

Pump windscreen wash	316	Rear - inward facing - radio opor	464	Relay change over 24v	286	Rod slave cylinder	60
Pump windscreen wash	317	Rear - rear facing - ambulance	466	Relay change over 24v	287	Roll protection - front	442
Push rod	35	Rear - shock absorber & road spri	128	Relay change over 24v	488	Roll protection - rear - 110	444
		Rear - shock absorber & road spri	127	Relay ffr charging	285	Roll protection - rear - 90	443
		Rear - top link, fulcrum & ball j	126	Relay heater glow plug	291	Roof - roof assembly - 110	406
		Rear access step - ambulance	426	Relay 70a	285	Roof - roof assembly - 90	405
		Rear axle - assembly - 110	106	Relays - siren & beacons - ambula	287	Roof - roof fixings - 110	408
		Rear axle - assembly - 90	105	Relays, flasher unit & wash/wipe	286	Roof - roof fixings - 90	407
		Rear axle - casing - 110	108	Relief valve assembly	22	Roof access steps - ambulance	437
		Rear axle - casing - 90	107	Reservoir	315	Roof hard top	405
		Rear axle - differential assmbly	111	Reservoir	316	Roof hard top	406
		Rear axle - differential assembly	109 - 110	Reservoir	317	Roof ladder - helicopter support	493
		Rear axle - differential gears -	113	Reservoir assembly pas	139	Roof mounted ventilation unit - a	207
		Rear axle - differential gears -	112	Resistor for led	282	Roof platform - helicopter suppor	491 - 492
		Rear axle - drive shafts and hubs	115	Resuscitator sockets - ambulance	283	Rope elastic	439
		Rear axle - drive shafts and hubs	114	Retainer	450	Rope elastic	440
		Rear body - cappings - 110	378	Retainer door female	393	Rope rear curtain	439
		Rear body - cappings - 90	377	Retainer door male	393	Rope rear curtain	440
		Rear body - inner panels - 110	386	Retainer spare wheel	434	Rope side curtain	439
		Rear body - inner panels - 90	385	Retainer spare wheel	436	Rope side curtain	440
		Rear body - lamp cover panels	383	Rheostat heater	281	Rope wiro plastic coated	491
		Rear body - mountings - 110	381 - 382	Ring baulk gearbox	68	Rotor inner	26
		Rear body - mountings - 90	379 - 380	Ring baulk gearbox	69	Rotor outor	26
		Rear body - tailgate soals	384	Ring baulk gearbox	70	Rotors matched pair	26
		Rear body - wheelarch eycbrows	387	Ring lifting	485	Run engine device 24v	288
		Rear body - 110	376	Ring lifting	486	Run engine warning unit & buzzer	288
		Rear body - 90	375	Ring oil feed	66		
		Rear body heater - ambulance	203 - 205	Ring retaining	70		
		Rear body heater labels - ambulan	206	Ring retaining tool roll	479	S	
		Rear end door latches - ambulance	394 - 395	Ring retaining tool roll	480	Safety catch bonnet	351
		Rear end doors - ambulance	393	Ring split 10mm diameter	399	Screen wash front	315
		Rear light brackets - ambulance	397	Ring split 25mm diameter	399	Screen wash front & rear - winter	317
		Rear propshaft - ambulance	95	Ring starter	57	Screen wash front - winterised	316
		Rear propshaft - 110	94	Ring synchro inner	68	Screen wipor rear - waterproof	319
		Rear propshaft - 90	93	Ring synchro inner	69	Screen wiper rear - winterised	318
		Rear retro-reflectors	236	Ring synchro middle	68	Screen wipers front	312
		Receiver drier	219	Ring synchro middle	69	Screen wipers front - waterproof	313 - 314
		Receiver drier - tropical ambulan	219	Rivet csk hd 5/32	391	Screening can assembly	52
		Red cross flap	390	Rivet dome hd 3/16	391	Screening can assembly	53
		Reel assy seat belt lh	467	Road wheels	118	Screening can assembly	54
		Reel assy seat belt rh	467	Rocker arm assembly rh	34	Screwlock loctite 222	207
		Reflector rear	236	Rocker cover	36	Screwlock loctite 222	293
		Refrigerant pipes & hoses - tropi	221 - 222	Rocker cover - 300tdi	36	Screwlock loctite 222	391
		Regulator assembly	52	Rocker shaft - 300tdi	34	Screwlock loctite 222	393
		Regulator assembly	53	Rod locking lower	394	Screwlock loctite 222	395
		Regulator assembly	54	Rod locking upper	394	Screwlock loctite 222	397
		Reinforcing angle	472	Rod oil level	25	Screwlock loctite 222	397
		Relay change over 24v	225	Rod panhard	119	Seal door lh	360





S - Continued

Seal door rh	360	Seat belt lap strap	468	Sill panel rear rh	341	Spring seat front rh	325
Seal flange console	280	Seat belt lap strap	469	Sill panel rear rh	343	Spring seat rear	325
Seal foam self adhesive	402	Seat valve spring	35	Sill panel rear rh	345	Spring seat rear	325
Seal fuel filter neck	166	Sector shaft & nut	135	Sill panels - ambulance	345 - 346	Spring synchro	68
Seal hub	115	Sedimentor	171	Sill panels - 110	343 - 344	Spring synchro	69
Seal hub inner	103	Sedimentor	172	Sill panels - 90	341 - 342	Spring synchro	70
Seal rubber self adhesive	342	Selecter shaft	73	Ski rack - ambulance - winterised	422	Spring towing pin	328
Seal rubber self adhesive	344	Selectors and shafts	73	Ski rack - winterised	421	Springbolt	409
Seal rubber self adhesive	346	Sensor coolant temp	39	Slave cylinder clutch	60	Squab assembly lh	461
Seal strip black	399	Sensor temperature	33	Sleeve exhaust	211	Squab assembly rh	461
Seal strip door rubber	393	Sensor temperature	281	Sleeve heatshrink blue	251	Stage b wading preparation	494 - 495
Seal tailgate floor	384	Shaft drive rear lh	114	Sleeve heatshrink red	251	Standpipe heater fced	166
Seal tailgate lh	384	Shaft drive rear lh	115	Sleeve heatshrink yellow	251	Staple	477
Seal tailgate rh	384	Shaft drive rear rh	114	Slipper pad clutch	60	Starter motor - 24 volt	56
Seal valve stem	35	Shaft drive rear rh	115	Small arms clips	475	Stay assembly rear door	494
Seal windscreen	356	Shaft intermediate	82	Small arms clips - ambulance	476	Stay assembly tailgate	494
Seal windscreen	357	Shaft output rear	84	Snow covers - ambulance - wintერი	425	Stay bonnet	351
Sealant hylogrip 2000	25	Shaft pinion	67	Snow covers - winterised	424	Stay striker lh	368
Sealant hylomar 607	59	Shaft reverse gear	72	Socket assembly ivs	246	Stay striker rh	368
Sealant hylomar 607	61	Shaft rocker assembly	34	Socket box assy	243	Steering box lh stg	134
Sealant hylomar 607	65	Shaft steering	131	Socket din 12v	281	Steering box rh stg	134
Sealant hylomar 607	77	Shelf assembly folding	418	Socket din 12v	283	Steering column cowl & ignition l	132
Sealant hylomar 607	79	Shock absorber kit	120	Socket electrical	277	Steering guard	330
Sealant sikaflex 221	207	Shock absorber kit	121	Socket electrical	279	Steering protection bar - ambulanc	331
Sealant sikaflex 221	224	Shock absorber kit	122	Socket fixed 2 pin	281	Steering track rods & damper	137 - 138
Sealant sikaflex 221	293	Shock absorber kit	127	Socket fixed 7 pin	281	Steering wheel and column	131
Sealant sikaflex 221	391	Shock absorber kit	128	Socket fixed 7 pin	283	Step assembly complete	426
Sealant sikaflex 221	391	Shock absorber kit	128	Socket nato 12 pin trailer connec	271	Step assembly ladder rung	437
Sealant sikaflex 221	393	Shootbolt spring-loaded	410	Socket 12 pin nato	271	Step folding	437
Sealant sikaflex 221	393	Shootbolt spring loaded	426	Spare wheel mounting - bonnet	434	Step lower	426
Sealant sikaflex 221	396	Shunt 90 amp	306	Spare wheel mounting - roof - amb	436	Step upper	426
Sealant sikaflex 221	399	Sidescreen assembly lh	361	Spare wheel mounting - side	435	Stiffener base panel	449
Sealant sikaflex 221	402	Sidescreen assembly rh	361	Speaker siren 24v	293	Stop stretcher upper	409
Sealant sikaflex 221	402	Siencer heater exhaust	211	Speaker siren 24v	488	Stowage box - helicopter support	490
Sealant spray	53	Sill channel lh	342	Speedo drive gear	84	Strap assembly	409
Sealant spray	54	Sill channel lh	344	Speedo worm gear	84	Strap assembly hood front	388
Seat assembly	464	Sill channel lh	346	Speedometer 200km/h	294	Strap assembly hood front	389
Seat assembly lh	461	Sill channel rh	342	Speedometer 200km/h	296	Strap assembly hood rail	388
Seat assembly rh	461	Sill channel rh	344	Spill return assembly	45	Strap assembly hood rail	389
Seat assembly tip-up	466	Sill channel rh	346	Spring relief valve	26	Strap elastic console cvr	494
Seat assy inward facing	463	Sill panel front lh	341	Spring road front	120	Strap hood hatch retain	494
Seat base - 110	338	Sill panel front lh	343	Spring road front	121	Strap jack retention	479
Seat base - 90	337	Sill panel front lh	345	Spring road front lh	122	Strap kit retaining	417
Seat base assembly	465	Sill panel front rh	341	Spring road front rh	122	Strap load restraint	477
Seat base assy	337	Sill panel front rh	343	Spring road rear	127	Strap rope stowage	478
Seat base assy	338	Sill panel front rh	345	Spring road rear	128	Strap stretcher looped	415
Seat base covers & fittings	339	Sill panel rear lh	341	Spring seat	128	Strap stretcher lower	416
Seat base kit retention	340	Sill panel rear lh	343	Spring seat front lh	325	Strap stretcher straight	415
Seat belt assembly	469	Sill panel rear lh	345				



S - Continued

Strap stretcher upper	416	Switch interior lamp	275	Tape velcro female	469	Transmission brake	90
Strap tool stowage	478	Switch isolation	488	Tape velcro hook 30mm	399	Transmission mountings	327
Stretcher frame sprung arm - lowe	413	Switch light rotary	274	Tape velcro hook 30mm	420	Transmitter temperature	39
Stretcher frame sprung arm - uppe	412	Switch light rotary	275	Tape velcro loop 30mm	399	Tray battery	245
Stretcher frames - ambulance	409 - 410	Switch light rotary	278	Tape velcro male	469	Tray battery	302
Stretcher mechanism - labels - am	414	Switch light socket	281	Tapes and badges	427	Tray battery	337
Stretcher support strut - ambulan	411	Switch map lamp	274	Tappet assembly	35	Tray battery	338
Stretcher tie-down & stowage - am	415 - 416	Switch map lamp	275	Tensioner auxiliary drive	29	Tray jerrycan	400
Striker bonnet	351	Switch map lamp	279	Terminal black	306	Tread plate front panel	385
Striker door lh	367	Switch oil pressure	31	Terminal black	307	Tread plate front panel	386
Striker door rh	367	Switch panel	451	Terminal block assy a	282	Treadplate bonnet	352
Striker plate	349	Switch pressure air-con	220	Terminal block assy b	282	Trim panel end	448
Strip edge protection	420	Switch rear fog lamp	276	Terminal post complete	306	Trim panel lh stg	446
Strut assembly	411	Switch rear fog lamp	279	Terminal post m6	247	Trim panel rh stg	446
Strut gas	409	Switch rear wash/wipe	274	Terminal post positive	303	Trunking plastic 25mm	242
Stud speedo cable	78	Switch rear wash/wipe	279	Terminal post stowage	303	Trunking plastic 38mm	242
Subframe & slide lh	461	Switch reverse light	66	Terminal posts - power supply - a	247	Tube alternator to duct	53
Subframe & slide rh	461	Switch rotary lighting	281	Terminal red	306	Tube battery link	494
Sump	25	Switch siren	275	Terminal red	307	Tube battery venting	304
Sump - 300tdi	25	Switch siren	488	Thermostat	39	Tube breather joint	251
Sunvisor lh	457	Switch temperature	39	Thermostat - 300tdi	39	Tube crossrod	137
Sunvisor rh	457	Switch thermostatic	225	Thimble	491	Tube dipstick	25
Sunvisors	457	Switch ventilator blower	281	Tie bar	134	Tube egr mixing	190
Suppressor assembly	291	Switch wash/wipe	272	Tie bar assy lh	471	Tube filler extension	165
Surface box	242	Switch wash/wipe	273	Tie bar assy lh	473	Tube filler extension	166
Switch auxiliary heater	217	Switches - dash lower	276	Tie bar assy rh	471	Tube fluorescent 8w	241
Switch beacon	275	Switches - dash upper	274	Tie bar assy rh	473	Tube hood support	444
Switch beacon	488	Switches - dash upper - ambulance	275	Tie bar cantrail	444	Tubing screen wash	315
Switch blackout	241	Switches - steering column	272	Tie plate lh	354	Tubing screen wash	316
Switch blackout	241	Switches - steering column - wale	273	Tie plate rh	354	Tubing screen wash	317
Switch blower control	225	Sword pin	491	Timer glow plug 24v	284	Turbocharger - 300tdi	46
Switch brake light	146	Synchro assembly	68	Timing belt - 300tdi	28	Turnbuckle	403
Switch diff lock	86	Synchro assembly	69	Tool component removal	217		
Switch fuel cut off	43	Synchro assembly	70	Tool connector relcase	264		
Switch hazard warning	276			Tool kit complete	481		
Switch hazard warning	279			Tool kit complete	482		
Switch headlamp level	276			Tool locker	338		
Switch headlamp level	279			Tool stowage - bonnet & wing moun	478	Underbody wax dinol 4941	325
Switch heated rear window	274			Tool stowage - bulkhead	479	Universal joint	92
Switch heated rear window	279			Tool stowage - bulkhead - ambulance	480	Universal joint	93
Switch heated windscreen	274			Tools	481	Universal joint	94
Switch heated windscreen	275			Tools - ambulance	481	Universal joint	95
Switch heated windscreen	279			Torsion bar and collar	482	Universal joint steering	131
Switch heater	279			Towing pintle	365		
Switch ignition	132			Track infusion bottle	487		
Switch ignition	279			Track rod assembly	417		
Switch indicator/horn/dip	272			Transfer assembly	137		
Switch indicatr/horn/dip	273			Transfer assembly	76	Vacuum pump - 300tdi	48
				Transfer box assy 1.41:1	76	Valve cgr	41

T

U

V

**V - Continued**

Valve exhaust	35
Valve expansion	223
Valve inlet	35
Valve non return	150
Valve non return	315
Valve non return	316
Valve non return	317
Valve spring	35
Valve thermostatic	212
Valves and tappets - 300tdi	35
Vehicle batteries & cables	244
Vent adjustable	207
Vent adjustable	223
Vent adjustable	417
Vent cover assembly	417
Vent valve battery	244
Ventilator assembly	390
Viscous unit	30

W

Washer thrust sgmnt pair	70
Water pump - 300tdi	29
Watershed lower	393
Watershed upper	393
Wheel road	118
Wheel steering	131
Wheelarch lh	355
Wheelarch rh	355
Wheelbrace	481
Wheelbrace	482
Window glass inner	361
Window glass outer	361
Windows & window blackout - ambul	399
Windscreen	356
Windscreen - ambulance	357
Wing front lh	353
Wing front lh	354
Wing front rh	353
Wing front rh	354





MASTER INDEX

	PAGES		GROUP B
INTRODUCTION PAGES	1 - 4		
ALPHABETICAL INDEX	5 - 16		
ENGINE	17 - 57	ENGINE	
GEARBOX	58 - 74	ENGINE COMPLETE - 300TDI	18
TRANSFER BOX	75 - 90	ENGINE STRIPPED - 300TDI	19
AXLES AND SUSPENSION	91 - 129	ENGINE SHORT - 300TDI	20
STEERING	130 - 141	CYLINDER BLOCK - 300TDI	21
VEHICLE AND ENGINE CONTROLS	142 - 148	JET ADAPTORS - 300TDI	22
BRAKES	149 - 161	CRANKSHAFT - 300TDI	23
FUEL SYSTEM AND AIR CLEANER	162 - 179	PISTON & RINGS - 300TDI	24
EXHAUST SYSTEM	180 - 185	SUMP - 300TDI	25
COOLING/HEATING	186 - 225	FRONT COVER - 300TDI	26 - 27
BODY ELECTRICAL	226 - 319	TIMING BELT - 300TDI	28
BODY AND CHASSIS	320 - 444	WATER PUMP - 300TDI	29
INTERIOR TRIM	445 - 459	COOLING FAN - 300TDI	30
SEATS	460 - 473	OIL FILTER - 300TDI	31
STOWAGE	474 - 482	CYLINDER HEAD - 300TDI	32 - 33
ACCESSORIES - PAINTS	483 - 495	ROCKER SHAFT - 300TDI	34
NUMERICAL INDEX	497 - 530	VALVES AND TAPPETS - 300TDI	35
		ROCKER COVER - 300TDI	36
		CYCLONE BREATHER - 300TDI	37
		CAMSHAFT - 300TDI	38
		THERMOSTAT - 300TDI	39
		MANIFOLDS - 300TDI	40
		EGR VALVE & MODULATOR	41
		FUEL LIFT PUMP - 300TDI	42
		FUEL INJECTION PUMP - 300TDI	43 - 44
		FUEL INJECTORS AND PIPES - 300TDI	45
		TURBOCHARGER - 300TDI	46
		GASKET KITS - 300TDI	47
		VACUUM PUMP - 300TDI	48
		POWER STEERING PUMP - 300TDI	49
		AIR CONDITIONING - COMPRESSOR - TROPICAL AMBULANCE	50
		AIR CONDITIONING - IDLER PULLEYS - TROPICAL AMBULANCE	51
		ALTERNATOR - SINGLE - LOWER	52 - 53
		ALTERNATOR - TWIN - UPPER (FFR)	54
		ALTERNATOR - BRACKET - PULLEYS & BELT (FFR)	55
		STARTER MOTOR - 24 VOLT	56
		FLYWHEEL & CLUTCH - 300TDI	57

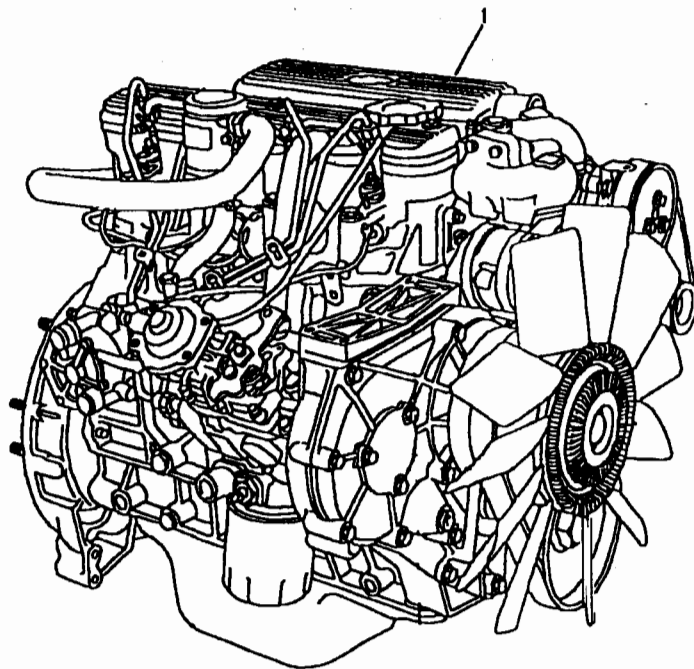


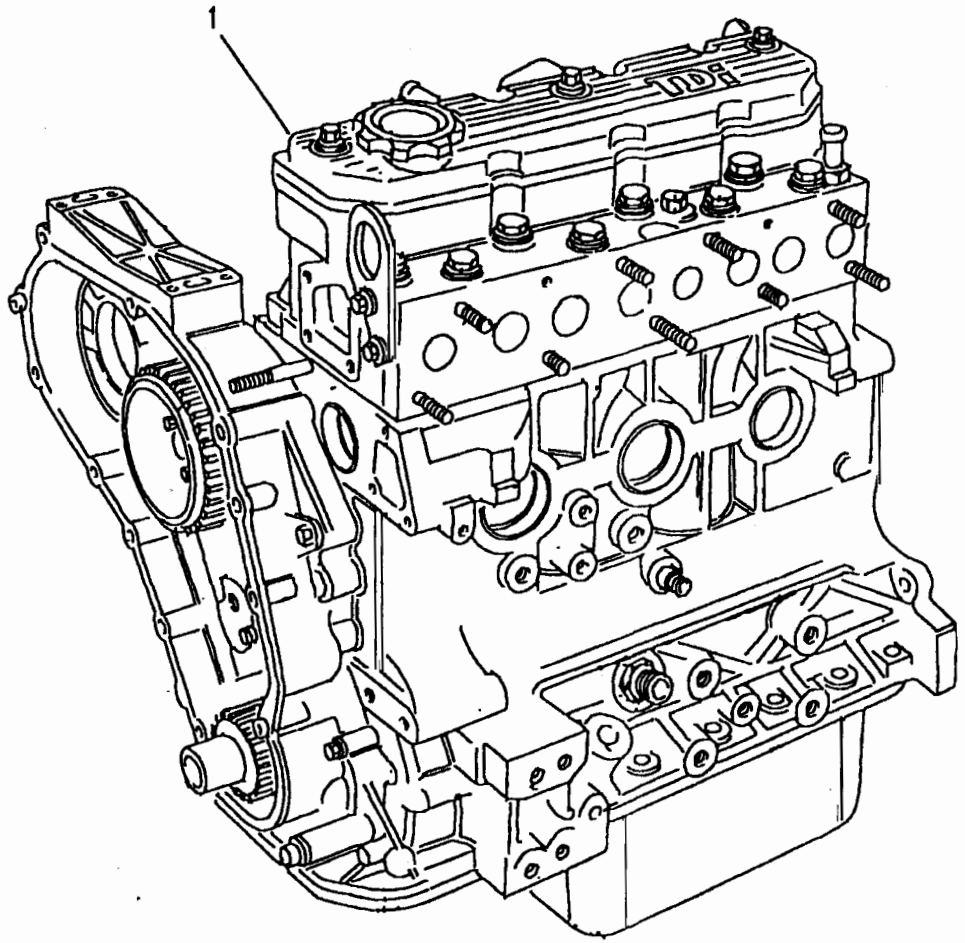
Model DEFENDER XD ALL VARIANTS
Page YDBNAA1A

ENGINE - ENGINE COMPLETE - 300TDI

III. Part No.	Description	Qty	Remarks
Non EGR - note(1) 1 STC3383	Engine assembly complete	1	GS & FFR - note(4)
EGR - note(2) LBB109560	Engine assembly complete	1	GS & FFR - note(4)
Waterproof - note(3) LBB111620	Engine assembly complete	1	GS & FFR - note(4)

Note(1) Prefix - 15L, suffix - A & B
 Note(2) Prefix - 25L, suffix - A & B
 Note(3) Prefix - 25L, suffix - B
 Note(4) For FFR applications - retain FFR alternator and mounting/drive components, and also hand throttle abutment bracket and linkage, from old unit. Also replace GS engine harness with FFR engine harness.





Model DEFENDER XD ALL VARIANTS
Page YDBNAC1A

ENGINE - ENGINE STRIPPED - 300TDI

III. Part No.	Description	Qty	Remarks
1 STC1736N	Engine assembly stripped	1	Note(1)

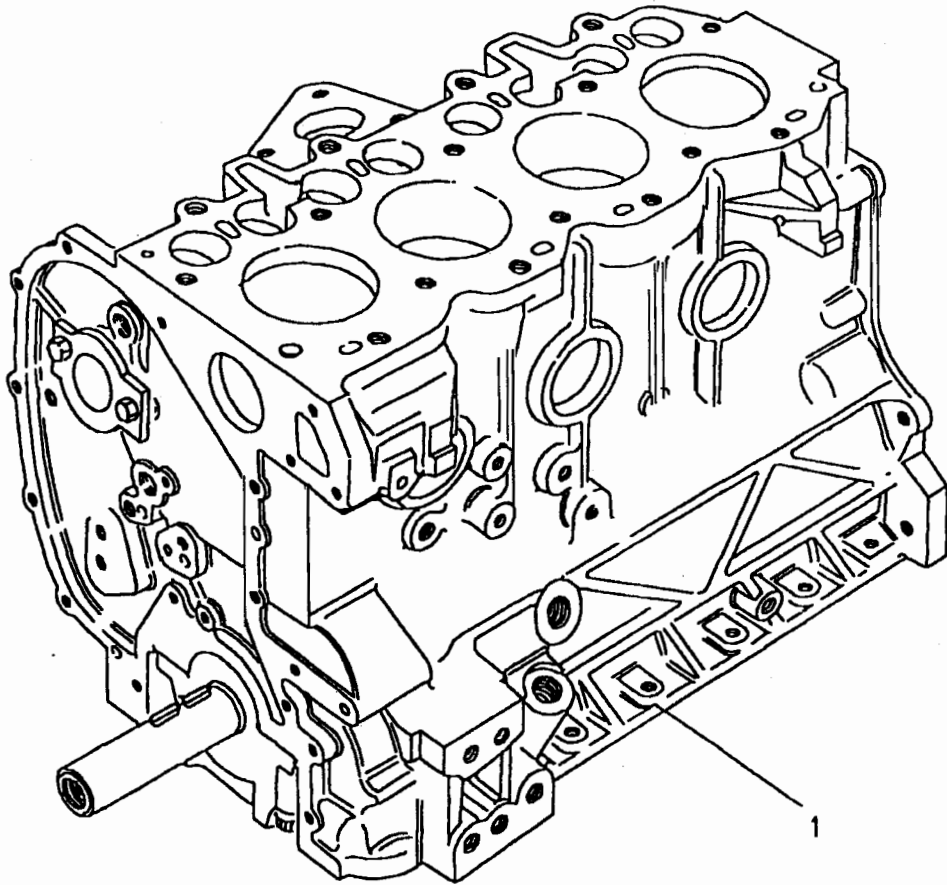
Note(1) When replacing non EGR engines up to 15L01620A use new front cover ERR7147, gasket ERR7293 and boost pipe MSP100980

Model DEFENDER XD ALL VARIANTS

Page YDBNAE1A

ENGINE - ENGINE SHORT - 300TDI

III. Part No.	Description	Qty Remarks
1 STC1675	Engine short assembly	1



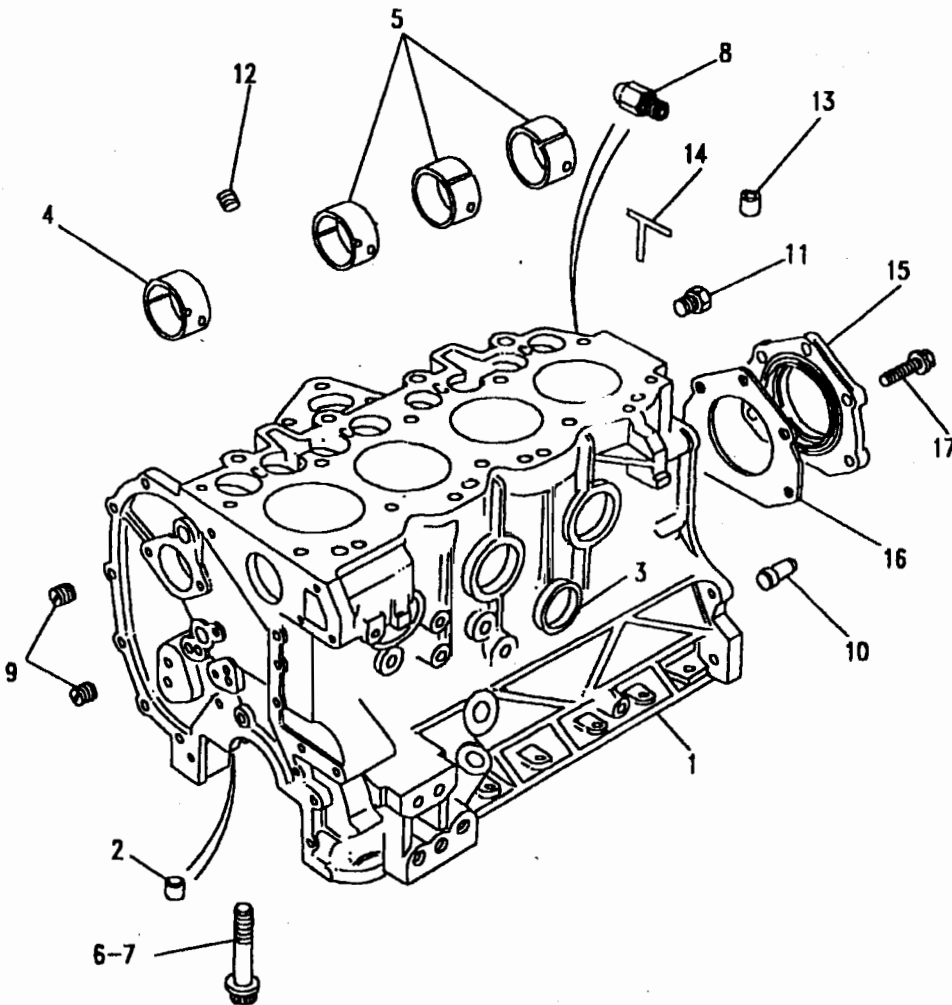
Model DEFENDER XD ALL VARIANTS

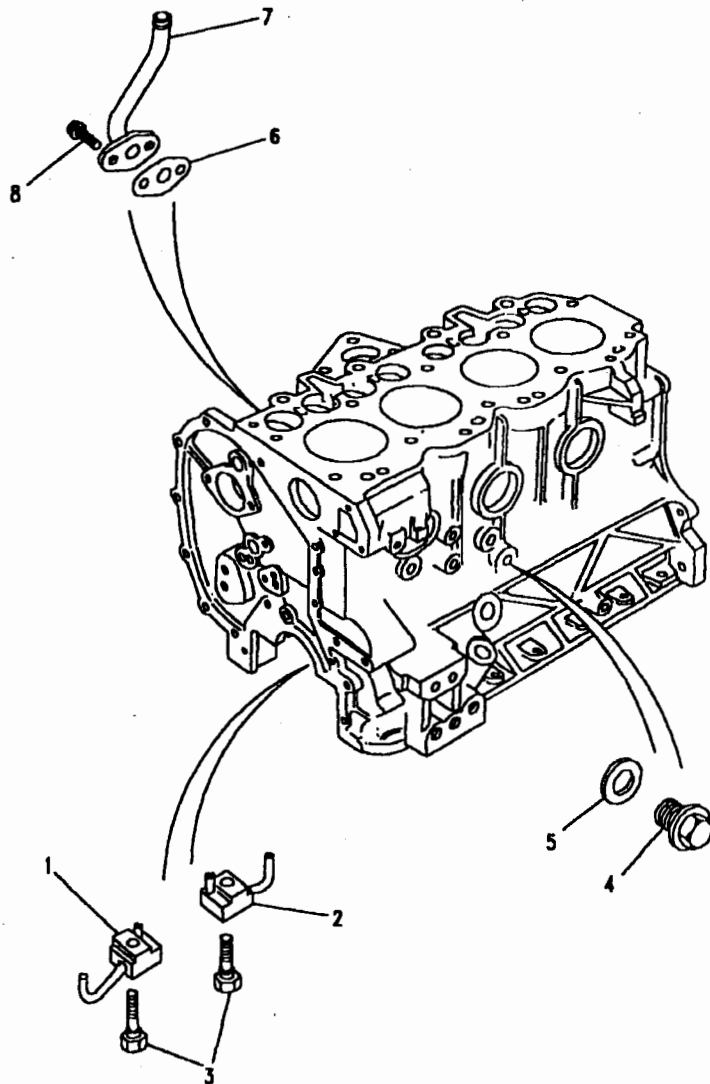
Page YDBNBA1A

ENGINE - CYLINDER BLOCK - 300TDI

III. Part No.	Description	Qty	Remarks
1	ERR1919	1	Cylinder block assembly
2	501593	10	Dowel bearing cap
3	ERC4996	6	Cup plug
4	ETC8442	1	Bearing cam)Note(1)
5	90519055	3	Bearing cam)
6	ETC8074	8	Bolt bearing cap
7	ERR3419	2	Bolt bearing cap
8	ERR2767	1	Jet assembly
9	247127	2	Plug oil gallery
10	FRC2482	2	Dowel flywheel housing
11	ETC4922	2	Plug gallery pipe
12	ERR5034	3	Plug camshaft oil feed
13	ETC8352	2	Dowel head/block
14	ERR913	2	Packing strip
15	ERR6818	1	Oil seal rear Note(2)
	LUF100430	1	Oil seal rear Note(3&4)
16	ERR6811	1	Gasket cylinder block Note(2)
17	FS108257L	5	Screw flange M8 x 25

Note(1) New camshaft required if bearings are changed.
 Note(2) Up to engine 15L02424B & 25L03731A
 Note(3) From engine 15L02425B & 25L03732A
 Note(4) Gasket not required, use Loctite 5900 sealant.
 Note(5) For engine mountings see page 326

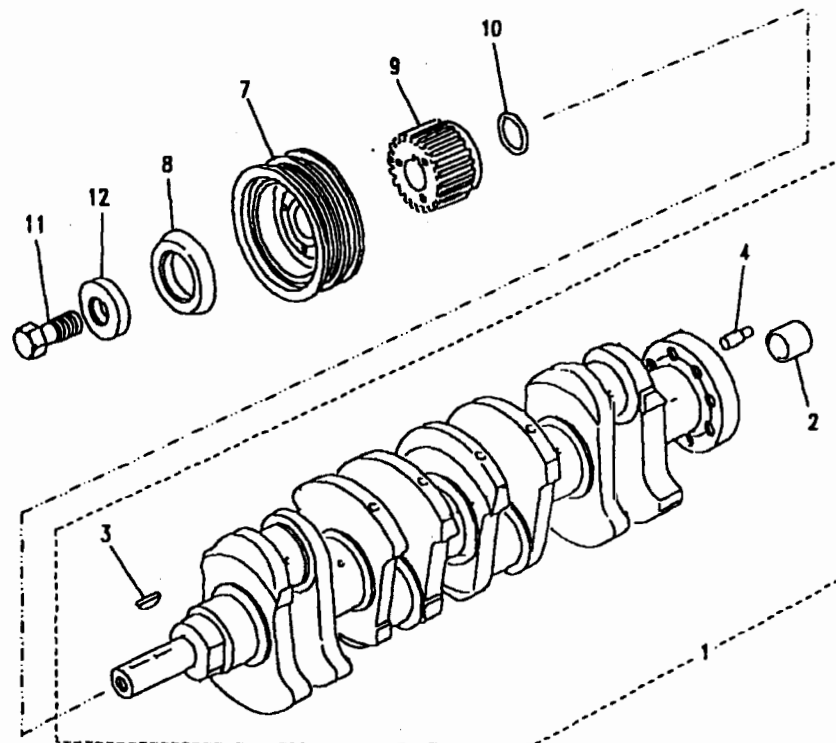




Model DEFENDER XD ALL VARIANTS
Page YDBNBA2A

ENGINE - JET ADAPTORS - 300TDI

III. Part No.	Description	Qty	Remarks
1 ETC6531	Jet assy No1 & No3 cyl	2	
2 ETC6532	Jet assy No2 & No4 cyl	2	
3 ETC5592	Relief valve assembly	4	Bolt type
4 ERC9410	Drain plug	1	
5 AFU1882L	Washer joint	1	
6 ERR1653	Gasket oil drain pipe	1	
7 ERR1094	Pipe oil drain	1	
8 FS108207L	Screw flange M8 x 20	2	



Model DEFENDER XD ALL VARIANTS
Page YDBNCA1A

ENGINE - CRANKSHAFT - 300TDI

III. Part No.	Description	Qty	Remarks
1	ERR2112	1	Crankshaft
2	8566L	1	Bush
3	ERR5215	2	Key
4	ERR1630	1	Dowel
5	RTC4783	1	Bearing set main standard
	STC3395	1	Bearing set main standard
	RTC478310	1	Bearing set main .010 u/s
Kit - thrust washer - pairs			
6	RTC2825	A/R	Standard
	538131	A/R	0.0025 oversize
	538132	A/R	0.0050 oversize
7	ERR2220	1	Damper torque
8	ERR2100	1	Flinger
9	ERR4707	1	Pulley crankshaft timing
	LHH100660	1	Pulley crankshaft timing
10	ERR4710	1	O Ring
11	ERR5087	1	Bolt crankshaft
12	ERR1564	1	Washer thrust

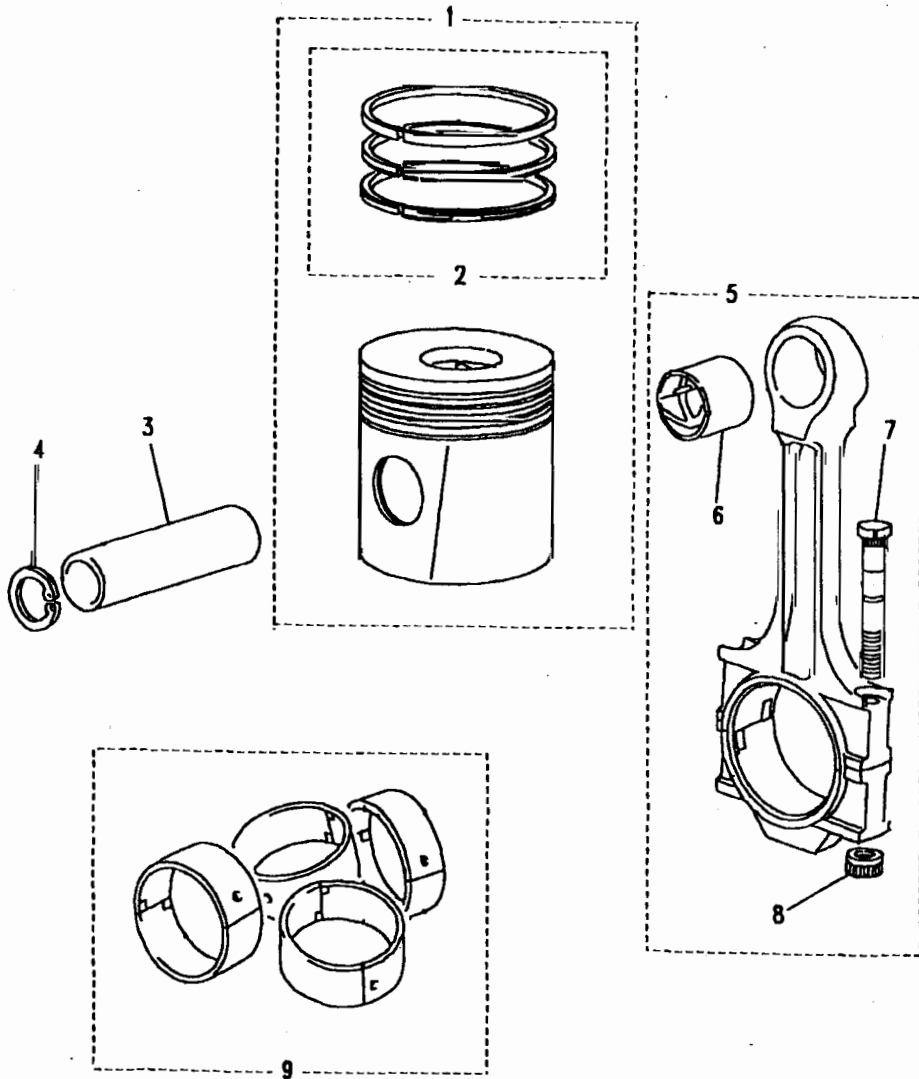
Note(1) Up to engine 15L00873A only.
 Note(2) From engine 15L00874A & 25L00001A
 Note(3) Up to engine 15L01863A & 25L01942A
 Note(4) From engine 15L01864A & 25L01943A

Model DEFENDER XD ALL VARIANTS
Page YDBNCC1A

ENGINE - PISTON & RINGS - 300TDI

Ill. Part No.	Description	Qty	Remarks
1	ERR2410 STC298210 STC298220	4	
2	STC958	4	
3	ERR703	4	
4	266945	8	
5	ERR2418	4	
6	ERR2419	4	
7	ETC7357	8	
8	ETC8191	8	
Bearing kit - conn rod - engine set			
9	RTC2993	A/R	
	RTC299310	A/R	

Note(1) NSS - supplied with piston assembly.



Model DEFENDER XD ALL VARIANTS

Page YDBNDA1A

ENGINE - SUMP - 300TDI

III. Part No. Description Qty Remarks

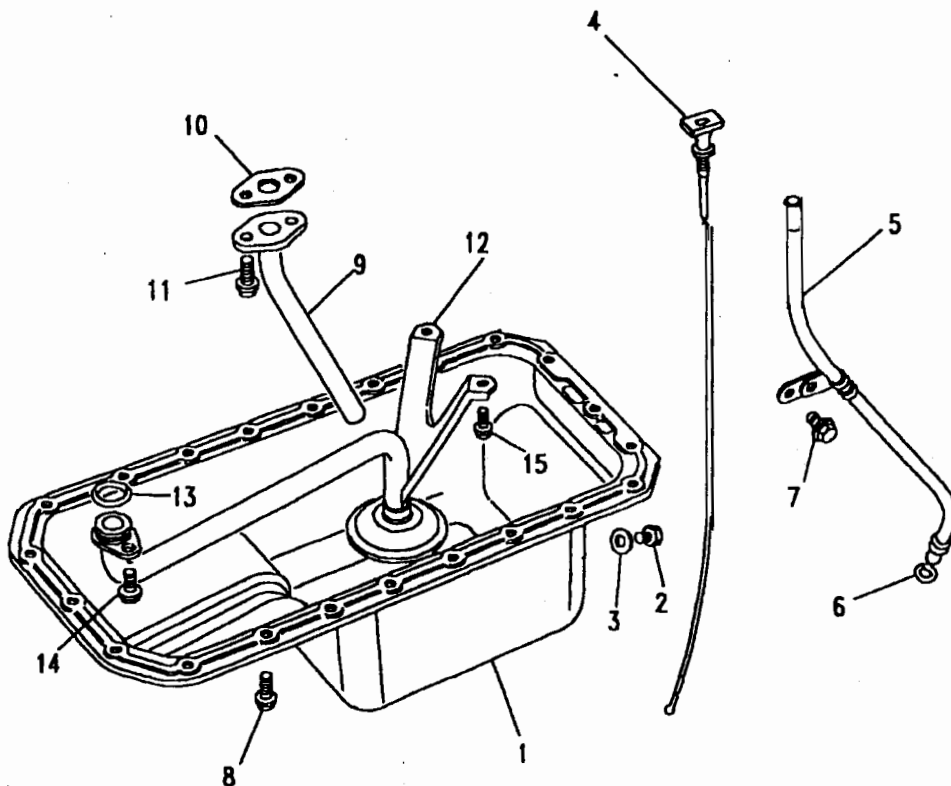
Engine oil sump

1	ERR4696	Sump	1	Note(1)
	LSB102610	Sump	1	Note(2)
2	UAM2957	Plug	1	Note(1)
	LSF100040L	Plug	1	Note(2)
3	UAM2857L	Washer sealing	1	Note(1)
	ALU1403L	Washer sealing	1	Note(2)
4	ERR3809	Rod oil level	1	
5	ERR4697	Tube dipstick	1	
6	ERR3683	Ring sealing	1	
7	FS108161L	Screw flange M8 x 16	1	
8	FS108161L	Screw flange M8 x 16	22	
9	ERR3633	Pipe oil drain	1	
10	ERR1653	Gasket oil drain pipe	1	
11	FS108207L	Screw flange M8 x 20	2	
12	ERR3299	Oil pick up assembly	1	
13	ERR3417	O ring	1	
14	FS108161L	Screw flange M8 x 16	1	
15	FS106161ML	Screw flange M6 x 16	2	

Sealant - sump to block

STC611 Sealant Hylogrip 2000 A/R 100ml

Note(1) Up to engine 15L01863A & 25L02204A
 Note(2) From engine 15L01864A & 25L02205A

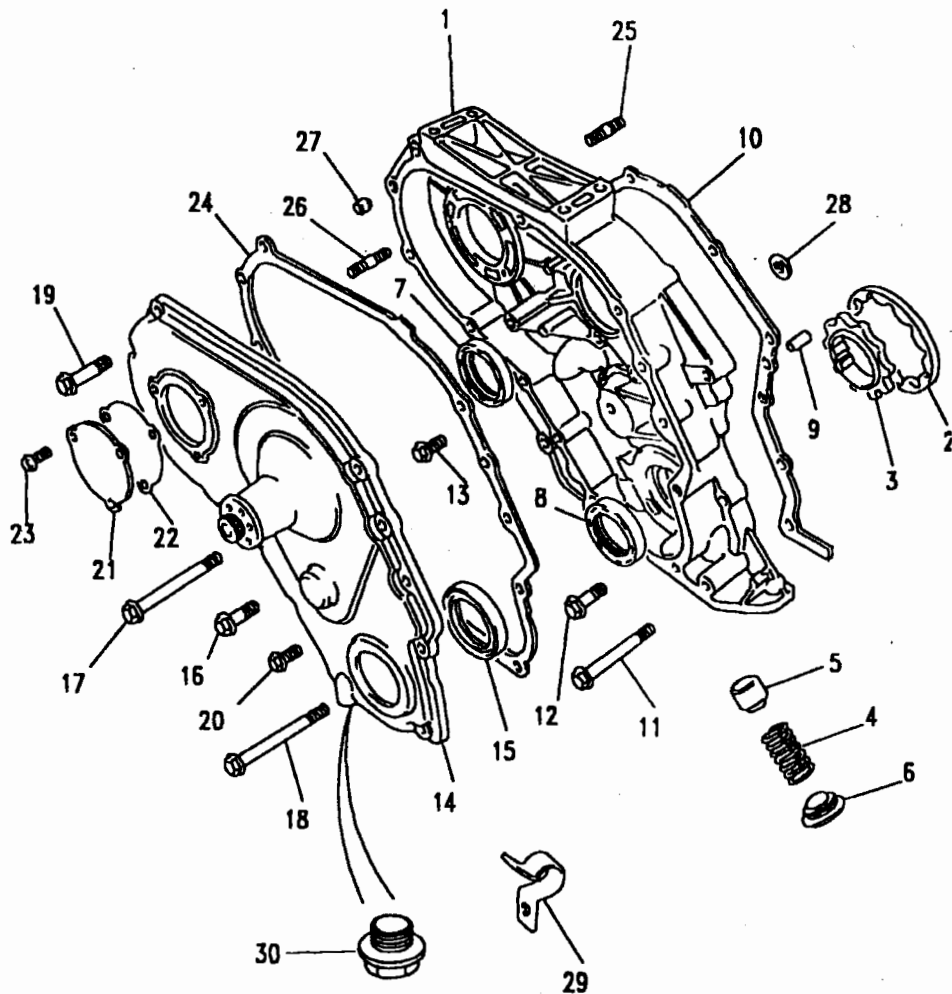


Model DEFENDER XD ALL VARIANTS
 Page YDBNEA1A

ENGINE - FRONT COVER - 300TDI

III. Part No.	Description	Qty	Remarks
1	ERR4664	1	Note(1)
2	Rotor outer	1	Note(2)
3	Rotor inner	1)
	STC3407	1	
4	ERR1084	1	
5	ERR1085	1	
6	ERR1086	1	
7	ERR3356	1	
8	ERR4575	1	
9	6395L	4	
10	ERR4860	1	
11	FB108161L	2	
12	FB108071L	3	
13	FS108257L	5	
14	ERR4578	1	Note(3)
	ERR7147	1	Note(4)
15	ERR4576	1	Note(3)
	ERR7143	1	Note(4)
16	FB108071L	5	
	FB108081L	2	
17	FB108201L	2	
18	FB108221	2	
19	FB108101	2	
20	FS108257L	1	

Note(1) When fitting to non EGR engines up to 15L01620A use new front cover ERR7147, gasket ERR7293 and boost pipe MSP100980
 Note(2) Supplied as matched pair - part number STC3407
 Note(3) Up to engine 15L01620A
 Note(4) From engine 15L01621A & 25L00001A



Model DEFENDER XD ALL VARIANTS

Page YDBNEA1A

ENGINE - FRONT COVER - 300TDI

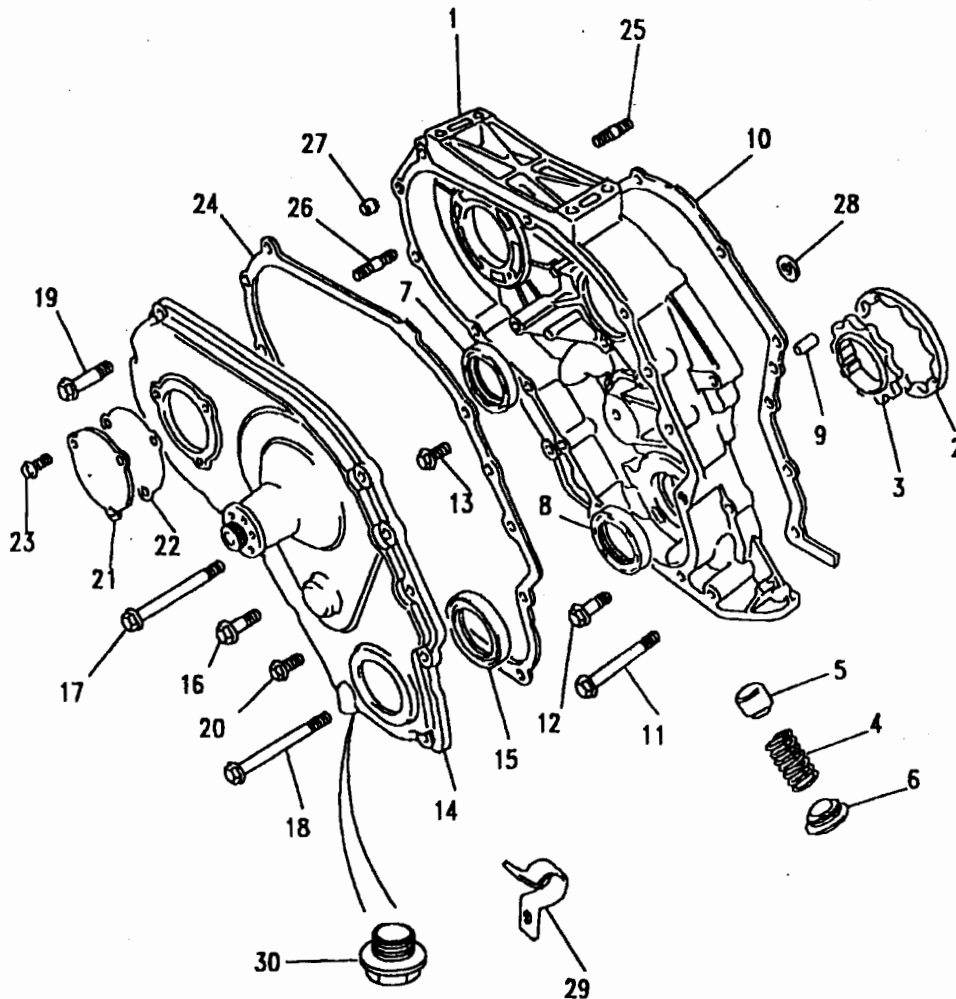
III. Part No.	Description	Qty	Remarks
21 ERR7249	Plate cover	1	
22 ERR7250	Gasket cover plate	1	
23 FS108127L	Screw flanged M8 x 12	3	
24 ERR4120	Gasket cover plate	1	Note(1)
ERR7293	Gasket cover plate	1	Note(2)
25 TE108061L	Stud M8 x 30	3	
26 TE110051L	Stud M10 x 25	1	
27 ERR3286	Dowel front cover	2	
28 ERR2344	Joint washer	1	
29 ERR4824	Clip hose	2	
30 ERR7327	Plug venting 2mm drilled	1	Note(1)

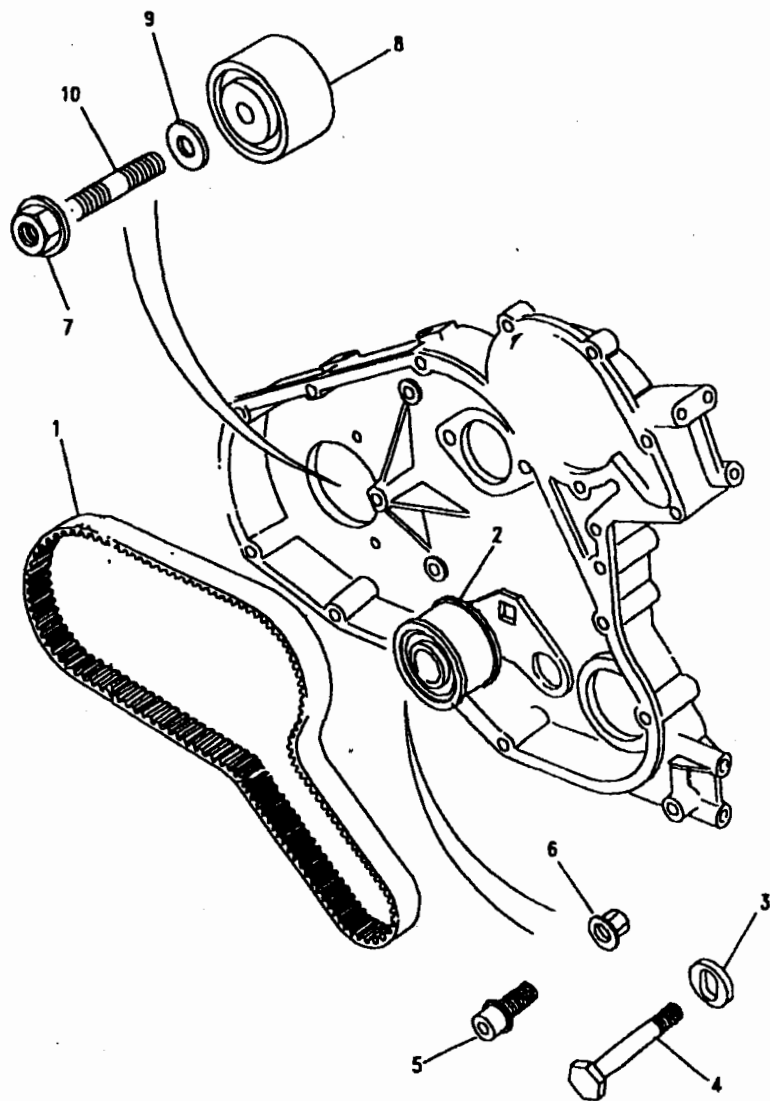
Note(1)

Up to engine 15L01620A

Note(2)

From engine 15L01621A & 25L00001A





Model DEFENDER XD ALL VARIANTS
Page YDBNEC1A

ENGINE - TIMING BELT - 300TDI

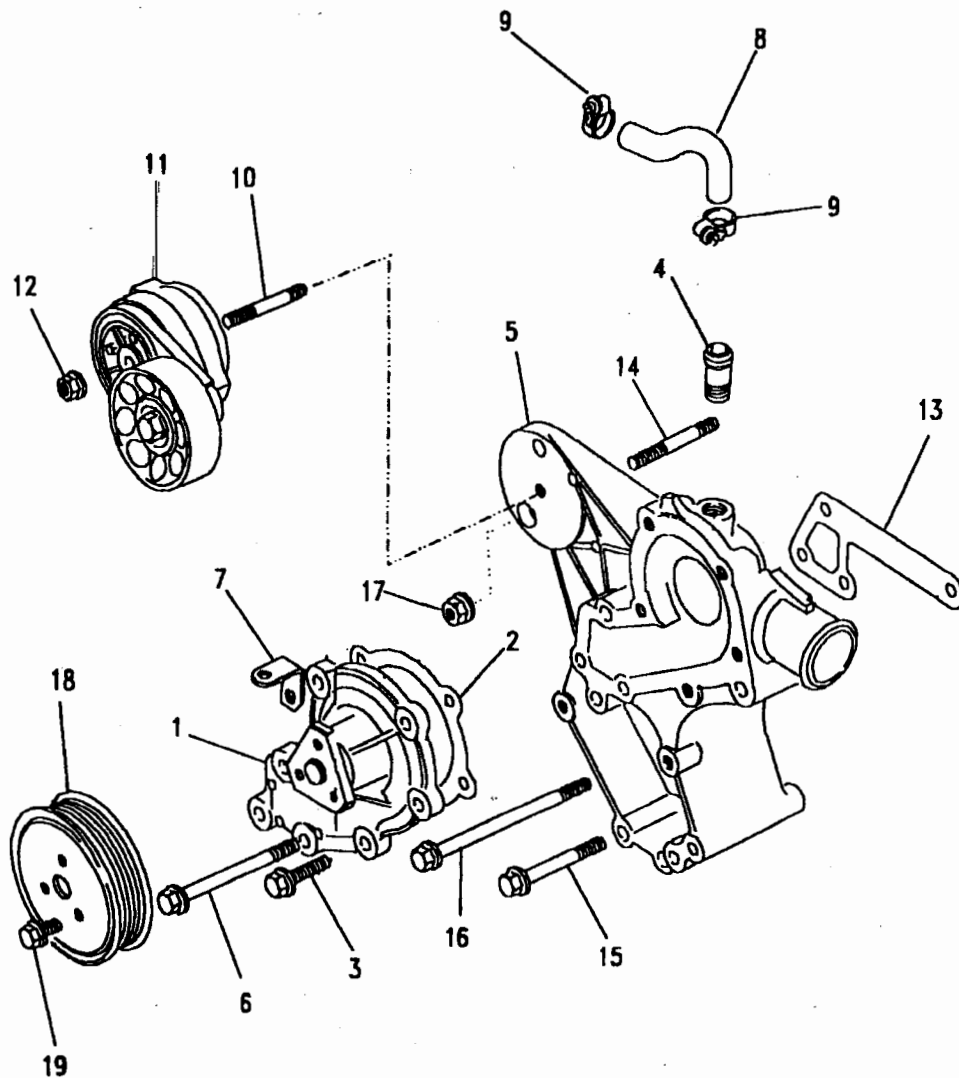
III. Part No.	Description	Qty	Remarks
1 ERR1092	Belt timing	1	
2 ERR1972	Pulley tensioner	1	Note(1)
LHP100680	Pulley tensioner	1	Note(2)
3 ERR900	Washer packing	1	Note(1)
4 FB110131L	Bolt flanged M10 x 65	1)
5 SS110201E	Screw socket M10 x 20	1)Note(2)
6 FN110047	Nut flanged M10	1)
7 FN110047	Nut flanged M10	1	Note(1)
FX110041L	Nut locking M10	1	Note(2&3)
LYH100500	Nut locking M10	1	Note(4)
8 ETC8560	Pulley idler static	1	Note(1)
LHV100150	Pulley idler static	1	Note(2)
9 ERR1973	Washer spacing	1	
10 TE110051L	Stud M10 x 25	1	Note(3)
TE110061L	Stud M10 x 30	1	Note(4)

Note(1) Up to engine 15L01863A & 25L01942A
 Note(2) From engine 15L01864A & 25L01943A
 Note(3) Up to engine 15L03179B & 25L06881B
 Note(4) From engine 15L03180B & 25L06882B

Model DEFENDER XD ALL VARIANTS

Page YDBNEE1A

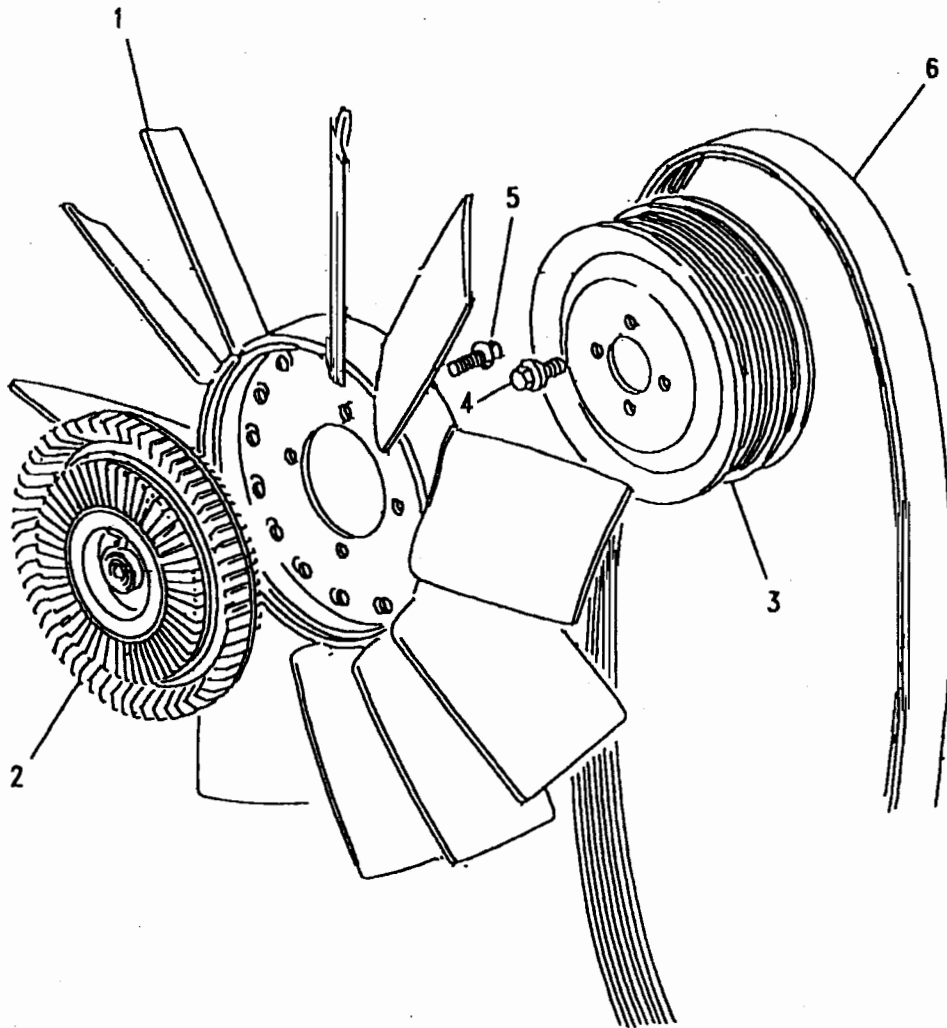
ENGINE - WATER PUMP - 300TDI



III. Part No.	Description	Qty	Remarks
1	STC1086	1	Pump water
2	ERR3284	1	Gasket water pump
3	FS108307L	5	Bolt flanged M8 x 30
4	ERR3622	1	Pipe stub
	PEP102840	1	Pipe stub
5	ERR3736	1	Bracket mounting
6	FB108241L	3	Bolt flanged M8 x 120
	FC108247	3	Bolt flanged M8 x 120
7	ERR5259	1	Bracket hose clip
8	ERR5099	1	Hose bypass
9	CN100308L	2	Clip hose
10	TE110151	1	Stud M10 x 75
11	ERR4708	1	Tensioner auxiliary drive
	PQG100290	1	Tensioner auxiliary drive
12	FN110047L	1	Nut flanged
13	ERR2378	1	Gasket water inlet
	PET100790	1	Gasket water inlet
14	ERR5691	1	Stud
15	FB108131L	1	Bolt flanged M8 x 65
	FC108137	1	Bolt flanged M8 x 65
16	FB108261	1	Bolt flanged M8 x 130
17	FX108041L	2	Nut flanged M8
18	ERR3734	1	Pulley water pump
19	FS108127L	3	Screw flanged M8 x 12

Note(1)
Note(2)

Up to engine 15L02834B & 25L06152B
From engine 15L02835B & 25L06153B



Model DEFENDER XD ALL VARIANTS

Page YDBNEG1A

ENGINE - COOLING FAN - 300TDI

III. Part No.	Description	Qty	Remarks
1 ERR2789	Fan blade	1	
2 ERR2266	Viscous unit	1	
3 ERR3735	Pulley fan	1	
4 FS108127L	Screw flange M8 x 12	4	
5 SH108161L	Screw M8 x 16	4	
6 ERR5911	Belt drive	1	

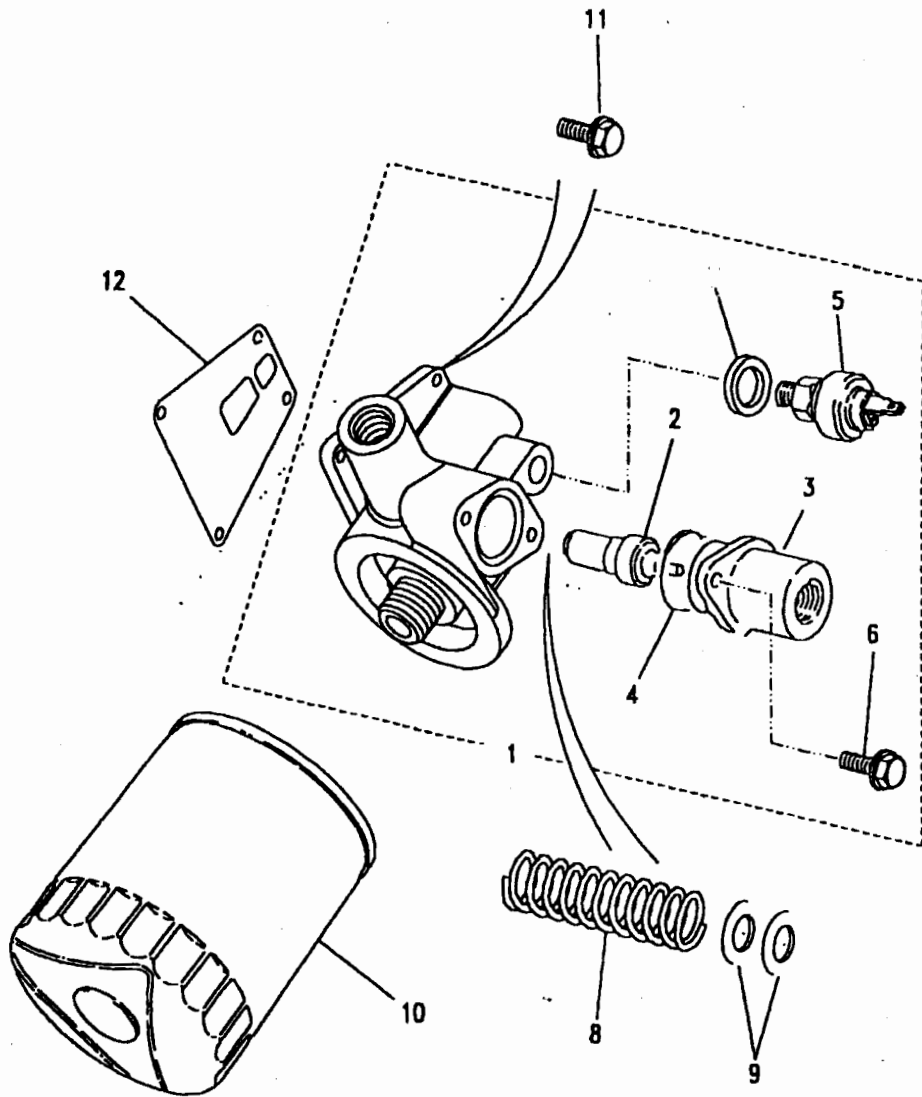
Model DEFENDER XD ALL VARIANTS

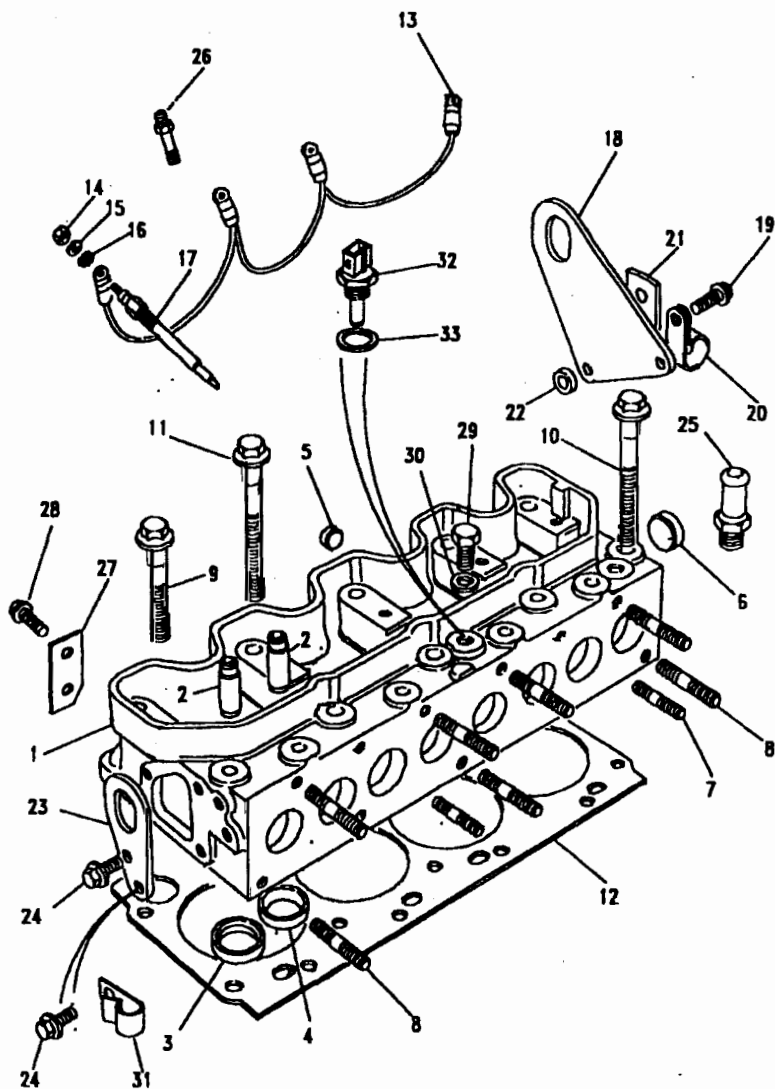
Page YDBNFC1A

ENGINE - OIL FILTER - 300TDI

III. Part No.	Description	Qty	Remarks
1	ERR2317	1	Note(1)
2	ERC5923	1	
3	ERR2241	1	
4	ERC5913	1	
5	PRC6387	1	
	NUC100340	1	Waterproof
6	FS106167L	2	
7	AFU1887L	1	
8	ERC3727	1	
9	ERC3725	2	
10	ERR3340	1	
11	FS110301L	4	
12	ERR3283	1	

Note(1) If required for waterproof vehicles, replace oil pressure switch.





Model DEFENDER XD ALL VARIANTS
Page YDBNGA1A

ENGINE - CYLINDER HEAD - 300TDI

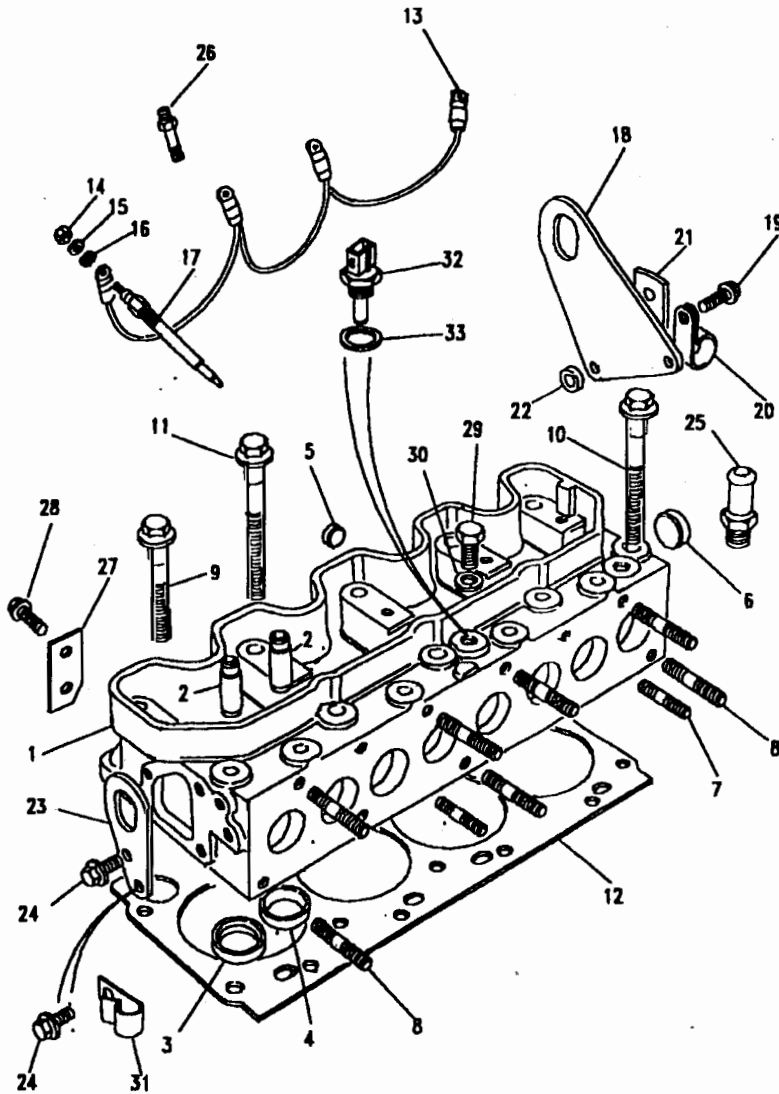
III. Part No.	Description	Qty	Remarks
Cylinder head assembly			
1	ERR5027	1	Cylinder head assembly
2	ETC8003	8	Guide valve
	LGJ100880	8	Guide valve
			Note(2&3)
3	ERR2396	4	Insert valve seat exh
4	ERR3753	4	Insert valve seat inlet
5	525497	1	Cup plug
6	524765	1	Cup plug
7	TE108051L	2	Stud M8 x 25
8	TE110071L	10	Stud M10 x 35
9	ETC8808	4	Bolt cyl head M12 x 100
10	ERR1939	10	Bolt cyl head M12 x 140
11	ETC8810	4	Bolt cyl head M10 x 117
			Note(5)
Cylinder head gasket - selective			
12	ERR5261	1	Gasket cyl head 1.3mm
	ERR5262	1	Gasket cyl head 1.4mm
	ERR5263	1	Gasket cyl head 1.5mm
	ERR7154	1	Gasket cyl head 1.6mm
			Stamped - 1 hole
			Stamped - 2 holes
			Stamped - 3 holes
			Stamped - no holes
Glow plugs and cable			
13	AMR2425	1	Cable assembly glow plugs
	NCD100090	1	Cable assembly glow plugs
			Waterproof
14	NH104041L	4	Nut M4
15	WA104001L	4	Washer plain M4
16	WE104001L	4	Washer shakeproof M4
17	ERR4084	4	Glow plug

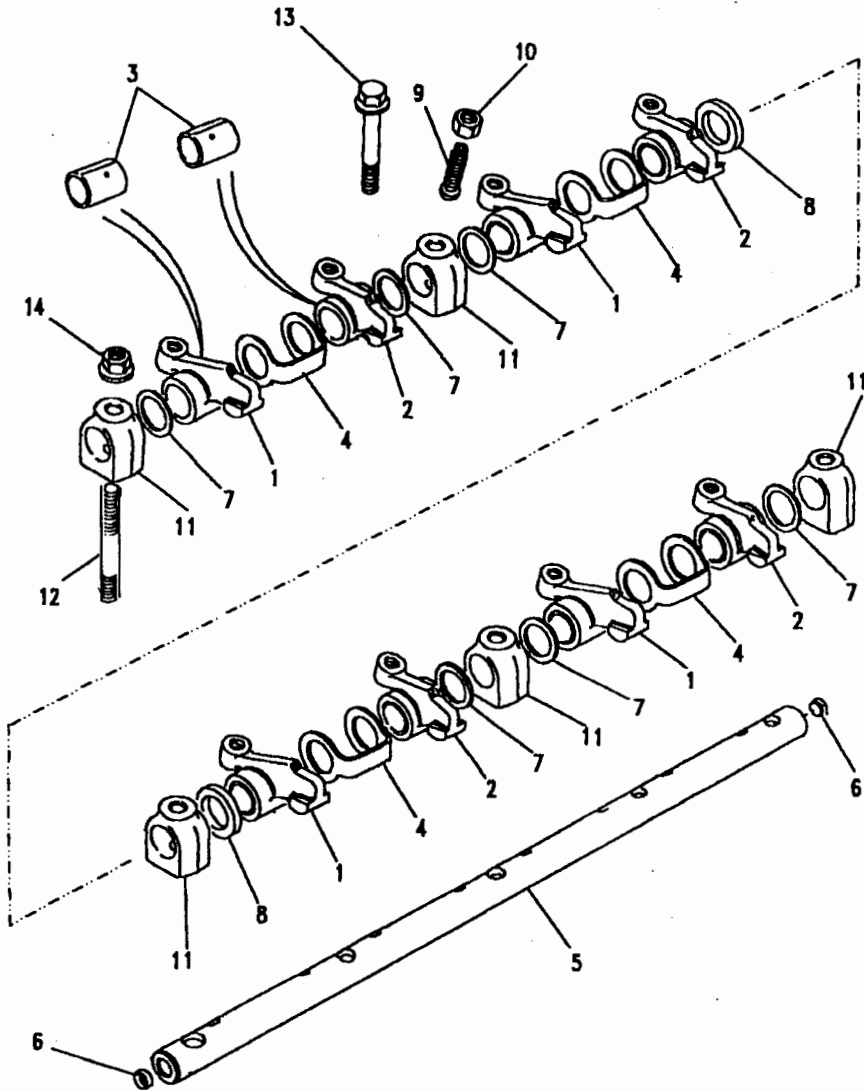
Note(1) Supplied without cup plugs or manifold studs.
 Note(2) Supplied unfinished - ream to fit valve stem.
 Note(3) Up to engine 15L02527B & 25L05529B
 Note(4) From engine 15L02528B & 25L05530B
 Note(5) Must be replaced if cylinder head has been removed or replaced.

Model DEFENDER XD ALL VARIANTS
 Page YDBNGA1A

ENGINE - CYLINDER HEAD - 300TDI

III. Part No.	Description	Qty	Remarks
Brackets and fittings			
18	ETC8036	1	Bracket lifting rear
19	FS108257L	2	Screw flange M8 x 25
20	CP108251L	1	Clip hose
21	PRC2979	1	Bracket harness
22	390939	1	Spacer
23	ETC8031	1	Bracket lifting front
24	FS108207L	2	Screw flange M8 x 20
25	624091	1	Adaptor
26	ERR1019	4	Stud injector clamp
27	ERC9404	1	Bracket
28	FS108161L	1	Screw M8 x 16
29	ETC5577	1	Drain plug
30	FRC4808	1	Washer joint
31	NRC2383	1	Clip harness support
Water temperature sensor - EGR system			
32	ERR2081	1	Sensor temperature
33	ERR894	1	Washer copper





Model DEFENDER XD ALL VARIANTS

Page YDBNGC1A

ENGINE - ROCKER SHAFT - 300TDI

III. Part No.	Description	Qty	Remarks
1	ERR3343	4	Rocker arm assembly RH
2	ERR3342	4	Rocker arm assembly LH
3	ERR1203	8	Bush rocker arm
4	ERR2405	4	Spring rocker shaft
5	ERR4848	1	Shaft rocker assembly
6	ERR3457	2	Cup plug
7	ERR1209	6	Spacer
8	ERR2732	2	Spacer
9	ERR4883	8	Screw tappet adjusting
10	ERR560	8	Lock nut
11	ERR3779	5	Pedestal rocker shaft
12	ERR4687	3	Stud
13	FB108101	2	Bolt flanged M8 x 50
14	FN108047L	3	Nut flanged M8

Model DEFENDER XD ALL VARIANTS
 Page YDBNGE1A

ENGINE - VALVES AND TAPPETS - 300TDI

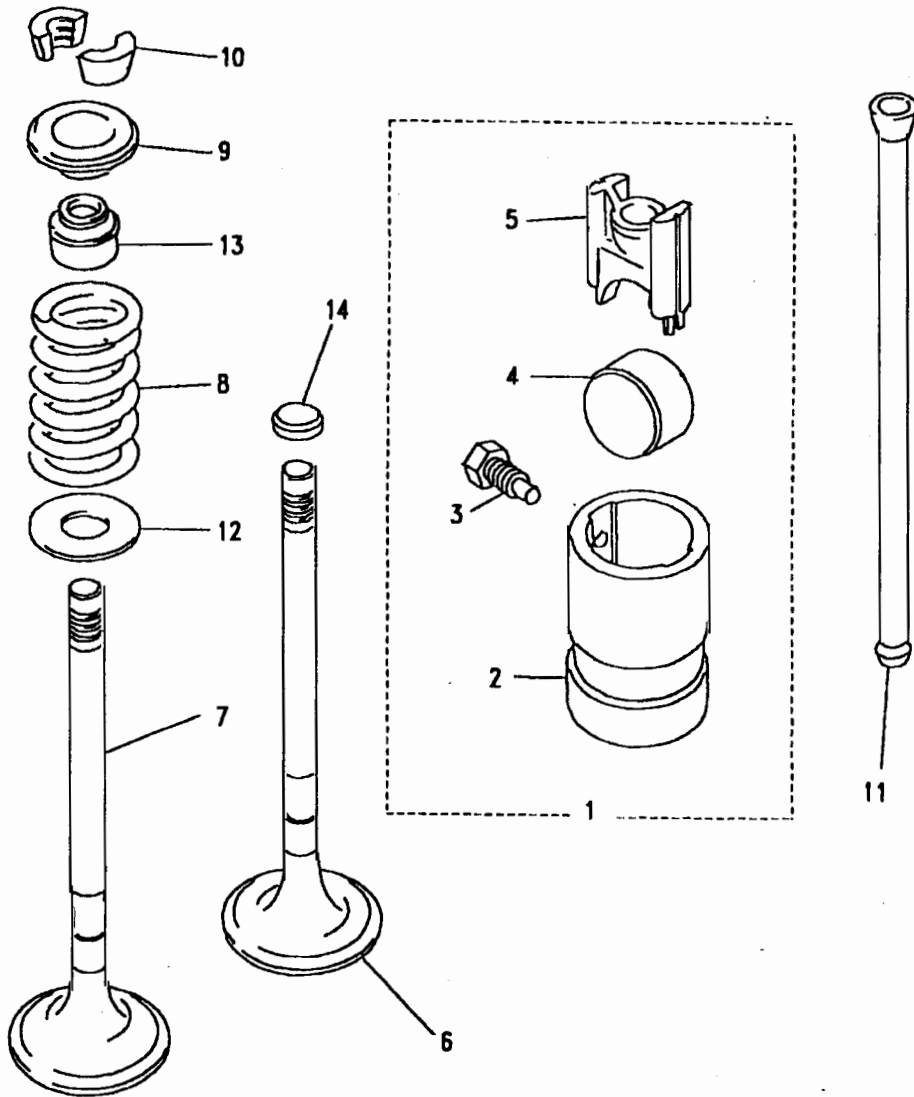
III. Part No.

Description

Qty Remarks

1	RTC6564	Tappet assembly	8
2	502473	Guide	8
3	ETC4246	Bolt	8
4	ERR561	Roller	8
5	ERR607	Tappet slide	8
6	ERR3777	Valve inlet	4
7	ERR1156	Valve exhaust	4
8	ERR4640	Valve spring	8
9	ETC4068	Cup valve spring	8
10	ETC4069	Cotter split	16
11	546799	Push rod	8
12	ETC8193	Seat valve spring	8
13	ETC8663	Seal valve stem	8
14	ERR4175	Cap valve stem	8
	LJC100270	Cap valve stem	8

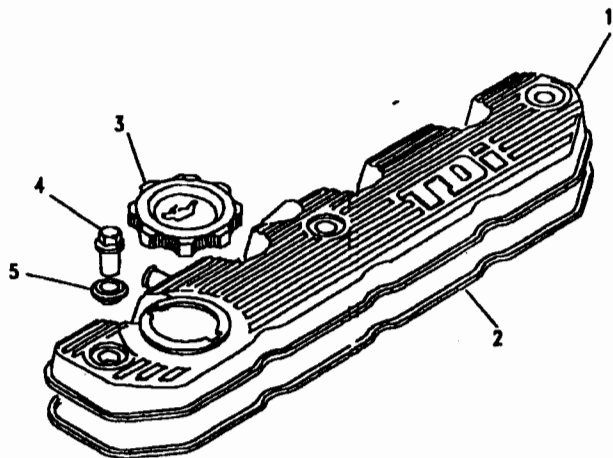
NLA use LJC100270



Model DEFENDER XD ALL VARIANTS
Page YDBNGG1A

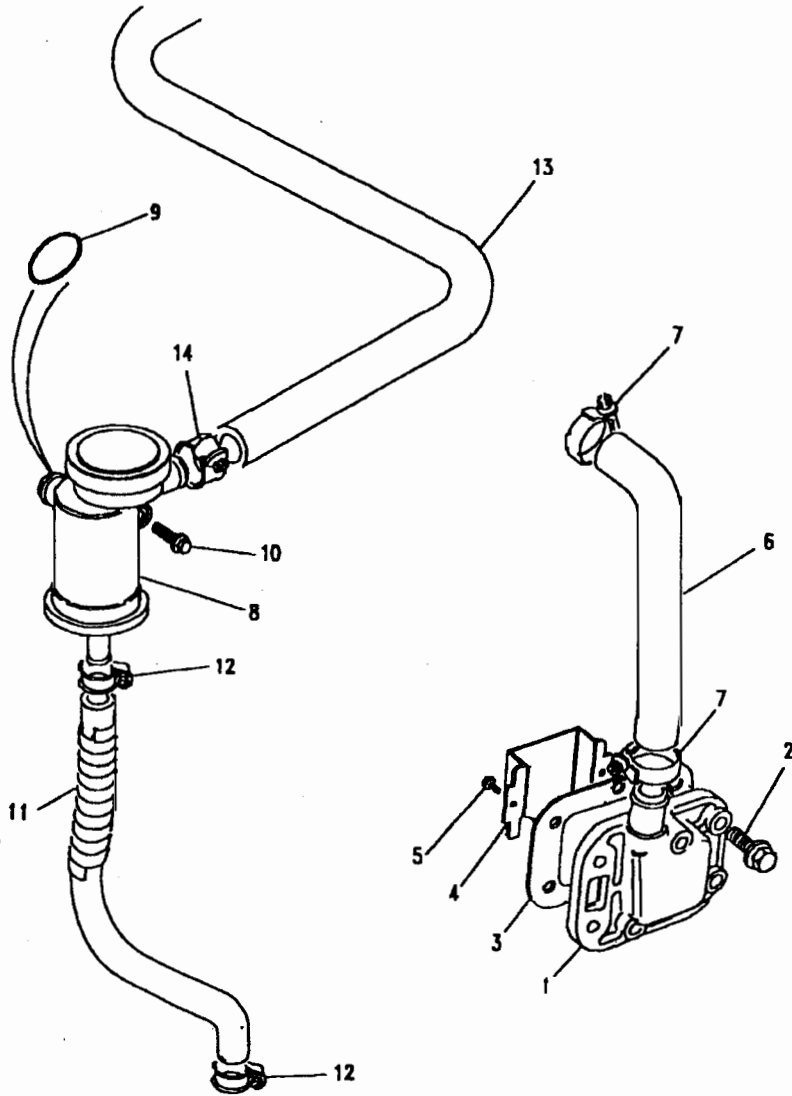
ENGINE - ROCKER COVER - 300TDI

III. Part No.	Description	Qty	Remarks
1 ERR4691	Rocker cover	1	
2 ERR2409	Gasket rocker cover	1	
3 ERR5041	Cap oil filler	1	
4 ERR4834	Screw	3	
5 ERR3424	Washer sealing	3	



Model DEFENDER XD ALL VARIANTS
 Page YDBNGG2A

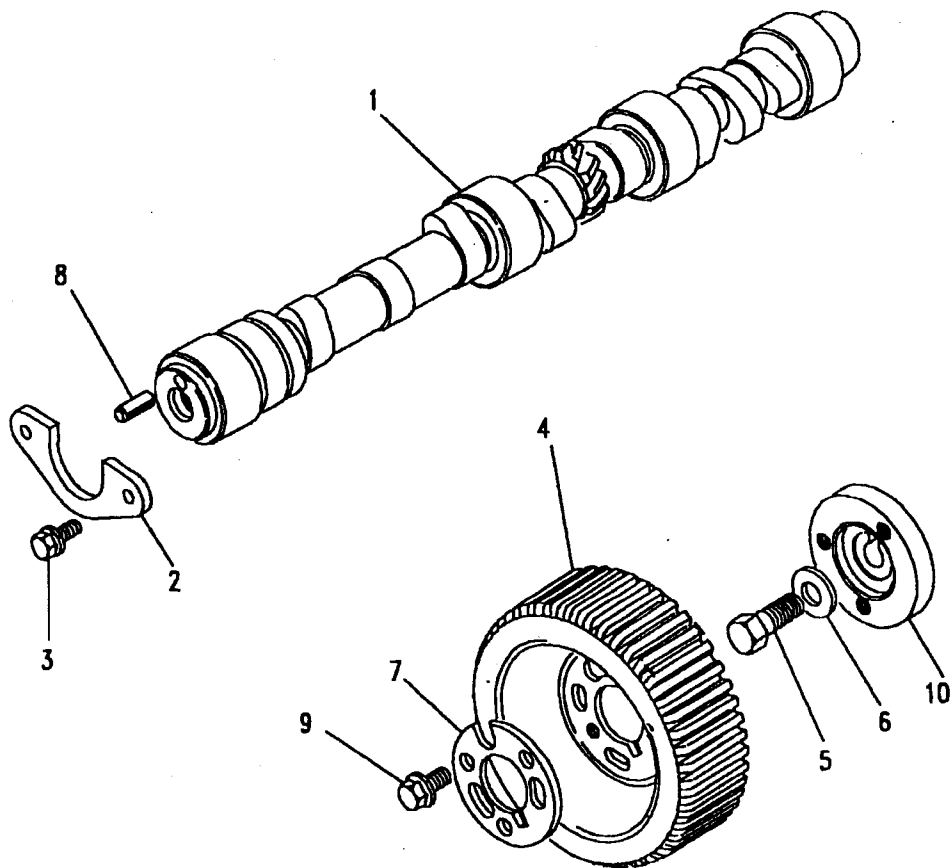
ENGINE - CYCLONE BREATHER - 300TDI



III. Part No.	Description	Qty	Remarks
1	ERR4706	1	Cover side breather
2	FS108257L	3	Screw flange M8 x 25
3	ERR2026	1	Gasket side cover engine
4	ERR874	1	Baffle plate
5	79027	1	Screw
6	ERR3084	1	Hose side to rocker cover
7	CN100258L	2	Clip hose 16-25mm
8	ERR1471	1	Breather cyclone
9	LLO100000	1	O ring
10	FB106111L	1	Bolt flange M6 x 55
11	ERR1351	1	Hose oil drain
12	CN100208L	2	Clip hose 15-20mm
13	ERR4926	1	Hose cyclone to a/cleaner
14	CN100258L	2	Clip hose 16-25mm

Model DEFENDER XD ALL VARIANTS
 Page YDBNG11A

ENGINE - CAMSHAFT - 300TDI



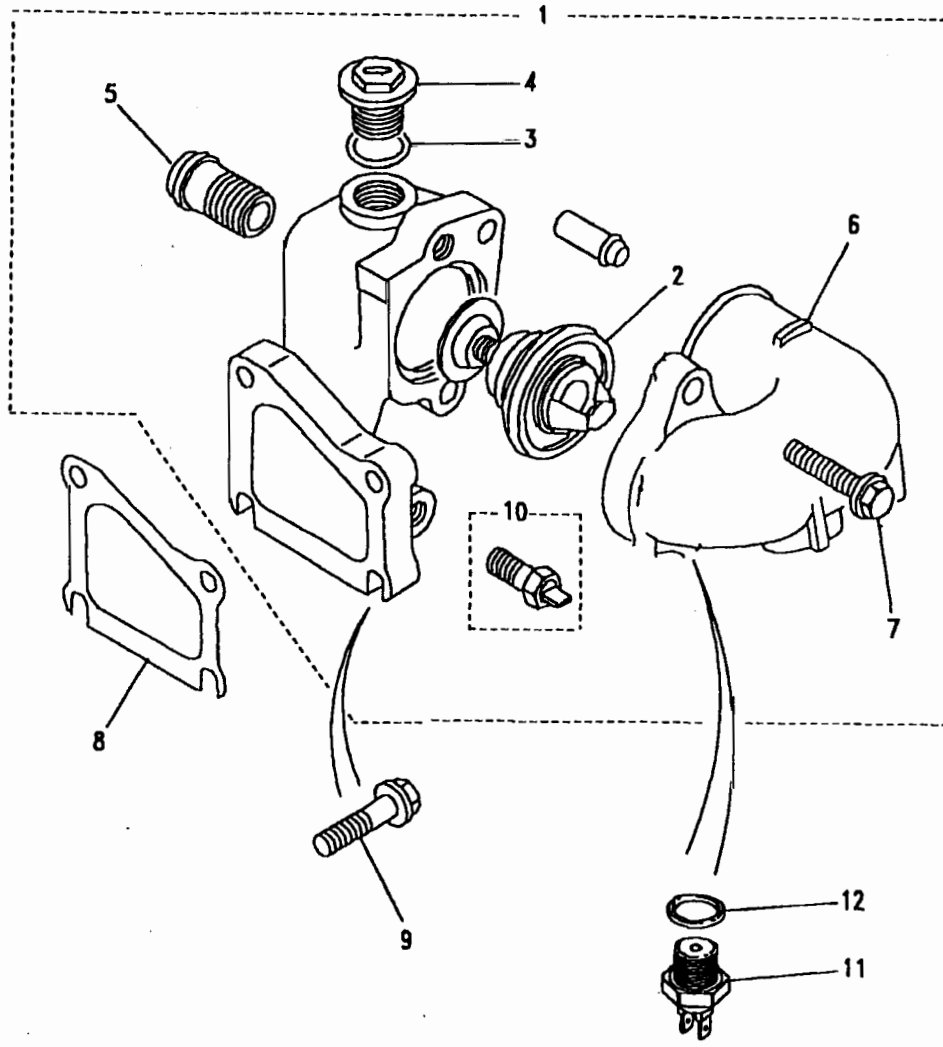
III. Part No.	Description	Qty	Remarks
1 ERR3547	Camshaft	1	
2 ERR3754	Plate thrust camshaft	1	
3 FS106167L	Screw	2	
4 ERR3545	Pulley timing belt	1	
5 BX112091	Bolt M12 x 45	1	Note(1)
FS112401L	Screw M12 x 40	1	Note(2)
6 BDU1496L	Washer	1	Note(1)
7 ERR2216	Plate support	1	
8 ERR4709	Dowel camshaft	1	
9 FS108161L	Screw M8 x 16	3	
10 ERR3756	Hub camshaft pulley	1	

Note(1) Up to engine 15L01265A only.
 Note(2) From engine 15L01266A & 25L00001A

Model DEFENDER XD ALL VARIANTS

Page YDBNGK1A

ENGINE - THERMOSTAT - 300TDI

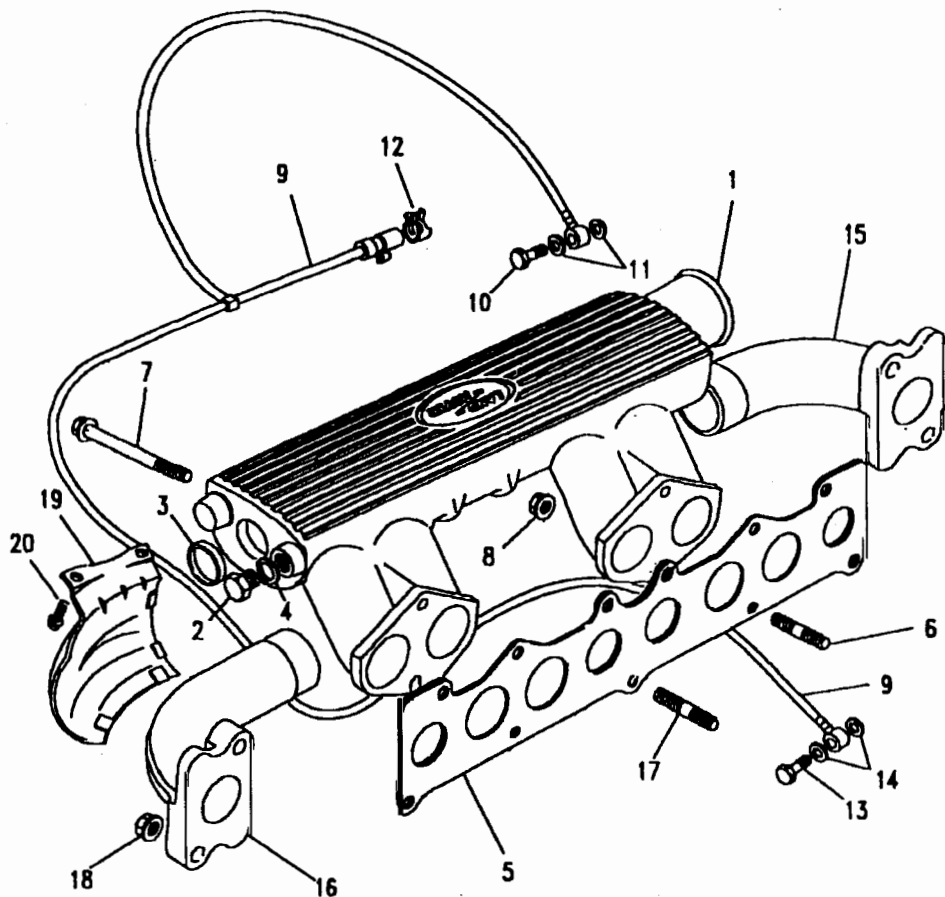


III. Part No.	Description	Qty	Remarks
1 ERR3479	Housing thermostat	1	
2 ERR3291	Thermostat	1	
3 ERR4685	O ring	1	
4 ERR4686	Plug	1	
5 ERR3622	Pipe	1	Note(1)
PEP102840	Pipe	1	Note(2)
6 ERR3737	Connector water outlet	1	
ERR3738	Connector water outlet	1	Tropical ambulance
7 FS108257L	Screw flange M8 x 25	2	
8 ERR3490	Gasket thermostat housing	1	
9 FS108257L	Screw flange M8 x 25	4	
10 AMR3321	Transmitter temperature	1	
11 PRC3505	Sensor coolant temp	1	Yellow - note(3)
PRC3359	Switch temperature	1	Green - note(3)
12 AYF100120	Washer sealing	1	Note(3)

Note(1) Up to engine 15L02834B & 25L06152B
 Note(2) From engine 15L02835B & 25L06153B
 Note(3) Tropical ambulance - air-conditioning system.

Model DEFENDER XD ALL VARIANTS
Page YDBNHA1A

ENGINE - MANIFOLDS - 300TDI



III. Part No.	Description	Qty	Remarks
1	ERR3481	1	Manifold inlet
2	ETC5577	1	Drain plug
3	524765	1	Cup plug
4	ERR894	1	Washer copper
5	ERR3785	1	Gasket manifold
6	TE108051L	2	Stud M8 x 25
7	FB108171	2	Bolt flange M8 x 85
8	FN108047L	2	Nut M8
9	ERR7328	1	Pipe assembly boost
	MSP100980	1	Pipe assembly boost
			Note(1)
10	ERR7331	1	Bolt banjo front cover
11	ERR7330	2	Washer copper
12	UKC3803L	1	Clip spring
13	ERR886	1	Bolt banjo boost capsule
14	273069	2	Washer joint
15		1	Manifold exhaust LH
16		1	Manifold exhaust RH
			NSS - note(3)
17	TE110071L	7	Stud M10 x 35
18	FX110041	7	Nut flange M10
19	ESR2422	1	Heatshield manifold
20	FS105101	2	Screw flange M5 x 10

Note(1)
 Note(2)
 Note(3)

Up to engine 15L01620A
 From engine 15L01621A & 25L00001A
 Supplied as part of the turbocharger assembly.

Model DEFENDER XD ALL VARIANTS

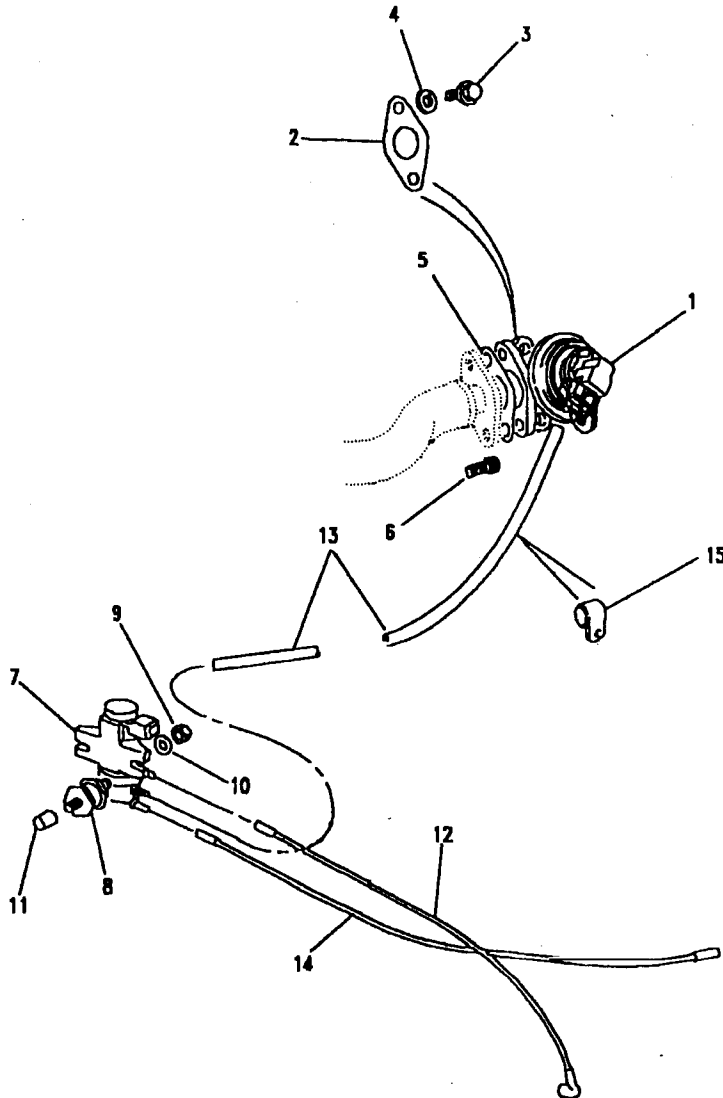
Page YDBNHE1A

ENGINE - EGR VALVE & MODULATOR

III. Part No. Description Qty Remarks

Exhaust Gas Recirculation - engine prefix 25L

Part No.	Description	Qty	Remarks
1	ERR4047 Valve EGR	1	
2	ERR7173 Gasket valve to exh manif	1	
3	SS108251 Screw M8 x 25	2	
4	WM600051L Washer spring	2	
5	ERR3319 Gasket valve to mix tube	1	NLA use ERR3791
	ERR3791 Gasket valve to mix tube	1	
6	FS108201L Screw M8 x 20	2	
7	ERR3314 Modulator EGR valve	1	
8	ERR2337 Mounting rubber flexible	2	
9	NY106047L Nut nyloc M6	2	
10	WA106041L Washer plain M6	2	
11	NN106021 Nutsert M6	2	
12	ESR3107 Pipe modltr/air clr hose	1	
13	ESR3308 Pipe modulator/EGR valve	1	
14	ESR3105 Pipe modltr/serv vac hose	1	
15	50639 Clip pipe	1	

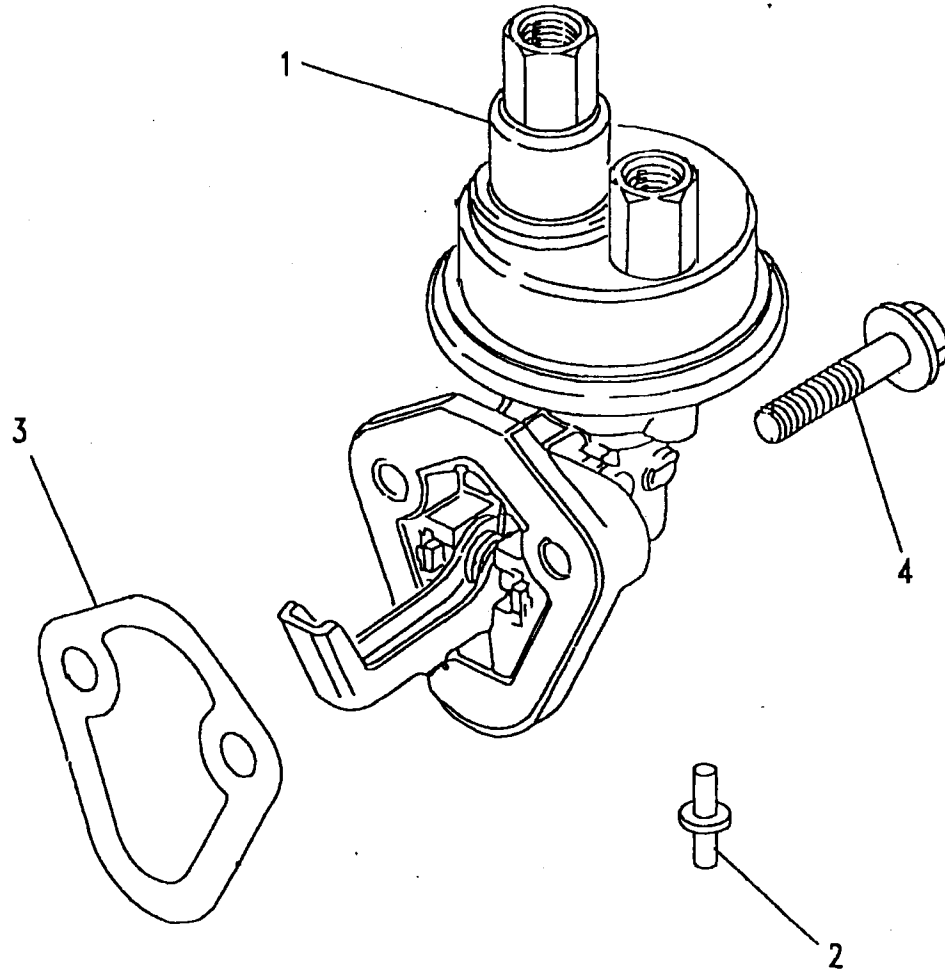


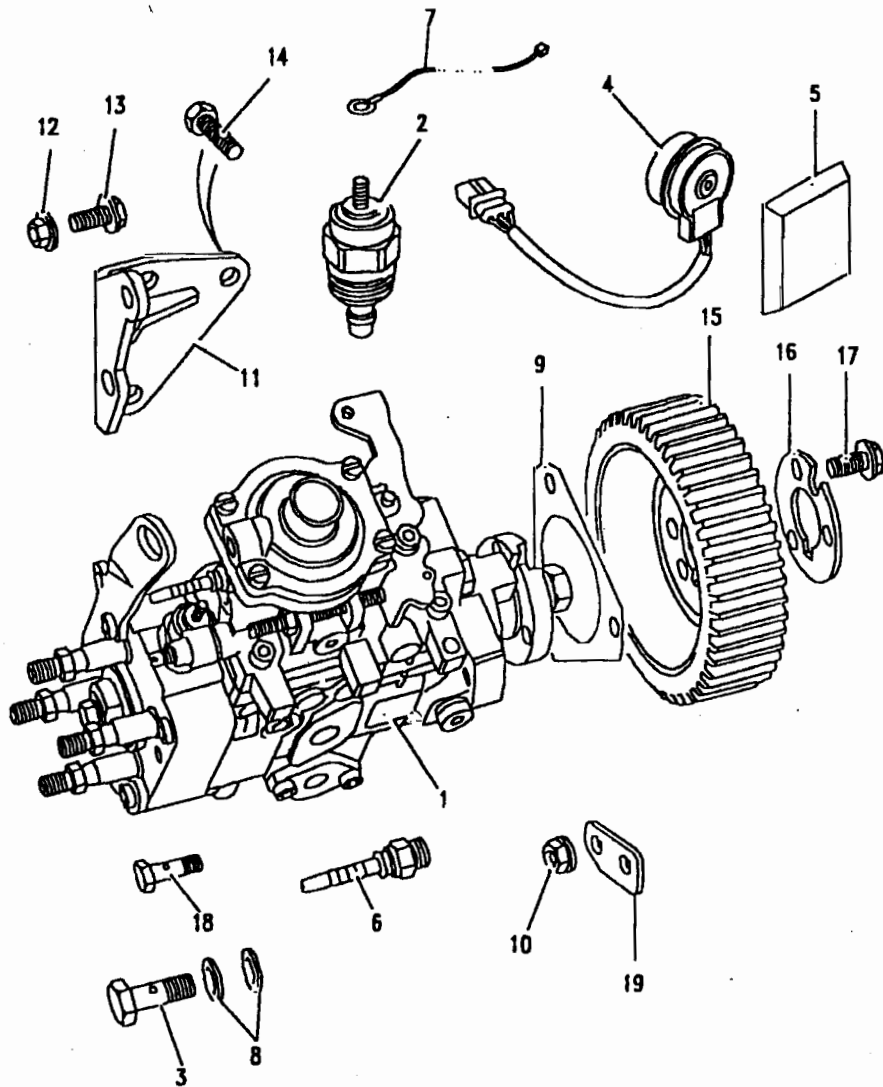
Model DEFENDER XD ALL VARIANTS
Page YDBNKA1A

ENGINE - FUEL LIFT PUMP - 300TDI

III. Part No.	Description	Qty	Remarks
1 ERR5057	Pump fuel lift	1	
WND100120	Pump fuel lift	1)Waterproof
2 WNP100000	Breather	1)vehicles
3 ERR2028	Gasket fuel pump	1	Note(1)
ERR7339	Gasket fuel pump	1	Note(2)
4 FS108307L	Screw flange M8 x 30	2	

Note(1) Up to engine 15L01861A & 25L01188A
 Note(2) From engine 15L01862A & 25L01189A





Model DEFENDER XD ALL VARIANTS

Page YDBNKC1A

ENGINE - FUEL INJECTION PUMP - 300TDI

III. Part No. Description Qty Remarks

Fuel injection pump - non EGR - engine prefix 15L

1	ERR5056	Pump fuel injection	1
2	STC3315	Switch fuel cut off	1
3	STC3597	Bolt banjo spill rail	1

Fuel injection pump - EGR - engine prefix 25L

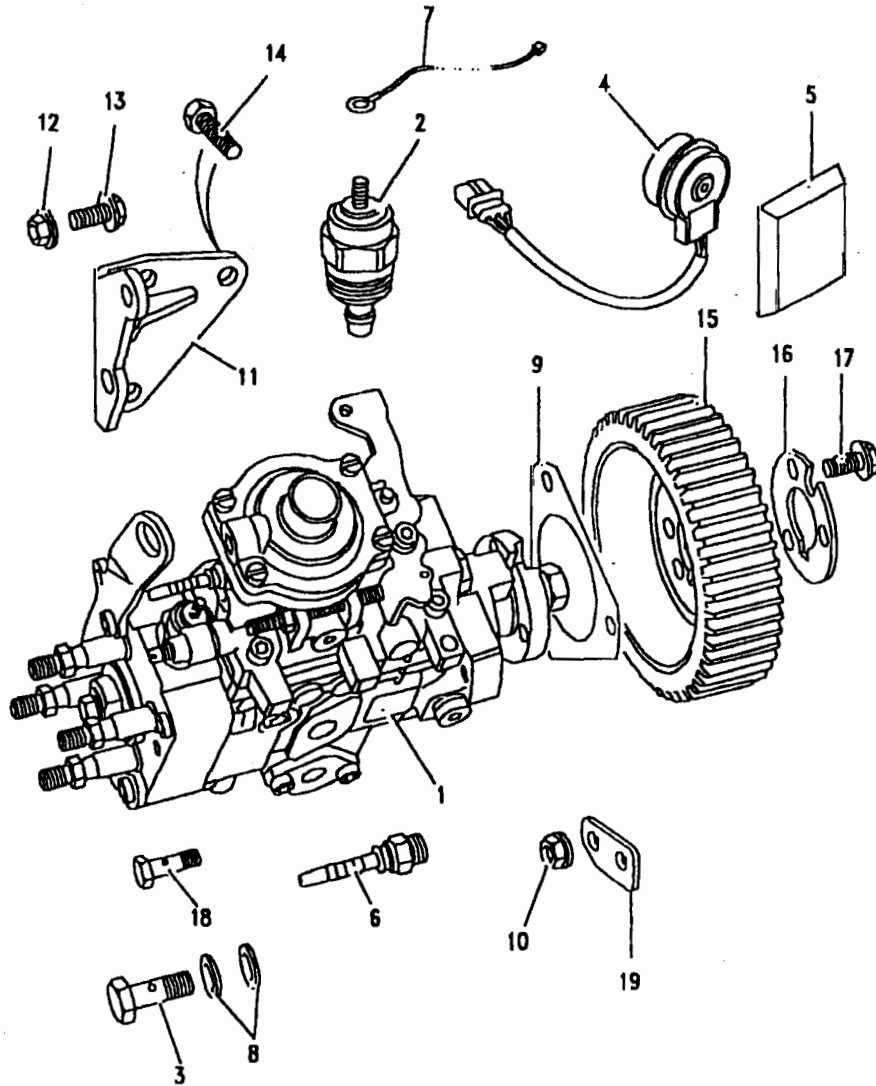
1	ERR7299	Pump fuel injection	1
2	STC3819	Switch fuel cut off	1
3	STC3597	Bolt banjo spill rail	1
4	STC3820	Potentiometer	1

Fuel injection pump - waterproof assy - engine prefix 25L

1	MJQ100100	Pump fuel injection	1
2	STC3819	Switch fuel cut off	1
3	STC3597	Bolt banjo spill rail	1
4	STC3820	Potentiometer	1
5	MVC100040	Cover potentiometer	1
6	MSO100020	Breather boost diaphragm	1
7	YSB107190	Harness link FIP cut off	1

All variants

8	ERR894	Washer copper	2
9	ERR2023	Gasket fuel pump	1
10	FN108047L	Nut flanged M8	3
11	ERR6835	Bracket support	1
12	FN108047L	Nut flanged M8	2
13	FS108207L	Screw flange M8 x 20	2
14	FB108101	Bolt flanged M8 x 50	3

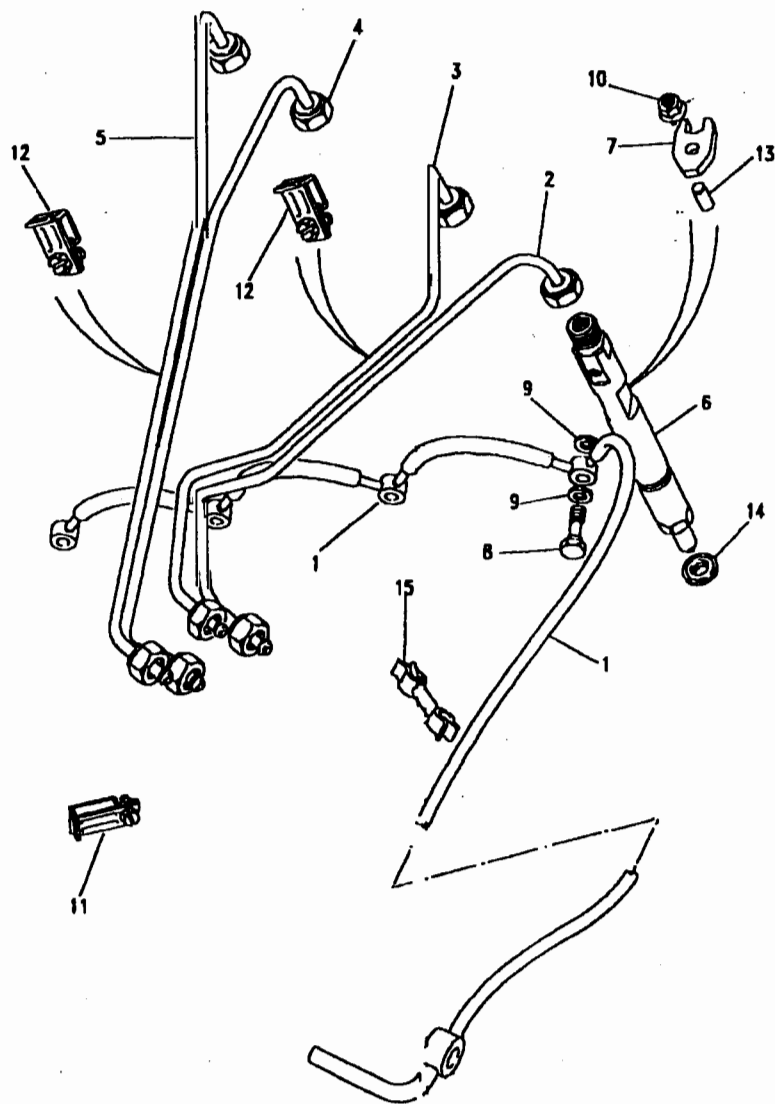


Model DEFENDER XD ALL VARIANTS
Page YDBNKC1A

ENGINE - FUEL INJECTION PUMP - 300TDI

III. Part No.	Description	Qty	Remarks
15 ERR3545	Pulley injection pump	1	
16 ERR2216	Plate support	1	
17 FS108161L	Screw flange M8 x 16	3	
18	Bolt banjo	1	Note(1&2)
19 ERC9404	Bracket	1	

Note(1) For boost pipe connection see page 40
 Note(2) For fuel supply connection see page 170



Model DEFENDER XD ALL VARIANTS
Page YDBNKE1A

ENGINE - FUEL INJECTORS AND PIPES - 300TDI

III. Part No.	Description	Qty	Remarks
1	ERR3306	1	
2	STC1694	1	
3	STC1695	1	
4	STC1696	1	
5	STC1697	1	
6	ERR3339	4	
7	ERR3780	4	
8	STC3297	4	Note(1)
9	ERR1304	1	Note(2)
10	FN108047L	8	
11	STC1738	4	
12	STC1739	2	
13	ERR3468	2	
14	ERR4621	4	
15	DCP7384L	4	

Note(1)

NSS - supplied as part of kit STC3297

Note(2)

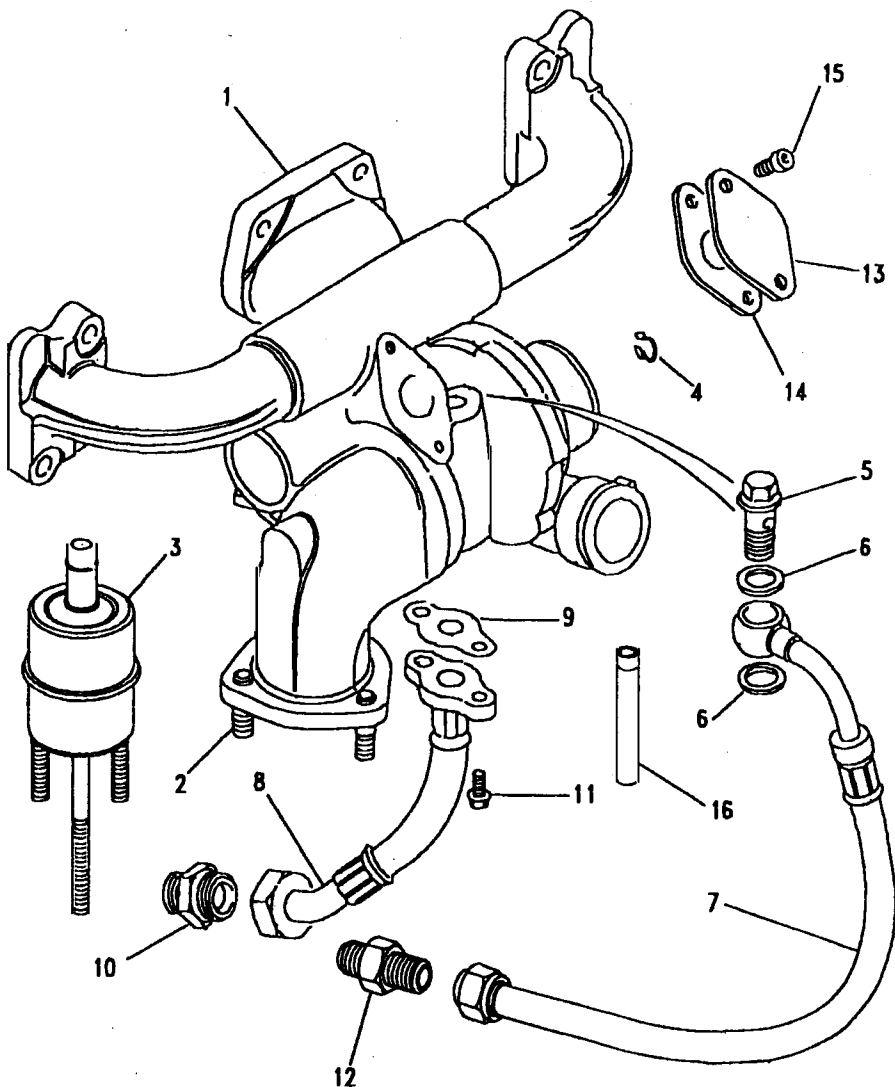
Contains 4 banjo bolts and 8 joint washers.

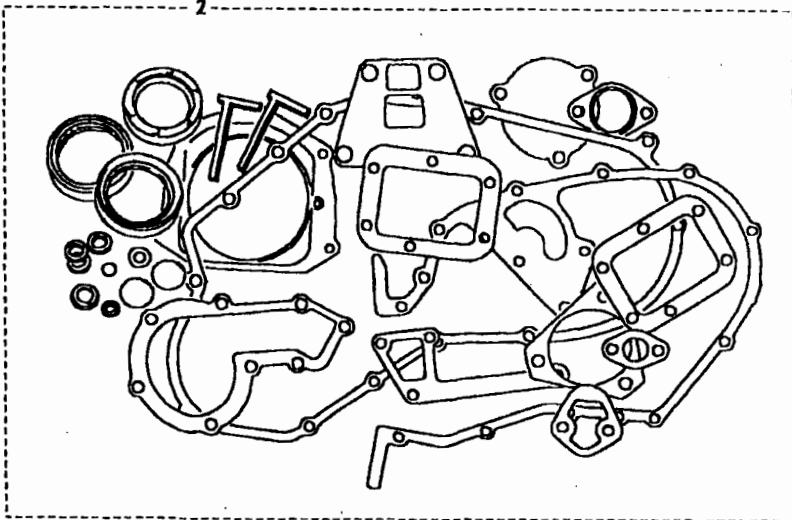
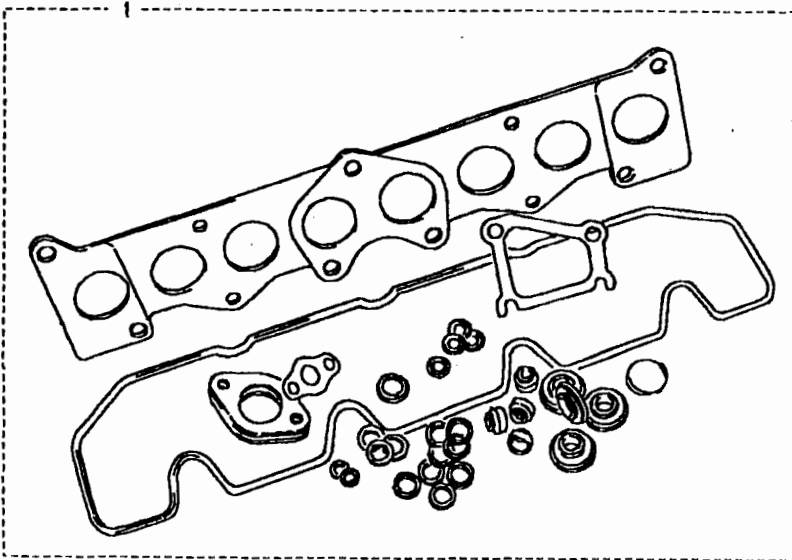
Model DEFENDER XD ALL VARIANTS
 Page YDBNLA1A

ENGINE - TURBOCHARGER - 300TDI

III. Part No.	Description	Qty	Remarks
1	ERR4802	1	
	ERR4802E	1	Exchange
	LKC102590	1	Waterproof
2	STC3159	3	
3	STC3084	1	
4	STC3592	1	
5	ERR1125	1	
6	FRC4808	1	
7	ERR4894	2	
8	ERR4895	1	
9	ERR2109	1	
10	ERR335	1	
11	FS108207L	2	
12	ETC8820	1	
13	ERR4698	1	
14	ERR5455	1	Note(1)
15	SS108201	2	
16	PMM100080	1	Waterproof

Note(1) For EGR valve gasket see page 41





Model DEFENDER XD ALL VARIANTS
Page YDBNMA1A

ENGINE - GASKET KITS - 300TDI

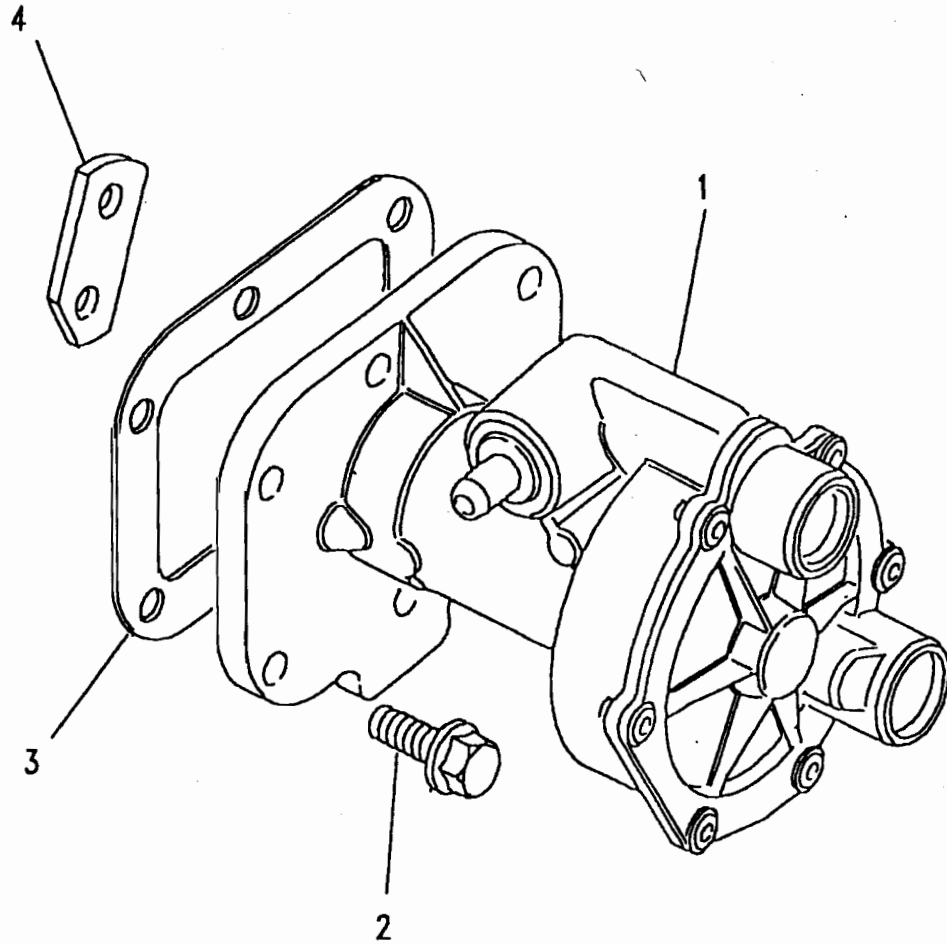
III. Part No.	Description	Qty	Remarks
1 STC2802	Kit gasket decarbonising		
2 STC2801	Kit gasket overhaul		

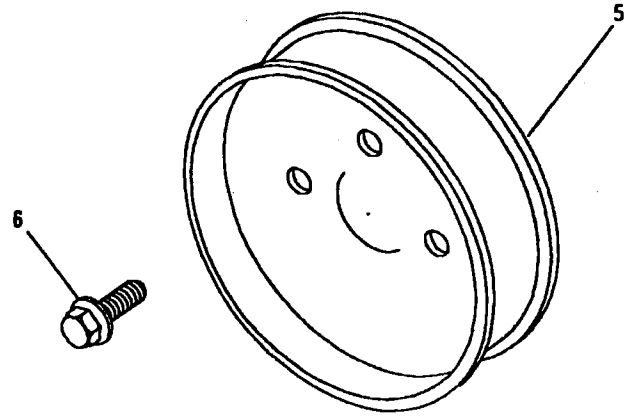
Model DEFENDER XD ALL VARIANTS

Page YDBNNA1A

ENGINE - VACUUM PUMP - 300TDI

III. Part No.	Description	Qty	Remarks
1 ERR3539	Pump vacuum	1	
2 FS108207L	Screw flange M8 x 20	5	
3 ERR2027	Gasket vacuum pump	1	
4 ERC9404	Bracket mounting	1	

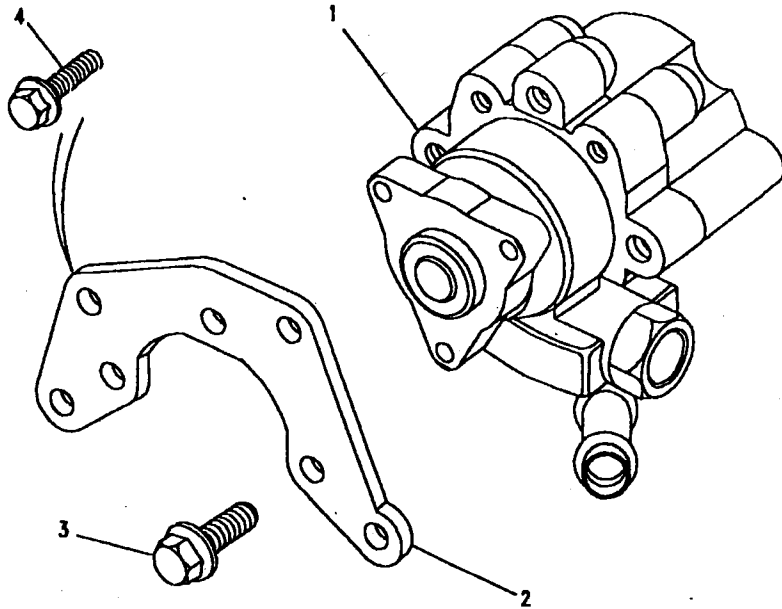




Model DEFENDER XD ALL VARIANTS
Page YDBNNC1A

ENGINE - POWER STEERING PUMP - 300TDI

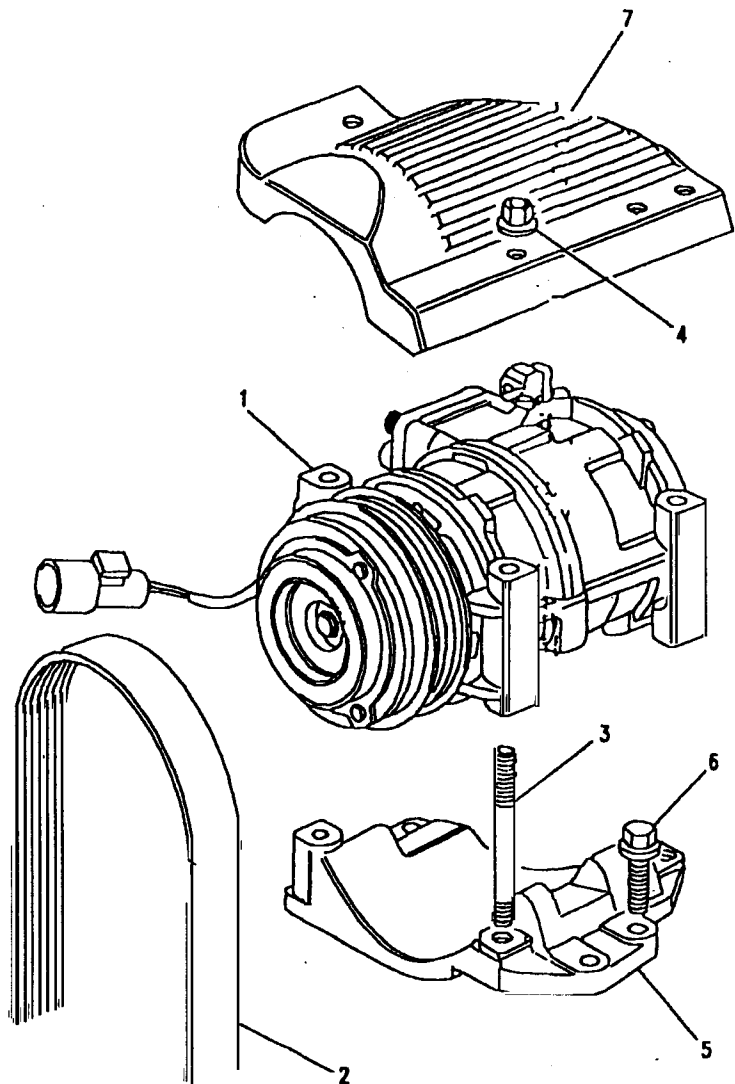
III. Part No.	Description	Qty	Remarks
1 ANR2157	Pump power steering	1	
2 ERR2228	Bracket mounting	1	
3 FS108161L	Screw flange M8 x 16	3	
4 FS108207L	Screw flange M8 x 20	4	
5 ERR3733	Pulley pump	1	
6 FS108127L	Screw flange M8 x 12	3	

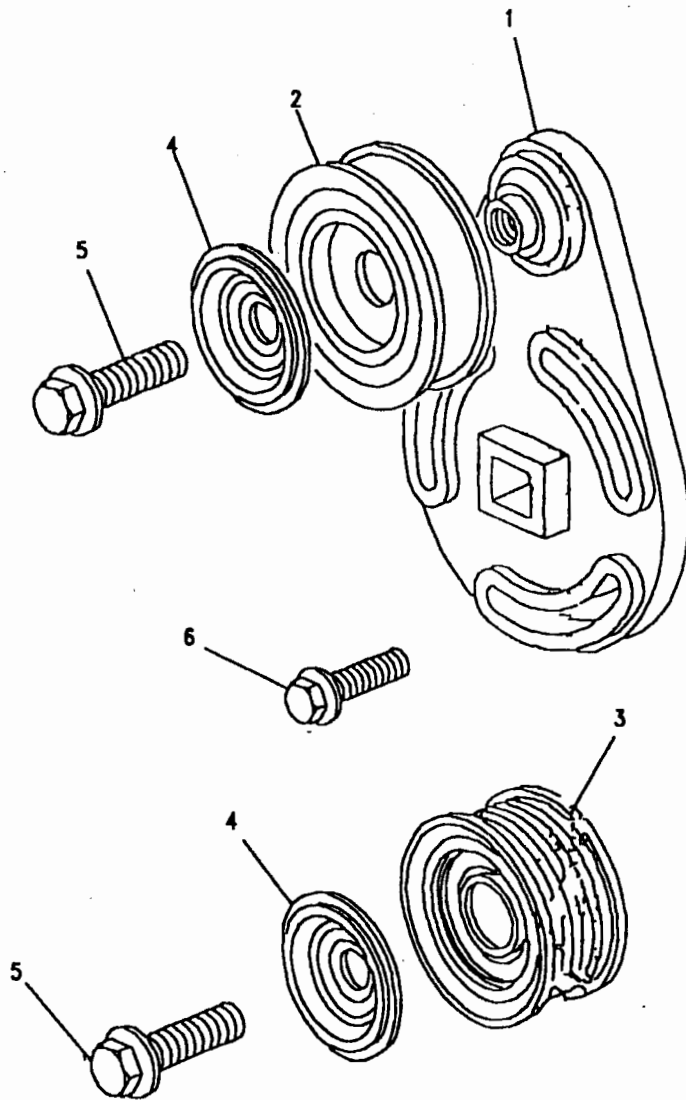


Model DEFENDER XD ALL VARIANTS
 Page YDBNNE1A

ENGINE - AIR CONDITIONING - COMPRESSOR - TROPICAL AMBULANCE

III. Part No.	Description	Qty	Remarks
1	BTR4717	1	Compressor air-con
2	ERR2215	1	Belt drive air-con
3	STC4411	3	Stud M8 x 100
4	FN108047L	6	Nut M8
5	ERR4975	1	Bracket a/con compressor
6	FS110301L	4	Screw M10 x 30
7	ERR4639	1	Guard air-con belt

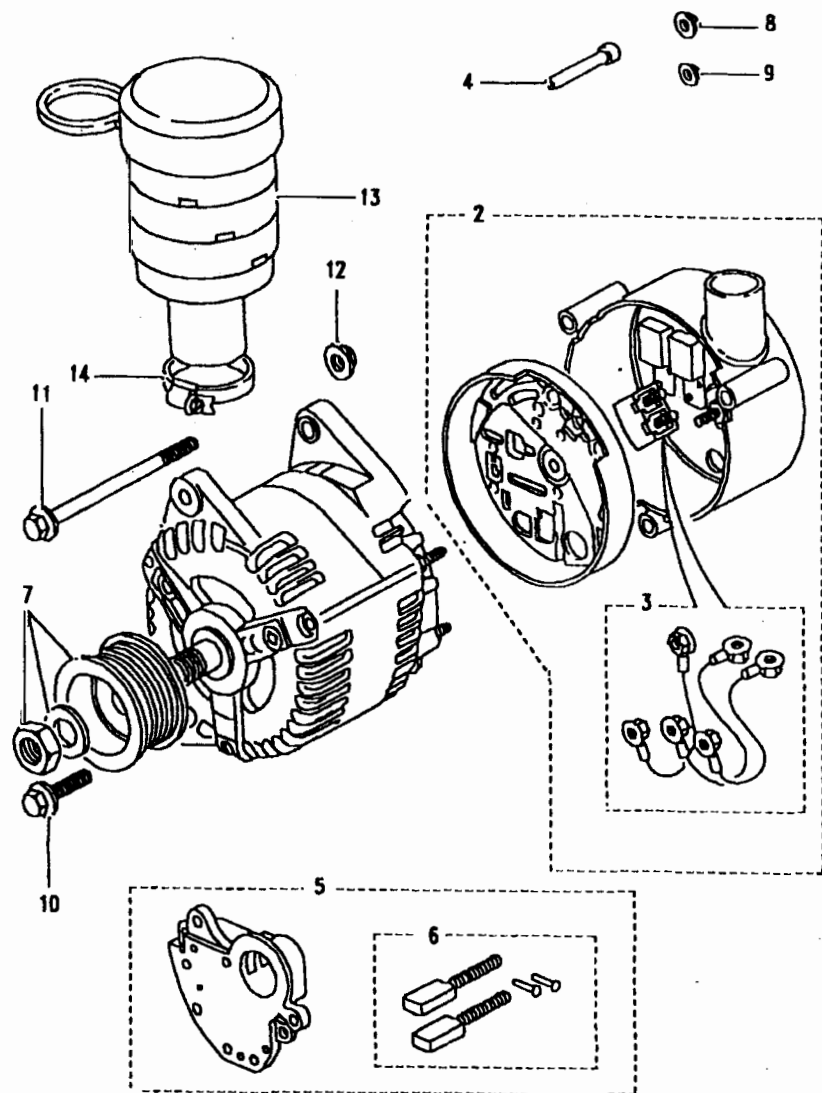




Model DEFENDER XD ALL VARIANTS
Page YDBNNE2A

ENGINE - AIR CONDITIONING - IDLER PULLEYS - TROPICAL AMBULANCE

III. Part No.	Description	Qty	Remarks
1	ERR7386	1	Arm tensioner
2	ERR2797	1	Pulley tensioner
3	ERR2798	1	Pulley idler
4	ERR3807	2	Cover dust
5	FS110301L	2	Screw M10 x 30
6	FS108257L	3	Screw M8 x 25

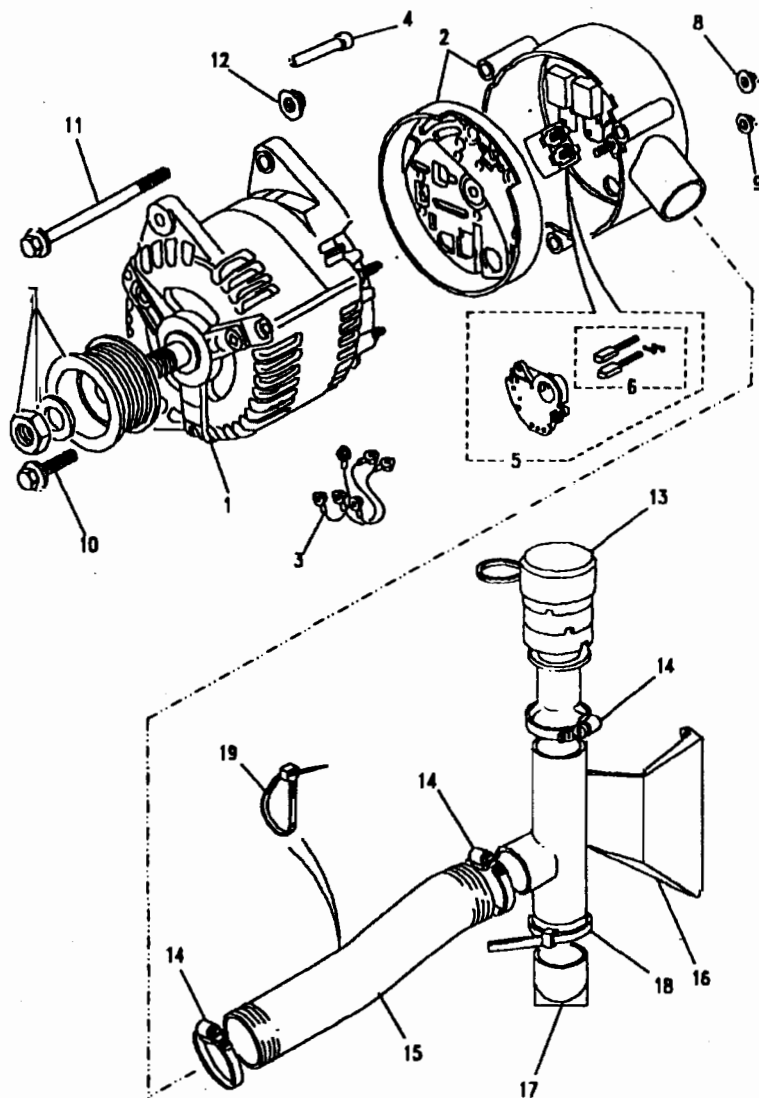


Model DEFENDER XD ALL VARIANTS
Page YDBNPC1A

ENGINE - ALTERNATOR - SINGLE - LOWER

III. Part No.	Description	Qty	Remarks
Non EGR - engine prefix 15L			
1	RRC8642	1	Alternator 24 Volt
2	YLR100170	1	Screening can assembly
3	YLS100080	1	Kit leads screening can
4	YLD100080	3	Bolt screening can
5	YLS100090	1	Regulator assembly
6	YKR100050	1	Kit brush alternator
7	PQZ100020	1	Pulley alternator
8	FN106047L	1	Nut flanged M6
9	FN105047L	1	Nut flanged M5
10	FS108307L	1	Screw flanged M8x30
11	FB108251	1	Bolt flanged M8x125
12	FX108047L	1	Nut flanged M8
13	AMR5127	1	Duct air alternator
14	CN100508L	1	Clip duct

- Note(1) Fitted to all non EGR vehicles.
 Note(2) Supplied with leads and plastic dust cover.
 Note(3) Supplied with brushes and protective cap.
 Note(4) Supplied with nut and washer.



Model DEFENDER XD ALL VARIANTS

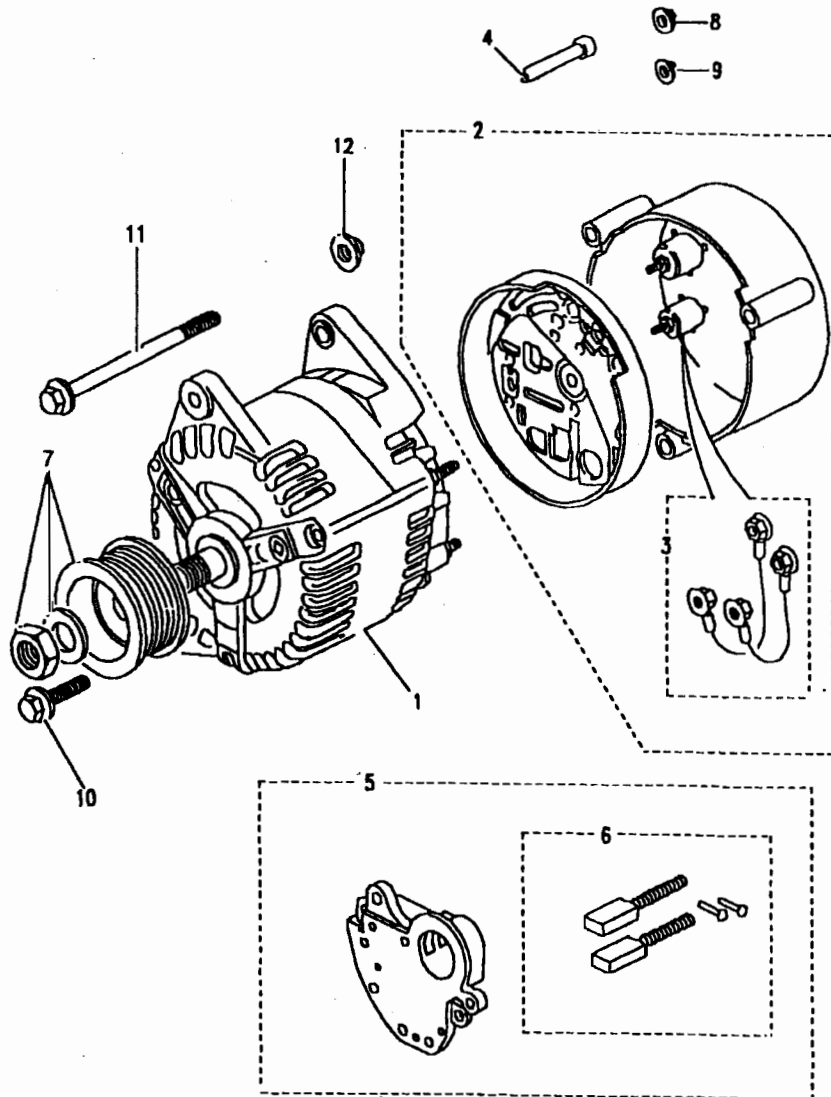
Page YDBNPC1B

ENGINE - ALTERNATOR - SINGLE - LOWER

III. Part No.	Description	Qty	Remarks
Vehicles with EGR - engine prefix 25L			
1 RRC8761	Alternator 24 Volt	1	
2 YLE102240	Alternator 24 Volt	1	Waterproof
3 YLR100180	Screening can assembly	1	Note(1)
4 YLS100080	Kit leads screening can	1	
5 YLD100080	Bolt screening can	3	
6 YLS100090	Regulator assembly	1	Note(2)
7 YKR100050	Kit brush alternator	1	
8 PQZ100020	Pulley alternator	1	Note(3)
9 FN106047L	Nut flanged M6	1	B terminal
10 FN105047L	Nut flanged M5	1	D terminal
11 FS108307L	Screw flanged M8x30	1	
12 FB108251	Bolt flanged M8x125	1	
13 FX108047L	Nut flanged M8	1	
14 AMR5127	Duct air alternator	1	
15 CN100508L	Clip duct	3	
16 CN100508L	Clip duct	2)Waterproof)
17 IPN100020	Clip duct	1	
18 RRC8808	Tube alternator to duct	1	
19 RRC8809	Connector bracket	1	
20 MUC2417	Dump valve	1	
21 568680	Strap retaining	1	
22 ESR3301	Strap retaining	1	

Waterproof vehicles - electrical spray sealant - note(4)
 STC4356 Sealant spray A/R 400ml

- Note(1) Supplied with leads and plastic dust cover.
- Note(2) Supplied with brushes and protective cap.
- Note(3) Supplied with nut and washer.
- Note(4) Must be used to cover internal connections after repair.



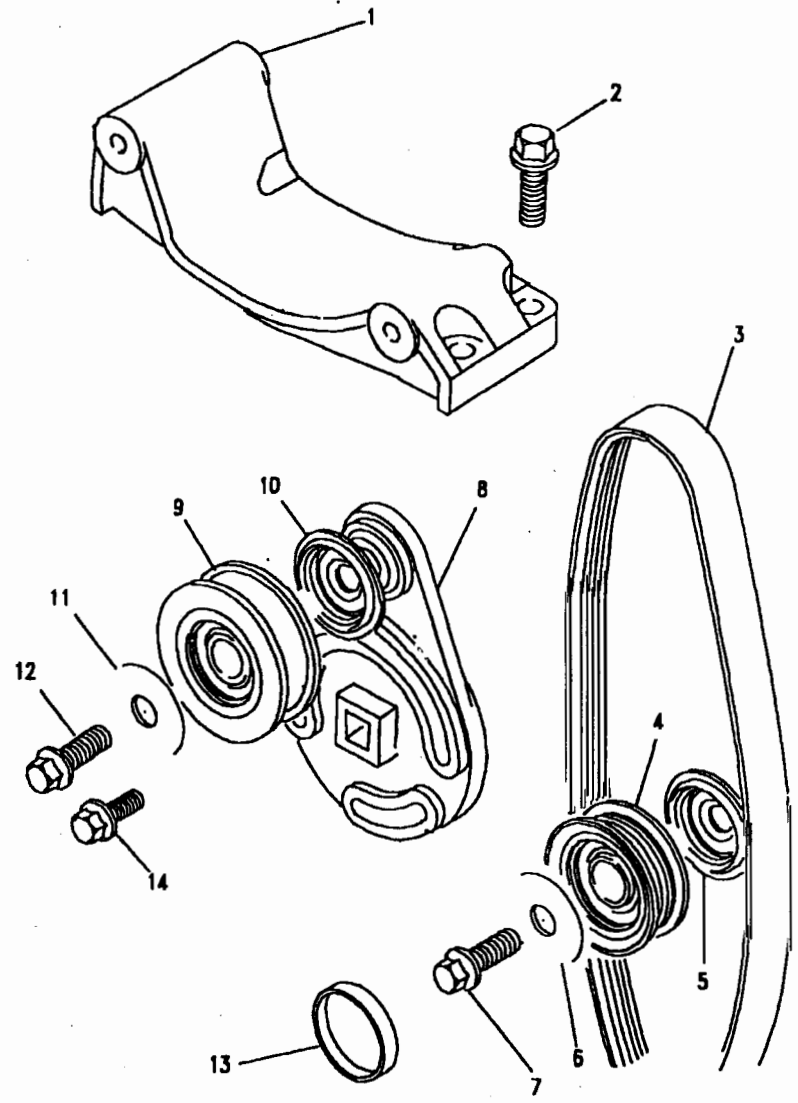
Model DEFENDER XD ALL VARIANTS
Page YDBNPC2A

ENGINE - ALTERNATOR - TWIN - UPPER (FFR)

III. Part No.	Description	Qty	Remarks
1	RRC8560	1	Alternator 24 Volt
	YLE102250	1	Alternator 24 Volt
2	YLR100190	1	Screening can assembly
3	YLS100080	1	Kit leads screening can
4	YLD100080	3	Bolt screening can
5	YLS100090	1	Regulator assembly
6	YKR100050	1	Kit brush alternator
7	PQZ100030	1	Pulley alternator
8	FN106047L	1	Nut flanged M6
9	FN105047L	1	Nut flanged M5
10	FB108121L	1	Screw flanged M8x60
11	FB108251	1	Bolt flanged M8x125
12	FX108047L	1	Nut flanged M8

Waterproof vehicles - electrical spray sealant - note(4)
 STC4356 Sealant spray A/R 400ml

- Note(1) Supplied with leads and plastic dust cover.
- Note(2) Supplied with brushes and protective cap.
- Note(3) Supplied with nut and washer.
- Note(4) Must be used to cover internal connections after repair.



Model DEFENDER XD ALL VARIANTS
Page YDBNPC3A

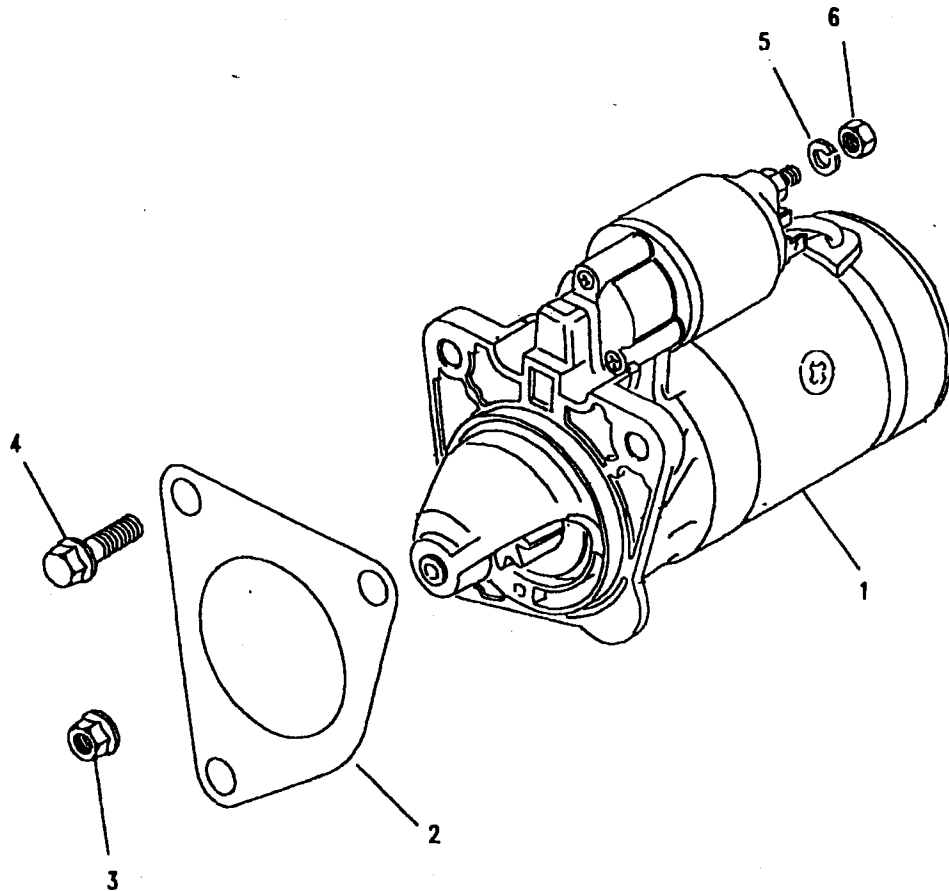
ENGINE - ALTERNATOR - BRACKET - PULLEYS & BELT (FFR)

III. Part No.	Description	Qty	Remarks
1 ERR5870	Bracket mounting altr	1	
2 FS110301L	Screw flanged M10x30	4	
3 ERR6005	Belt drive altr FFR	1	
4 ERR7295	Pulley idler	1	
PQR101080	Pulley idler	1	Waterproof
5 ERR7298	Flinger rear	1	
6 WJ110007L	Washer plain M10	1	
7 FS110301L	Screw flanged M10x30	1	
8 ERR7386	Arm tensioner	1	
9 ERR7387	Pulley tensioner	1	Repair kit -note(1)
ERR7296	Pulley tensioner	1	
PQR101090	Pulley tensioner	1	Waterproof
10 ERR7298	Flinger rear	1	
11 WJ110007L	Washer plain M10	1	
12 FS110301L	Screw flanged M10x30	1	
13 ERR7297	Cover dust	2	
14 FS108257L	Screw flanged M8x25	3	

Note(1) Includes pulley and fixings - standard (non-waterproof) vehicles only

Model DEFENDER XD ALL VARIANTS
Page YDBNPE1A

ENGINE - STARTER MOTOR - 24 VOLT



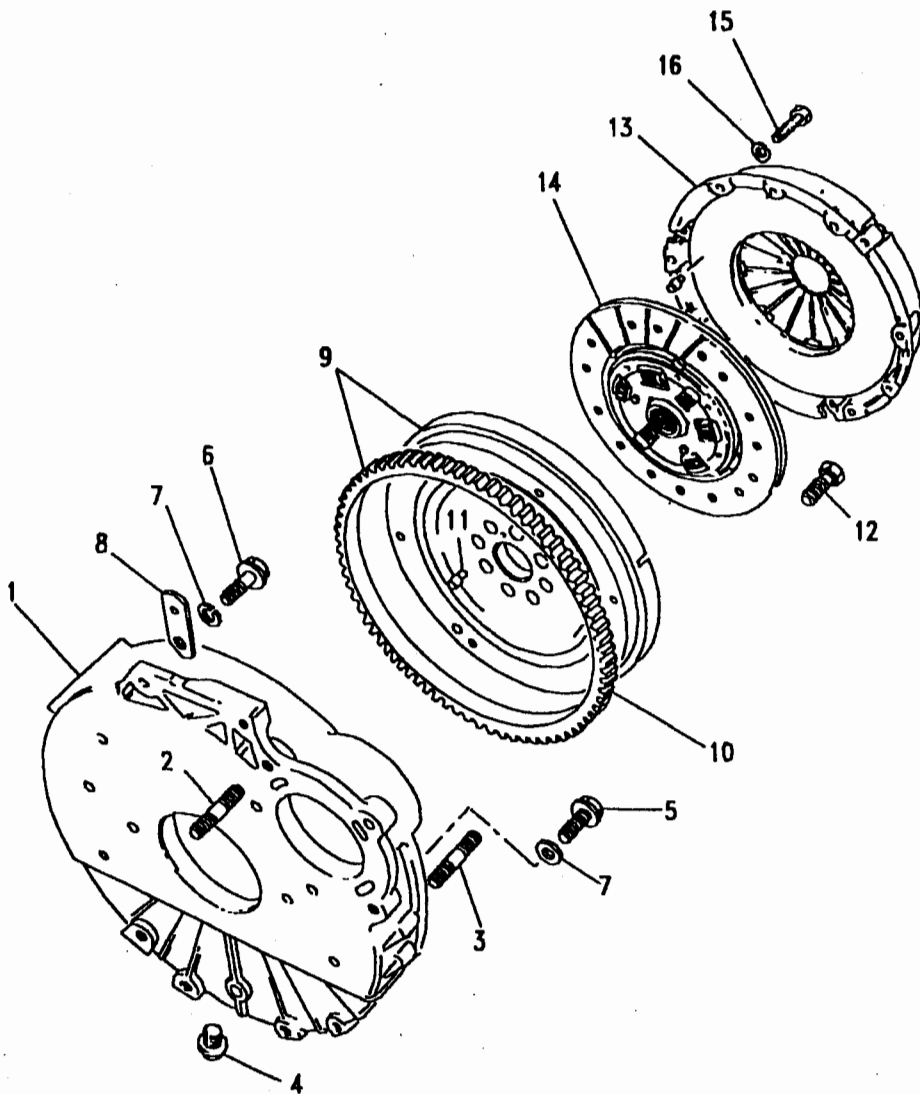
III. Part No.	Description	Qty	Remarks
1 ERR5021	Motor starter engine	1	
NAD101380	Motor starter engine	1)Waterproof
2 NA1100000	Gasket starter motor	1)vehicles
3 FN110047	Nut M10	1)Starter
4 FS110301L	Screw M10 x 30	2)to engine
5 NH108041L	Nut M8	1)Electrical
6 WL108001L	Washer spring	1)connection

Model DEFENDER XD ALL VARIANTS
Page YDBNRA1A

ENGINE - FLYWHEEL & CLUTCH - 300TDI

III. Part No.	Description	Qty	Remarks
1	ERR4723	1	
2	TE110061L	9	
3	TE110051	1	
4		1	Note(1)
5	FS110301L	6	
6	FB110071L	2	
7	WA110061L	2	
8	ERC9404	2	
9	ERR719	1	
10	568431	1	
11	502116	3	
12	ERR4574	8	
13	FTC5272	1	Note(2)
	URB100760	1	Note(3)
14	FTC1994	1	
15	SX108201L	6	
16	WL108001L	6	

Note(1) For wading plug see tool kit contents.
 Note(2) Up to engine 15L02424B & 25L05000B
 Note(3) From engine 15L02425B & 25L05001B





MASTER INDEX

	PAGES
INTRODUCTION PAGES	1 - 4
ALPHABETICAL INDEX	5 - 16
ENGINE	17 - 57
GEARBOX	58 - 74
TRANSFER BOX	75 - 90
AXLES AND SUSPENSION	91 - 129
STEERING	130 - 141
VEHICLE AND ENGINE CONTROLS	142 - 148
BRAKES	149 - 161
FUEL SYSTEM AND AIR CLEANER	162 - 179
EXHAUST SYSTEM	180 - 185
COOLING/HEATING	186 - 225
BODY ELECTRICAL	226 - 319
BODY AND CHASSIS	320 - 444
INTERIOR TRIM	445 - 459
SEATS	460 - 473
STOWAGE	474 - 482
ACCESSORIES - PAINTS	483 - 495
NUMERICAL INDEX	497 - 530

GROUP C

GEARBOX

GEARBOX

GEARBOX ASSEMBLY - 5 SPEED - MANUAL	59
CLUTCH RELEASE MECHANISM	60
GEARCASE	61 - 64
BELL HOUSING	65
EXTENSION CASE	66
MAINSHAFT	67
MAINSHAFT GEARS	68 - 71
LAYSHAFT	72
SELECTORS AND SHAFTS	73
GEAR LEVER	74



Model DEFENDER XD ALL VARIANTS

Page YDCFAA1A

GEARBOX - GEARBOX ASSEMBLY - 5 SPEED - MANUAL

III. Part No.	Description	Qty	Remarks
---------------	-------------	-----	---------

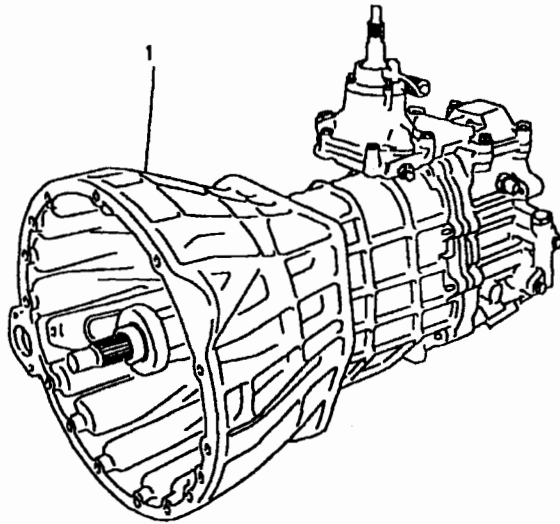
Gearbox assembly

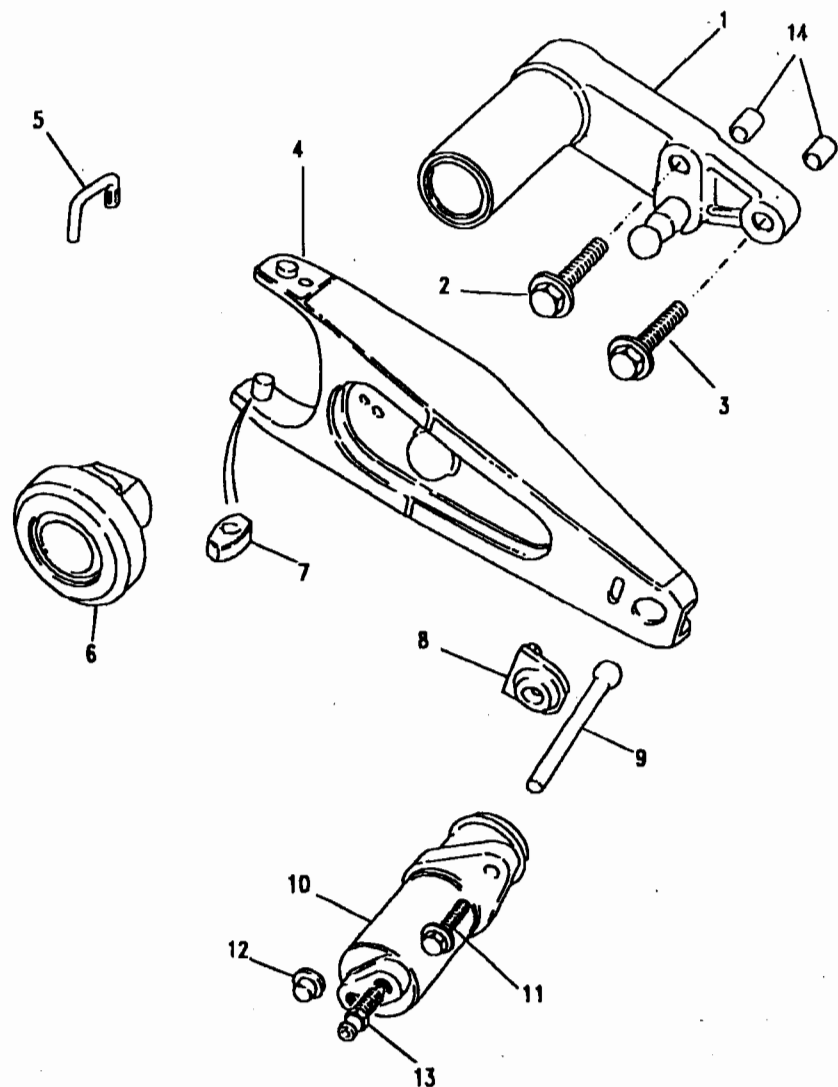
1	STC1545N	1	Note(1)
	TRC103000	1	Note(2)
	TRC103180	1	Note(3)

Sealant - waterproof vehicles

STC4404	Sealant Hylomar 607	A/R	300ml
---------	---------------------	-----	-------

Note(1) Prefix - 58A, suffix - J
 Note(2) Prefix - 58A, suffix - K
 Note(3) Prefix - 58A, suffix - L





Model DEFENDER XD ALL VARIANTS
Page YDCFCA2A

GEARBOX - CLUTCH RELEASE MECHANISM

Ill. Part No.	Description	Qty	Remarks
Pre-loaded self centring release mechanism			
1	FTC5218 Guide release bearing	1	
2	FB108091L Bolt flange M8 x 45	1	
3	FB108081L Bolt flange M8 x 40	1	
4	FTC2957 UTD100000 Lever clutch release	1	Note(1)
		1	Note(2)
5	FRC3416 Staple	1	
6	FTC5200 UTJ100210 Bearing clutch release	1	Note(1)
		1	Note(2)
7	FRC5255 Slipper pad clutch	2	
8	FRC3327 Clip	1	
9	FTC5199 UUF100060 Rod slave cylinder	1	Note(1)
		1	Note(2)
10	FTC5202 STC2818 Slave cylinder clutch	1	
		1	
11	FS108257L Screw flange M8 x 25	2	
12	594091 Dust cap	1	
13	606733 Screw bleed	1	
14	FRC2481 Dowel guide	2	

Note(1) Gearbox suffix - J
 Note(2) Gearbox suffix - K & L

Model DEFENDER XD ALL VARIANTS

Page YDCFEA1A

GEARBOX - GEARCASE

III. Part No.

Description

Qty Remarks

Gearcase assembly

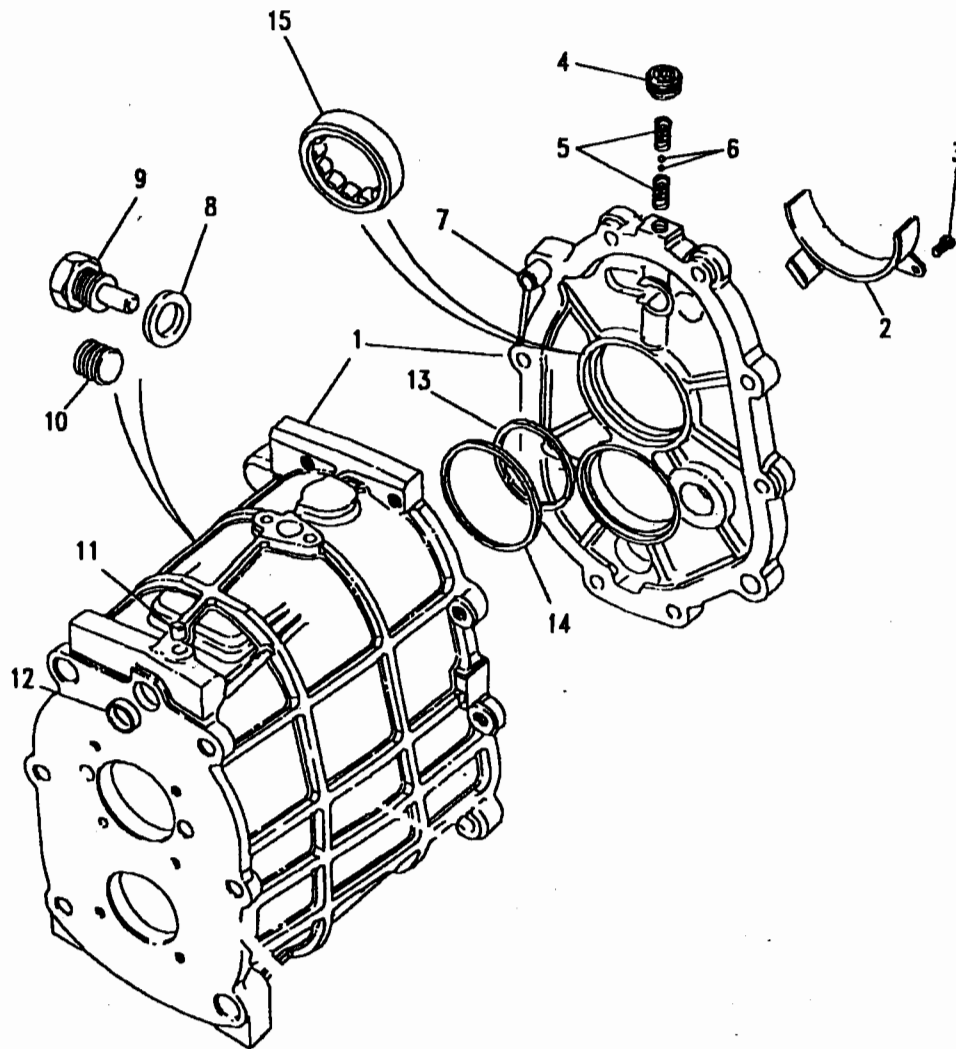
1	FTC3848	Gearcase	1	Suffix J
	TRE100460	Gearcase	1	Suffix K & L
2	FTC4131	Baffle plate	1	
3	FS106161ML	Screw flange M6 x 16	2	
4	FTC4108	Plug screw	1	
5	FTC3382	Spring detent	2	
6	FTC4596	Ball detent	2	
7	UKC170L	Dowel	2	
8	FTC4112	Washer copper	1	
9	FRC6145	Plug magnetic	1	
10	FTC4056	Plug drain	1	
11	LYQ100090	Core plug	1	
12	FTC5119	Core plug	1	

Sealant

STC4404

Sealant Hylomar 607

A/R 300ml



Model DEFENDER XD ALL VARIANTS

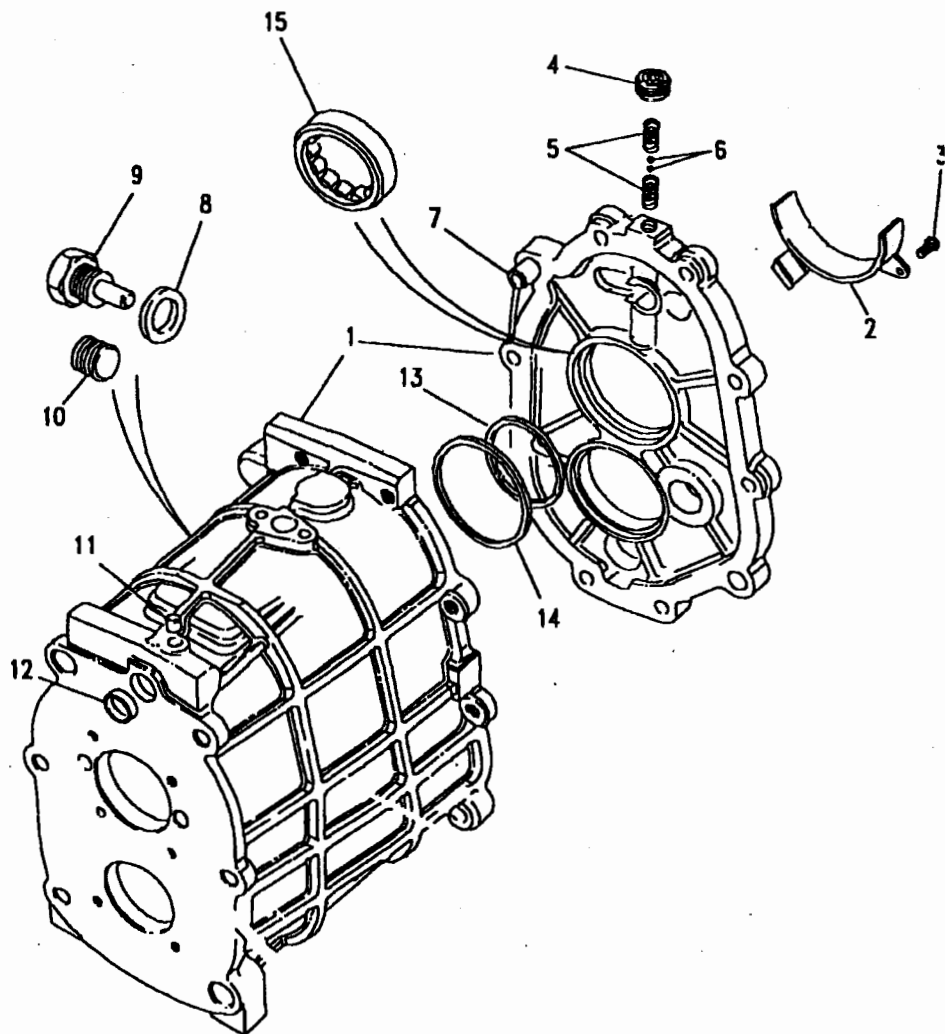
Page YDCFEA1A

GEARBOX - GEARCASE

III. Part No. Description Qty Remarks

Selective spacer - mainshaft in centre plate

Part No.	Description	Qty	Remarks
13	FTC3739 Spacer 1.740/1.715	A/R	
	FTC3741 Spacer 1.790/1.765	A/R	
	FTC3743 Spacer 1.840/1.815	A/R	
	FTC3745 Spacer 1.890/1.865	A/R	
	FTC3747 Spacer 1.940/1.915	A/R	
	FTC3749 Spacer 1.990/1.965	A/R	
	FTC3751 Spacer 2.040/2.015	A/R	
	FTC3753 Spacer 2.090/2.065	A/R	
	FTC3755 Spacer 2.140/2.115	A/R	
	FTC3757 Spacer 2.190/2.165	A/R	
	FTC3759 Spacer 2.240/2.215	A/R	
	FTC3761 Spacer 2.290/2.265	A/R	
	FTC3763 Spacer 2.340/2.315	A/R	
	FTC3765 Spacer 2.390/2.365	A/R	
	FTC3767 Spacer 2.440/2.415	A/R	
	FTC3769 Spacer 2.490/2.465	A/R	
	FTC3771 Spacer 2.540/2.515	A/R	
	FTC3773 Spacer 2.590/2.565	A/R	
	FTC3775 Spacer 2.640/2.615	A/R	
	FTC3777 Spacer 2.690/2.665	A/R	
	FTC3779 Spacer 2.740/2.715	A/R	
	FTC3781 Spacer 2.790/2.765	A/R	
	FTC3783 Spacer 2.840/2.815	A/R	
	FTC3785 Spacer 2.890/2.865	A/R	
	FTC3787 Spacer 2.940/2.915	A/R	



Model DEFENDER XD ALL VARIANTS

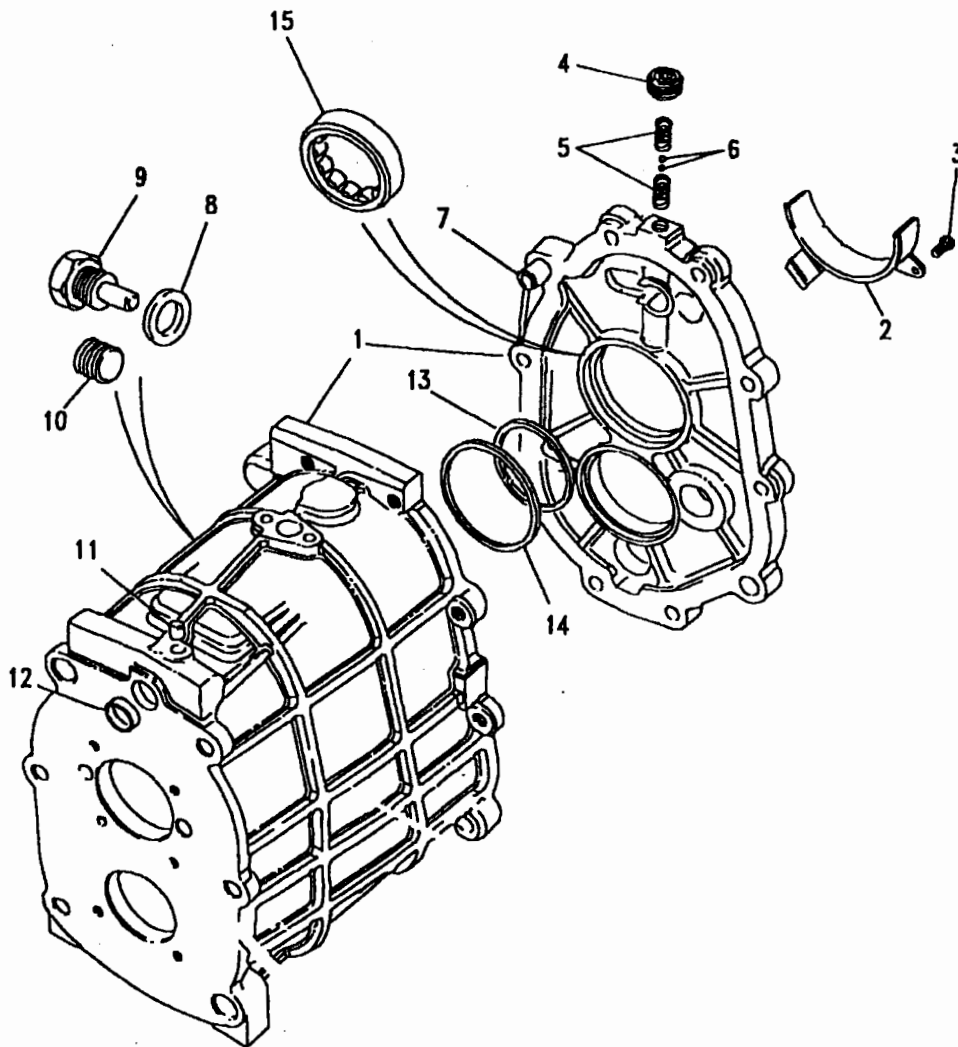
Page YDCFEA1A

GEARBOX - GEARCASE

III. Part No. Description Qty Remarks

Selective spacer - layshaft in centre plate - gearbox suffix J

14	FTC4296	Spacer 1.477/1.452	A/R
	FTC4298	Spacer 1.527/1.502	A/R
	FTC4300	Spacer 1.577/1.552	A/R
	FTC4302	Spacer 1.627/1.602	A/R
	FTC4304	Spacer 1.677/1.652	A/R
	FTC4306	Spacer 1.727/1.702	A/R
	FTC4308	Spacer 1.777/1.752	A/R
	FTC4310	Spacer 1.827/1.802	A/R
	FTC4312	Spacer 1.877/1.852	A/R
	FTC4314	Spacer 1.927/1.902	A/R
	FTC4316	Spacer 1.977/1.952	A/R
	FTC4318	Spacer 2.027/2.002	A/R
	FTC4320	Spacer 2.077/2.052	A/R
	FTC4322	Spacer 2.127/2.102	A/R
	FTC4324	Spacer 2.177/2.152	A/R
	FTC4326	Spacer 2.227/2.202	A/R



Model DEFENDER XD ALL VARIANTS
 Page YDCFEA1A

GEARBOX - GEARCASE

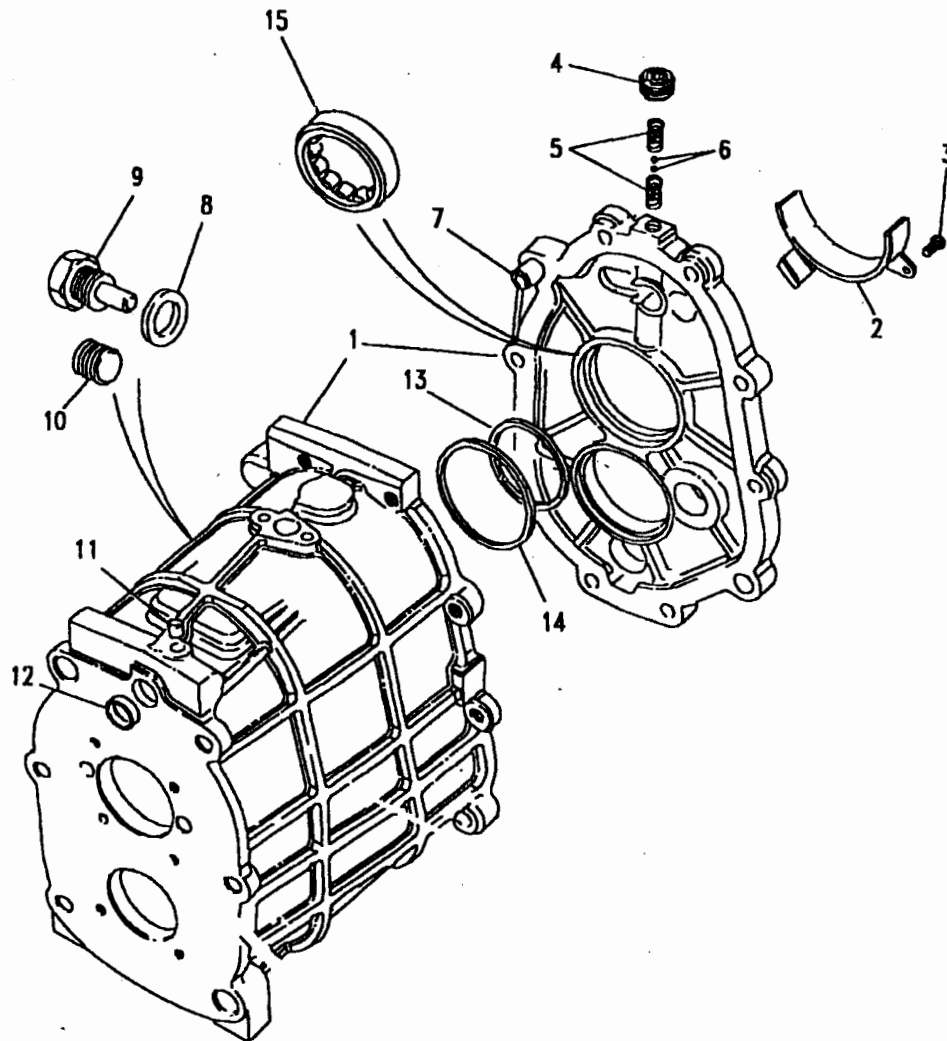
III. Part No. Description Qty Remarks

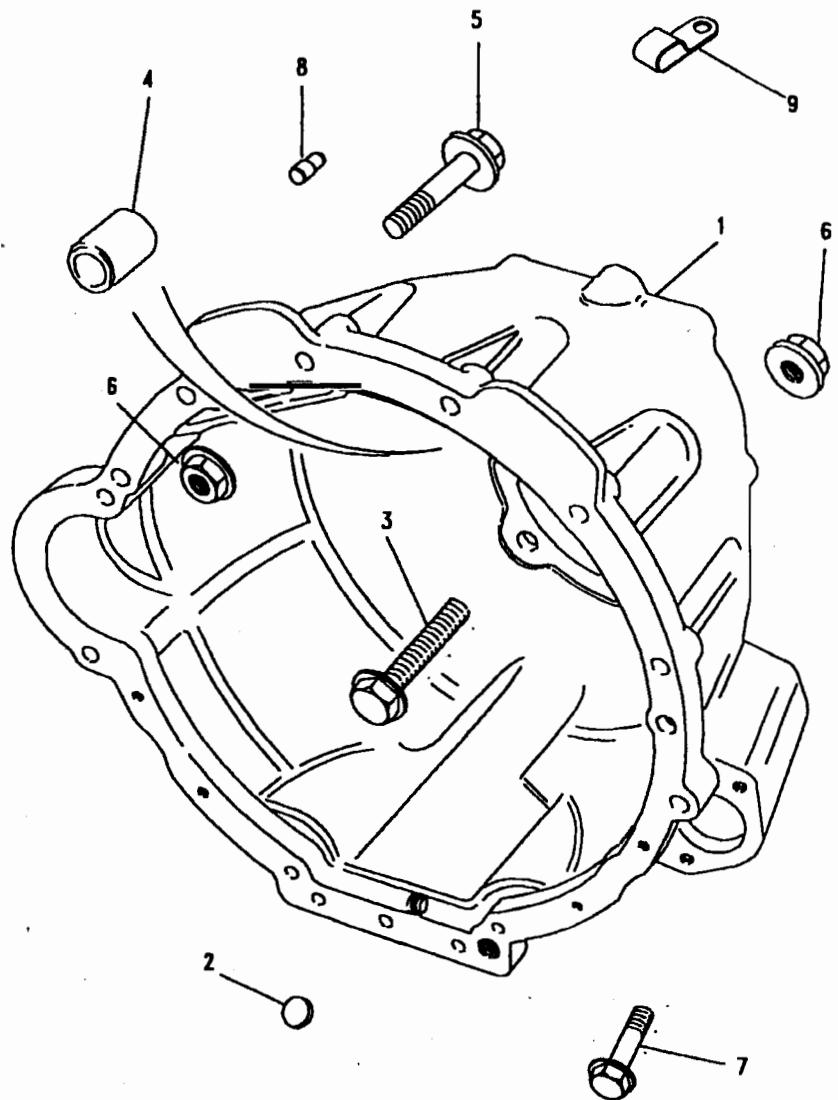
Selective spacer - layshaft in centre plate - gearbox suffix K & L

14	TUZ100020	Spacer 1.477/1.452	A/R
	TUZ100040	Spacer 1.527/1.502	A/R
	TUZ100060	Spacer 1.577/1.552	A/R
	TUZ100080	Spacer 1.627/1.602	A/R
	TUZ100100	Spacer 1.677/1.652	A/R
	TUZ100120	Spacer 1.727/1.702	A/R
	TUZ100140	Spacer 1.777/1.752	A/R
	TUZ100160	Spacer 1.827/1.802	A/R
	TUZ100180	Spacer 1.877/1.852	A/R
	TUZ100200	Spacer 1.927/1.902	A/R
	TUZ100220	Spacer 1.977/1.952	A/R
	TUZ100240	Spacer 2.027/2.002	A/R
	TUZ100270	Spacer 2.077/2.052	A/R
	TUZ100290	Spacer 2.127/2.102	A/R
	TUZ100310	Spacer 2.177/2.152	A/R
	TUZ100330	Spacer 2.227/2.202	A/R

Mainshaft support bearing

15	STC1628	Bearing taper roller	1
----	---------	----------------------	---



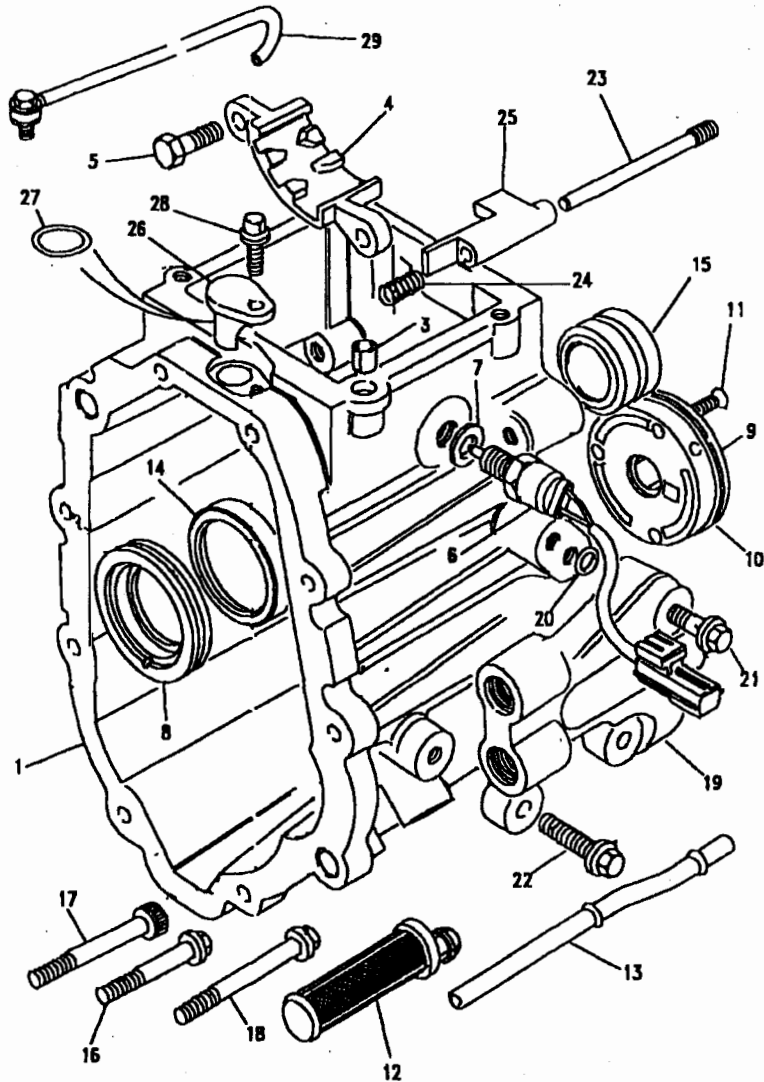


Model DEFENDER XD ALL VARIANTS
Page YDCFEA2A

GEARBOX - BELL HOUSING

III. Part No.	Description	Qty	Remarks
1 FTC3921	Housing clutch	1	
2 FRC6110	Cup plug	1	
3 FS112401L	Screw flange M12 x 40	6	
4 UKC25L	Dowel ring	1	
5 FB110071L	Bolt flange M10 x 35	4	
6 FN110047L	Nut flange M10	9	
7 SH108141L	Screw M8 x 14	1	
8 571134	Pin dowel	2	
9 622324	Clip	1	

Sealant STC4404 Sealant Hylomar 607 A/R 300ml



Model DEFENDER XD ALL VARIANTS
Page YDCFGA1A

GEARBOX - EXTENSION CASE

III. Part No.	Description	Qty	Remarks
1	FTC4522	1	Extension case assembly
2	LYQ100050	1	Plug blanking
3	FRC2626	2	Pin spring
4	FTC2392	1	Gateplate gear selector
5	FS108257L	2	Screw flange M8 x 25
6	AMR3918	1	Switch reverse light
7	232042	1	Washer sealing
	ALU1403L	1	Washer sealing
8	FTC4991	1	Ring oil feed
9	FTC4206	1	Pump oil
10	BZV1051	1	O ring
11	FTC4449	3	Screw M5 x 30
12	FRC7855	1	Oil strainer
13	FTC3387	1	Pipe oil inlet
14	FTC2383	1	Oil seal gearbox
15	FTC4021	1	Collar oil seal
16	FRC4282	6	Bolt M8 x 55
17	FB108171L	2	Bolt flange M8 x 85
18	FB108141S	2	Bolt M8 x 70
	TYG100650	2	Bolt M8 x 70
19	FTC2687	1	Housing thermostat
20	FTC1441	2	O ring
21	FB108081L	2	Bolt flange M8 x 40
22	FS108307L	2	Screw flange M8 x 30
23	FTC3711	1	Shaft inhibition
24	FTC4483	1	Spring torsion
25	FTC3713	1	Cam inhibition
26	FTC3587	1	Interlock
27	FTC3975	1	O ring
28	FS106161ML	1	Screw flanged
29	FRC9430	1	Breather

Note(1)
 Note(2)

Suffix J - up to gearbox 0538079
 Suffix J, K & L - from gearbox 0538080

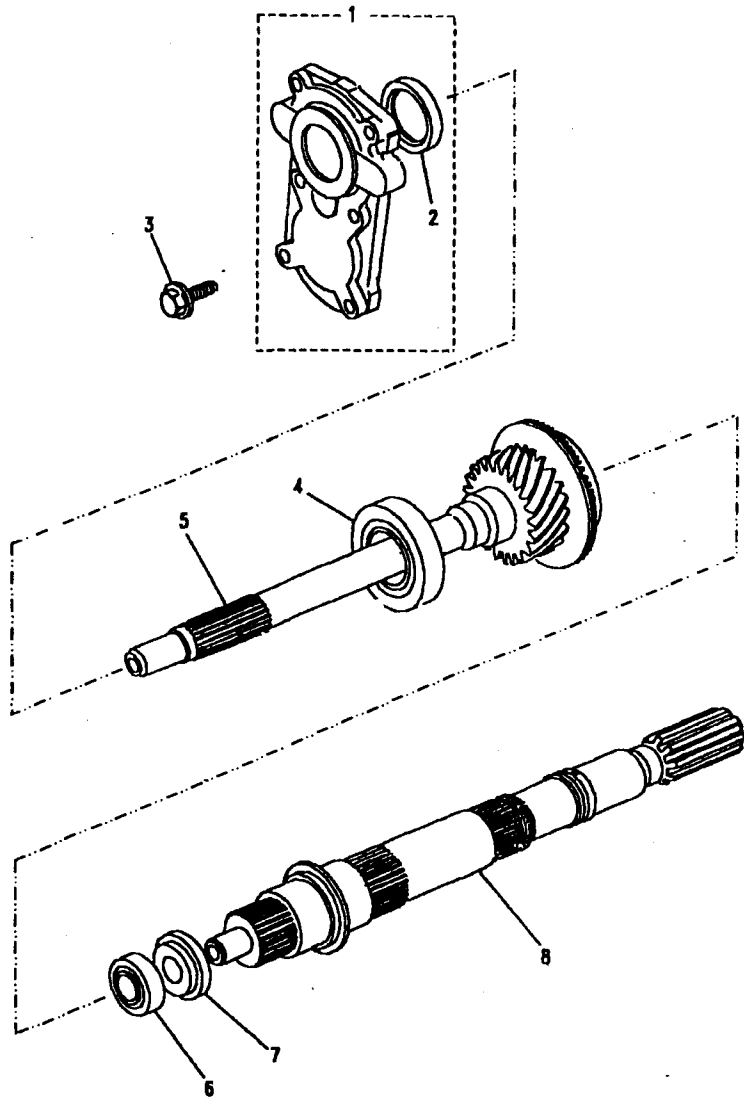
Model DEFENDER XD ALL VARIANTS

Page YDCFIA1A

GEARBOX - MAINSHAFT

Ill. Part No.	Description	Qty	Remarks
1	FTC3696	1	Note(1)
	FTC5371	1	Note(2)
	TVQ100130	1	Suffix K & L
2	UKC1060L	1	Note(1)
	FTC5303	1	Note(3)
3	FS108251ML	6	Suffix J
	FS108301S	6	Suffix K & L
4	RTC6751	1	Suffix J
	TZZ100200	1	Suffix K & L
5	FTC5046	1	Suffix J
	TUD101970	1	Suffix K
	TUD102580	1	Suffix L
6	UKC8L	1	
7	FTC2737	1	
8	FTC3703	1	Note(4)
	FTC5287	1	Note(5)
	TUD101720	1	Suffix K & L

Note(1) Suffix J - up to gearbox 0513062
 Note(2) Suffix J - from gearbox 0513063
 Note(3) Suffix J, K & L - from gearbox 0513063
 Note(4) Suffix J - up to gearbox 0506331
 Note(5) Suffix J - from gearbox 0506332



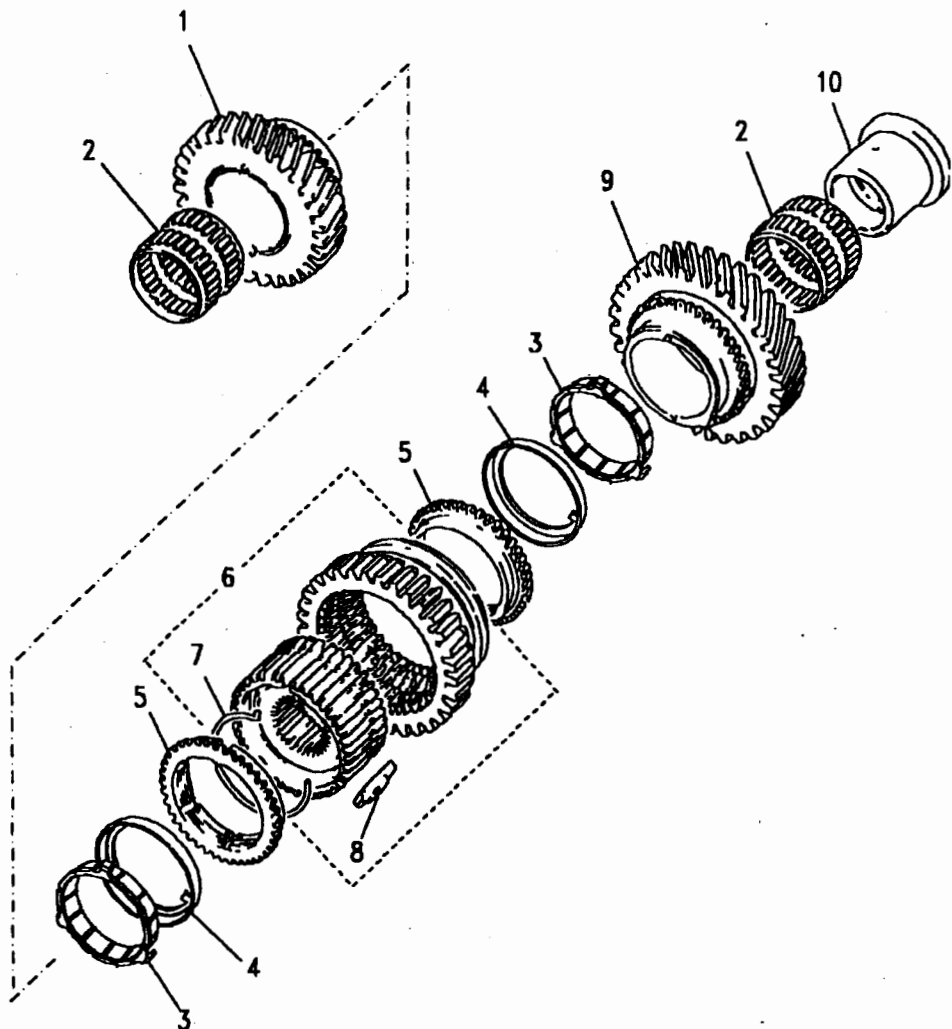
Model DEFENDER XD ALL VARIANTS
Page YDCFIC1A

GEARBOX - MAINSHAFT GEARS

III. Part No. Description Qty Remarks

1st and 2nd gears

Part No.	Description	Qty	Remarks
1	FTC5038	1	Suffix J & K
	TUB101620	1	Suffix L
2	FTC1311	2	Suffix J
	TUK100340	2	Suffix K & L
3	FTC5019	2	
4	FTC2396	2	
5	FTC3584	2	
6	FTC5100	1	
7	FTC4992	2	
8	FTC4171	3	
9	FTC5037	1	Suffix J
	TUB101800	1	Suffix K
	TUB101610	1	Suffix L
10	FTC2005	1	Suffix J
	TUJ100050	1	Suffix K & L

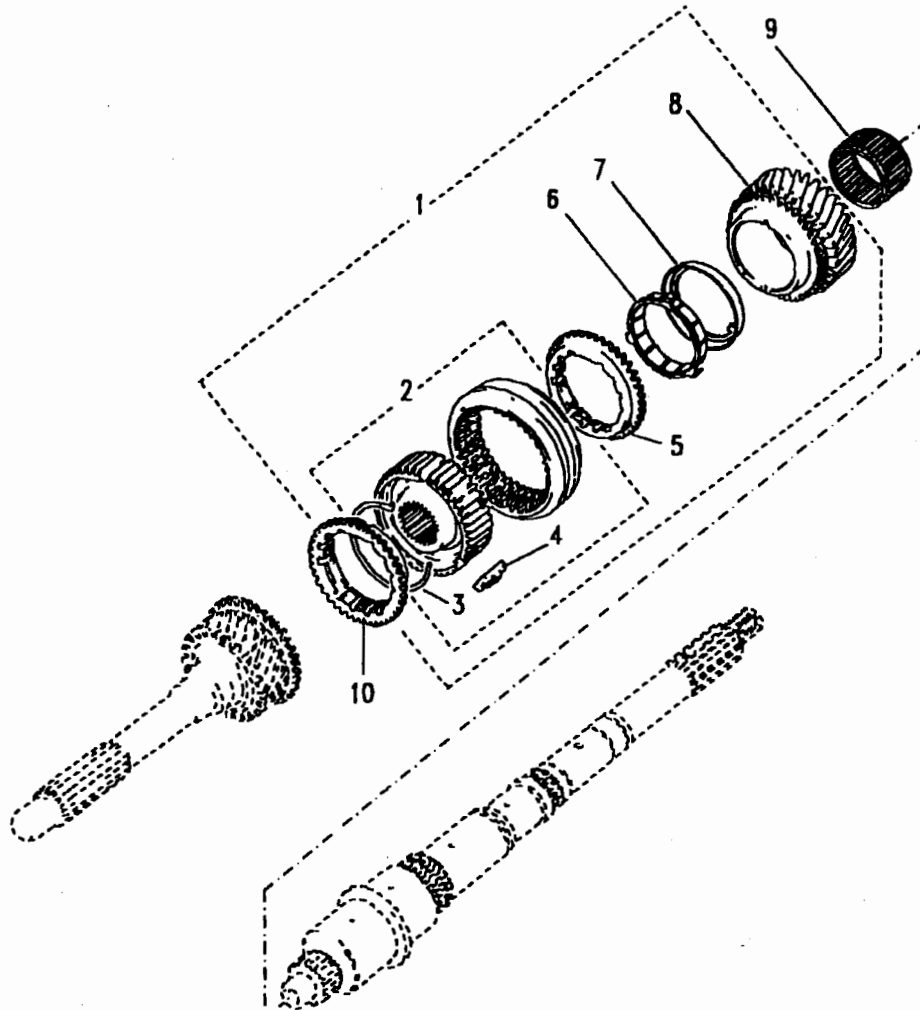


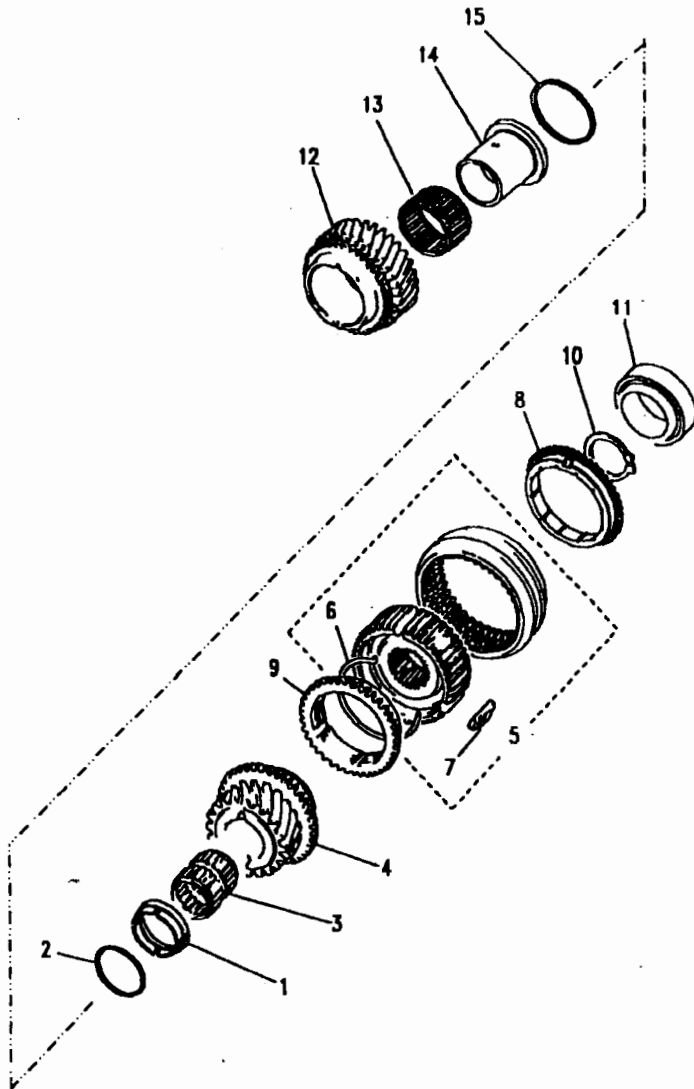
Model DEFENDER XD ALL VARIANTS

Page YDCFIC2A

GEARBOX - MAINSHAFT GEARS

III. Part No.	Description	Qty	Remarks
3rd and 4th gears			
1 STC3376	Kit 3rd & 4th gear	1	Suffix J & K
STC4348	Kit 3rd & 4th gear	1	Suffix L
2 FTC5101	Synchro assembly	1	
3 FTC4992	Spring synchro	2	
4 FTC4171	Plate shifting synchro	3	
5 FTC3584	Ring baulk gearbox	1	
6 FTC2396	Ring synchro middle	1	
7 FTC5019	Ring synchro inner	1	
8 FTC5041	Gear 3rd speed	1	Suffix J & K
TUB101630	Gear 3rd speed	1	Suffix L
9 FTC1311	Bearing	1	Suffix J
TUK100340	Bearing	1	Suffix K & L
10 FTC5018	Ring baulk gearbox	1	





Model DEFENDER XD ALL VARIANTS
Page YDCFIC3A

GEARBOX - MAINSHAFT GEARS

III. Part No.	Description	Qty	Remarks
5th gear			
1	FTC4989	1	Washer thrust sgmnt pair
	FTC5288	1	Washer thrust sgmnt pair
2	FTC4990	1	Ring retaining
3	FRC5280	1	Bearing needle
4	FTC5043	1	Gear 5th speed
5	FTC5102	1	Synchro assembly
6	FTC4992	2	Spring synchro
7	FTC4171	3	Plate shifting synchro
8	FTC5018	1	Ring baulk gearbox
9	FTC3584	1	Ring baulk gearbox
10	FTC3697	1	Circlip
11	FTC3371	1	Bearing mainshaft
Reverse Gear			
12	FTC5070	1	Gear assembly reverse
13	FTC1311	1	Bearing
	TUK100340	1	Suffix J & L
14	FTC2005	1	Bush
	TUJ100050	1	Suffix J & L

Note(1) Suffix J - up to gearbox 0506331
 Note(2) Suffix J, K & L - from gearbox 0506332

Model DEFENDER XD ALL VARIANTS

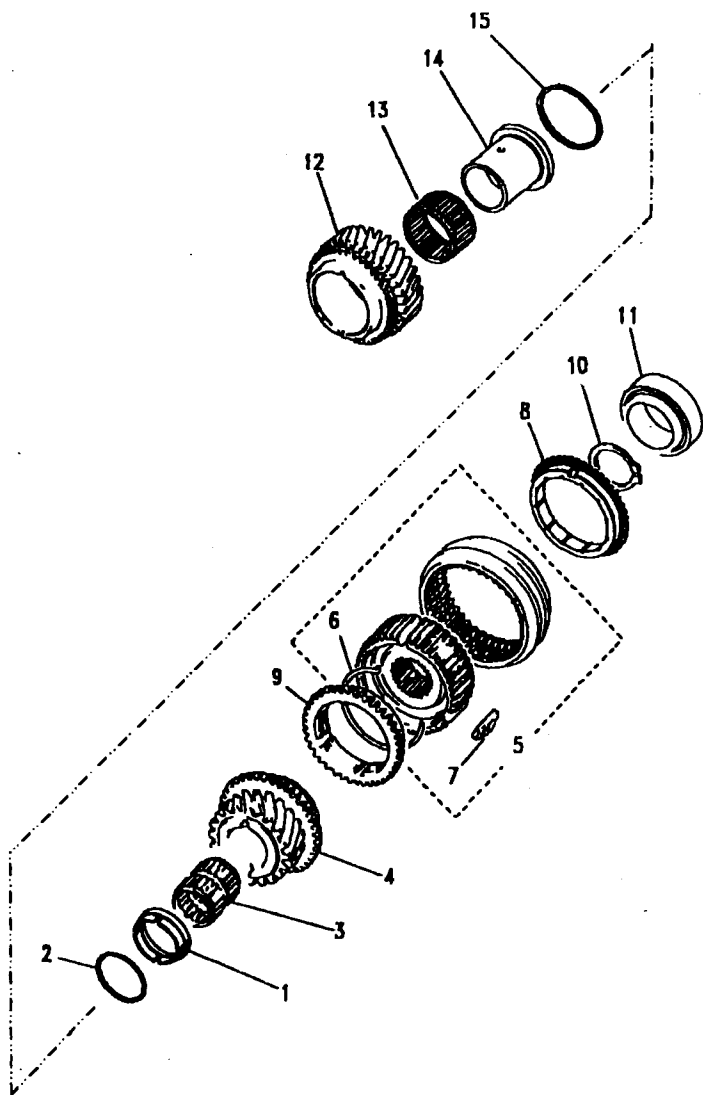
Page YDCFIC3A

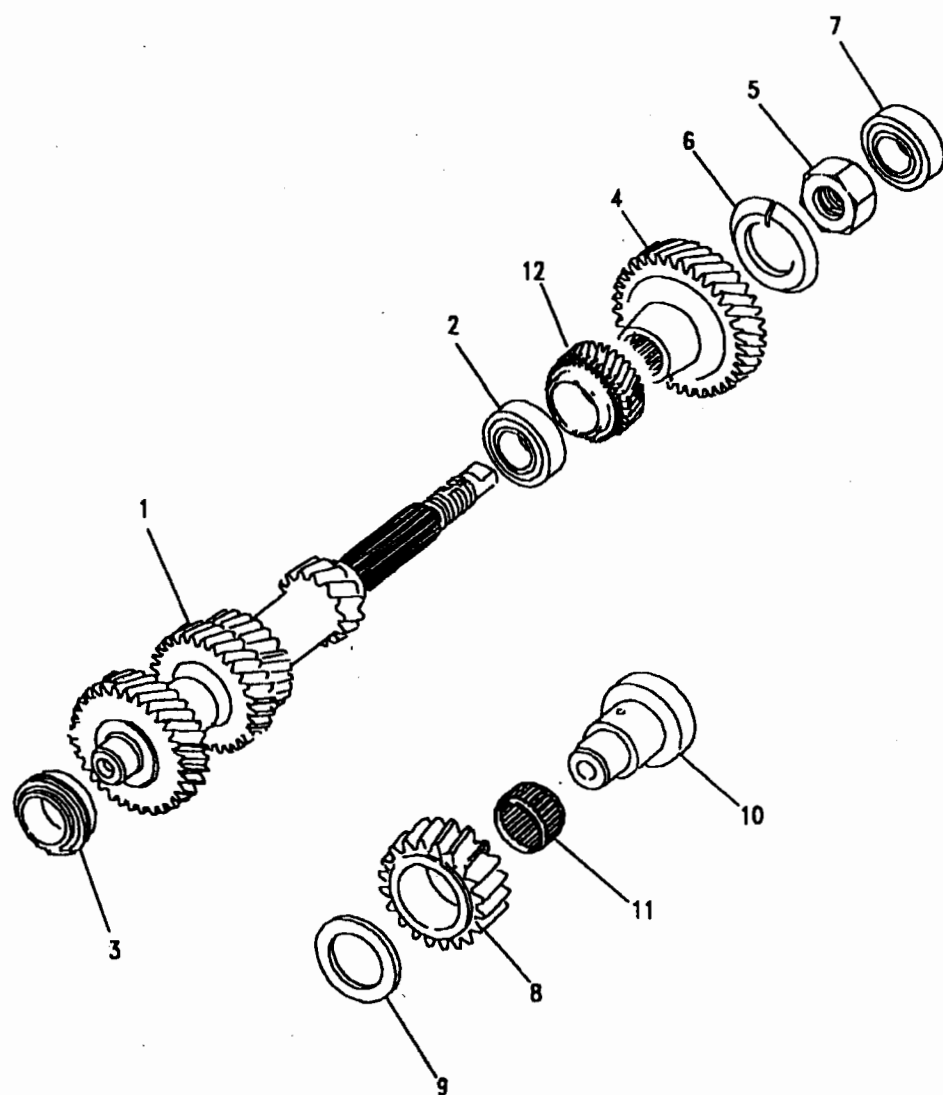
GEARBOX - MAINSHAFT GEARS

III. Part No. Description Qty Remarks

Selective spacer - reverse bush

Part No.	Description	Qty	Remarks
15 FTC3951	Spacer 2.475/2.450	A/R	
FTC3953	Spacer 2.425/2.400	A/R	
FTC3955	Spacer 2.375/2.350	A/R	
FTC3957	Spacer 2.325/2.300	A/R	
FTC3959	Spacer 2.275/2.250	A/R	
FTC3961	Spacer 2.225/2.200	A/R	
FTC3963	Spacer 2.175/2.150	A/R	
FTC3965	Spacer 2.125/2.100	A/R	
FTC3967	Spacer 2.075/2.050	A/R	
FTC3969	Spacer 2.025/2.000	A/R	



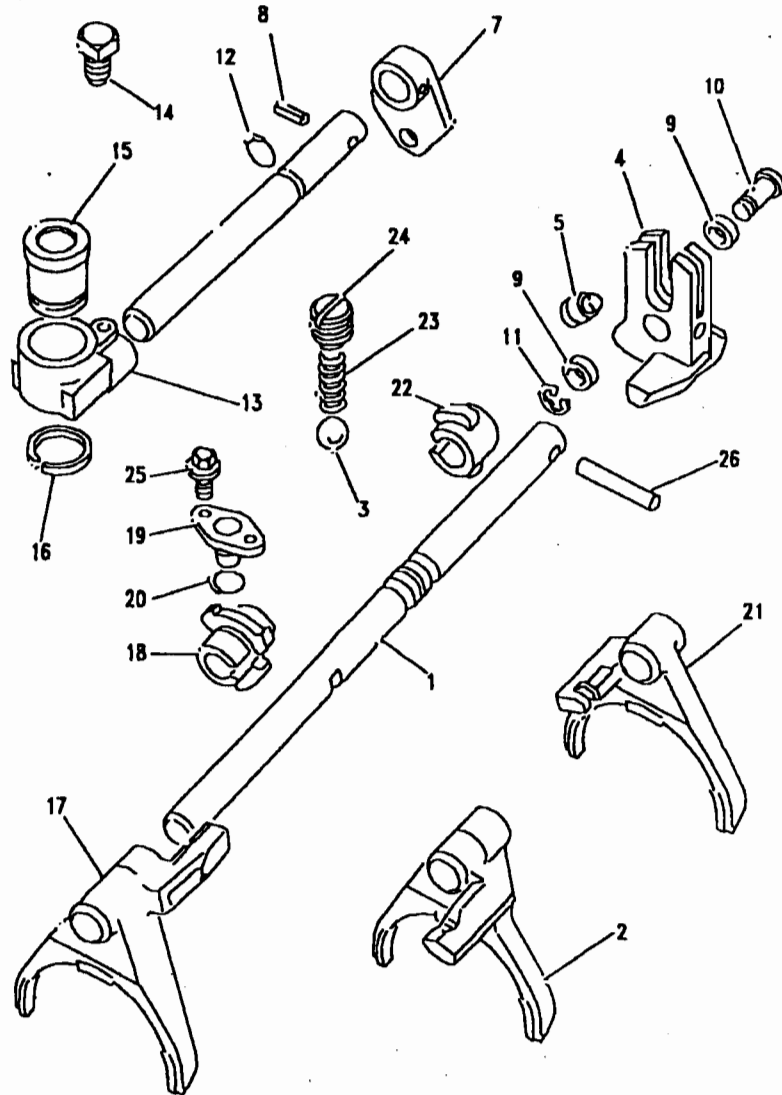


Model DEFENDER XD ALL VARIANTS
Page YDCFIE1A

GEARBOX - LAYSHAFT

III. Part No.	Description	Qty	Remarks
1	FTC4982 Tuo100240 Tuo100100	1	Suffix J Suffix K Suffix L
2	FTC317	1	Bearing layshaft rear
3	FTC248	1	Bearing layshaft front
4	FTC4978	1	Gear 5th speed
5	EJP7738L	1	Nut
6	FAM9270	1	Collar split
7	FTC2385	1	Bearing layshaft rear
8	FTC2725 TUB102000	1	Gear idler Suffix J & K Suffix L
9	FTC3847 TUZ100000	1	Spacer reverse idler Suffix J Suffix K & L
10	FTC3850	1	Shaft reverse gear
11	FTC2582	1	Bearing needle
12	FTC3391 TUB101500 TUB101990	1	Gear reverse Suffix J Suffix K Suffix L

Note(1) The groove is a manufacturing aid and is not used for service.



Model DEFENDER XD ALL VARIANTS
Page YDCFKA1A

GEARBOX - SELECTORS AND SHAFTS

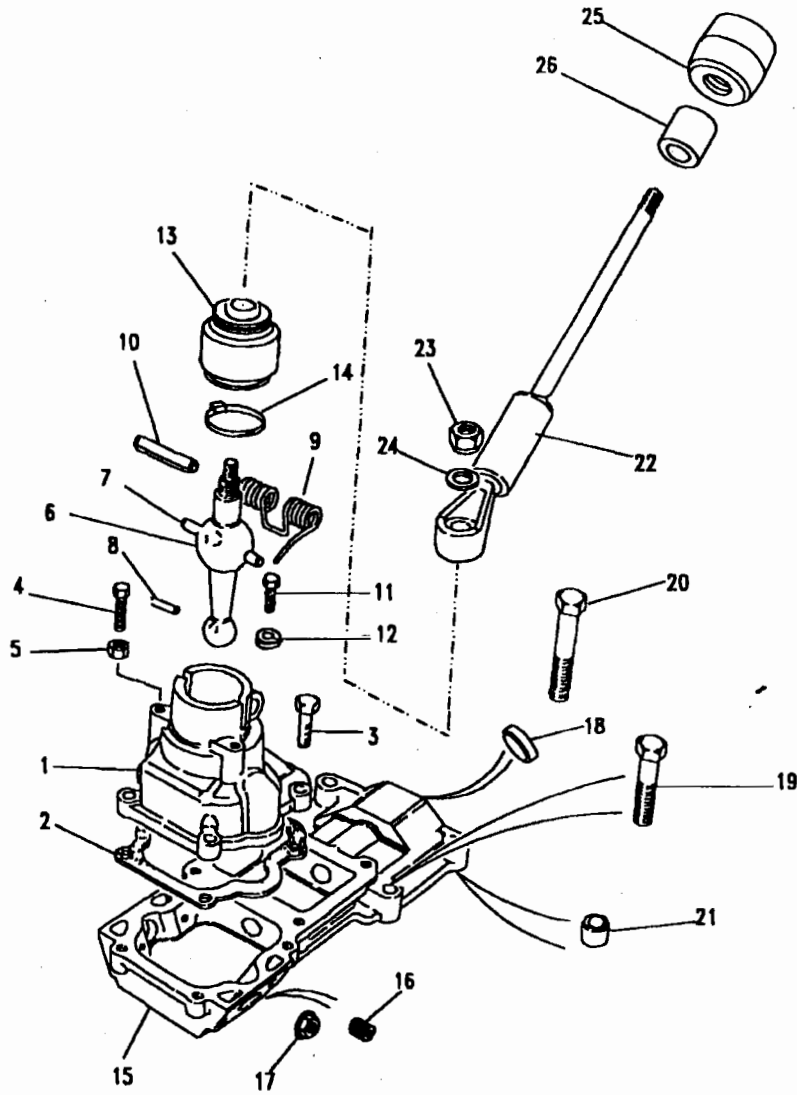
III. Part No.	Description	Qty	Remarks
1	FTC4588	1	Selector shaft
2	FTC3581	1	Fork selector 1st 2nd
3	FTC4596	2	Ball detent
4	FTC5120	1	Quadrant
5	FTC4617	1	Pin yoke selector
6	FRC7334	1	Select shaft
7	FRC7333	1	Quadrant
8	FRC7335	1	Spring pin
9	FRC4435	1	Roller
10	FRC4434	1	Shaft
11	CR120105L	1	Circlip
12	FRC4951	1	O ring
13	FRC5864	1	Yoke
14	FTC4536	1	Grub screw
15	FRC5859	1	Yoke
16	CR120335L	1	Circlip
17	FTC3582	1	Fork selector 3rd 4th
18	FTC3370	1	Interlock
19	FRC8239	1	Retainer
20	FTC3975	1	O ring
21	FTC3583	1	Fork selector 5th/rev
22	FTC2885	1	Interlock
23	FTC3382	2	Spring detent
24	FTC4108	1	Plug screw
25	SH106161M	2	Screw
26	FRC8127	2	Pin locking

Model DEFENDER XD ALL VARIANTS
Page YDCFKC1A

GEARBOX - GEAR LEVER

III. Part No.	Description	Qty	Remarks
1	FRC7155	1	Housing gear lever
2	FTC4510	1	Washer joint
3	FS108257L	4	Screw flange M8 x 25
4	NS106201	2	Screw M6 x 20
5	NH106041L	2	Nut M6
6	FRC8724	1	Gear lever lower
7	UKC3092	2	Pin steel 6mm x 27mm
8	22G1988L	1	Plunger plastic
	22G1989L	1	Spring
9	FRC7414	1	Torsion spring
10	PA120801L	1	Spring pin
11	FS106167L	1	Screw
12	FRC7886	1	Washer retaining
13	FRC7160	1	Grommet
14	AFU4173	1	Cable tie
15	FTC3915	1	Housing assembly
16	GS110501	1	Grubscrew M10
17	FN110047L	1	Nut M10
18	597586	1	Cup plug
19	FS108351L	3	Screw flange M8 x 35
20	FB108111L	1	Bolt flange M8 x 55
21	FRC2626	2	Pin spring
22	FRC7860	1	Gear lever upper
23	NY110047	1	Nut nyloc M10
24	WC110067L	1	Washer plain M10
25	BTR9270	1	Knob gearchange
26	576643	1	Sleeve knob

Note(1) Must be fitted to waterproof vehicles.



Note(1)



MASTER INDEX

GROUP D

TRANSFER BOX

INTRODUCTION PAGES	PAGES
ALPHABETICAL INDEX	1 - 4
ENGINE	5 - 16
GEARBOX	17 - 57
TRANSFER BOX	58 - 74
AXLES AND SUSPENSION	75 - 90
STEERING	91 - 129
VEHICLE AND ENGINE CONTROLS	130 - 141
BRAKES	142 - 148
FUEL SYSTEM AND AIR CLEANER	149 - 161
EXHAUST SYSTEM	162 - 179
COOLING/HEATING	180 - 185
BODY ELECTRICAL	186 - 225
BODY AND CHASSIS	226 - 319
INTERIOR TRIM	320 - 444
SEATS	445 - 459
STOWAGE	460 - 473
ACCESSORIES - PAINTS	474 - 482
NUMERICAL INDEX	483 - 495
	497 - 530

TRANSFER BOX	
TRANSFER ASSEMBLY	76
HOUSING	77
CASING	78 - 79
DIFFERENTIAL	80
MAINSHAFT	81
INTERMEDIATE SHAFT	82
OUTPUT FLANGE - FRONT	83
OUTPUT FLANGE - REAR	84
OUTPUT SHAFT - FRONT	85 - 86
HIGH/LOW GEARS	87
GEAR CHANGE	88
OPERATING ROD ASSEMBLY	89
TRANSMISSION BRAKE	90



Model DEFENDER XD ALL VARIANTS
Page YDDBA1A

TRANSFER GEARBOX - TRANSFER ASSEMBLY

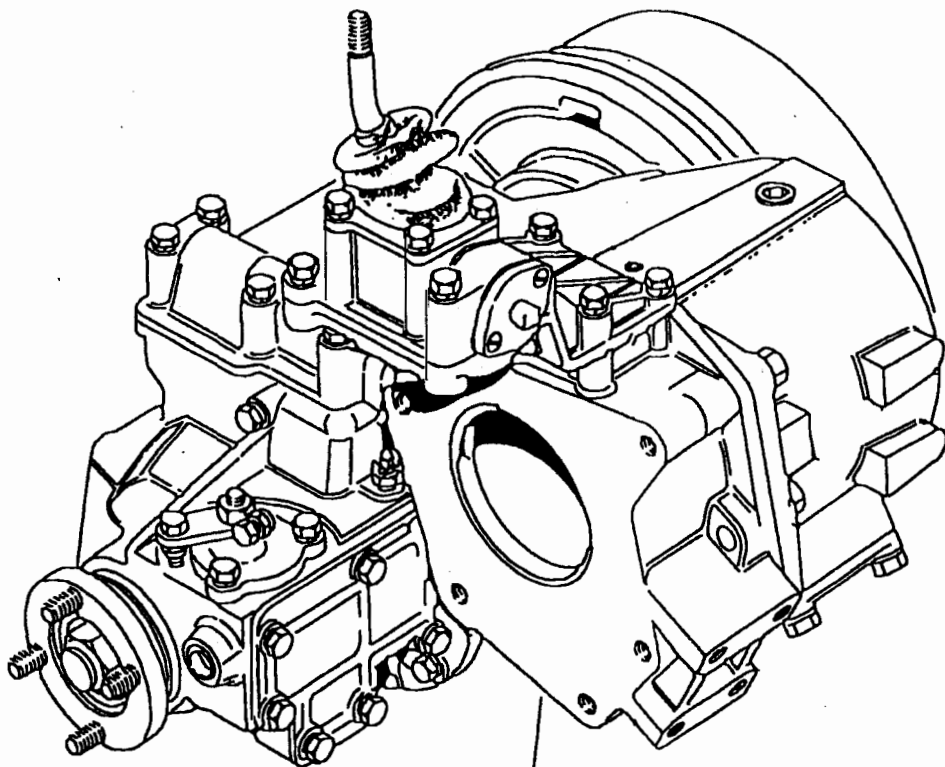
III. Part No.	Description	Qty	Remarks
Transfer gearbox assembly - prefix 22D - suffix F			
1 FRC9470N	Transfer box assy 1.41:1	1	Note(1)
	Transfer box stripped	1	NSP use STC3609
Transfer gearbox assembly - prefix 22D - suffix G			
FTC5436	Transfer box assy 1.41:1	1	Note(1)
STC3609	Transfer box stripped	1	Note(2)
Transfer gearbox assembly - prefix 43D - suffix G			
IAB100080	Transfer box assy 1.41:1	1	Note(1)
IAB100030	Transfer box stripped	1	Note(2)
Transfer gearbox assembly - prefix 43D - suffix G - waterproof			
IAB100100	Transfer box assy 1.41:1	1	Note(1)
IAB100030	Transfer box stripped	1	Note(2)

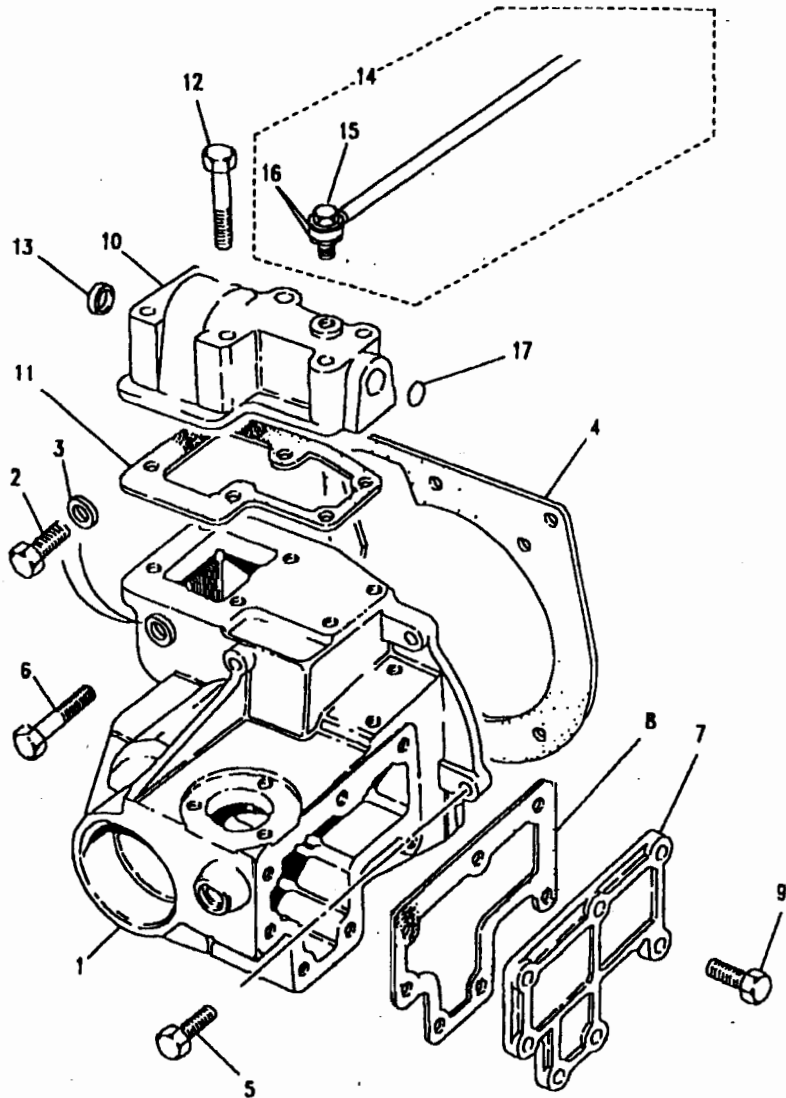
Note(1)

Supplied less speedo pinion.

Note(2)

Supplied less transfer brake assy, gear change linkage, speedo pinion and diff lock switch.





Model DEFENDER XD ALL VARIANTS
Page YDDBCA1A

TRANSFER GEARBOX - HOUSING

Ill. Part No.	Description	Qty	Remarks
1	FTC4178 ICB100070	1	Housing front output 1 Note(1)
2	SH214141	1	Housing front output 1 Note(2)
3	ALU1403L	1	Plug blanking 1 Note(2&3)
4		1	Washer aluminium 1)
5	FS108251ML	7	Liquid gasket only Bolt flanged patch M8x25
6	FB108181ML	1	Bolt flanged patch M8x90
7	FRC6104	1	Cover front
8		1	Liquid gasket only
9	FS108251ML	7	Bolt flanged patch M8x25
10	FRC6106 FTC5420	1	Housing cross shaft 1 Note(1)
11		1	Housing cross shaft 1 Note(2)
11		1	Liquid gasket only
12	FB108111L	6	Bolt flanged M8x55
13	FRC7930	1	Plug cup 1 Note(4&6)
	FTC5427	1	Plug cup 1 Note(5&6)
	FTC5422	1	Plug cup 1 Note(2&6)
14	FRC9427	1	Pipe breather
15	595478	1	Bolt banjo
16	232039	2	Washer copper
17	FRC5575	1	O ring 1 Note(7)

Sealant STC4404 Sealant Hylomar 607 A/R 300ml

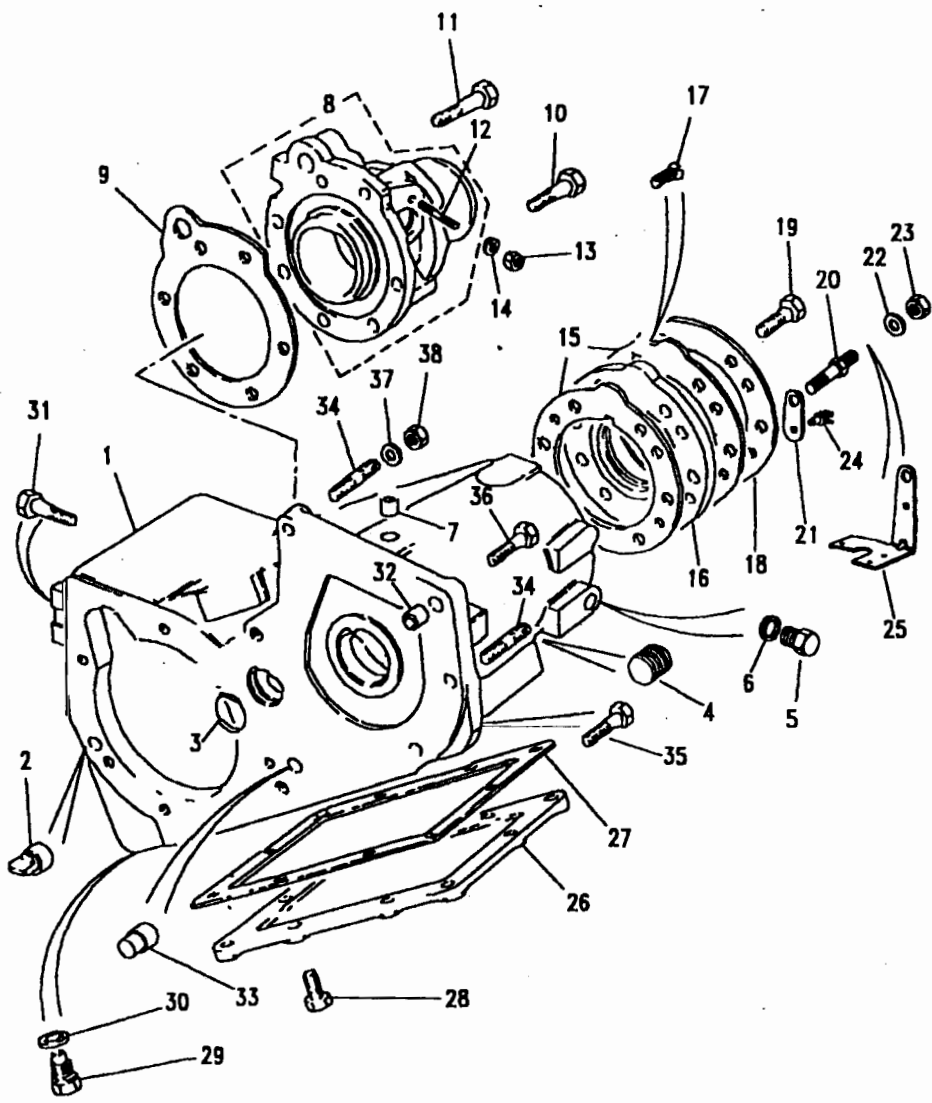
- Note(1) Prefix 22D, suffix F & G
- Note(2) Prefix 43D, suffix G
- Note(3) For redundant switch boss.
- Note(4) Prefix 22D, suffix F & G - up to transfer box 580318
- Note(5) Prefix 22D, suffix F & G - from transfer box 580319
- Note(6) For selector shaft end plug see page 85 - 86
- Note(7) Also shown on page 87

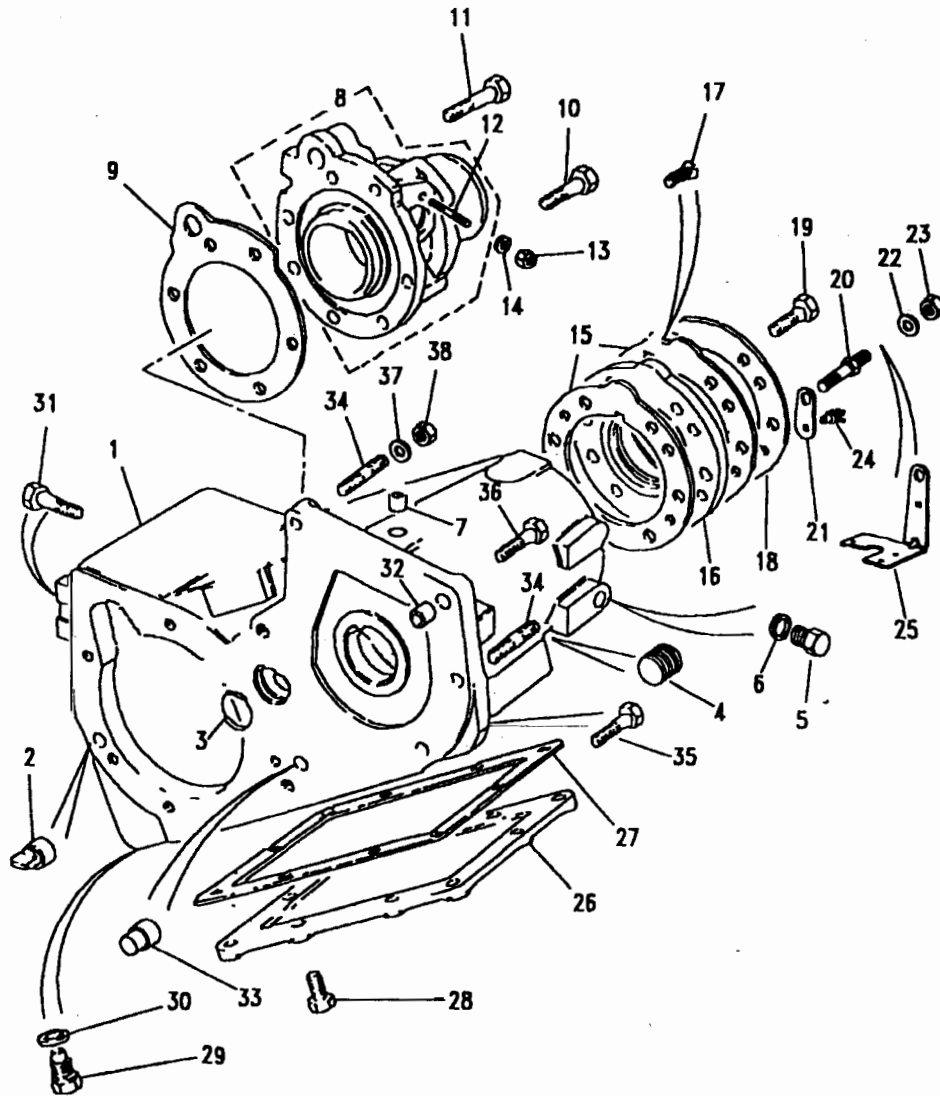
Model DEFENDER XD ALL VARIANTS
Page YDDBEA1A

TRANSFER GEARBOX - CASING

III. Part No.	Description	Qty	Remarks
Transfer box housing assembly			
1	FTC1748	1	Suffix F
	FTC4849	1	Suffix G - note(1)
	ICG100040	1	Suffix G - note(2)
2	FRC5594	1	
3	FRC8292	1	Note(3)
4	FRC3412	1	
5	SH214141	1	
6	232042	1	
7	UKC24L	1	
8	FTC4185	1	
9			Liquid gasket only
10	FS110301ML	5	Note(4)
	FS110301ML	2)Note(5)
	IYR100010	3)
11	FB110091ML	1	
12	571536	1	
13	NY106041	1	
14	WA106041L	1	
15			Liquid gasket only
16	FRC6943	1	Suffix F
	FTC4866	1	Suffix G
17	SF108251L	1	
18	FTC3178	1	
19	FB110081ML	5	
20	FTC1919	1	

Note(1) Up to transfer box 691925
 Note(2) From transfer box 691926
 Note(3) For other O ring see page 82
 Note(4) Prefix 22D, suffix F & G
 Note(5) Prefix 43D, suffix G





Model DEFENDER XD ALL VARIANTS

Page YDDBEA1A

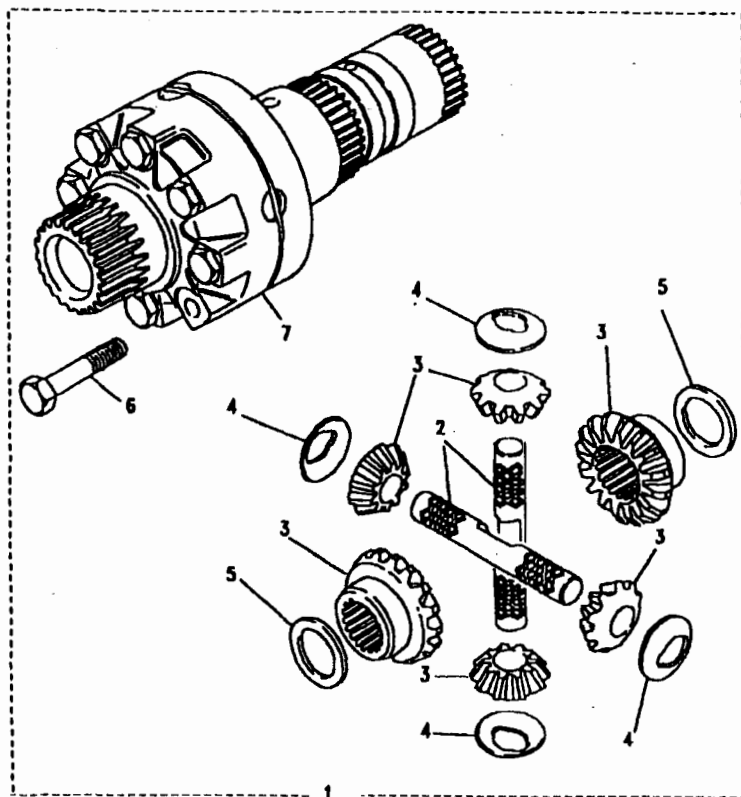
TRANSFER GEARBOX - CASING

Ill. Part No.	Description	Qty	Remarks
21 ANR3625	Bracket h/brake cable	1	
22 WA110001	Washer spring M10	1	
23 FN110047L	Nut M10	1	
24 PRC3180	Clip plastic	1	
25 ANR3227	Heat shield h/brake cable	1	Note(1)
26 FRC5415	Bottom cover	1	
27	Liquid gasket		
28 FS108251ML	Screw flanged M8 x 25	10	Note(2)
FS108251ML	Screw flanged M8 x 25	8)Note(3)
IYR100000	Stud	2)
29 599552	Plug drain	1	Note(4)
FTC5208	Plug drain	1	Note(5)
30 FRC4808	Copper sealing washer	1	Note(4)
	Liquid gasket		Note(5)
31 FS108061	Screw flanged M8 x 30	1	Earth wire fixing
Fixings - transfer box to gear box			
32 FRC2482	Dowel hollow	1	
33 571134	Dowel	1	
34 FTC890	Stud	2	
35 FB110091ML	Bolt flanged M10 x 45	1	
36 FB110071ML	Bolt flanged M10 x 35	3	
37 WL110001	Washer M10	2	
38 FN110047	Nut M10	2	
Sealant			
STC4404	Sealant Hyloamar 607	A/R	300ml

- Note(1) LH Stg only - not supplied with transfer box assembly.
- Note(2) Prefix 22D, suffix F & G
- Note(3) Prefix 43D, suffix G
- Note(4) Suffix F & G - up to transfer 691925
- Note(5) Suffix G - from transfer box 691926

Model DEFENDER XD ALL VARIANTS
Page YDDBGA1A

TRANSFER GEARBOX - DIFFERENTIAL



III. Part No.	Description	Qty	Remarks
1	FRC7926	1	Note(1)
	FTC5207	1	Note(2)
	FTC5013	1	Note(3)
2	RTC3397	1	
3	RTC4490	1	Note(1)
	STC2940	1	Note(4)
4	FRC6968	4	
5	FRC9845	A/R	
	FRC9847	A/R	
	FRC9849	A/R	
	FRC9851	A/R	
	FRC9853	A/R	
6	BH110121L	8	
7	FRC7499	1	

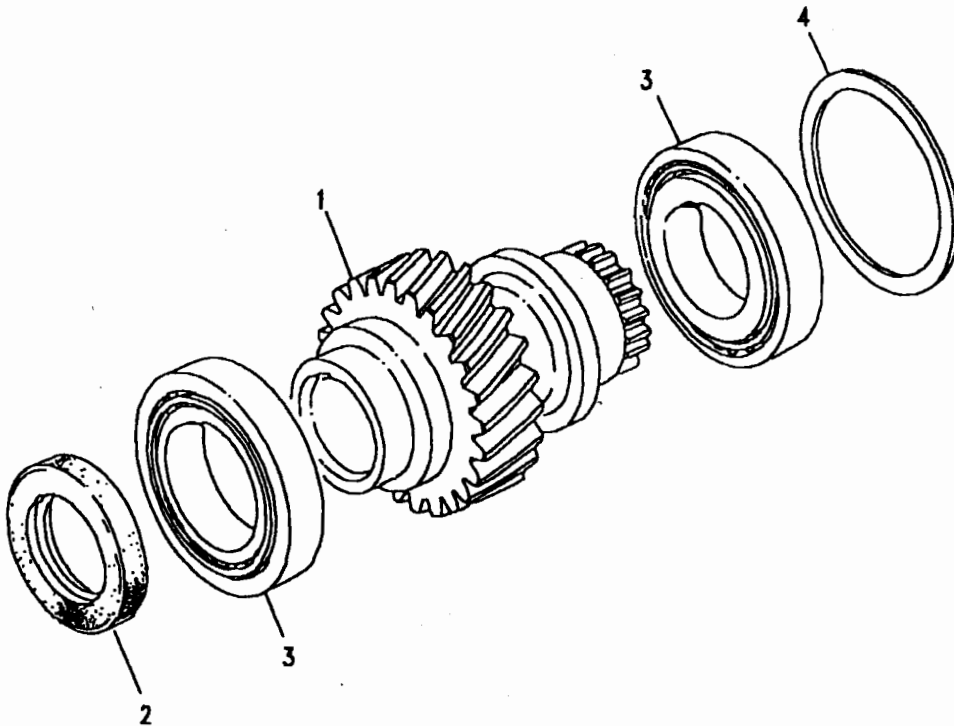
- Note(1) Prefix 22D, suffix F & G - up to transfer box 575041
- Note(2) Prefix 22D, suffix G - from transfer box 575042
- Note(3) Prefix 43D, suffix G
- Note(4) Prefix 22D & 43D, suffix G - from transfer box 575042

Model DEFENDER XD ALL VARIANTS
Page YDDBIA1A

TRANSFER GEARBOX - MAINSHAFT

III. Part No.	Description	Qty	Remarks
1	FTC5089	1	Suffix F
	FTC4962	1	Suffix G
2	FRC2365	1	Note(1)
	ICV100000	1	Note(2)
3	FRC5564	2	
4	FRC9926	A/R	
	FRC9928	A/R	
	FRC9930	A/R	
	FRC9932	A/R	
	FRC9934	A/R	
	FRC9936	A/R	
	FRC9938	A/R	
	FRC9940	A/R	
	FRC9942	A/R	
	FRC9944	A/R	
	FRC9946	A/R	
	FRC9948	A/R	
	FRC9950	A/R	
	FRC9952	A/R	
	FRC9954	A/R	
	FRC9956	A/R	
	FRC9958	A/R	
	FRC9960	A/R	

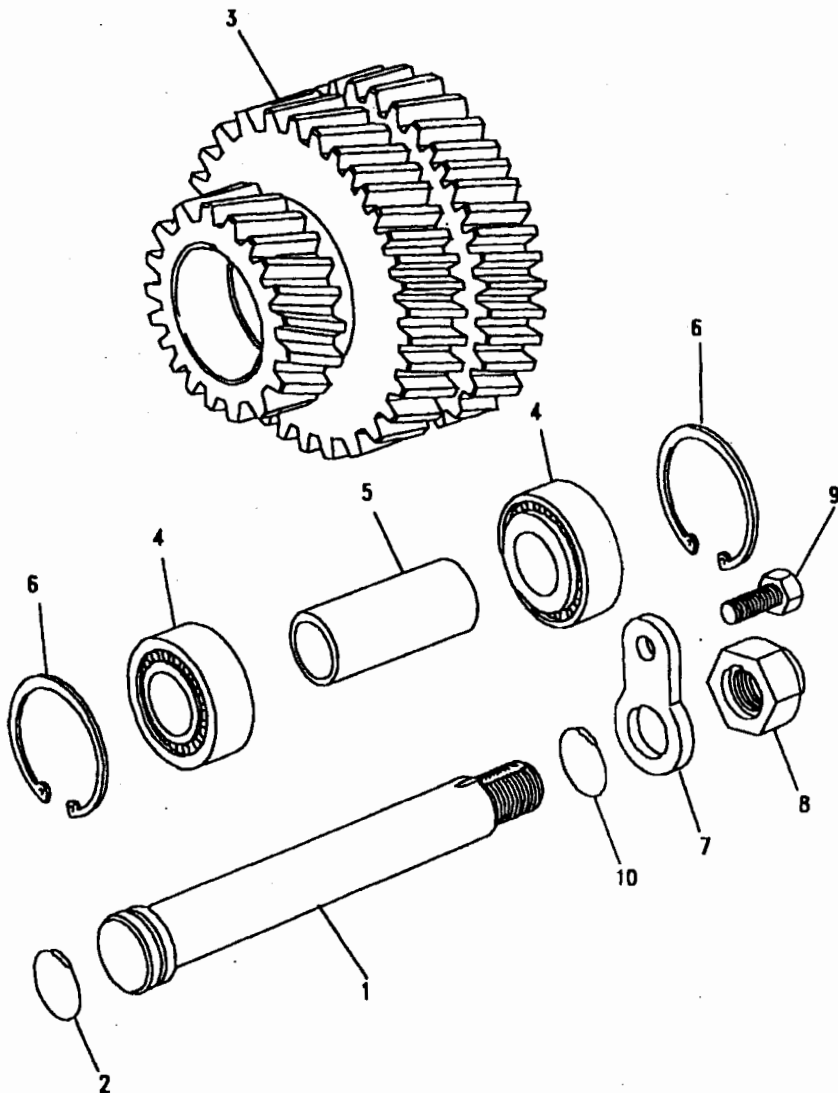
Note(1) Suffix F & G - up to transfer box 677403
 Note(2) Suffix G - from transfer box 677404



Model DEFENDER XD ALL VARIANTS

Page YDDBIA2A

TRANSFER GEARBOX - INTERMEDIATE SHAFT



III. Part No.	Description	Qty	Remarks
1 FRC8291	Shaft intermediate	1	
2 FRC8292	O ring front	1	Note(1)
3 FRC9460	Gear intermediate	1	
4 FRC7810	Bearing	2	Suffix F
STC3185	Bearing	2	Suffix G
5 FRC7437	Spacer collapsable	1	Note(2)
IEJ100010	Spacer 58.35mm	A/R	Note(3)
IEJ100030	Spacer 58.40mm	A/R)
IEJ100050	Spacer 58.45mm	A/R)
IEJ100070	Spacer 58.50mm	A/R)
IEJ100090	Spacer 58.55mm	A/R)
IEJ100110	Spacer 58.60mm	A/R)
IEJ100130	Spacer 58.65mm	A/R)
IEJ100150	Spacer 58.70mm	A/R)
IEJ100170	Spacer 58.75mm	A/R)
IEJ100190	Spacer 58.80mm	A/R)
IEJ100210	Spacer 58.85mm	A/R)
IEJ100230	Spacer 58.90mm	A/R)
IEJ100250	Spacer 58.95mm	A/R)
IEJ100270	Spacer 59.00mm	A/R)
IEJ100290	Spacer 59.05mm	A/R)
IEJ100310	Spacer 59.10mm	A/R)
IEJ100330	Spacer 59.15mm	A/R)
IEJ100350	Spacer 59.20mm	A/R)
IEJ100370	Spacer 59.25mm	A/R)
IEJ100390	Spacer 59.30mm	A/R)
6 FRC7454	Circlip	2	
7 FRC7452	Plate anti rotation	1	
8 FRC7453	Nut	1	
9 FS108251ML	Bolt flanged patchloc	1	
10 FRC7439	O ring rear	1	

Note(1)

Also shown on page 78 - 79

Note(2)

Prefix 22D, suffix F & G

Note(3)

Prefix 43D, suffix G

Model DEFENDER XD ALL VARIANTS
 Page YDDBIA3A

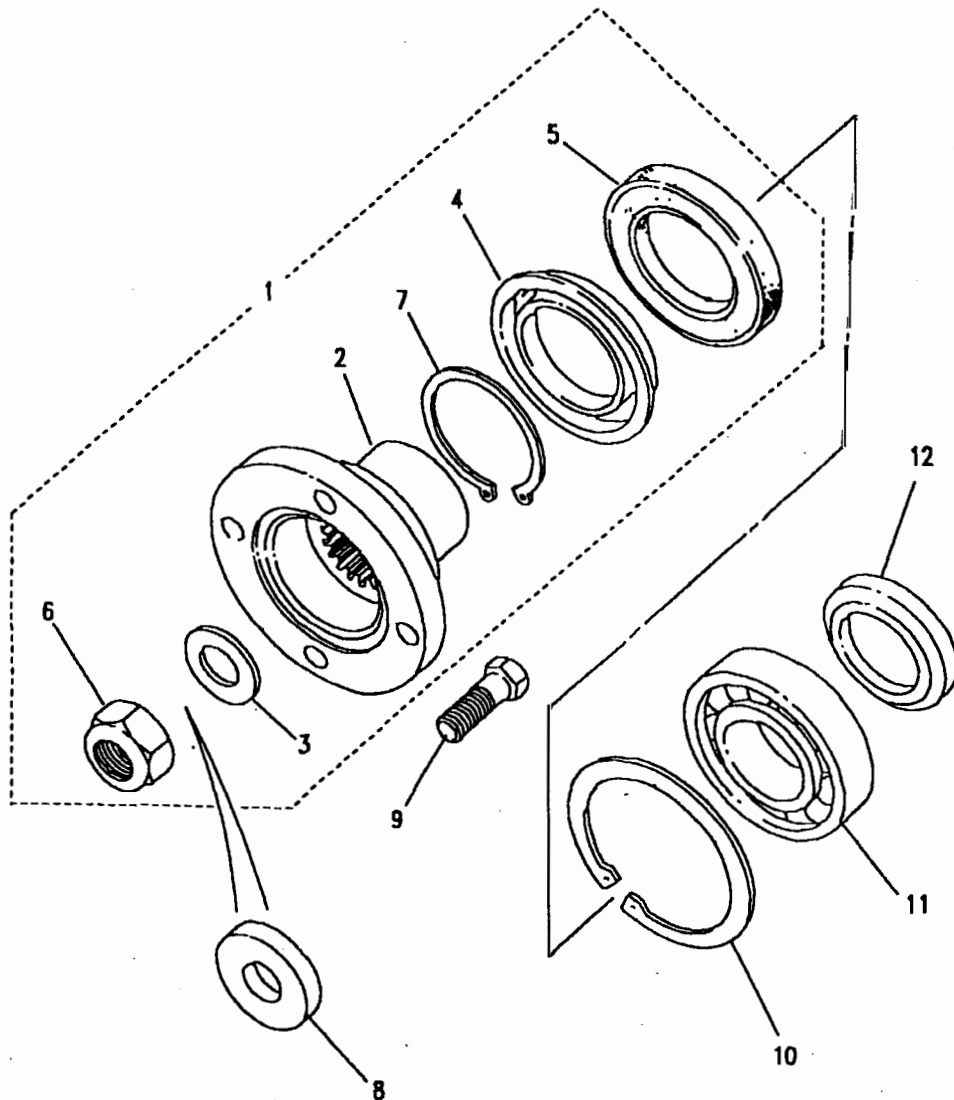
TRANSFER GEARBOX - OUTPUT FLANGE - FRONT

Ill. Part No.	Description	Qty	Remarks
1	STC3432	1	Note(1)
	STC4370	1	Note(2)
2	FRC5442	1	Note(1)
	IEC100020	1	Note(2)
3	FRC2464	1	
4	FTC4940	1	Note(1)
	ICN100000	1	Note(2)
5	FTC4939	1	Note(3)
6	NY120041L	1	
7	571682	1	Note(2)
8	571468	1	
9	BT606101L	4	
10	216962	1	
11	STC1130	1	
12	FRC5439	1	

Note(1)
 Note(2)
 Note(3)

Prefix 22D, suffix F & G
 Prefix 43D, suffix G

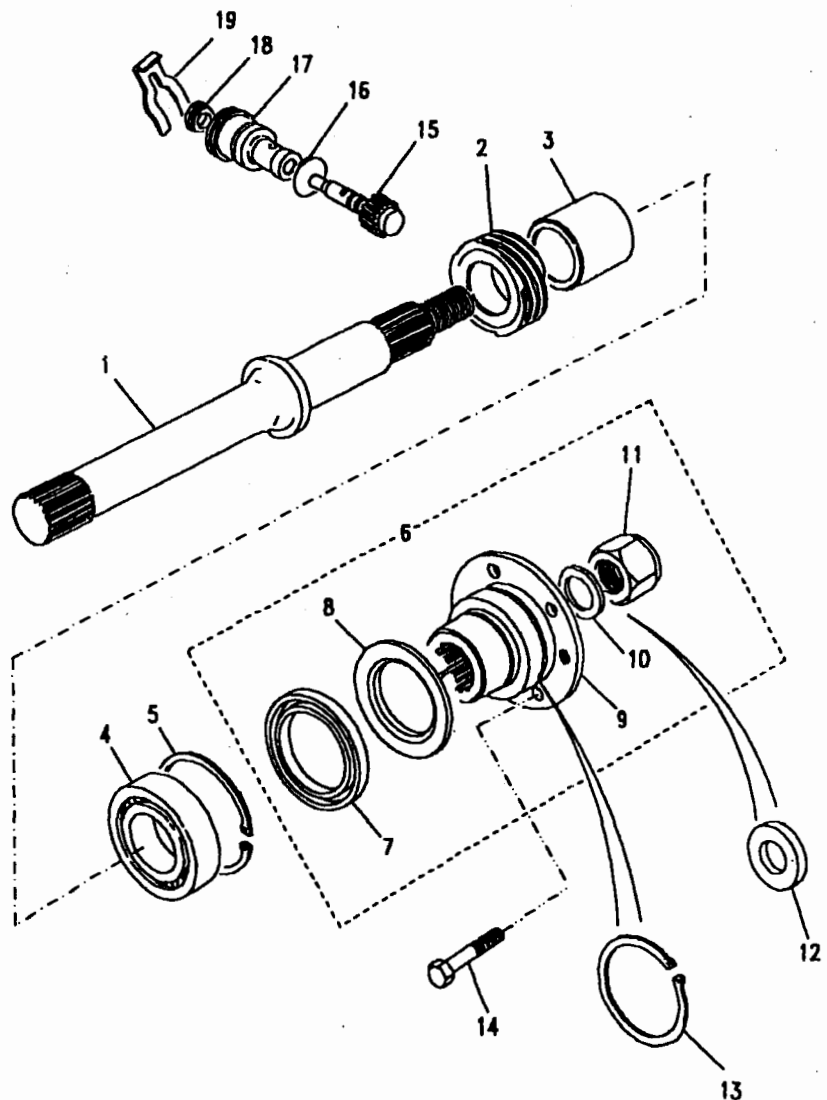
Land Rover recommend that when replacing oil seal a new flange assembly is also fitted.



Model DEFENDER XD ALL VARIANTS

Page YDDBIA4A

TRANSFER GEARBOX - OUTPUT FLANGE - REAR



Ill. Part No.	Description	Qty	Remarks
1	FRC5450 Shaft output rear	1	
2	FRC3162 Speedo worm gear	1	
3	FRC5446 Spacer	1	
4	STC1130 Bearing	1	
5	216962 Circlip	1	
6	STC3433 Kit flange rear	1	
7	FTC4939 Oil seal	1	Note(1)
8	FTC4941 Mud shield	1	
9	FTC4942 Flange output rear	1	
10	FRC2464 Washer sealing	1	
11	NY120041L Nut M20	1	
12	571468 Washer	1	
13	571682 Circlip	1	
14	FRC3602 Bolt propshaft	1	
15	FRC3310 Speedo drive gear	1	
16	571665 O ring	1	
17	FRC3286 Housing	1	
18	AAU2304 Seal oil	1	
19	533765 Plate retaining	1	

Note(1) Land Rover recommend that when replacing oil seal a new flange assembly is also fitted.



Model DEFENDER XD ALL VARIANTS

Page YDDBIA5A

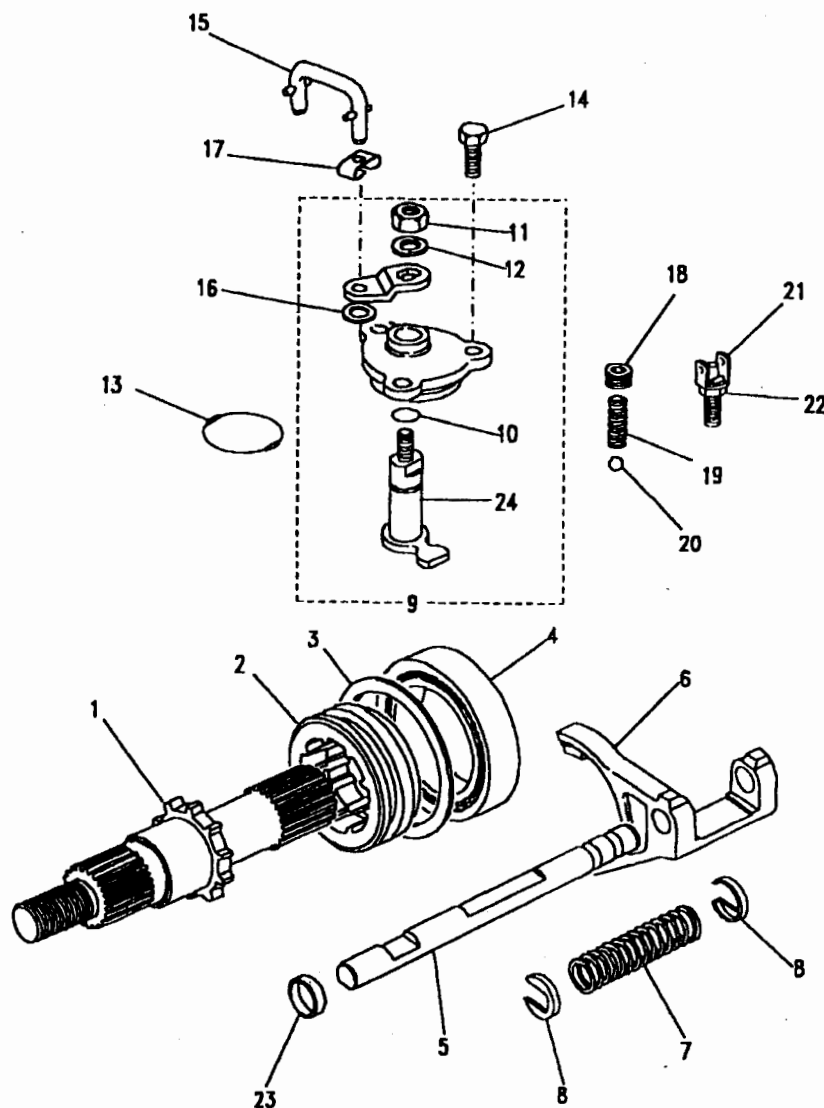
TRANSFER GEARBOX - OUTPUT SHAFT - FRONT

III. Part No. Description Qty Remarks

1	FRC5449	Shaft output front	1
2	FRC5440	Dog clutch diff lock	1

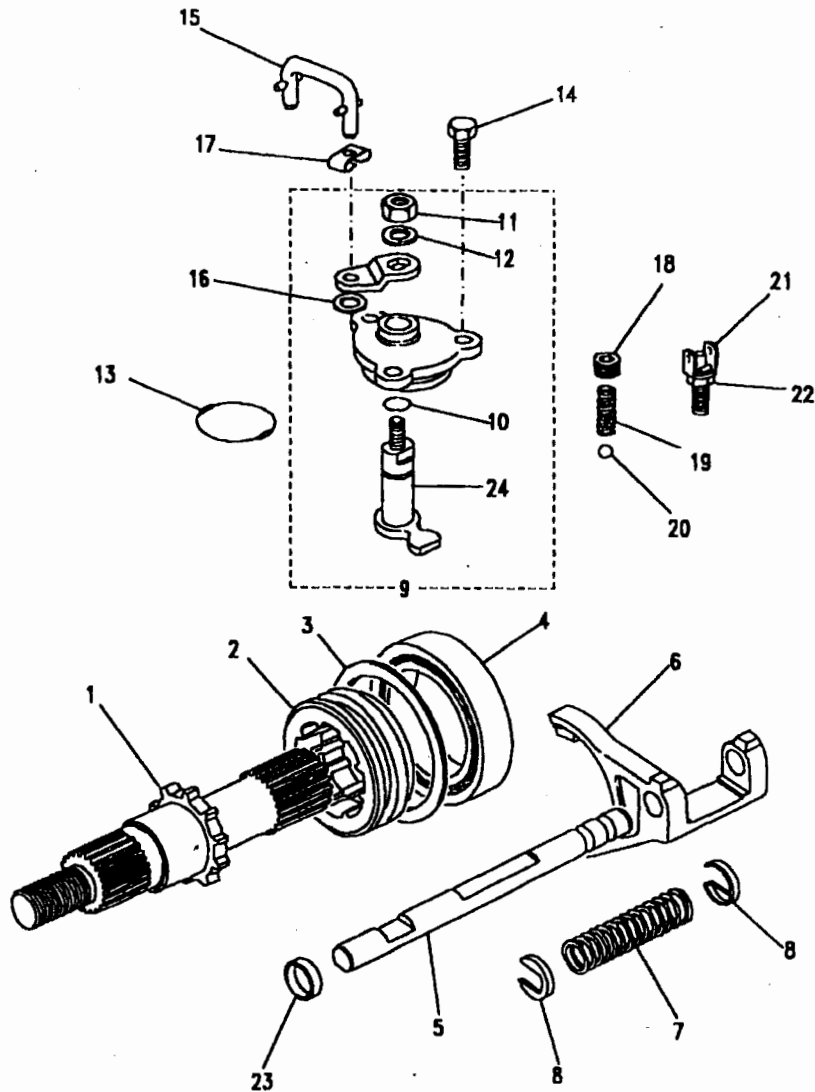
Shims selective

3	FTC726	Shim 2.00mm	1
	FTC728	Shim 2.05mm	1
	FTC730	Shim 2.10mm	1
	FTC732	Shim 2.15mm	1
	FTC734	Shim 2.20mm	1
	FTC736	Shim 2.25mm	1
	FTC738	Shim 2.30mm	1
	FTC740	Shim 2.35mm	1
	FTC742	Shim 2.40mm	1
	FTC744	Shim 2.45mm	1
	FTC746	Shim 2.50mm	1
	FTC748	Shim 2.55mm	1
	FTC750	Shim 2.60mm	1
	FTC752	Shim 2.65mm	1
	FTC754	Shim 2.70mm	1
	FTC756	Shim 2.75mm	1
	FTC758	Shim 2.80mm	1
	FTC760	Shim 2.85mm	1
	FTC762	Shim 2.90mm	1
	FTC764	Shim 2.95mm	1
	FTC766	Shim 3.00mm	1
	FTC768	Shim 3.05mm	1
	FTC770	Shim 3.10mm	1
	FTC772	Shim 3.15mm	1
	FTC774	Shim 3.20mm	1
	FTC776	Shim 3.25mm	1



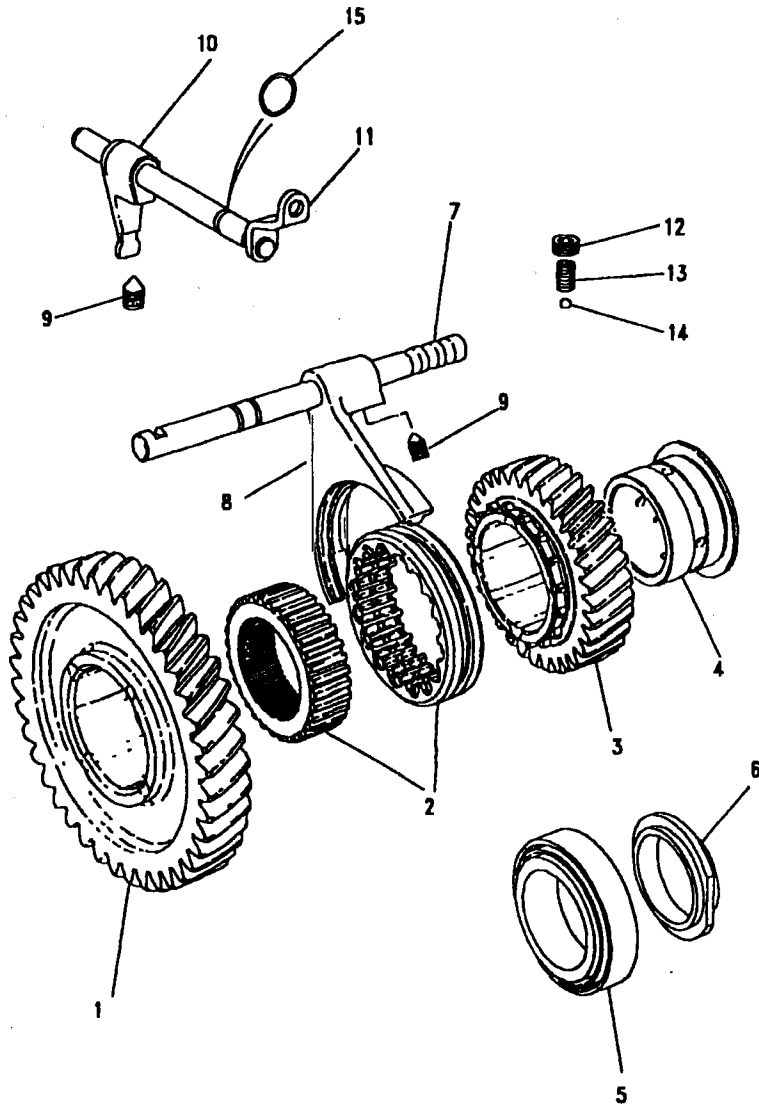
Model DEFENDER XD ALL VARIANTS
 Page YDDBIA5A

TRANSFER GEARBOX - OUTPUT SHAFT - FRONT



Ill. Part No.	Description	Qty	Remarks	
4	FRC7871	1	Bearing taper	
5	FRC6030	1	Shaft selector	
6	FRC6109	1	Fork selector	
7	FRC5468	1	Spring	
8	FRC5469	2	Clip	
9	FRC7686	1	Housing assembly	
10	FRC5576	1	O ring	
11	NY108041L	1	Nut nyloc M8	
12	WA108051L	1	Washer M8	
13	FRC5473	1	O ring	
14	FS108251ML	3	Flanged patch bolt M8x25	
15	FTC3698	1	Link connecting	
16	WA106041L	2	Washer M6	
17	FTC3674	2	Clip retaining	
18	SU112101M	1	Plug detent patchlock	Note(1)
	SU112101S	1	Plug detent patchlock	Note(2)
19	FRC5562	1	Spring detent	
20	571146	1	Ball detent	
21	PRC2911	1	Switch diff lock	
	IGM100020	1	Switch diff lock	Waterproof
22	UYF100160	1	Nut spacing	
23	FRC6110	1	Plug	
24	FRC7098	1	Pivot shaft and arm	

Note(1) Suffix F & G - up to transfer box 595940
 Note(2) Suffix G - from transfer box 595941



Model DEFENDER XD ALL VARIANTS
Page YDDBKA1A

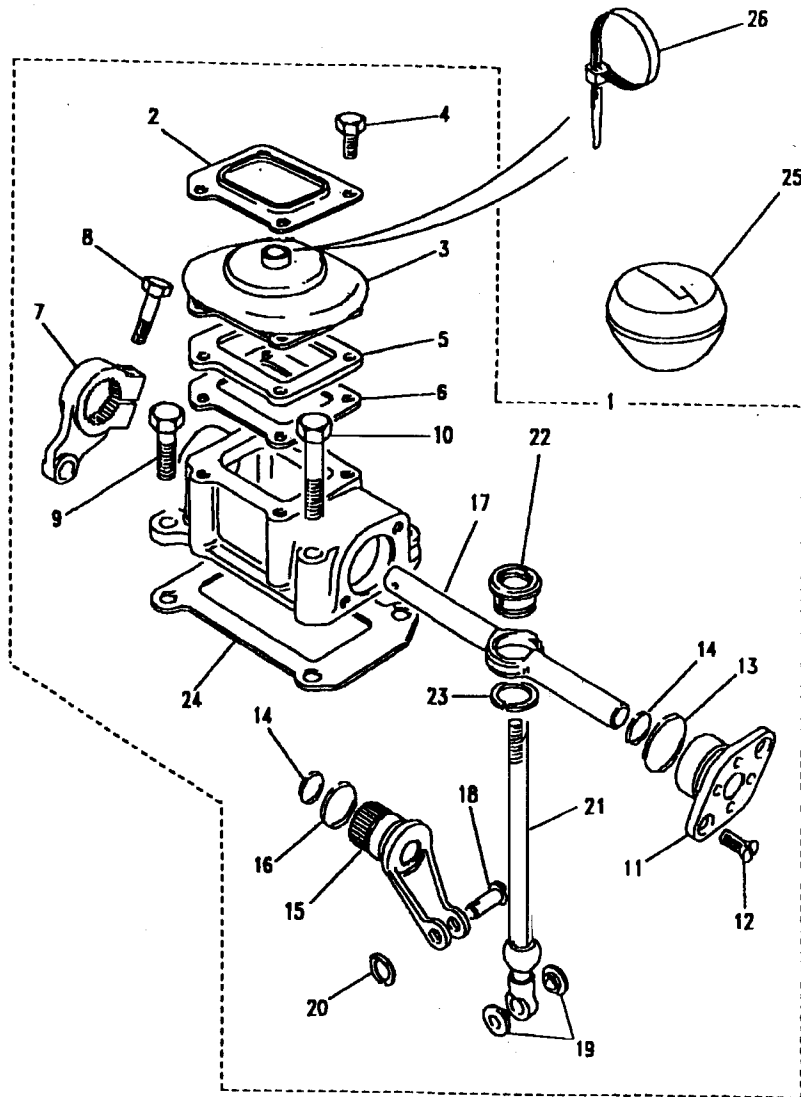
TRANSFER GEARBOX - HIGH/LOW GEARS

III. Part No.	Description	Qty	Remarks
1 FTC1084	Gear output low	1	
2 FTC382	Hub assembly high/low	1	Note(1)
IEQ100000	Hub assembly high/low	1	Note(2)
FTC5099	Hub assembly high/low	1	Note(3)
3 FTC1741	Gear output high	1	
4 FRC7441	Bush & thrust washer assy	1	Note(4)
IEE100050	Bush & thrust washer assy	1	Note(3)
5 606474	Bearing	1	
6 FRC7970	Nut bearing retainer	1	
7 FTC3627	Shaft selector	1	
8 FTC2827	Fork selector	1	
9 FTC4536	Screw	1	
10 FRC7929	Selector	1	
11 FRC8900	Arm operating	1	
12 FRC9549	Plug detent	1	
13 FRC9546	Spring detent	1	
14 571146	Ball detent	1	
15 FRC5575	O ring	1	Note(5)

Note(1) Prefix 22D, suffix F & G - up to transfer box 681982
 Note(2) Prefix 22D, suffix G - from transfer box 681893
 Note(3) Prefix 43D, suffix G
 Note(4) Prefix 22D, suffix F & G
 Note(5) Also shown on page 77

Model DEFENDER XD ALL VARIANTS
Page YDDBMA1A

TRANSFER GEARBOX - GEAR CHANGE

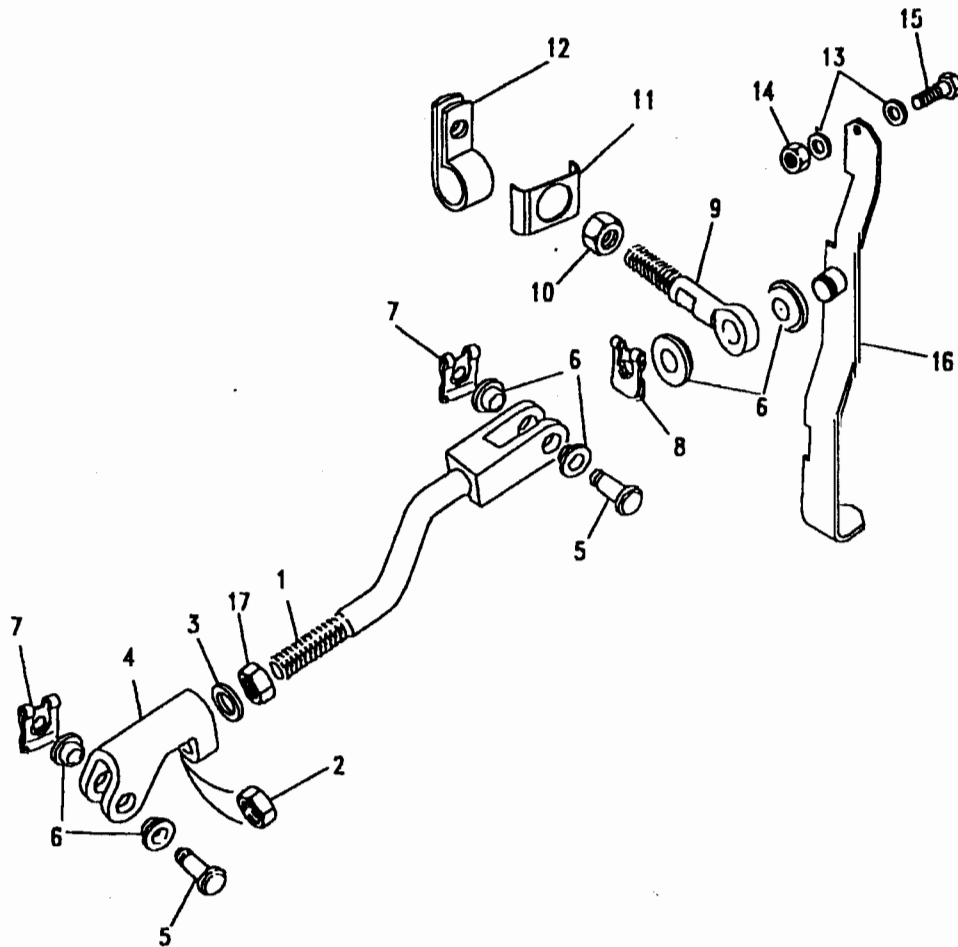


III. Part No.	Description	Qty	Remarks
1	FRC9555	1	Gear change assembly
2	FRC6873	1	Plate
3	FRC6872	1	Grommet
4	FS106207L	4	Screw flanged M6 x 20
5	FRC8561	1	Plate gasket
6	FTC4037	1	Gasket
7	FRC5478	1	Arm operating
8	FS106251M	1	Bolt patchlock M6 x 25
9	FS108251ML	2	Bolt patchlock M8 x 25
10	FB108111L	2	Bolt flanged M8 x 55
11	FRC5574	1	Cover end
12	SF106201L	2	Screw M6 x 20
13	FRC8292	1	O ring
14	FRC4951	2	O ring
15	FRC5480	1	Crank arm
16	FRC5479	1	O ring
17	FRC8203	1	Cross shaft
18	FRC8766	1	Pin clevis
19	FRC4499	1	Bush
20	ETC7884	1	Clip retaining
21	FRC7487	1	Gear lever high-low
22	FRC5076	1	Seat
23	CR120215	1	Circlip
24	FTC4036	1	Gasket
25	FTC3852	1	Gear knob high-low
26	573256	1	Cable tie 4.8 x 115mm

Model DEFENDER XD ALL VARIANTS

Page YDDBMA2A

TRANSFER GEARBOX - OPERATING ROD ASSEMBLY

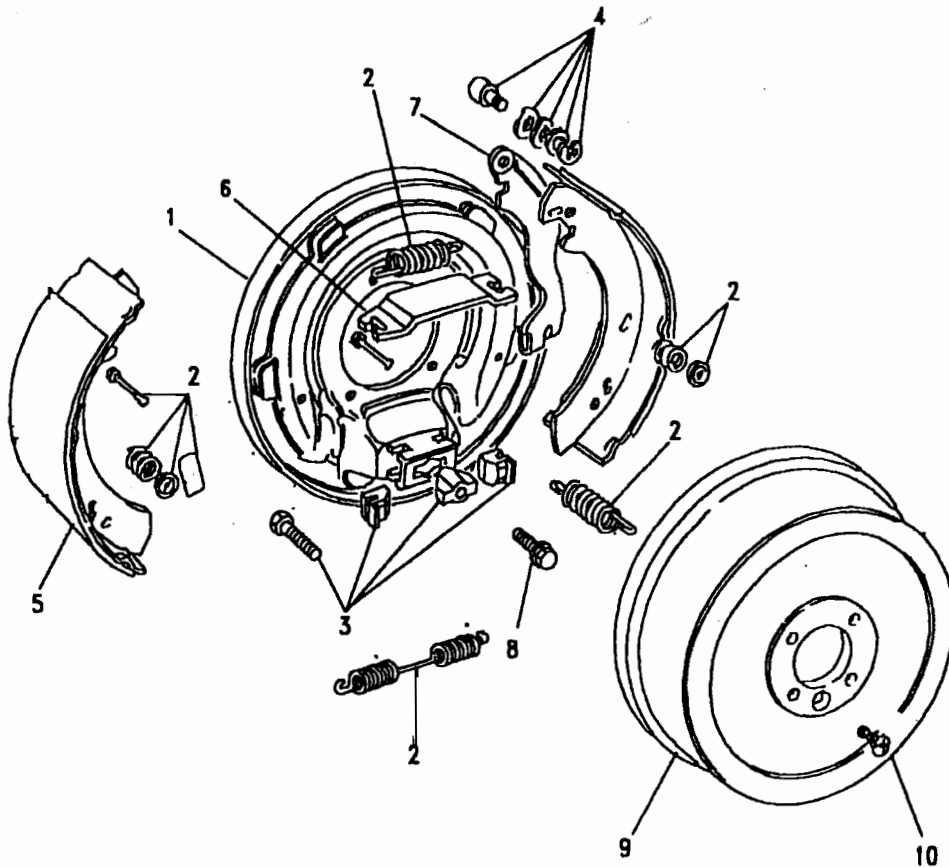


Ill. Part No.	Description	Qty	Remarks
1	FTC3675	1	Rod connecting
2	NY108041L	1	Nut M8 nyloc
3	WA108001L	1	Washer plain M8
4	FRC8075	1	Clevis
5	FRC8767	2	Pin clevis
6	FRC4499	6	Nylon bush
7	FRC8548	2	Clip clevis pin
8	FRC8548	1	Clip clevis pin
9	FRC8202	1	Pin pivot
10	NH108041L	1	Nut M8
11	FRC9310	1	Plate
12	622324	1	P clip breather pipes
13	WA106041L	2	Washer 6mm
14	NY105041L	1	Nut nyloc M6
15	FB105051L	1	Flanged bolt M6
16	FTC4095	1	Arm differential lock
17	NT108041L	1	Nut M8

Model DEFENDER XD ALL VARIANTS
Page YDDBRA1A

TRANSFER GEARBOX - TRANSMISSION BRAKE

III. Part No.	Description	Qty	Remarks
1 STC1533	Backplate	1	
2 STC1526	Kit brake springs	1	
3 STC1527	Kit adjuster brake	1	
4 STC1532	Kit brake shoe retention	1	
5 STC1525	Brake shoe kit	1	
6 STC1536	Cross shaft	1	
7 STC1538	Lever brake shoe	1	
8 AFU1400	Bolt	4	
9 FRC3502	Drum brake	1	
10 SA10B201L	Screw csk hd M8 x 20	1	





MASTER INDEX

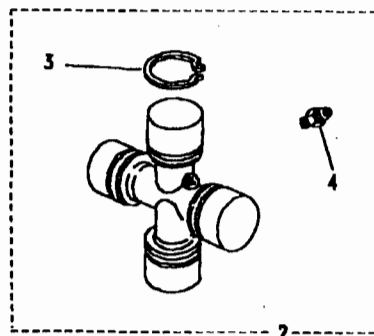
	PAGES
INTRODUCTION PAGES	1 - 4
ALPHABETICAL INDEX	5 - 16
ENGINE	17 - 57
GEARBOX	58 - 74
TRANSFER BOX	75 - 90
AXLES AND SUSPENSION	91 - 129
STEERING	130 - 141
VEHICLE AND ENGINE CONTROLS	142 - 148
BRAKES	149 - 161
FUEL SYSTEM AND AIR CLEANER	162 - 179
EXHAUST SYSTEM	180 - 185
COOLING/HEATING	186 - 225
BODY ELECTRICAL	226 - 319
BODY AND CHASSIS	320 - 444
INTERIOR TRIM	445 - 459
SEATS	460 - 473
STOWAGE	474 - 482
ACCESSORIES - PAINTS	483 - 495
NUMERICAL INDEX	497 - 530

GROUP E

AXLES AND SUSPENSION

AXLES AND SUSPENSION		
FRONT PROPSHAFT		92
REAR PROPSHAFT - 90		93
REAR PROPSHAFT - 110		94
REAR PROPSHAFT - AMBULANCE		95
FRONT AXLE - ASSEMBLY		96
FRONT AXLE - CASING		97
FRONT AXLE - DIFFERENTIAL	98 -	100
FRONT AXLE - DRIVE SHAFTS		101
FRONT AXLE - SWIVEL PIN HOUSING		102
FRONT AXLE - HUBS	103 -	104
REAR AXLE - ASSEMBLY - 90		105
REAR AXLE - ASSEMBLY - 110		106
REAR AXLE - CASING - 90		107
REAR AXLE - CASING - 110		108
REAR AXLE - DIFFERENTIAL ASSEMBLY - 90	109 -	110
REAR AXLE - DIFFERENTIAL ASSEMBLY - 110		111
REAR AXLE - DIFFERENTIAL GEARS - 90		112
REAR AXLE - DIFFERENTIAL GEARS - 110		113
REAR AXLE - DRIVE SHAFTS AND HUBS - 90		114
REAR AXLE - DRIVE SHAFTS AND HUBS - 110		115
BREATHERS - REMOTE - 90		116
BREATHERS - REMOTE - 110		117
ROAD WHEELS		118
FRONT - RADIUS ARM AND LINKS		119
FRONT - SHOCK ABSORBER & ROAD SPRING - 90		120
FRONT - SHOCK ABSORBER & ROAD SPRING - 110		121
FRONT - SHOCK ABSORBER & ROAD SPRING - AMBULANCE		122
FRONT - ANTI-ROLL BAR - 110		123
REAR - BOTTOM LINK - 90		124
REAR - BOTTOM LINK - 110		125
REAR - TOP LINK, FULCRUM & BALL JOINT		126
REAR - SHOCK ABSORBER & ROAD SPRING - 90		127
REAR - SHOCK ABSORBER & ROAD SPRING - 110		128
REAR - ANTI-ROLL BAR - AMBULANCE		129





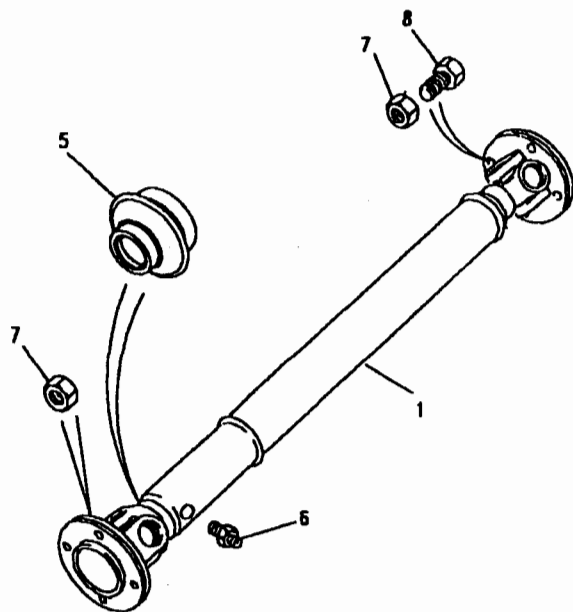
Model DEFENDER XD ALL VARIANTS

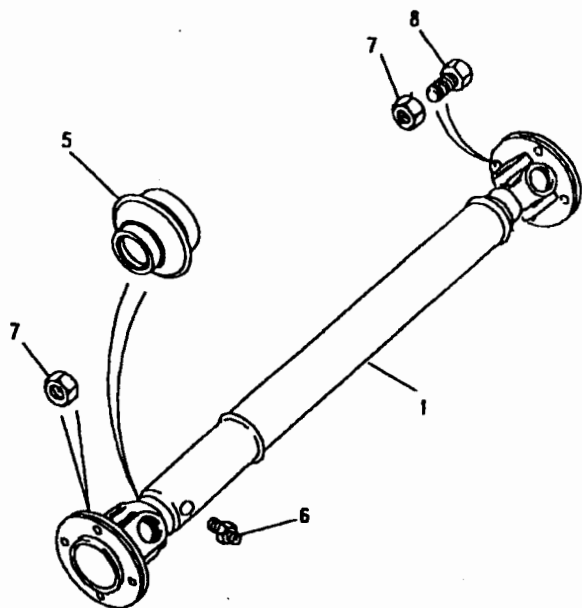
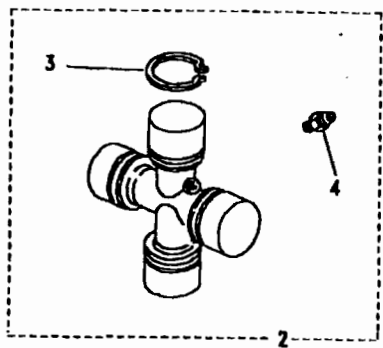
Page YDEXAA1A

AXLES - FRONT PROPSHAFT

Ill. Part No.	Description	Qty	Remarks
1	FRC8386 Propellor shaft front	1	
2	RTC3458 Universal joint	2	
3	242522 Circlip	8	
4	549229 Nipple grease	2	
5	STC2955 Gaiter assembly	1	NLA use TVE100000
	TVE100000 Gaiter assembly	1	
6	234532 Nipple grease	1	
7	NZ606041L Nut	8	
8	509045P Bolt	4	Note(1)

Note(1) For fixing bolts at transfer box - see page 83



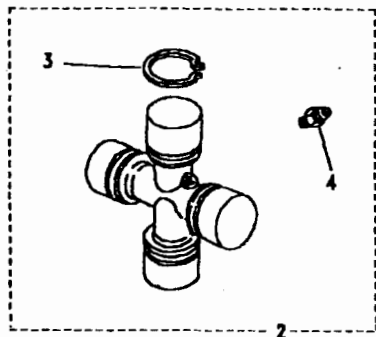


Model DEFENDER XD ALL VARIANTS
Page YDEXAC1A

AXLES - REAR PROPSHAFT - 90

III. Part No.	Description	Qty	Remarks
1 FRC8393	Propellor shaft rear	1	
2 RTC3458	Universal joint	2	
3 242522	Circlip	8	
4 549229	Nipple grease	2	
5 STC2955	Gaiter assembly	1	NLA use TVE100000
TVE100000	Gaiter assembly	1	
6 234532	Nipple grease	1	
7 NZ606041L	Nut	8	
8 509045P	Bolt	4	Note(1)

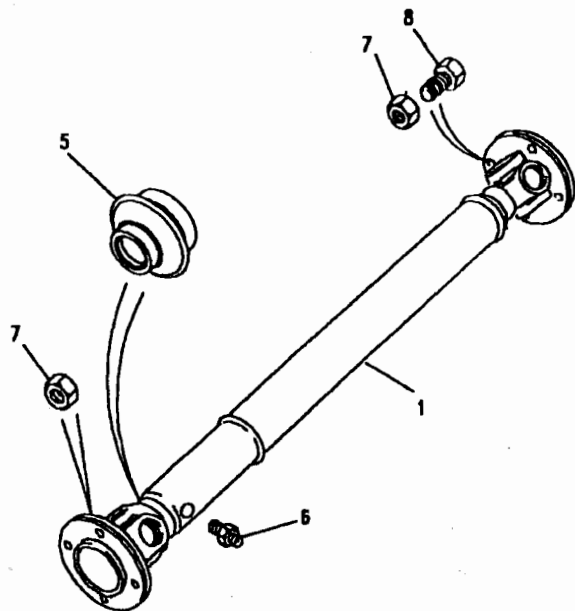
Note(1) For fixing bolt at transfer box - see page 84



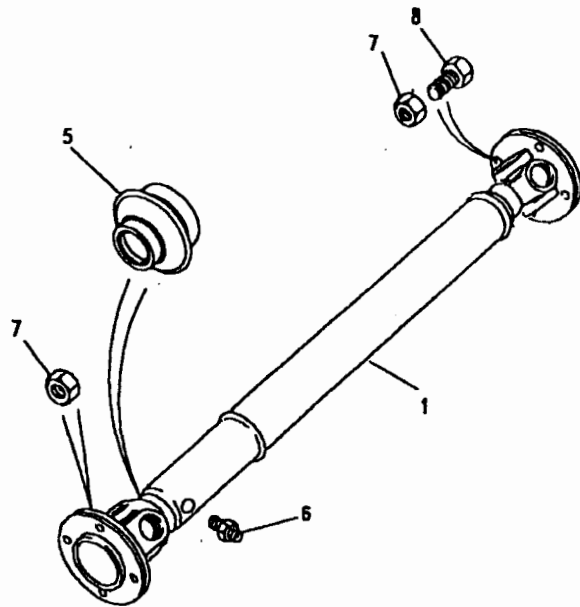
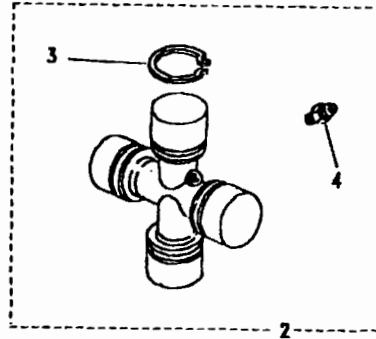
Model DEFENDER XD ALL VARIANTS
 Page YDEXAC2A

AXLES - REAR PROPSHAFT - 110

III. Part No.	Description	Qty	Remarks
1 FTC4198	Propellor shaft rear	1	
2 RTC4587	Universal joint	2	NLA use TVC100010
TVC100010	Universal joint	2	
3 242522	Circlip	8	
4 549229	Nipple grease	2	
5 STC2955	Gaiter assembly	1	NLA use TVE100000
TVE100000	Gaiter assembly	1	
6 234532	Nipple grease	1	
7 NZ606041L	Nut	8	
8 509045P	Bolt	4	Note(1)



Note(1) For fixing bolt at transfer box - see page 84



Model DEFENDER XD ALL VARIANTS
Page YDEXAC3A

AXLES - REAR PROPSHAFT - AMBULANCE

III. Part No.	Description	Qty	Remarks
1 FTC4443	Propellor shaft rear	1	
2 RTC4587	Universal joint	2	NLA use TVC100010
TVC100010	Universal joint	2	
3 242522	Circlip	8	
4 549229	Nipple grease	2	
5 STC2955	Gaiter assembly	1	NLA use TVE100000
TVE100000	Gaiter assembly	1	
6 234532	Nipple grease	1	
7 NZ606041L	Nut	8	
8 509045P	Bolt	4	Note(1)

Note(1) For fixing bolt at transfer box - see page 84

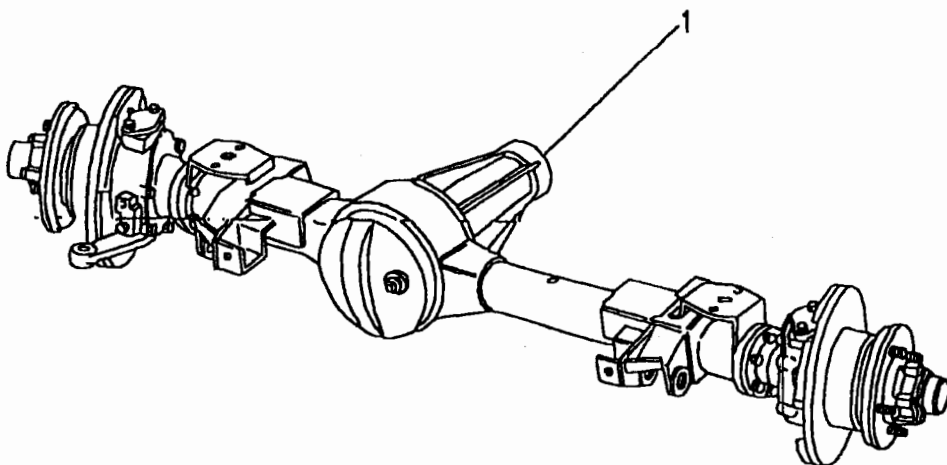


Model DEFENDER XD ALL VARIANTS
Page YDEXCA1A

AXLES - FRONT AXLE - ASSEMBLY

Ill. Part No.	Description	Qty	Remarks
1 FTC4655	Axle assembly front	1	RH Stg - note(1&3)
FTC4656	Axle assembly front	1	LH Stg - note(2&3)

Note(1) Prefix - 65L, suffix - A
 Note(2) Prefix - 66L, suffix - A
 Note(3) Axles supplied without oil in differential or grease in swivels.

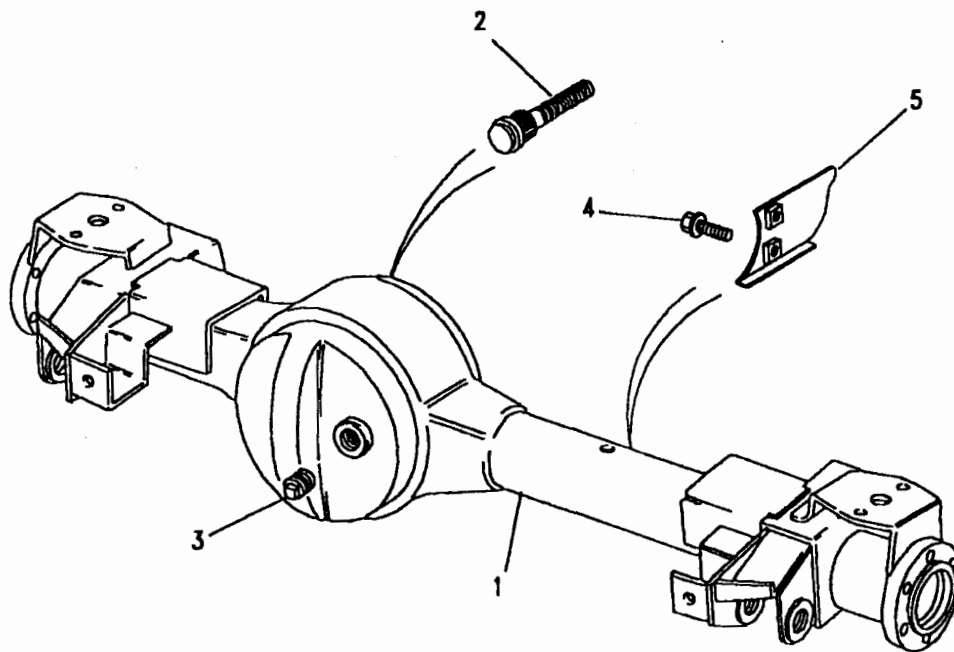




Model DEFENDER XD ALL VARIANTS
Page YDEXCC1A

AXLES - FRONT AXLE - CASING

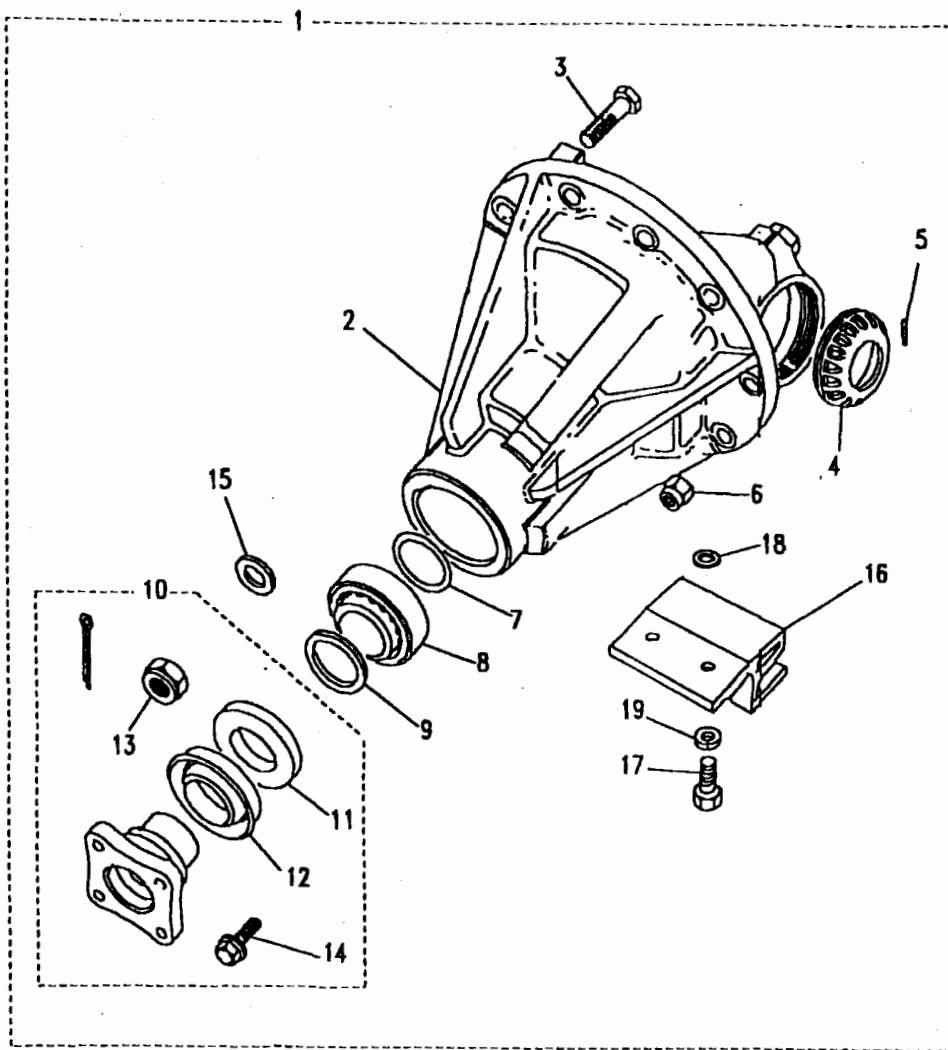
Ill. Part No.	Description	Qty	Remarks
1	FTC4658	1	Axle case front
2	561196	10	Stud 3/8unf x 1 3/4"
3	608246	2	Plug oil level/drain
4	FS110251L	4	Bolt fixing
5	ANR5483	2	Bracket



Model DEFENDER XD ALL VARIANTS
Page YDEXCE1A

AXLES - FRONT AXLE - DIFFERENTIAL

III. Part No.	Description	Qty	Remarks
1	FTC3272	1	
	FTC3272E	1	Exchange
2	FRC4112	1	
3	BH112101L	4	
4	FTC4210	2	
5	576159	2	
6	NY606041L	10	
7	FTC3869	A/R	
	FTC3871	A/R	
	FTC3873	A/R	
	FTC3875	A/R	
	FTC3877	A/R	
	FTC3879	A/R	
	FTC3881	A/R	
	FTC3883	A/R	
	FTC3885	A/R	
	FTC3887	A/R	
	FTC3889	A/R	
	FTC3891	A/R	
	FTC3893	A/R	
	FTC3895	A/R	
8	539707	1	
9	539745	1	

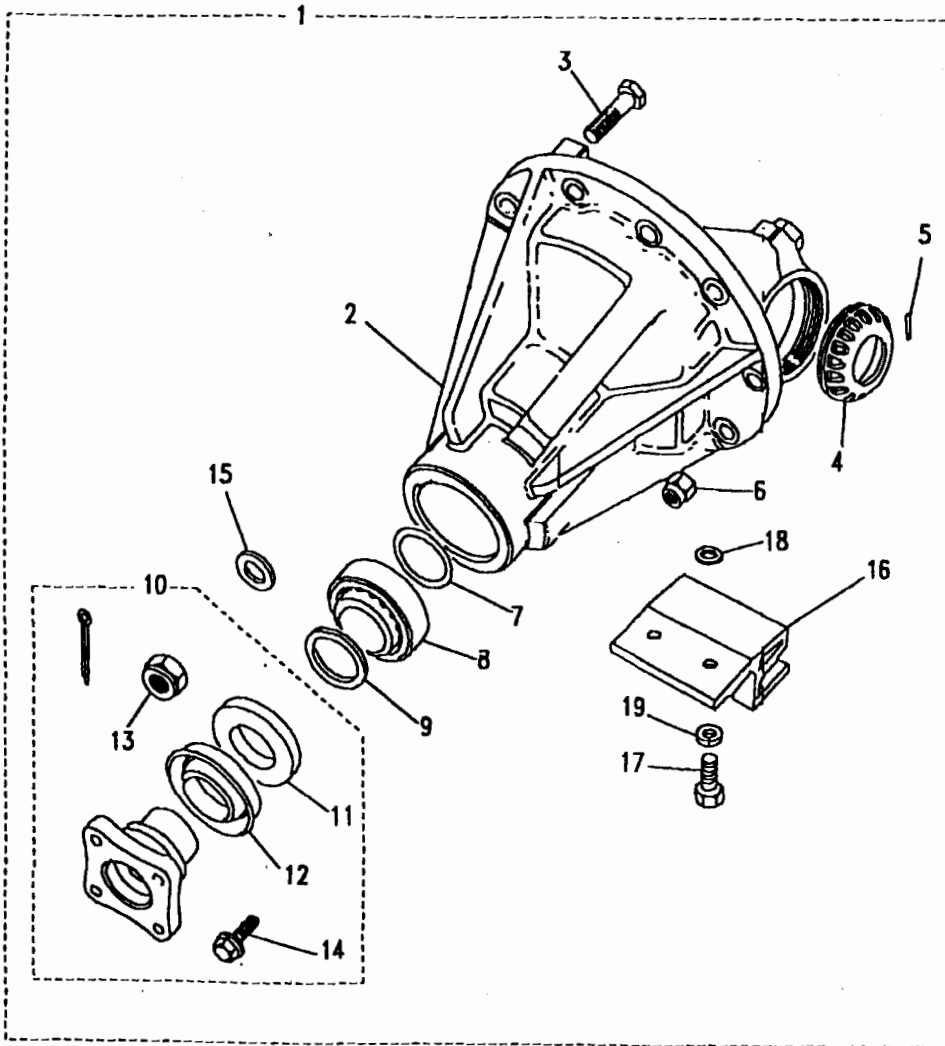


Model DEFENDER XD ALL VARIANTS
Page YDEXCE1A

AXLES - FRONT AXLE - DIFFERENTIAL

III. Part No.	Description	Qty	Remarks
10	STC3722	1	
11	FTC5258	1	Note(1)
12	FTC5317	1	
13	NY116041L	1	Note(2)
14	FS112301P	1	Note(3)
15	90513454	1	Note(2)
	FTC5413	1	Note(3)
16	NRC9713	1	Note(4)
	QEU101060	1	Note(5)
17	SH406061L	2	
18	WJ110007L	2	Note(4)
19	WM600061	2	Note(5)

- Note(1) Land Rover recommend that when replacing the pinion oil seal a full flange kit is fitted.
 Note(2) Up to axle 65L02207A & 66L00477A
 Note(3) From axle 65L02208A & 66L00478A
 Note(4) Up to axle 65L03027A & 66L01012A
 Note(5) From axle 65L03028A & 66L01013A



Model DEFENDER XD ALL VARIANTS
Page YDEXCG1A

AXLES - FRONT AXLE - DIFFERENTIAL

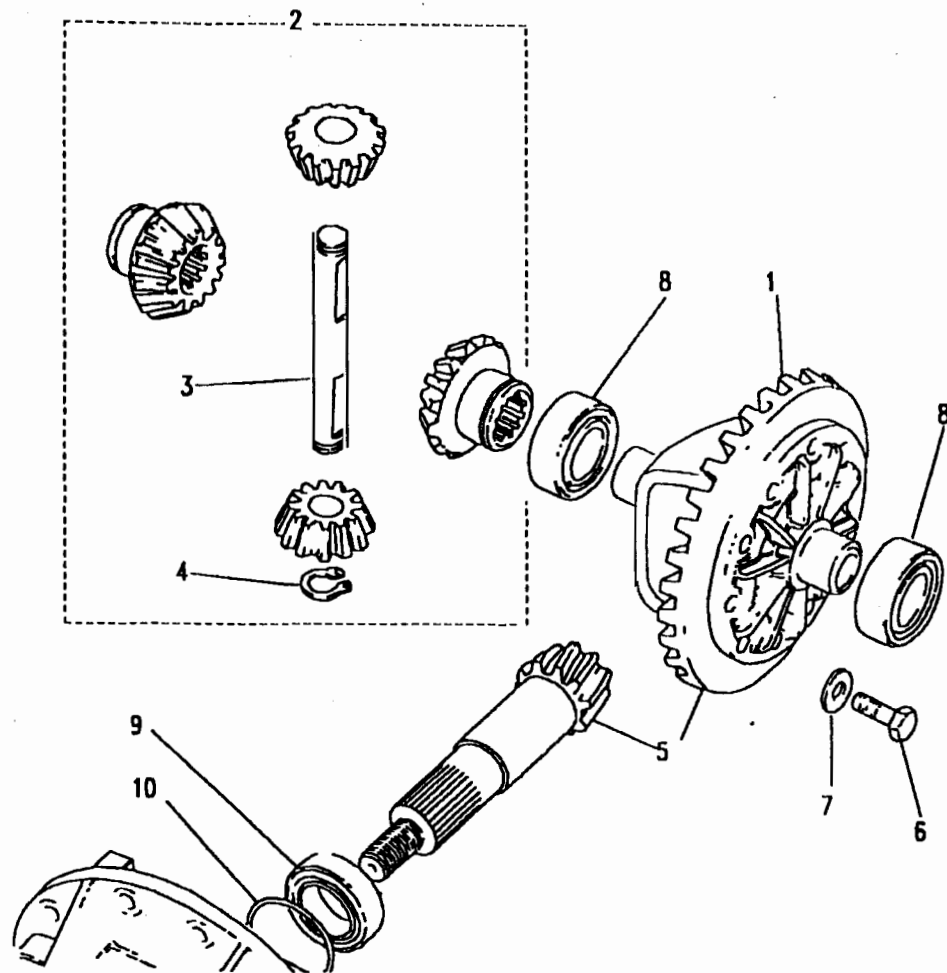
III. Part No.	Description	Qty	Remarks
1	FTC3269	1	Case differential
2	STC1846	1	Kit gear differential
3	599945	1	Cross shaft
4	CCN110L	2	Circlip
5	FTC3620	1	Crownwheel and pinion
	TBH100040	1	Crownwheel and pinion
6	FTC3586	10	Bolt
7	593693	10	Washer plain
8	RTC3095	2	Bearing differential
9	539706	1	Bearing pinion

Selective shim - pinion bearing head

10	FTC3853	Shim 1.548mm	A/R
	FTC3855	Shim 1.498mm	A/R
	FTC3857	Shim 1.448mm	A/R
	FTC3859	Shim 1.398mm	A/R
	FTC3861	Shim 1.348mm	A/R
	FTC3863	Shim 1.298mm	A/R
	FTC3865	Shim 1.248mm	A/R
	FTC3867	Shim 1.198mm	A/R

Note(1)
Note(2)

Up to axle 65L02207A & 66L00477A - nut fixing flange.
From axle 65L02208A & 66L00478A - bolt fixing flange.





Model DEFENDER XD ALL VARIANTS
Page YDEXC11A

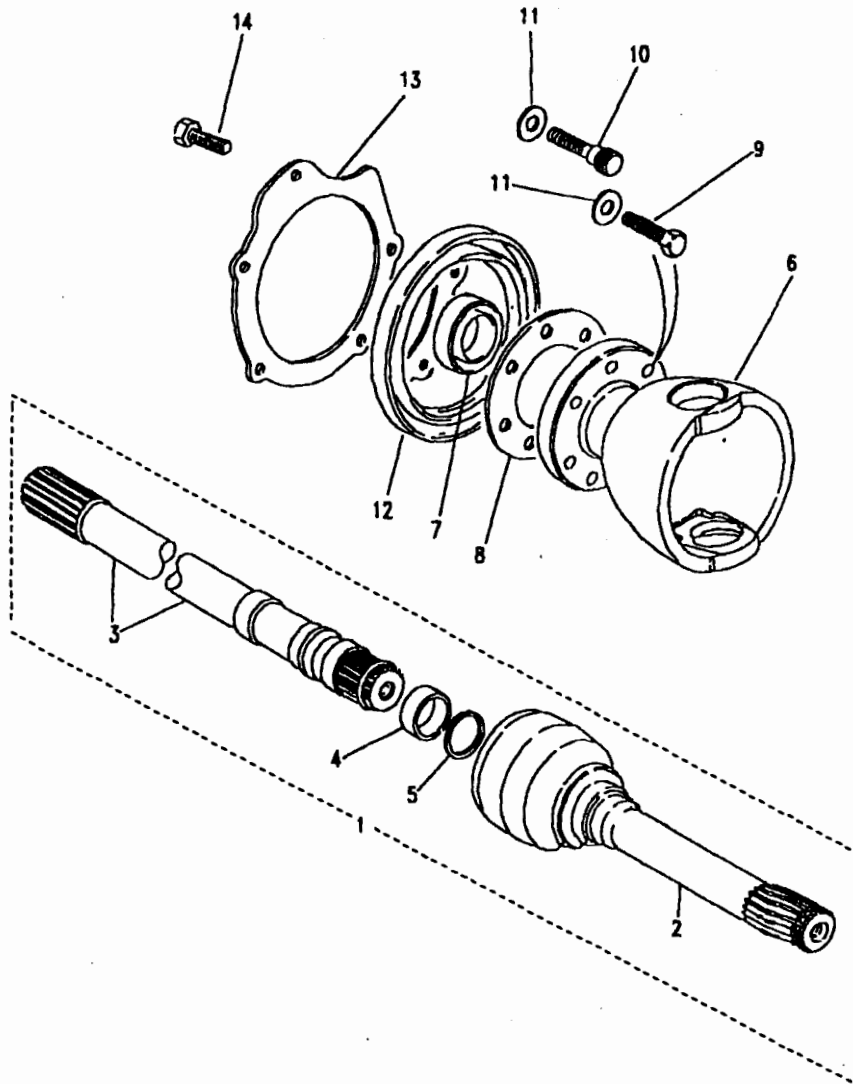
AXLES - FRONT AXLE - DRIVE SHAFTS

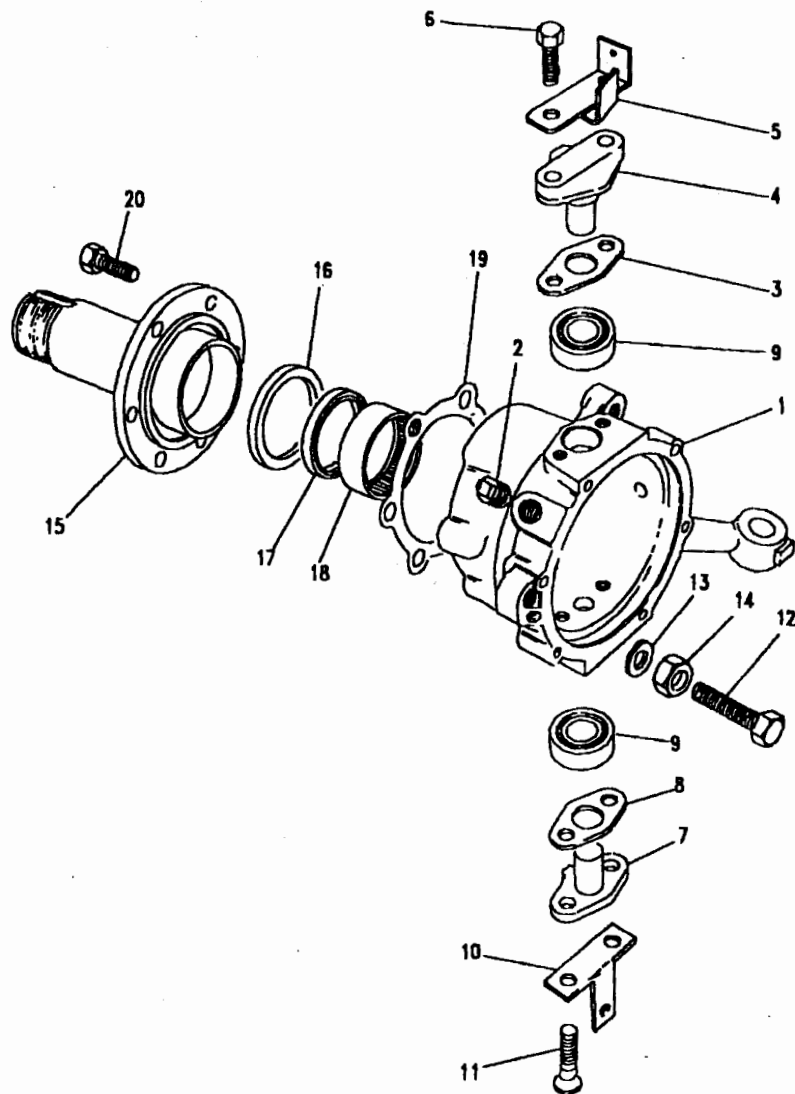
Ill. Part No.	Description	Qty	Remarks
1	FTC3148	1	
	FTC3149	1	
2	STC3051	2	Note(1)
3	STC3049	1	
	STC3050	1	
4	RTC5841	2	
5	STC579	2	NLA use TDL100240
	TDL100240	2	
6	FTC5366	2	NLA use FRC7065
	FRC7065	2	
7	FTC3276	2	
8	FTC3646	2	
9	FTC3456	12	Note(2)
	TYG100590	12	Note(3)
10	FTC3454	2	Note(2)
	TYG100580	2	Note(3)
11	FRC8530	14	
12	FTC3401	2	
13	571755	2	
14	FS106125L	12	

Note(1) The splines on the outside of the replacement CV joint do not affect its use for service.

Note(2) Up to axle 65L02207A & 66L00506A

Note(3) From axle 65L02208A & 66L00507A





Model DEFENDER XD ALL VARIANTS
Page YDEXCK2A

AXLES - FRONT AXLE - SWIVEL PIN HOUSING

III. Part No.	Description	Qty	Remarks
1	FTC5296	1)RH Stg
	FTC5297	1)
	FTC5298	1)LH Stg
	FTC5299	1)
2	3292	1	
3	FRC2883	2	
	FRC2884	2	
	FRC2885	2	
	FRC2886	2	
4	FTC2882	2	
5	90576928	2	
6	BX110071M	4	
7	FRC2894	2	
8	FTC3647	2	
9	606666	4	
10	FRC3725	2	
11	BH108061M	4	
12	SH112505	2	
13	WB112081L	2	
14	NT112041L	2	
15	FTC3154	2	Note(1)
16	FTC56	2	
17	FTC5268	2	
18	FTC861	2	
19	FTC3648	2	
20	SX110257M	12	

Lubrication - replacement grease cartridge - one per swivel
STC3435 Grease one shot cartridge 2

Note(1) For stub axle components see page 103 - 104



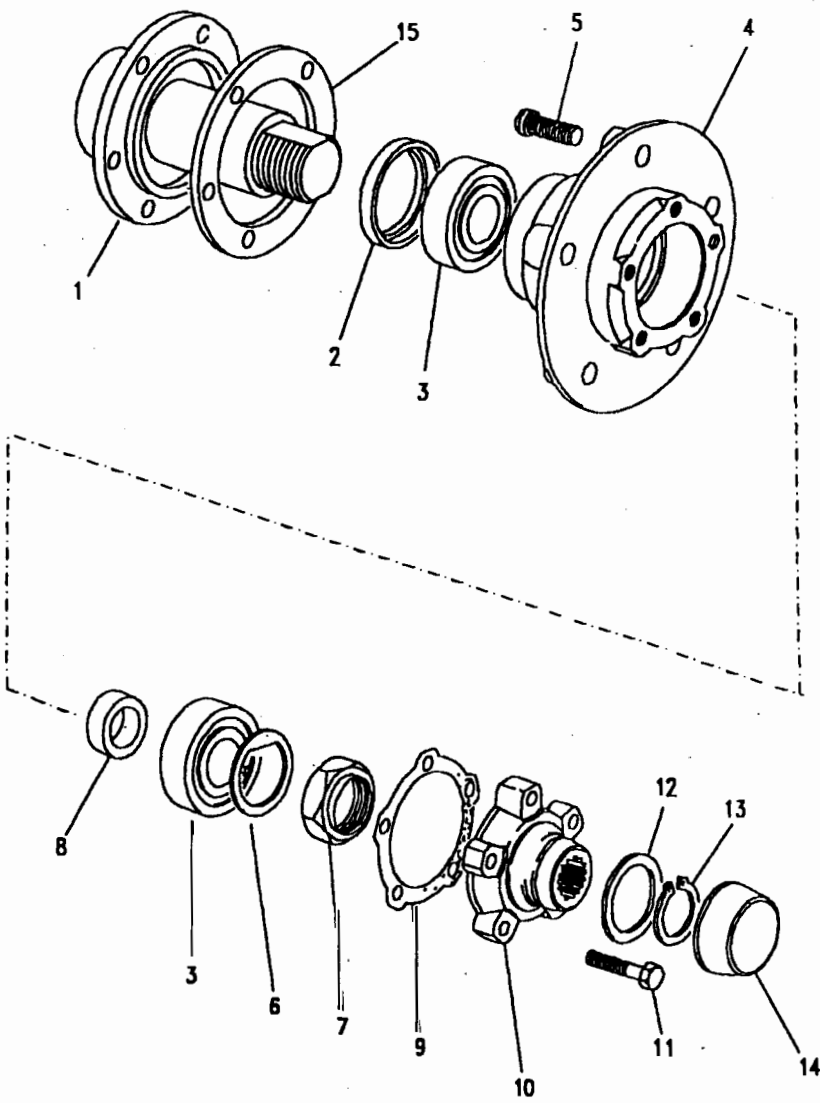


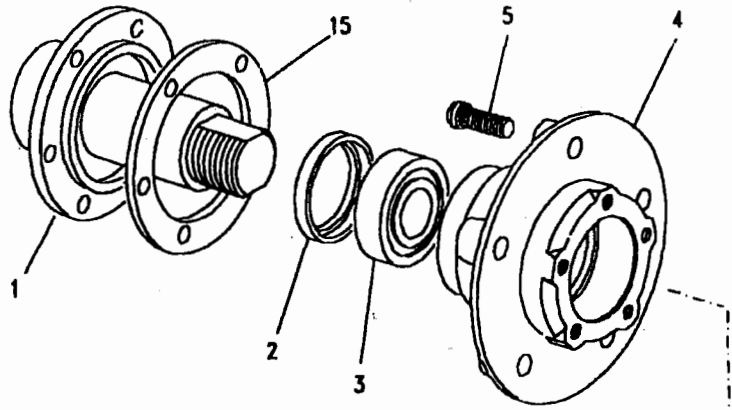
Model DEFENDER XD ALL VARIANTS
Page YDEXCM2A

AXLES - FRONT AXLE - HUBS

III. Part No.	Description	Qty	Remarks
1	Axle stub	2	Note(1)
2	FTC4785 Seal hub inner	2	
3	STC4382 Bearing hub	4	
4	FTC942 Hub assembly	2	
5	FRC5926 Stud	10	
6	FTC5241 Washer stub axle	2	
7	RFD100000 Nut retaining hub	2	
8	TOF100060 Spacer 14.9mm white	2)Selective
	TOF100050 Spacer 15.0mm black	2	
	TOF100040 Spacer 15.1mm green	2	
	TOF100030 Spacer 15.2mm blue	2	
	TOF100020 Spacer 15.3mm red	2	
	TOF100010 Spacer 15.4mm yellow	2	
	TOF100000 Spacer 15.5mm purple	2	
9	571752 Washer joint	2	
10	FTC859 Hub driving member	2	
11	BX110095M Bolt patchlock	10	
12	FRC6782 Shim 0.45mm	A/R	
	FRC6783 Shim 0.60mm	A/R	
	FRC6784 Shim 0.75mm	A/R	
	FRC6785 Shim 0.90mm	A/R	
	FRC6786 Shim 1.05mm	A/R	
	FRC6787 Shim 1.20mm	A/R	
	FRC6788 Shim 1.35mm	A/R	
	FRC6789 Shim 1.50mm	A/R	
	FRC6790 Shim 1.65mm	A/R	

Note(1) For stub axle see page 102



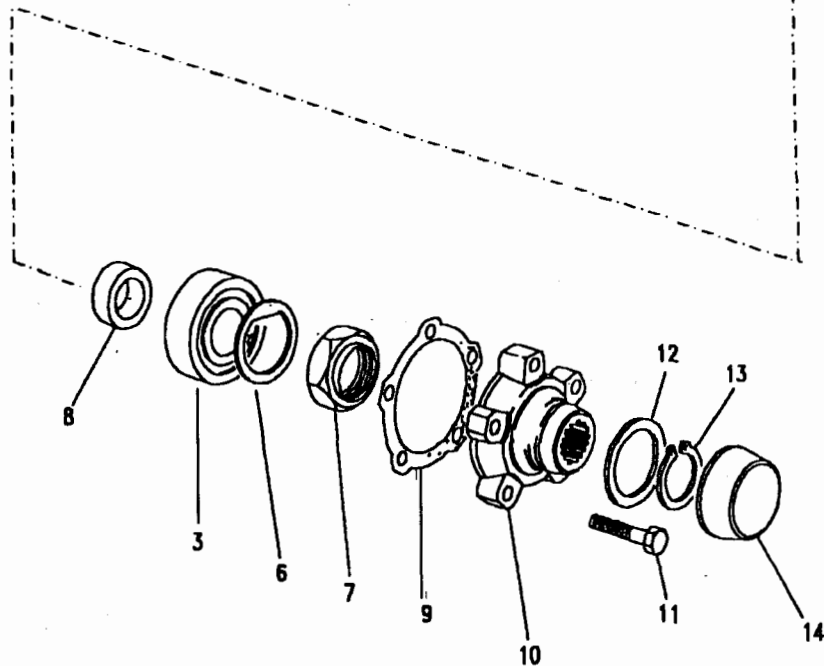


Model DEFENDER XD ALL VARIANTS
Page YDEXCM2A

AXLES - FRONT AXLE - HUBS

III. Part No.	Description	Qty	Remarks
13 549473	Circlip	2	
14 FTC943	Cap hub	2	Note(1)
FTC5414	Cap hub	2	Note(2)
15 FRC2310	Mudshield stub axle	2	

Note(1) Up to axle 65L01496A & 66L00142A
Note(2) From axle 65L01497A & 66L00143A



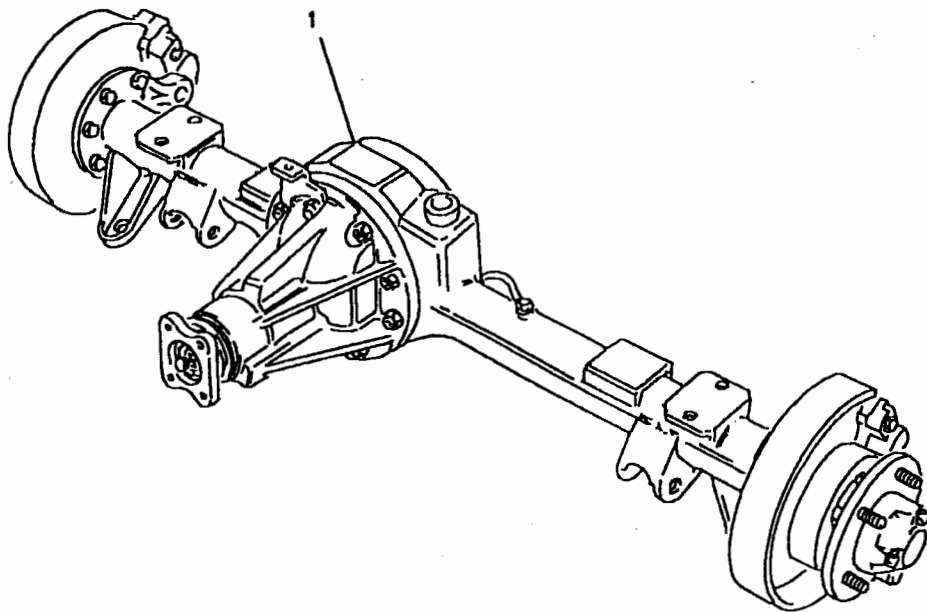


Model DEFENDER XD ALL VARIANTS
Page YDEXEA2A

AXLES - REAR AXLE - ASSEMBLY - 90

III. Part No.	Description	Qty	Remarks
1 FTC5306	Axle assembly rear	1	

Note(1) Prefix - 41S, suffix - A
Note(2) Axles supplied without oil in differential.





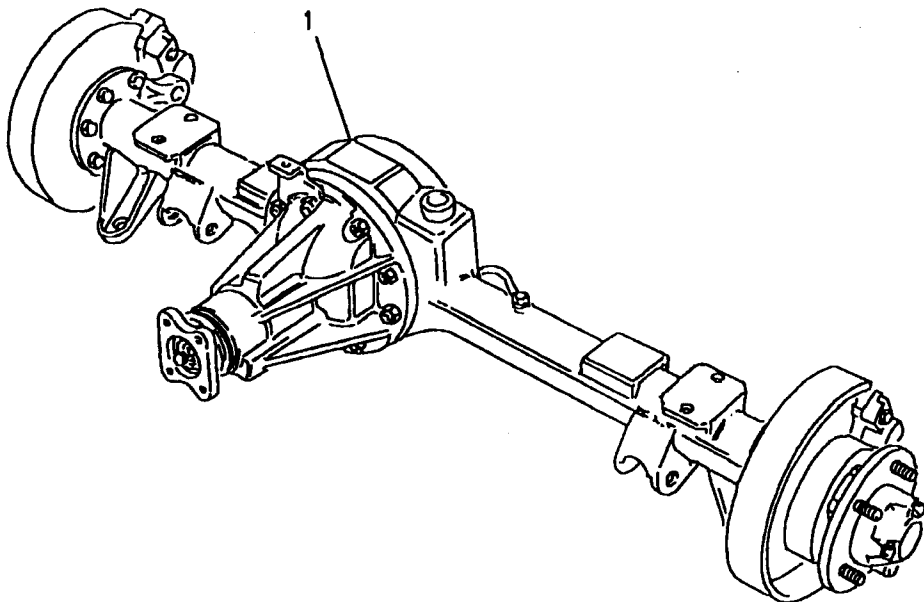
Model DEFENDER XD ALL VARIANTS

Page YDEXEA3A

AXLES - REAR AXLE - ASSEMBLY - 110

III. Part No.	Description	Qty	Remarks
1 FTC4657	Axle assembly rear	1	

Note(1) Prefix - 48S, suffix - A
Note(2) Axles supplied without oil in differential.

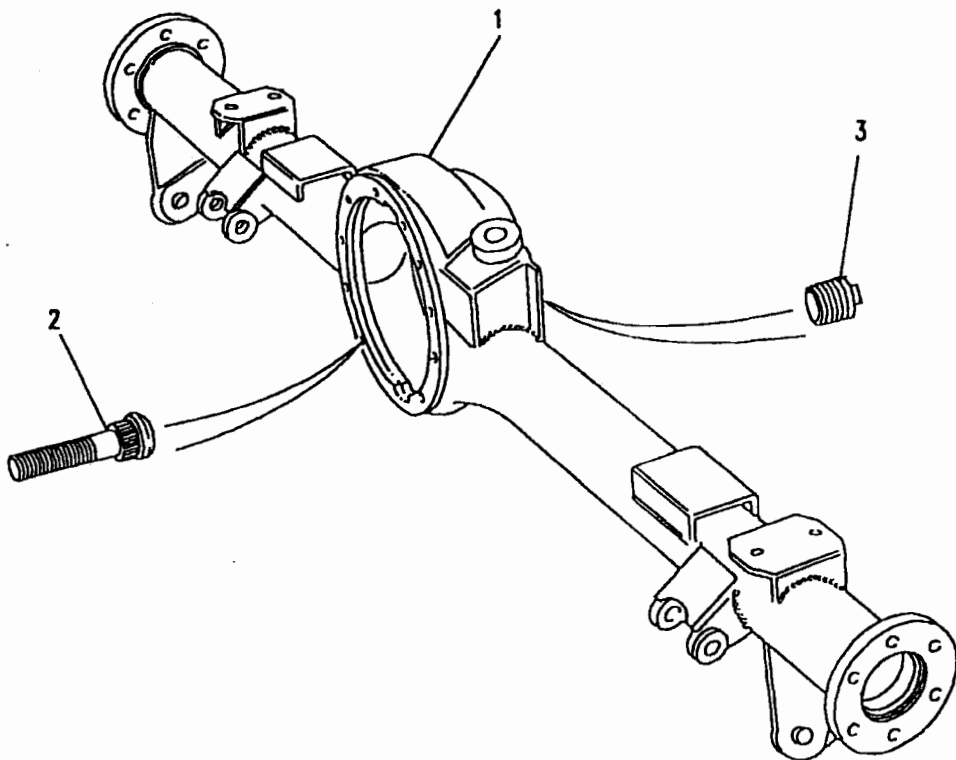




Model DEFENDER XD ALL VARIANTS
Page YDEXEC2A

AXLES - REAR AXLE - CASING - 90

III. Part No.	Description	Qty	Remarks
1 FTC5307	Axle case rear	1	
2 561196	Stud 3/8unf x 1 3/4	10	
3 608246	Plug oil level/drain	2	

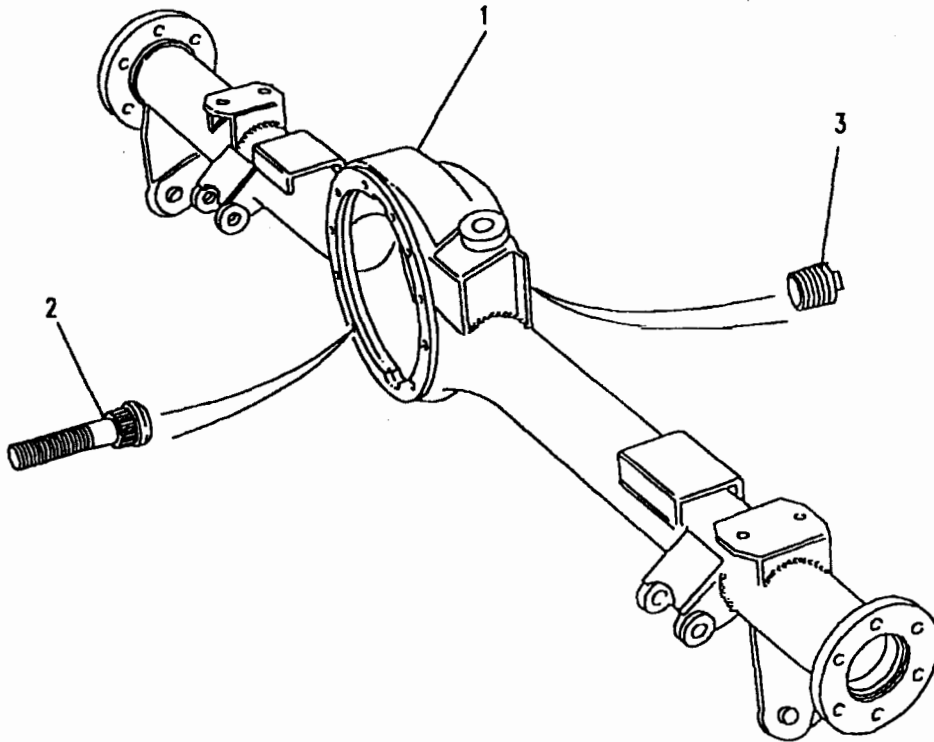




Model DEFENDER XD ALL VARIANTS
Page YDEXEC3A

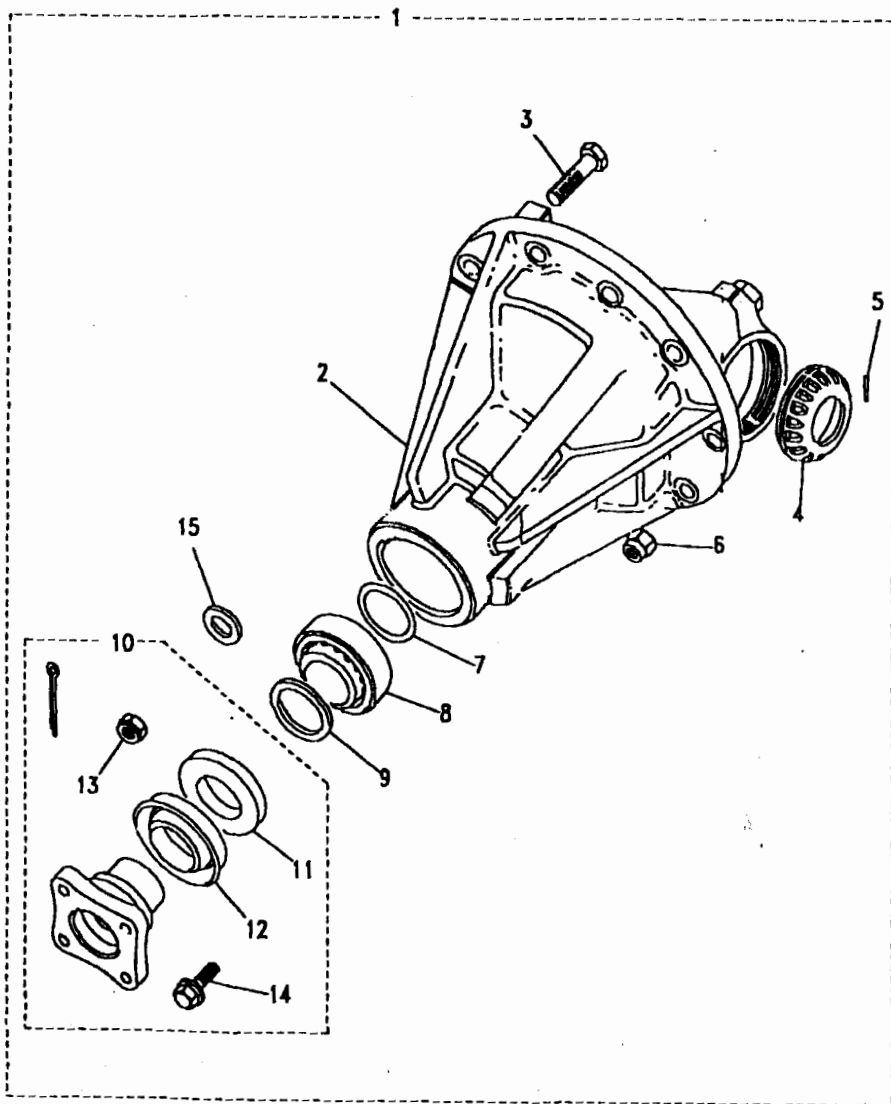
AXLES - REAR AXLE - CASING - 110

III. Part No.	Description	Qty	Remarks
1 FTC4659	Axle case rear	1	
2 561196	Stud 3/8unf x 1 3/4	10	
3 608246	Plug oil level/drain	2	

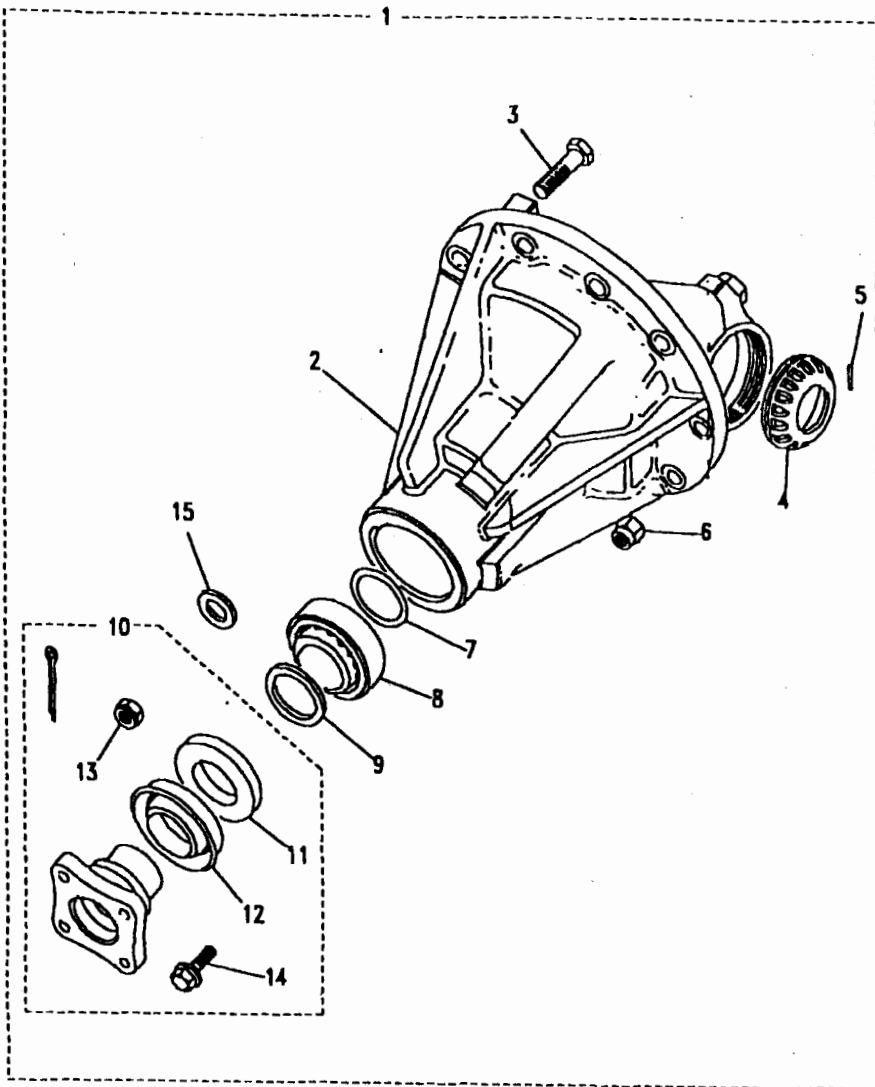


Model DEFENDER XD ALL VARIANTS
Page YDEXEE1A

AXLES - REAR AXLE - DIFFERENTIAL ASSEMBLY - 90



III. Part No.	Description	Qty	Remarks
1	FTC3272	1	Differential assembly
	FTC3272E	1	Differential assembly Exchange
2	FRC4112	1	Housing pinion
3	BH112101L	4	Bolt
4	FTC4210	2	Lock ring
5	576159	2	Pin spring
6	NY606041L	10	Nut
7	FTC3869	A/R	Shim 2.155mm
	FTC3871	A/R	Shim 2.105mm
	FTC3873	A/R	Shim 2.055mm
	FTC3875	A/R	Shim 2.005mm
	FTC3877	A/R	Shim 1.955mm
	FTC3879	A/R	Shim 1.905mm
	FTC3881	A/R	Shim 1.855mm
	FTC3883	A/R	Shim 1.805mm
	FTC3885	A/R	Shim 1.755mm
	FTC3887	A/R	Shim 1.705mm
	FTC3889	A/R	Shim 1.655mm
	FTC3891	A/R	Shim 1.605mm
	FTC3893	A/R	Shim 1.555mm
	FTC3895	A/R	Shim 1.505mm
8	539707	1	Bearing pinion
9	539745	1	Spacer



Model DEFENDER XD ALL VARIANTS
Page YDEXEE1A

AXLES - REAR AXLE - DIFFERENTIAL ASSEMBLY - 90

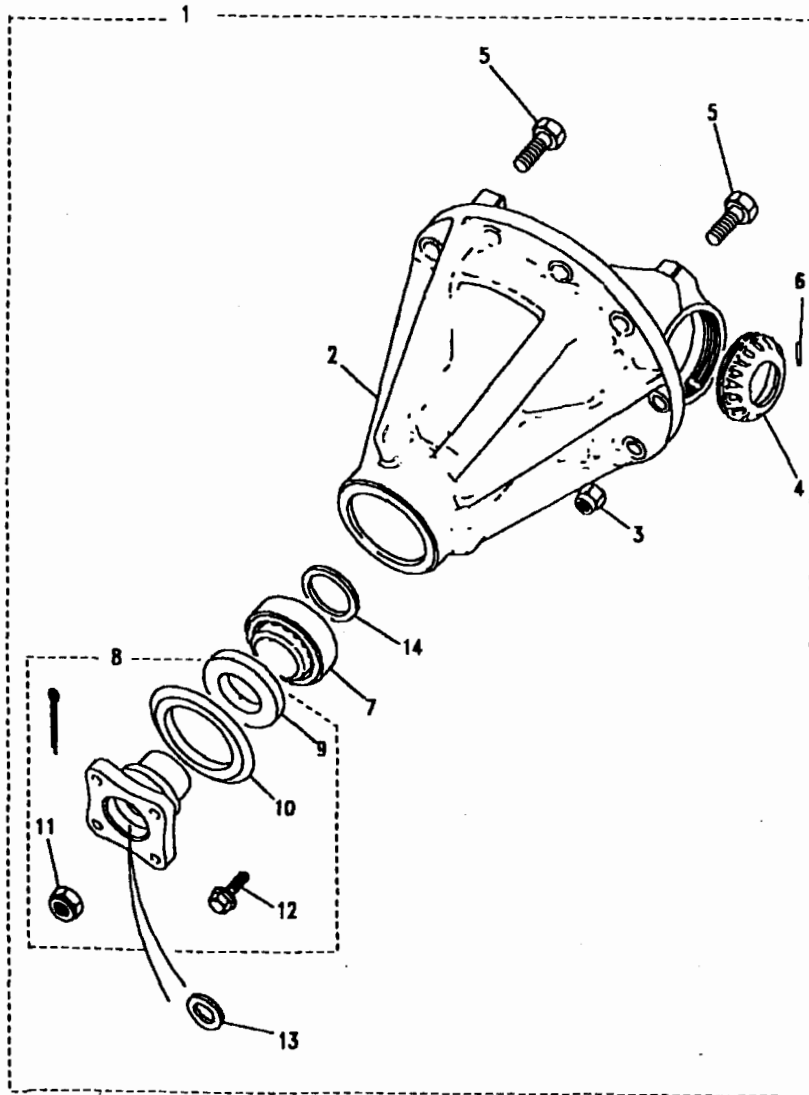
III. Part No.	Description	Qty	Remarks
10 STC3722	Kit flange	1	
11 FTC5258	Oil seal pinion	1	Note(1)
12 FTC5317	Shield mud	1	
13 NY116041L	Nut nyloc M16	1	Note(2)
14 FS112301P	Bolt	1	Note(3)
15 90513454	Washer plain	1	Note(2)
FTC5413	Washer plain	1	Note(3)

Note(1) Land Rover recommend that when replacing the pinion oil seal a full flange kit is fitted.

Note(2) Up to axle 41S03272A

Note(3) From axle 41S03273A





Model DEFENDER XD ALL VARIANTS
Page YDEXEE2A

AXLES - REAR AXLE - DIFFERENTIAL ASSEMBLY - 110

III. Part No.	Description	Qty	Remarks
1	FTC3483	1	Differential assembly
2	FTC3511	1	Housing pinion
3	NY606041L	10	Nyloc nut
4	FRC5204	2	Ring locking
5	BH116111	4	Bolt fixing
6	576159	2	Pin spring
7	STC2808	1	Bearing pinion
8	STC3124	1	Kit flange & mudshield
9	FTC4851	1	Oil seal
10		1	Mudshield
11	NY116041L	1	Nut nyloc M16
12	FS112301P	1	Bolt
13	90513454	1	Washer plain
	FTC5413	1	Washer plain
Spacers			
14	FTC3523	1	Spacer 24.605mm
	FTC3525	1	Spacer 24.565mm
	FTC3527	1	Spacer 24.525mm
	FTC3529	1	Spacer 24.485mm
	FTC3531	1	Spacer 24.445mm
	FTC3533	1	Spacer 24.405mm
	FTC3535	1	Spacer 24.365mm
	FTC3537	1	Spacer 24.325mm
	FTC3539	1	Spacer 24.285mm
	FTC3541	1	Spacer 24.245mm

Note(1) Land Rover recommend that when replacing the pinion oil seal a full flange kit is fitted.
 Note(2) Up to axle 48S01898A
 Note(3) From axle 48S01899A

Model DEFENDER XD ALL VARIANTS
 Page YDEXEG1A

AXLES - REAR AXLE - DIFFERENTIAL GEARS - 90

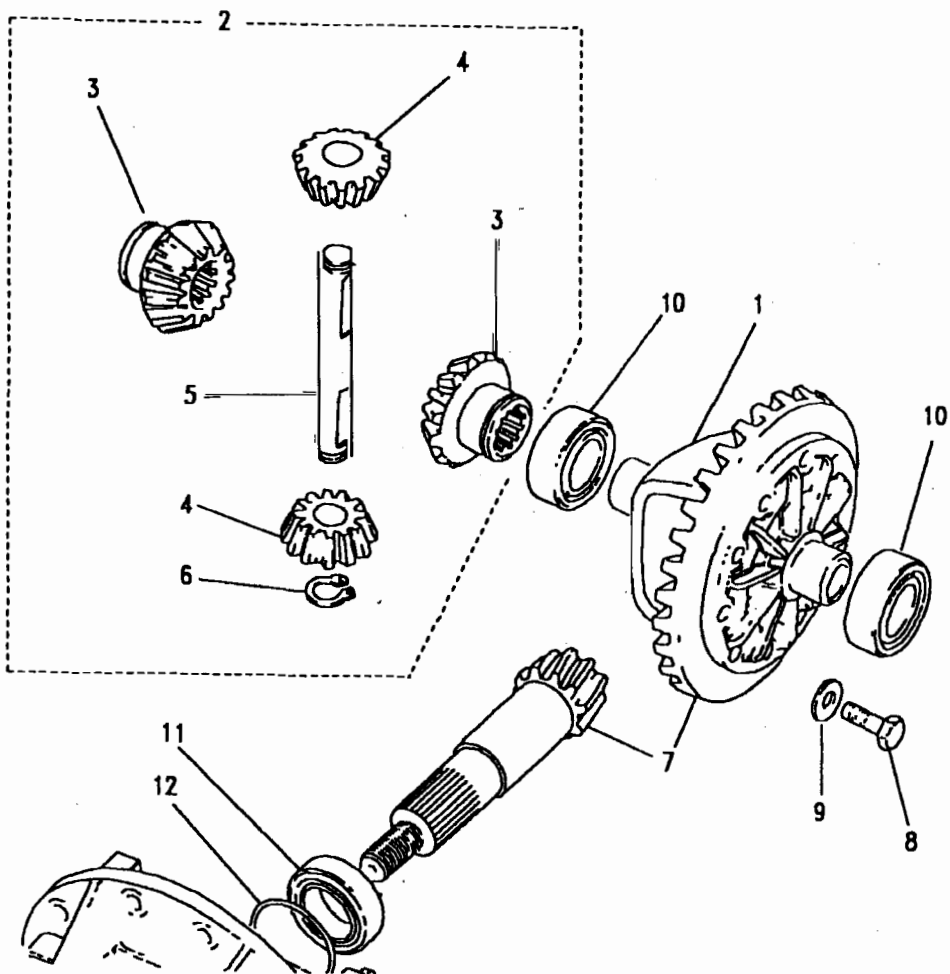
Ill. Part No.	Description	Qty	Remarks
1	FTC3269	1	Case differential
2	STC1846	1	Kit diff wheel and pinion
3	FTC3267	2	Wheel differential
4	FTC3268	2	Pinion differential
5	599945	1	Cross shaft
6	CCN110L	2	Circlip
7	FTC3620	1	Crownwheel and pinion
	TBH100040	1	Crownwheel and pinion
8	FTC3586	10	Bolt 3/8 UNF
9	593693	10	Washer plain
10	RTC2726	2	Bearing differential
11	539706	1	Bearing pinion

Shims

12	FTC3853	Shim 1.548mm	A/R
	FTC3855	Shim 1.498mm	A/R
	FTC3857	Shim 1.448mm	A/R
	FTC3859	Shim 1.398mm	A/R
	FTC3861	Shim 1.348mm	A/R
	FTC3863	Shim 1.298mm	A/R
	FTC3865	Shim 1.248mm	A/R
	FTC3867	Shim 1.198mm	A/R

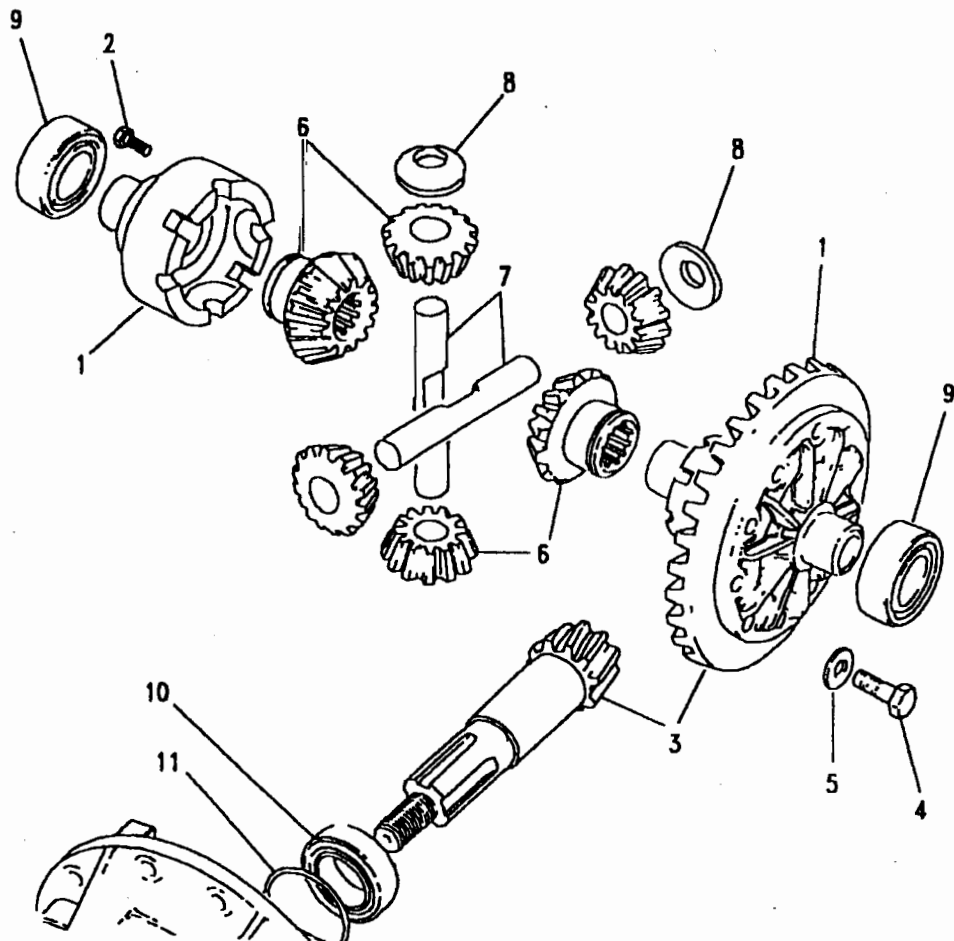
Note(1)
 Note(2)

Up to axle 41S03272A - nut fixing flange.
 From axle 41S03273A - bolt fixing flange.



Model DEFENDER XD ALL VARIANTS
Page YDEXEG2A

AXLES - REAR AXLE - DIFFERENTIAL GEARS - 110

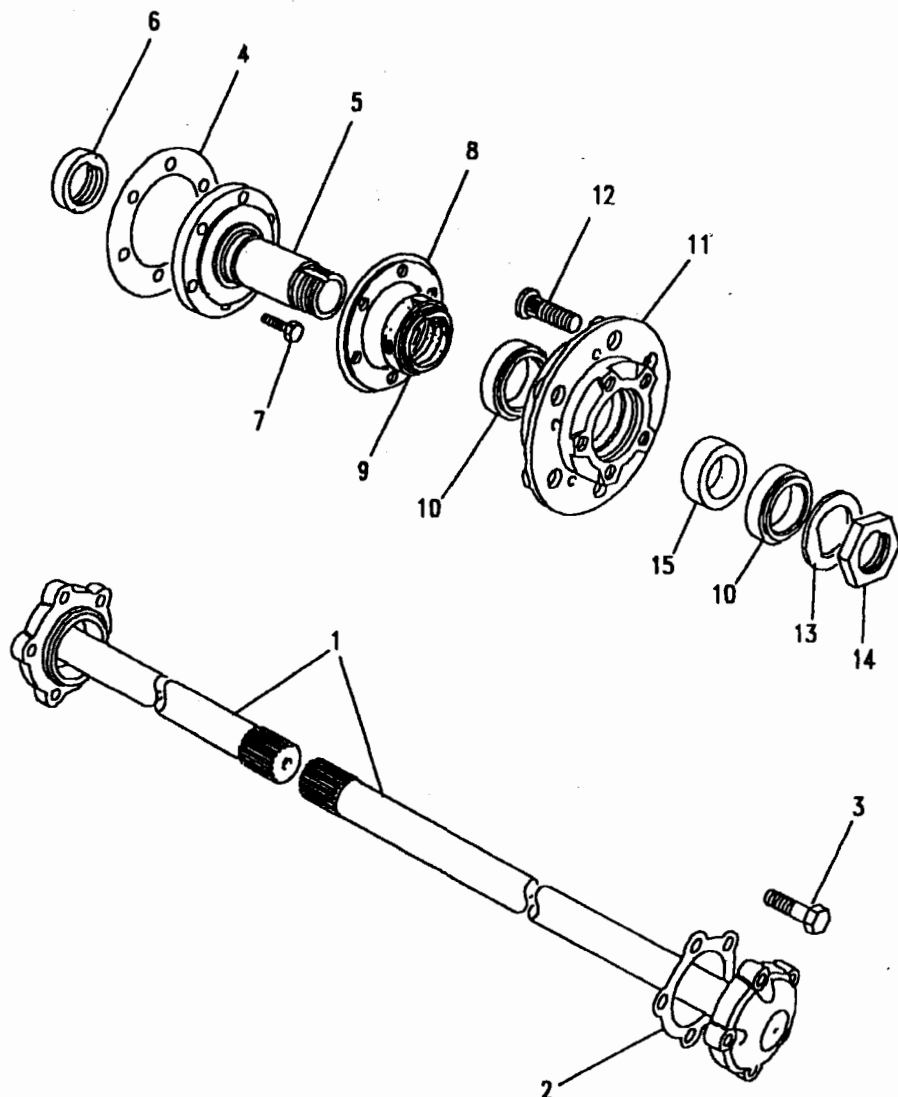


III. Part No.	Description	Qty	Remarks
1	FTC3485 Case differential	1	
2	BX108130 Bolt M8 x 65	8	
3	STC2810 Crownwheel and pinion	1	Note(1)
	STC3894 Crownwheel and pinion	1	Note(2)
4	FTC3586 Bolt flanged patch	10	
5	593693 Washer	10	
6	STC1845 Kit gear differential	1	
7	FTC3429 Cross pin diff	2	
8	FRC9979 Thrust washer	4	
9	RTC3095 Bearing differential	2	
10	STC1156 Bearing pinion	1	
Shims			
11	FTC3513 Shim 2.2525mm	A/R	
	FTC3515 Shim 2.2025mm	A/R	
	FTC3517 Shim 2.1525mm	A/R	
	FTC3519 Shim 2.0775mm	A/R	
	FTC3521 Shim 2.0525mm	A/R	

Note(1) Up to axle 48S01898A - nut fixing flange.
 Note(2) From axle 48S01899A - bolt fixing flange.

Model DEFENDER XD ALL VARIANTS
 Page YDEXE13A

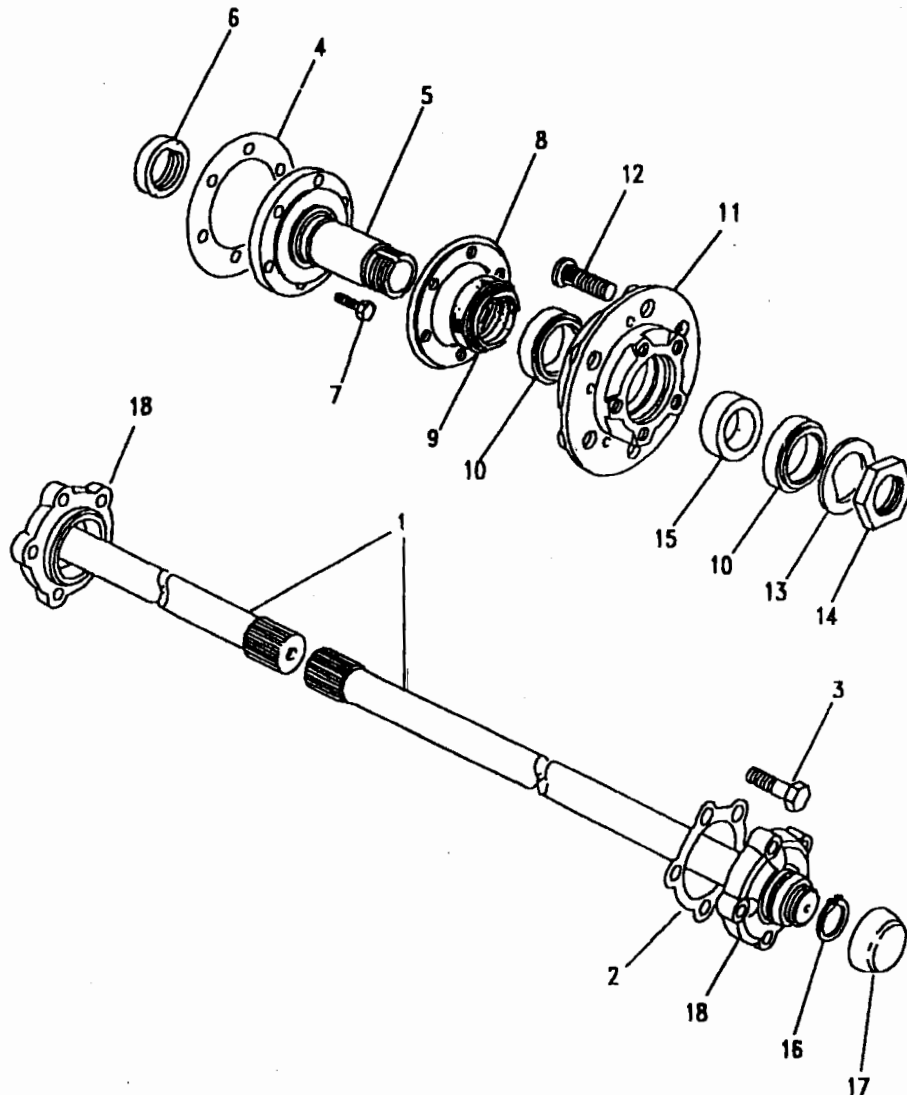
AXLES - REAR AXLE - DRIVE SHAFTS AND HUBS - 90



III. Part No.	Description	Qty	Remarks
1	FTC3270	1	Shaft drive rear RH
	FTC3271	1	Shaft drive rear LH
2	571752	2	Joint washer
3	BX110095M	10	Bolt patchloc M10 x 45
4	FTC3650	2	Joint washer
5	FTC4998	2	Axle stub
6	FTC3145	2	Seal oil
	FTC5268	2	Seal oil
7	SX110257M	12	Screw M10
8	FRC2310	2	Plate locking
9	FTC4785	2	Seal hub
10	STC4382	4	Bearing hub
11	FTC942	2	Hub assembly
12	FRC5926	10	Stud
13	FTC5241	2	Washer stub axle
14	RFD100000	2	Nut retaining hub
15	TOF100060	2	Spacer 14.9mm white
	TOF100050	2	Spacer 15.0mm black
	TOF100040	2	Spacer 15.1mm green
	TOF100030	2	Spacer 15.2mm blue
	TOF100020	2	Spacer 15.3mm red
	TOF100010	2	Spacer 15.4mm yellow
	TOF100000	2	Spacer 15.5mm purple

NLA use FTC5268

) Selective



Model DEFENDER XD ALL VARIANTS
 Page YDEXE14A

AXLES - REAR AXLE - DRIVE SHAFTS AND HUBS - 110

Ill. Part No.	Description	Qty	Remarks
1	FTC4996	1	Shaft drive rear RH
	FTC4997	1	Shaft drive rear LH
2	571752	2	Washer joint
3	BX110095M	10	Bolt patchloc M10 x 45
4	FTC3648	2	Washer joint
5	FTC4998	2	Axle stub
6	FTC3145	2	Seal oil
	FTC5268	2	Seal oil
			NLA use FTC5268
7	SX110257M	12	Bolt M10
8	FRC2310	2	Plate locking
9	FTC4785	2	Seal hub
10	STC4382	4	Bearing hub
11	FTC942	2	Hub assy
12	FRC5926	10	Stud
13	FTC5241	2	Washer
14	RFD100000	2	Nut retaining hub
15	TOF100060	2	Spacer 14.9mm white
	TOF100050	2	Spacer 15.0mm black
	TOF100040	2	Spacer 15.1mm green
	TOF100030	2	Spacer 15.2mm blue
	TOF100020	2	Spacer 15.3mm red
	TOF100010	2	Spacer 15.4mm yellow
	TOF100000	2	Spacer 15.5mm purple
16	549473	2	Circlip
17	FTC943	2	Cap hub
	FTC5414	2	Cap hub
18	FTC859	2	Hub

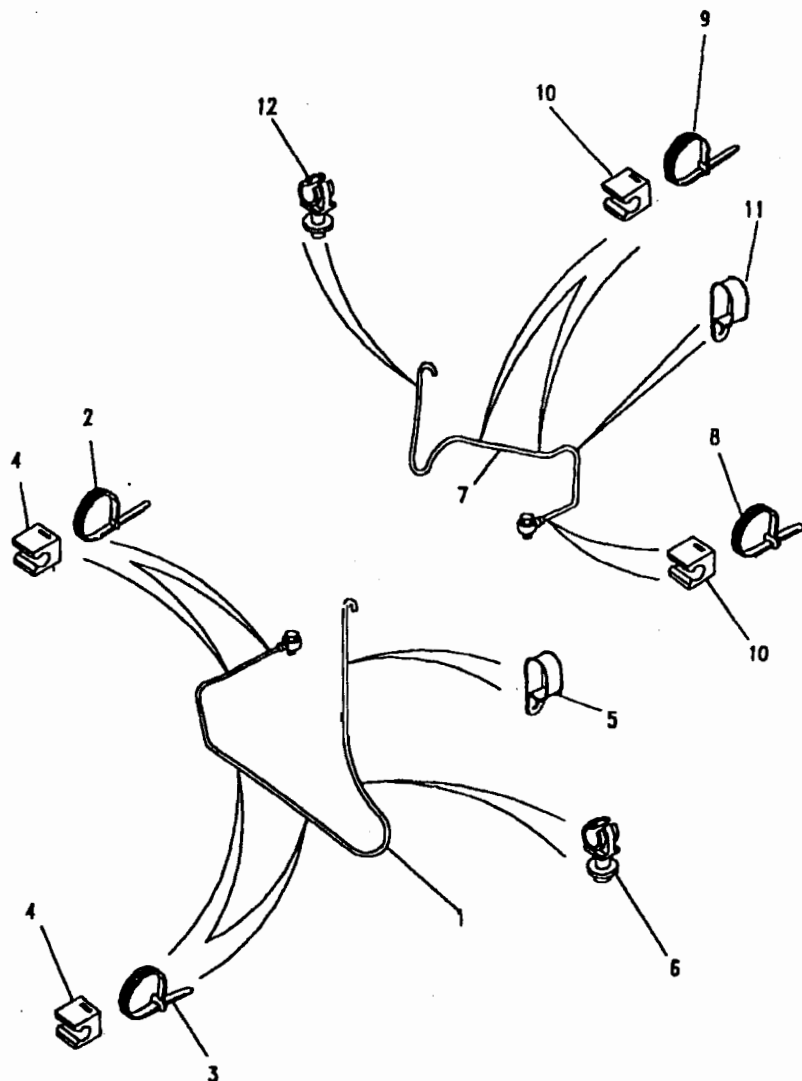
Note(1) Up to axle 48S01391A
 Note(2) From axle 48S01392A



Model DEFENDER XD ALL VARIANTS
Pag YDEXGA2A

AXLES - BREATHERS - REMOTE - 90

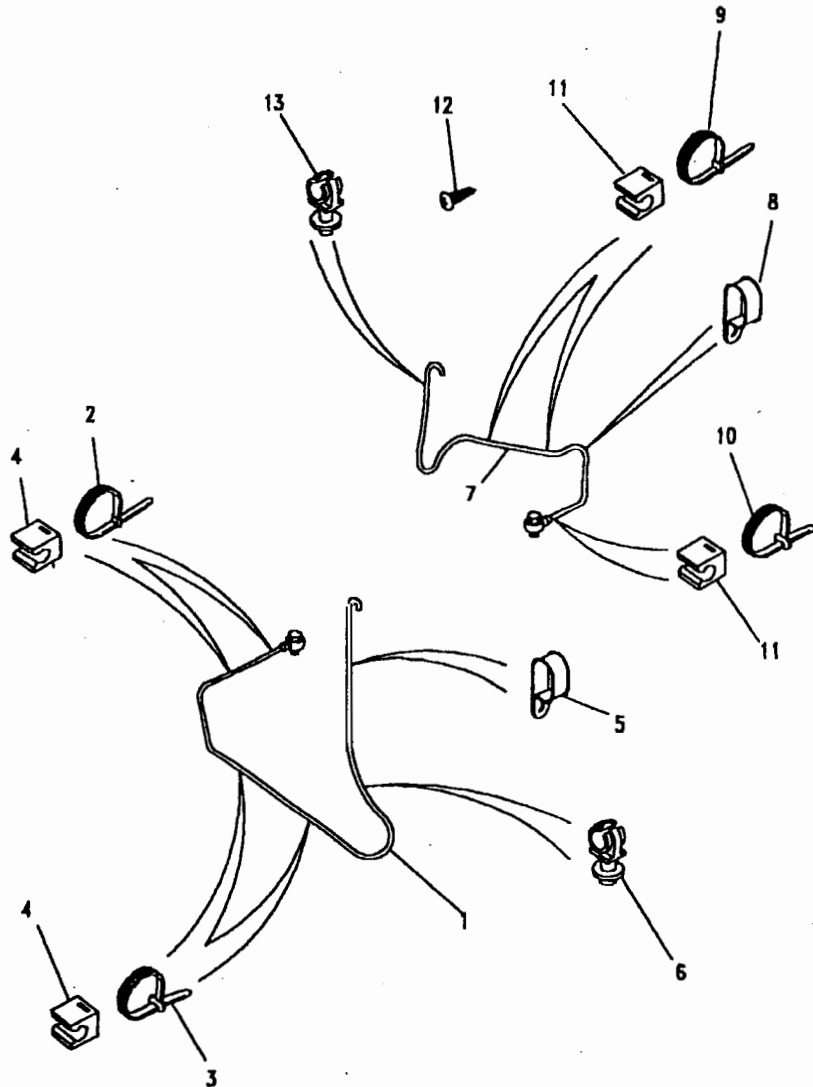
III. Part No.	Description	Qty	Remarks
Front axle			
1	FTC5395	1	Breather tube
	STC3856	1	Washers sealing pair
2	594594	2	Cable tie 4.6 x 385mm
3	ESR3301	2	Cable strap 13.0 x 540mm
4	NRC9246	4	Clip
5	622324	1	P clip
6	79123	1	Clip single
Rear axle			
7	FTC5396	1	Breather remote rear
	STC3856	1	Washers sealing pair
8	594594	1	Cable tie 4.6 x 385mm
9	568680	2	Cable tie 4.8 x 270mm
10	NRC9246	3	Clip
11	622324	1	P clip
12	79123	2	Clip single



Model DEFENDER XD ALL VARIANTS
Page YDEXGA3A

AXLES - BREATHERS - REMOTE - 110

III. Part No.	Description	Qty	Remarks
Front axle			
1	FTC5395	1	Breather tube
	STC3856	1	Washers sealing pair
2	594594	2	Cable tie 4.6 x 385mm
3	ESR3301	2	Cable strap 13.0 x 540mm
4	NRC9246	4	Clip pipe
5	622324	1	P clip
6	79123	1	Clip single 6mm
Rear axle			
7	FTC5394	1	Breather remote rear
	STC3856	1	Washers sealing pair
8	ATU1017L	1	P clip
9	568680	2	Cable tie 4.8 x 270mm
10	594594	2	Cable tie 4.6 x 385mm
11	NRC9246	3	Clip pipe
12	79004	1	Screw posidrive
13	79123	3	Clip single 6mm

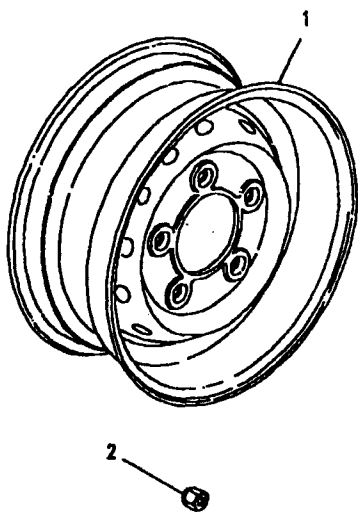


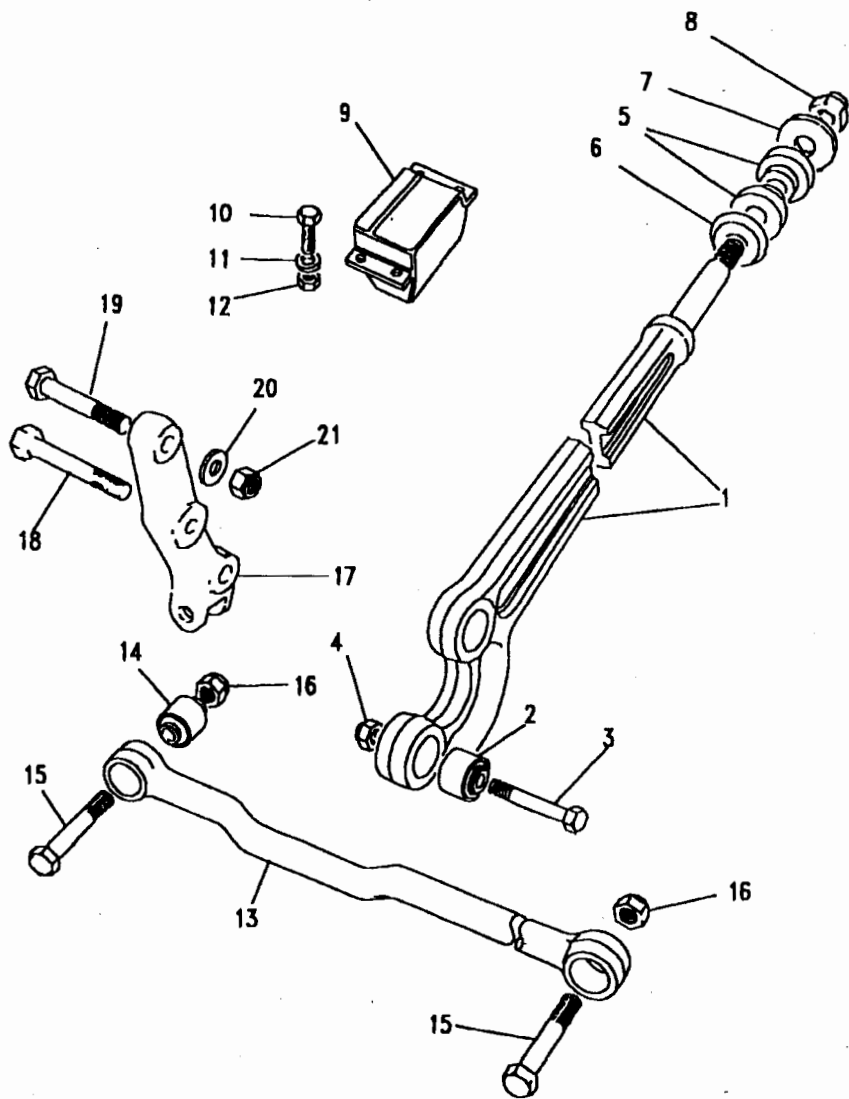
Model DEFENDER XD ALL VARIANTS
Page YDEXGE1A

AXLES - ROAD WHEELS

III. Part No.	Description	Qty	Remarks
1 ANR4583PM	Wheel road	5	
2 NTC7396	Nut road wheel M16	20	

Note(1) For Defender XD, fit only Good-Year G90 7.50x16 tubeless tyres, NATO ref. 6MT14 2610-99-131-1549
 Note(2) Spare wheel valve extension - NSP - MOD direct supply only.





Model DEFENDER XD ALL VARIANTS
Page YDEXIA1A

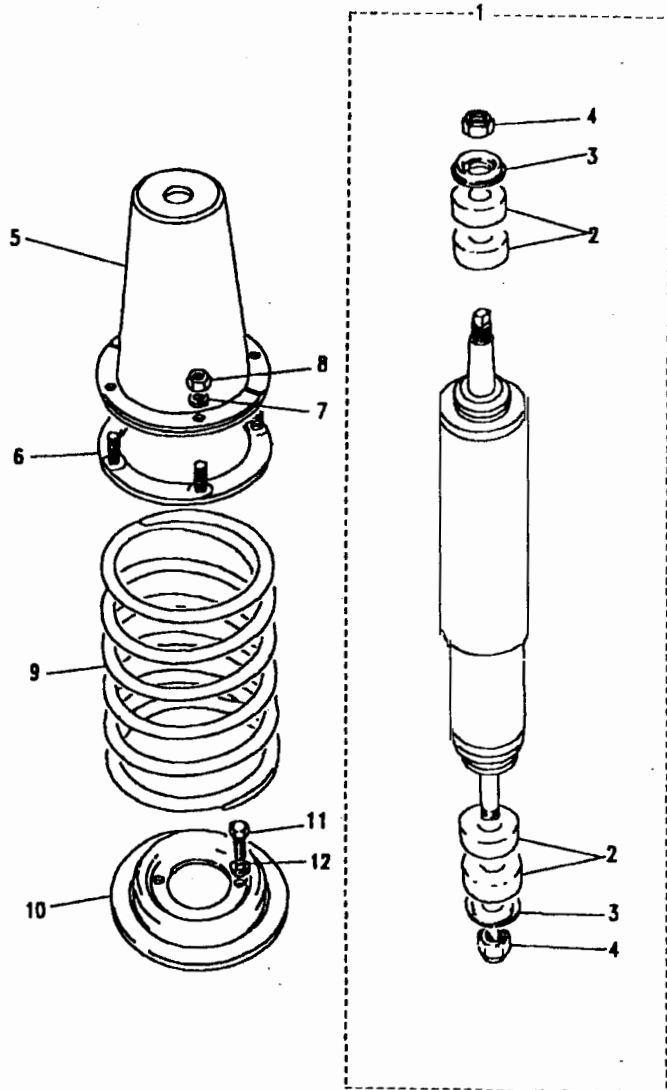
SUSPENSION - FRONT - RADIUS ARM AND LINKS

III. Part No.	Description	Qty	Remarks
1	NTC7331	2	Radius arm assembly
2	NTC6781	4	Bush
3	BH116207	4	Bolt
4	NV116047	4	Nut M16
5	ANR6971	4	Bush
6	NRC4515	2	Washer dished
7	RDB100070	2	Washer dished
8	NY120041L	2	Nut M20 nyloc
9	ANR4188	2	Bump stop
10	FS108201	4	Screw
11	WA108051L	4	Washer plain
12	NY108041L	4	Nut
13	NRC9729	1	Rod panhard
	RBI100000	1	Rod panhard
14	ANR3410	2	Bush rubber
15	BH114167	2	Bolt M14x80
16	NV114047	2	Nut M14
17	NTC9462	1	Arm mounting RH
	NTC9461	1	Arm mounting LH
18	253952	1	Bolt 1/2" UNF x 6 1/2"
19	BH608461	1	Bolt 1/2" UNF x 5 3/4"
20	WC112081L	2	Washer plain
21	NY608041L	2	Nut 1/2" UNF

Note(1) RH Stg - up to VA117813
 Note(2) LH Stg - up to VA117813
 Note(3) All variants - from VA117814

Model DEFENDER XD ALL VARIANTS
 Page YDEXIC1A

SUSPENSION - FRONT - SHOCK ABSORBER & ROAD SPRING - 90



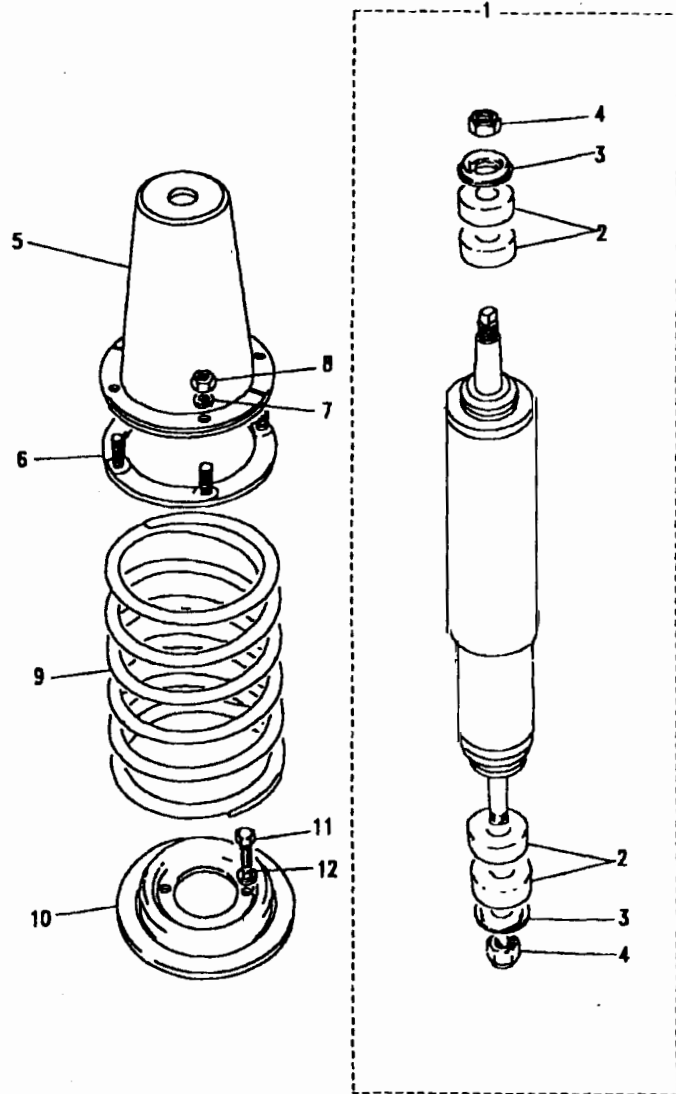
III. Part No.	Description	Qty	Remarks
1	STC3088	2	Shock absorber kit
2	RNF100090	8	Cushion rubber
3	ANR1895	4	Washer retaining
4	NTC4571	4	Nut nyloc M12
5	ANR4581	2	Bracket shock absorber
6	572087	2	Ring securing
7	WM600051L	8	Washer spring 5/16"
8	NH605041L	8	Nut 5/16 UNF
9	NRC9446	2	Spring road front
10	ANR3578	2	Seat
11	SH110251L	4	Screw M10x25
12	WM110001L	4	Washer spring 10mm



Model DEFENDER XD ALL VARIANTS
Page YDEXIC2A

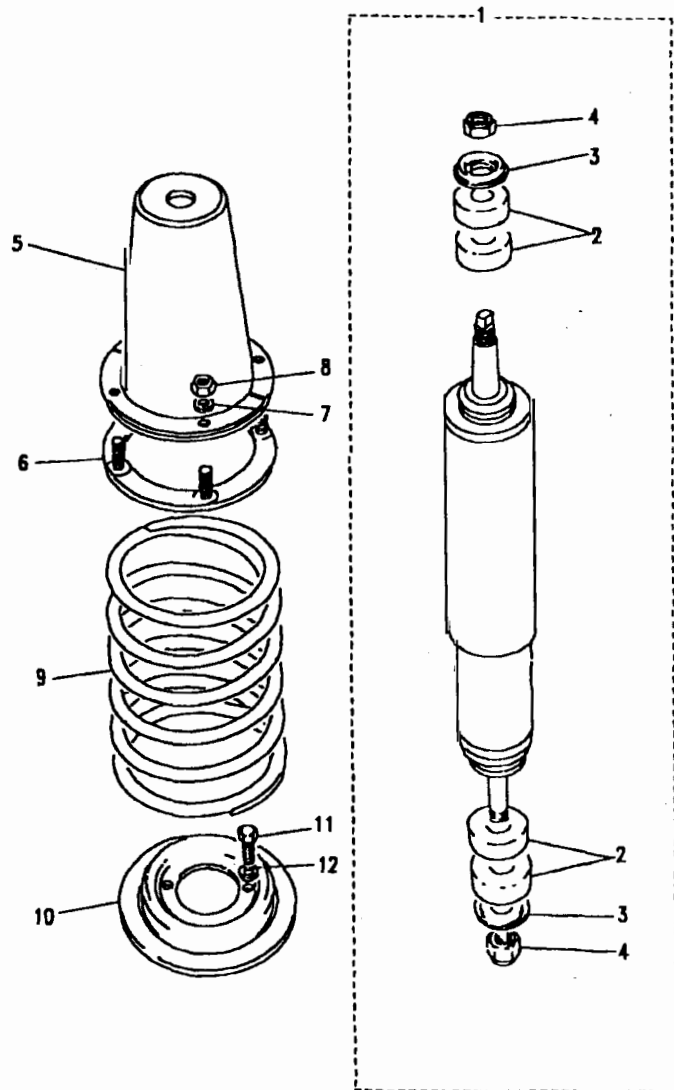
SUSPENSION - FRONT - SHOCK ABSORBER & ROAD SPRING - 110

III. Part No.	Description	Qty	Remarks
1	STC3088	2	Shock absorber kit
2	RNF100090	8	Cushion rubber
3	ANR1895	4	Washer retaining
4	NTC4571	4	Nut nyloc M12
5	ANR4581	2	Bracket shock absorber
6	572087	2	Ring securing
7	WM600051L	8	Washer spring 5/16"
8	NH605041L	8	Nut 5/16 UNF
9	ANR3539	2	Spring road front
10	ANR3578	2	Seat
11	SH110251L	4	Screw M10x25
12	WM110001L	4	Washer spring 10mm



Model DEFENDER XD ALL VARIANTS
 Page YDEXIC3A

SUSPENSION - FRONT - SHOCK ABSORBER & ROAD SPRING -
 AMBULANCE

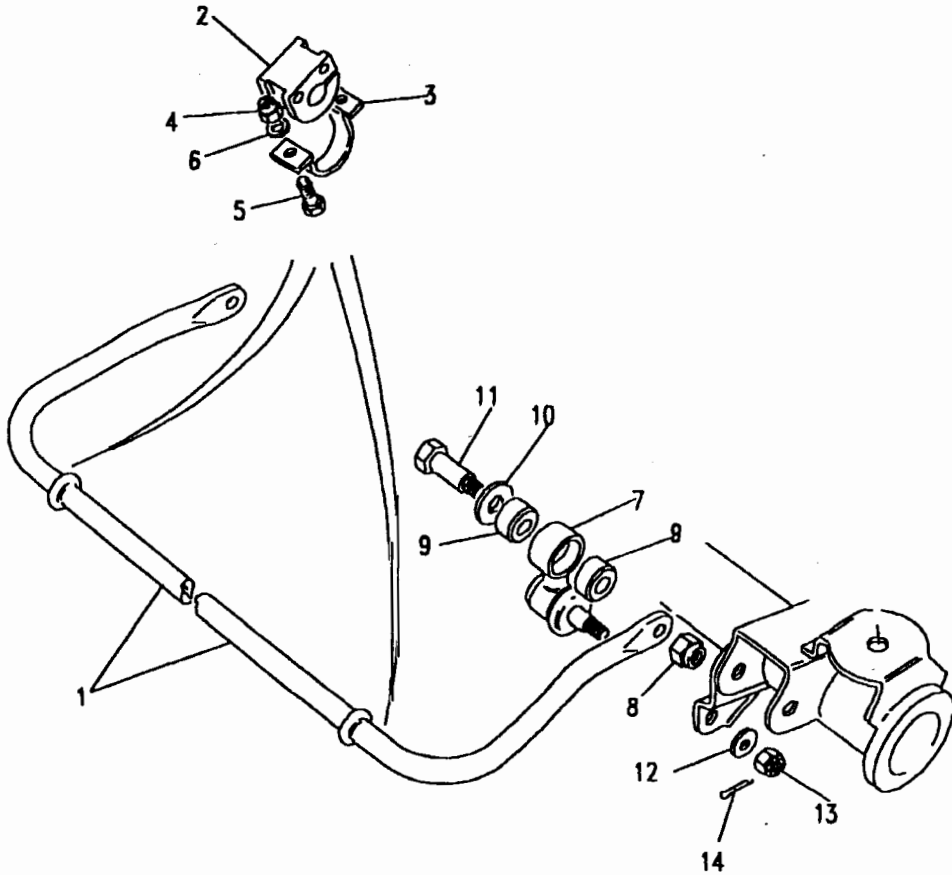


Ill. Part No.	Description	Qty	Remarks
1	STC3088 Shock absorber kit	2	
2	RNF100090 Cushion rubber	8	
3	ANR1895 Washer retaining	4	
4	NTC4571 Nut nyloc M12	4	
5	ANR4581 Bracket shock absorber	2	
6	572087 Ring securing	2	
7	WM600051L Washer spring 5/16"	8	
8	NH605041L Nut 5/16 UNF	8	
9	NRC9448 Spring road front RH	1	
	NRC9449 Spring road front LH	1	
10	ANR3578 Seat	2	
11	SH110251L Screw M10x25	4	
12	WM110001L Washer spring 10mm	4	

Model DEFENDER XD ALL VARIANTS
 Page YDEXIE1A

SUSPENSION - FRONT - ANTI-ROLL BAR - 110

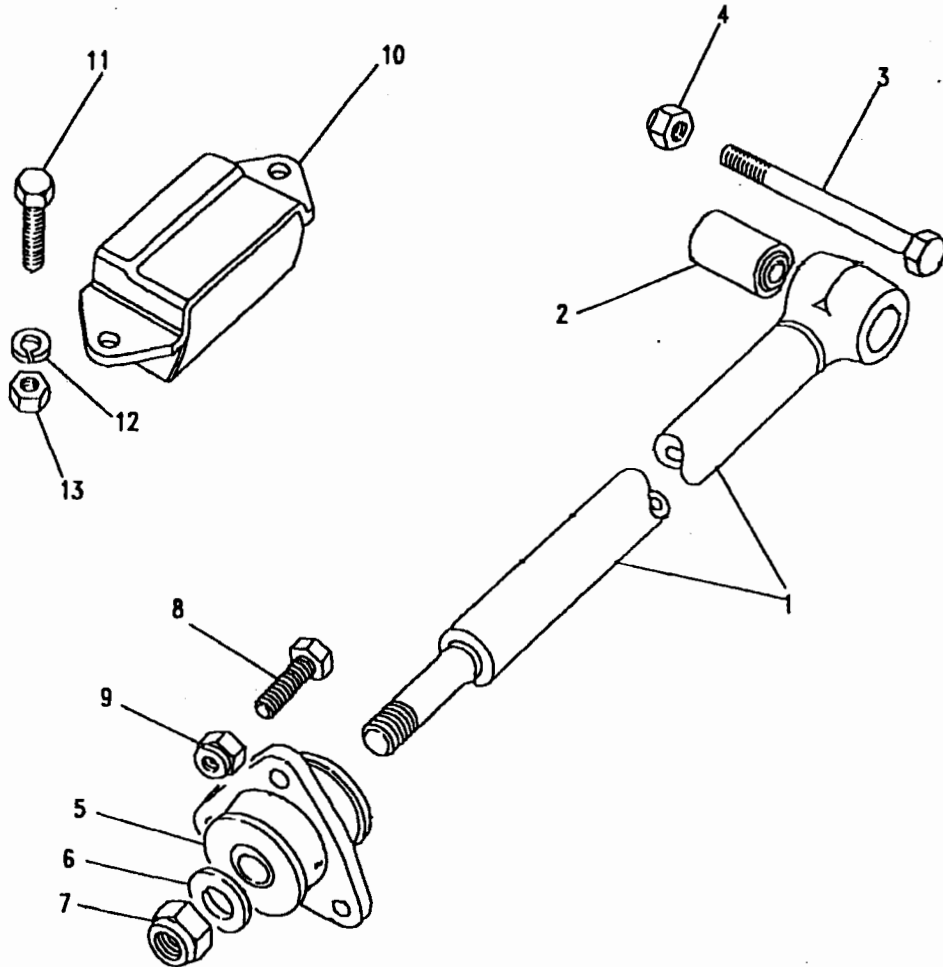
III. Part No.	Description	Qty	Remarks
1	NTC6837	1	Anti-roll bar front
2	NTC6828	2	Bush
3	NTC6776	2	Strap
4	NY110047L	4	Nut
5	SH110351L	4	Screw
6	WA110061L	4	Washer
7	NTC1888	2	Ball joint assembly
8	NV116041	2	Nut
9	552819	4	Bush
10	264024	2	Washer plain
11	NTC8202	2	Pin
12	WC112081L	2	Washer plain
13	NC112041	2	Nut
14	PS106321L	2	Pin split 3.2 x 32mm



Model DEFENDER XD ALL VARIANTS
Page YDEXKA1A

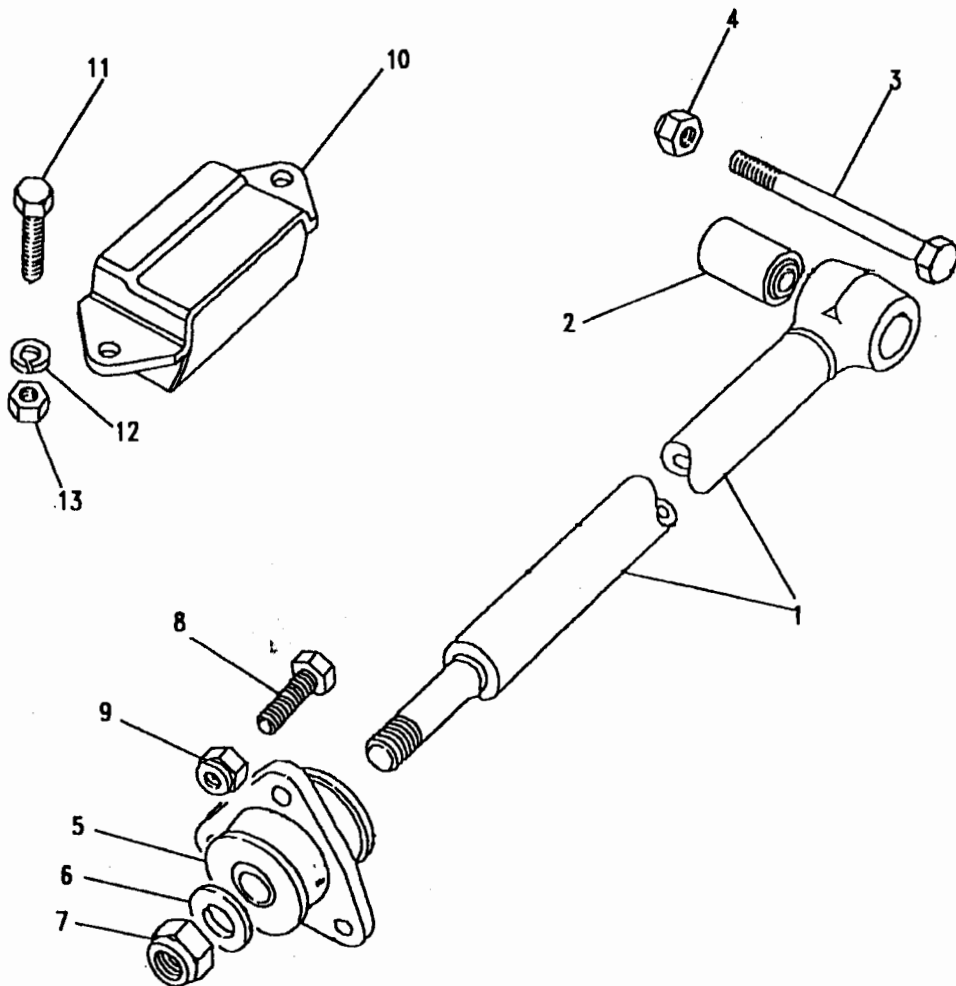
SUSPENSION - REAR - BOTTOM LINK - 90

III. Part No.	Description	Qty	Remarks
1	ANR4192	2	Link bottom
2	ANR4153	2	Bush
3	BX116201L	2	Bolt high tensile M16x100
4	NY116051L	2	Nut nyloc M16
5	ANR4158	2	Mounting rubber
6	WA120001	2	Washer plain M20
7	NY120041L	2	Nut M20
8	SX110301	6	Screw high tensile M10x30
9	NY110051L	6	Nut nyloc high tens M10
10	KHW100010	2	Bump stop
11	FS108201	4	Bolt flanged M8x20
12	WL108001L	4	Washer spring M8
13	NY108041L	4	Nut nyloc M8



Model DEFENDER XD ALL VARIANTS
 Page YDEXKA1B

SUSPENSION - REAR - BOTTOM LINK - 110

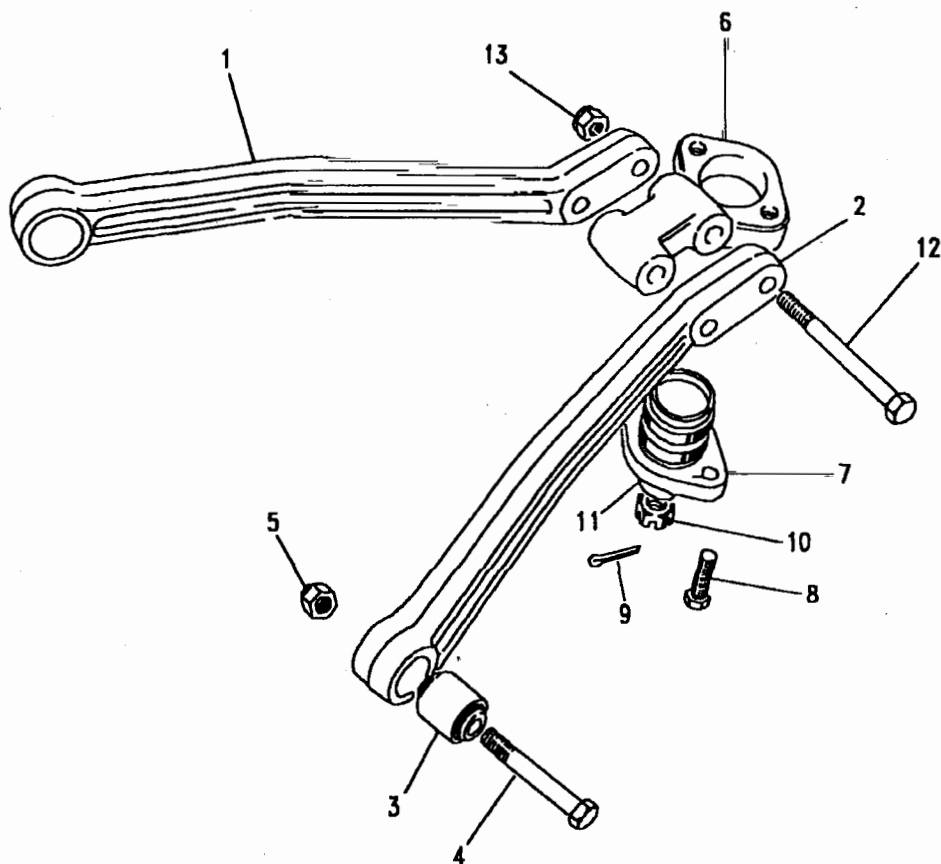


III. Part No.	Description	Qty	Remarks
1	ANR4192	2	Link bottom
2	ANR4153	2	Bush
3	BX116201L	2	Bolt high tensile M16x100
4	NY116051L	2	Nut nyloc M16
5	ANR4158	2	Mounting rubber
6	WA120001	2	Washer plain M20
7	NY120041L	2	Nut M20
8	SX110301	6	Screw high tensile M10x30
9	NY110051L	6	Nut nyloc high tens M10
10	ANR4189	2	Bump stop
11	FS108201	4	Bolt flanged M8x20
12	WL108001L	4	Washer spring M8
13	NY108041L	4	Nut nyloc M8

Model DEFENDER XD ALL VARIANTS

Page YDEXKA2A

SUSPENSION - REAR - TOP LINK, FULCRUM & BALL JOINT

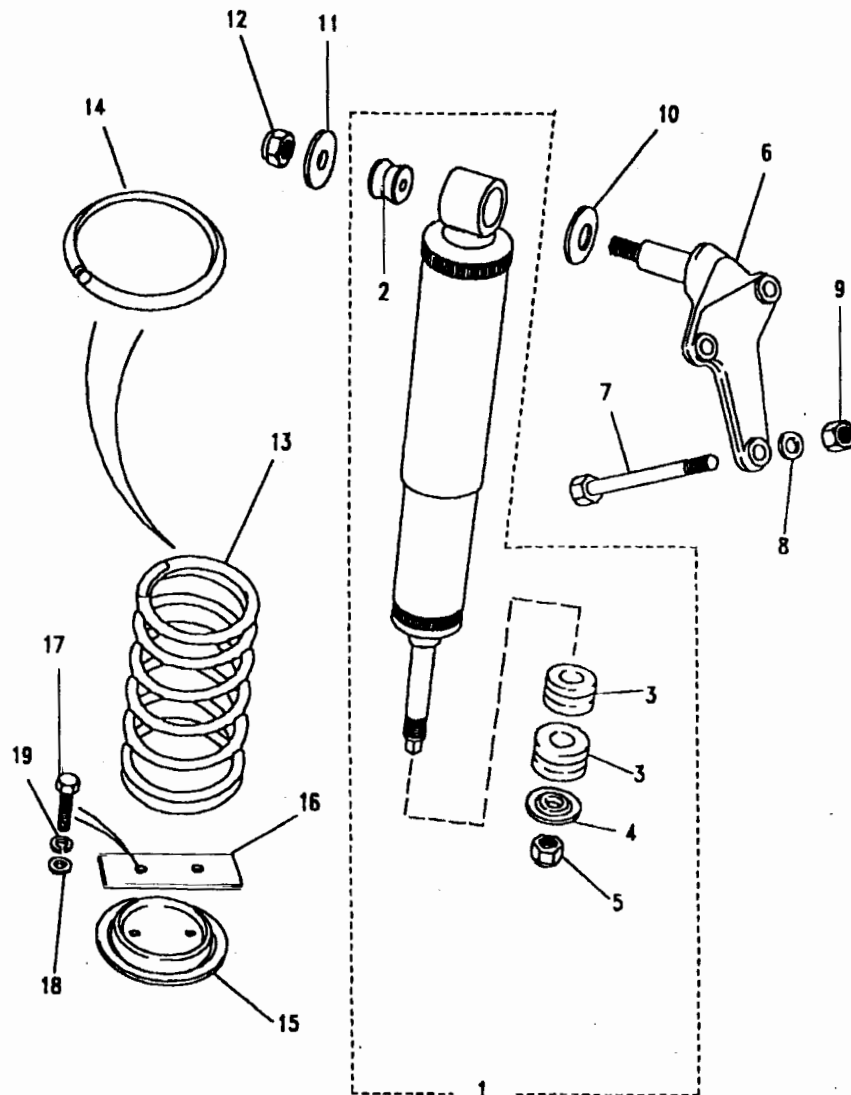


III. Part No.	Description	Qty	Remarks
1	ANR4488	1	Link top RH
2	ANR4487	1	Link top LH
3	ANR4164	2	Rubber bush
4	BX116201L	2	Bolt M16
5	NY116051L	2	Nut M16
6	ANR4483	1	Bracket ball joint
7	ANR1799	1	Ball joint
8	FS108207L	2	Bolt flanged M8x20
9	PS106321L	1	Split pin
10	NTC4618	1	Nut 20mm
11	WB120001	1	Washer special
12	BH116347	2	Bolt M16x170
13	NV116047	2	Nut M16

Model DEFENDER XD ALL VARIANTS

Page YDEXKC1A

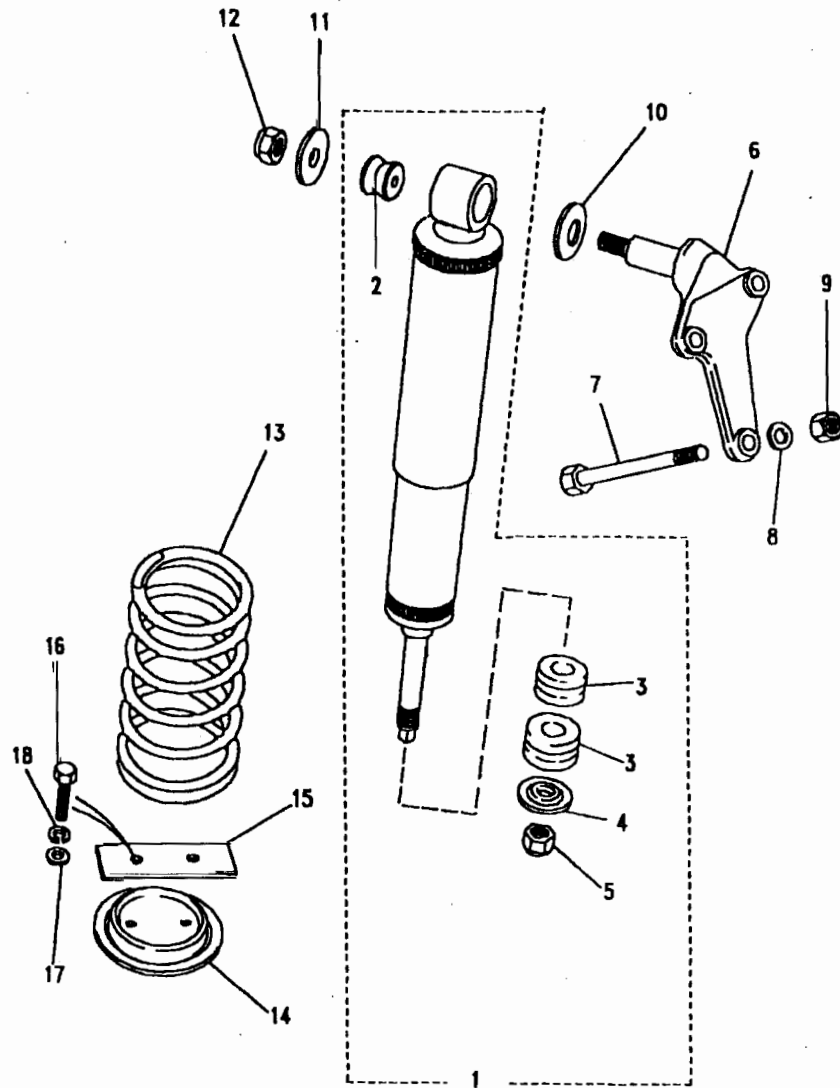
SUSPENSION - REAR - SHOCK ABSORBER & ROAD SPRING - 90



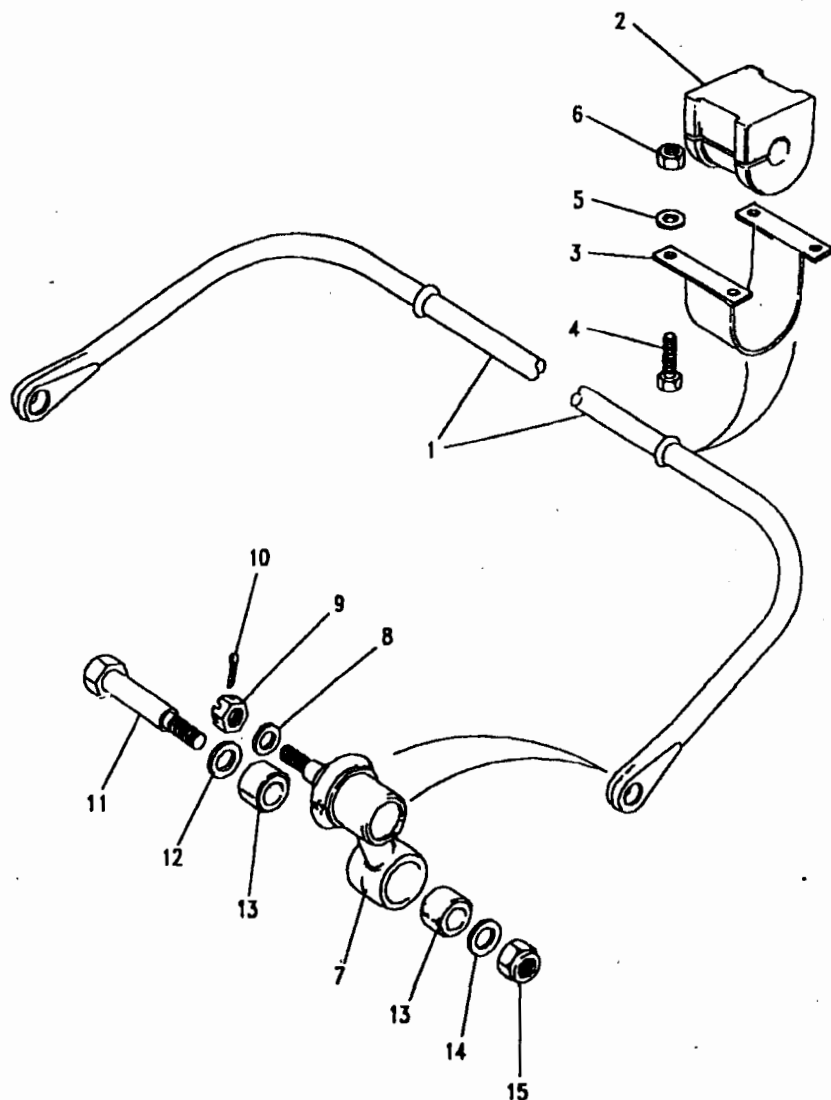
III. Part No.	Description	Qty	Remarks
1	STC3087	2	Shock absorber kit
2	STC3912	2	Bush rubber
3	RNF100090	4	Cushion rubber
4	ANR1895	4	Washer retaining
5	NTC4571	2	Nut
6	NRC7981	2	Bracket shock absorber
7	BH110221L	6	Bolt M10x110
8	WC110067L	6	Washer plain M10
9	NY110041L	6	Nut nyloc M10
10	NRC5602	2	Retainer inner
11	NRC5603	2	Retainer outer
12	NY112041L	2	Nut nyloc M12
13	RKB101060	2	Spring road rear
14	ANR3060	4	Isolator roadspring
15	NRC9700	2	Spring seat
16	NTC6106	2	Retainer
17	SH110251L	4	Screw M10x25
18	WA110061L	8	Washer plain M10
19	WM110001L	4	Washer spring M10

Model DEFENDER XD ALL VARIANTS
Page YDEXKC2A

SUSPENSION - REAR - SHOCK ABSORBER & ROAD SPRING - 110



Ill. Part No.	Description	Qty	Remarks
1	STC3087 Shock absorber kit	2	
2	STC3912 Bush rubber	2	
3	RNF100090 Cushion rubber	4	
4	ANR1895 Washer retaining	4	
5	NTC4571 Nut	2	
6	NRC7981 Bracket shock absorber	2	
7	BH110221L Bolt M10x110	6	
8	WC110067L Washer plain M10	6	
9	NY110041L Nut nyloc M10	6	
10	NRC5602 Retainer inner	2	
11	NRC5603 Retainer outer	2	
12	NY112041L Nut nyloc M12	2	
13	ANR3540 Spring road rear	2	
14	NRC4317 Spring seat	2	
15	NRC4318 Retainer	2	
16	SH110251L Screw M10x25	4	
17	WA110061L Washer plain M10	8	
18	WM110001L Washer spring M10	4	



Model DEFENDER XD ALL VARIANTS
 Page YDEXKE1A

SUSPENSION - REAR - ANTI-ROLL BAR - AMBULANCE

III. Part No.	Description	Qty	Remarks
1	ANR4344	1	Anti-roll bar rear
2	NRC5674	2	Bush
3	592773	2	Strap
4	FS108251L	8	Screw M8 x 25
5	WA108051L	8	Washer plain M8
6	NY108041L	8	Nut nyloc M8
7	NTC1888	2	Ball joint and link assy
8	WC112081	2	Washer plain M12
9	NC112041	2	Nut castle M12
10	PS106321L	2	Pin split 3.2 x 32mm
11	NRC6658	2	Pin anti roll bar
12	264024	2	Washer plain
13	552819	4	Bush
14	WC116101	2	Washer plain M16
15	NY116041L	2	Nut nyloc M16



MASTER INDEX

INTRODUCTION PAGES	PAGES
ALPHABETICAL INDEX	1 - 4
ENGINE	5 - 16
GEARBOX	17 - 57
TRANSFER BOX	58 - 74
AXLES AND SUSPENSION	75 - 90
STEERING	91 - 129
VEHICLE AND ENGINE CONTROLS	130 - 141
BRAKES	142 - 148
FUEL SYSTEM AND AIR CLEANER	149 - 161
EXHAUST SYSTEM	162 - 179
COOLING/HEATING	180 - 185
BODY ELECTRICAL	186 - 225
BODY AND CHASSIS	226 - 319
INTERIOR TRIM	320 - 444
SEATS	445 - 459
STOWAGE	460 - 473
ACCESSORIES - PAINTS	474 - 482
NUMERICAL INDEX	483 - 495
	497 - 530

GROUP F

STEERING

STEERING

STEERING WHEEL AND COLUMN	131
STEERING COLUMN COWL & IGNITION LOCK	132
COLUMN TOP SUPPORT	133
POWER STEERING BOX	134 - 136
STEERING TRACK RODS & DAMPER	137 - 138
POWER STEERING RESERVOIR	139
POWER STEERING PIPES	140 - 141



Model DEFENDER XD ALL VARIANTS

Page YDFXAA1A

STEERING - STEERING WHEEL AND COLUMN

III. Part No.	Description	Qty	Remarks
1	ANR3231	1	Wheel steering
	QTB102860	1	Wheel steering
2	NRC7636	1	Ring indicator cancel
3	CRC209	1	Nut retaining
4	WE114001	1	Washer shakeproof M14
5	NTC8848	1	Cap centre
6	NTC9068	1	Column steering
	QMB102060	1	Column steering
7	NRC9711	1	Tie rod
8	SH110161L	1	Screw M10 x 16
9	SH110251L	1	Screw M10 x 25
10	WA110061L	2	Washer plain M10
11	WL110001L	2	Washer spring M10
12	FN110047	1	Nut M10
13	QMI100000	1	Clip retaining
14	NRC7127	1	Support
15	FS108257L	2	Screw M8 x 25
16	FS108207L	4	Screw M8 x 20
17	WC108051L	6	Washer plain M8
18	NY108041L	6	Nut nyloc M8
19	NRC7387	1	Universal joint steering
20	NRC7704	1	Universal joint steering
21	BH108091L	4	Bolt M8 x 45
	BX108091	4	Bolt high tensile M8 x 45
22	NY108041L	4	Nut nyloc M8
	NY108051L	4	Nut high tensile nyloc M8
23	RTC4738	1	Shaft steering

Sealing grease - steering wheel fixings - waterproof vehicles

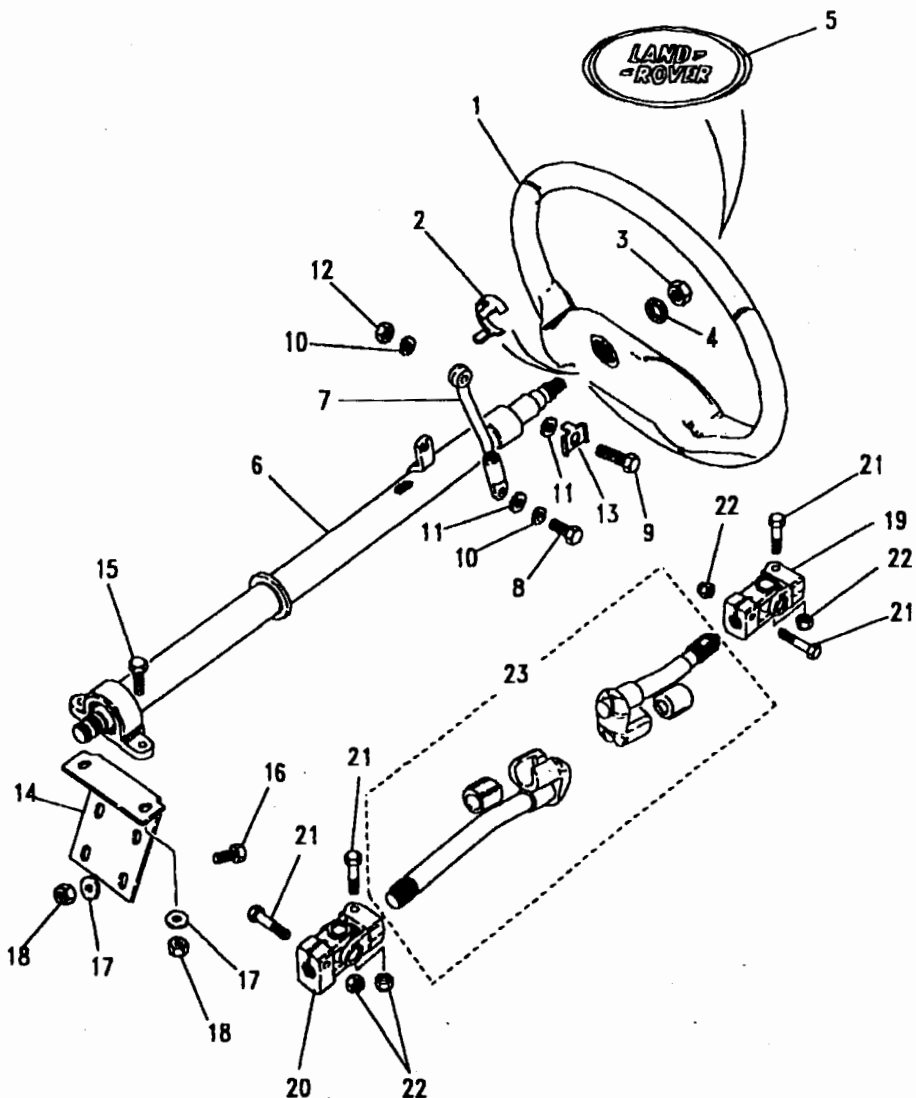
QZB100060

Sealant

A/R 15g sachet

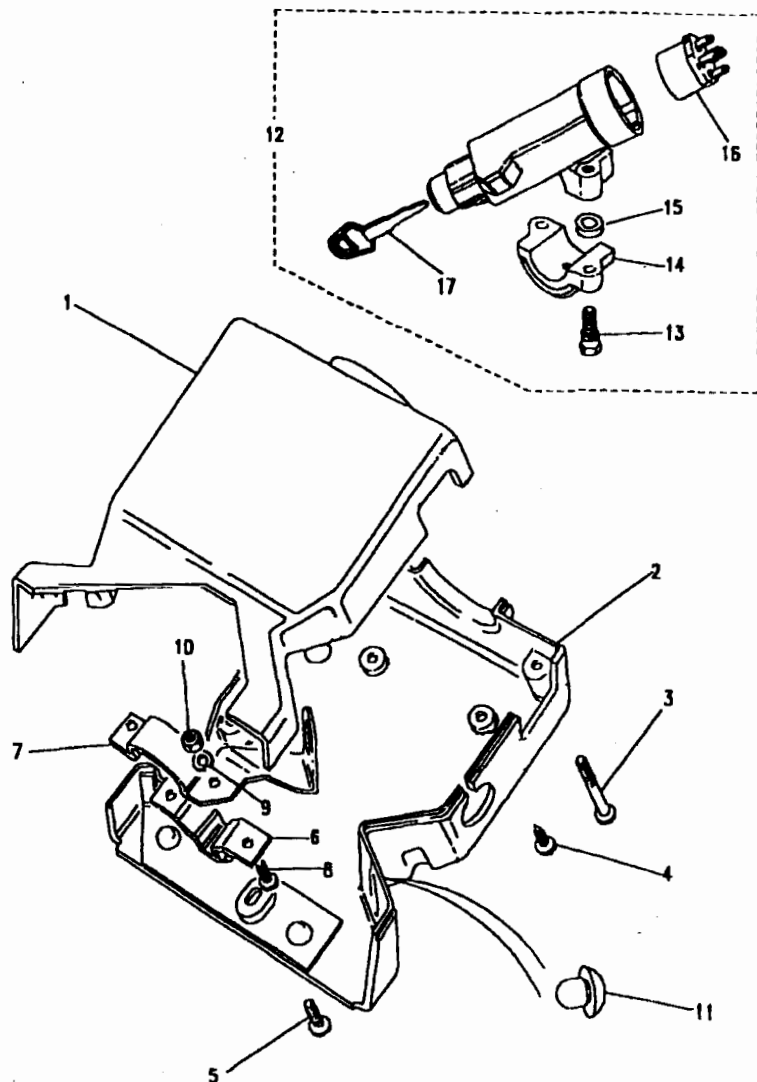
Note(1)

Steering column lock see page 132



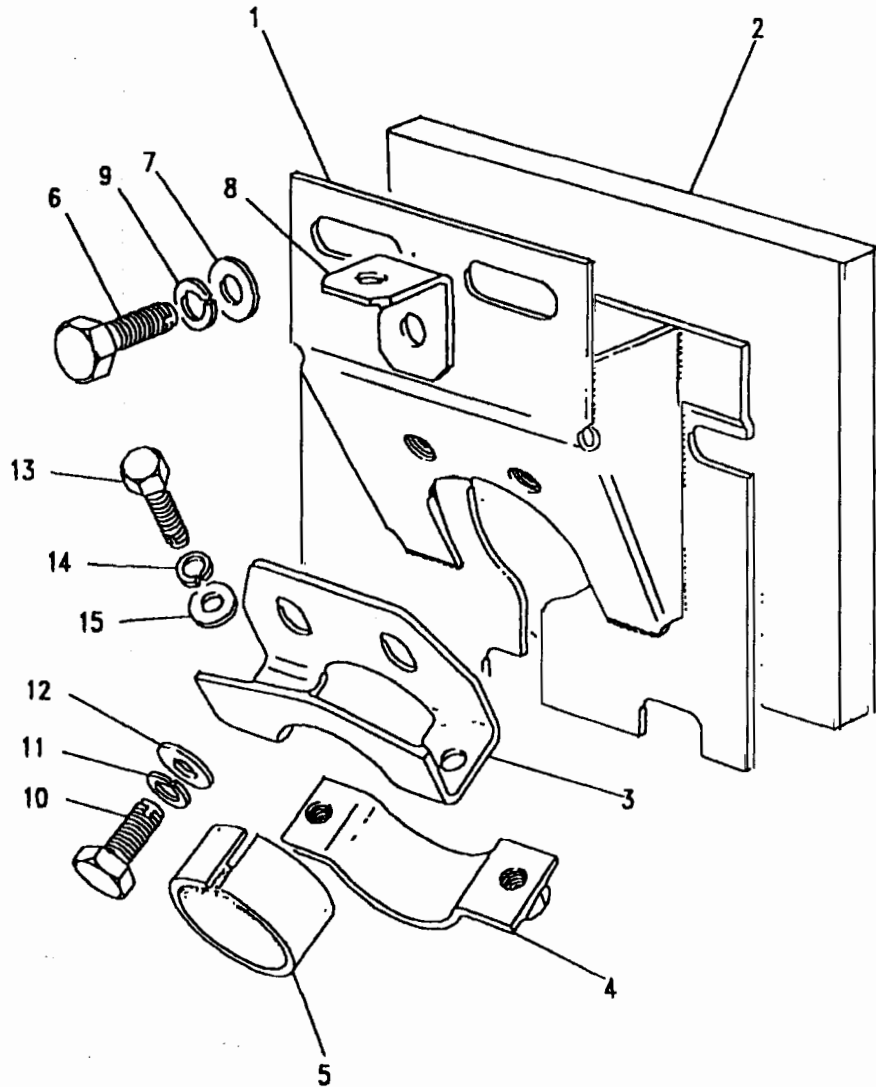
Model DEFENDER XD ALL VARIANTS
 Page YDFXCA1A

STEERING - STEERING COLUMN COWL & IGNITION LOCK



III. Part No.	Description	Qty	Remarks
1	MTC3499	1	Column cowl upper
2	MTC3801	1	Column cowl lower
3	SE105401	4	Screw M5x40
4	AB608031L	2	Screw No.8 x 3/8"
5	SE105161L	1	Screw M5x16
6	NRC7836	1	Clamp
7	NRC7835	1	Clamp
8	SH105121	2	Screw
9	WA105001	2	Washer spring
10	NH105041	2	Nut
11	331083	1	Grommet blanking
12	ANR2848	1	Lock assembly ignition
	QRF100880	1	Lock assembly ignition
13	51K4001L	2	Shear bolt
14	NRC7422	1	Clamp lock
	QRF100100	1	Clamp lock
15	WB108051L	2	Washer spacer
16	PRC8230	1	Switch ignition
17		A/R	Note(1)

Note(1) For keys and locksets see page 370



Model DEFENDER XD ALL VARIANTS
 Page YDFXEA1A

STEERING - COLUMN TOP SUPPORT

III. Part No.	Description	Qty	Remarks
1	MTC1382 Bracket support	1	
2	MUC7000 Seal	1	
3	346722 Clamp top	1	
4	MTC1078 Clamp lower	1	
5	348747 Strip rubber	1	
6	FS108257L Screw	2	
7	WA108051L Washer plain	1	
8	MTC4771 Bracket	1	
9	WL108001L Washer spring	2	
10	NN108021 Nutsert	2	
11	GG108251L Screw	2	
12	WA108051L Washer plain	2	
13	WL108001L Washer spring	2	
14	GG106251L Screw	2	
15	WL106001L Washer spring	2	
	WA106041L Washer plain	2	

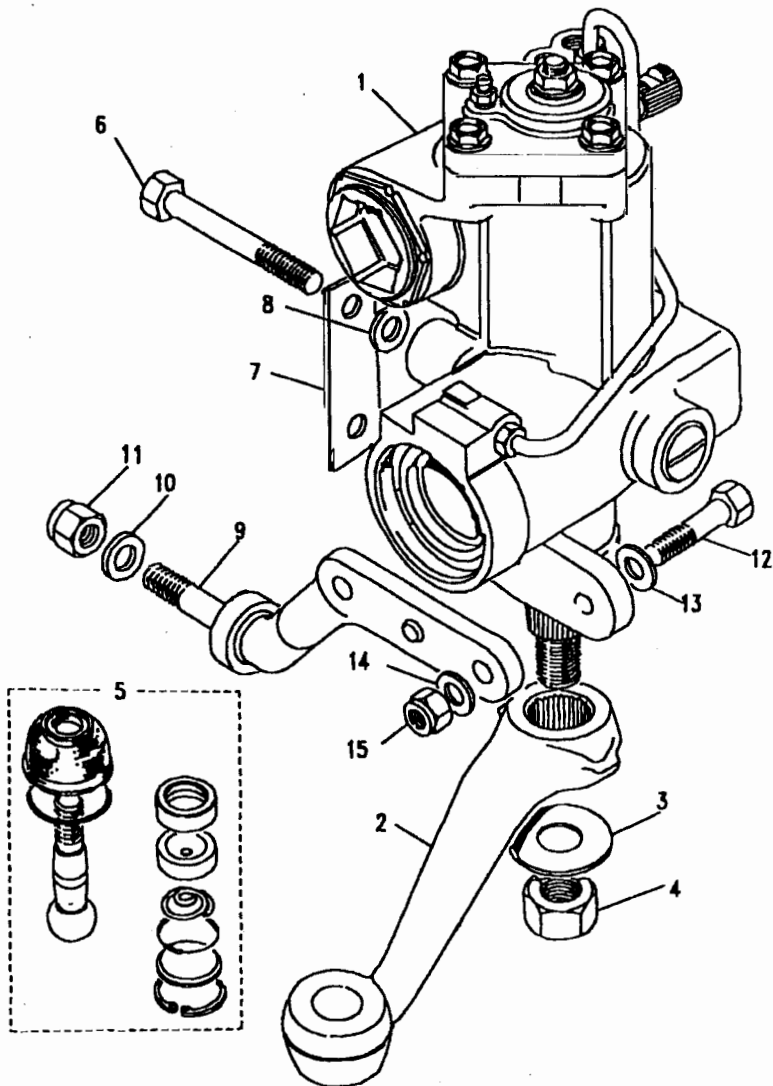


Model DEFENDER XD ALL VARIANTS
 Page YDFXGC4A

STEERING - POWER STEERING BOX

III. Part No.	Description	Qty	Remarks
Steering box assembly			
1	STC2846	1	Steering box RH Stg
	STC8384E	1	Steering box RH Stg Exchange
	STC2845	1	Steering box LH Stg
	STC8383E	1	Steering box LH Stg Exchange
2	STC1044	1	Drop arm and ball joint RH Stg
	STC1045	1	Drop arm and ball joint LH Stg
3	600265	1	Washer
4	NT614041L	1	Nut
5	RTC4198	1	Kit ball joint
6	BX112201	4	Bolt M12x20
7	572077	2	Washer tab
8	WA112081L	4	Washer plain 1/2"
9	ANR2994	1	Tie bar
10	4905	1	Washer plain
11	NY608041	1	Nut 1/2"unf locking
12	BH112121L	2	Bolt M12x60
13	WA112081L	2	Washer plain 12mm
14	WA112081L	2	Washer plain 12mm
15	NY112041L	2	Nut M12 nyloc

Note(1) Steering box is supplied less drop arm.



Model DEFENDER XD ALL VARIANTS
 Page YDFXGC5A

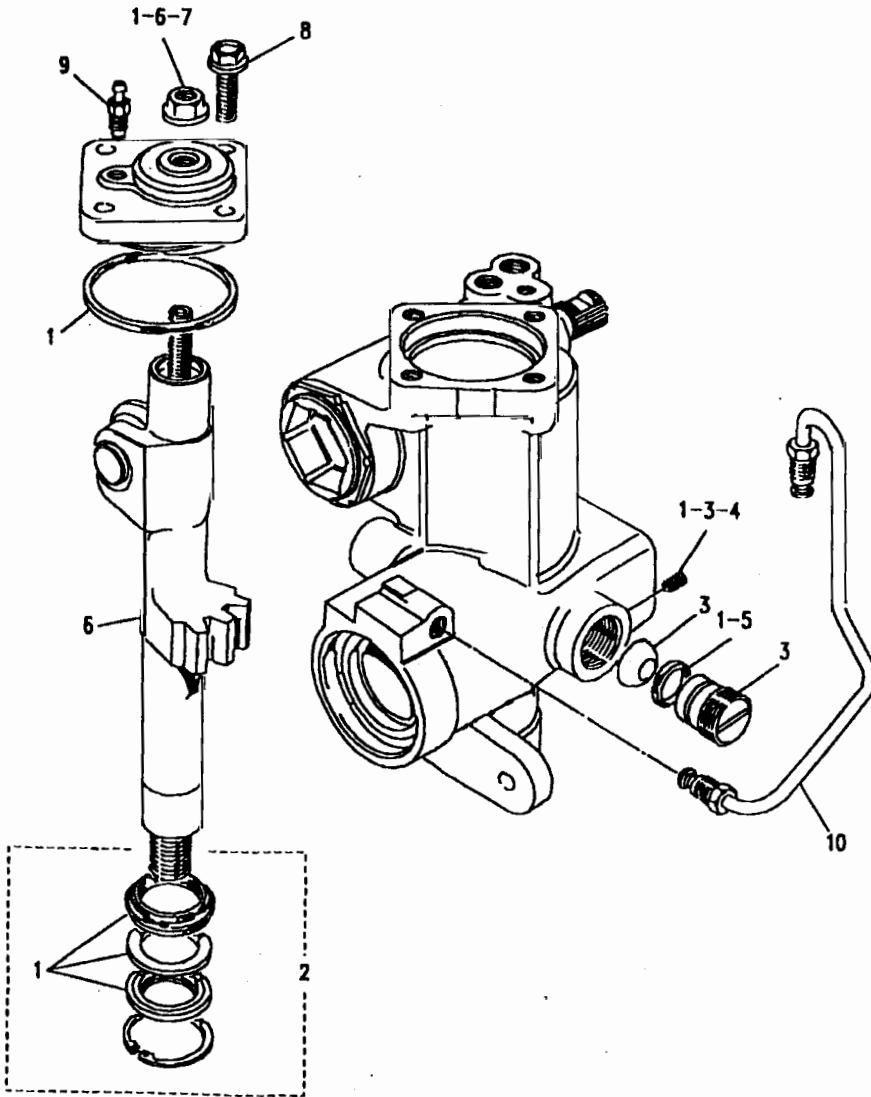
STEERING - POWER STEERING BOX

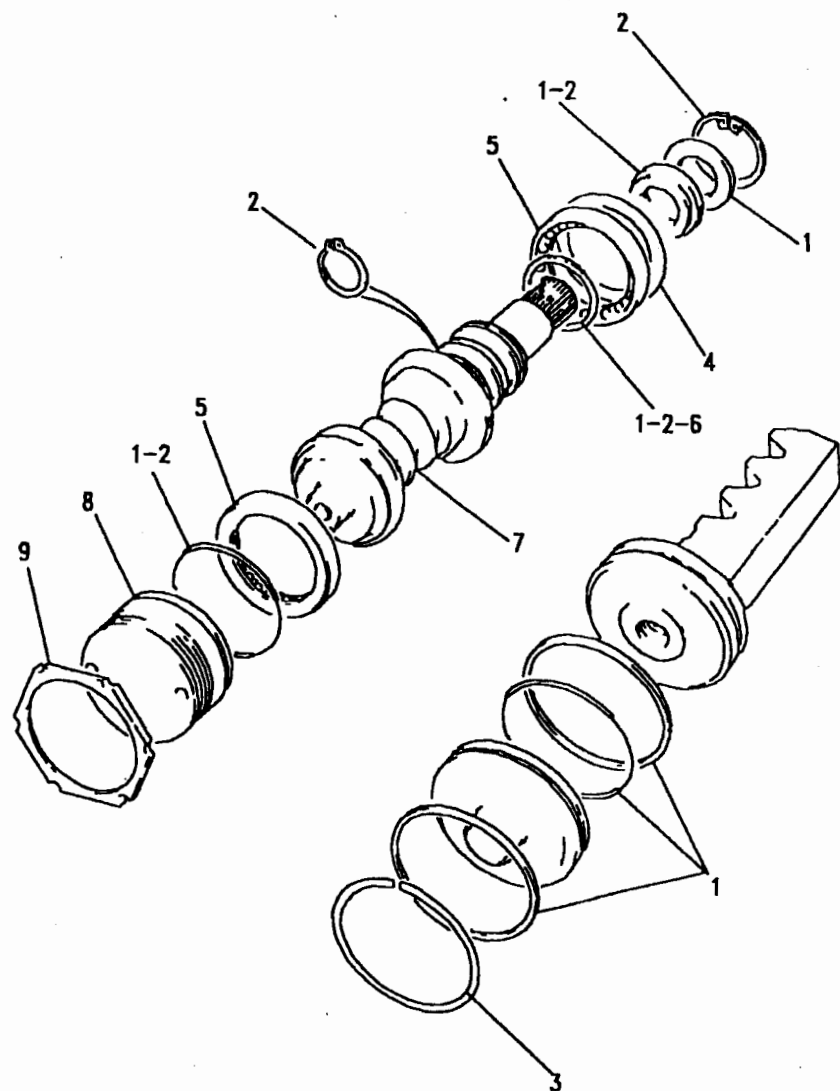
III. Part No. Description Qty Remarks

Housing and sector shaft overhaul components

Part No.	Description	Qty	Remarks
1	STC2847	1	Note(1)
2	STC2848	1	
3	STC1040	1	NLA use STC4385
4	STC4385	1	
5	11011L	1	Screw
6	608065	1	Seal
7	RTC4398	1	Sector shaft & nut
8	RTC4399	1	Sector shaft & nut
9	RTC4394	1	Nut
10	RTC4393	1	Screw
	RTC4395	4	Bleed Screw
	RTC4400	1	Pipe oil transfer
	RTC4401	1	Pipe oil transfer

Note(1) See page 136





Model DEFENDER XD ALL VARIANTS
 Page YDFXGC6A

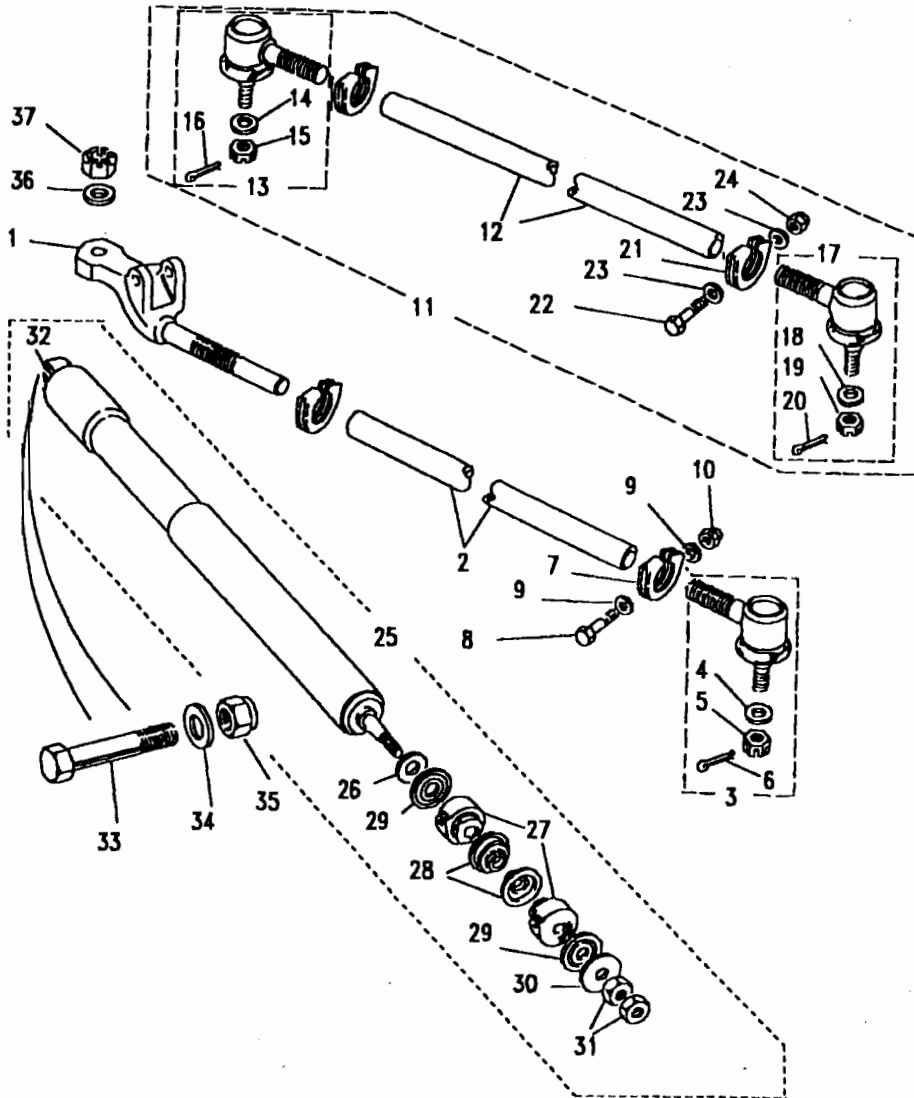
STEERING - POWER STEERING BOX

III. Part No.	Description	Qty	Remarks
Piston, worm and valve overhaul components			
1	STC2847 Kit seals steering box	1	Note(1)
2	STC889 Kit seals input shaft	1	
3	RTC4404 Ring retaining	1	
4	RTC4410 Shim set	1	
5	RTC4409 Bearing race	2	
6	608000 Tellon ring	2	
7	RTC4405 Worm & valve	1	RH Stg
	RTC4406 Worm & valve	1	LH Stg
8	RTC4407 Screw adjusting	1	
9	RTC4408 Nut lock	1	

Note(1) See page 135

Model DEFENDER XD ALL VARIANTS
 Page YDFXKA1A

STEERING - STEERING TRACK RODS & DAMPER



Ill. Part No.	Description	Qty	Remarks
Cross rod assembly			
1	ANR2858	1	RH Stg
	ANR2859	1	LH Stg
2	ANR2860	1	
3	RTC5869	1	
4	WC112081L	2	
5	NC112041	2	
6	PS106321L	1	
7	577898	2	
8	BH604151L	2	
9	WA106041L	4	
10	NY604041L	2	
Track rod assembly			
11	NRC9743	1	
12	NRC9742	1	
13	RTC5869	1	
14	WC112081L	1	
15	NC112041	1	
16	PS106321L	1	
17	RTC5870	1	
18	WC112081L	1	
19	NC112041	1	
20	PS106321L	1	
21	577898	2	
22	BH604151L	2	
23	WA106041L	4	
24	NY604041L	2	

Model DEFENDER XD ALL VARIANTS
Page YDFXKA1A

STEERING - STEERING TRACK RODS & DAMPER

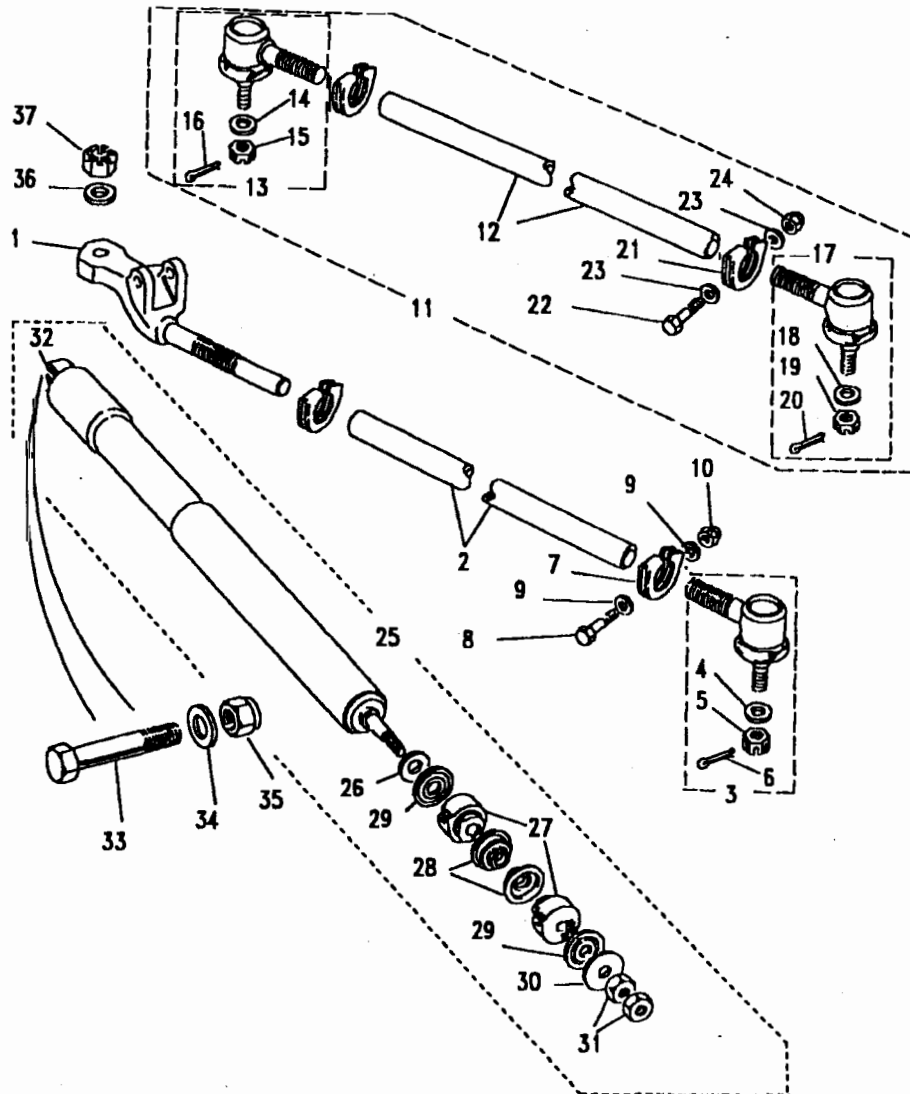
III. Part No. **Description** **Qty** **Remarks**

Steering damper

25	STC3138	Damper steering assembly	1	
26	595199	Washer plain	1	
27	568858	Bush rubber	2	
28	543819	Washer intermediate	2	Up to VA111543
	ANR6942	Washer intermediate	2	From VA111544
29	90575597	Washer stem	2	
30	WJ110007L	Washer plain	1	
31	AFU4214	Nut thin	2	
32	NTC1775	Bush rubber	1	
33	BH110121L	Bolt M10 x 60	1	
34	WA110061L	Washer plain M10	2	
35	NY110047L	Nut nyloc M10	1	

Fixings - steering drop arm to crossrod

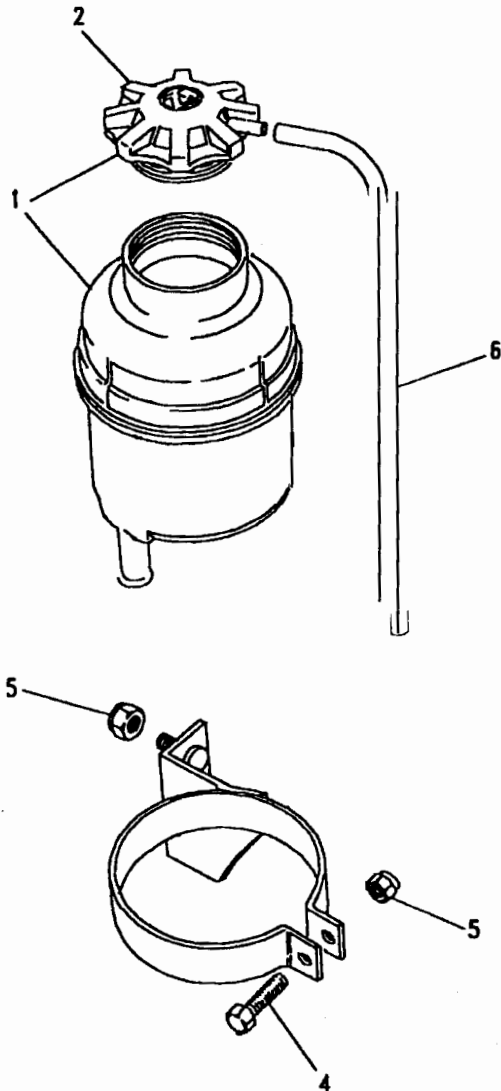
36	WC112081L	Washer plain	1	
37	NC112041	Nut M12 castle	1	



Model DEFENDER XD ALL VARIANTS
Page YDFXPA2A

STEERING - POWER STEERING RESERVOIR

III. Part No.	Description	Qty	Remarks
1 ANR2130	Reservoir assembly PAS	1	
2 STC3075	Cap reservoir PAS	1	
3 ANR3327	Carrier bracket	1	
4 FS106255L	Bolt M6x25	1	
5 FN106047L	Nut M6	3	
6 ANR2129	Vent hose	1	



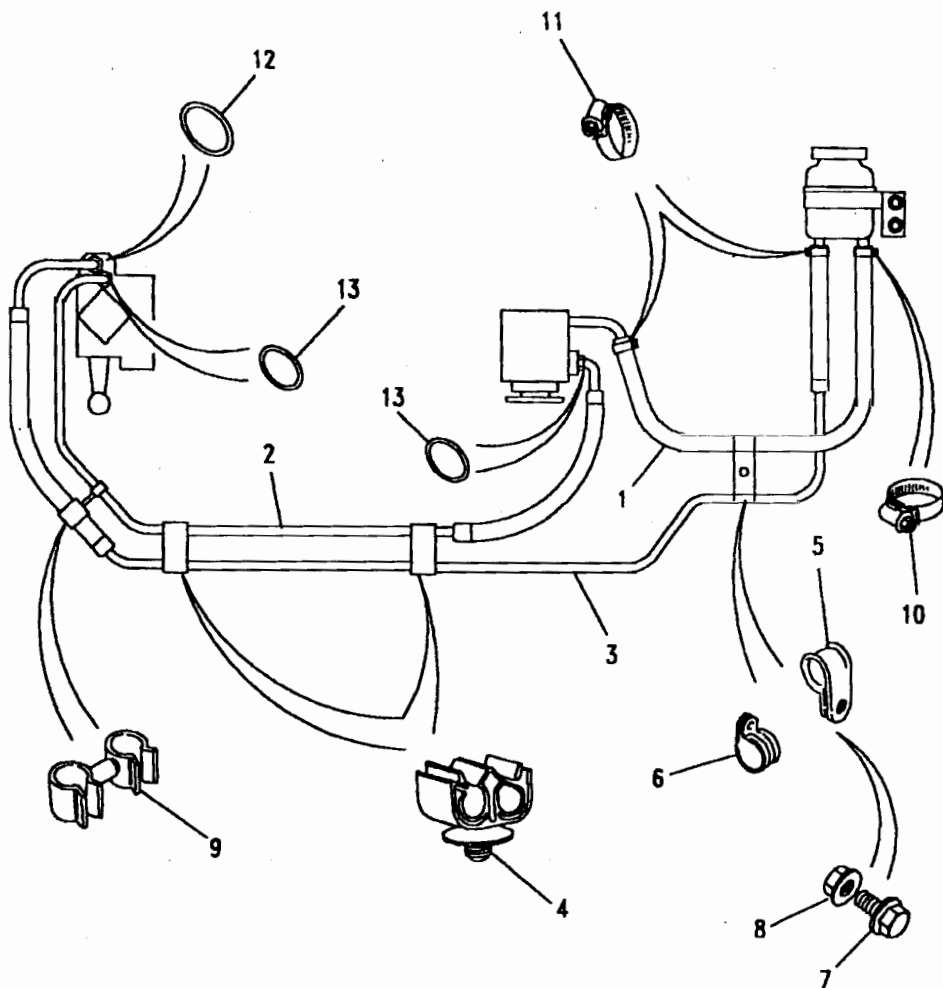
Model DEFENDER XD ALL VARIANTS
 Page YDFXRA2A

STEERING - POWER STEERING PIPES

III. Part No. Description Qty Remarks

Right Hand Steering

Part No.	Description	Qty	Remarks
1	ANR2485	1	
2	ANR4159	1	
3	ANR4160	1	Up to WA155311
	QEH102490	1	From WA155312
4	ESR1373	2	
5	CP106221	1	
6	50642	1	
7	FS106201	1	
8	FN106047L	1	
9	ADU9081L	1	
10	CN100208L	1	
11	CN100258L	2	
12	RTC4825	1	
13	RTC4826	2	



Model DEFENDER XD ALL VARIANTS
 Page YDFXRA3A

STEERING - POWER STEERING PIPES

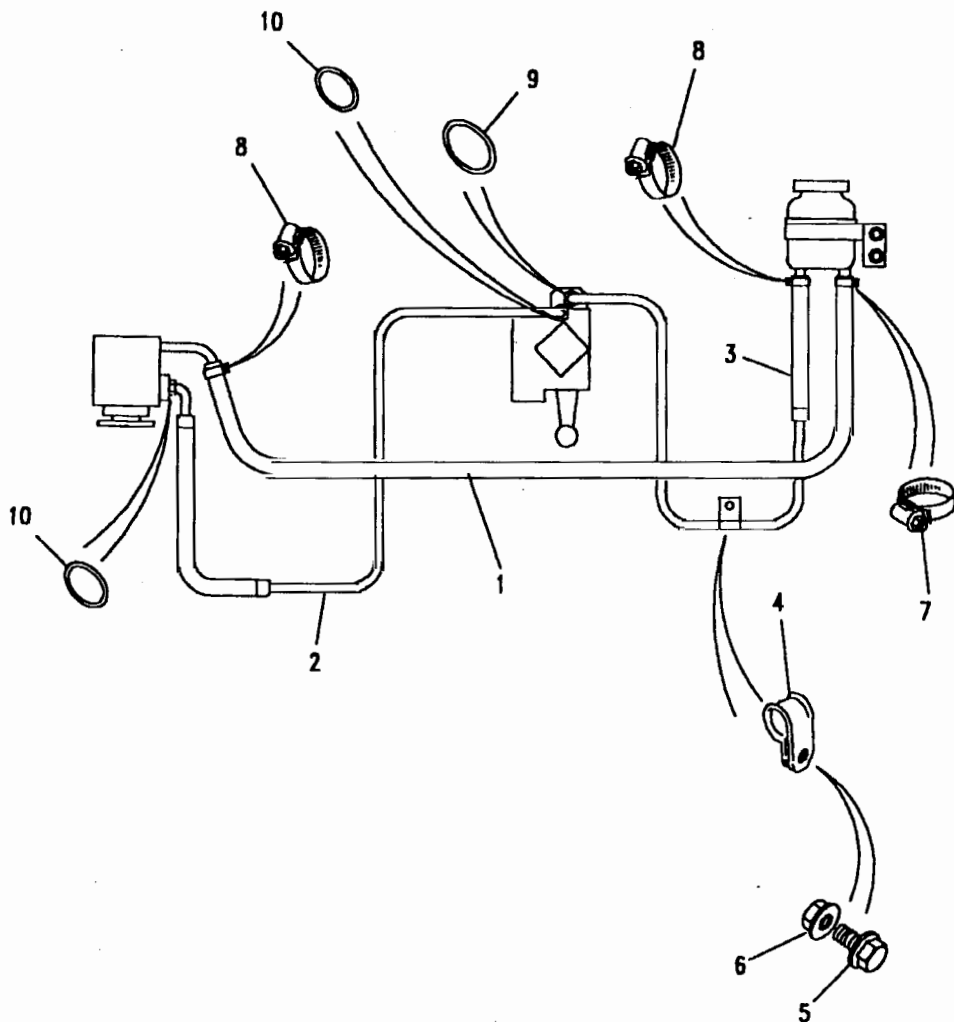
III. Part No.

Description

Qty Remarks

Left Hand Steering

1	ANR2485	Pipe reservoir to pump	1	
2	ANR6656	Pipe pump to stg box	1	
3	ANR6655	Pipe stg box to reservoir	1	NLA use QEH102390
	QEH102390	Pipe stg box to reservoir	1	
4	CP106221	P clip 22mm	1	
5	FS106201	Bolt flanged M6x20	1	
6	FN106047L	Nut flanged M6	1	
7	CN100208L	Clip hose	1	
8	CN100258L	Clip hose	2	
9	RTC4825	O ring low pressure	1	
10	RTC4826	O ring high pressure	2	





MASTER INDEX

GROUP G

VEHICLE AND ENGINE CONTROLS

	PAGES
INTRODUCTION PAGES	1 - 4
ALPHABETICAL INDEX	5 - 16
ENGINE	17 - 57
GEARBOX	58 - 74
TRANSFER BOX	75 - 90
AXLES AND SUSPENSION	91 - 129
STEERING	130 - 141
VEHICLE AND ENGINE CONTROLS	142 - 148
BRAKES	149 - 161
FUEL SYSTEM AND AIR CLEANER	162 - 179
EXHAUST SYSTEM	180 - 185
COOLING/HEATING	186 - 225
BODY ELECTRICAL	226 - 319
BODY AND CHASSIS	320 - 444
INTERIOR TRIM	445 - 459
SEATS	460 - 473
STOWAGE	474 - 482
ACCESSORIES - PAINTS	483 - 495
NUMERICAL INDEX	497 - 530

VEHICLE AND ENGINE CONTROLS

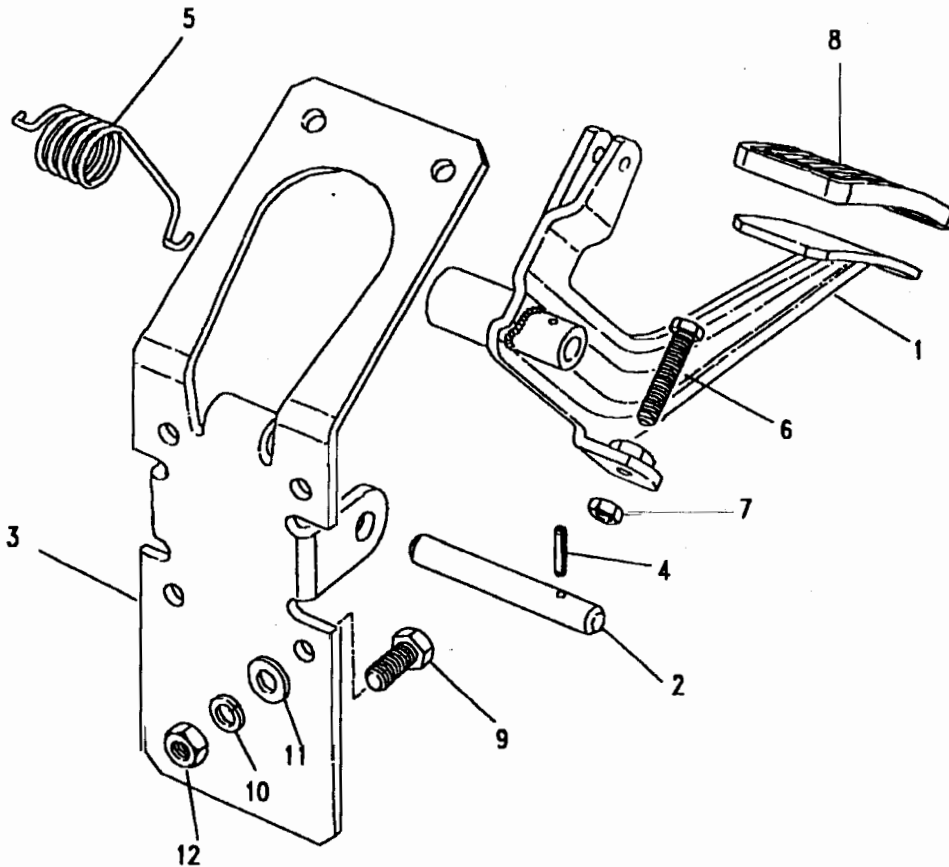
ACCELERATOR PEDAL	143
ACCELERATOR CABLE	144
CLUTCH PEDAL	145
BRAKE PEDAL	146
CLUTCH MASTER CYLINDER AND PIPES	147
HAND THROTTLE CONTROL	148



Model DEFENDER XD ALL VARIANTS
 Page YDGXAA1A

ENGINE CONTROLS - ACCELERATOR PEDAL

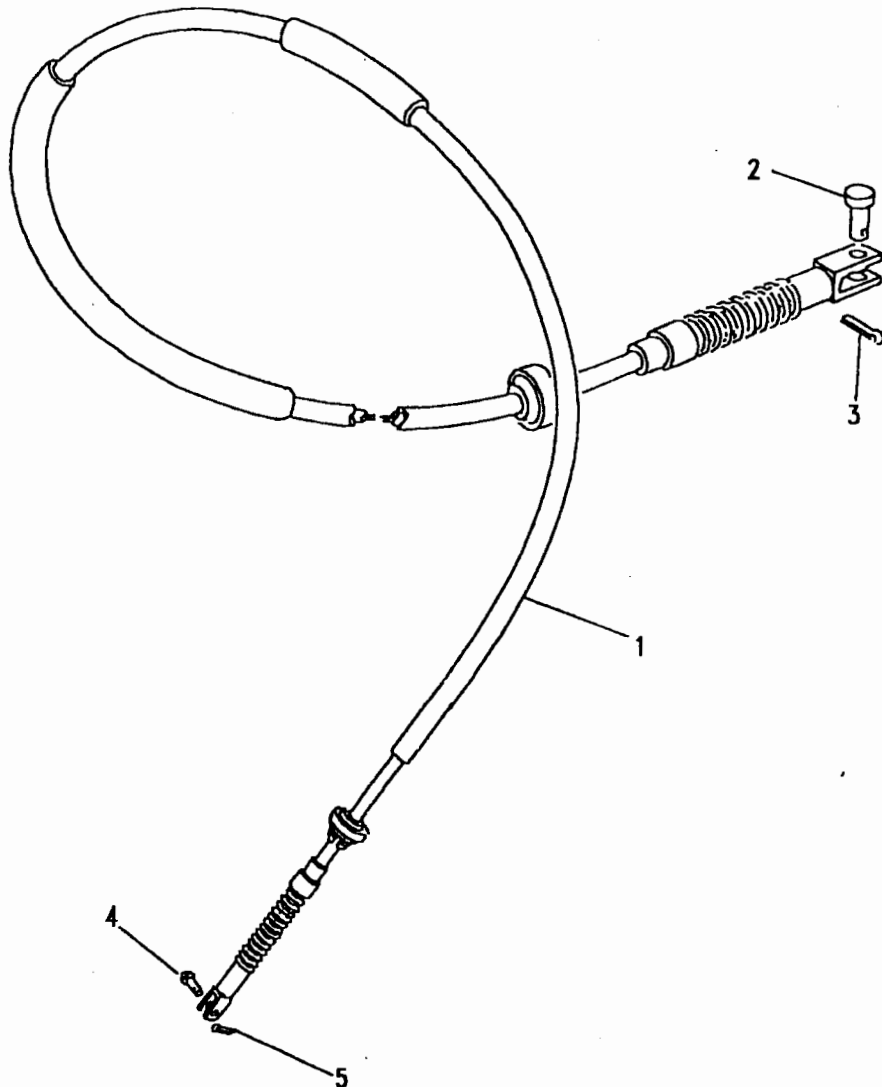
Ill. Part No.	Description	Qty	Remarks
1	NRC7827 Pedal accelerator	1	
2	NRC4475 Shaft pedal	1	
3	NRC5220 Bracket mounting	1	
4	PA105161L Pin spring	1	
5	NRC9121 Spring	1	
6	SH106301 Screw-pedal stop	1	
7	NH106041L Nut	1	
8	11H1781L Pad rubber pedal	1	
9	SH106161 Screw	6	
10	WL106001L Washer spring M6	6	
11	WA106041L Washer plain M6	6	
12	NH106041L Nut M6	6	





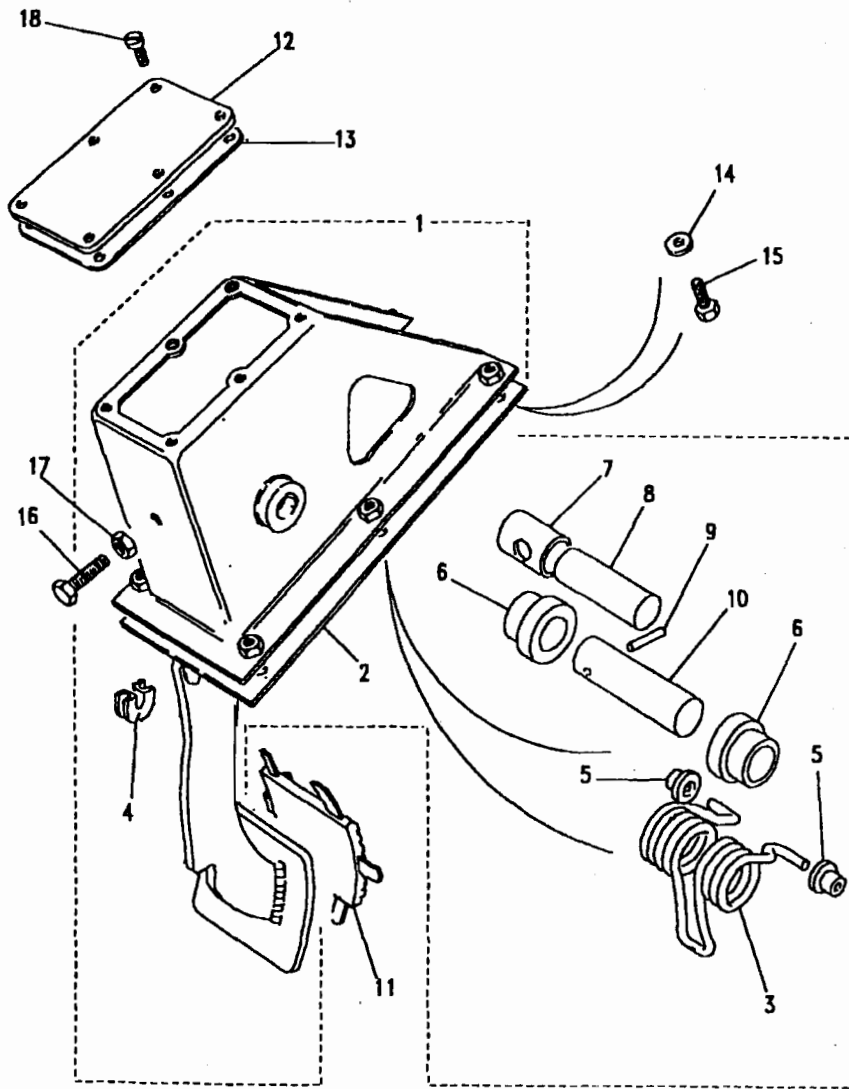
Model DEFENDER XD ALL VARIANTS
Page YDGXAA2A

ENGINE CONTROLS - ACCELERATOR CABLE



Ill. Part No.	Description	Qty	Remarks
1	NTC9360	1	RH Stg
	NTC9359	1	LH Stg
2	562481	1	
3	PS603041L	1	
4	NRC5502	1	
5	PS102081L	1	





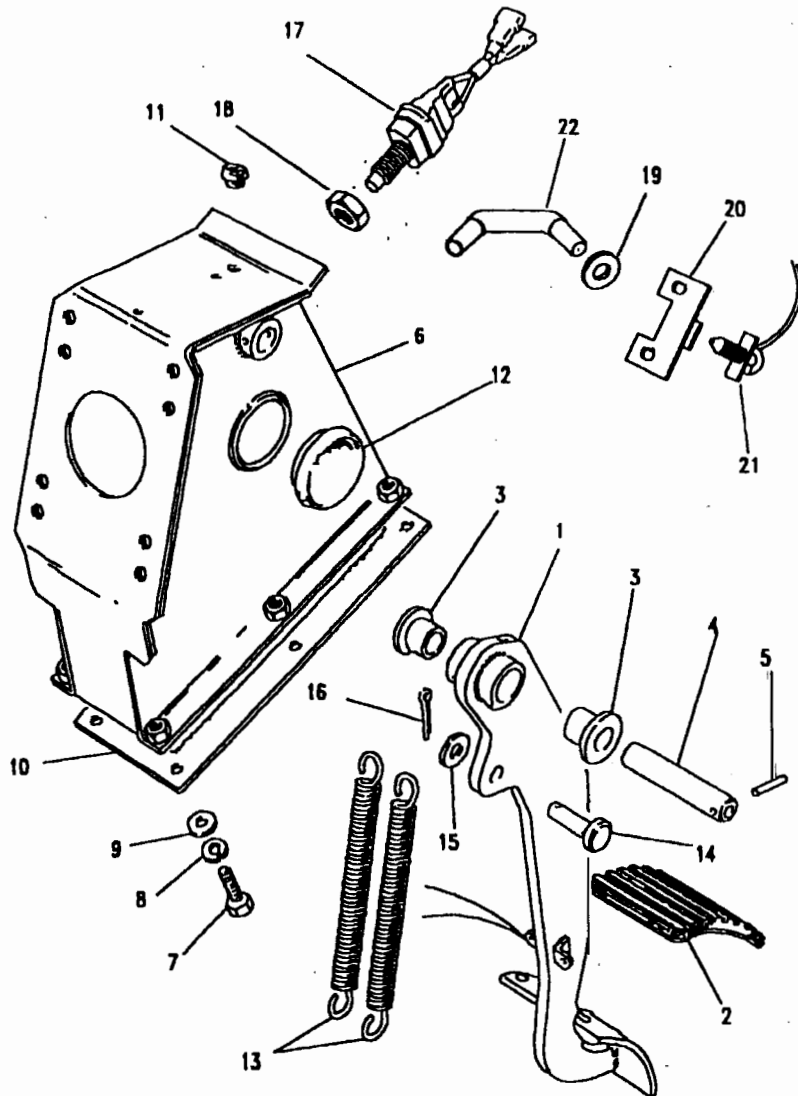
Model DEFENDER XD ALL VARIANTS

Page YDGXCA1B

ENGINE CONTROLS - CLUTCH PEDAL

III. Part No.	Description	Qty	Remarks
1 ANR5311	Pedal box assembly	1	
2 MUC7505	Gasket toe panel	1	Up to TA995737
ANR6332	Gasket toe panel	1	From TA995738
3 EDP7510L	Spring torsion	1	
4 CLP3180	Bearing	1	
5 DCP3212L	Nylon bush	2	
6 272714	Bush	2	
7 269783	Distance piece	1	
8 568883	Trunnion	1	
9 50446	Pin	1	
10 272712	Pin pivot	1	
11 61K738	Pad rubber pedal	1	
12 272713	Top cover	1	
13 272819	Gasket	1	
14 WA108051L	Washer	6	
15 SH604081L	Screw 1/4 UNF	6	
16 BH108061L	Bolt M8 x 30	1	
17 NH604041L	Nut	1	
18 78227	Screw	6	Up to WA150990
SL510031	Screw	6	From WA150991





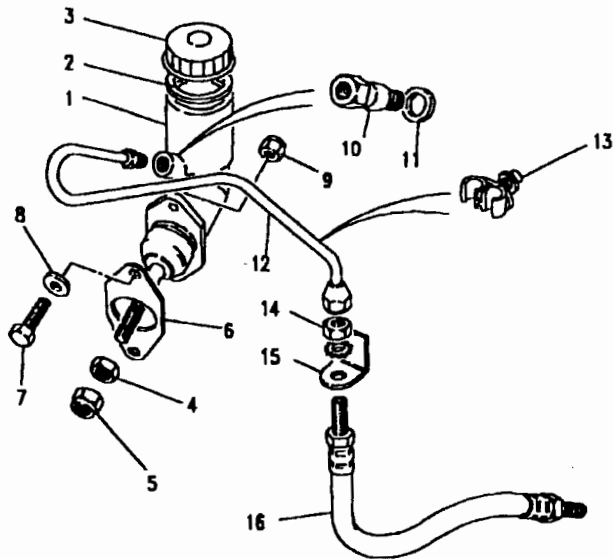
Model DEFENDER XD ALL VARIANTS
Page YDGXCA2A

ENGINE CONTROLS - BRAKE PEDAL

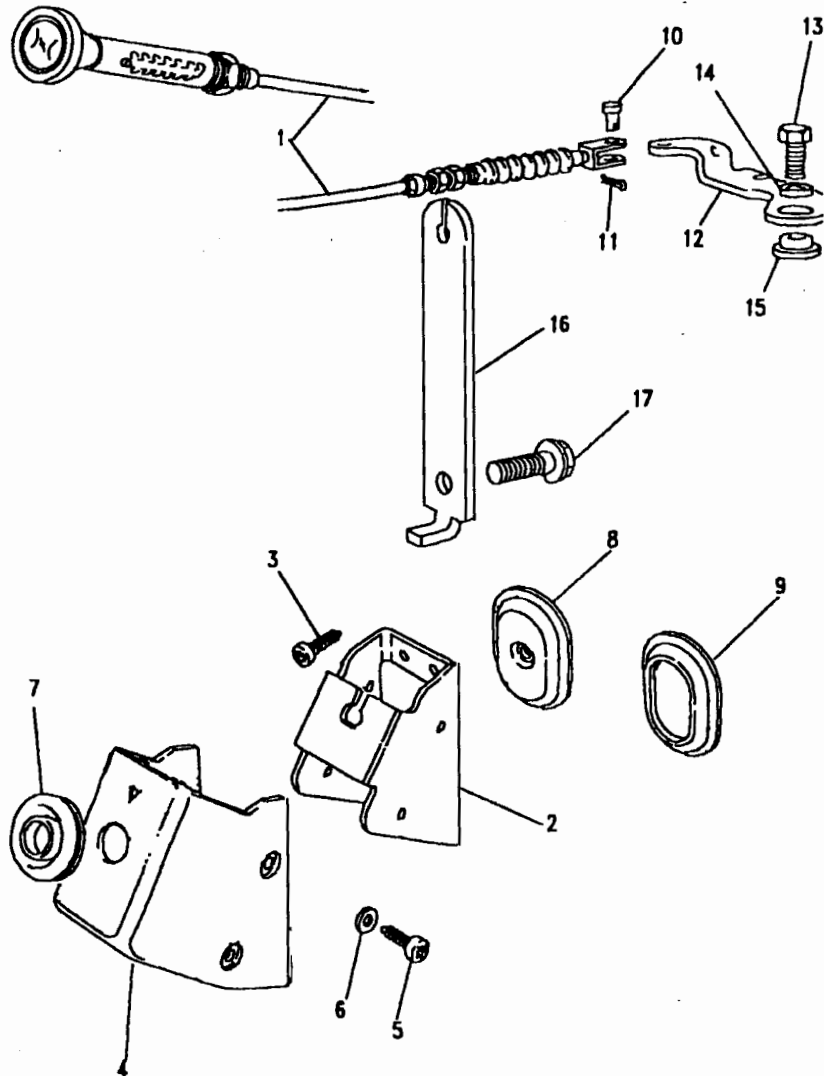
III. Part No.	Description	Qty	Remarks
1	NTC1210	1	Pedal assembly brake
2	61K738	1	Pad rubber
3	564816	2	Bush brake pedal
4	564813	1	Shaft pedal
5	50446	1	Pin
6	NTC7933	1	Pedal box
	SKB103910	1	Pedal box
			Waterproof
7	GG108251L	6	Screw
8	WL108001L	6	Washer spring
9	WA108051L	6	Washer plain
10	MUC7506	1	Gasket
	ANR6333	1	Gasket
			Up to TA995737
			From TA995738
11	338027	1	Plug sealing
12	AFU2627	2	Plug sealing
13	569291	2	Spring
	NRC7869	1	Sleeve
14	PC112291	1	Pin clevis
15	WA112081L	1	Washer plain
16	PS106201	1	Pin split
17	PRC4297	1	Switch brake light
	XKB100180	1	Switch brake light
			Waterproof
18	BMK1903	1	Nut
Servo remote breather connection - waterproof vehicles			
19		1	Seal fume
	STC4292	1	Kit seal brake servo
20	SKU101310	1	Bracket pipe
21	PYC101100	1	Clip pipe
22	WFP102170	1	Pipe elbow breather

Model DEFENDER XD ALL VARIANTS
 Page YDGXE1A

ENGINE CONTROLS - CLUTCH MASTER CYLINDER AND PIPES



III. Part No.	Description	Qty	Remarks
1 550732	Master cylinder clutch	1	
2 264767	Washer sealing	1	
3 STC976	Cap plastic	1	
8G8837L	Kit master cylinder	1	
4 NT605041L	Nut thin	2	
5 NY605041L	Nut nyloc	1	
6 ANR5308	Gasket	1	
7 FS108307L	Screw	2	
8 WA108051L	Washer plain	4	
9 NY108041L	Nut nyloc	2	
10 512650	Adaptor	1	
11 233220	Gasket	1	
12 ANR2162	Pipe assembly	1	RH Stg
ANR2945	Pipe assembly	1	LH Stg
13 NTC1175	Pipe clip double	1	
14 NT607041L	Nut	2	
15 WF600071L	Washer shakeproof	2	
16 NTC9055	Hose clutch	1	



Model DEFENDER XD ALL VARIANTS
Page YDGXIA1A

ENGINE CONTROLS - HAND THROTTLE CONTROL

III. Part No.	Description	Qty	Remarks
1 ANR1338	Cable hand throttle	1	RH Stg
ANR1339	Cable hand throttle	1	LH Stg
2 NRC8734	Bracket mounting	1	
3 AR610041	Screw No10 x 1/2	4	
4 MTC3611	Cover	1	
5 AB608031L	Screw	2	
6 WC105001L	Washer plain	2	
7 531689	Grommet	1	
8 NRC6799	Grommet	1	
9 MTC1650	Plug blanking	1	
10 562481	Pin clevis	1	
11 PS102081	Pin split	1	
12 NTC8011	Lever	1	Note(1)
ANR6885	Lever	1	Note(2)
IRZ100000	Lever	1	Note(3)
13 SH106161	Screw	1	
14 WC106041L	Washer plain	1	
15 NTC8544	Bush	1	
16 ANR2512	Bracket abutment	1	Note(1)
ANR6373	Bracket abutment	1	Note(2)
17 FS108257L	Screw	1	

Note(1) Non EGR - engine prefix 15L
 Note(2) EGR - engine prefix 25L
 Note(3) Waterproof vehicles



MASTER INDEX

	PAGES		GROUP H
INTRODUCTION PAGES	1 - 4		
ALPHABETICAL INDEX	5 - 16		
ENGINE	17 - 57		
GEARBOX	58 - 74		
TRANSFER BOX	75 - 90		
AXLES AND SUSPENSION	91 - 129		
STEERING	130 - 141		
VEHICLE AND ENGINE CONTROLS	142 - 148		
BRAKES	149 - 161	BRAKES	
FUEL SYSTEM AND AIR CLEANER	162 - 179	MASTER CYLINDER AND SERVO	150
EXHAUST SYSTEM	180 - 185	BRAKE PIPES - FRONT - 90	151 - 152
COOLING/HEATING	186 - 225	BRAKE PIPES - FRONT - 110	153
BODY ELECTRIC L	226 - 319	BRAKE PIPES - REAR - 90	154
BODY AND CHASSIS	320 - 444	BRAKE PIPES - REAR - 110	155
INTERIOR TRIM	445 - 459	BRAKE PIPES - REAR - AMBULANCE	156
SEATS	460 - 473	DISC BRAKES - FRONT	157
STOWAGE	474 - 482	DISC BRAKES - REAR - 90	158
ACCESSORIES - PAINTS	483 - 495	DISC BRAKES - REAR - 110	159
NUMERICAL INDEX	497 - 530	HANDBRAKE LEVER	160
		HANDBRAKE CABLE	161



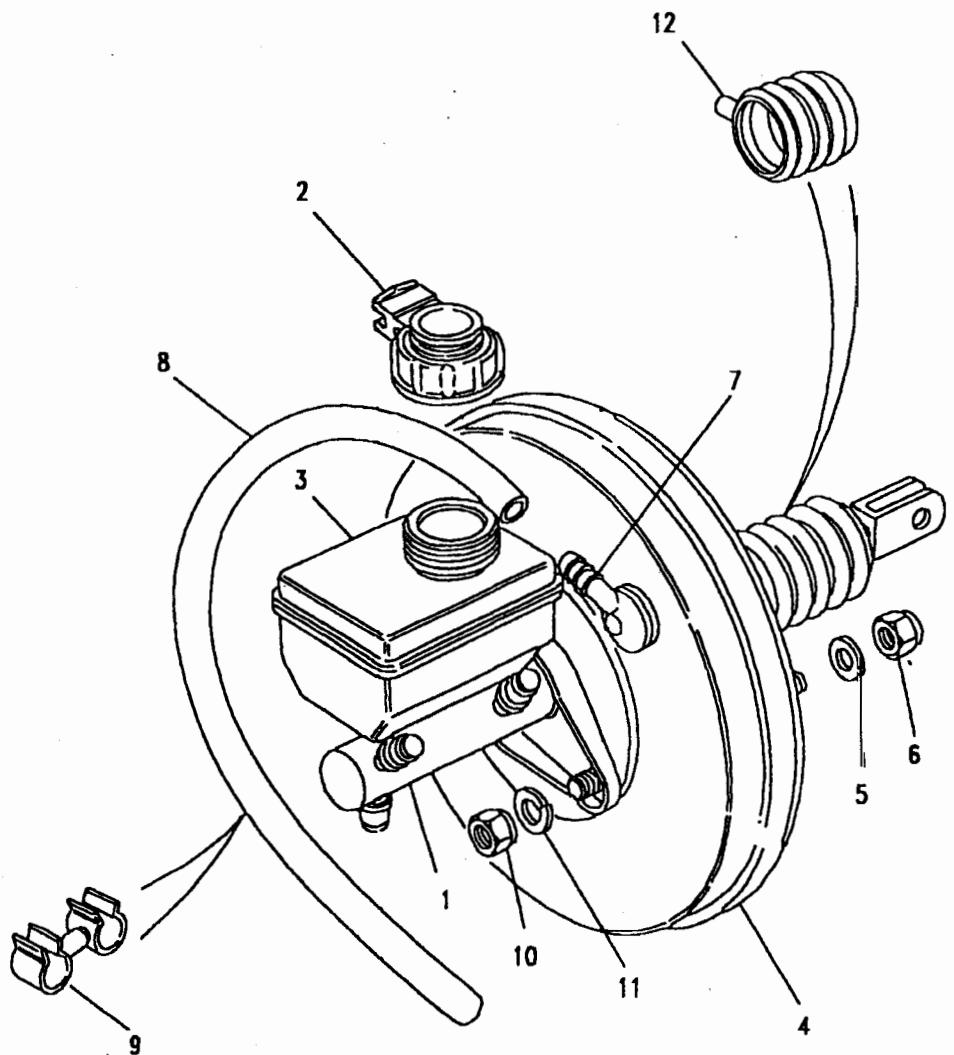
Model DEFENDER XD ALL VARIANTS

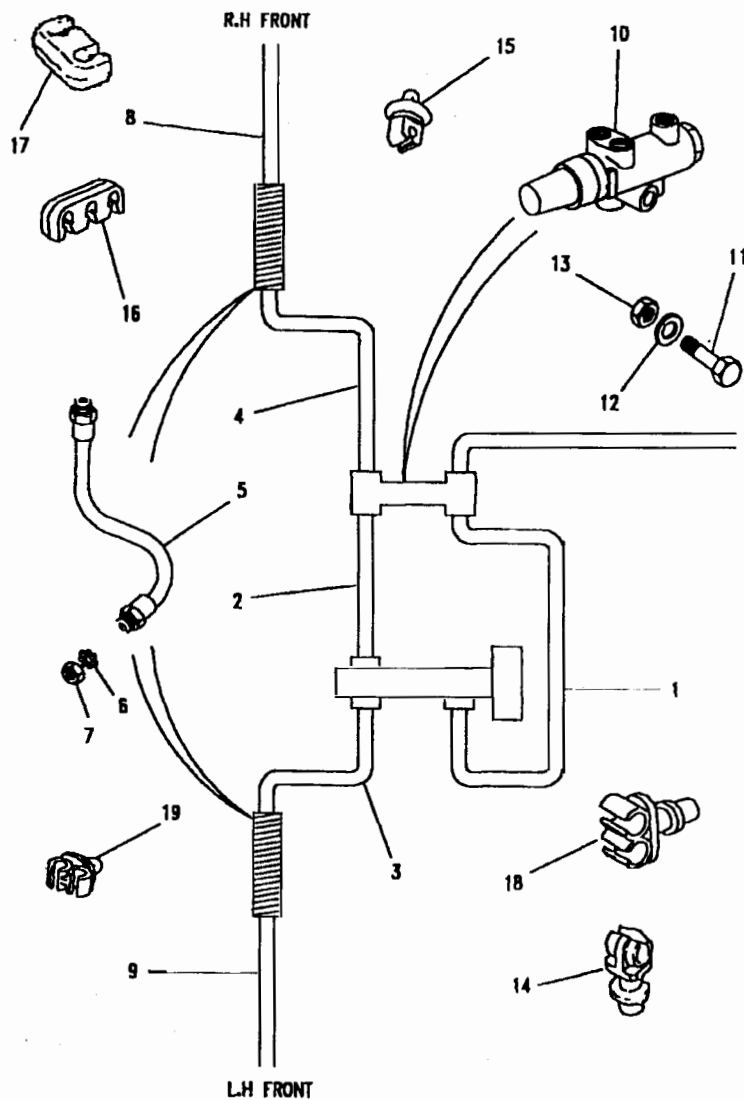
Page YDHXAA2A

BRAKES - MASTER CYLINDER AND SERVO

Ill. Part No.	Description	Qty	Remarks
1	STC441 STC491 EJP1504L	1	Master cylinder brake Kit master cylinder O ring
2	NTC4414	1	Cap Master cylinder M/cylinder to servo
3	STC492	1	Kit fluid reservoir
4	STC442	1	Servo assembly Note(1,2&3)
	STC4322	1	Servo assembly Note(1&2)
	NTC5017	1	Sealing strip Servo to pedal box
5	WA108051L	4	Washer plain MB
6	NY108041L	4	Nut nyloc MB
7	STC493	1	Valve non return
8	ANR2783	1	Hose vacuum servo RH Stg - note(4)
	ANR3563	1	Hose vacuum servo RH Stg - note(5)
	ANR2784	1	Hose vacuum servo LH Stg - note(4)
	ANR3564	1	Hose vacuum servo LH Stg - note(5)
9	ANR2781	1	Clip pipe double RH Stg
	ANR2781	1	Clip pipe double LH Stg
10	NY108041L	2	Nut nyloc MB
	NY108041L	2	Nut nyloc MB
11	WA108051L	2	Washer plain MB
Servo breather boot - waterproof vehicles			
12	STC4292	1	Boot breather vented NSS use STC4292 Note(6)
Servo boot sealing grease - waterproof vehicles			
	STC4420		Grease A/R 25g tube

- Note(1) Servo is supplied as an assembly only and cannot be repaired.
 Note(2) Servo supplied to standard condition - order STC4292 & STC4420 to waterproof.
 Note(3) NLA use STC4322
 Note(4) Non EGR - engine prefix 15L
 Note(5) EGR - engine prefix 25L
 Note(6) Kit does not contain grease, order STC4420 separately.



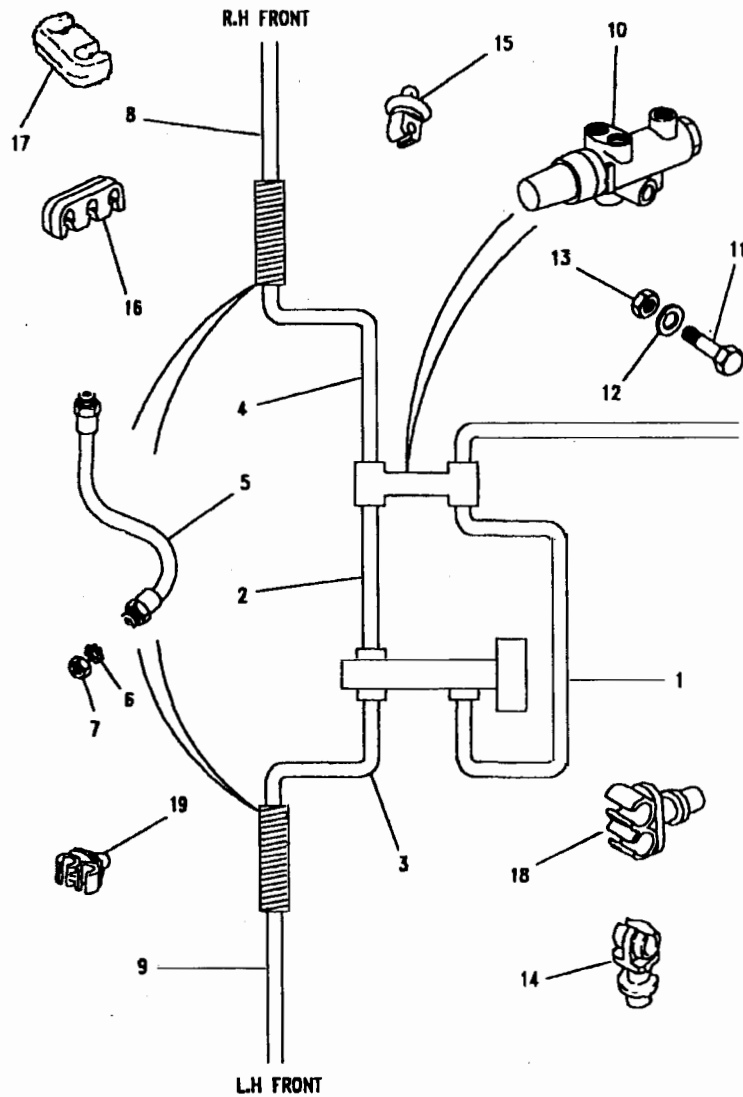


Model DEFENDER XD ALL VARIANTS

Page YDHXCA4A

BRAKES - BRAKE PIPES - FRONT - 90

III. Part No.	Description	Qty	Remarks
Right Hand Steering			
1 NTC7961	Pipe brake -m/cyl to valve rear	1	
2 NTC7968	Pipe brake -m/cyl to valve front	1	
3 NTC9726	Pipe brake -m/cyl to front LH hose	1	
Left Hand Steering			
1 ANR3770	Pipe brake -m/cyl to valve rear	1	
2 ANR3069	Pipe brake -m/cyl to valve front	1	
3 NTC5708	Pipe brake -m/cyl to front LH hose	1	
All variants			
4 ANR2503	Pipe brake -valve to front RH hose	1	



Model DEFENDER XD ALL VARIANTS
Page YDHXCA4A

BRAKES - BRAKE PIPES - FRONT - 90

III. Part No.	Description	Qty	Remarks
All variants			
5	NRC7874	2	Hose brake
6	WF110001L	4	Washer shakeproof
7	CRC1487	4	Nut
8	ANR2946	1	Pipe brake caliper RH
9	ANR2947	1	Pipe brake caliper LH
10	NTC8836	1	Valve brake 40PRF24
11	FB108111L	1	Bolt flanged M8 x 55
12	WA108051L	1	Washer plain M8
13	NY108041L	1	Nut nyloc M8
14	79124	1	Clip pipe single
	CRC1250L	1	Clip pipe single
15	NTC1176	1	Clip pipe single
Pipe clips - RH Stg			
16	ADU8846L	1	Clip pipe triple
17	AAU7803	2	Clip pipe double
19	NTC1175	1	Clip pipe double
Pipe clips - LH Stg			
17	AAU7803	3	Clip pipe double
18	79127	3	Clip pipe double
19	NTC1177	1	Clip pipe double
	ADU6486L	1	Clip pipe double





Model DEFENDER XD ALL VARIANTS

Page YDHXCA5A

BRAKES - BRAKE PIPES - FRONT - 110

III. Part No. Description Qty Remarks

Master cylinder to front RH

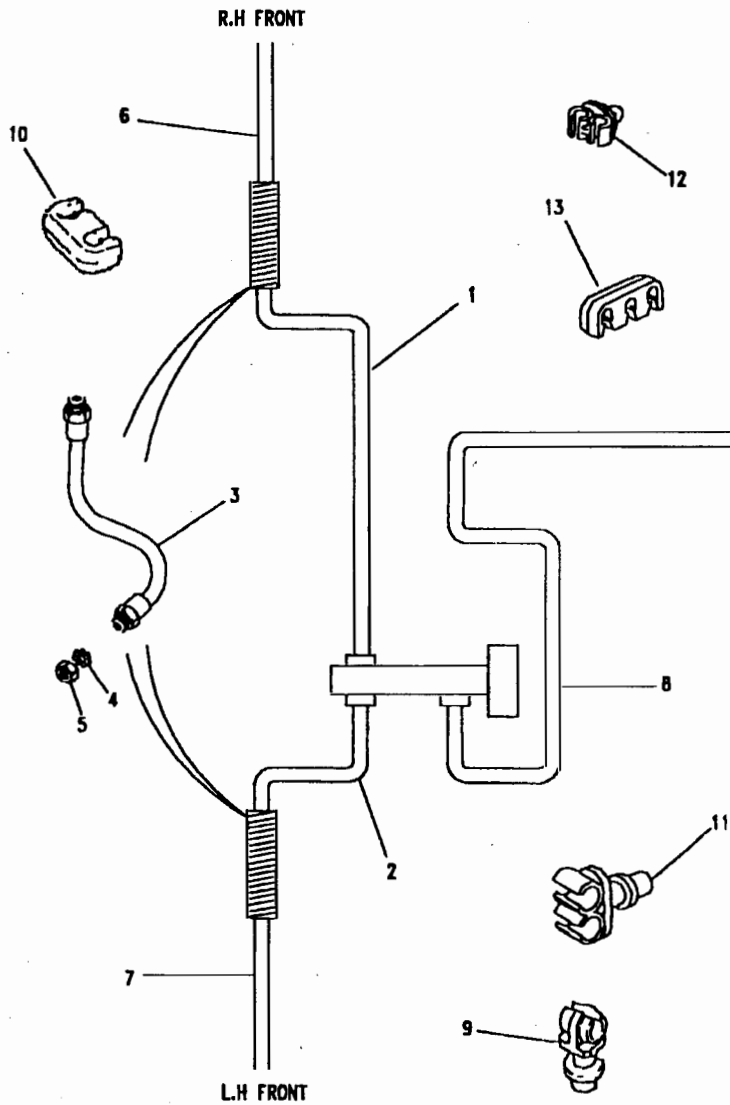
1	ANR3615	Pipe brake	1	RH Stg
	ANR2780	Pipe brake	1	LH Stg

Master cylinder to front LH

2	NTC9726	Pipe brake	1	RH Stg
	NTC5708	Pipe brake	1	LH Stg

All variants

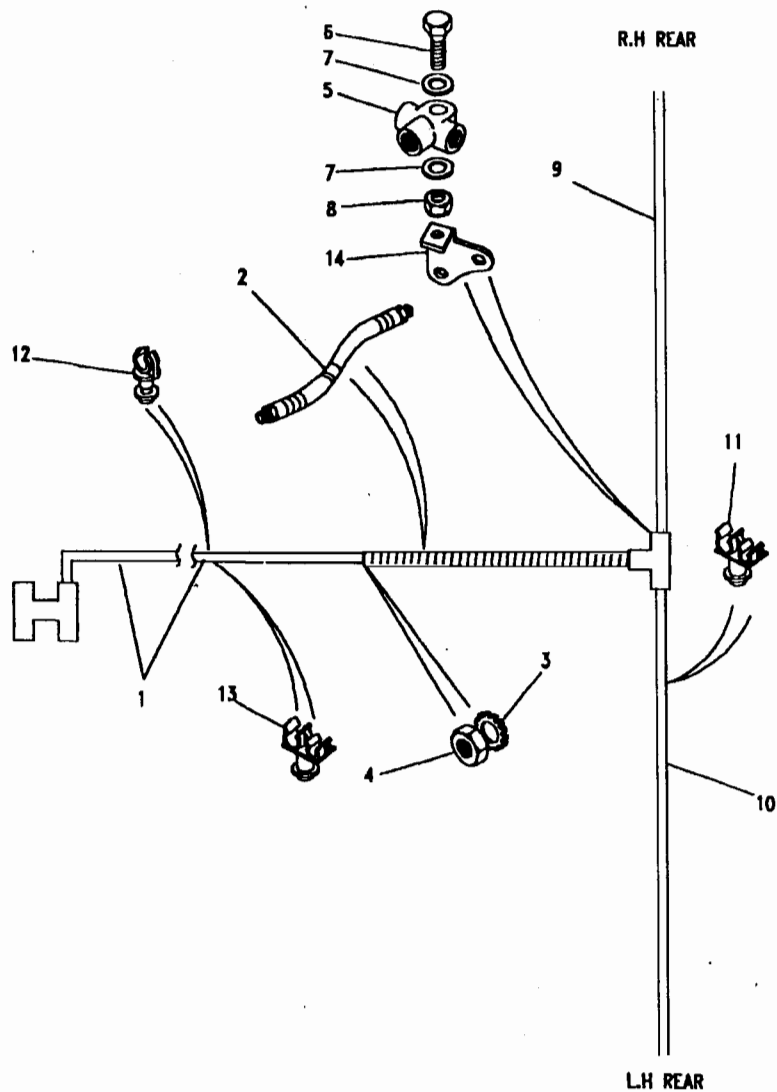
3	NRC7874	Hose brake	2	
4	WF110001L	Washer shakeproof	4	
5	CRC1487	Nut M10	4	
6	ANR2946	Brake pipe RH	1	
7	ANR2947	Brake pipe LH	1	
8	NTC8454	Pipe brake	1	RH Stg
		-m/cyl to connector		
	NTC8453	Pipe brake	1	LH Stg
		-m/cyl to connector		
9	79124	Clip pipe single	A/R	NLA use CRC1250L
	CRC1250L	Clip pipe single	A/R	
10	AAU7803	Clip pipe double	A/R	
11	NTC1175	Clip pipe double	A/R	
12	NTC1177	Clip pipe double	A/R	
13	ADU8846L	Clip pipe triple	A/R	





Model DEFENDER XD ALL VARIANTS
Page YDHXE3A

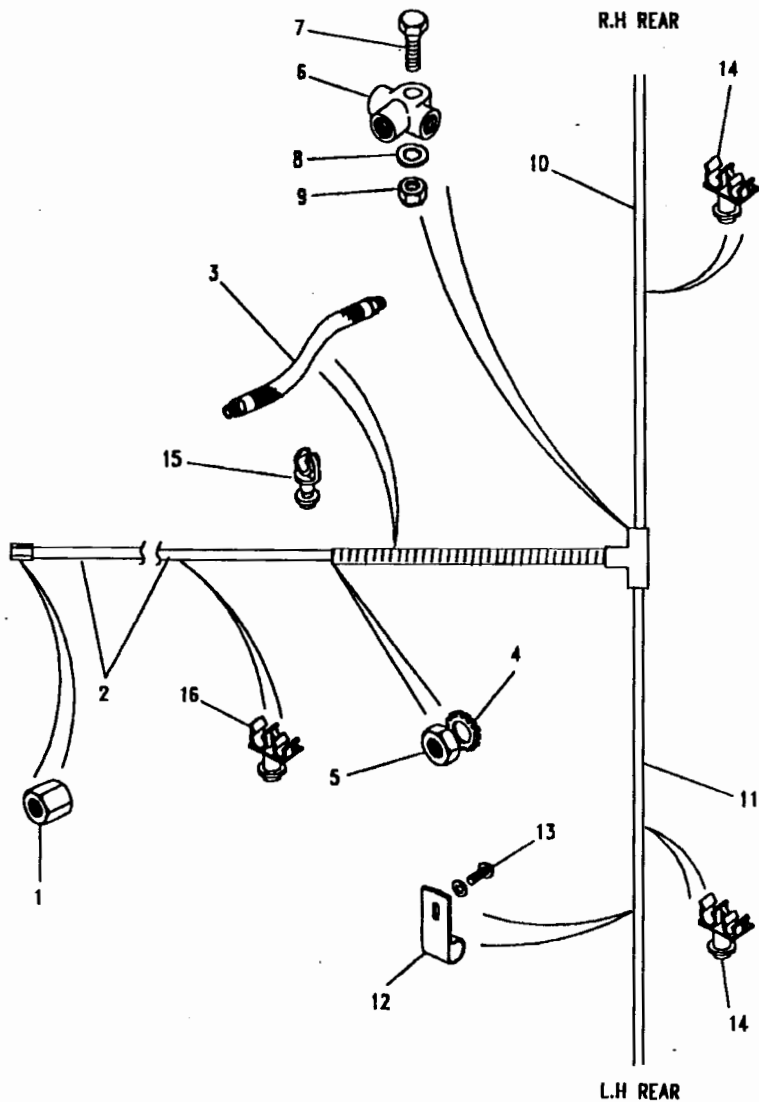
BRAKES - BRAKE PIPES - REAR - 90



III. Part No.	Description	Qty	Remarks
1	ANR2775	1	Pipe brake valve to rear
2	NRC9455	1	Hose brake
3	WF110001L	1	Washer shakeproof
4	CRC1487	1	Nut
5	NRC4251	1	Tee piece
6	BH106061L	1	Bolt M6 x 30
7	WA106041L	2	Washer plain 6mm
8	NH106041L	1	Nut M6
9	ANR4978	1	Pipe brake rear RH
10	ANR4979	1	Pipe brake rear LH
11	NTC8242	3	Clip pipe double
12	79124	3	Clip pipe single
	CRC1250L	3	Clip pipe single
13	79127	2	Pipe clip double
14	FTC4889	1	Bracket T piece to axle

NLA use CRC1250L

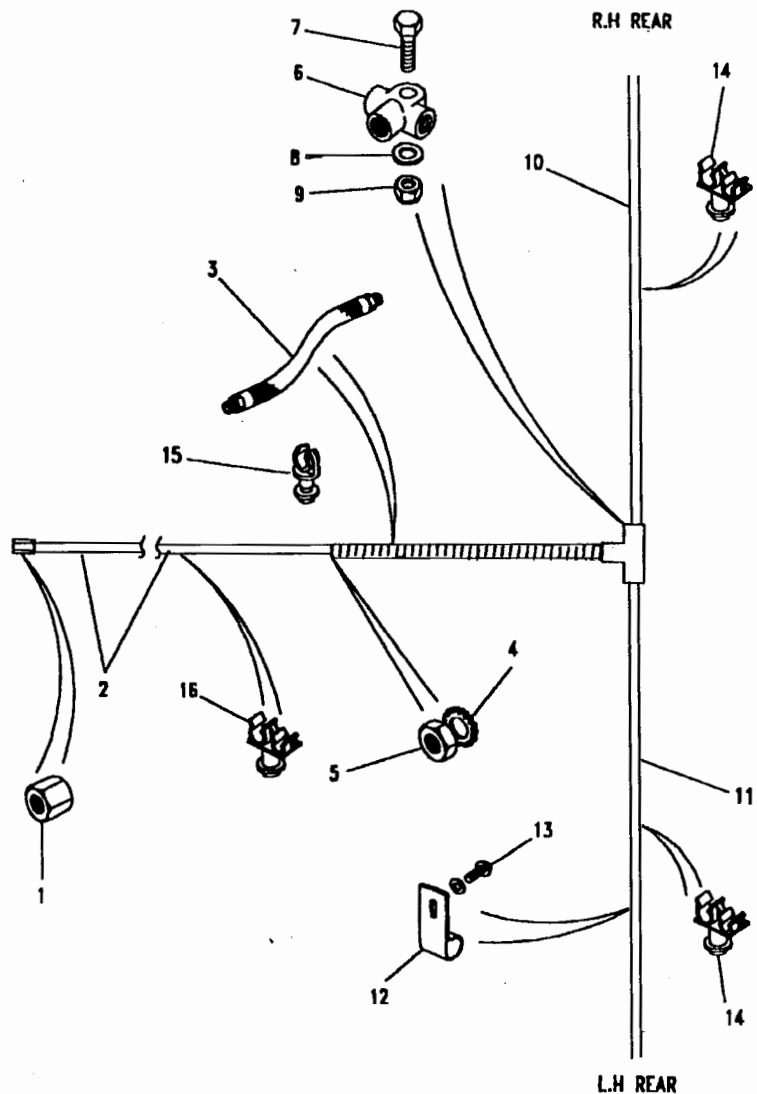




Model DEFENDER XD ALL VARIANTS
Page YDHXE4A

BRAKES - BRAKE PIPES - REAR - 110

III. Part No.	Description	Qty	Remarks
1	BMK2466	1	Connector
2	ANR4644	1	Pipe brake rear
3	NRC9456	1	Hose brake
4	WF110001L	1	Washer shakeproof
5	CRC1487	1	Nut locking M10
6	NRC4251	1	Tee piece
	FRC8775	1	Bracket mounting
7	BH106061L	1	Bolt M6 x 30
8	WA106041L	2	Washer plain M6
9	NH106041L	1	Nut M6
10	ANR4978	1	Pipe brake rear RH
11	ANR4979	1	Pipe brake rear LH
Fixings - LH pipe			
12	577873	1	Clip pipe
13	DA610051	1	Screw
14	NTC8242	1	Clip pipe double
Fixings - RH pipe			
14	NTC8242	1	Clip pipe double
Fixings - front to rear pipe			
15	79124	6	Clip pipe single
	CRC1250L	6	Clip pipe single
16	79127	2	Clip pipe double



Model DEFENDER XD ALL VARIANTS
Page YDHXE5A

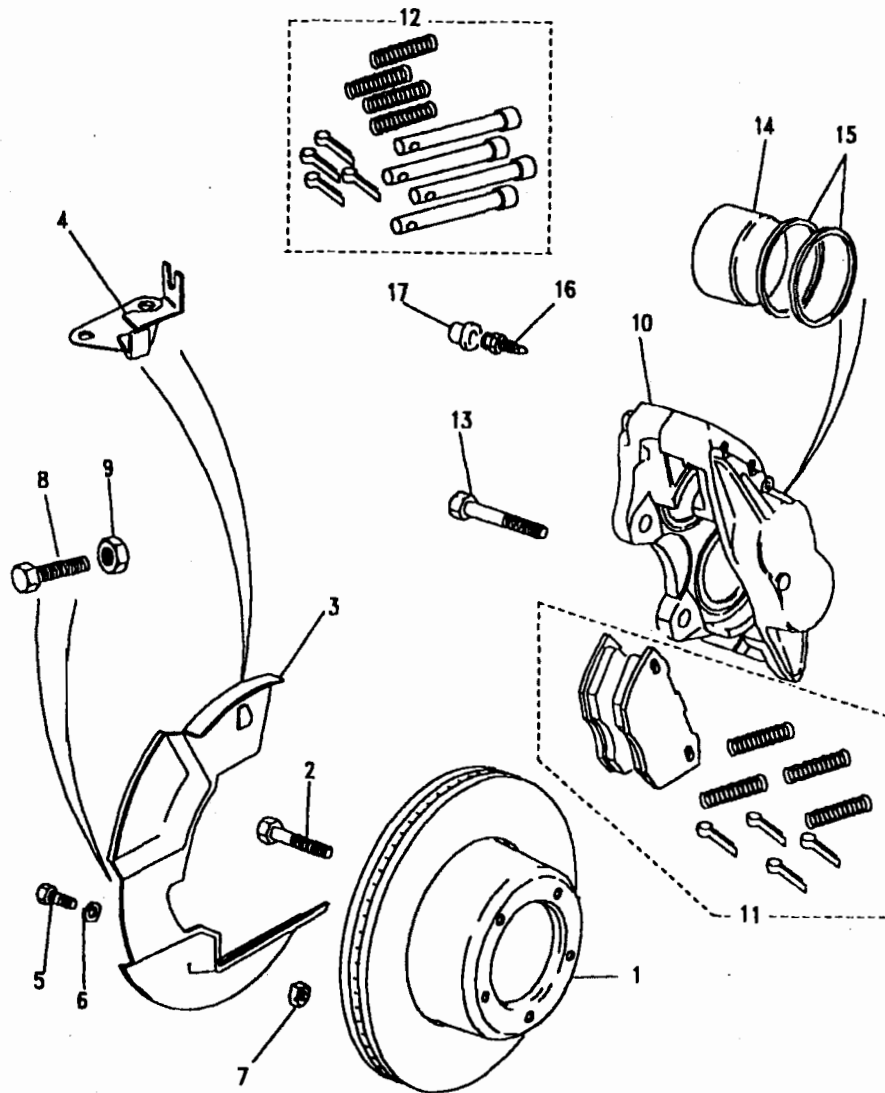
BRAKES - BRAKE PIPES - REAR - AMBULANCE

III. Part No.	Description	Qty	Remarks
1	BMK2466	1	Connector
2	ANR5484	1	Pipe brake front to rear
3	NRC9456	1	Hose brake
4	WF110001L	1	Washer shakeproof
5	CRC1487	1	Nut locking M10
6	NRC4251	1	Tee piece
	FRC8775	1	Bracket mounting
7	BH106061L	1	Bolt M6 x 30
8	WA106041L	2	Washer plain M6
9	NH106041L	1	Nut M6
10	ANR4978	1	Pipe brake rear RH
11	ANR4979	1	Pipe brake rear LH
Fixings - LH pipe			
12	577873	1	Clip pipe
13	DAG10051	1	Screw
14	NTC8242	1	Clip pipe double
Fixings - RH pipe			
14	NTC8242	1	Clip pipe double
Fixings - front to rear pipe			
15	79124	5	Clip pipe single
	CRC1250L	5	Clip pipe single
16	79127	6	Clip pipe double

Model DEFENDER XD ALL VARIANTS

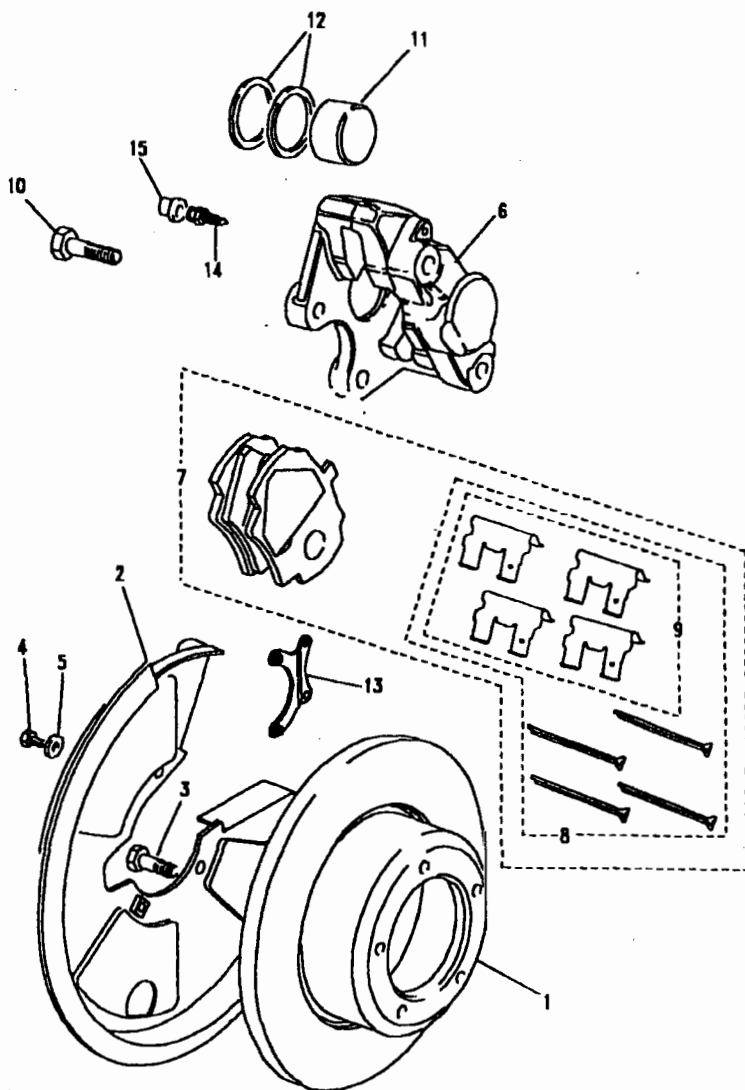
Page YDHXGA2A

BRAKES - DISC BRAKES - FRONT



III. Part No.	Description	Qty	Remarks
1	FTC902	2	
2	FTC1368	10	
3	FTC3278	1	
4	FTC3279	1	
4	FRC7202	1	
	FRC7201	1	
5	SH106121L	2	
6	WA106041L	2	
7	NH106045	2	
8	SH112505	2)Lockstop
9	NT112041L	2)
10	STC1266	1)Less pads
	STC1267	1)
11	STC1275	1)Axle set
12	STC8575	1)
13	FTC3375	4)
14	STC1280	2)Note(1)
15	AEU2539	2)
16	RTC1526	2)
17	594091	2)

Note(1) One kit services each caliper.



Model DEFENDER XD ALL VARIANTS
Page YDHXIA2A

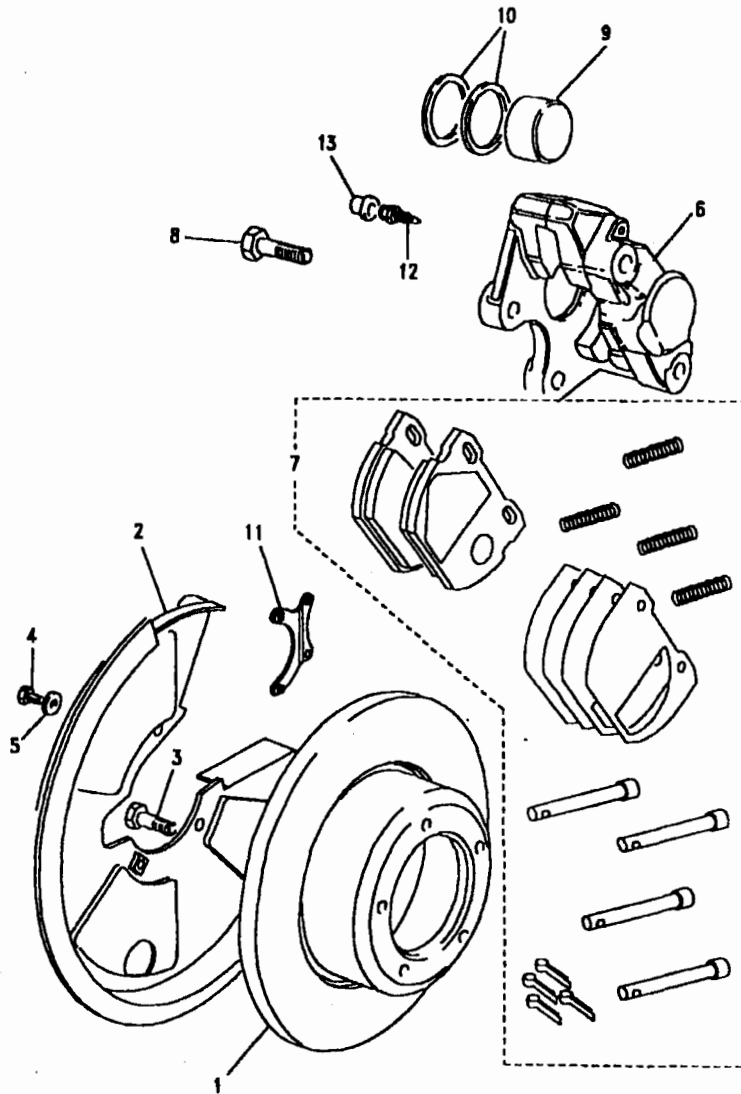
BRAKES - DISC BRAKES - REAR - 90

III. Part No.	Description	Qty	Remarks
1	FTC1381	2	
2	FTC3320	1	NLA use SMD100260
	SMD100260	1	
	FTC3321	1	NLA use SMD100270
	SMD100270	1	
3	FTC1368	10	
4	FS106207L	6	
5	2215L	6	
6	STC1264	1	
	STC1265	1	
7	STC1276	1)Axle set
8	STC8574	1)
9	AEU1861	1)
10	FTC3375	4	
11	STC1279	2)Note(1)
12	8G8587L	2)
13	FTC3299	2	
14	RTC1526	2	
15	594091	2	

Note(1) One kit services each caliper.

Model DEFENDER XD ALL VARIANTS
 Page YDHXIA3A

BRAKES - DISC BRAKES - REAR - 110



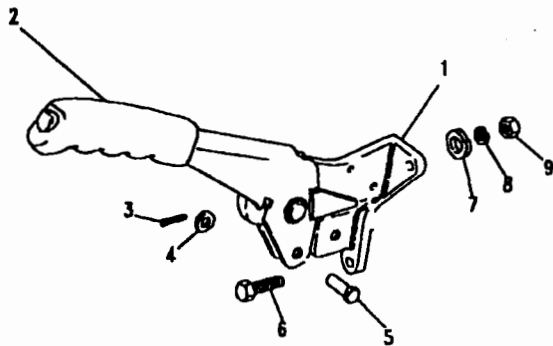
III. Part No.	Description	Qty	Remarks
1	FTC2805	2	
2	FTC4424	1	
	FTC4425	1	
3	FTC1368	10	
4	FS106207L	6	
5	2215L	6	
6	STC1268	1	
	STC1269	1	
7	STC1601	1	Axle set
8	FTC3375	4	
9	STC1281	2)Note(1)
10	STC1270	2)
	Kit caliper piston & seal	2	
11	FTC4465	2	
12	RTC1526	2	
13	594091	2	

Note(1) One kit services each caliper.

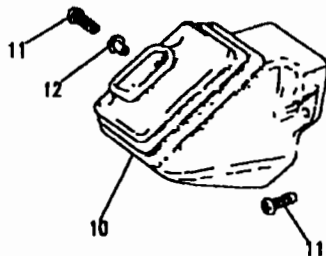


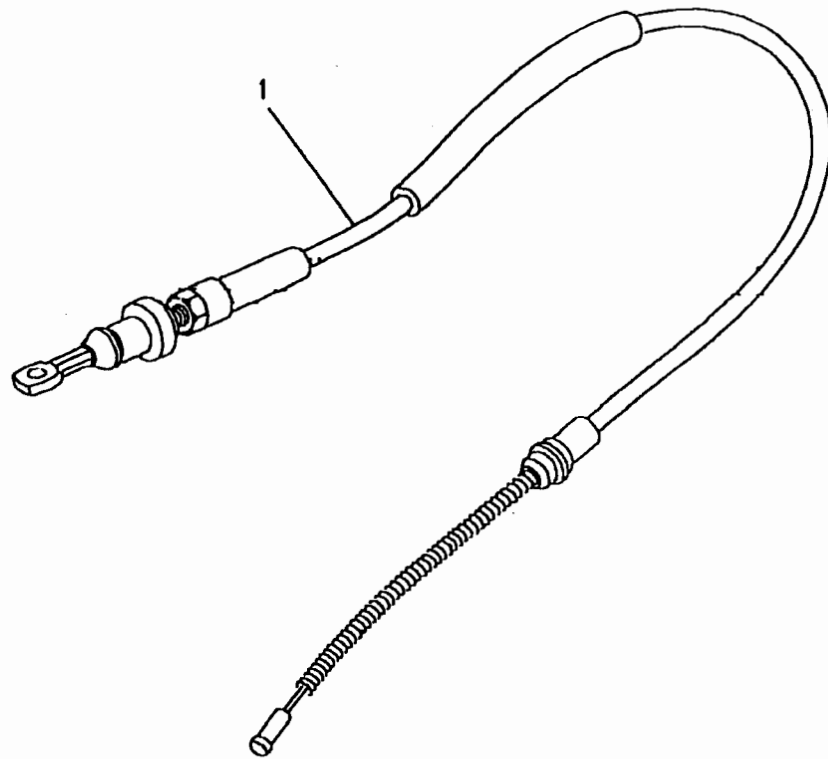
Model DEFENDER XD ALL VARIANTS
Page YDHXMA1A

BRAKES - HANDBRAKE LEVER



Ill. Part No.	Description	Qty	Remarks
1	ANR3692 ANR3693	1	RH Stg LH Stg
2	NRC2744	1	
3	PS104161	1	
4	WA108051L	1	
5	PC108291L	1	
6	SH108251	2	
7	WC108051L	2	
8	WL108051L	2	
9	NH108041L	2	
10	MRC9570 MRC9571	1	RH Stg LH Stg
11	AFU1897LDE	3	
12	MWC3136	1	



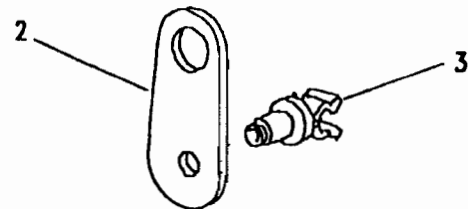


Model DEFENDER XD ALL VARIANTS
Page YDHXMA2A

BRAKES - HANDBRAKE CABLE

Ill. Part No.	Description	Qty	Remarks
1 STC1530	Cable handbrake	1	
2	Bracket	1)Note(1)
3	Clip plastic	1)

Note(1) For fixings cable to trans box (LHS only) see page 78 - 79





MASTER INDEX

	PAGES
INTRODUCTION PAGES	1 - 4
ALPHABETICAL INDEX	5 - 16
ENGINE	17 - 57
GEARBOX	58 - 74
TRANSFER BOX	75 - 90
AXLES AND SUSPENSION	91 - 129
STEERING	130 - 141
VEHICLE AND ENGINE CONTROLS	142 - 148
BRAKES	149 - 161
FUEL SYSTEM AND AIR CLEANER	162 - 179
EXHAUST SYSTEM	180 - 185
COOLING/HEATING	186 - 225
BODY ELECTRICAL	226 - 319
BODY AND CHASSIS	320 - 444
INTERIOR TRIM	445 - 459
SEATS	460 - 473
STOWAGE	474 - 482
ACCESSORIES - PAINTS	483 - 495
NUMERICAL INDEX	497 - 530

GROUP J

FUEL SYSTEM AND AIR CLEANER	
FUEL SYSTEM AND AIR CLEANER	
FUEL TANK - 90	163
FUEL TANK - 110	164
FUEL FILLER	165
FUEL FILLER - AMBULANCE	166
FUEL PIPES - 90	167
FUEL PIPES - 110	168
FUEL PIPES - AMBULANCE	169
FUEL FILTER	170
FUEL SEDIMENTOR - 90	171
FUEL SEDIMENTOR - 110	172
FUEL TANK BREATHER - WATERPROOF	173
AIR INTAKE	174
AIR INTAKE - RAISED - WATERPROOF	175
AIR CLEANER	176
AIR CLEANER - WATERPROOF	177
AIR CLEANER MOUNTINGS	178
AIR CLEANER VENT HARNESS - WATERPROOF	179



Model DEFENDER XD ALL VARIANTS

Page YDJXAA1A

FUEL SYSTEM - FUEL TANK - 90

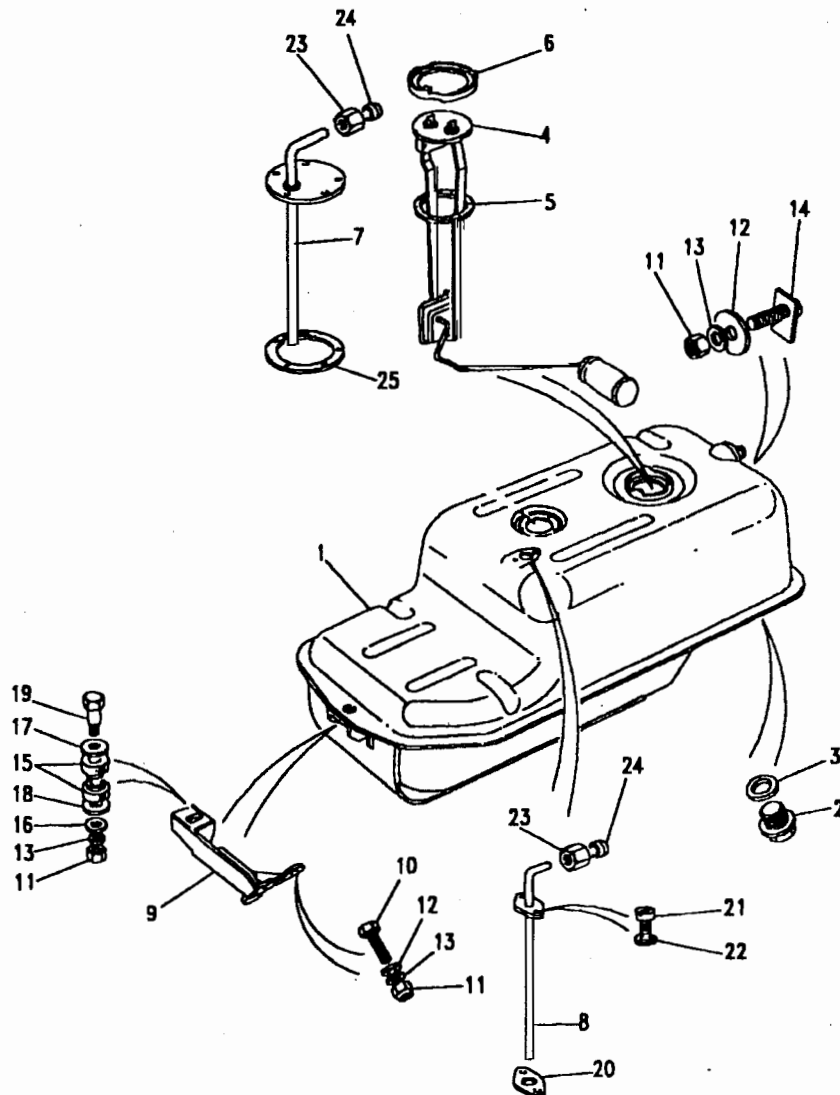
III. Part No. Description Qty Remarks

Fuel tank & sender unit

1	ESR2242	Tank fuel	1
2	NRC62	Plug drain	1
3	243958	Washer sealing	1
4	PRC8709	Fuel level unit	1
5	519965	Seal ring (level unit)	1
6	559247	Locking ring (level unit)	1
7	NTC2159	Pipe fuel feed	1
8	NRC9679	Pipe fuel return	1

Fixings

9	ESR2611	Fuel tank mtg/brkt	1
10	FS108307L	Screw flanged M8 x 30mm	6
11	NH108041L	Nut M8	6
12	WC108051L	Washer plain M8	5
13	WL108001L	Washer spring M8	3
14	NRC9682	Bolt plate	2
15	90508545	Bush	2
16	WA108051L	Washer plain	1
17	2265L	Washer plain	1
18	WP185L	Washer plain	1
19	NRC4765	Bolt stepped	1
20	ESR3277	Washer joint	1
21	3100	Screw	2
22	3101	Washer spring	2
23	NRC9770	Nut unionr	1
24	NRC9771	Olive 8mm	1
25	ESR3278	Sealing ring	1



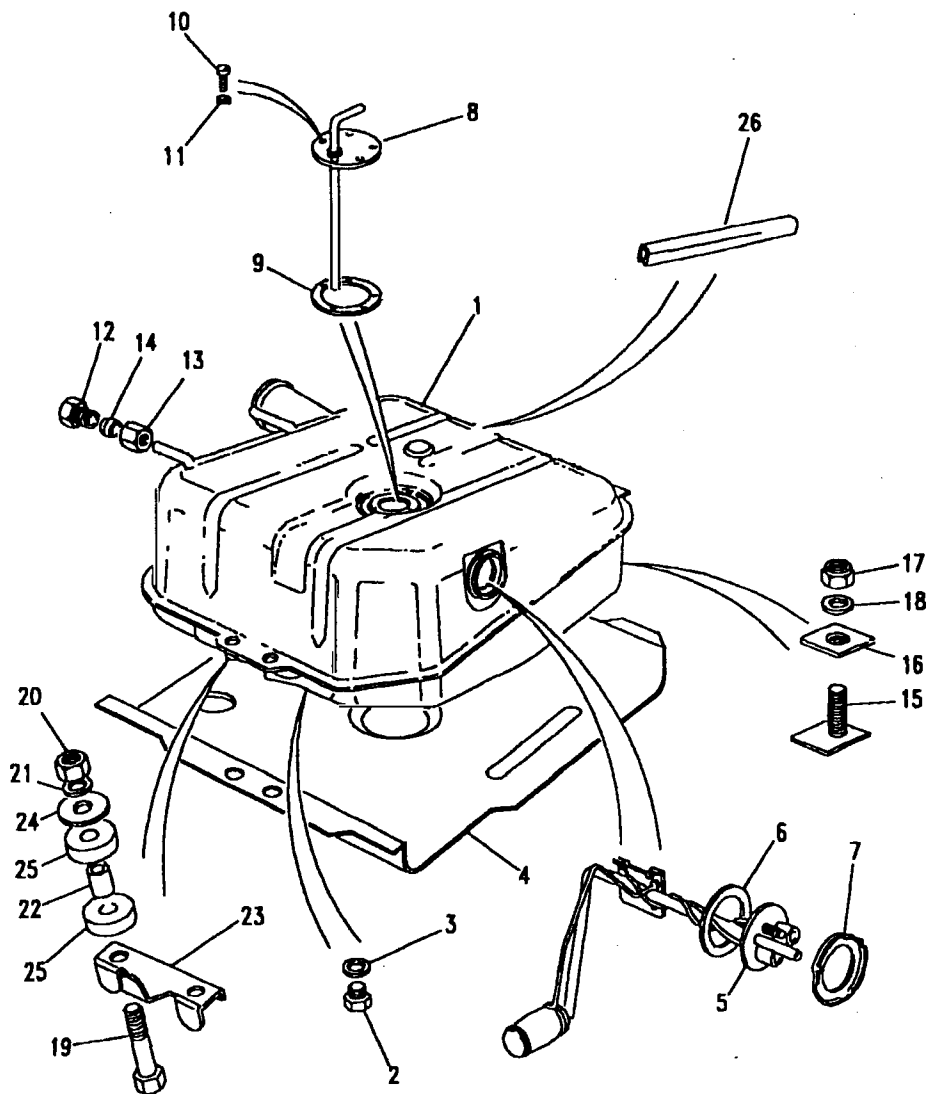


Model DEFENDER XD ALL VARIANTS

Page YDJXAA2A

FUEL SYSTEM - FUEL TANK - 110

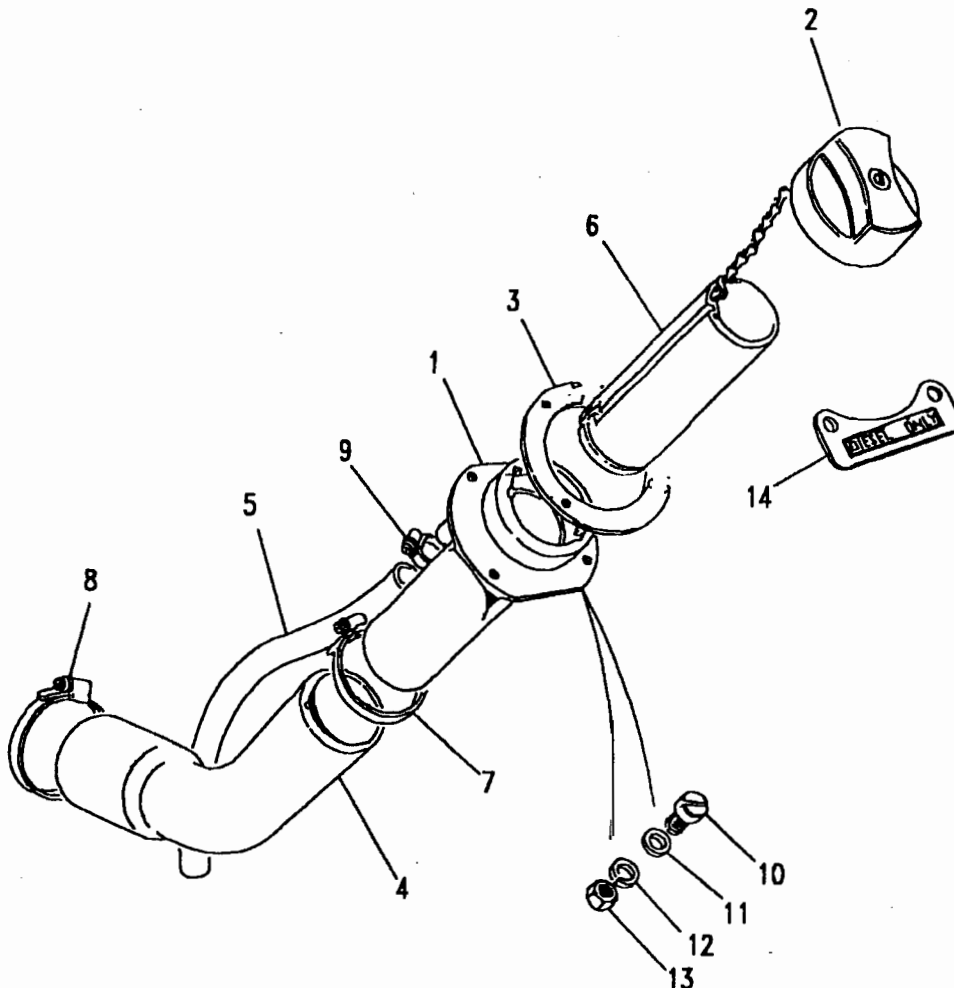
III. Part No.	Description	Qty	Remarks
1	ESR2243	1	Fuel tank
2	NRC62	1	Plug drain
3	243958	1	Washer sealing
4	ESR2204	1	Fuel tank cradle
5	AMR1495	1	Fuel tank gauge unit
6	519965	1	Sealing ring
7	559247	1	Locking ring
8	NTC2156	1	Spill pipe & plate
9	ESR3278	1	Sealing ring
10	SE105121L	5	Screw M5 x 12
11	WL105001	5	Washer spring M5
12	NTC1612	1	Plug
13	NRC9770	1	Nut union M12 female
14	NRC9771	1	Olive 8mm
15	NTC2681	2	Plate bolt
16	NTC2837	2	Spacer rear tank mtg
17	NY108041L	2	Nut M8 nyloc
18	WC108051	2	Washer plain M8
19	BH110091	2	Bolt M10 x 45
20	FN110047	2	Nut M10
21	WL110001L	2	Washer spring
22	NRC4757	2	Distance tube
23	NRC6097	1	Washer tab
24	WJ110007L	2	Washer plain
25	500447	4	Mounting rubber
26	570753	1	Strip edge protection



Model DEFENDER XD ALL VARIANTS

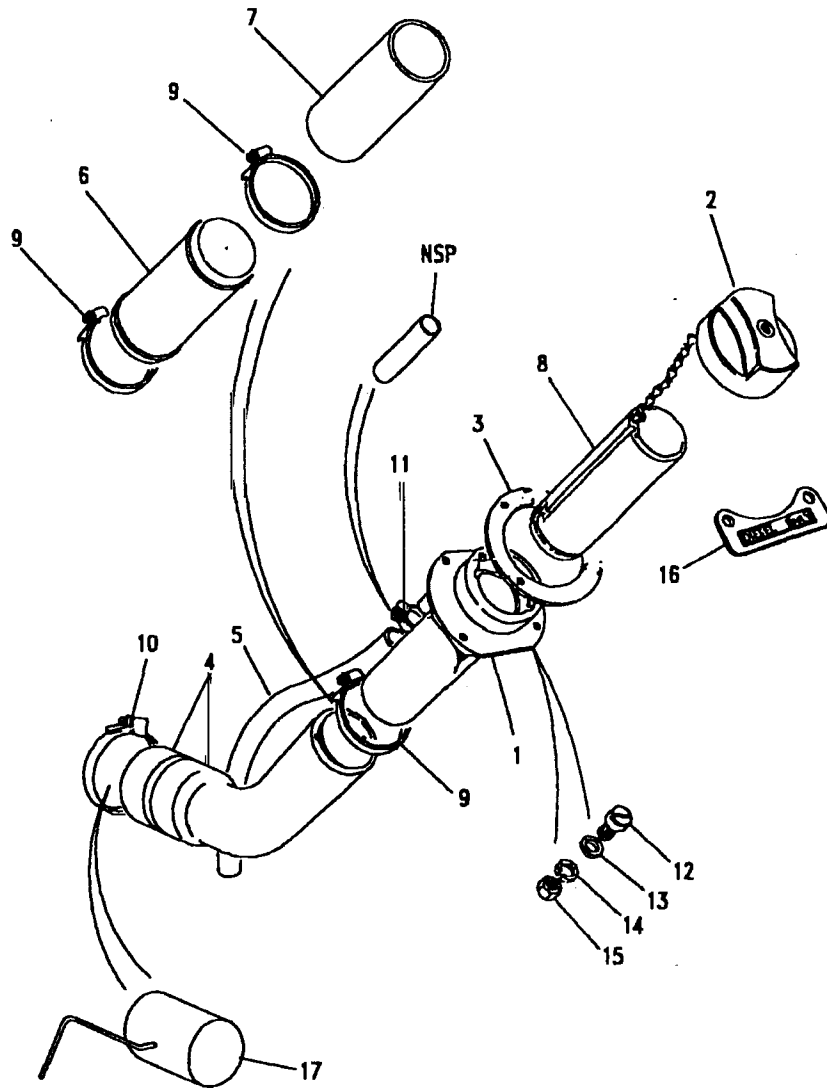
Page YDJXCA1A

FUEL SYSTEM - FUEL FILLER



III. Part No.	Description	Qty	Remarks
Fuel filler assembly			
1	NTC2676	1	Filler assembly fuel
2	STC4072	1	Cap fuel locking vented
	WLD100690	1	Cap fuel n/locking sealed
			Waterproof
3	ESR1650	1	Seal side filler
4	NTC2338	1	Hose side filler
	NTC2337	1	Hose side filler
			90
5	ESR1287	1	Hose breather
	MLH100410	1	Hose breather
			110
			Note(1&2)
6	NTC2655	1	Tube filler extension
			Note(1&3)
Fixings			
7	STC128	1	Clip hose 50-70mm
8	CN100908L	1	Clip hose 70-90mm
9	CN100168L	2	Clip hose 10-16mm
	CN100208L	2	Clip hose 14-20mm
			Note(2)
10	SE105161L	4	Screw pan hd M5 x 16
			Note(3)
11	WC105001	4	Washer plain M5
12	WL105001L	4	Washer spring M5
13	NH105041	4	Nut M5
14	502951	1	Label diesel

Note(1) Common breather hose - cut to length.
 Note(2) Up to WA149268
 Note(3) From WA149269



Model DEFENDER XD ALL VARIANTS
Page YDJXCA2A

FUEL SYSTEM - FUEL FILLER - AMBULANCE

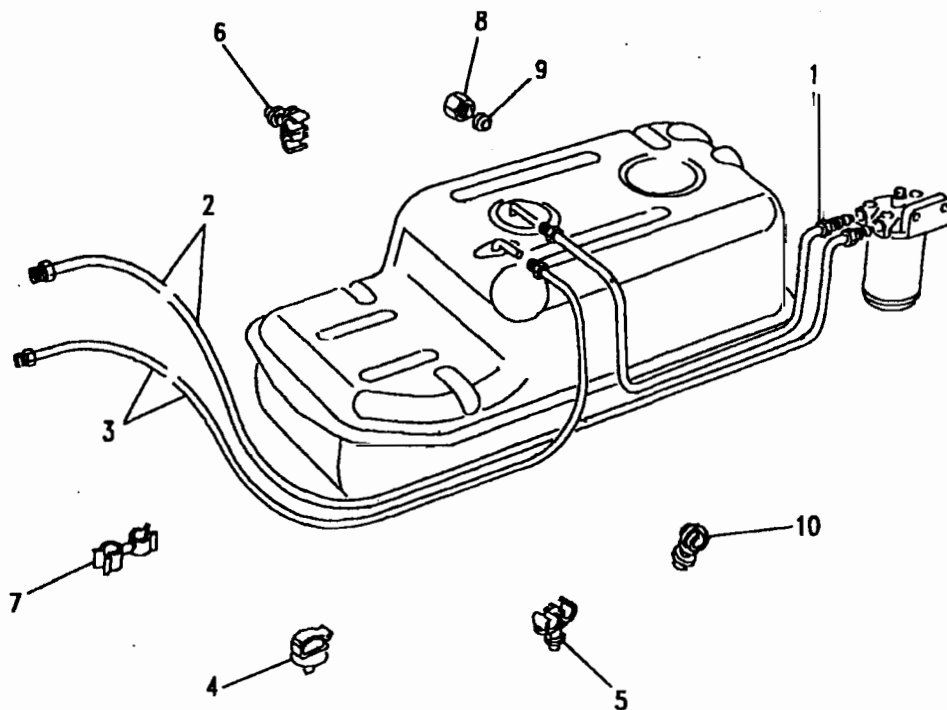
III. Part No.	Description	Qty	Remarks
Fuel filler assembly			
1	NTC2676	1	Filler fuel assembly
2	STC4072	1	Cap fuel locking vented
3	ESR1650	1	Seal fuel filler neck
4	RRC4418	1	Hose
5	ESR1287	1	Hose breather
	MLH100410	1	Hose breather
6	STC3438	1	Tube extension
7		1	Hose extension
8	NTC2655	1	Tube filler extension
Fixings			
9	STC128	6	Clip hose 50-70mm
10	CN100908	1	Clip hose 70-90mm
11	CN100168L	2	Clip hose 10-16mm
	CN100208L	2	Clip hose 14-20mm
12	SE105161L	4	Screw pan hd M5 x 16
13	WC105001	4	Washer plain M5
14	WL105001L	4	Washer spring M5
15	NH105041	4	Nut M5
16	502951	1	Label diesel
17	STC3439	1	Standpipe heater feed

Note(1) Common breather hose - cut to length.
 Note(2) Up to WA149268
 Note(3) From WA149269
 Note(4) Use RRC4418 - cut to length.

Model DEFENDER XD ALL VARIANTS

Page YDJXEC1A

FUEL SYSTEM - FUEL PIPES - 90



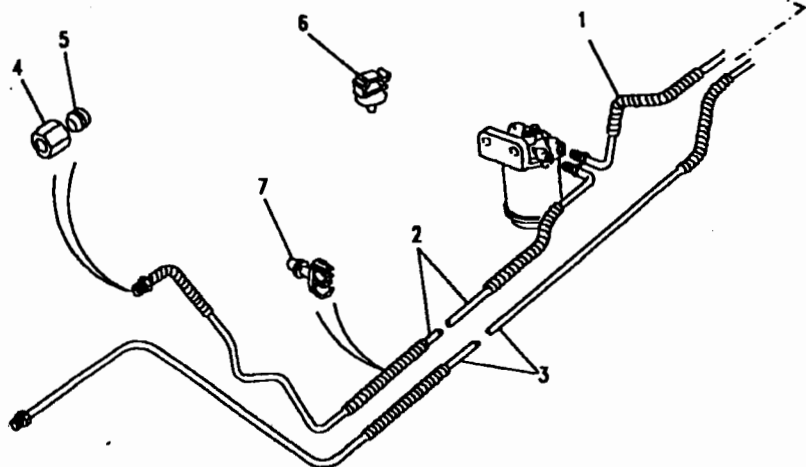
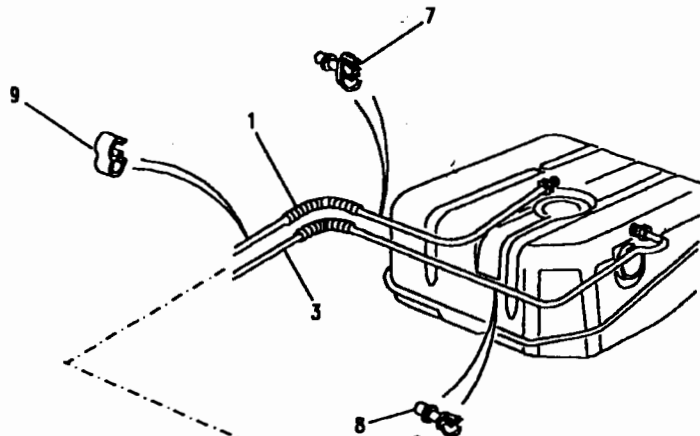
Ill. Part No.	Description	Qty	Remarks
Fuel pipes			
1 NTC4601	Pipe fuel -tank to sedimentor	1	
2 ESR3129	Pipe fuel -sedimentor to pump	1	
3 ESR3125	Pipe fuel -spill rail to tank	1	
Fixings			
4 AFU1090L	Pipe clip	1	
5 AFU1107	Pipe clip double	1	
6 ESR1373	Pipe clip double 8&10mm	1	
7 SYC10020	Pipe clip swivel	2	
8 NRC9770	Nut union M12 (female)	3	
9 NRC9771	Olive 8mm	3	
10 79121	Clip	1	



Model DEFENDER XD ALL VARIANTS
Page YDJXEC2A

FUEL SYSTEM - FUEL PIPES - 110

III. Part No.	Description	Qty	Remarks
Fuel pipes			
1 ESR4431	Pipe fuel -tank to sedimentor	1	
2 ESR3235	Pipe fuel -sedimentor to lift pump	1	
3 ESR4432	Pipe fuel -spill rail to tank	1	
Fixings			
4 NRC9770	Nut union M12 female	3	
5 NRC9771	Olive 8mm	3	
6 AFU1090L	Clip	1	
7 79158	Clip double	7	
8 79122	Clip single	1	
9 ESR1469	Clip pipe twin	1	



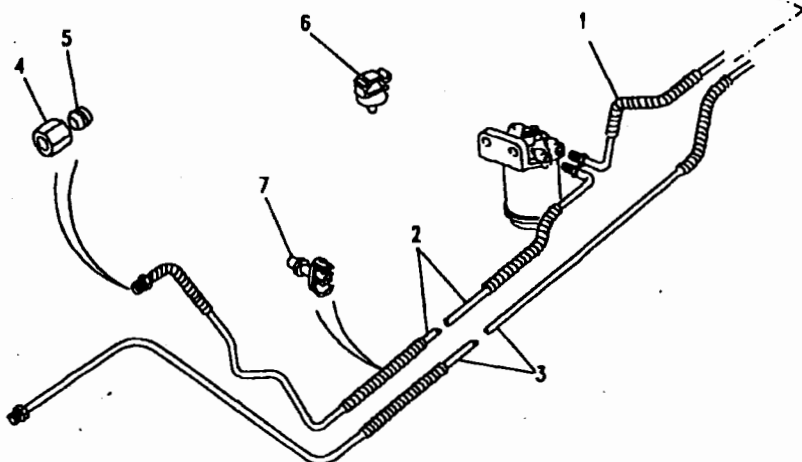
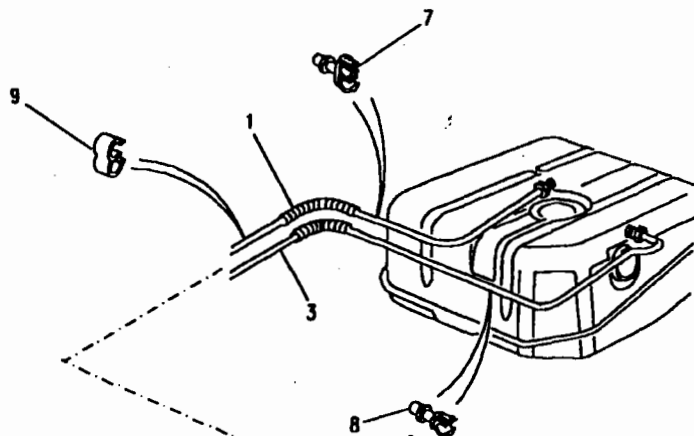


Model DEFENDER XD ALL VARIANTS

Page YDJXEC3A

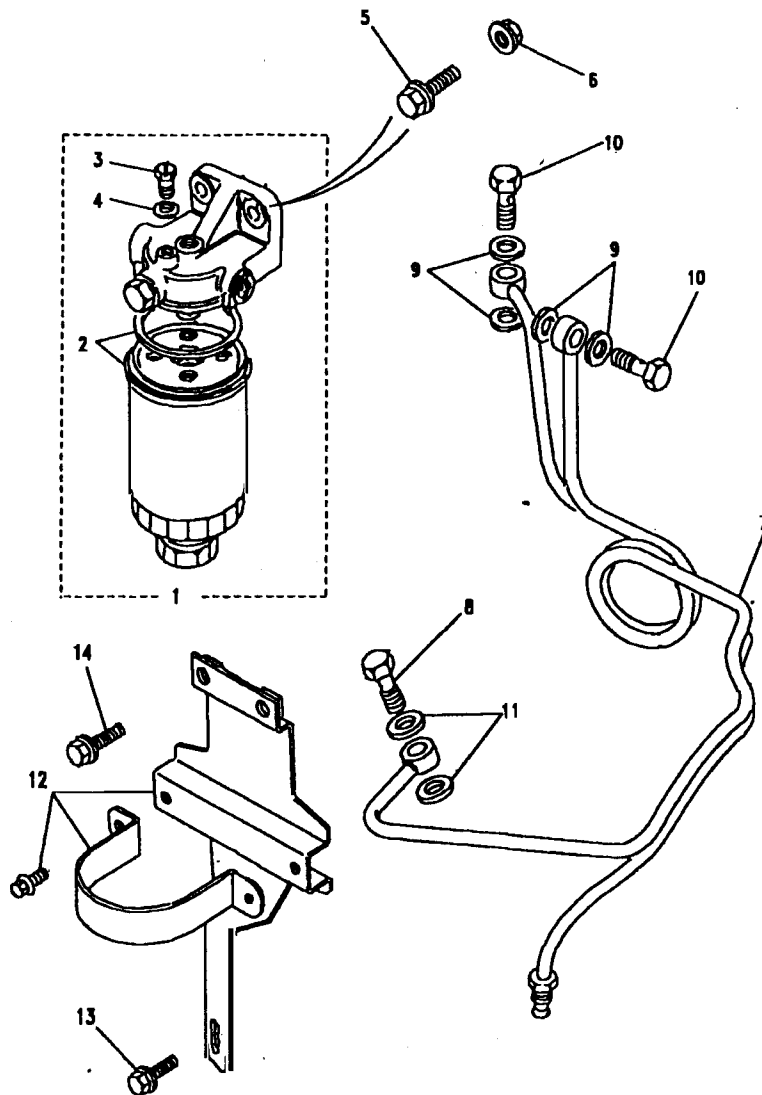
FUEL SYSTEM - FUEL PIPES - AMBULANCE

Ill. Part No.	Description	Qty	Remarks
Fuel pipes			
1 ESR3386	Pipe fuel -tank to sedimentor	1	
2 ESR3235	Pipe fuel -sedimentor to lift pump	1	
3 ESR3387	Pipe fuel -spill rail to tank	1	
Fixings			
4 NRC9770	Nut union M12 female	3	
5 NRC9771	Olive 8mm	3	
6 AFU1090L	Clip	1	
7 79158	Clip double	7	
8 79122	Clip single	1	
9 ESR1469	Clip pipe twin	1	



Model DEFENDER XD ALL VARIANTS
 Page YDJXGC2B

FUEL SYSTEM - FUEL FILTER

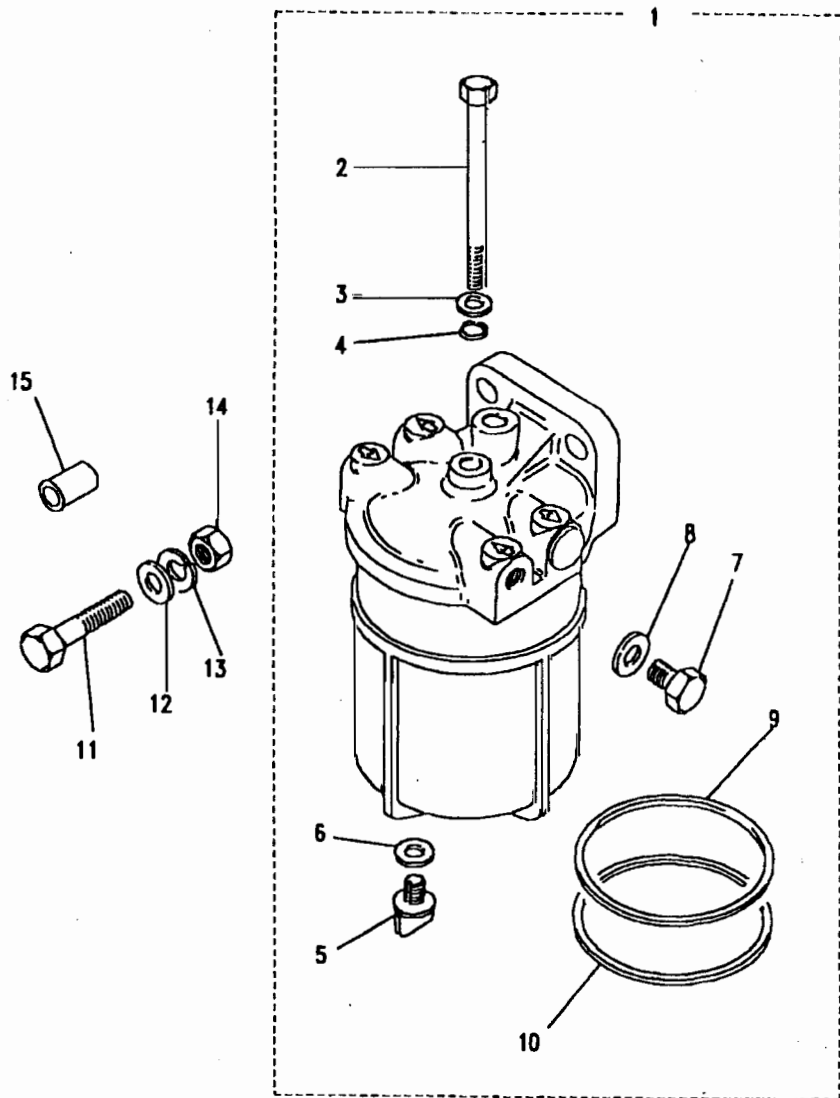


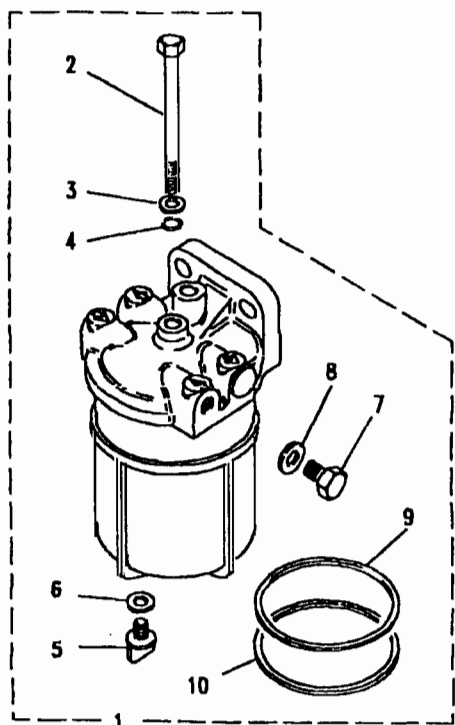
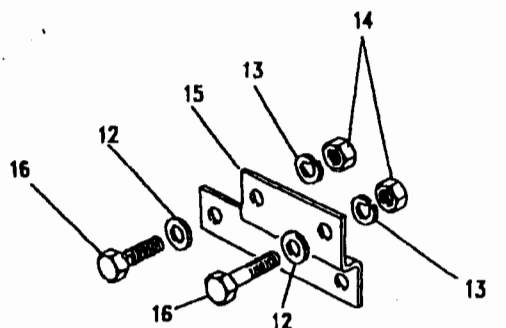
Ill. Part No.	Description	Qty	Remarks
1	NTC1518	1	Filter fuel
2	RTC5938	1	Element and seal
3	AEU2148L	1	Screw bleed
4	AEU2149L	1	Washer sealing
5	FS110301L	2	Screw flanged M10 x 30
6	FX110041	2	Nut flanged M10
7	ESR3118	1	Pipe fuel twin
8	ERR1125	1	Banjo bolt
9	ESR354	4	Washer copper
10	NTC3346	2	Bolt banjo
11	ERR894	2	Washer joint
12	ESR3458	1	Bracket fuel filter
	FS106167L	1	Screw M6 x 16
13	FS108207L	1	Screw flanged M8 x 20
14	FS108307L	1	Screw flanged M8 x 30

Model DEFENDER XD ALL VARIANTS
 Page YDJXGC3A

FUEL SYSTEM - FUEL SEDIMENTOR - 90

III. Part No.	Description	Qty	Remarks
1	NRC9708 Sedimentor	1	
2	37H8119 Bolt	1	
3	522940 Washer	1	
4	37H770 O Ring	1	
5	37H7920 Plug drain	1	
6	605011 Seal	1	
7	517689 Plug blanking	1	
8	517706 Washer joint	1	
9	AAU9903 Seal top	1	
10	AAU9902 Seal bottom	1	
11	FS108307L Screw M8 x 30	2	
12	WA108051L Washer plain M8	2	
13	WL108001L Washer spring M8	2	
14	FN108047L Nut M8	4	
15	NN108021 Nutsert	1	





Model DEFENDER XD ALL VARIANTS
Page YDJXGC4A

FUEL SYSTEM - FUEL SEDIMENTOR - 110

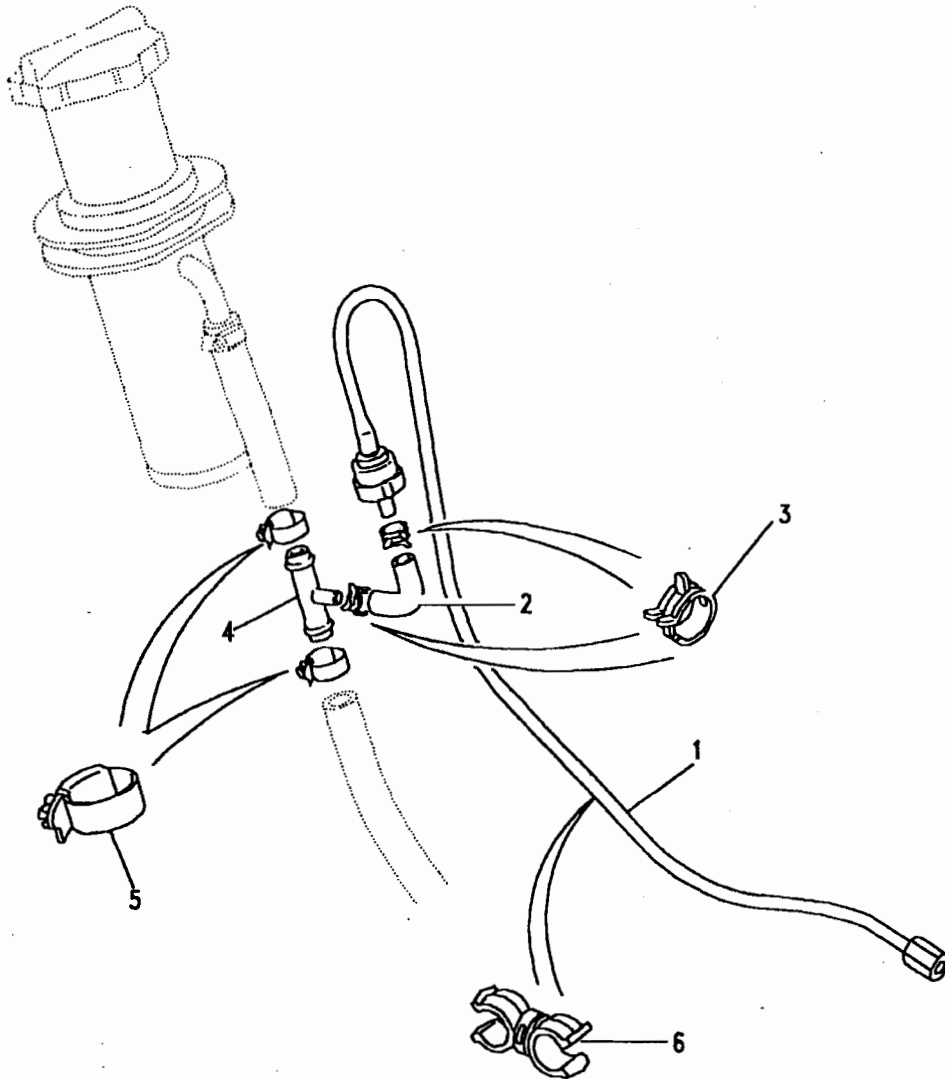
III. Part No.	Description	Qty	Remarks
1	NRC9708	1	Sedimentor
2	37H8119	1	Bolt
3	522940	1	Washer
4	37H770	1	O Ring
5	37H7920	1	Plug drain
6	605011	1	Seal
7	517689	1	Plug blanking
8	517706	1	Washer joint
9	AAU9903	1	Seal top
10	AAU9902	1	Seal bottom
11	FS108307L	2	Screw M8 x 30
12	WA108051L	2	Washer plain M8
13	WL108001L	2	Washer Spring M8
14	NH108041L	4	Nut M8
15	NRC7372	1	Bracket mounting sedmnt
16	SH108201	2	Screw M8 x 20
12	WA108051L	2	Washer plain M8
13	WL108001L	2	Washer spring M8



Model DEFENDER XD ALL VARIANTS
Page YDJXIC1A

FUEL SYSTEM - FUEL TANK BREATHER - WATERPROOF

III. Part No.	Description	Qty	Remarks
Fuel tank breather pipe - waterproof vehicles			
1 WFP102120	Pipe fuel tank vent	1	90
WFP102130	Pipe fuel tank vent	1	110
2 STC4308	Elbow rubber	1	
3 UKC3803L	Clip spring	2	
4 NRC2652	Tee piece	1	
5 CN100208L	Clip hose 14-20mm	2	
6 AFU1077L	Clip pipe	6/9	90/110

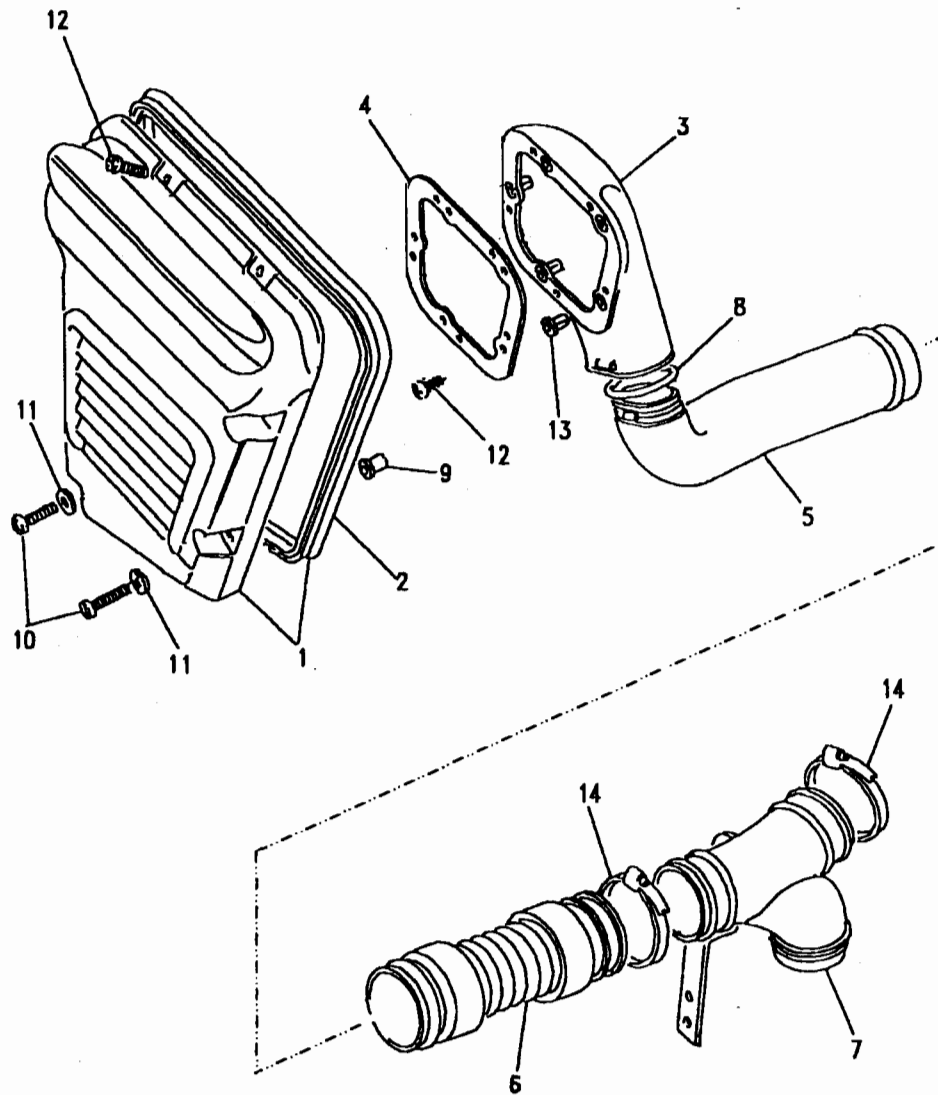


Model DEFENDER XD ALL VARIANTS

Page YDJXPC5B

FUEL SYSTEM - AIR INTAKE

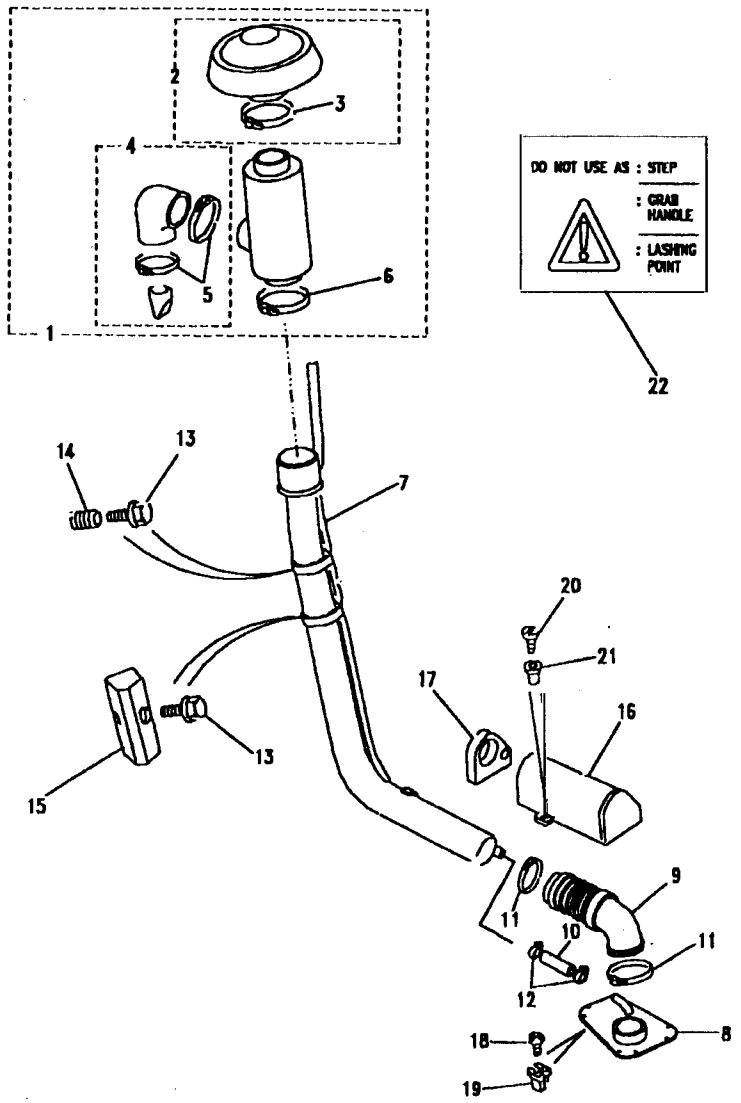
III. Part No.	Description	Qty	Remarks
Air Intake			
1	ESR4570	1	Grille air intake RH
	ESR4569	1	Grille air intake LH
2	ESR3282	2	Seal grille/body
3	ESR3173	1	Duct air upper RH
	ESR2427	1	Duct air upper LH
4	ESR3284	1	Seal duct/body RH
	ESR3283	1	Seal duct/body LH
5	ESR3175	1	Elbow duct/pipe RH
	ESR2429	1	Elbow duct/pipe LH
6	ESR3028	2	Pipe elbow/dump valve
7	ESR3162	1	Dump valve RH
	ESR3163	1	Dump valve LH
8	ESR3285	1	O ring elbow/duct upper
Fixings			
9	ASR1185	7	Nutsert grille/wing
10	SE105351L	7	Screw M5 x 35
11	ESR3857	5	Washer plain M5
12	AB608047L	5	Screw No.8 x 1/2"
13	AFU1926L	5	Nut captive
14	STC128	3	Clip hose 50-70mm





Model DEFENDER XD ALL VARIANTS
Page YDJXPC6A

FUEL SYSTEM - AIR INTAKE - RAISED - WATERPROOF



III. Part No.	Description	Qty	Remarks
Raised air intake & precleaner			
1	PHB102520	1	Precleaner assembly
2	PHB102610	1	Cap
3	CN101108L	1	Clip hose 90-110mm
4	PHB102620	1	Dump valve
5	CN100908L	2	Clip hose 70-90mm
6	CN101108L	1	Clip hose 90-110mm
7	PHO100000	1	Pipe assy air cleaner
8	PHL100090	1	Plate assy
9	PHH100310	1	Pipe air cleaner
10	PHH100320	1	Breather tube
11	CN100808L	2	Clip hose 60-80mm
12	CN100258L	2	Clip hose 16-25mm
13	FS106207L	4	Screw M6 x 20
14	STC4310	2	Insert threaded M6
	ML106015	2	Insert threaded M6
15	AFQ710010	2	Nut retaining special
16	PJR100040	1	Cover hose
17	PKX100050	1	Seal foam
18	AB608068	7	Screw No8 x 3/4
19	RTC3745	7	Nut lokut
20	SE105161L	1	Screw M5 x 16
21	ASR1185	1	Nutsert M5
22	STC4366	2	Label warning

Note(1) Standard - as factory fitted.
 Note(2) Oversize - for repair only.
 Note(3) Warning - do not use as step/grab-handle/lashing point.





Model DEFENDER XD ALL VARIANTS
Page YDJXPC3B

FUEL SYSTEM - AIR CLEANER

III. Part No. Description Qty Remarks

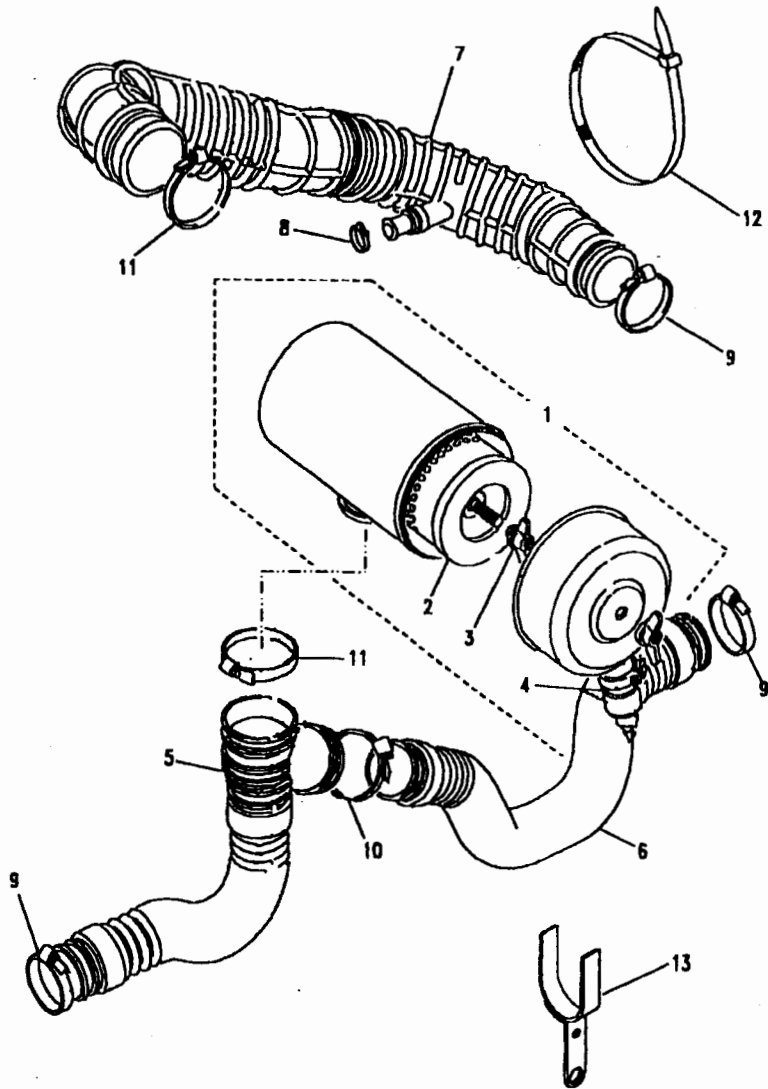
Air cleaner and hoses

1	ESR3286	Air cleaner assembly	1	
2	ESR2747	Air filter element	1	
3	NRC9239	Nut & gasket	2	
4	NRC8955	Dump valve	1	
5	ESR2430	Hose intake RH	1	
6	ESR2431	Hose intake LH	1	
7	ESR2731	Hose air cleaner/turbo	1	Note(1)
	ESR3111	Hose air cleaner/turbo	1	Note(2)

Fixings

8	CN100258L	Clip hose 16-25mm	1	
9	STC128	Clip hose 50-70mm	3	
10	CN100808L	Clip hose 60-80mm	1	
11	CN100908L	Clip hose 70-90mm	2	
12	ESR3301	Tie flexible	2	
13	ESR3483	Bracket hose support	1	

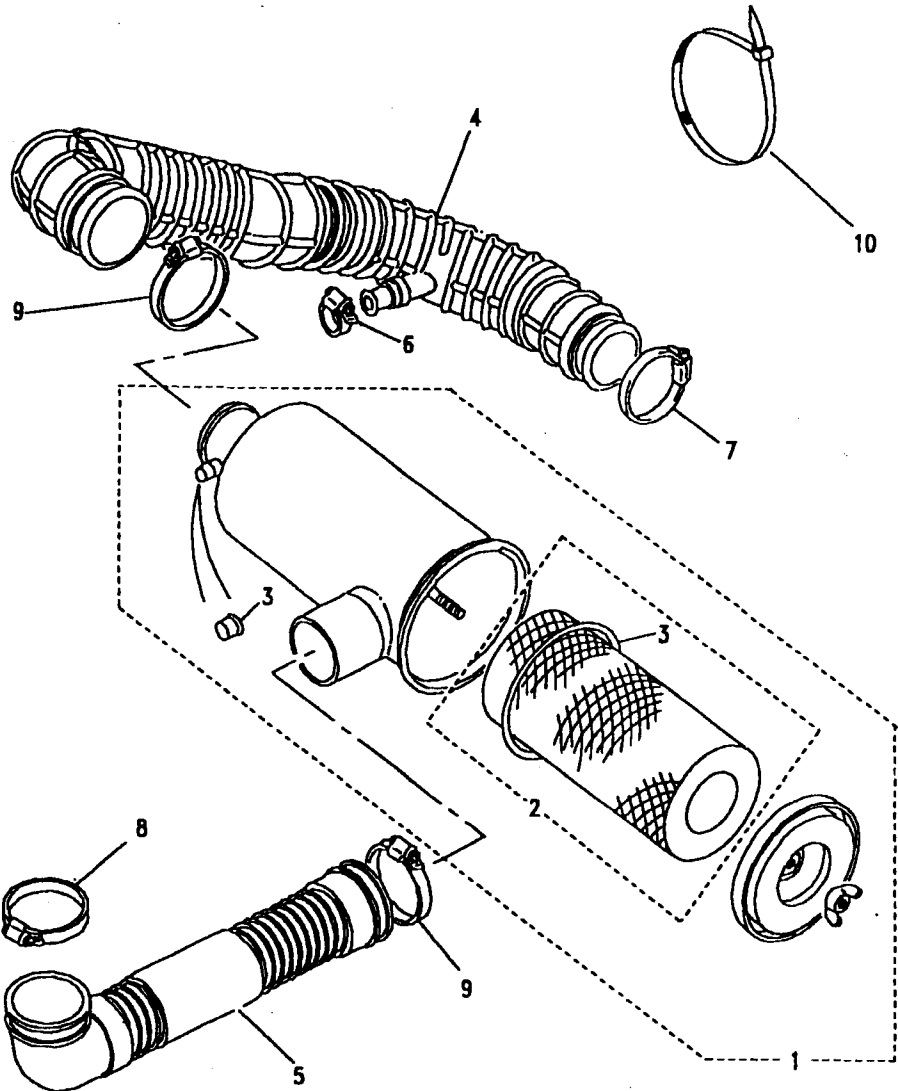
Note(1) Non EGR - engine prefix 15L
Note(2) EGR - engine prefix 25L



Model DEFENDER XD ALL VARIANTS
Page YDJXPC3A

FUEL SYSTEM - AIR CLEANER - WATERPROOF

III. Part No.	Description	Qty	Remarks
Air cleaner and hoses - waterproof			
1	PHB102510 Air cleaner assembly	1	
2	PHE100490 Element & seal filter	1	
3	JAE100130 Seal filter & valve cap	1	
4	ESR3111 Hose air cleaner/turbo	1	
5	PHH100300 Pipe air cleaner	1	
Fixings			
6	CN100258L Clip hose 16-25mm	1	
7	STC128 Clip hose 50-70mm	1	
8	CN100808L Clip hose 60-80mm	1	
9	CN100908L Clip hose 70-90mm	2	
10	ESR3301 Tie flexible	2	



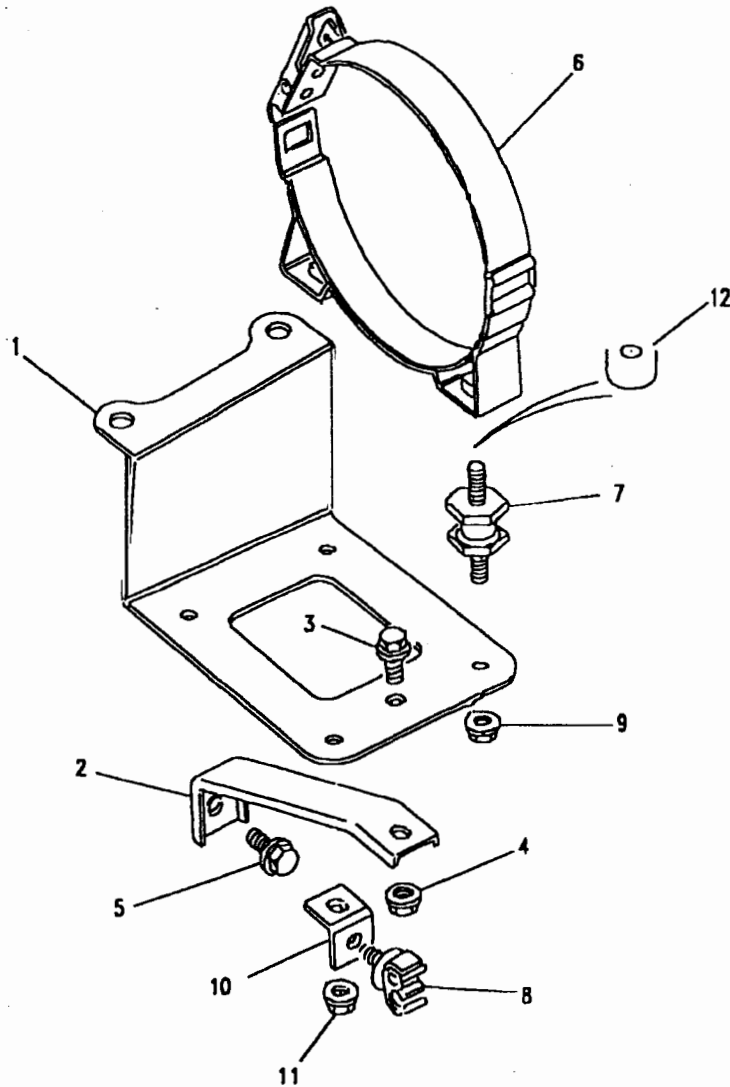


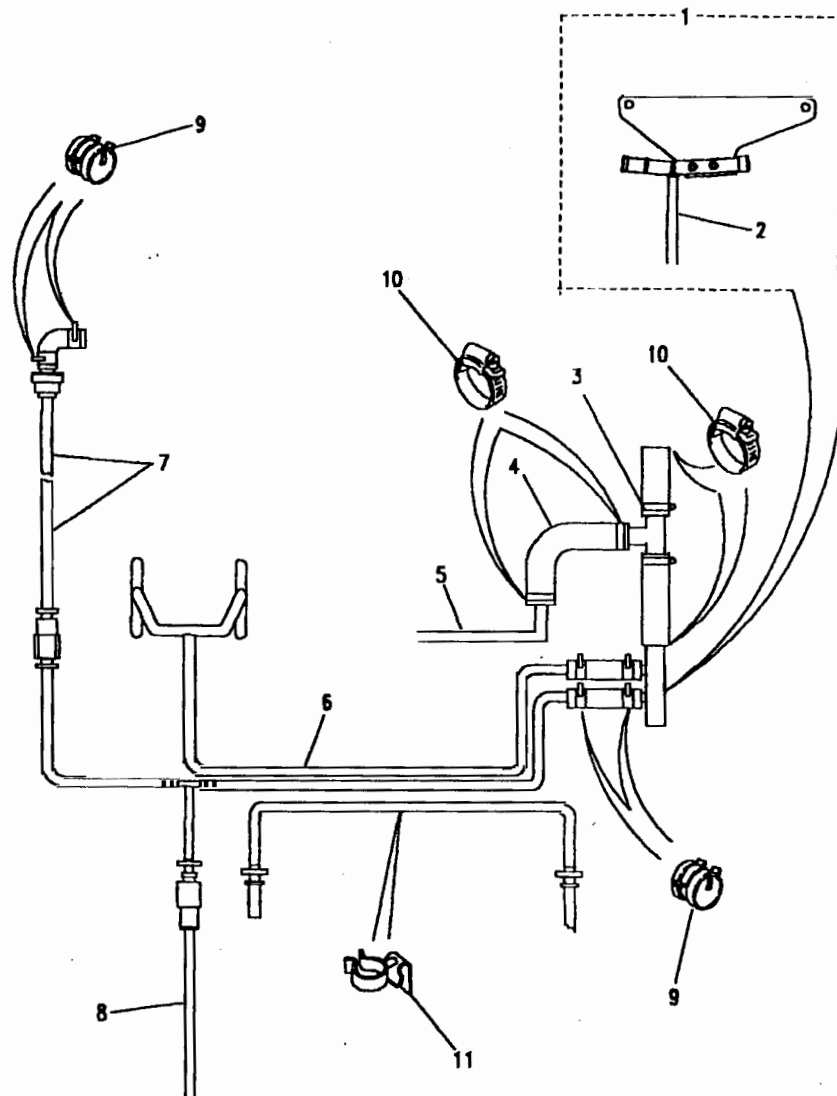
Model DEFENDER XD ALL VARIANTS

Page YDJXPC3C

FUEL SYSTEM - AIR CLEANER MOUNTINGS

III. Part No.	Description	Qty	Remarks
Air cleaner mountings			
1	ERR2850	1	Bracket mounting
2	ERR2851	1	Strut air cleaner bracket
3	FS108161L	1	Screw flanged
4	FN108047L	1	Nut flanged
5	FS108207L	1	Screw flanged
6	ERR4688	2	Strap air cleaner
7	ERR2337	4	Mounting rubber
8	ESR1373	1	Clip pipe
9	FN106047L	2	Nut flanged
10	NRC2089	1	Rear mounting bracket
11	FN106047L	2	Nut flanged
12	MYF100830	2	Spacer Waterproof





Model DEFENDER XD ALL VARIANTS
Page YDJXPC7A

FUEL SYSTEM - AIR CLEANER VENT HARNESS - WATERPROOF

III. Part No.	Description	Qty	Remarks
1 PJO100030	Manifold breather	1	
2 PJA100010	Pipe assy manifold drain	1	
3 PHH100330	Breather tube assembly	1	
4 IRN100000	Elbow rubber	1	
5	Pipe elbow breather	1	Note(1)
6 PKH100000	Harness ventilation	1	
7 PKH100010	Pipe PAS reservoir vent	1	
8	Pipe fuel tank vent	1	Note(2)
9 UKC3803L	Clip spring	6	
10 CN100258L	Clip hose 16-25mm	4	
11 PRC5681	Clip pipe	2	

Note(1) For servo breather pipe see page 146
Note(2) For fuel tank breather pipe see page 173



MASTER INDEX

GROUP K

EXHAUST SYSTEM

INTRODUCTION PAGES	PAGES
ALPHABETICAL INDEX	1 - 4
ENGINE	5 - 16
GEARBOX	17 - 57
TRANSFER BOX	58 - 74
AXLES AND SUSPENSION	75 - 90
STEERING	91 - 129
VEHICLE AND ENGINE CONTROLS	130 - 141
BRAKES	142 - 148
FUEL SYSTEM AND AIR CLEANER	149 - 161
EXHAUST SYSTEM	162 - 179
COOLING/HEATING	180 - 185
BODY ELECTRICAL	186 - 225
BODY AND CHASSIS	226 - 319
INTERIOR TRIM	320 - 444
SEATS	445 - 459
STOWAGE	460 - 473
ACCESSORIES - PAINTS	474 - 482
NUMERICAL INDEX	483 - 495
	497 - 530

EXHAUST SYSTEM

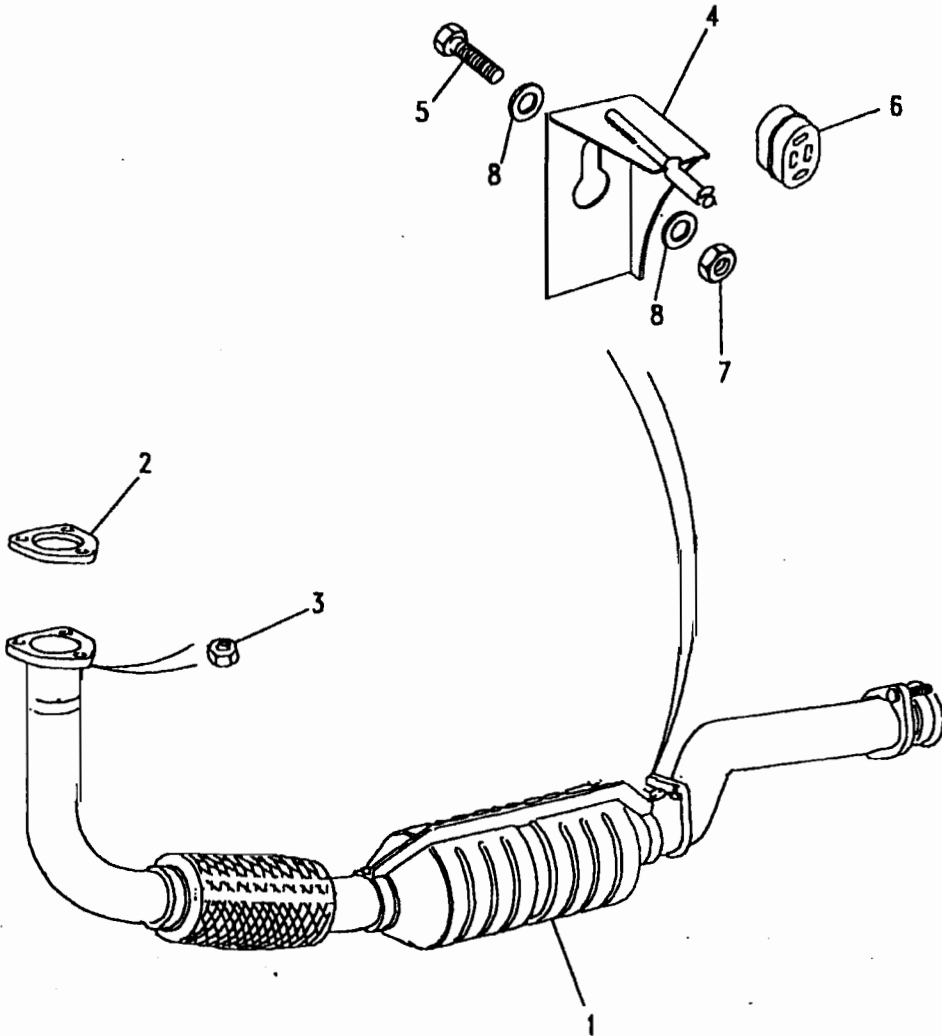
EXHAUST PIPE - FRONT	181
EXHAUST PIPE - FRONT - AMBULANCE	182
EXHAUST PIPE - REAR - 90	183
EXHAUST PIPE - REAR - 110	184
EXHAUST PIPE - REAR - AMBULANCE	185



Model DEFENDER XD ALL VARIANTS
 Page YDKXDE1A

EXHAUST SYSTEM - EXHAUST PIPE - FRONT

Ill. Part No.	Description	Qty	Remarks
1	ESR2739	1	Up to VA120156
	ESR3495	1	From VA120157
2	ESR3260	1	
3	ESR2034	3	
4	ESR2945	1	
5	BH110201	1	
6	ESR3172	1	
7	FN110047	1	
8	WA110061L	2	

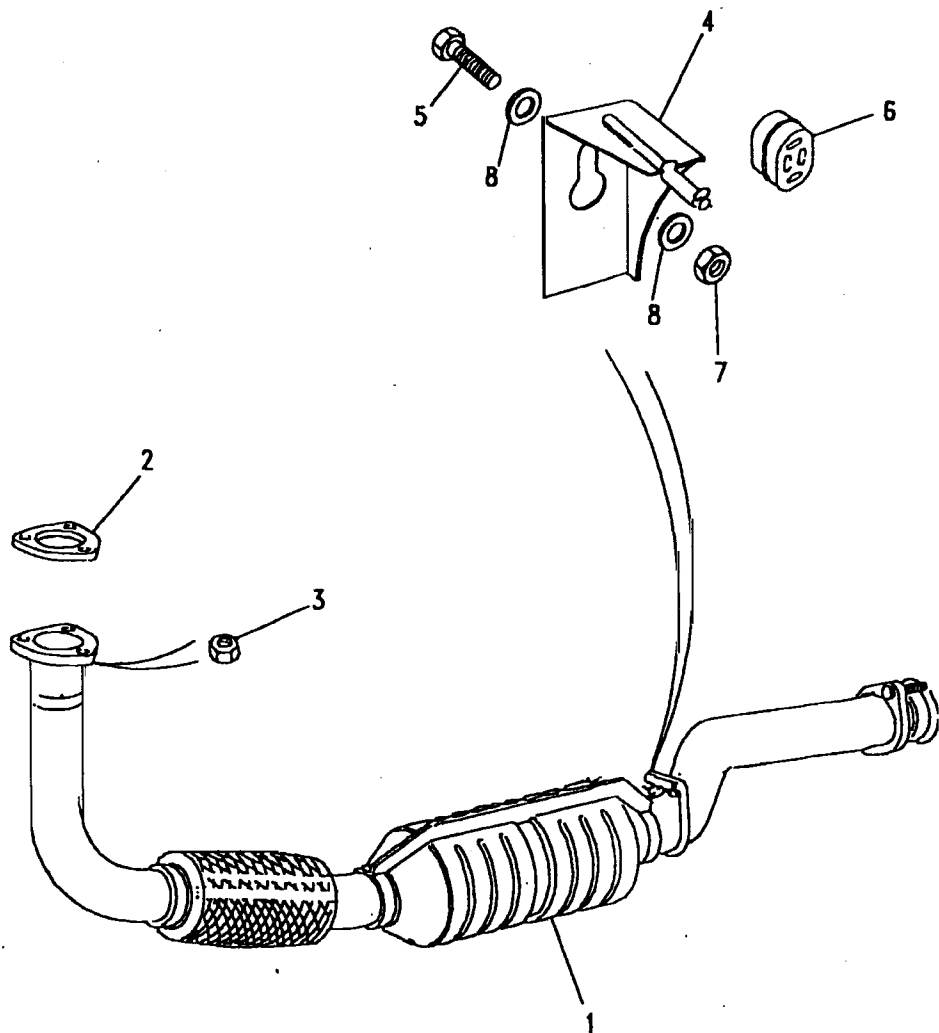


Model DEFENDER XD ALL VARIANTS
 Page YDKXDE1B

EXHAUST SYSTEM - EXHAUST PIPE - FRONT - AMBULANCE

III. Part No.	Description	Qty	Remarks
1	ESR2297	1	Note(1)
	ESR2739	1	Note(2)
	ESR3495	1	Note(3)
2	ESR3260	1	
3	ESR2034	3	
4	ESR2945	1	
5	BH110201	1	
6	ESR3172	1	
7	FN110047	1	
8	WA110061L	2	

Note(1) Non EGR - engine prefix 15L
 Note(2) EGR - engine prefix 25L - up to VA120156
 Note(3) EGR - engine prefix 25L - from VA120157





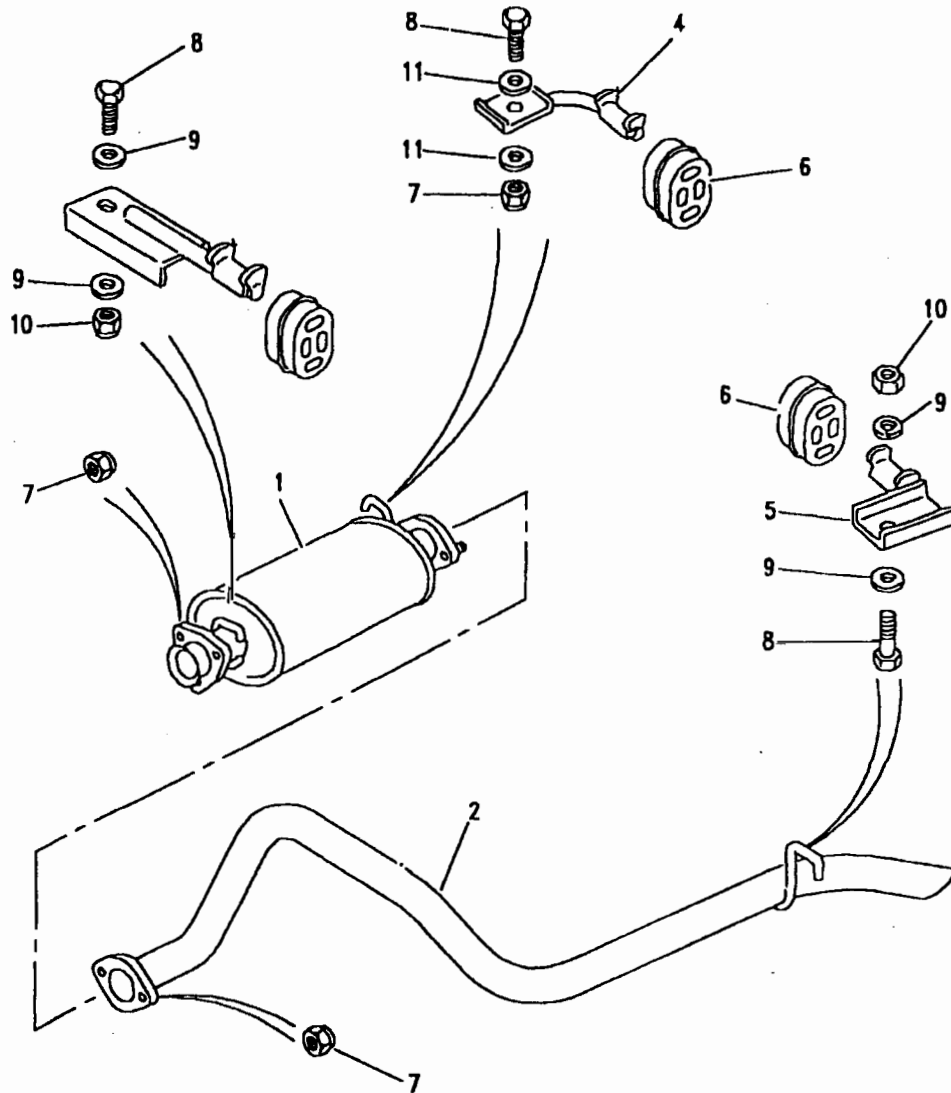
Model DEFENDER XD ALL VARIANTS
Page YDKXDE2C

EXHAUST SYSTEM - EXHAUST PIPE - REAR - 90

Ill. Part No.	Description	Qty	Remarks
1	ESR4526	1	Exhaust silencer
2	ESR4527	1	Exhaust tailpipe
3	ESR2087	1	Bracket mounting
4	ESR2131	1	Bracket mounting
5	ESR3294	1	Bracket mounting
6	ESR3172	3	Exhaust mtg rubber

Fixings

7	NV108041L	5	Nut locking M8
8	SH108251	3	Screw M8 x 25
9	3682	3	Washer plain
10	ESR2033	2	Nut M8
11	3663	2	Washer plain

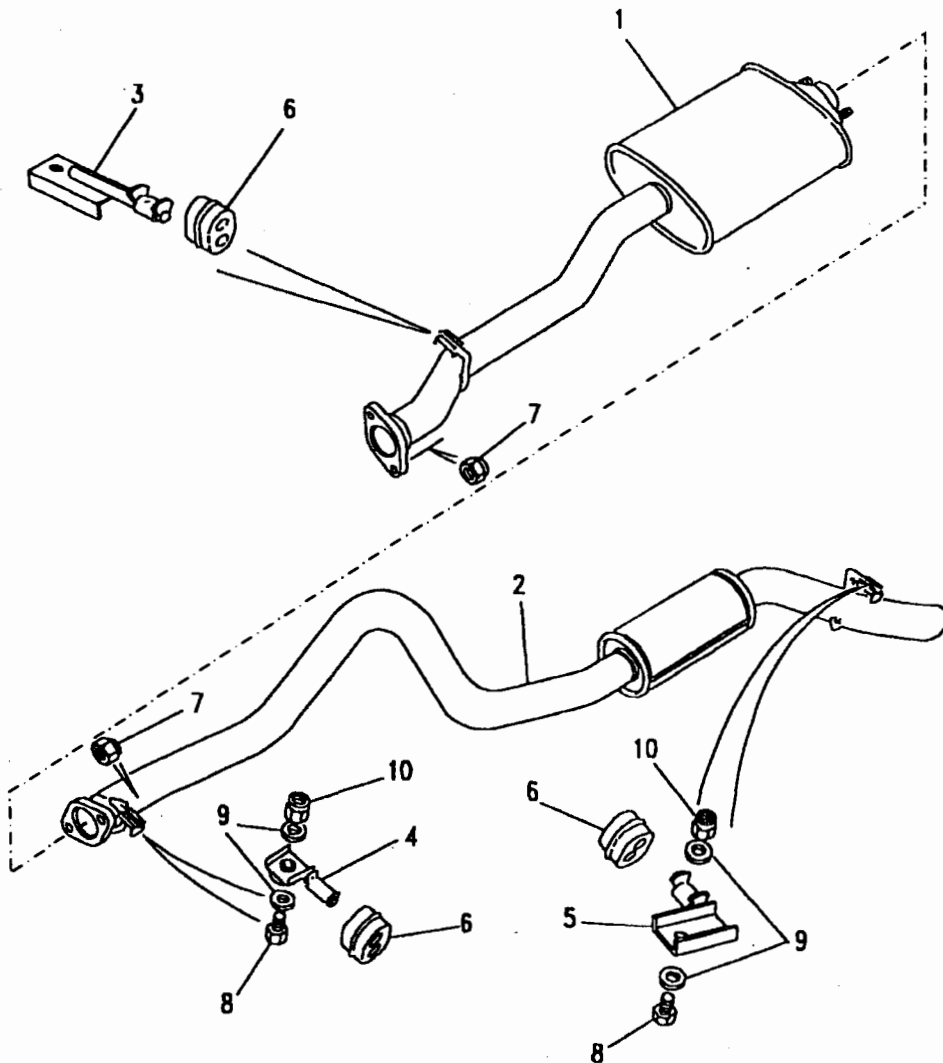




Model DEFENDER XD ALL VARIANTS
Page YDKXDE3A

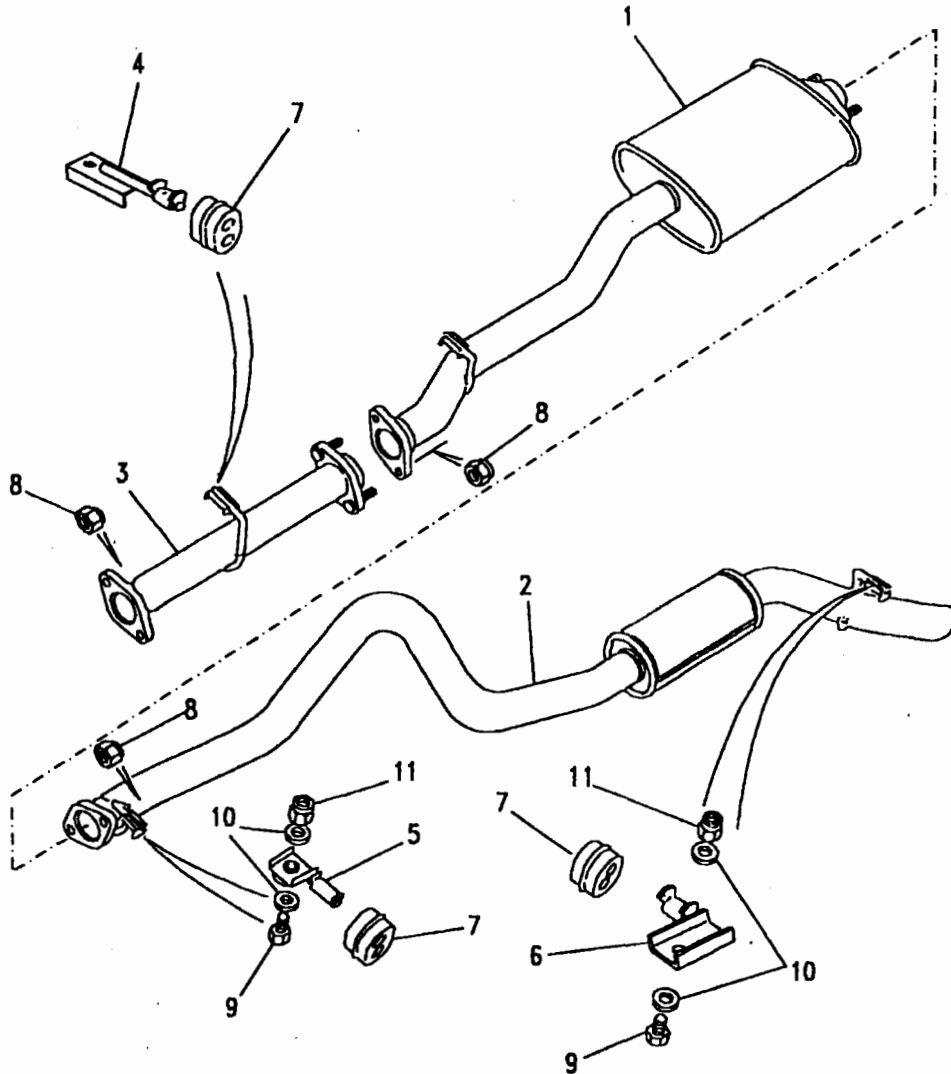
EXHAUST SYSTEM - EXHAUST PIPE - REAR - 110

Ill. Part No.	Description	Qty	Remarks
1	ESR2383	1	Exhaust silencer main
2	ESR2384	1	Exhaust silencer tailpipe
3	NTC5648	1	Bracket mounting
4	ESR3293	1	Bracket mounting
5	ESR3294	1	Bracket mounting
6	ESR3172	3	Exhaust mtg rubber
Fixings			
7	NV108041	4	Nut locking M8
8	SH108251	3	Screw M8 x 25
9	3663	6	Washer plain
10	ESR2033	4	Nut M8



Model DEFENDER XD ALL VARIANTS
Page YDKXDE4A

EXHAUST SYSTEM - EXHAUST PIPE - REAR - AMBULANCE



Ill. Part No.	Description	Qty	Remarks
1 ESR2385	Exhaust silencer main	1	
2 ESR3462	Exhaust silencer tailpipe	1	
3 ESR2386	Exhaust extension pipe	1	
4 NTC5648	Bracket mounting	1	
5 ESR3293	Bracket mounting	1	
6 ESR3294	Bracket mounting	1	
7 ESR3172	Exhaust mtg rubber	3	

Fixings

8 NV108041L	Nut locking M8	6	
9 SH108251L	Screw M8 x 25	2	
10 3663	Washer plain	4	
11 ESR2033	Nut M8	2	



MASTER INDEX

	PAGES
INTRODUCTION PAGES	1 - 4
ALPHABETICAL INDEX	5 - 16
ENGINE	17 - 57
GEARBOX	58 - 74
TRANSFER BOX	75 - 90
AXLES AND SUSPENSION	91 - 129
STEERING	130 - 141
VEHICLE AND ENGINE CONTROLS	142 - 148
BRAKES	149 - 161
FUEL SYSTEM AND AIR CLEANER	162 - 179
EXHAUST SYSTEM	180 - 185
COOLING/HEATING	186 - 225
BODY ELECTRICAL	226 - 319
BODY AND CHASSIS	320 - 444
INTERIOR TRIM	445 - 459
SEATS	460 - 473
STOWAGE	474 - 482
ACCESSORIES - PAINTS	483 - 495
NUMERICAL INDEX	497 - 530

GROUP L

COOLING/HEATING

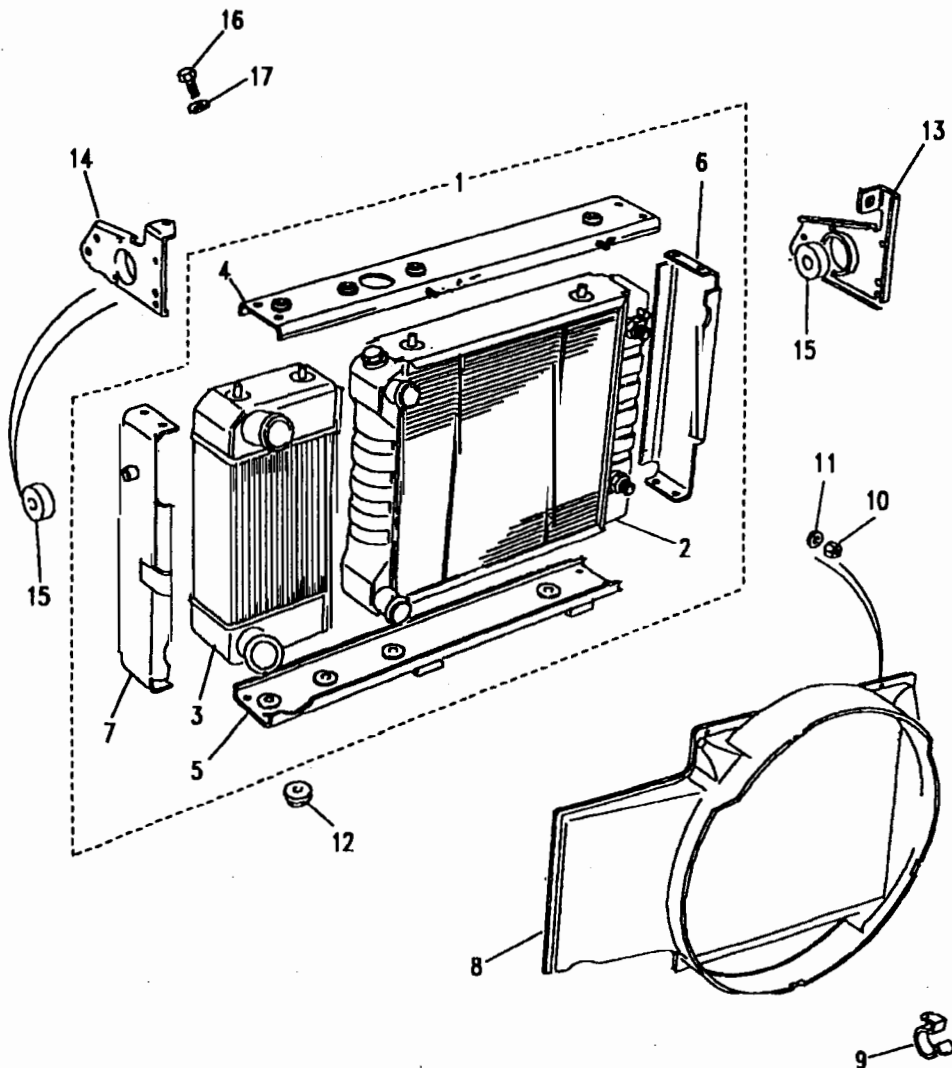
COOLING/HEATING	
RADIATOR, INTERCOOLER & OIL COOLER	187
RADIATOR HOSES	188
INTERCOOLER HOSES	189
INTERCOOLER HOSES - EGR	190
OIL COOLER - ENGINE - PIPES	191
OIL COOLER - GEARBOX	192
OIL COOLER - GEARBOX - TROPICAL AMBULANCE	193
OIL COOLER - GEARBOX - PIPES	194
EXPANSION TANK	195
HEATER ASSEMBLY	196 - 197
HEATER COMPONENTS	198
HEATER CONTROLS	199
HEATER AIR INTAKE SNOW COVER - WINTERISED	200
DEMISTERS AND OUTLET FLAPS	201
HEATER PIPES	202
REAR BODY HEATER - AMBULANCE	203 - 205
REAR BODY HEATER LABELS - AMBULANCE	206
ROOF MOUNTED VENTILATION UNIT - AMBULANCE	207
AUXILIARY HEATER - HEATER ASSEMBLY - WINTERISED	208 - 209
AUXILIARY HEATER - HEATER FUEL SUPPLY - WINTERISED	210
AUXILIARY HEATER - AIR INTAKE & EXHAUST - WINTERISED	211
AUXILIARY HEATER - THERMOSTATIC VALVE - WINTERISED	212
AUXILIARY HEATER - HEATER HOSES - WINTERISED	213
AUXILIARY HEATER - BATTERY COMPARTMENT - WINTERISED	214
AUXILIARY HEATER - REAR BODY - WINTERISED	215 - 216
AUXILIARY HEATER - CONTROL SYSTEM - WINTERISED	217
CONDENSER ASSEMBLY - TROPICAL AMBULANCE	218
RECEIVER DRIER - TROPICAL AMBULANCE	219
PRESSURE SWITCH - TROPICAL AMBULANCE	220
REFRIGERANT PIPES & HOSES - TROPICAL AMBULANCE	221 - 222
EVAPORATOR UNIT - TROPICAL AMBULANCE	223
DUCT VENTILATION REAR - TROPICAL AMBULANCE	224
CONTROL SYSTEM - TROPICAL AMBULANCE	225



Model DEFENDER XD ALL VARIANTS

Page YDLXAA1A

COOLING SYSTEM - RADIATOR, INTERCOOLER & OIL COOLER



Ill. Part No.	Description	Qty	Remarks
Radiator, intercooler & oil cooler assembly			
1	ESR3686 Radiator/intercooler assy	1	
2	BTP2601S Radiator & oil cooler	1	
3	FTP8030S Intercooler	1	
4	BTP2525 Radiator frame top	1	
5	BTP2284 Radiator frame bottom	1	
6	BTP2526 Radiator frame side RH	1	
7	BTP2528 Radiator frame side LH	1	
8	ESR2308 Radiator fan cowl	1	
9	ESR1800 Radiator cowl edge clip	1	
10	NH105041 Nut M5	2	
11	WA105001 Washer plain M5	2	
12	572312 Radiator bottom bush	2	
13	ESR3100 Radiator mtg brkt RH	1	
14	ESR3101 Radiator mtg brkt LH	1	
15	ESR3102 Radiator mtg bush	2	
16	SH106205L Screw M6 x 20	8	
17	WC106045 Washer plain M6	8	

Model DEFENDER XD ALL VARIANTS

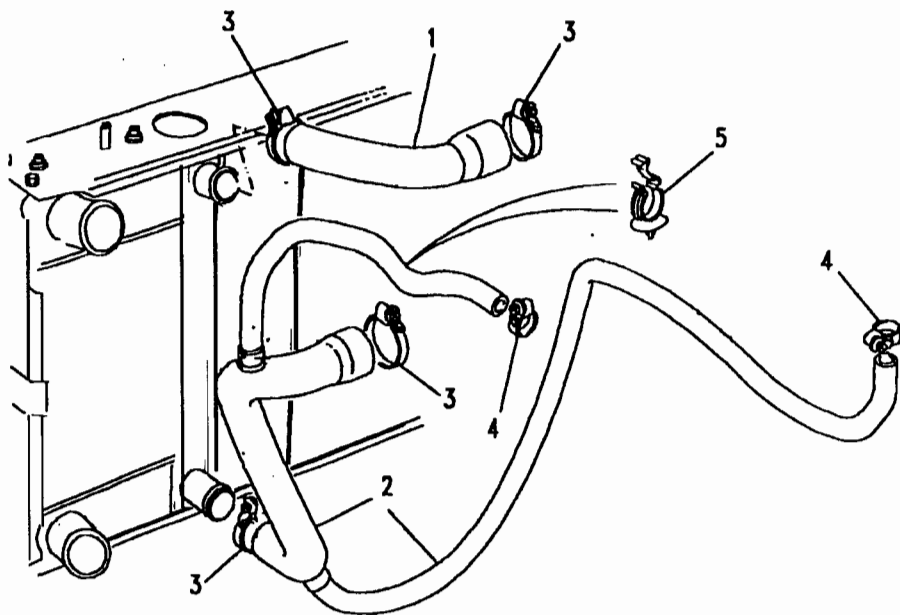
Page YDLXAA2A

COOLING SYSTEM - RADIATOR HOSES

III. Part No.	Description	Qty	Remarks
---------------	-------------	-----	---------

Radiator hoses

1	ESR2298	Hose radiator top	1
2	ESR3121	Hose radiator bottom	1
3	CN100508L	Clip hose	4
4	CN100308L	Clip hose	2
5	ESR2662	Clip hose retaining	1



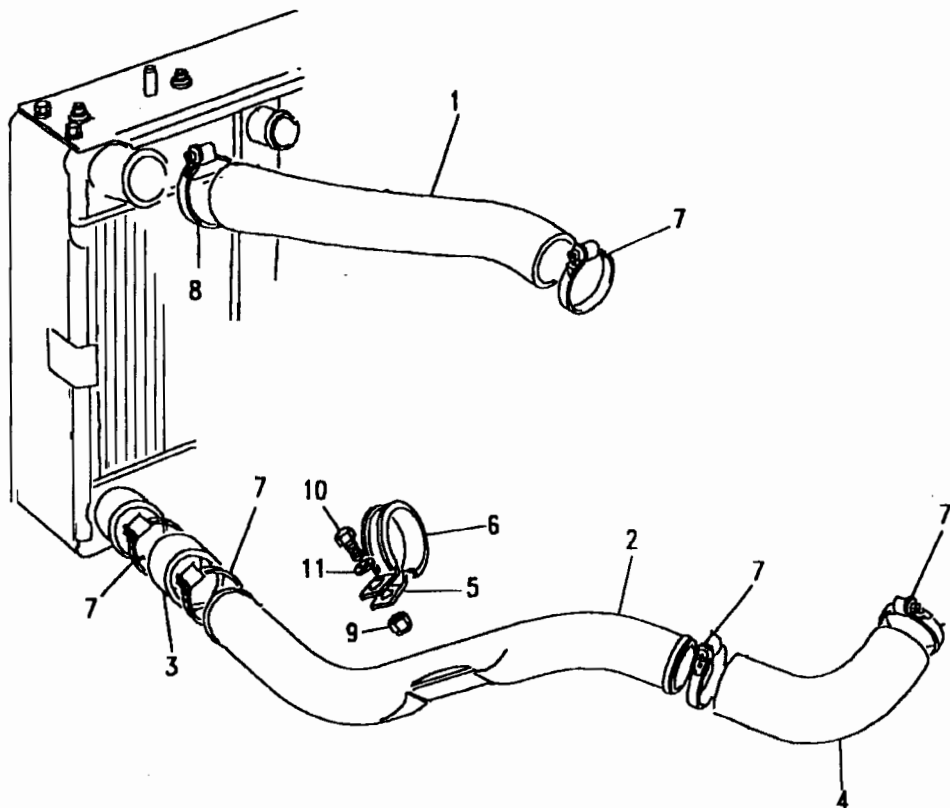
Model DEFENDER XD ALL VARIANTS

Page YDLXAA3A

COOLING SYSTEM - INTERCOOLER HOSES

III. Part No.	Description	Qty	Remarks
Intercooler hoses			
1 ESR2309	Hose Intercooler/manifold	1	Note(1)
2 ESR2055	Pipe Intercooler/turbo	1	
3 ESR2729	Hose Pipe/Intercooler	1	
4 ESR2730	Hose Pipe/turbo	1	
Fixings			
5 ESR2120	Intercooler pipe mtg brkt	1	
6 ESR2119	Mounting rubber	1	
7 PYC101120L	Clip hose	5	
8 CN100708	Clip hose	1	
9 NY108041L	Nut nyloc M8	1	
10 SH108161L	Screw M8 x 16	1	
11 WA108051L	Washer plain M8	1	

Note(1) Non EGR only - for vehicles with EGR see page 190





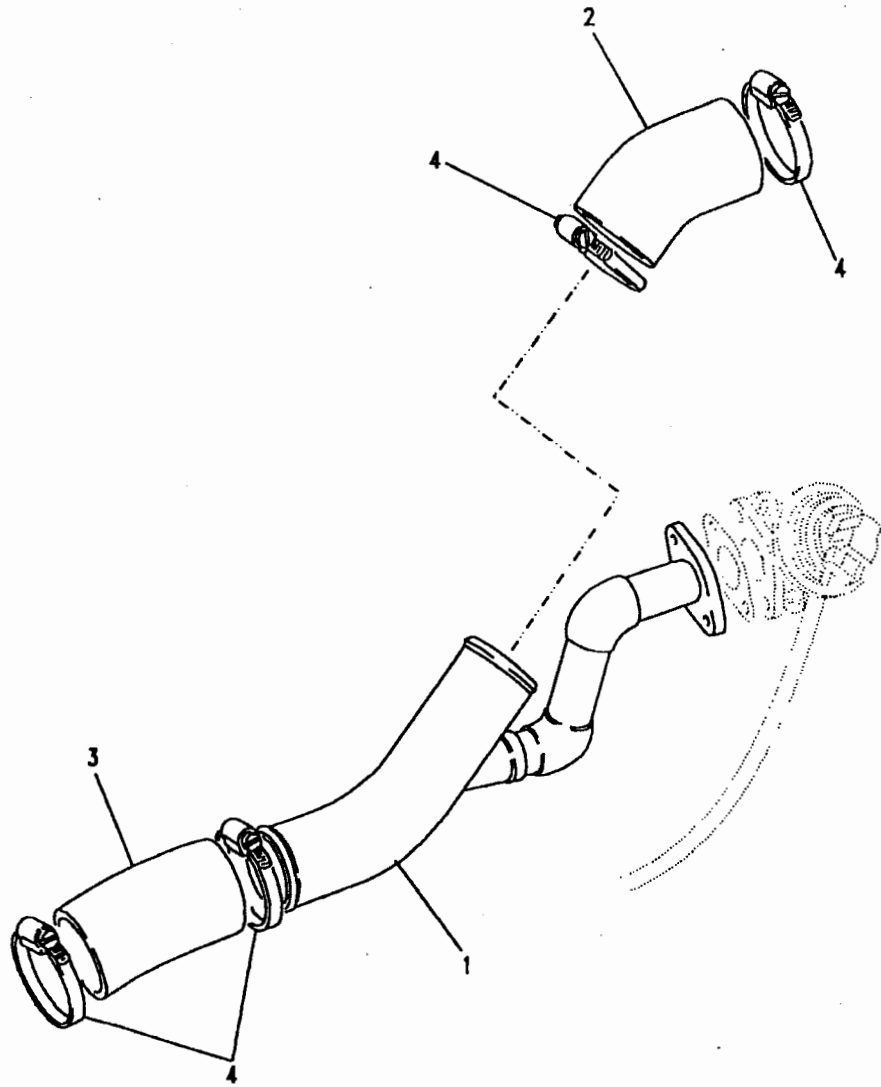
Model DEFENDER XD ALL VARIANTS
Page YDLXAA3B

COOLING SYSTEM - INTERCOOLER HOSES - EGR

III. Part No. Description Qty Remarks

Intercooler to manifold hoses & EGR mixing tube

1	ERR5732	Tube EGR mixing	1
2	ERR3580	Hose mix tube/inlet man	1
3	ERR3581	Hose intercoolr/mix tube	1
4	PYC101120L	Clip hose	4





Model DEFENDER XD ALL VARIANTS
Page YDLXAA4A

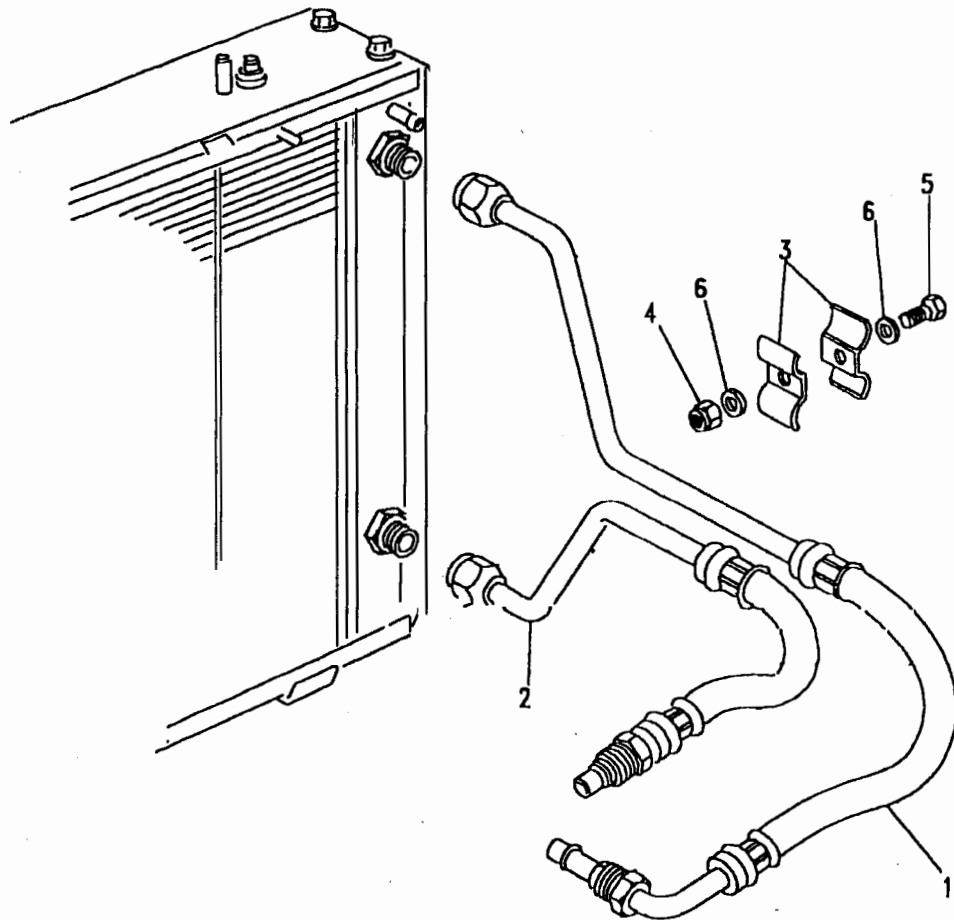
COOLING SYSTEM - OIL COOLER - ENGINE - PIPES

III. Part No. Description Qty Remarks

Oil cooler pipes

1	ESR1931	Pipe oil cooler/eng	1	Up to VA104123
	ESR3690	Pipe oil cooler/eng	1	From VA104124 up to XA161449
	PBP101130	Pipe oil cooler/eng	1	From XA161450
	ESR1594	O ring	2	
2	ESR3691	Pipe eng/oilcooler	1	Up to XA161449
	PBP101140	Pipe eng/oilcooler	1	From XA161450
	ESR1594	O ring	2	
3	NTC6847	Saddle clamp	2	
4	NY106041L	Nut M6	1	
5	SH106161L	Screw M6 x 16	1	
6	WA106041L	Washer plain M6	2	

Note(1) For engine oil cooler see page 187





Model DEFENDER XD ALL VARIANTS
Page YDLXAG1A

COOLING SYSTEM - OIL COOLER - GEARBOX

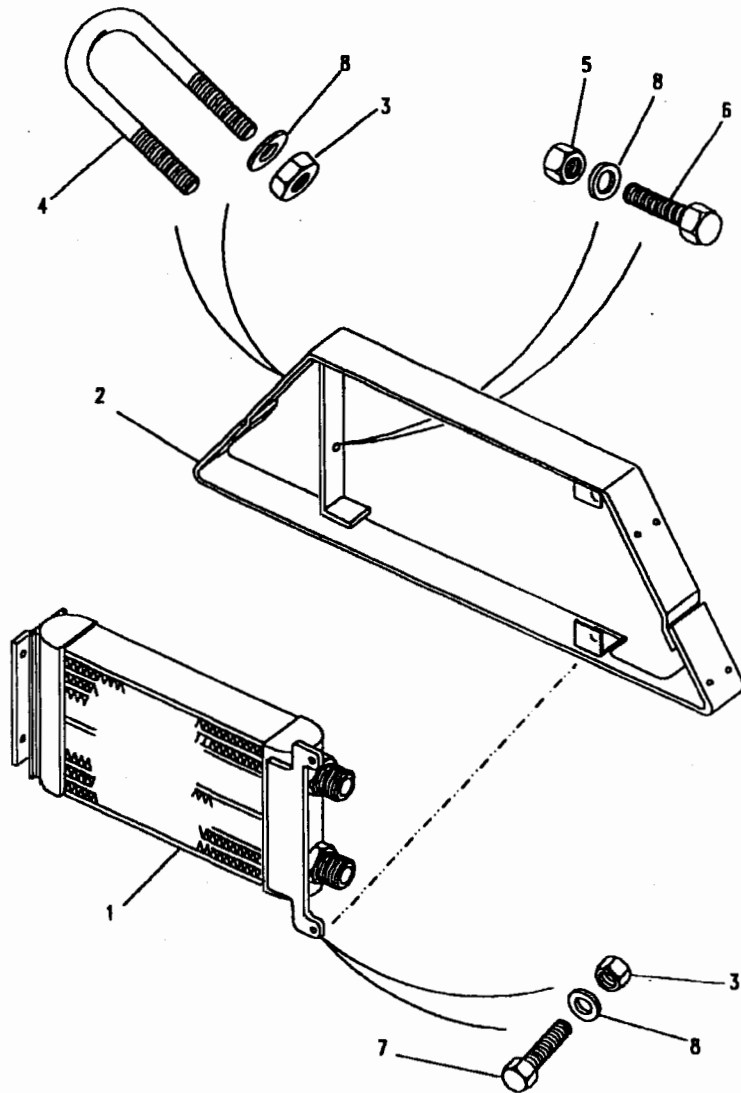
Ill. Part No. Description Qty Remarks

Gearbox oil cooler

1	ESR3229	Oil cooler	1
2	ESR489	Oil cooler frame	1

Fixings

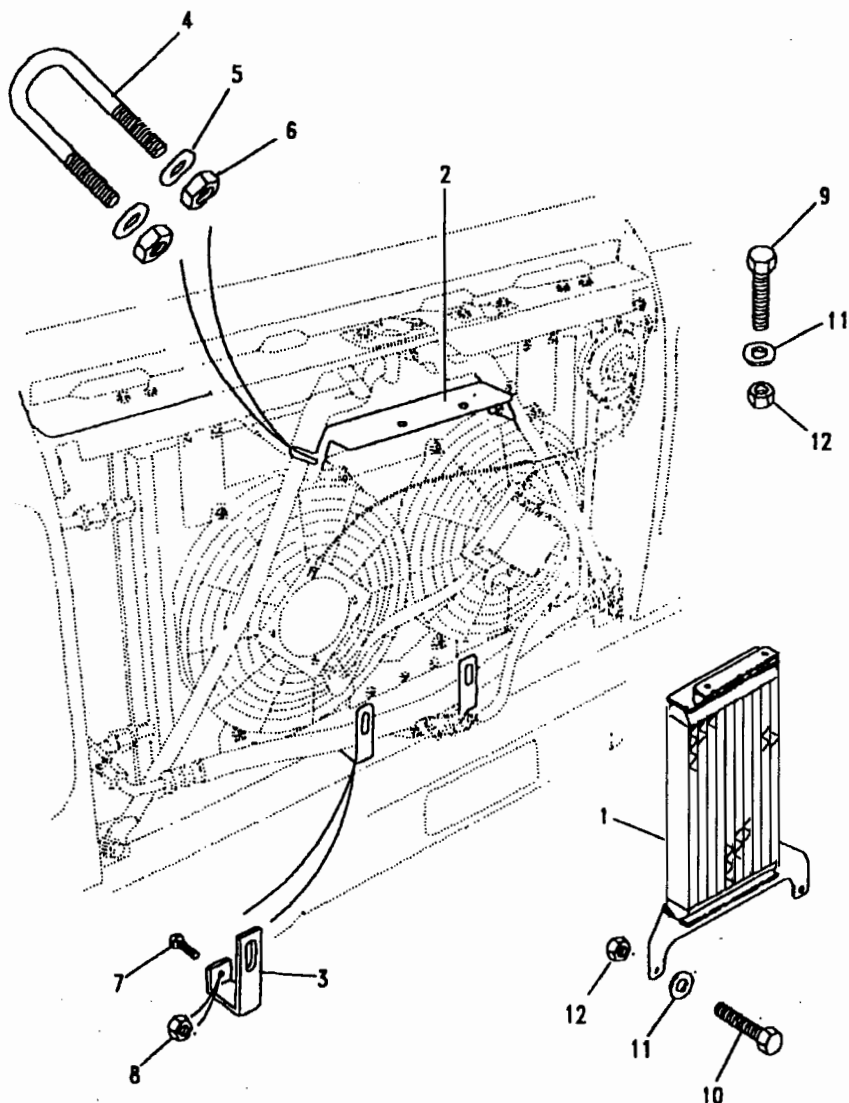
3	NH106041L	Nut M6	4
4	NRC7459	U Bolt	4
5	NY106047L	Nut nyloc M6	8
6	SH106121L	Screw M6 x 12	2
7	SH106251L	Screw M6 x 25	2
8	WA106041L	Washer plain M6	8

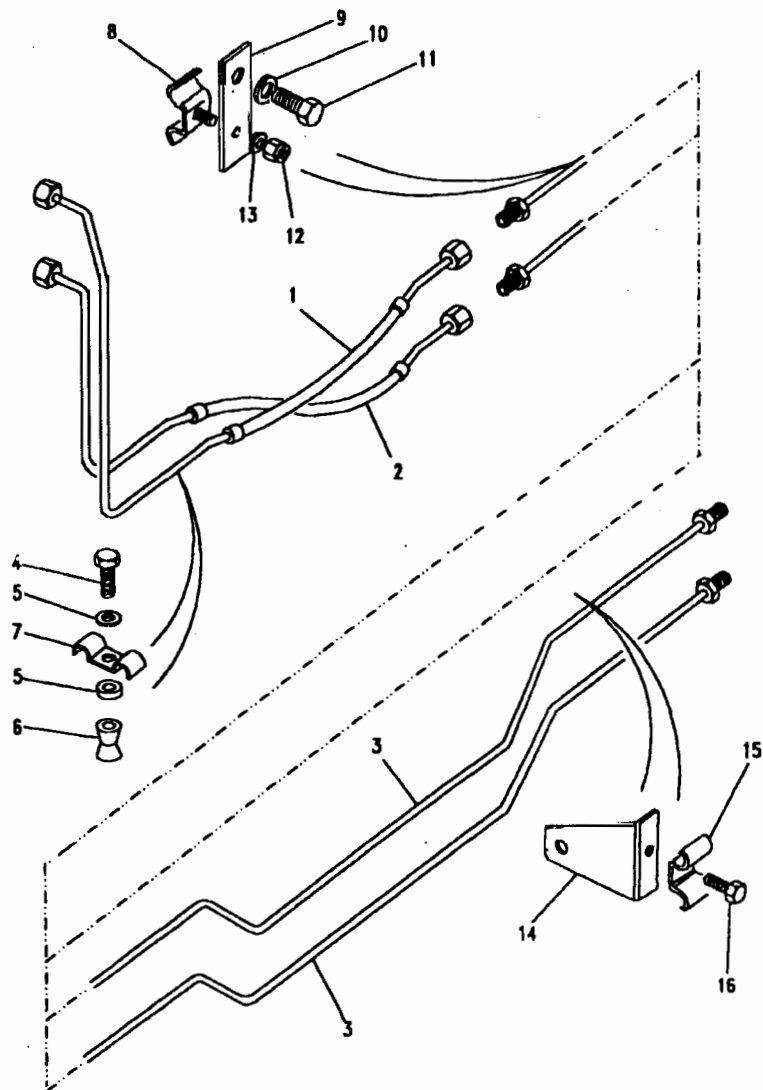


Model DEFENDER XD ALL VARIANTS
 Page YDLXAG2A

COOLING SYSTEM - OIL COOLER - GEARBOX - TROPICAL AMBULANCE

Ill. Part No.	Description	Qty	Remarks
Gearbox oil cooler			
1	ESR3229 Oil cooler	1	
2	UBU100470 Bracket mounting upper	1	
3	UBU100480 Bracket mounting lower	2	
Fixings			
4	NRC7459 U Bolt	2	
5	WA106041L Washer plain M6	4	
6	NY106047L Nut nyloc M6	4	
7	SP105101L Screw M5 x 10	2	
8	FN105047L Nut M5	2	
9	FS106257L Screw M6 x 25	2	
10	FS106207L Screw M6 x 20	2	
11	WA106041L Washer plain M6	4	
12	NY106047L Nut nyloc M6	4	





Model DEFENDER XD ALL VARIANTS
Page YDLXA11A

COOLING SYSTEM - OIL COOLER - GEARBOX - PIPES

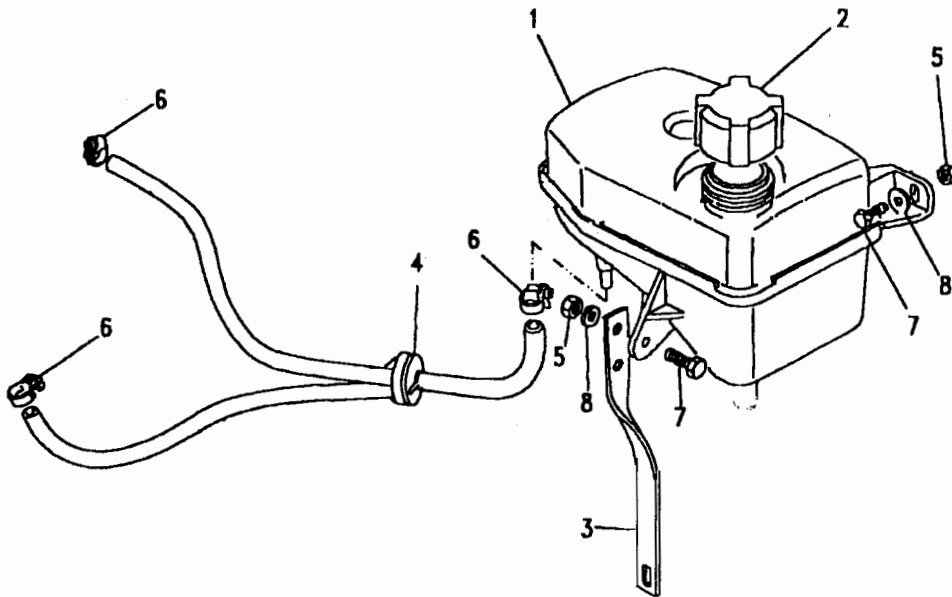
III. Part No.	Description	Qty	Remarks
Oil cooler pipes - flexible - front			
1 ESR2084	Pipe g/box to cooler	1	
UBH101600	Pipe g/box to cooler	1	Tropical ambulance
2 ESR2085	Pipe oil cooler to g/box	1	
UBH101610	Pipe oil cooler to g/box	1	Tropical ambulance
Oil cooler pipes - rigid - rear			
3 ESR2749	Pipe transmission	2	
Fixings - to pipe clamp			
4 FS106167L	Screw M6x16	1	
5 WA106041L	Washer M6	1	
6 NN106011	Nutsert	1	
7 594637	Saddle clamp	1	
Fixings - pipe to sump			
8 ESR2579	Saddle clamp weld bolt	1	
9 ESR2416	Bracket oil cooler pipes	1	
10 WA106041L	Washer plain M12	1	
11 SH112201	Screw M6x20	1	
12 NY106047L	Nut nyloc M6	1	
13 WA106041L	Washer plain M6x12.5	1	
14 ESR2435	Bracket oil cooler pipes	1	
15 594637	Saddle clamp	1	
16 SH106201	Screw M6x20	1	

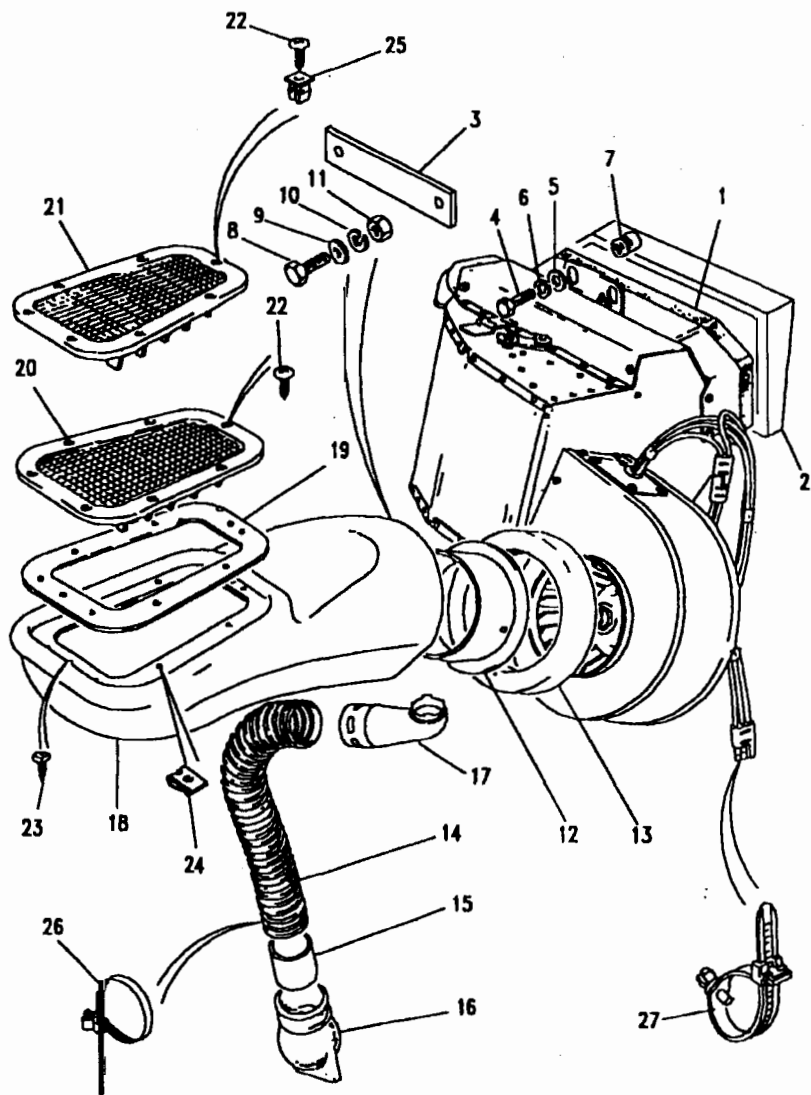


Model DEFENDER XD ALL VARIANTS
Page YDLXCC1A

COOLING SYSTEM - EXPANSION TANK

III. Part No.	Description	Qty	Remarks
Expansion tank			
1 ESR63	Tank expansion	1	
2 NTC7161	Cap expansion tank	1	15 psi
3 ESR2313	Mounting bracket	1	
4 ESR3436	Hose bleed assembly	1	
Fixings			
5 NH106041L	Nut M6	4	
6 CN100168L	Clip hose	3	
7 SH106201	Screw M6 x 20	4	
8 WA106041L	Washer plain M6	6	





Model DEFENDER XD ALL VARIANTS

Page YDLXGA1A

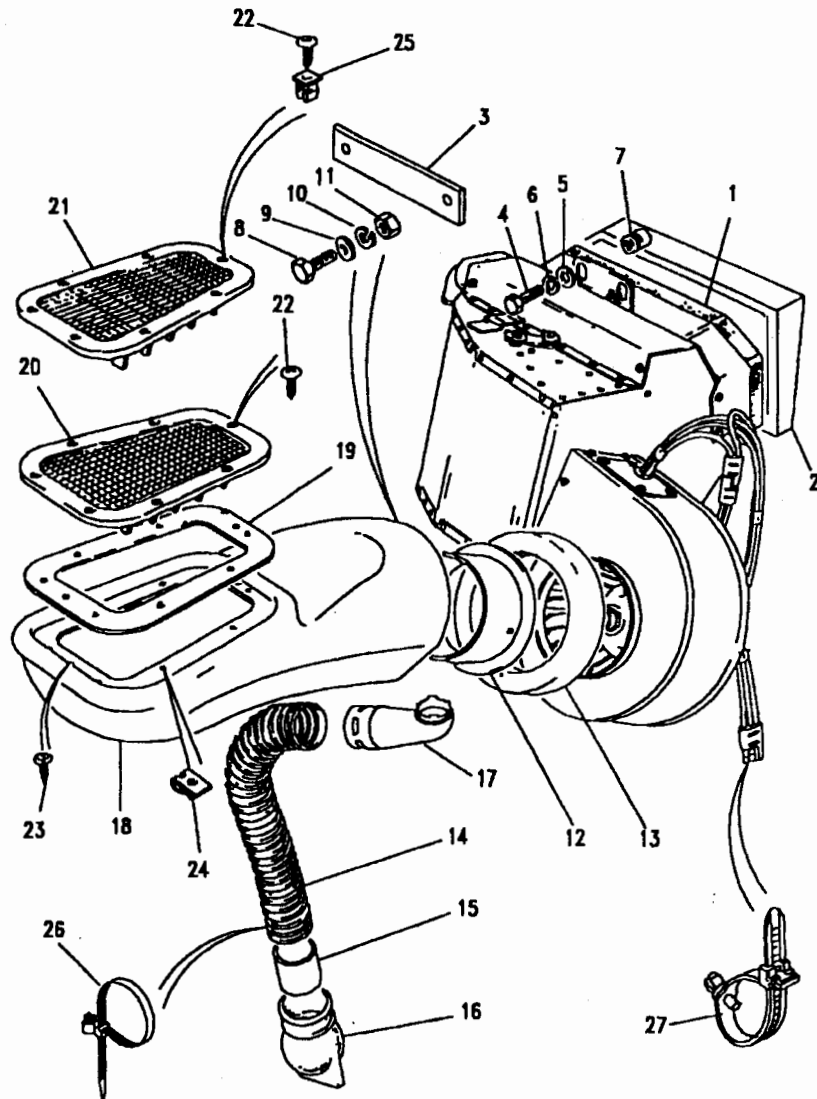
HEATING SYSTEM - HEATER ASSEMBLY

III. Part No.	Description	Qty	Remarks
Heater assembly - standard & winterised vehicles			
1	RRC8637	1	RH Stg
	RRC8638	1	LH Stg
Heater assembly - waterproof vehicles			
1	JEC102960	1	
All variants			
2	STC952	1	
3	AWR4782	1	Lower fixings
4	SH108161L	2)Upper fixings
5	RTC610	2	
6	WL108001L	2)
7	NN108021	2	
8	SH106161L	2)Lower fixings
9	WA106041L	2	
10	WL106001L	2)
11	NH106041L	2	
12	MRC8642	1	
13	MRC8378	1	
14	MRC8377	1	
15	MRC8717	1	
16	STC1120	1	
17	RRC4303	1	
18	RRC4305	1	RH Stg
	RRC4304	1	LH Stg
19	MRC9998	1	
20	AWR2215	1	RH Stg
	AWR2214	1	LH Stg
21	AWR2216	1	RH Stg
	AWR2217	1	LH Stg

Model DEFENDER XD ALL VARIANTS
Page YDLXGA1A

HEATING SYSTEM - HEATER ASSEMBLY

III. Part No.	Description	Qty	Remarks
22	AB608065L	14	Up to VA128163
	AB608068	14	From VA128164
23	AC608041L	4	
24	AJ608041	9	
25	RTC3745	9	
26	YYD10003	1	
27	AAU3686	2	

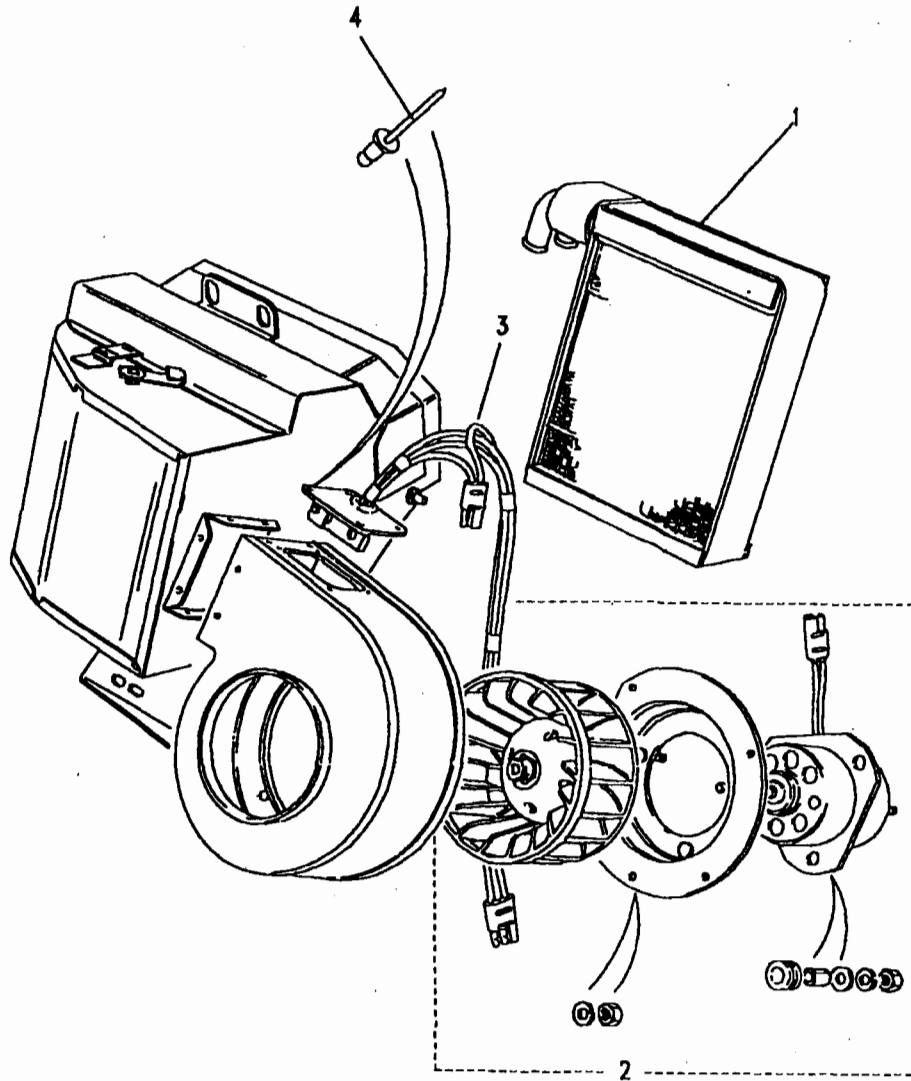


Model DEFENDER XD ALL VARIANTS
Page YDLXGA2A

HEATING SYSTEM - HEATER COMPONENTS

III. Part No.	Description	Qty	Remarks
1	UTP1725	1	
2	UTP2225	1	RH Stg - note(1)
	UTP2229	1	LH Stg - note(1)
	JGC100420	1	Waterproof
3	UTP1906	1	RH Stg - note(2)
	UTP1907	1	LH Stg - note(2)
4	RA608123L	4	

Note(1) Includes screened cable assembly & suppression box.
 Note(2) Standard vehicles only - harness supplied with motor assembly for waterproof vehicles.

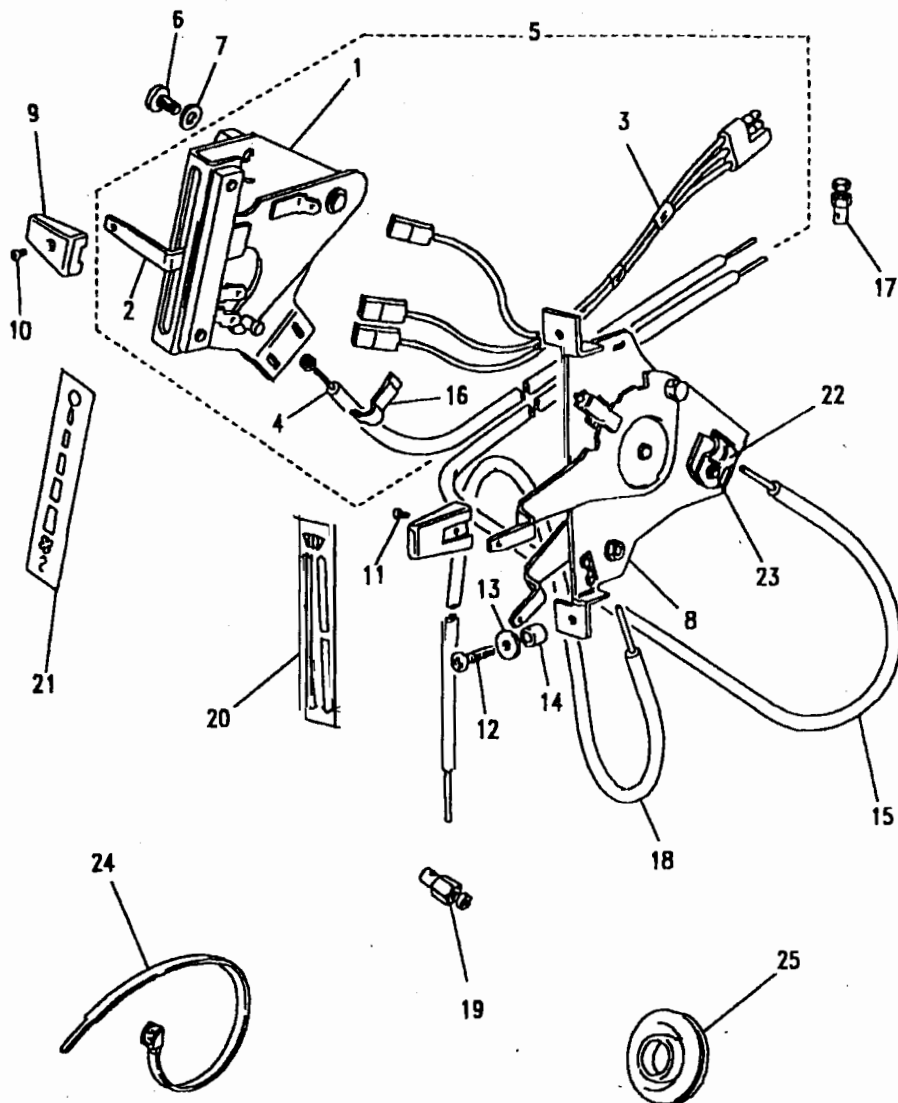


Model DEFENDER XD ALL VARIANTS

Page YDLXGA4A

HEATING SYSTEM - HEATER CONTROLS

III. Part No.	Description	Qty	Remarks
Heater control assembly - standard vehicles			
1	BTR4433	1)RH Stg
2	AAP938	1)
1	BTR4434	1)LH Stg
2	AAP939	1)
3	UTP1883	1	
4	AAP876	1	
Heater control assembly - waterproof vehicles			
5	JFC102290	1	
All variants			
6	SE105164L	2	
7	WA105004	2	
8	346924	1	RH Stg
	347586	1	LH Stg
9	MTC2805	3	
10	SG103084	1	
11	MTC7737	2	
12	SE808244	2	
13	AFU1248	2	
14	MRC9922	2	
15	MTC6194	1	
16	79198	4	
17	MTC5760	2	
18	BTR8736	1	
19	MTC5760	1	
20	MTC6006	1	
21	MTC6007	1	
22	13H7343	1	
23	SH104081	1	
24	UKC6684L	2	
25	276054	1	

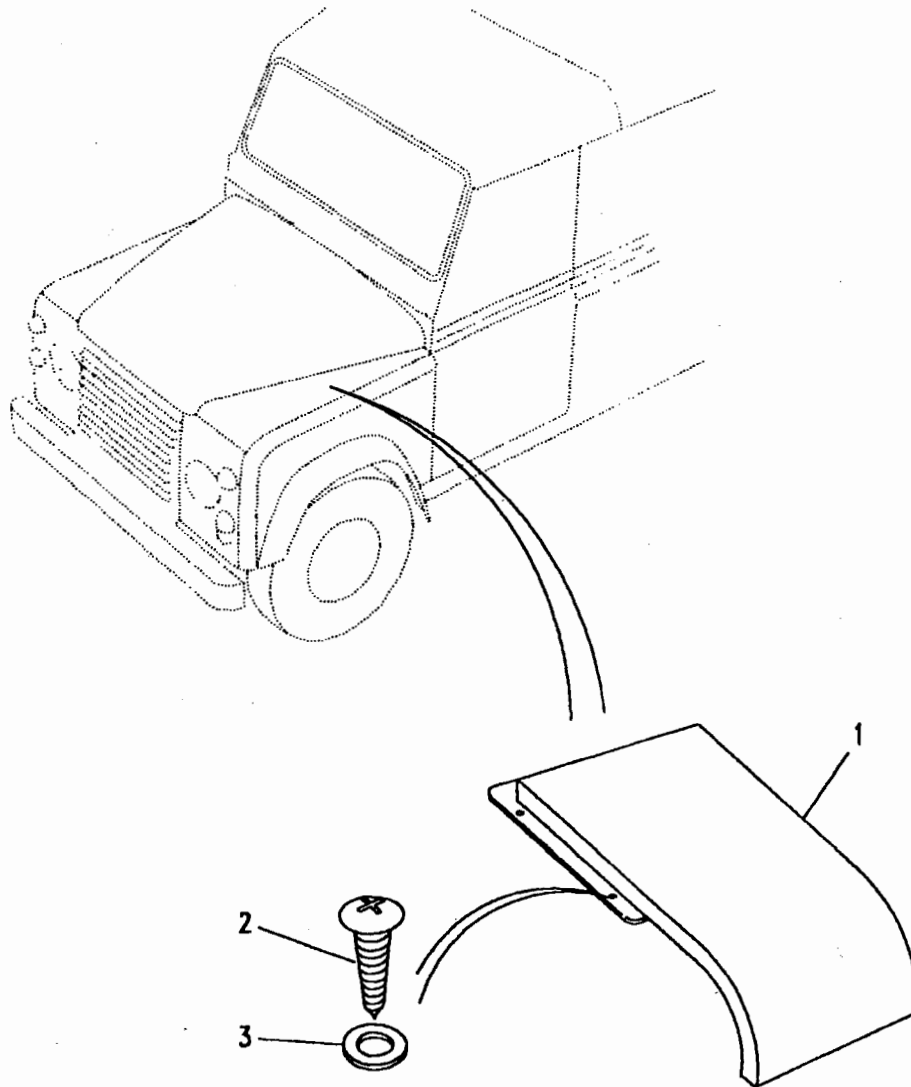




Model DEFENDER XD ALL VARIANTS
Page YDLXGA5A

HEATING SYSTEM - HEATER AIR INTAKE SNOW COVER - WINTERISED

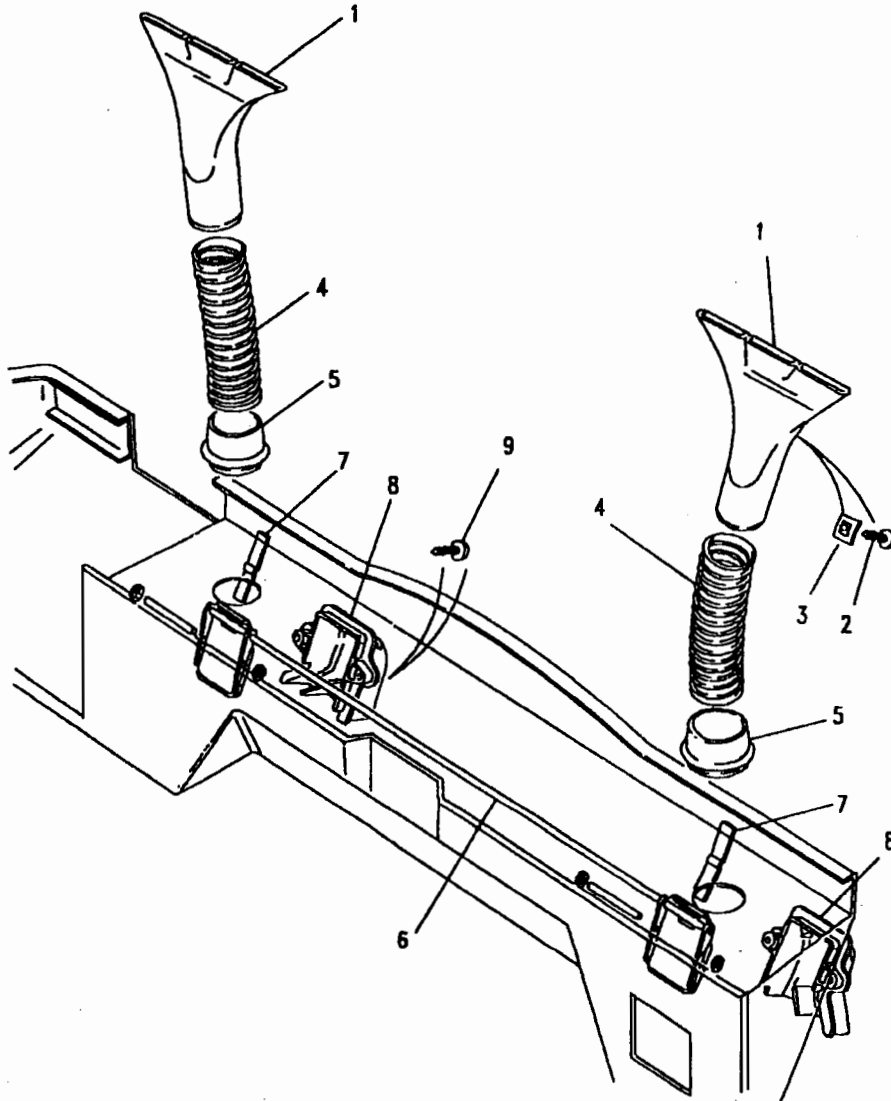
III. Part No.	Description	Qty	Remarks
1 RRC6818	Cover air intake LH	1	
2 AB608088	Screw No8 x 1	5	
3 WA104001L	Washer plain M4	5	



Model DEFENDER XD ALL VARIANTS
Page YDLXIA1A

HEATER SYSTEM - DEMISTERS AND OUTLET FLAPS

Ill. Part No.	Description	Qty	Remarks
1	BTR1599	1	Nozzle demist LH
	BTR1600	1	Nozzle demist RH
2	DA610051	4	Screw 10BA x 5/8
3	AL608031	4	Nut spring
4	MTC6382	2	Tube flexible
5	MRC7281	2	Grommet demister
6	BTR1349	1	Flaps heater outlet
7	346976	2	Spring (flaps closing)
8	395829	1	Duct footwell RH
	JKB100440	1	Duct footwell RH
	395830	1	Duct footwell LH
	JKB100450	1	Duct footwell LH
9	AB608051L	4	Screw No8 x 5/8

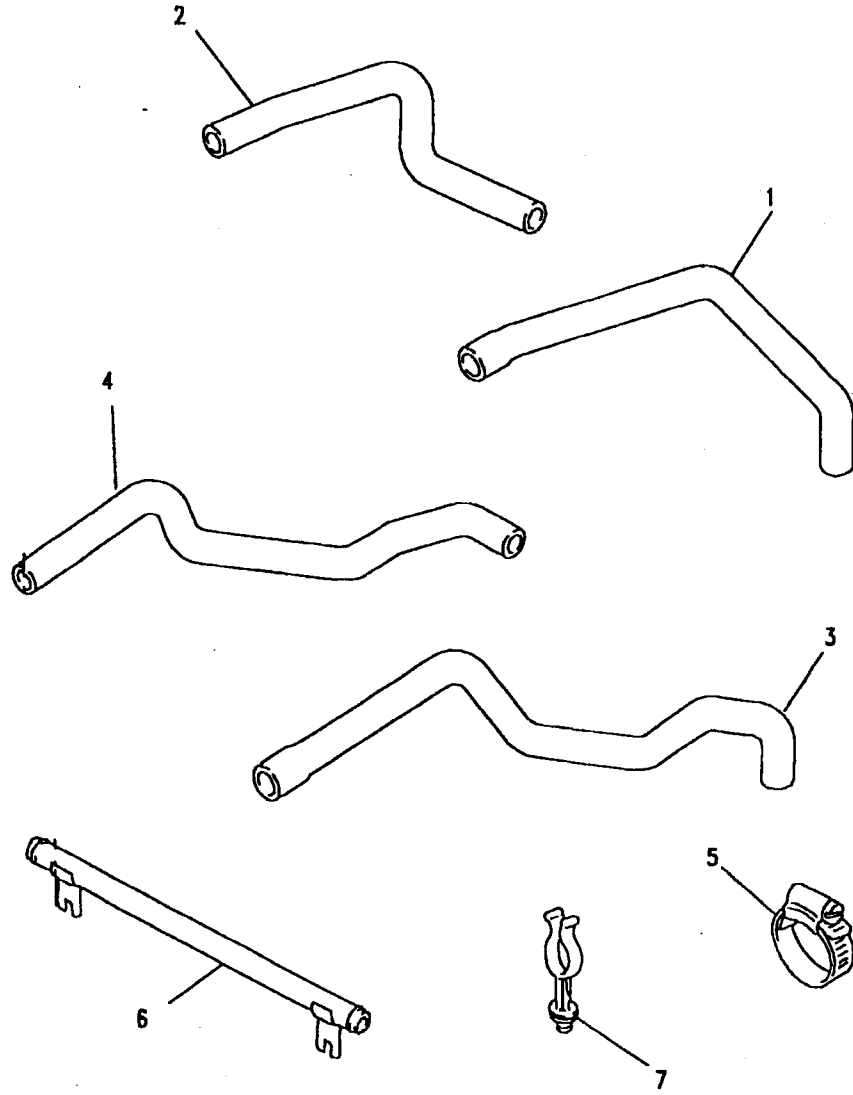




Model DEFENDER XD ALL VARIANTS
Page YDLXIA3B

HEATING SYSTEM - HEATER PIPES

III. Part No.	Description	Qty	Remarks
RH Stg			
1 BTR6165	Hose heater inlet	1	
2 BTR6164	Hose heater return	1	
LH Stg			
3 BTR8396	Hose heater inlet	1	
4 BTR8395	Hose heater return	1	
All variants			
5 CN100258L	Clip hose	4	
6 ERR4531	Pipe assembly return	1	
7 NRC8332	Cable clip	1	



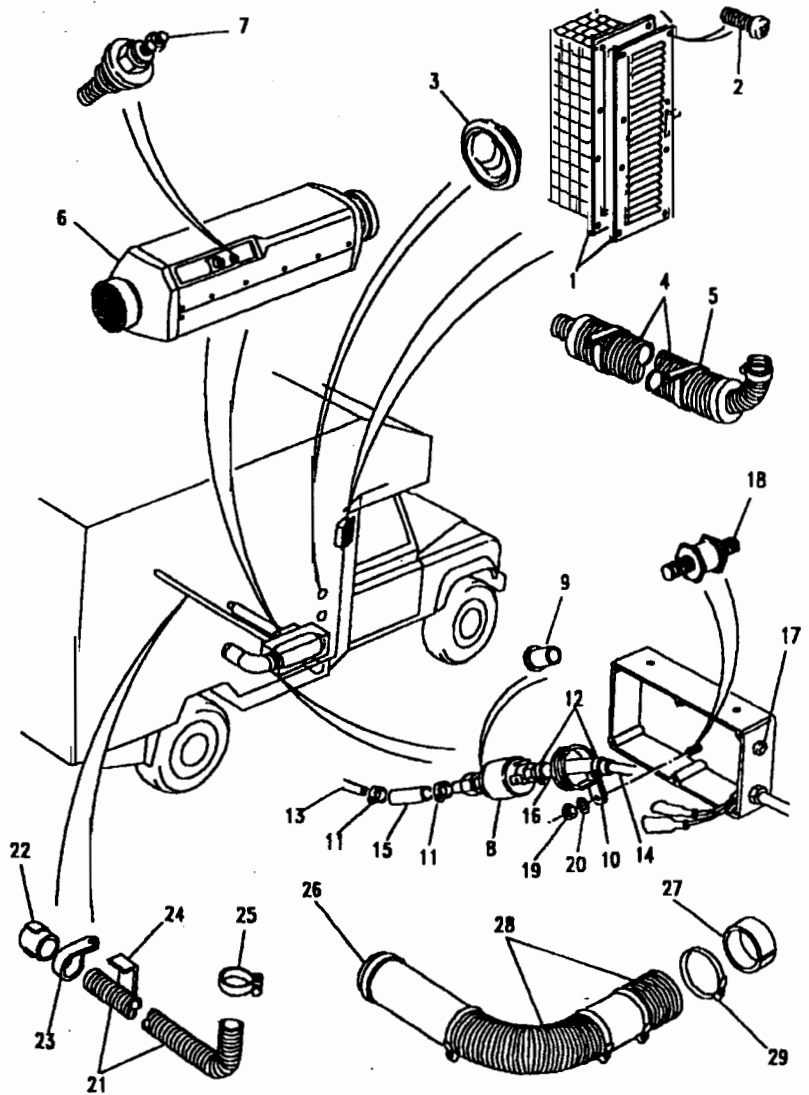
Model DEFENDER XD ALL VARIANTS

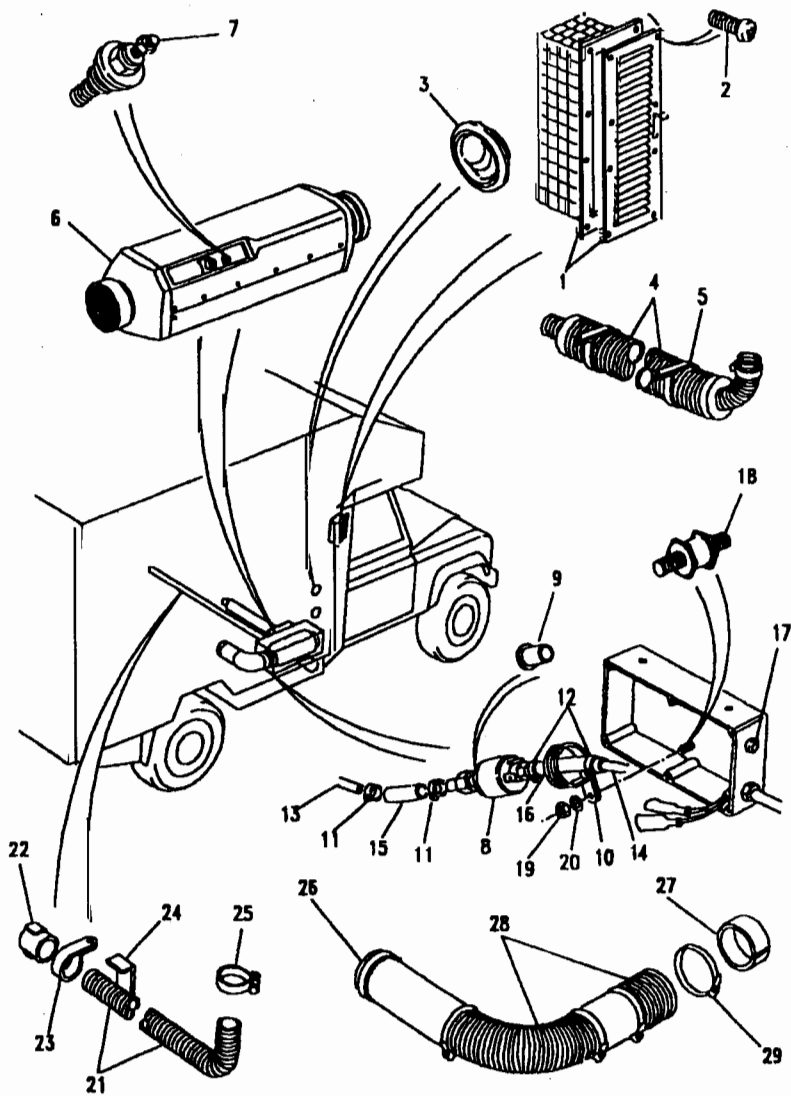
Page YDLXA1A

HEATING SYSTEM - REAR BODY HEATER - AMBULANCE

Ill. Part No.	Description	Qty	Remarks
Air intake			
1	IQO100000	1	Intake assy cold air
2	SE105301L	8	Screw M5 x 30
3	IQN100010	2	Intake assy warm air
4	STC2633	2	Silencer
5	STC2637	2	Clip silencer
Heater unit			
6	STC3441	1	Heater assembly
7	STC2640	1	Glow plug
Heater fuel pump			
8	STC3626	1	Pump fuel
9	STC4144	1	Filter fuel pump
10	STC3442	1	Clip fuel pump body
11	STC3627	4	Clip fuel inlet 11mm
12	STC3628	4	Clip fuel outlet 9mm
13	STC4127	1	Pipe fuel 2mm bore
14	STC4128	1	Pipe fuel 1.5mm bore
15	STC4129	2	Pipe connecting inlet
16	STC4131	2	Pipe connecting outlet
17	STC4143	2	Grommet fuel pipe
18	STC4142	1	Mounting rubber
19	NH106041L	1	Nut M6
20	WL106001L	1	Washer spring M6

Note(1) For heater components see page 205





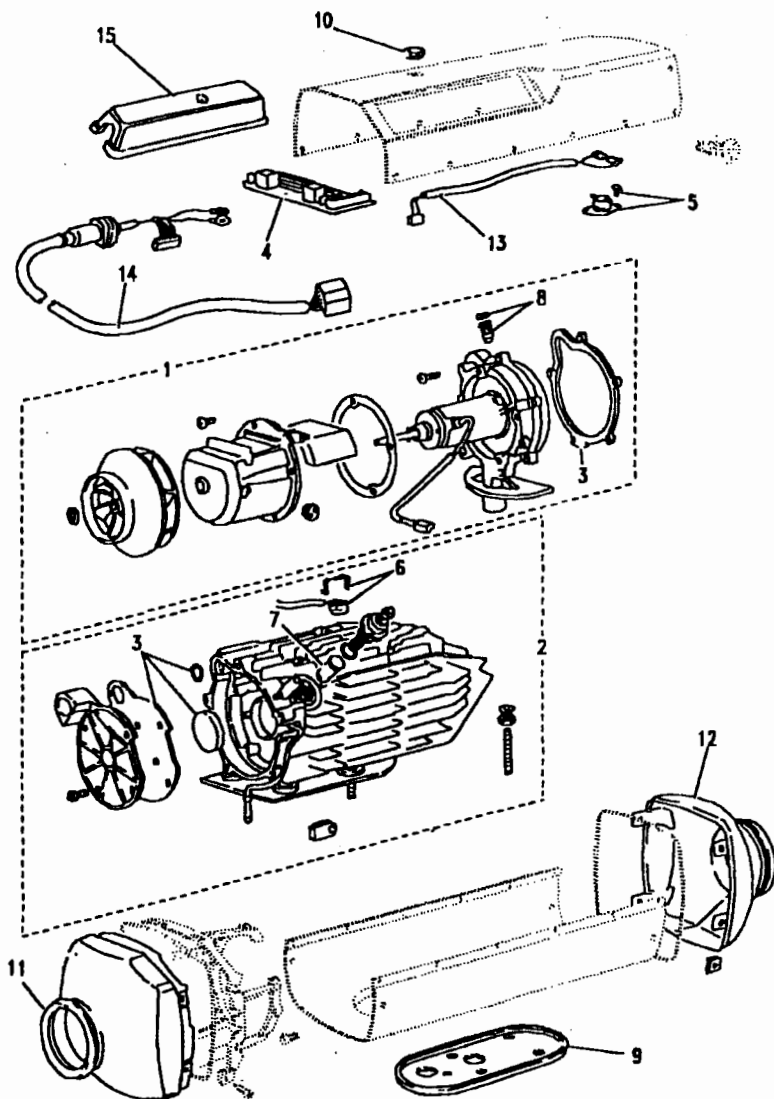
Model DEFENDER XD ALL VARIANTS
Page YDLXKA1A

HEATING SYSTEM - REAR BODY HEATER - AMBULANCE

III. Part No.	Description	Qty	Remarks
Heater exhaust			
21 STC2634	Pipe exhaust	1	Note(1)
22 STC2639	Sleeve exhaust	1	
23 STC2635	Clip exhaust	3	
24 STC2721	Bracket exhaust	3	
25 STC4149	Clamp exhaust	1	
Heater duct & outlet louvre			
26 STC3629	Louvre outlet	1	
27 STC4148	Reducer pipe 100-90mm	1	
28 STC3630	Tube duct 100 x 650mm	1	Note(2)
29 STC3631	Clip worm hose	4	

Note(1)
 Note(2)

For exhaust extension pipes see page 480
 Service length for both sections - 150 & 500mm



Model DEFENDER XD ALL VARIANTS

Page YDLXKA1C

HEATING SYSTEM - REAR BODY HEATER - AMBULANCE

III. Part No.	Description	Qty	Remarks
Heater components			
1	STC4117 Blower motor	1	
2	STC4118 Heat exchanger	1	
3	STC4121 Kit gasket and seal	1	
4	STC4119 Printed circuit board	1	
5	STC4122 Switch thermal cut-out	1	
6	STC4123 Sensor temperature	1	
7	STC4120 Strainer glow plug	1	
8	STC4124 Mixture screw & locker	1	
9	STC4132 Gasket rubber	1	
10	STC4133 Grommet rubber	1	
11	STC4134 Cap end intake	1	
12	STC4135 Cap end outlet	1	
13	STC4136 Cable thermal cut-out	1	
14	STC4137 Harness glow plug	1	
15	STC4139 Cover harness & glow plug	1	

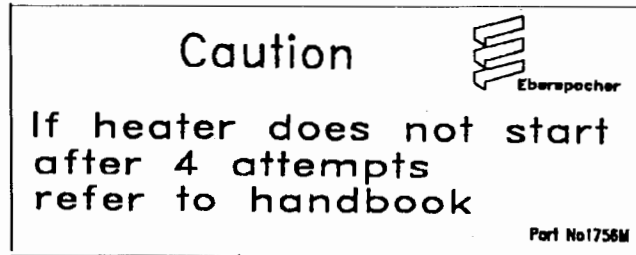
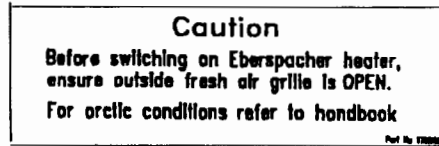
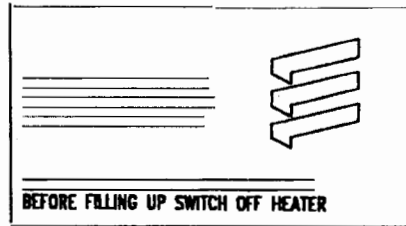
Note(1) For heater glow plug see page 203 - 204

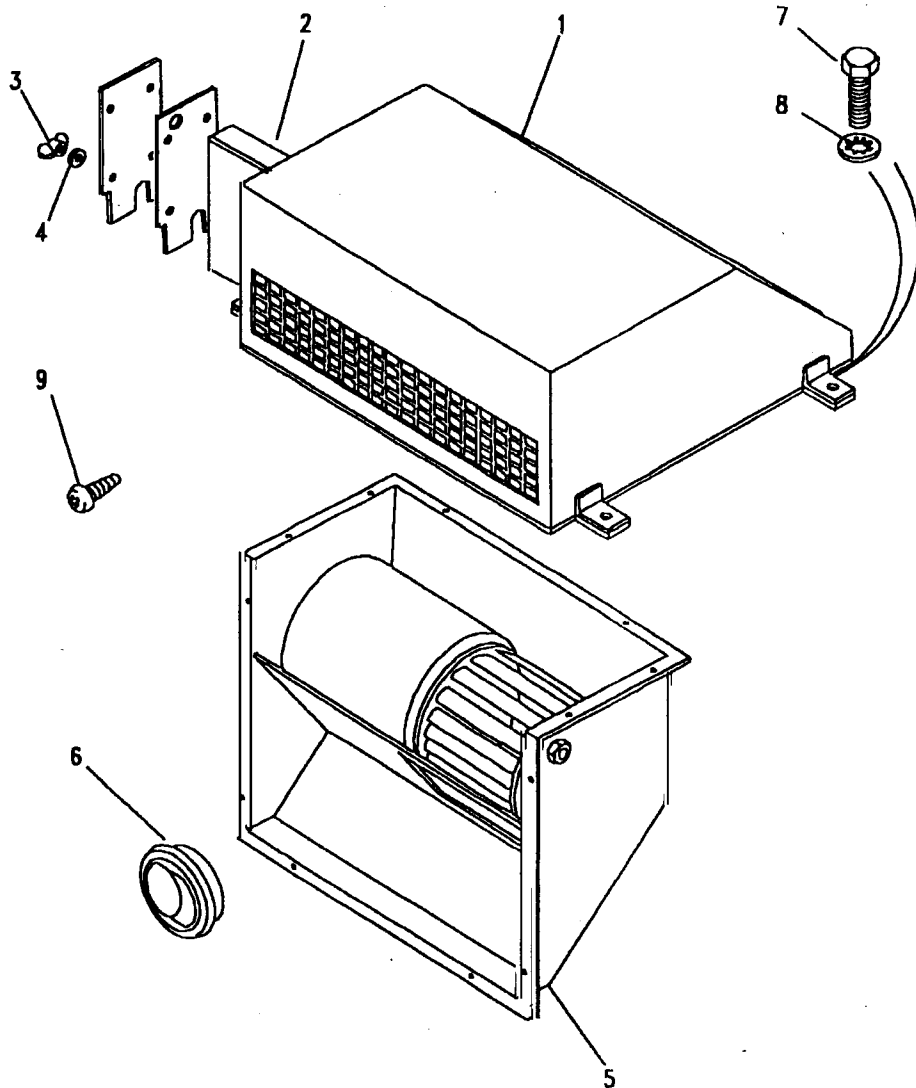
Model DEFENDER XD ALL VARIANTS
Page YDLXKA1F

HEATING SYSTEM - REAR BODY HEATER LABELS - AMBULANCE

III. Part No.	Description	Qty	Remarks
Labels for fuel burning heater installation			
1	STC4130 Kit label heater	1	Note(1)

Note(1) Includes 4 labels - fuel filling, warning isolate battery, caution fresh air grille, caution start attempts.





Model DEFENDER XD ALL VARIANTS
Page YDLXKA2A

HEATING SYSTEM - ROOF MOUNTED VENTILATION UNIT - AMBULANCE

Ill. Part No.	Description	Qty	Remarks
1	STC3638	1	Air box assembly
2	STC3639	1	Element filter
3	AFU1272	4	Wing nut M6
4	WC106041L	4	Washer plain M6
5	STC3641	1	Blower assembly
6	STC3445	4	Vent adjustable

Fixings - air box assembly

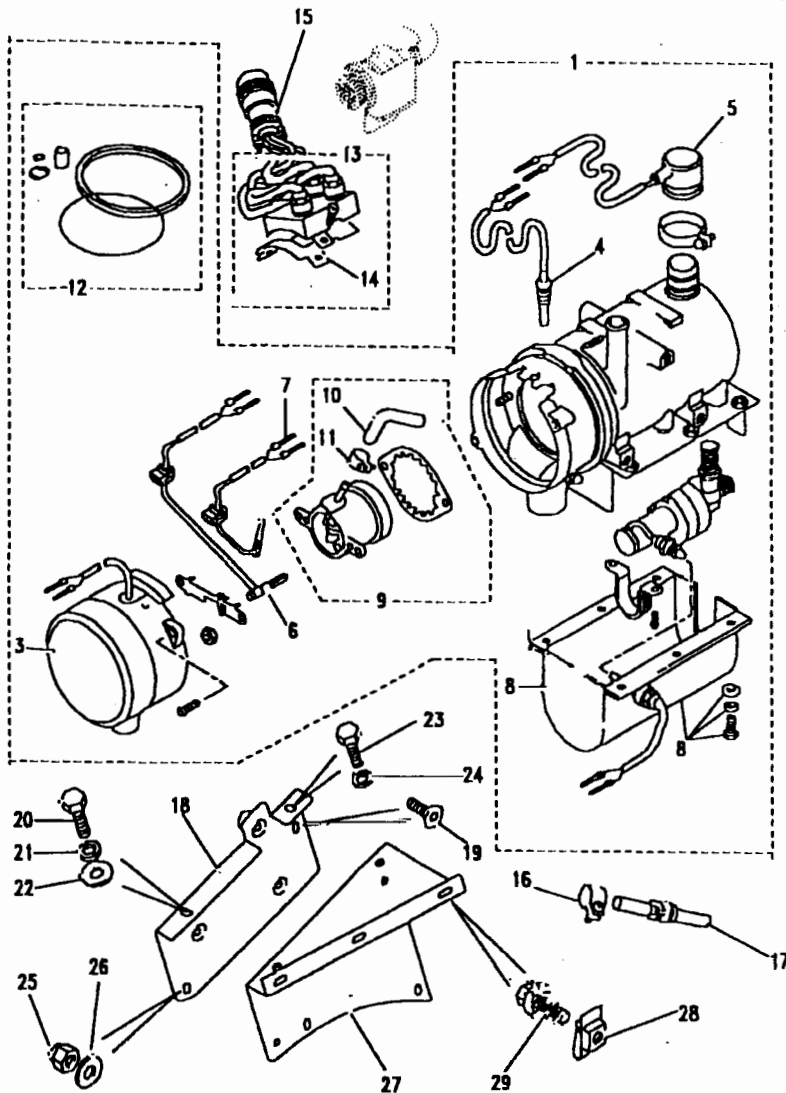
7	SH110251L	4	Screw M10 x 25
8	STC2698	4	Washer shakeproof M10

Fixings - blower assembly

9	AB610061L	12	Screw self tap No10 x 3/4
---	-----------	----	---------------------------

Adhesive & sealant

STC2505	Screwlock Loctite 222	A/R	50ml
STC2427	Sealant Sikaflex 221	A/R	Black 310ml



Model DEFENDER XD ALL VARIANTS
Page YDLXMA1A

HEATING SYSTEM - AUXILIARY HEATER - HEATER ASSEMBLY - WINTERISED

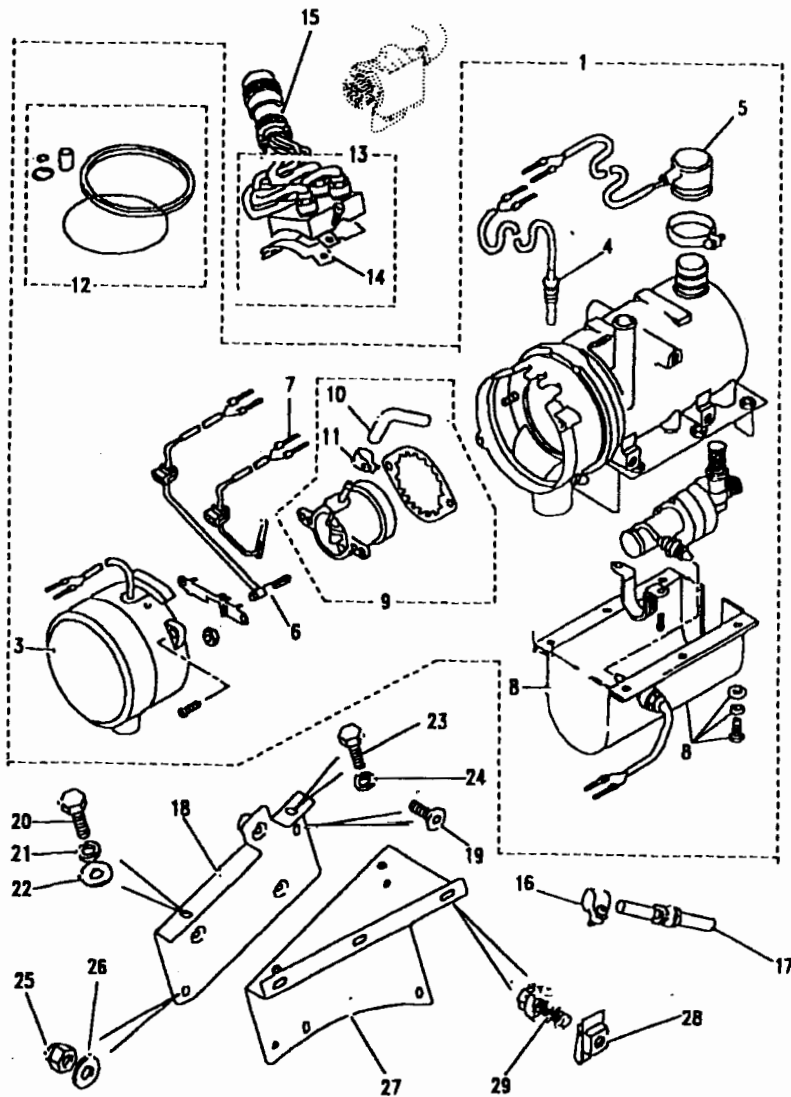
Ill. Part No.	Description	Qty	Remarks
Fuel burning heater unit - engine pre-start & body radiators			
1	IRB100010	1	
2	STC7409	1)Note(1)
3	STC4334	1)
4	STC4330	1)
5	STC4331	1)
6	STC7417	1)
7	STC7418	1)
8	STC4338	1)
9	STC7411	1)
10	STC7413	1)
11	IYC100020	1)
12	STC4329	1	Note(2)
13	STC4335	1	Note(3)
14	STC4355	1	
15	STC4336	1	
16	IYC100020	1	
17	IRP100010	1	
18	IPU100080	1	
19	SJ108308	3	

Note(1)
Note(2)

Supplied c/w component contact removal tool.
Contains O rings for combustion air fan, temperature sensor and water pump, flame detector sleeve, heat exchanger gasket and 30g tube of silicone sealant.

Note(3)

Contains screening braids, EMC cover, fixing screws and gasket.



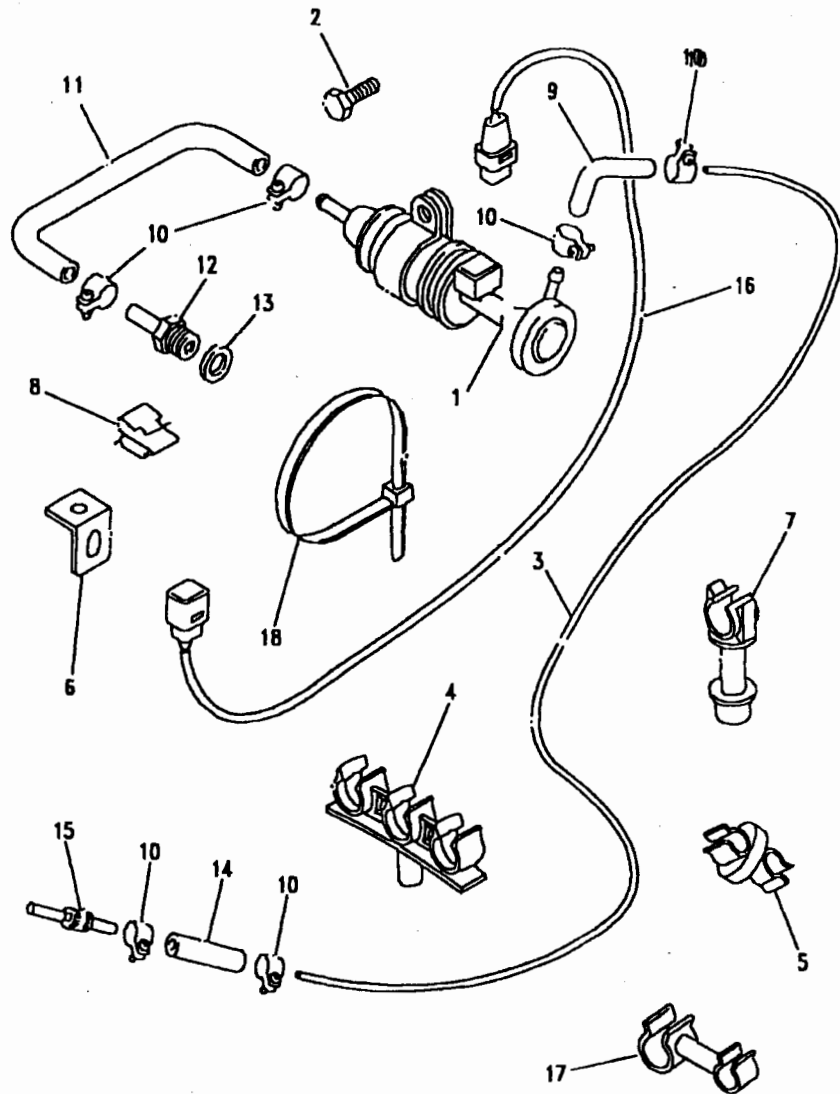
Model DEFENDER XD ALL VARIANTS
 Page YDLXMA1A

HEATING SYSTEM - AUXILIARY HEATER - HEATER ASSEMBLY - WINTERISED

III. Part No.	Description	Qty	Remarks
Fixings			
20	FS108207L Screw M8 x 20	1	
21	WL108001L Washer spring M8	1	
22	WA108051L Washer plain M8	1	
23	SH106121L Screw M6 x 12	1	
24	WL106001L Washer spring M6	1	
25	NY106047L Nut nyloc M6	2	
26	WA106041L Washer plain M6	3	
27	IPU100130 Bracket assembly mounting	1	
28	AFU1280 Clip	5)Fixing
29	FS106127L Screw M6 x 12	5)bracket to wing

Model DEFENDER XD ALL VARIANTS
 Page YDLXMA2A

HEATING SYSTEM - AUXILIARY HEATER - HEATER FUEL SUPPLY - WINTERISED



Ill. Part No.	Description	Qty	Remarks
Heater fuel pump & pipes			
1	STC4332	1	Pump fuel & P clip
2	FS108357	1	Screw M8 x 35
3	STC7423	A/R	Pipe fuel pump to heater 5m length
4	AFU1217	6	Clip pipe triple
5	DCP3969L	1	Clip
6	MTC4771	2	Bracket
7	NTC1176	3	Clip pipe single
8	345662	1	Clip edge
9	STC7413	1	Elbow fuel pipe
10	IYC100020	6	Clip fuel pipe 10mm
11	IRG100090	1	Pipe fuel sedmtr to pump
12	RRC5668	1	Adaptor fuel pipe
13	517706	1	Washer sealing
14	IPR100010	1	Connector tube
15	IRP100000	1	Coupling Q/R female
16	IRF100000	1	Harness fuel pump
17	PRC5681	3	Clip
18	UKC6684L	3	Cable tie 3.5 x 150mm

Model DEFENDER XD ALL VARIANTS
Page YDLXMA3A

HEATING SYSTEM - AUXILIARY HEATER - AIR INTAKE & EXHAUST - WINTERISED

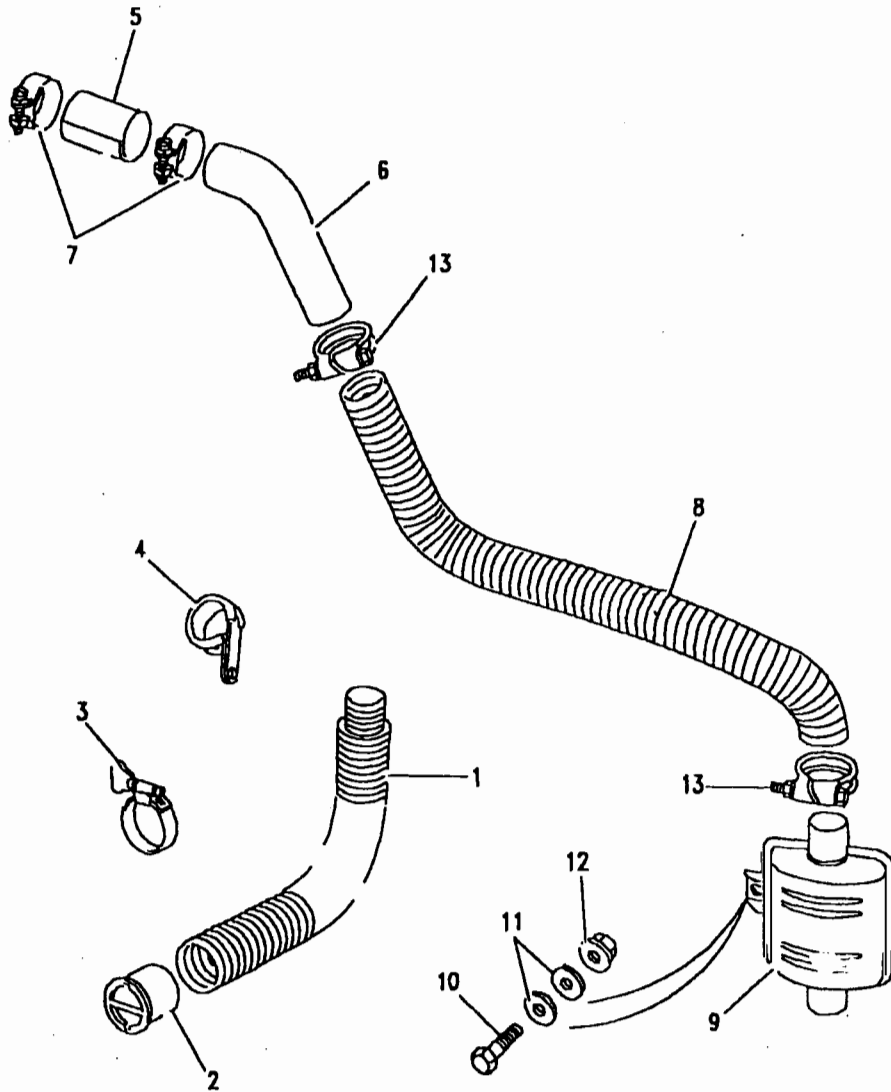
III. Part No. Description Qty Remarks

Heater air intake

1	IRG100070	Pipe air intake	1
2	STC4337	Cap end	1
3	IYC100030	Clip hose winged 30-45mm	1
4	IYC100090	Clip P rubber lined 45mm	1

Heater exhaust

5	IRQ100000	Sleeve exhaust	1
6	IRG100050	Exhaust pipe heater	1
7	IYC100030	Clip pipe	2
8	STC7435	Exhaust pipe flexible	A/R 1m length
9	STC7434	Silencer heater exhaust	1
10	BH110201L	Bolt M10 x 100	1
11	WA110001L	Washer plain M10	2
12	FX110047L	Nut locking M10	1
13	STC7436	Clamp	2





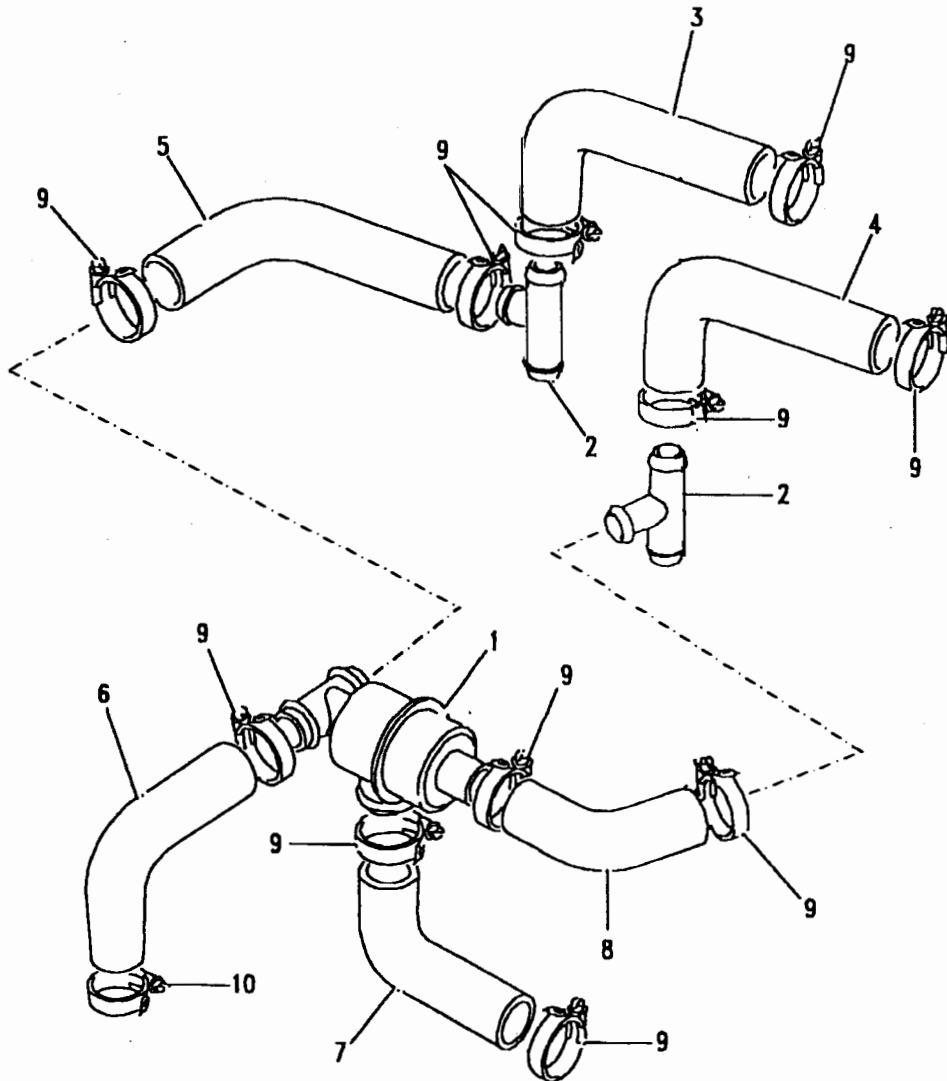
Model DEFENDER XD ALL VARIANTS
Page YDLXMA4A

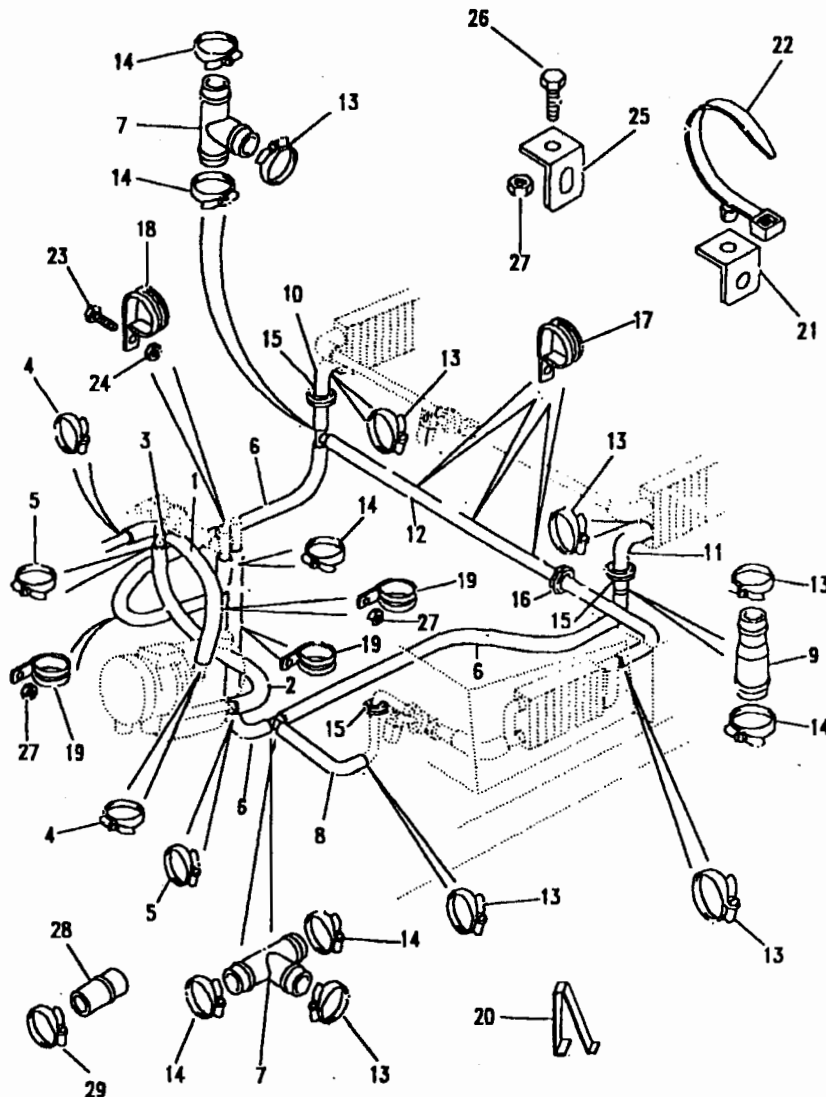
HEATING SYSTEM - AUXILIARY HEATER - THERMOSTATIC VALVE - WINTERISED

III. Part No. Description Qty Remarks

Thermostatic valve and hoses

Part No.	Description	Qty	Remarks
1	JJC100620	1	Valve thermostatic
2	IZS100000	2	T piece 20x20x20
3	JJH100050	1	Hose tee to htr matrix
4	JJH100060	1	Hose htr matrix to tee
5	JJH100040	1	Hose thermostal to tee
6	JJH100030	1	Hose cyl head to valve
7	IRH100040	1	Hose valve to aux htr
8	JJH100070	1	Hose tee to thermostat
9	CN100308L	11	Clip hose 20-30mm
10	CN100258L	1	Clip hose 16-25mm





Model DEFENDER XD ALL VARIANTS
Page YDLXMA5A

HEATING SYSTEM - AUXILIARY HEATER - HEATER HOSES - WINTERISED

III. Part No. Description Qty Remarks

Water circuit - heater unit inlet & outlet

1	IRH100010	Hose heater inlet	1	
2	IRH100000	Hose heater outlet	1	
3	IZS100030	Connector 20x20	1	
4	CN100308L	Clip hose 20-30mm x 9mm	2	Outlet hose
5	STC4333	Clip hose 20-30mm x 12mm	2	Inlet hose

Water circuit - rear radiator feed & return

6	STC7443	Hose	A/R	3.75m length
7	IZS100020	T piece 18x18x15	2	
8	JHB100780	Hose battery htr feed 15mm	1	
9	IZS100010	Adaptor 15x18	1	
10	IRN100000	Hose 15/18mm 90 deg elbow	1	
11	STC7445	Hose 15/15mm 90 deg elbow	1	
12	JHB100800	Hose battery htr return	1	
13	CN100258L	Clip hose 16-25mm	7	
14	CN100308L	Clip hose 20-30mm	7	
15	IYA100000	Grommet	3	
16	IYA100010	Grommet	1	
17	IYC100070	Clip P rubber lined 23mm	3	
18	NTC5027L	Clip P rubber lined 25mm	1	
19	IYC100080	Clip P rubber lined 27mm	3	
20	IPU100150	Bracket hose to seat base	1	90 only
21	IPU100140	Bracket hose to chassis	2	
22	YQR10016L	Tie plastic	2	
23	FS106207L	Screw M6 x 20	1	
24	FN106047L	Nut M6	1	
25	MTC4771	Bracket clip to body	1	
26	FS106167L	Screw M6 x 16	3	
27	FX106047L	Nut locking M6	5	

Water circuit - hose blanking cap - ambulance

28	IQH100010	Cap end heater hose	1	
29	CN100308L	Clip hose 20-30mm	1	

Model DEFENDER XD ALL VARIANTS
 Page YDLXMA6A

HEATING SYSTEM - AUXILIARY HEATER - BATTERY COMPARTMENT - WINTERISED

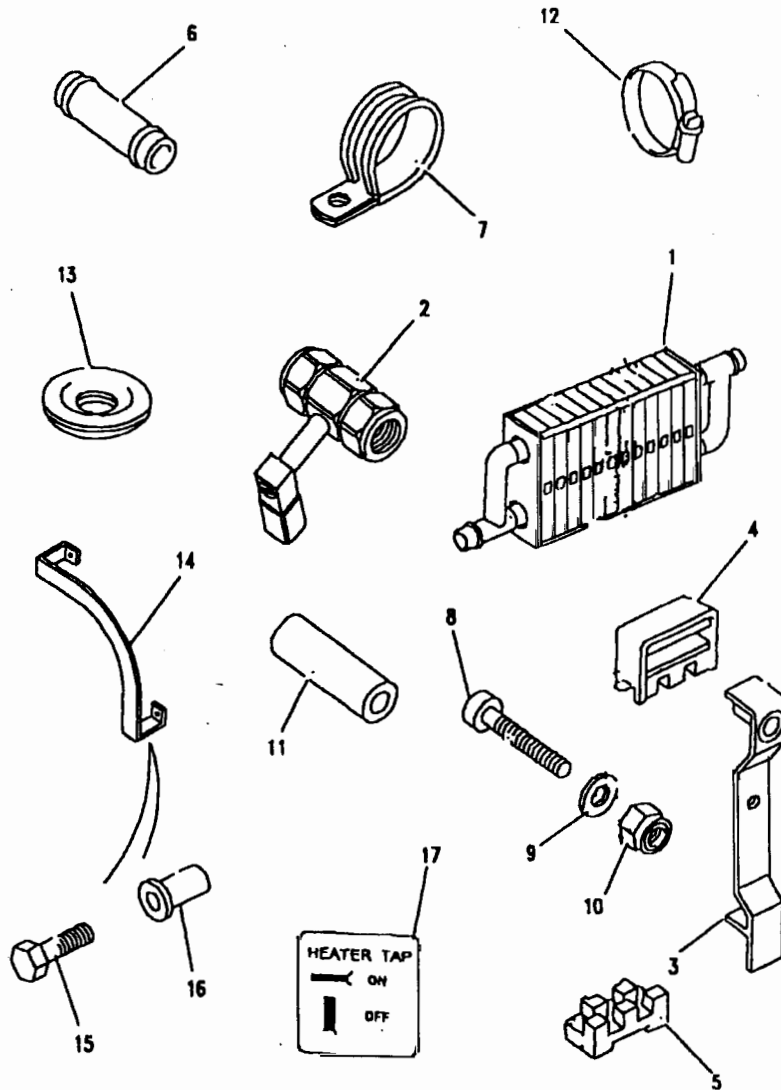
III. Part No. Description Qty Remarks

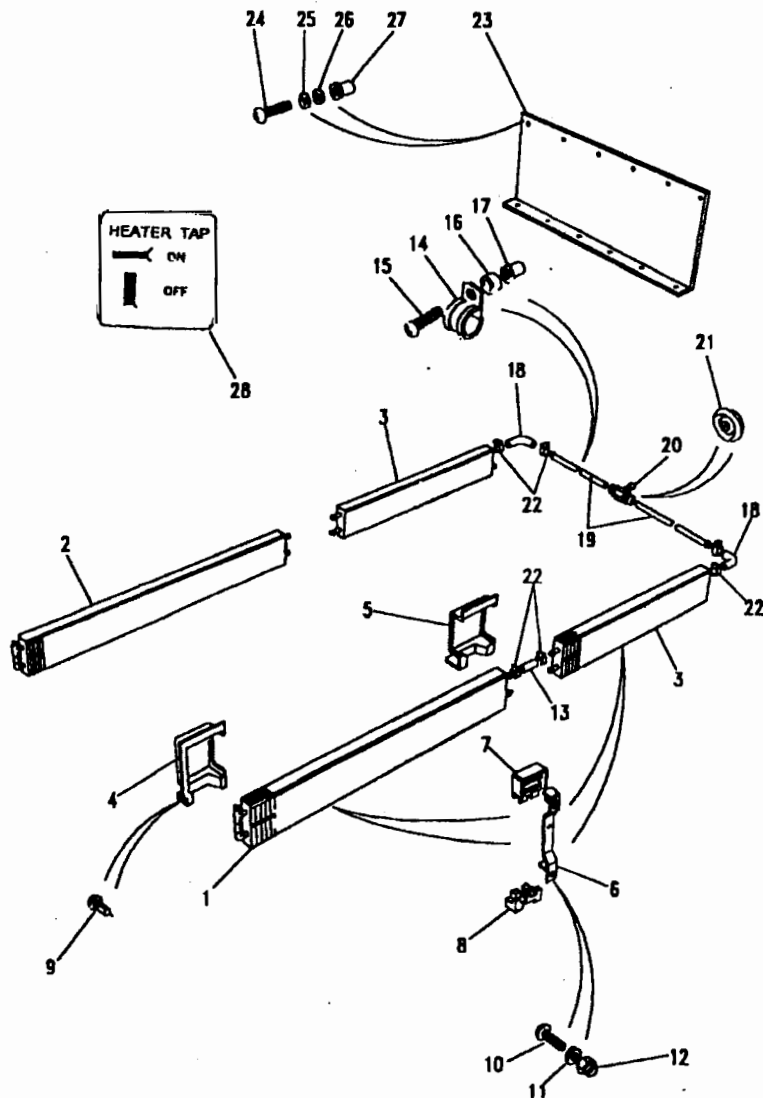
Water circuit - battery compartment radiator

1	IRC100030	Radiator assy batt compt	1
2	RRC7372	Tap	1
3	RRC7180	Bracket mounting	1
4	RRC7181	Block mounting upper	1
5	RRC7182	Block mounting lower	1
6	IRG100100	Pipe stub	1
7	IYC100000	Clip P rubber lined 16mm	1
8	SE105161	Screw M5 x 16	1
	SE105251	Screw M5 x 25	1
	SE105301L	Screw M5 x 30	1
9	WA105001L	Washer plain M5	4
10	NY105041L	Nut nyloc M5	3
11	IYF100040	Spacer	1
12	CN100258L	Clip hose 16-25mm	2
13	276054	Grommet	1
14	NRC9379	Guard tap	1
15	FS106167L	Screw M6 x 16	2
16	NN106021	Nutsert M6	2

Water circuit - heater tap operating label

17	IPP100120	Label heater tap	1
----	-----------	------------------	---





Model DEFENDER XD ALL VARIANTS
Page YDLXMA7A

HEATING SYSTEM - AUXILIARY HEATER - REAR BODY - WINTERISED

III. Part No. Description Qty Remarks

Water circuit - rear body radiators

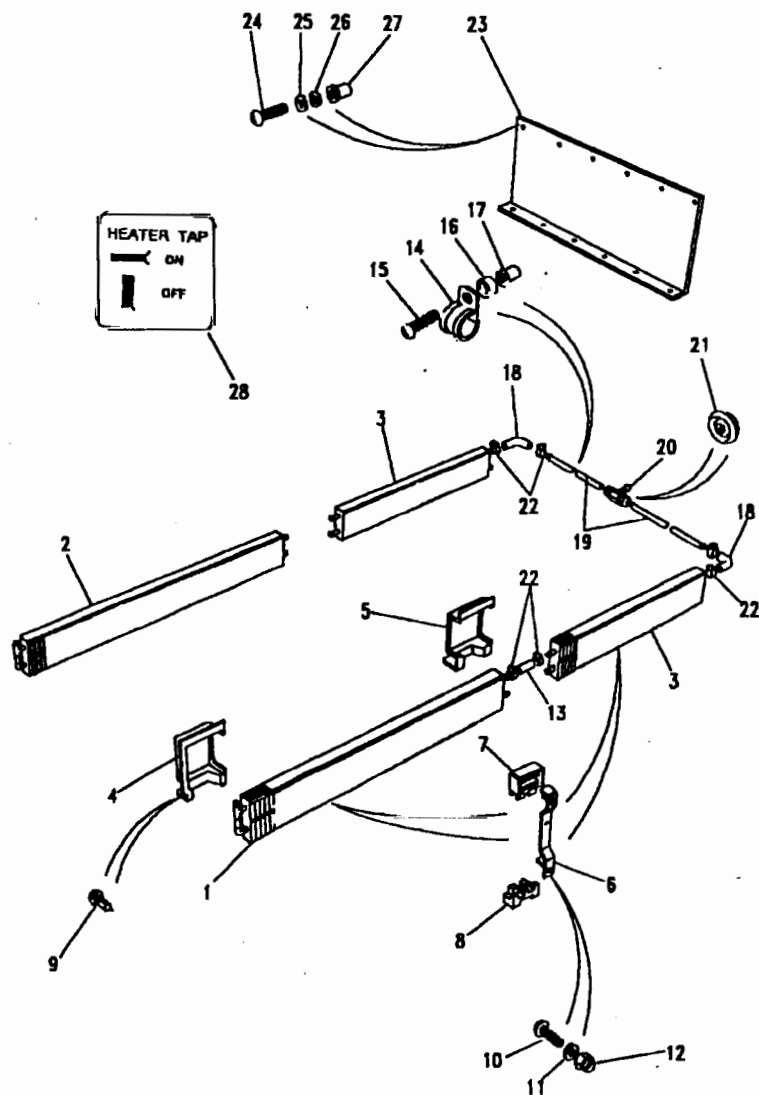
1	RRC7178	Radiator rear RH	1	
2	RRC7179	Radiator rear LH	1	
3	RRC7177	Radiator intermediate	2	110 only
4	RRC7183	Cover end RH	1	
	RRC7184	Cover end LH	1	
5	RRC7047	Cover centre	2	110 only
6	RRC7180	Bracket mounting	8	
7	RRC7181	Block mounting upper	8	
8	RRC7182	Block mounting lower	8	

Fixings - rear body radiators

9	AB606044L	Screw drive	8	Fixing covers
10	SE105161	Screw M5 x 16	8)Fixing
	SE105251	Screw M5 x 25	8)radiators
11	WA105001L	Washer plain M5	24)
12	NY105041L	Nut nyloc M5	16)

Water circuit - rear body radiator pipes & shut-off tap

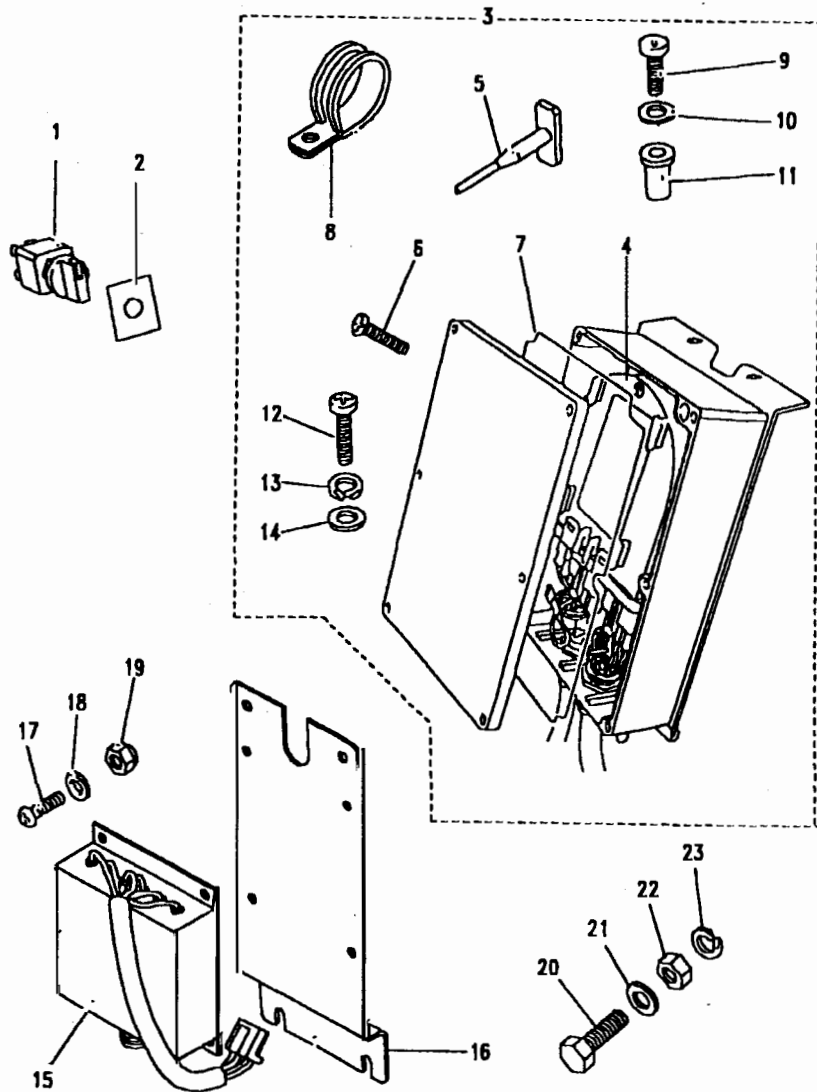
13	RRC7465	Pipe connecting	4	110 only
14	IYC100000	Clip P rubber lined	2	
15	SH106301	Screw M6 x 30	2	
16	IYF100040	Spacer	2	
17	NN106021	Nutsert M6	2	
18	IRN100030	Hose 15mm 90 deg elbow	2	
19	STC4339	Pipe radiator to tap	2	
20	RRC7372	Tap	1	
21	276054	Grommet	1	
22	CN100258L	Clip hose 16-25mm	14	
23	IQJ100030	Plate pipe protection	1	



Model DEFENDER XD ALL VARIANTS
Page YDLXMA7A

HEATING SYSTEM - AUXILIARY HEATER - REAR BODY - WINTERISED

III. Part No.	Description	Qty	Remarks
Fixings - pipe protection plate			
24	SE105161	6	Screw M5 x 16
25	WL105001	6	Washer spring M5
26	WA105001L	6	Washer plain M5
27	NN105011L	6	Nutsert M5
Water circuit - heater tap operating label			
28	IPP100120	1	Label heater tap



Model DEFENDER XD ALL VARIANTS
Page YDLXMA8A

HEATING SYSTEM - AUXILIARY HEATER - CONTROL SYSTEM - WINTERISED

III. Part No. Description Qty Remarks

Dash mounted rotary switch - note(1)

1	YUK100250	Switch auxiliary heater	1
2	QRD100010	Label heater switch	1

Heater control box assembly

3	IRK100000	ECU box assembly heater	1	Note(2)
4	IRK100010	ECU heater control	1	
5	STC7421	Tool component removal	1	
6	IYP100030	Screw lid fixing	6	
7	IZB100000	O ring seal	1	
8	STC4341	Clip P rubber lined	1	
9	FS106167L	Screw M6 x 16	2	
10	WA106041L	Washer plain M6	2	
11	NN106021	Nutsert M6	2	
12	FS108207L	Screw M8 x 20	2	
13	WL108001L	Washer spring M8	2	
14	WA108051L	Washer plain M8	2	

RFI filter c/w 6 way plug

15	[REDACTED]	Filter RFI aux heater	1
16	IPU100120	Bracket mounting	1
17	SH105121L	Screw M5 x 12	4
18	WA105001L	Washer plain M5	4
19	NY105041L	Nut nyloc M5	4
20	FS106167L	Screw M6 x 16	2
21	WA106041L	Washer plain M6	2
22	FX106047L	Nut locking M6	2
23	WL106001L	Washer spring M6	2

Note(1)
 Note(2)

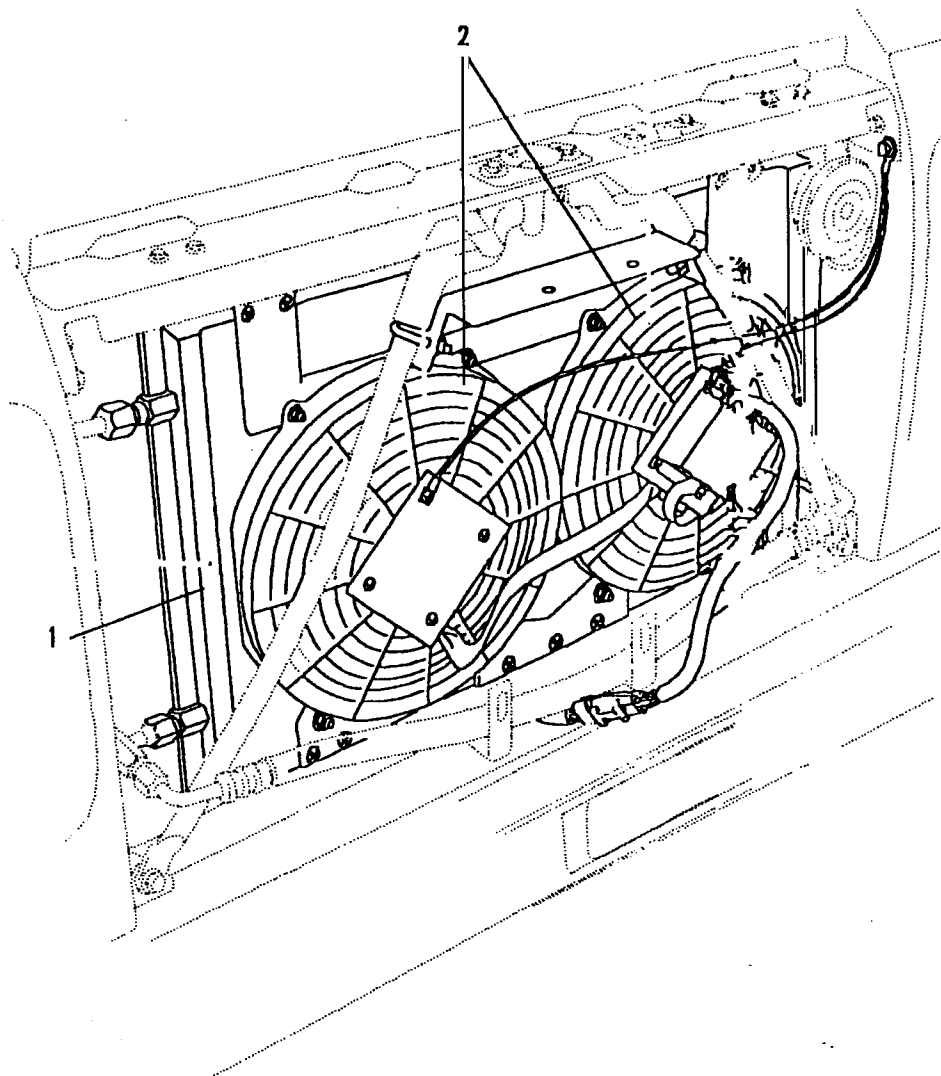
Console mounted on waterproof vehicles - see page 278 - 280
 Supplied with attached harness & P clip.

Model DEFENDER XD ALL VARIANTS
Page YDLXPC1A

AIR CONDITIONING - CONDENSER ASSEMBLY - TROPICAL AMBULANCE

III. Part No.	Description	Qty	Remarks
1 JRB101040	Condenser assembly	1	Note(1)
2 JRP100070	Fan assy a/c condenser	1	Note(2)

Note(1) Supplied with mounting brackets but without fans.
 Note(2) For earth bonding leads - see page 311

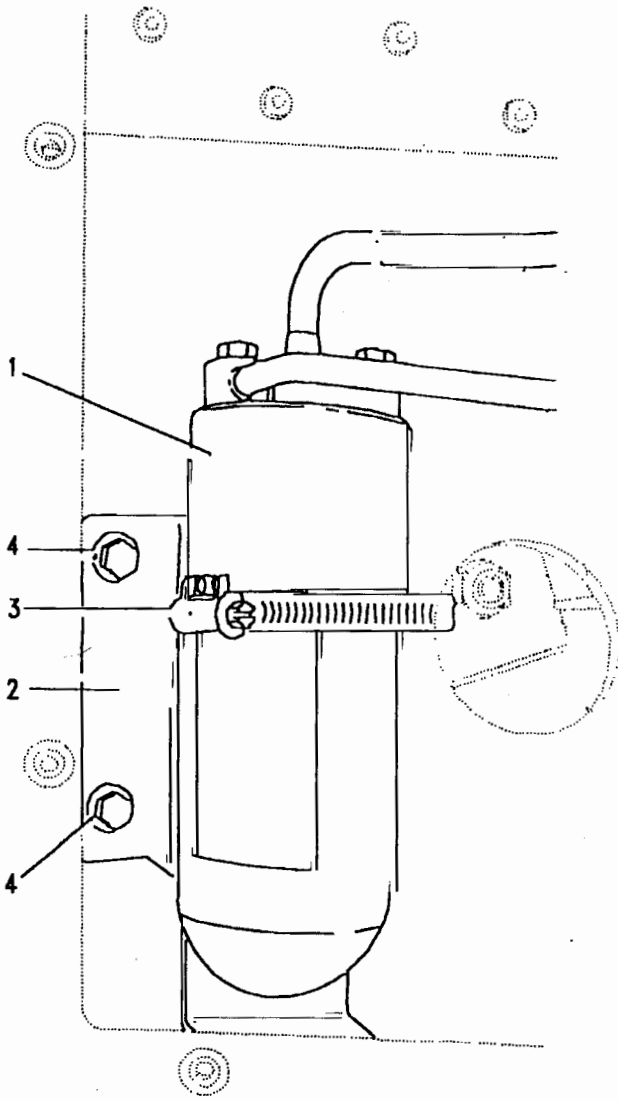




Model DEFENDER XD ALL VARIANTS
Page YDLXPC2A

AIR CONDITIONING - RECEIVER DRIER - TROPICAL AMBULANCE

III. Part No.	Description	Qty	Remarks
1 JRJ100700	Receiver drier	1	
2 JRF100640	Bracket mounting	1	
3 STC3975	Clip worm drive	1	
4 FS105161P	Screw M5 x 16	2	

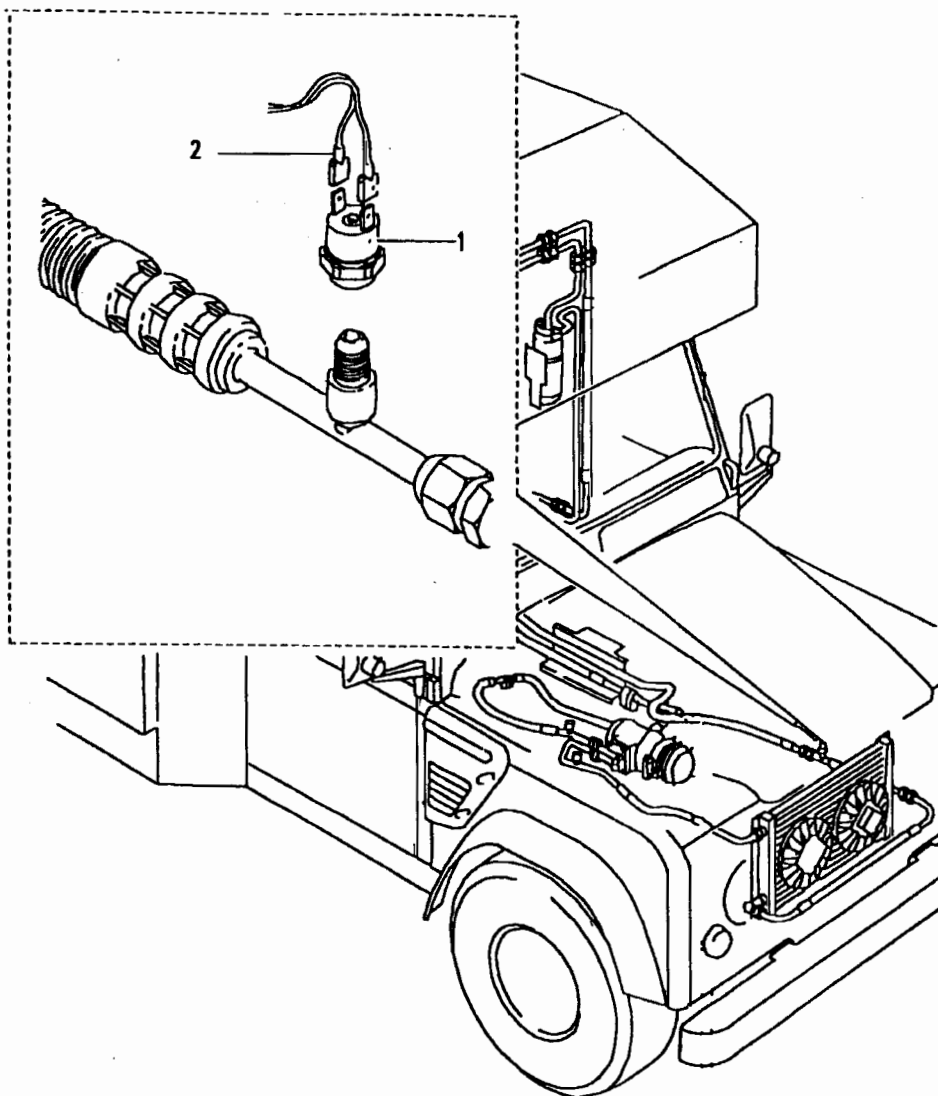


Model DEFENDER XD ALL VARIANTS
Page YDLXPC3A

AIR CONDITIONING - PRESSURE SWITCH - TROPICAL AMBULANCE

III. Part No.	Description	Qty	Remarks
1	JTB100350 Switch pressure air-con	1	Note(1)
2	YMQ104840 Harness pressure switch	1	

Note(1) Includes non-replaceable seal.



Model DEFENDER XD ALL VARIANTS
Page YDLXPC4A

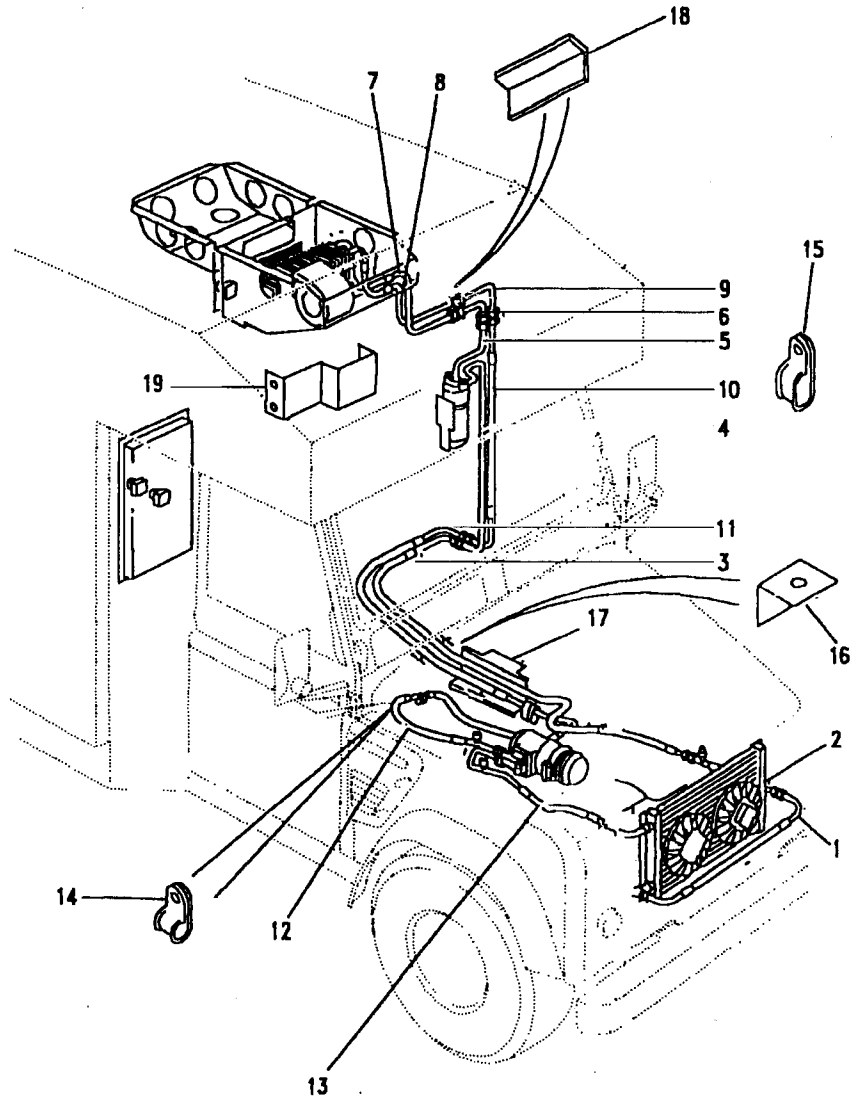
**AIR CONDITIONING - REFRIGERANT PIPES & HOSES - TROPICAL
 AMBULANCE**

III. Part No. Description Qty Remarks

Pipes & hoses

1	JUF102840	Hose liquid condenser	1
2	JUF102850	Hose liquid engine bay	1
3	JUF102860	Hose liquid underbody	1
4	JUF102870	Hose liquid to r/drier	1
5	JUE110210	Pipe liquid from r/drier	1
6	JUF102880	Hose liquid locker	1
7	JUF102890	Hose liquid evap housing	1
8	JUF102830	Hose suction evap housing	1
9	JUF102820	Hose suction locker	1
10	JUF102810	Hose suction vertical	1
11	JUF102800	Hose suction underfloor	1
12	JUF102790	Hose suction engine bay	1
13	JUF102780	Hose compressor discharge	1
14	AYC100140	Clip P single	1
15	AYC100150	Clip P double	6
16	ABU710140	Bracket mounting pipes	1
17	JUK100050	Guard pipes underbody	1
18	JUK100060	Guard pipes locker	1
19	JUK100070	Guard pipes rifle butt	1

Note(1) For O ring seals - see page 222





Model DEFENDER XD ALL VARIANTS

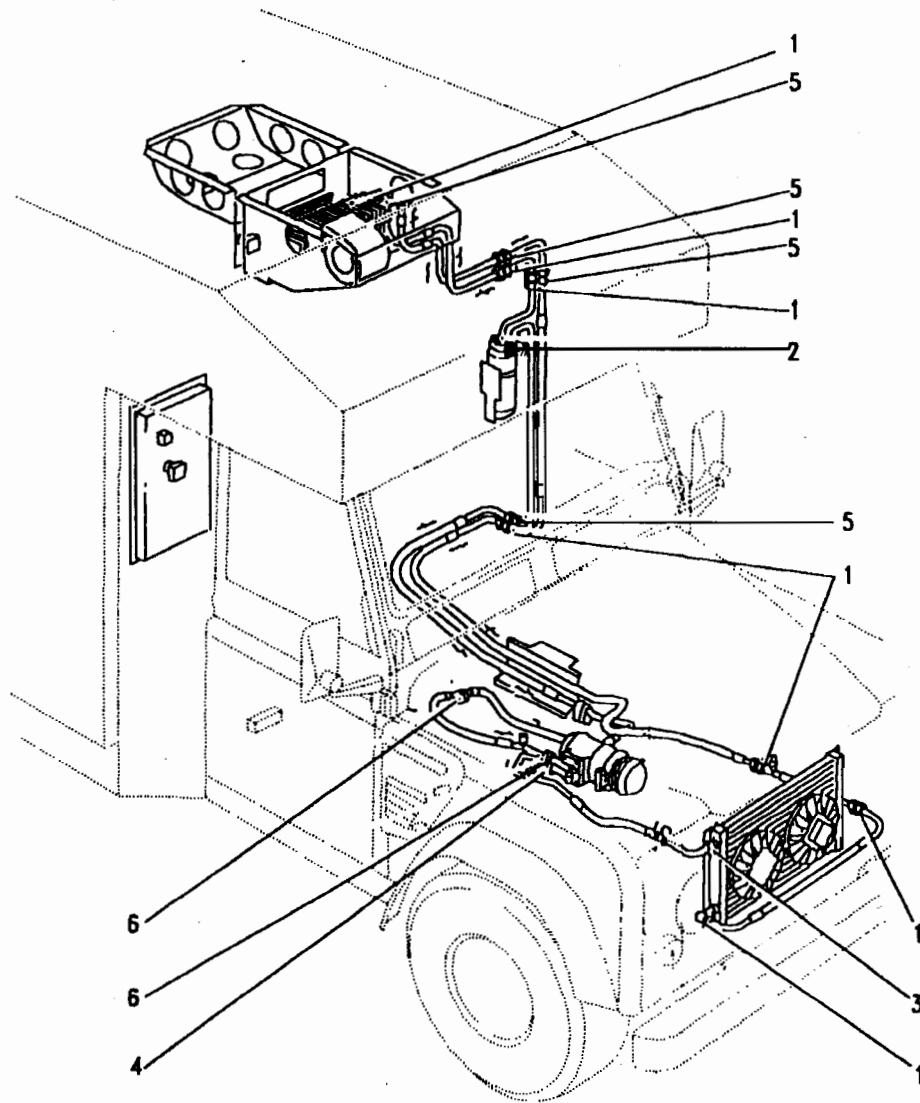
Page YDLXPC5A

AIR CONDITIONING - REFRIGERANT PIPES & HOSES - TROPICAL AMBULANCE

III. Part No.	Description	Qty	Remarks
---------------	-------------	-----	---------

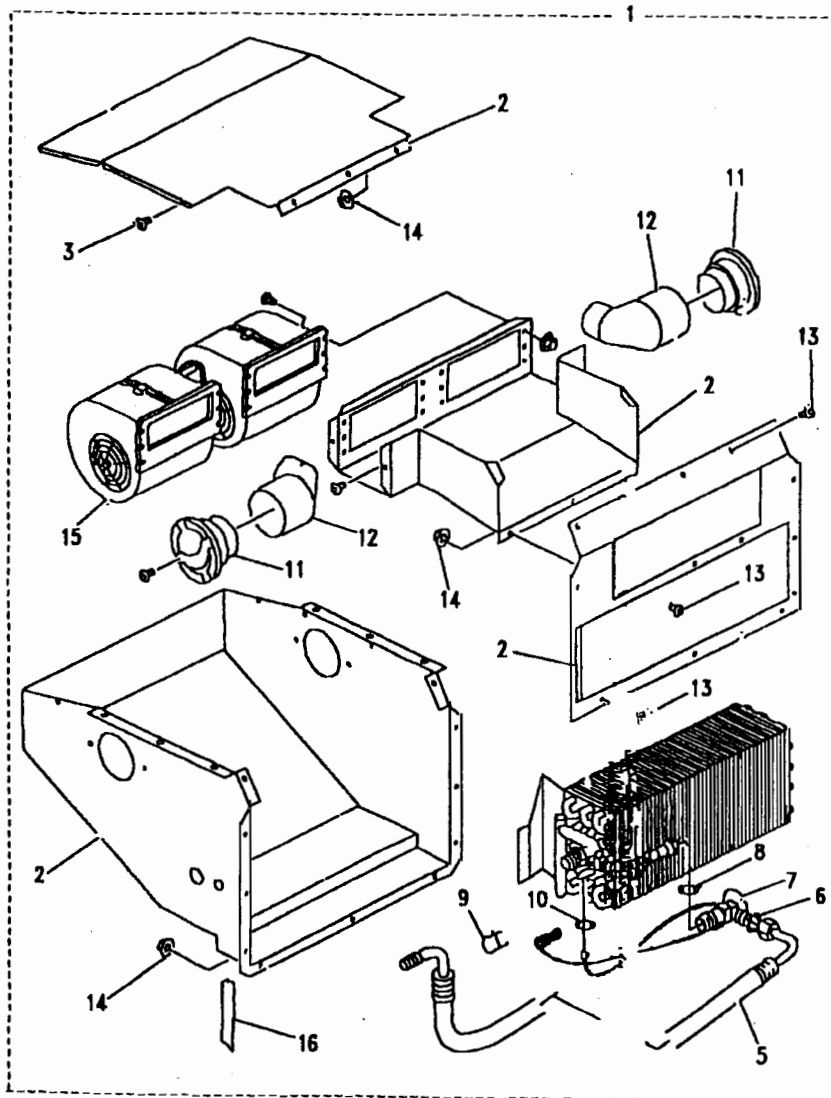
O ring seals

1	STC3191	O ring No6	7
2	JUU100670	O ring No6 pad	2
3	STC3192	O ring No8	1
4	STC4271	O ring No8 pad	1
5	STC4269	O ring No10	4
6	STC4272	O ring No10 pad	2

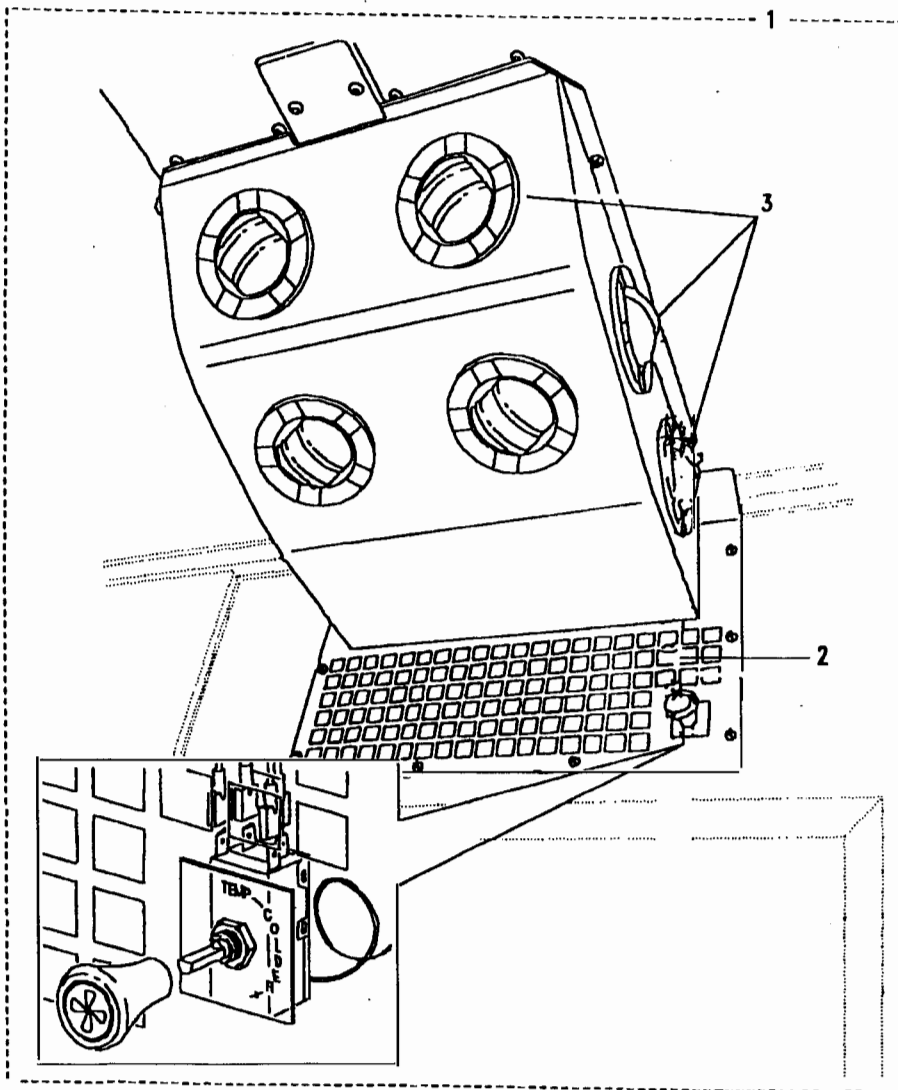


Model DEFENDER XD ALL VARIANTS
 Page YDLXPC6A

AIR CONDITIONING - EVAPORATOR UNIT - TROPICAL AMBULANCE



Ill. Part No.	Description	Qty	Remarks
1	JQB101780 Evaporator assembly	1	
2	JQB101850 Housing	1	
3	RA610236 Rivet	6	
4	JQB101740 Evaporator matrix	1	
5	JUE110220 Hose liquid TXV	1	
6	STC3191 O ring No6	1	
7	JQD100470 Valve expansion	1	
8	STC3192 O ring TXV to matrix	1	
9	JUP100290 Clip TXV bulb to pipe	1	
10	JUU100720 O ring pressure conn	1	
11	IQN100020 Vent adjustable	2	
12	JQI100060 Adaptor tube	2	
13	FS105161P Screw M5 x 16	24	
14	ASR1185 Nutsert M5	24	
15	PGG101210 Blower unit	1	
16	JUF102900 Hose drain	1	



Model DEFENDER XD ALL VARIANTS
Page YDLXPC7A

**AIR CONDITIONING - DUCT VENTILATION REAR - TROPICAL
 AMBULANCE**

III. Part No.	Description	Qty	Remarks
---------------	-------------	-----	---------

Rear ventilation duct assembly

1	AHE710010	Duct assembly	1	Note(1)
2	JMT100000	Filter mesh	1	
3	STC3445	Vent adjustable	8	

Adhesive & sealant

STC2428	Sealant Sikaflex 221	A/R	White 310ml
---------	----------------------	-----	-------------

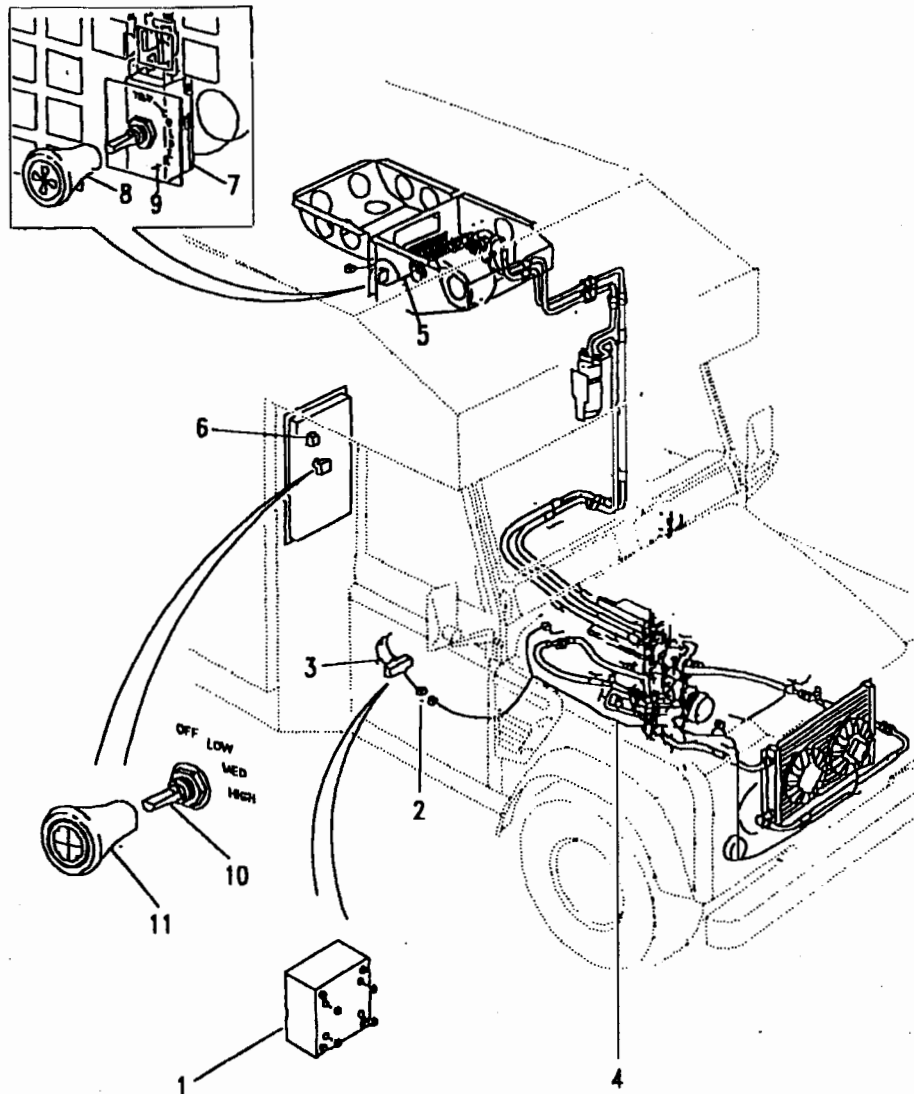
Note(1) Includes new thermostat, adjustable vents and mesh filter.
 Note(2) For thermostatic control - see page 225

Model DEFENDER XD ALL VARIANTS
 Page YDLXPC8A

AIR CONDITIONING - CONTROL SYSTEM - TROPICAL AMBULANCE

Ill. Part No.	Description	Qty	Remarks
1	IPC100010	1	
2	YMQ105020	1	
3	IPX100040	1	
4	YMG101340	1	
5	JOA100080	1	
6	PRC9671	1	Note(1)
7	JQL100100	1	
8	JQL100110	1	
9	QRD100020	1	
10	YUG103060	1	
11	YUM100160	1	

Note(1) Control relay - for power relay, see page 286





MASTER INDEX

	PAGES
INTRODUCTION PAGES	1 - 4
ALPHABETICAL INDEX	5 - 16
ENGINE	17 - 57
GEARBOX	58 - 74
TRANSFER BOX	75 - 90
AXLES AND SUSPENSION	91 - 129
STEERING	130 - 141
VEHICLE AND ENGINE CONTROLS	142 - 148
BRAKES	149 - 161
FUEL SYSTEM AND AIR CLEANER	162 - 179
EXHAUST SYSTEM	180 - 185
COOLING/HEATING	186 - 225
BODY ELECTRICAL	226 - 319
BODY AND CHASSIS	320 - 444
INTERIOR TRIM	445 - 459
SEATS	460 - 473
STOWAGE	474 - 482
ACCESSORIES - PAINTS	483 - 495
NUMERICAL INDEX	497 - 530

GROUP M

BODY ELECTRICAL

BODY ELECTRICAL	
LAMPS - HEADLAMPS	228
LAMPS - HEADLAMPS - AMBULANCE	229
LAMPS - FRONT - SIDE & INDICATOR	230
LAMPS - SIDE REPEATER	231 - 232
LAMPS - REAR - INDICATOR, FOG & REVERSE	233
LAMPS - REAR - STOP, TAIL & NUMBER PLATE	234 - 235
REAR RETRO-REFLECTORS	236
LAMPS - LAMP CONVOY	237
LAMPS - ROTATING BEACONS	238
LAMP MAP READING	239
LAMP MAP READING - WATERPROOF	240
INTERIOR ROOF LAMPS - AMBULANCE	241 - 242
FLOODLIGHT & INSPECTION LAMP - AMBULANCE	243
VEHICLE BATTERIES & CABLES	244
BATTERY FIXINGS	245
INTER VEHICLE STARTING SOCKET	246
TERMINAL POSTS - POWER SUPPLY - AMBULANCE	247
HARNESS MAIN	248 - 249
HARNESS MAIN - WATERPROOF	250 - 251
HARNESS SUPPLEMENTARY - AMBULANCE	252
FUSE BOX - INTERIOR	253
FUSE BOX - UNDER-BONNET	254
FUSE BOX - DASH MOUNTED - WATERPROOF	255
HARNESS CHASSIS	256
HARNESS CHASSIS - AMBULANCE	257
HARNESS CONVOY LAMP	258
HARNESS REAR BODY	259
HARNESS FUEL SYSTEM - 90	260
HARNESS ENGINE	261
HARNESS ENGINE - ALTERNATOR LINKS - WATERPROOF	262 - 264
HARNESS FFR CHARGING INTERLINK	265
HARNESS EGR	266
HARNESS INSTRUMENT	267
HARNESS HEADLAMP LEVEL RESISTOR	268
HARNESS HEADLAMP LEVEL RESISTOR - AMBULANCE	269
HARNESS REAR END DOOR - WINTERISED	270
SOCKET NATO 12 PIN TRAILER CONNECTION	271
SWITCHES - STEERING COLUMN	272





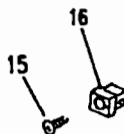
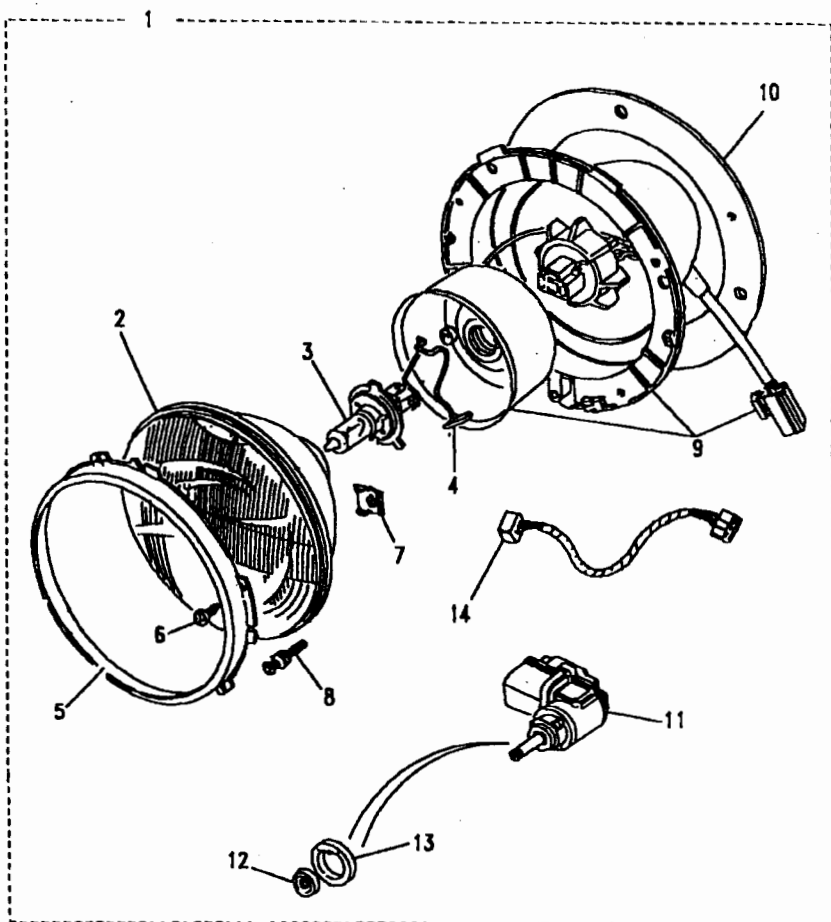
DEFENDER XD ALL VARIANTS

227

BODY ELECTRICAL

SWITCHES - STEERING COLUMN - WATERPROOF	273
SWITCHES - DASH UPPER	274
SWITCHES - DASH UPPER - AMBULANCE	275
SWITCHES - DASH LOWER	276
AUXILIARY DASH PANEL	277
CENTRE CONSOLE - WATERPROOF	278 - 280
POWER DISTRIBUTION PANEL - AMBULANCE	281 - 282
RESUSCITATOR SOCKETS - AMBULANCE	283
GLOW PLUG TIMER	284
RELAY FFR CHARGING	285
RELAYS, FLASHER UNIT & WASH/WIPE DELAY UNIT	286
RELAYS - SIREN & BEACONS - AMBULANCE	287
RUN ENGINE WARNING UNIT & BUZZER - AMBULANCE	288
ECU - EXHAUST GAS RECIRCULATION	289
ECU - FFR CHARGING	290
ECU - HEATER CONTROL - AMBULANCE	291
HORN	292
HORN - TWO-TONE SIREN - AMBULANCE	293
INSTRUMENTS	294 - 295
INSTRUMENTS - WATERPROOF	296
INSTRUMENTS - AMMETER	297
RADIO - ANTENNA MOUNTINGS & LEADS	298 - 299
RADIO - SUPPORT RACKING	300
RADIO - TABLE & BATTERY BOX	301 - 302
RADIO - BATTERY LEADS & FIXINGS	303
RADIO - BATTERY VENTILATION	304
RADIO - POWER SUPPLY FUSE BOX	305
RADIO - TERMINAL BOX	306
RADIO - TERMINAL BOX - WATERPROOF	307 - 308
RADIO - ELECTRICAL BONDING LEADS	309 - 310
RADIO - ELECTRICAL BONDING LEADS - AMBULANCE	311
SCREEN WIPERS FRONT	312
SCREEN WIPERS FRONT - WATERPROOF	313 - 314
SCREEN WASH FRONT	315
SCREEN WASH FRONT - WINTERISED	316
SCREEN WASH FRONT & REAR - WINTERISED	317
SCREEN WIPER REAR - WINTERISED	318
SCREEN WIPER REAR - WATERPROOF	319



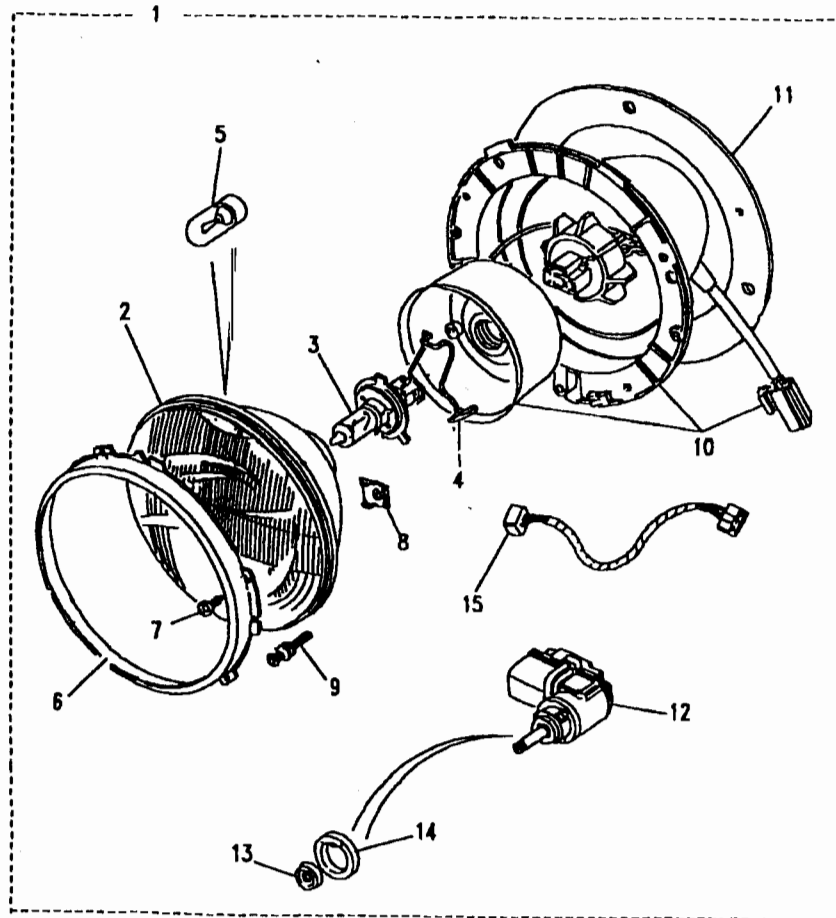


Model DEFENDER XD ALL VARIANTS
Page YDMXAA1A

ELECTRICAL - LAMPS - HEADLAMPS

III. Part No.	Description	Qty	Remarks
Headlamp assembly			
1 RRC8288	Headlamp assembly	2	RH Stg
XBC105180	Headlamp assembly	2	RH Stg Waterproof
RRC8287	Headlamp assembly	2	LH Stg
2 STC3014	Light unit	2	RH Stg
XCL100020	Light unit	2	RH Stg Waterproof
STC3015	Light unit	2	LH Stg
3 STC3016	Bulb 24V H4	2	Note(1)
4 STC1851	Clip bulb retaining	2	
5 STC3018	Bezel headlamp	2	
6 STC1486	Screw bezel	6	
7 STC3020	Clamp bezel	6	
8 STC3021	Screw adjusting	4	
9 STC3025	Body & cable assembly	2	Note(2)
10 STC3022	Gasket headlamp	2	
11 STC3023	Actuator headlamp	2	
XBS100240	Actuator headlamp	2	Waterproof
12 STC8646	Seal rubber	2	
13 STC3037	Gasket rubber	2	
14 STC3059	Link lead actuator	2	Note(2)
Fixings - headlamp to body			
15 DYP10038L	Screw	8	
16 79051	Nut lokut	8	
Silicone grease - all variants			
BAU5812L	Grease waterproof DC4	A/R	100g tube

Note(1) When changing bulb, ensure that cover is resealed with grease.
Note(2) For standard (non-waterproof) vehicles only.

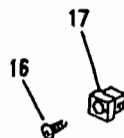


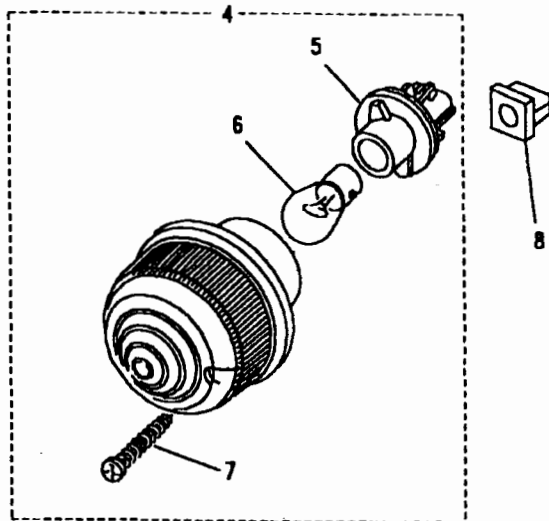
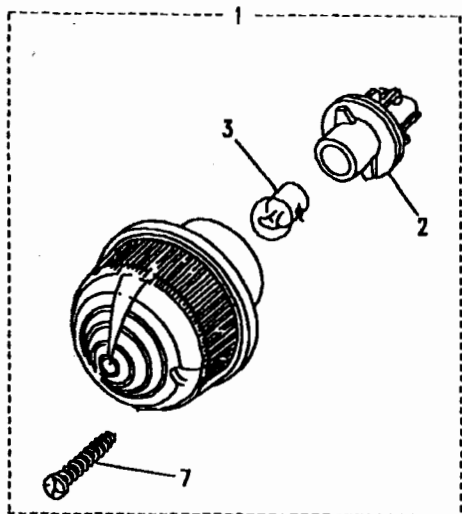
Model DEFENDER XD ALL VARIANTS
 Page YDMXAA1B

ELECTRICAL - LAMPS - HEADLAMPS - AMBULANCE

III. Part No.	Description	Qty	Remarks
Headlamp assembly			
1 RRC8678	Headlamp assembly	2	RH Stg
RRC8679	Headlamp assembly	2	LH Stg
2 STC3180	Light unit	2	RH Stg
STC3181	Light unit	2	LH Stg
3 STC3016	Bulb main/dip 24V H4	2	Note(1)
4 STC1851	Clip bulb retaining	2	
5 AMR1772	Bulb sidelight 24V 4W	2	
6 STC3018	Bezel headlamp	2	
7 STC1486	Screw bezel	6	
8 STC3020	Clamp bezel	6	
9 STC3021	Screw adjusting	4	
10 STC3025	Body & cable assembly	2	
11 STC3022	Gasket headlamp	2	
12 STC3023	Actuator headlamp	2	
13 STC8646	Seal rubber	2	
14 STC3037	Gasket rubber	2	
15 STC3059	Link lead actuator	2	
Fixings - headlamp to body			
16 DYP10038L	Screw	8	
17 79051	Nut lokut	8	
Silicone grease			
BAU5812L	Grease waterproof DC4	A/R	100g tube

Note(1) When changing bulb, ensure that cover is resealed with grease.





Model DEFENDER XD ALL VARIANTS
Page YDMXAC1A

ELECTRICAL - LAMPS - FRONT - SIDE & INDICATOR

III. Part No.	Description	Qty	Remarks
1 AMR2455	Lamp side	2	Note(1&2)
AMR6518	Lamp side	2	Note(1&3)
XBD100860	Lamp side	2	Note(1&4)
2 AMR5248	Bulb holder	2	Note(2)
XBP100180	Bulb holder	2	Note(3&4)
3 STC3065	Bulb 24V 5W	2	
4 AMR2456	Lamp indicator front	2	Note(2)
AMR6517	Lamp indicator front	2	Note(3)
XBD100790	Lamp indicator front	2	Note(4)
5 AMR5248	Bulb holder	2	Note(2)
XBP100180	Bulb holder	2	Note(3&4)
6 STC3066	Bulb 24V 21W	2	
7	Screw	8	NSP - note(5)
8 RTC3745	Nut lokut	8	

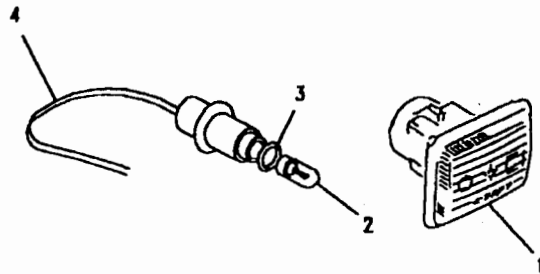
Silicone grease - note(4)
 STC4358 Grease waterproof DC111 A/R 100g tube

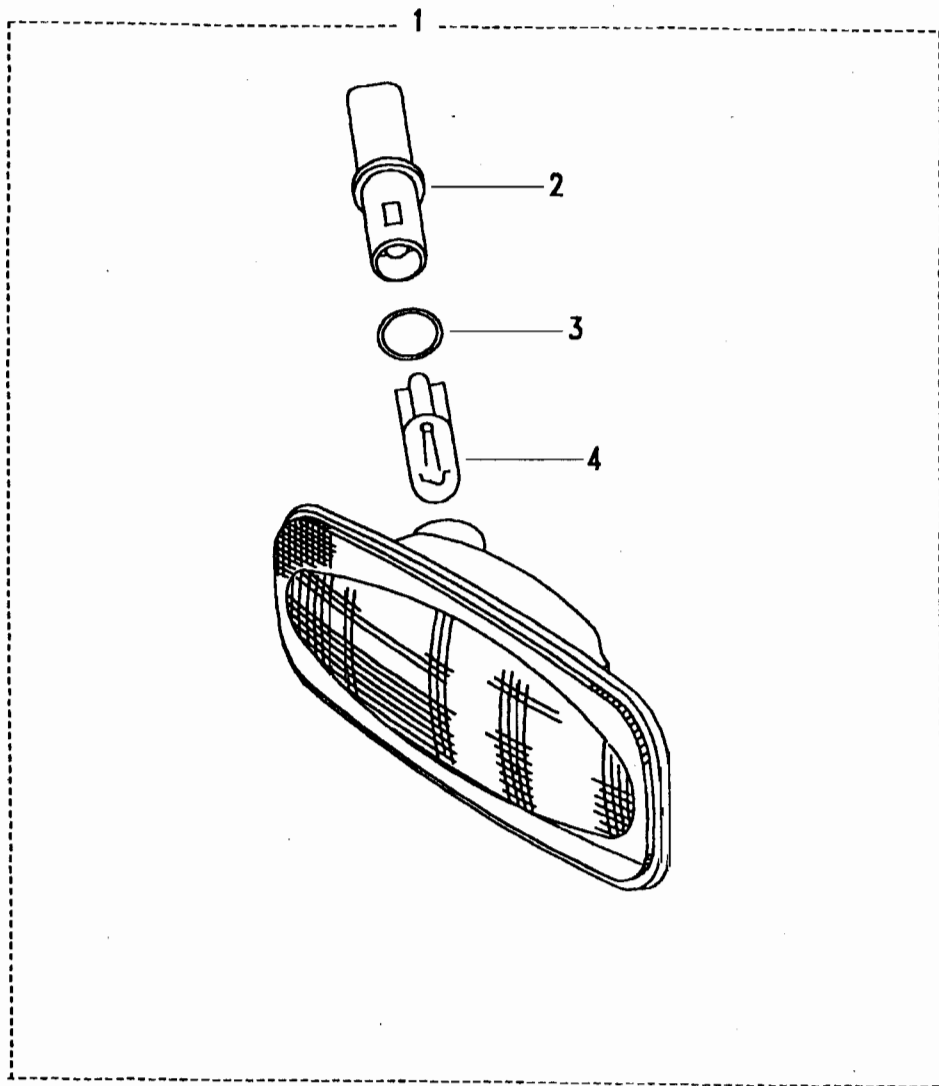
Note(1) Not fitted to XD 130 Ambulance.
 Note(2) Standard vehicles - up to VA103528
 Note(3) Standard vehicles - from VA103529
 Note(4) Waterproof vehicles
 Note(5) Screws supplied with lamp assembly.

Model DEFENDER XD ALL VARIANTS
 Page YDMXAC2A

ELECTRICAL - LAMPS - SIDE REPEATER

III. Part No.	Description	Qty	Remarks
Rectangular - small type - up to WA158577			
1	PRC9916	2	Lens side repeater
2	AMR3333	2	Bulb capless 24V 5W
3	AFU3112L	2	O ring
4	STC966	2	Kit harness side repeater



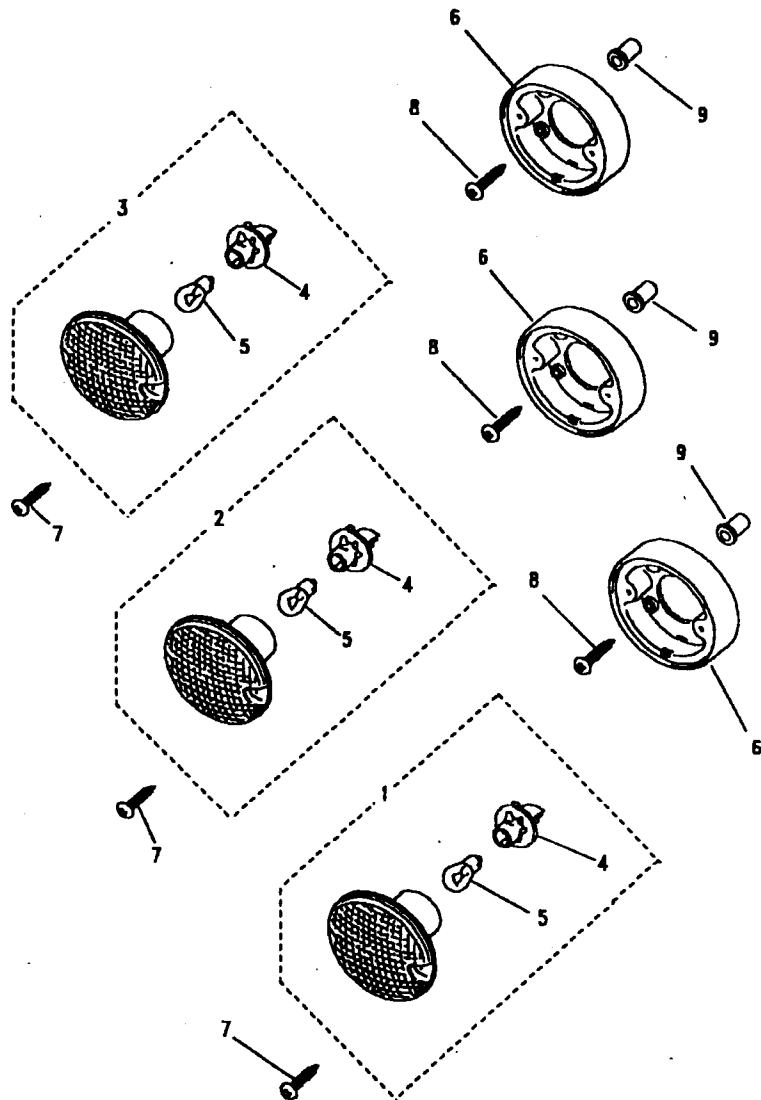


Model DEFENDER XD ALL VARIANTS
Page YDMXAC2B

ELECTRICAL - LAMPS - SIDE REPEATER

III. Part No.	Description	Qty	Remarks
Oval - large type - from WA158578			
1	XGB100240 Lamp side repeater	2	
2	STC4359 Bulb holder	2	
3	AFU3112L O ring	2	
4	AMR3333 Bulb capless 24V 5W	2	
Silicone grease			
STC4358	Grease waterproof DC111	A/R	100g tube





Model DEFENDER XD ALL VARIANTS
Page YDMXAC3A

ELECTRICAL - LAMPS - REAR - INDICATOR, FOG & REVERSE

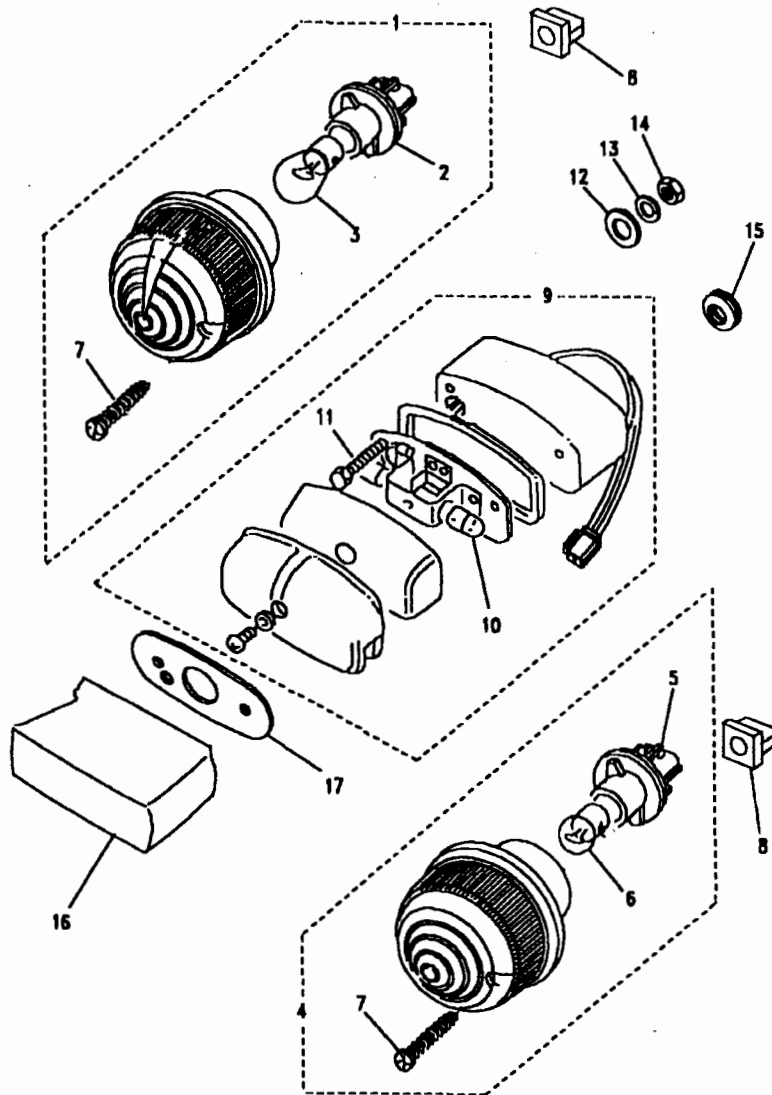
III. Part No.	Description	Qty	Remarks
1 RRC8527	Lamp indicator rear	2	Note(1)
RRC8818	Lamp indicator rear	2	Note(2)
XFD100080	Lamp indicator rear	2	Note(3)
2 AMR1475	Lamp fog	2	Note(1)
AMR6524	Lamp fog	2	Note(2)
XFE100200	Lamp fog	2	Note(3)
3 AMR1474	Lamp reversing	1	Note(1)
AMR6523	Lamp reversing	1	Note(2)
XFD100070	Lamp reversing	1	Note(3)
4 AMR5248	Bulb holder	5	Note(1)
XBP100180	Bulb holder	5	Note(2&3)
5 STC3066	Bulb 24V 21W	5	
6 AMR3850	Plinth lamp	5	
7 DA606059L	Screw lamp to plinth	10	
8 SE105161L	Screw M5 plinth to body	10	
9 ASR1185	Nutsert M5	10	

Silicone grease - note(3)
 STC4358 Grease waterproof DC111 A/R 100g tube

Note(1) Standard vehicles - up to VA103528
 Note(2) Standard vehicles - from VA103529
 Note(3) Waterproof vehicles

Model DEFENDER XD ALL VARIANTS
Page YDMXAC4A

ELECTRICAL - LAMPS - REAR - STOP, TAIL & NUMBER PLATE



III. Part No.	Description	Qty	Remarks
1	RRC8528 RRC8819 XFD100090	2	Note(1)
2	AMR5248 XBP100180	2	Note(2)
3	STC3066	2	Note(3)
4	RRC8526 RRC8817 XFB101540	2	Note(1)
5	AMR5248 XBP100180	2	Note(2)
6	STC3065	2	Note(3)
7		2	Note(1)
8	RRC8526 RRC8817 XFB101540	2	Note(2)
9	AMR5248 XBP100180	2	Note(3)
10	STC3065	2	Note(2&3)
11	RRC8526 RRC8817 XFB101540	2	Note(1)
12	AMR5248 XBP100180	2	Note(2)
13	STC3066	2	Note(3)
14	RRC8526 RRC8817 XFB101540	2	Note(1)
15	AMR5248 XBP100180	2	Note(2)
16	STC3065	2	Note(3)
17	RRC8526 RRC8817 XFB101540	2	Note(1)
18	AMR5248 XBP100180	2	Note(2)
19	STC3066	2	Note(3)
20	RRC8526 RRC8817 XFB101540	2	Note(1)
21	AMR5248 XBP100180	2	Note(2)
22	STC3065	2	Note(3)
23	RRC8526 RRC8817 XFB101540	2	Note(1)
24	AMR5248 XBP100180	2	Note(2)
25	STC3066	2	Note(3)
26	RRC8526 RRC8817 XFB101540	2	Note(1)
27	AMR5248 XBP100180	2	Note(2)
28	STC3065	2	Note(3)
29	RRC8526 RRC8817 XFB101540	2	Note(1)
30	AMR5248 XBP100180	2	Note(2)
31	STC3066	2	Note(3)
32	RRC8526 RRC8817 XFB101540	2	Note(1)
33	AMR5248 XBP100180	2	Note(2)
34	STC3065	2	Note(3)
35	RRC8526 RRC8817 XFB101540	2	Note(1)
36	AMR5248 XBP100180	2	Note(2)
37	STC3066	2	Note(3)
38	RRC8526 RRC8817 XFB101540	2	Note(1)
39	AMR5248 XBP100180	2	Note(2)
40	STC3065	2	Note(3)
41	RRC8526 RRC8817 XFB101540	2	Note(1)
42	AMR5248 XBP100180	2	Note(2)
43	STC3066	2	Note(3)
44	RRC8526 RRC8817 XFB101540	2	Note(1)
45	AMR5248 XBP100180	2	Note(2)
46	STC3065	2	Note(3)
47	RRC8526 RRC8817 XFB101540	2	Note(1)
48	AMR5248 XBP100180	2	Note(2)
49	STC3066	2	Note(3)
50	RRC8526 RRC8817 XFB101540	2	Note(1)
51	AMR5248 XBP100180	2	Note(2)
52	STC3065	2	Note(3)
53	RRC8526 RRC8817 XFB101540	2	Note(1)
54	AMR5248 XBP100180	2	Note(2)
55	STC3066	2	Note(3)
56	RRC8526 RRC8817 XFB101540	2	Note(1)
57	AMR5248 XBP100180	2	Note(2)
58	STC3065	2	Note(3)
59	RRC8526 RRC8817 XFB101540	2	Note(1)
60	AMR5248 XBP100180	2	Note(2)
61	STC3066	2	Note(3)
62	RRC8526 RRC8817 XFB101540	2	Note(1)
63	AMR5248 XBP100180	2	Note(2)
64	STC3065	2	Note(3)
65	RRC8526 RRC8817 XFB101540	2	Note(1)
66	AMR5248 XBP100180	2	Note(2)
67	STC3066	2	Note(3)
68	RRC8526 RRC8817 XFB101540	2	Note(1)
69	AMR5248 XBP100180	2	Note(2)
70	STC3065	2	Note(3)
71	RRC8526 RRC8817 XFB101540	2	Note(1)
72	AMR5248 XBP100180	2	Note(2)
73	STC3066	2	Note(3)
74	RRC8526 RRC8817 XFB101540	2	Note(1)
75	AMR5248 XBP100180	2	Note(2)
76	STC3065	2	Note(3)
77	RRC8526 RRC8817 XFB101540	2	Note(1)
78	AMR5248 XBP100180	2	Note(2)
79	STC3066	2	Note(3)
80	RRC8526 RRC8817 XFB101540	2	Note(1)
81	AMR5248 XBP100180	2	Note(2)
82	STC3065	2	Note(3)
83	RRC8526 RRC8817 XFB101540	2	Note(1)
84	AMR5248 XBP100180	2	Note(2)
85	STC3066	2	Note(3)
86	RRC8526 RRC8817 XFB101540	2	Note(1)
87	AMR5248 XBP100180	2	Note(2)
88	STC3065	2	Note(3)
89	RRC8526 RRC8817 XFB101540	2	Note(1)
90	AMR5248 XBP100180	2	Note(2)
91	STC3066	2	Note(3)
92	RRC8526 RRC8817 XFB101540	2	Note(1)
93	AMR5248 XBP100180	2	Note(2)
94	STC3065	2	Note(3)
95	RRC8526 RRC8817 XFB101540	2	Note(1)
96	AMR5248 XBP100180	2	Note(2)
97	STC3066	2	Note(3)
98	RRC8526 RRC8817 XFB101540	2	Note(1)
99	AMR5248 XBP100180	2	Note(2)
100	STC3065	2	Note(3)

Note(1) Standard vehicles - up to VA103528
 Note(2) Standard vehicles - from VA103529
 Note(3) Waterproof vehicles
 Note(4) Screws supplied with lamp assembly.

Model DEFENDER XD ALL VARIANTS

Page YDMXAC4A

ELECTRICAL - LAMPS - REAR - STOP, TAIL & NUMBER PLATE

III. Part No. Description Qty Remarks

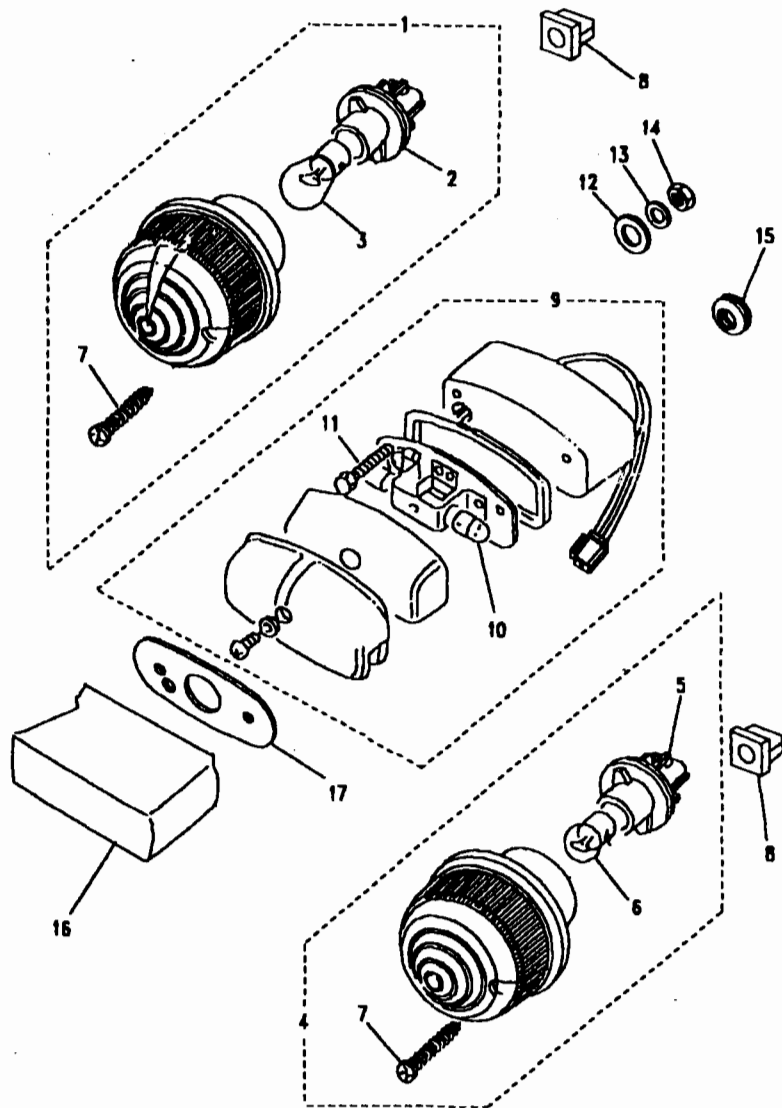
Number plate lamp cover - waterproof vehicles

16 XFK100310 Cover lamp number plate 1

17 XFW100000 Plate mounting 1

Silicone grease - waterproof vehicles

STC4358 Grease waterproof DC111 A/R 100g tube

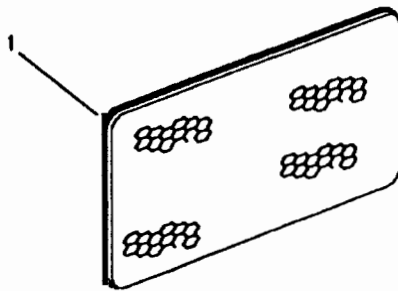


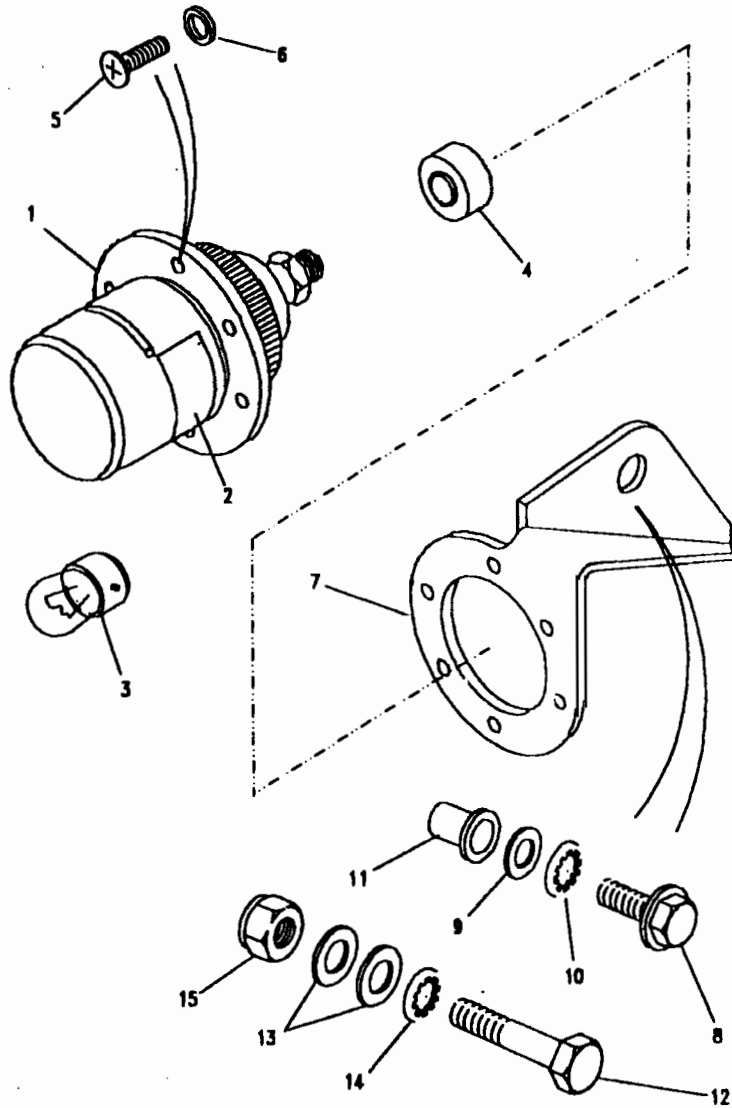


Model DEFENDER XD ALL VARIANTS
Page YDMXAC5A

ELECTRICAL - REAR RETRO-REFLECTORS

Ill. Part No.	Description	Qty	Remarks
Self adhesive rear reflectors - red			
1 RRC8705	Reflector rear	2	NLA use XFF100080
XFF100080	Reflector rear	2	



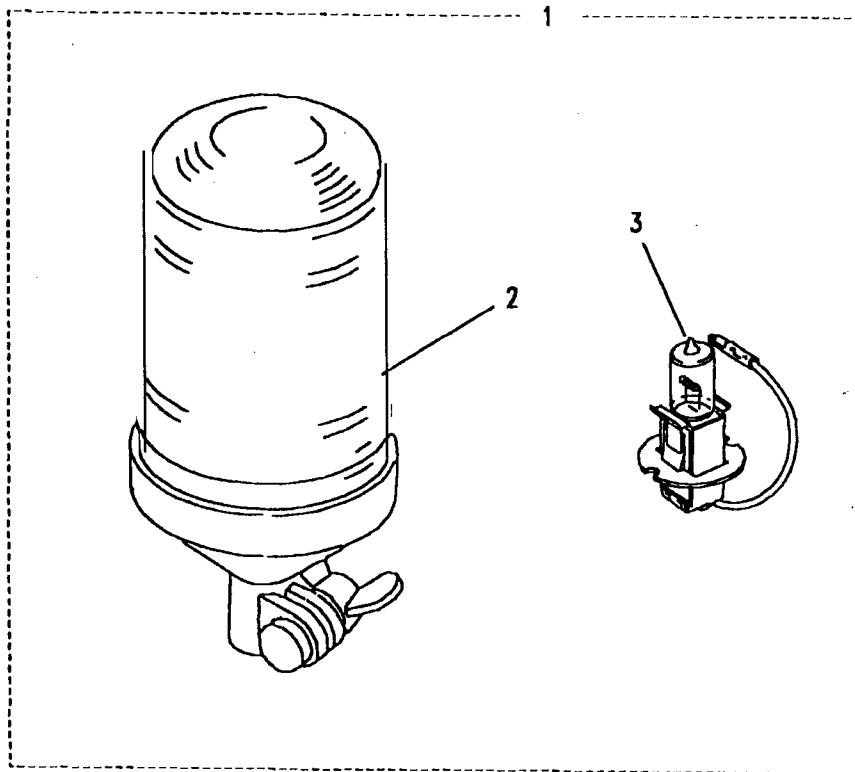


Model DEFENDER XD ALL VARIANTS
Page YDMXAC6A

ELECTRICAL - LAMPS - LAMP CONVOY

III. Part No.	Description	Qty	Remarks
1 RTC4771	Lamp convoy	1	
STC4309	Lamp convoy	1	Waterproof
2 AAU7897	Lens	1	
3 STC3065	Bulb 24V 5W	1	
4 536126	Gland sealing	1	
5 77701	Screw	3	
6 WL104001	Washer spring M4	3	
7 ANR6390	Bracket mounting	1	
8 FS108251L	Screw M8 x 25	1)Fixings for 90
9 WA108051L	Washer plain M8	1)
10 WE108001L	Washer shakeproof M8	1)
11 NN108021	Nut anchor M8	1)
12 BH110201L	Bolt M10 x 100	1)Fixings for 110
13 WA110061L	Washer plain M10	2)
14 WE110001L	Washer shakeproof M10	1)
15 NY110041L	Nut nyloc M10	1)

Silicone grease - waterproof vehicles
 STC4358 Grease waterproof DC111 A/R 100g tube

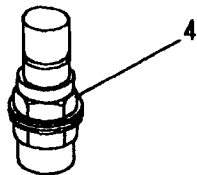


Model DEFENDER XD ALL VARIANTS
Page YDMXAC7A

ELECTRICAL - LAMPS - ROTATING BEACONS

III. Part No.	Description	Qty	Remarks
1 STC3446	Beacon assembly blue	A/R	Note(1&2)
2 STC3447	Lens blue	A/R	
STC4244	Lens amber	A/R	Note(2)
3 STC2642	Bulb 24V	A/R	
4 STC4242	Socket mounting	A/R	

Note(1) Two are fitted as standard to XD130 Ambulance.
 Note(2) For amber beacon - use STC3446 plus STC4244 amber lens.

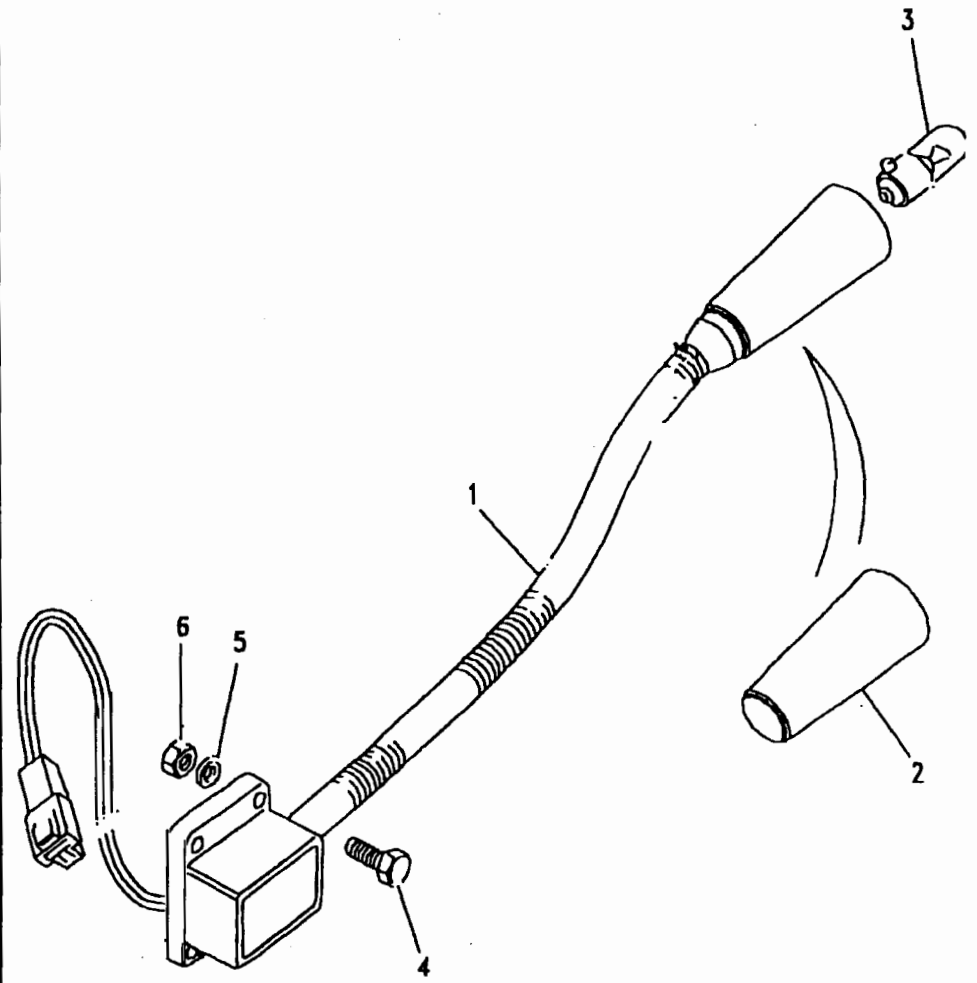




Model DEFENDER XD ALL VARIANTS
Page YDMXAE1A

ELECTRICAL - LAMP MAP READING

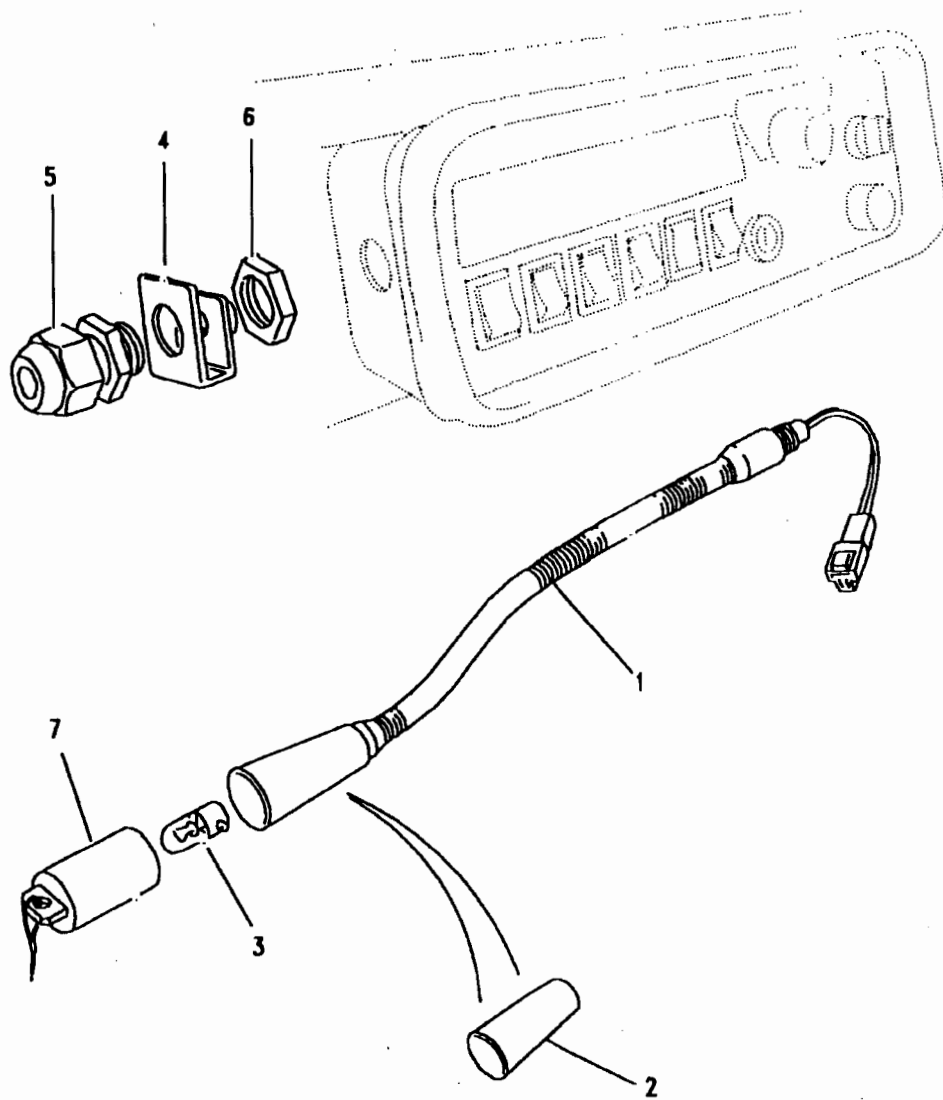
III. Part No.	Description	Qty	Remarks
1	AMR4910	1	Lamp map reading
2	STC4418	1	Shroud bulb
3	AMR1772	1	Bulb 24V 4W
4	SE104161L	4	Screw M4
5	WA104001L	4	Washer plain
6	NH104041L	4	Nut M4

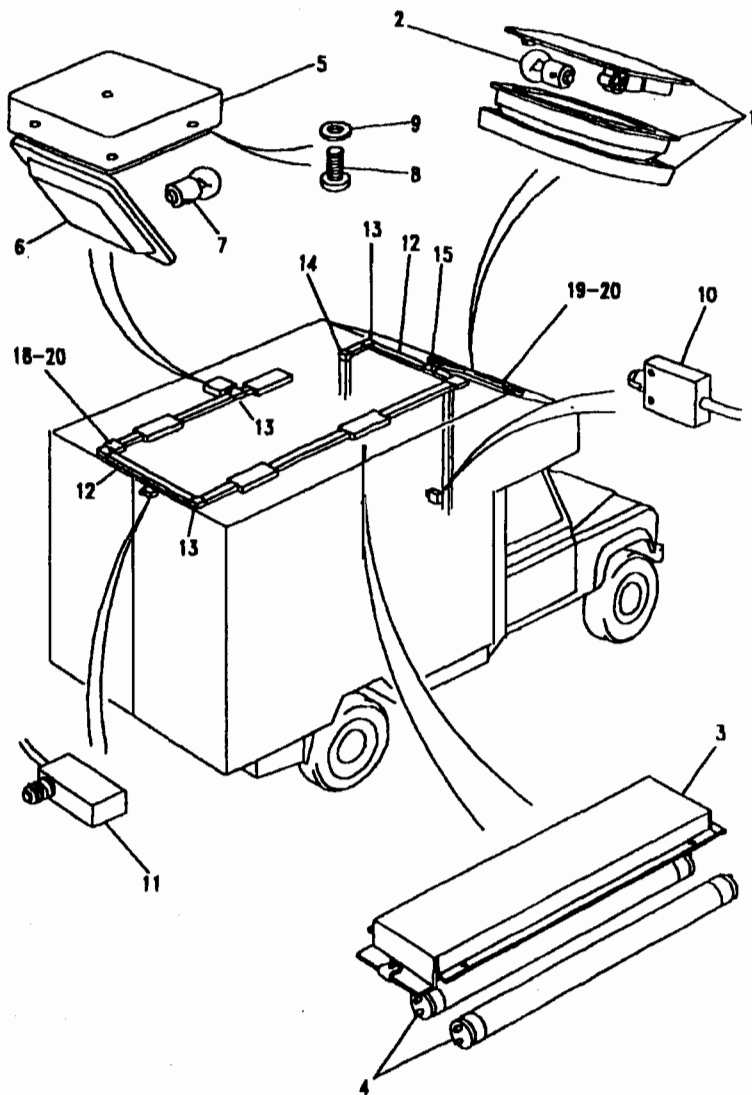


Model DEFENDER XD ALL VARIANTS
Page YDMXAE1B

ELECTRICAL - LAMP MAP READING - WATERPROOF

Ill. Part No.	Description	Qty	Remarks
1	XDD100240	1	Lamp map reading
2	STC4418	1	Shroud bulb
3	AMR1772	1	Bulb 24V 4W
4	IPU100030	1	Bracket map lamp
5	IQM100000	1	Gland sealing
6	IYH100030	1	Nut plastic M25
7	XDL100030	1	Cover & lanyard



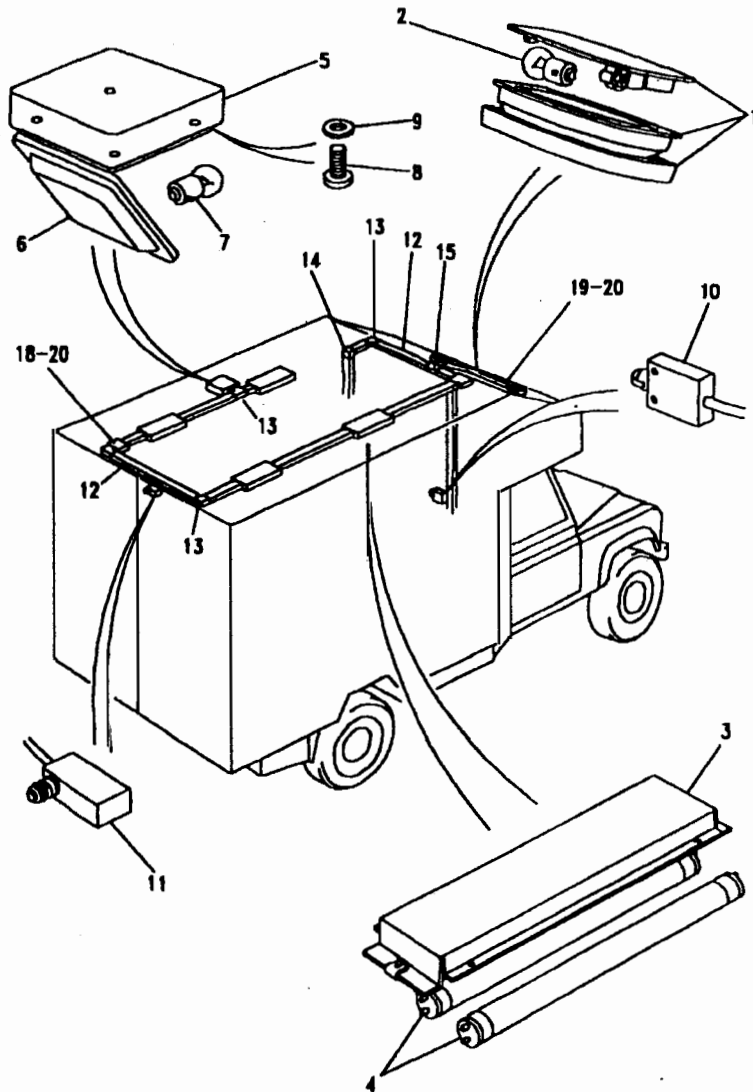


Model DEFENDER XD ALL VARIANTS

Page YDMXAE2A

ELECTRICAL - INTERIOR ROOF LAMPS - AMBULANCE

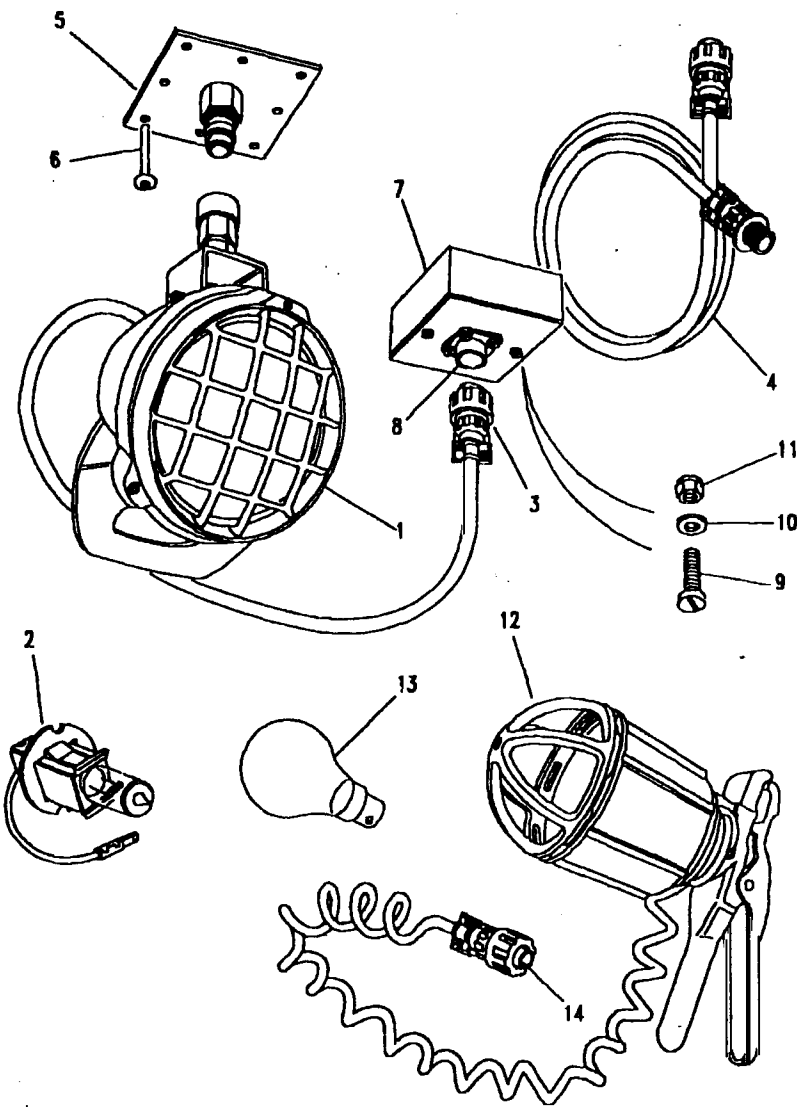
Ill. Part No.	Description	Qty	Remarks
Interior lamp - cab light			
1	PRC8241	1	Lamp interior
2	STC3066	1	Bulb 24V 21W
Interior lamp - fluorescent roof lamps			
3	STC2598	3	Lamp interior
	STC3662	1	Lamp interior
4	STC2630	8	Tube fluorescent 8W
Interior lamp - moonlight			
5	STC2665	1	Moonlight assembly
6	STC2489	1	Lamp c/w blue lens
7	STC2490	1	Bulb 24V 10W
8	STC2725	4	Screw pan hd M5 x 12
9	STC2694	4	Washer plain M5
Microswitches - door operated			
10	STC2454	1	Switch blackout
11	STC2456	1	Switch blackout
			Bulkhead door
			Rear door



Model DEFENDER XD ALL VARIANTS
Page YDMXAE2A

ELECTRICAL - INTERIOR ROOF LAMPS - AMBULANCE

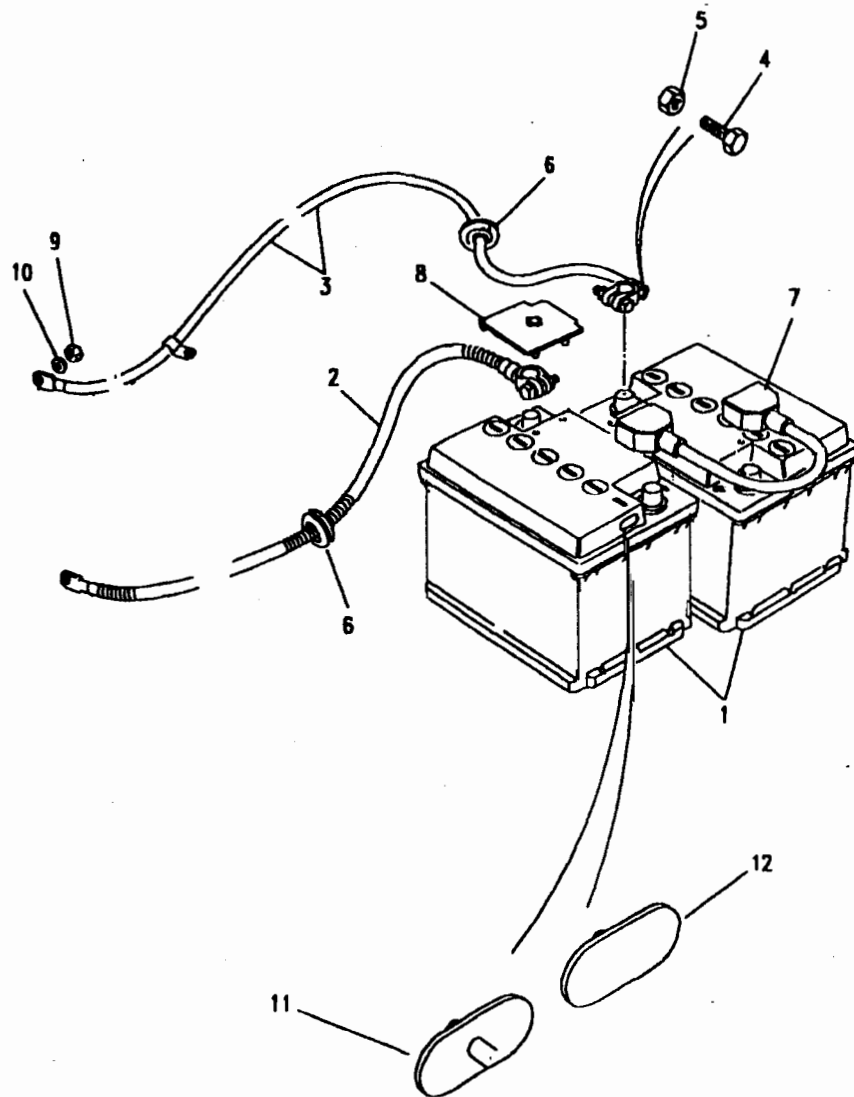
III. Part No.	Description	Qty	Remarks
Cable trunking & surface boxes			
12	STC2457	3	3m length
	STC3449	2	3m length
13	STC2458	4	
	STC3450	3	
14	STC2461	3	
	STC3451	2	
15	STC2459	2	
	STC3452	2	
	STC3453	2	
16	STC3454	2	
	STC3455	1	
17	STC3456	6	
	STC3457	2	
18	STC3458	1	Rear
19	STC3902	1	Front
20	STC2516	2	



Model DEFENDER XD ALL VARIANTS
Page YDMXAE4A

ELECTRICAL - FLOODLIGHT & INSPECTION LAMP - AMBULANCE

III. Part No.	Description	Qty	Remarks
Floodlight & extension lead			
1	STC2594 Lamp flood	1	
2	STC2642 Bulb H3 24V 70W	1	
3	STC2498 Plug connector	1	
4	STC2609 Lead extension	1	
Floodlight mounting			
5	STC2729 F/light coupling assy	1	
6	STC2452 Rivet dome hd 3/16	8	
Floodlight socket box			
7	STC2687 Socket box assy	1	
8	STC2492 Socket	1	
9	STC2726 Screw M3 x 16	4	
10	WA103001 Washer plain M3	4	
11	STC2727 Nut nyloc M3	4	
Inspection lamp			
12	STC3459 Lamp inspection	1	
13	STC3460 Bulb 24V 60W	1	
14	STC2498 Plug connector	1	



Model DEFENDER XD ALL VARIANTS
Page YDMXCA1A

ELECTRICAL - VEHICLE BATTERIES & CABLES

III. Part No. Description Qty Remarks

Vehicle batteries - standard vehicles - see note(1)

1	STC3043	Battery wet type 027H	2	
		Battery dry type 027H	2	Note(2)

Vehicle batteries - waterproof vehicles

	YGD100960	Battery vented type 027W	2	
--	-----------	--------------------------	---	--

Battery cables - see note(3)

2	RRC8801	Cable battery positive	1	
	YTA101490	Cable battery positive	1	Waterproof
3	RRC8802	Cable battery negative	1	
	YTB101170	Cable battery negative	1	Waterproof
4	RRC8804	Bolt battery terminal	4	
5	RRC8803	Nut battery terminal	4	
6	STC3067	Grommet	2	
7	RRC8403	Cable battery interlink	1	
	YTH100000	Cable battery interlink	1	Waterproof
8	YPH100230L	Cover terminal	1	
9	FN110047L	Nut M10	1	
10	WA110061L	Washer plain M10	1	

Battery ventilation - waterproof vehicles

11	YGF100040	Vent valve battery	2	
12	YGH100000	Plug battery vent	2	

Note(1) Batteries are of heavy duty construction and replacements MUST BE type 027H manufactured to original equipment specification.

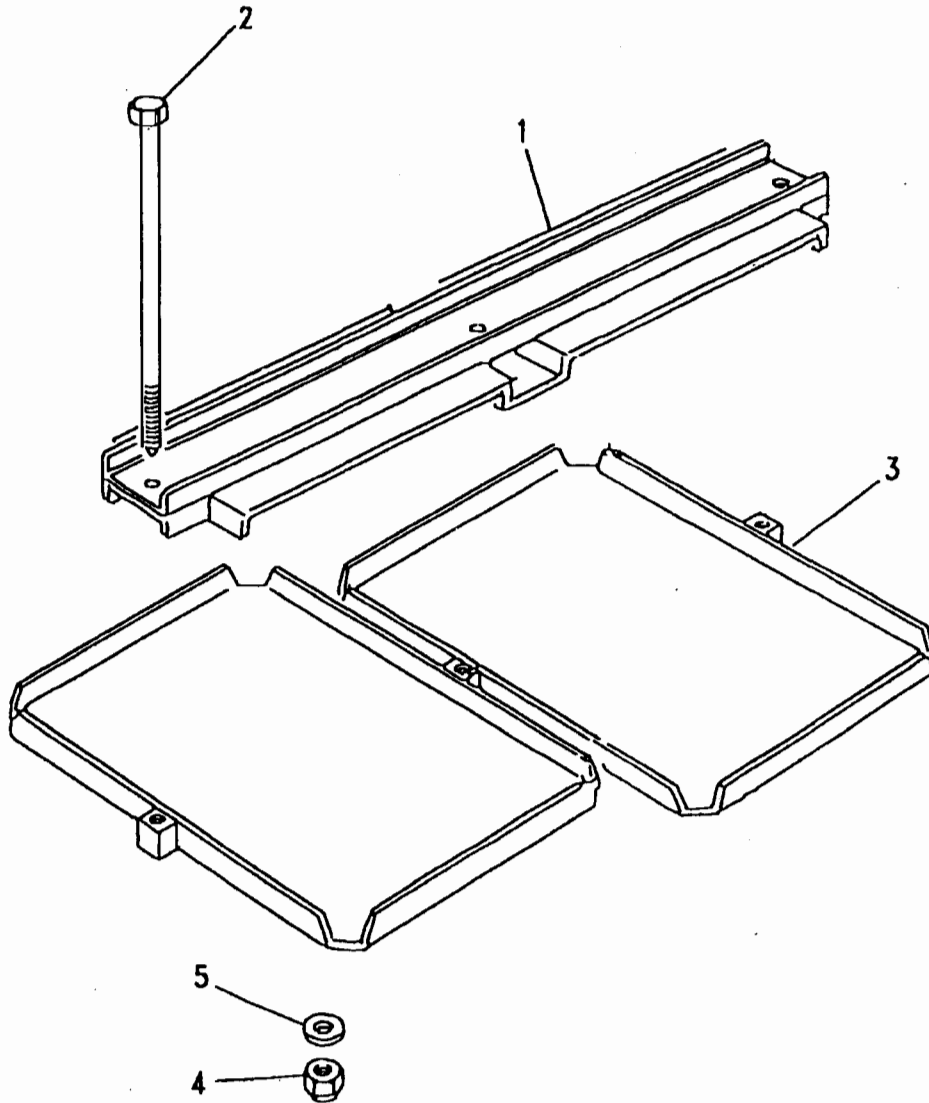
Note(2) Not available - use STC3043

Note(3) Battery cables are supplied less bolt and nut - use RRC8803/4.

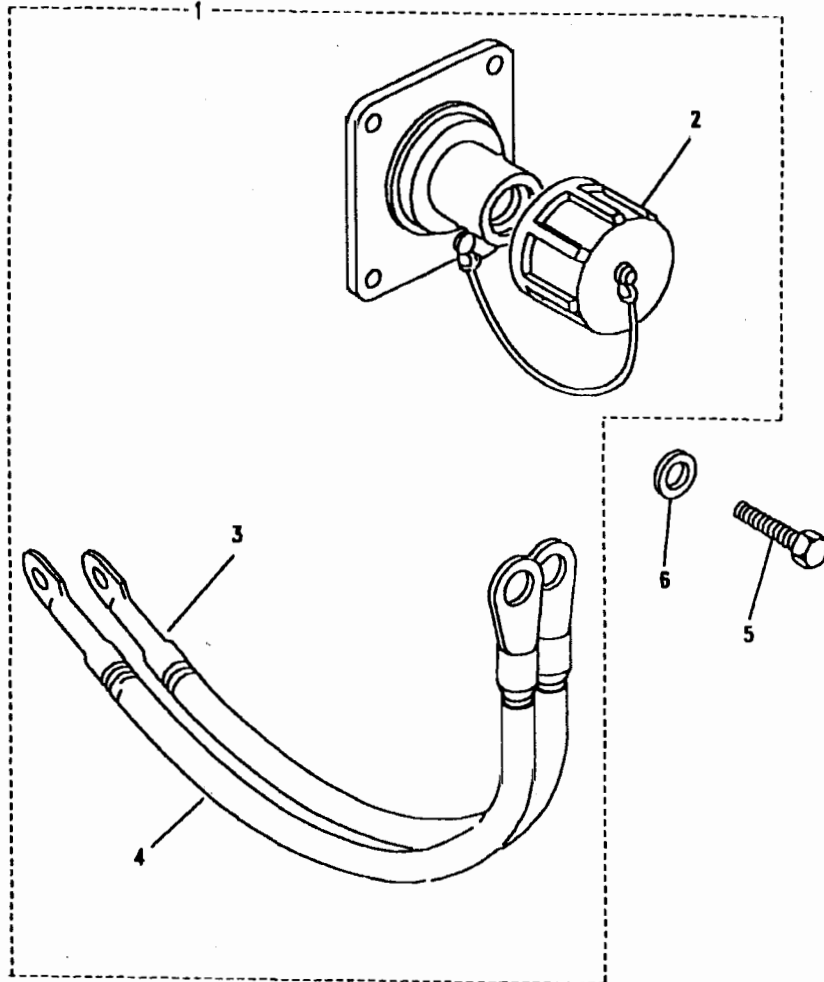
Model DEFENDER XD ALL VARIANTS
 Page YDMXCA2A

ELECTRICAL - BATTERY FIXINGS

III. Part No.	Description	Qty	Remarks
1 RRC8342	Clamp battery	1	
2 RRC8343	Bolt battery clamp	3	
3 RRC8341	Tray battery	1	
4 NY106047L	Nut nyloc M6	4	
5 WJ600041L	Washer plain	4	



24 VOLT.
NEGATIVE EARTH



Model DEFENDER XD ALL VARIANTS
Page YDMXCA3B

ELECTRICAL - INTER VEHICLE STARTING SOCKET

III. Part No.	Description	Qty	Remarks
IVS Socket - seat base mounted - note(1)			
1	RRC8692 Socket assembly IVS	1	
	IPQ100000 Socket assembly IVS	1	Waterproof
2	STC3038 Cap & lanyard	1	
3	STC3386 Cable assembly positive	1)Note(2))
4	STC3387 Cable assembly negative	1	
5	FS106167L Screw M6 x 16	4	
6	MRC5525 Washer M6	4	
7	RRC8706 Label warning	1	

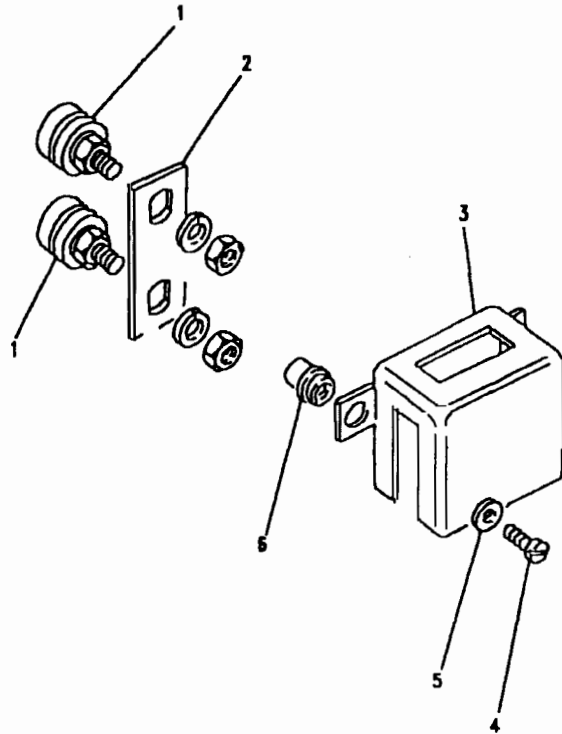
Note(1) IVS cables and plugs are not stocked by Land-Rover, if required, user should order through MOD system.

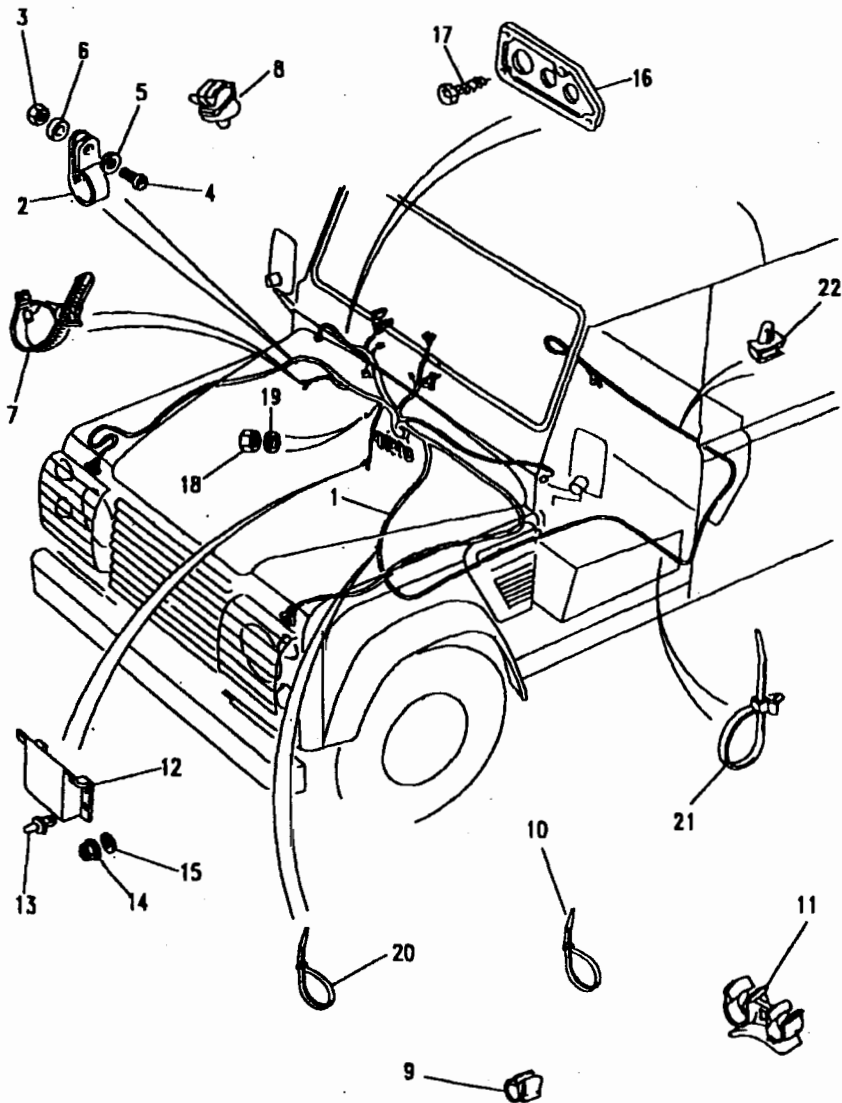
Note(2) For standard (non-waterproof) vehicles only.

Model DEFENDER XD ALL VARIANTS
Page YDMXGA4A

ELECTRICAL - TERMINAL POSTS - POWER SUPPLY - AMBULANCE

III. Part No.	Description	Qty	Remarks
1	PRC5592	2	Terminal post M6
2	PRC7173	1	Plate keeper
3	PRC5003	1	Cover
4	SE104161L	2	Screw M4 x 16
5	WA704061	2	Washer plain M4
6	NH104041L	4	Nut M4





Model DEFENDER XD ALL VARIANTS
Page YDMXCC1A

ELECTRICAL - HARNESS MAIN

Ill. Part No.	Description	Qty	Remarks
Main harness			
1	RRC8624	1	Note(1)
	RRC8810	1	Note(2)
	YMC135770	1	Note(3)
Fixings - main harness			
2	C39377L	2	Strap cable
3	NH106041L	1	Nut M6
4	SH106301L	2	Screw M6 x 30
5	WA106041L	2	Washer plain M6
6	390939	4	Spacer
7	AAU3686	5	Strap cable
8	AFU1090L	12	Clip retaining
9	345662	1	Clip cable
10	568680	7	Cable tie 4.8 x 270mm
11	PRC3025	2	Clip cable double
Main harness cover plate			
12	AMR4741	1	Note(4)
13	BRC8089L	4	Rivet
14	FN108047L	1	Nut M8
15	WA108051L	1	Washer plain
Bulkhead grommet plate			
16	AMR3098	2	Plate grommet bulkhead
17	AR610041	8	Screw No10 x 1/2

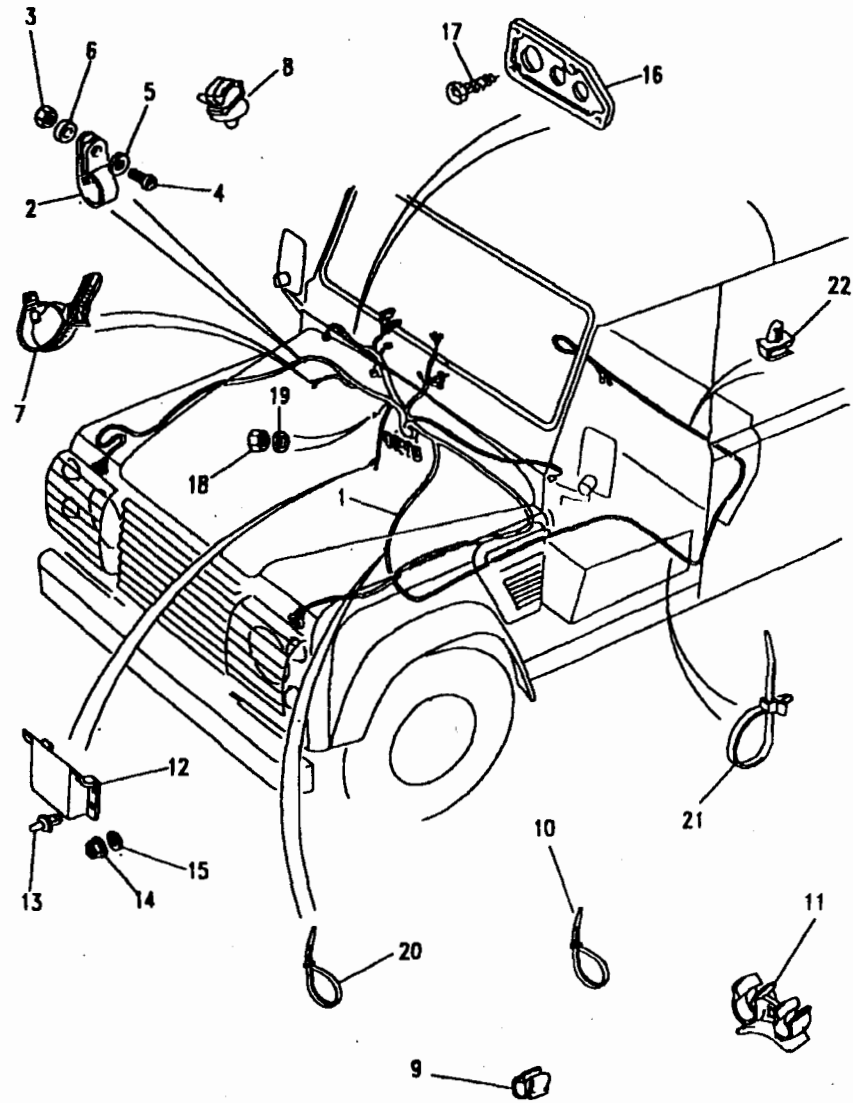
Note(1) Standard vehicle - non EGR - engine prefix 15L
 Note(2) Standard vehicle - with EGR - engine prefix 25L
 Note(3) Winterised vehicle
 Note(4) Not fitted to winterised vehicles.

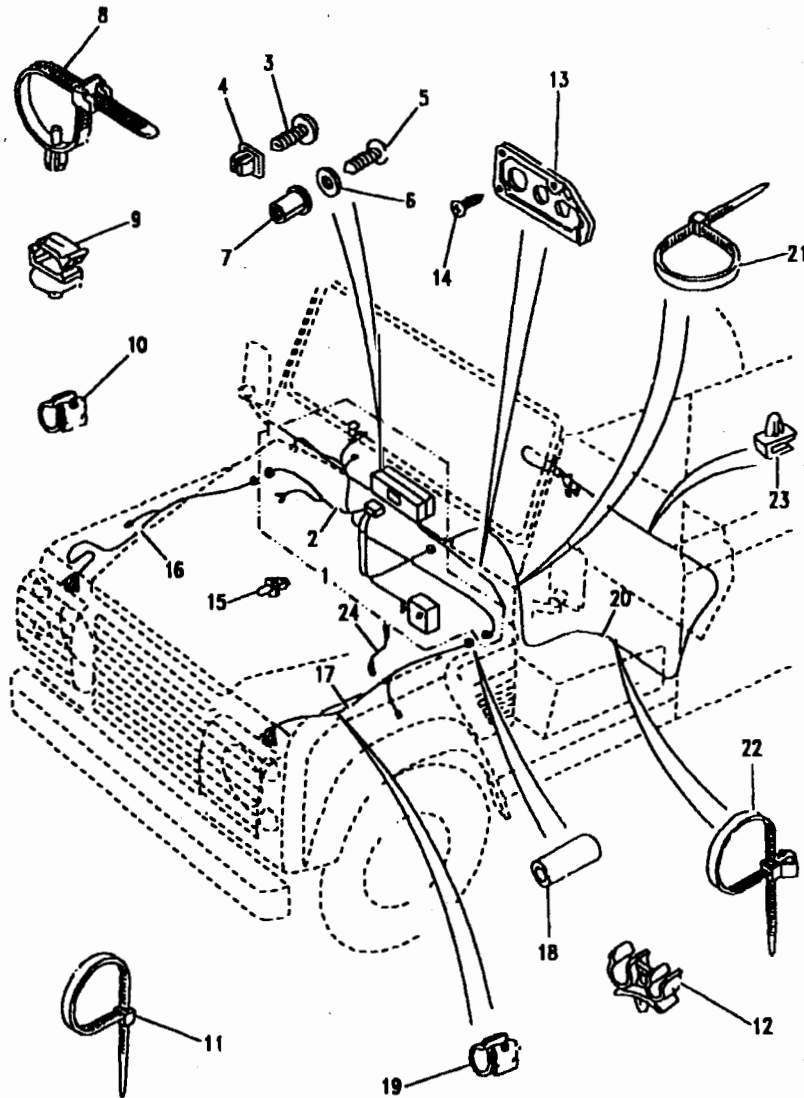


Model DEFENDER XD ALL VARIANTS
Page YDMXCC1A

ELECTRICAL - HARNESS MAIN

Ill. Part No.	Description	Qty	Remarks
Main harness earth			
18	NH106041L Nut M6	1	
19	WA106041L Washer plain	1	
Fixings - radio charging lead			
20	573256 Cable tie 2.5 x 100mm	7	
21	YQR10016L Cable tie panel fixing	2	
22	RRC8055 Clip cable	5	



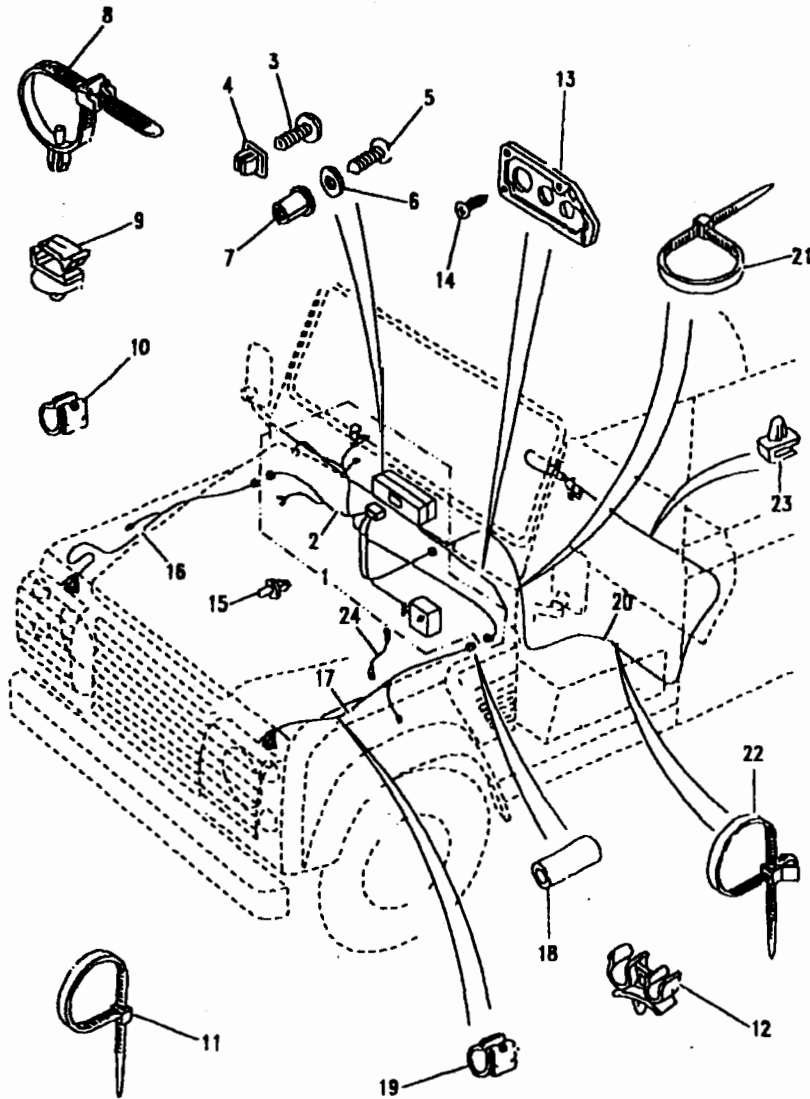


Model DEFENDER XD ALL VARIANTS
Page YDMXCC1C

ELECTRICAL - HARNESS MAIN - WATERPROOF

III. Part No.	Description	Qty	Remarks
Main harness & facia console assembly			
1	FHR100430	1	Note(1&2)
2	YMH100140	1	Note(2)
Fixings - console to dash			
3	DA610051L	2)Upper fixings
4	RTC3745	2)
5	AB608055L	2)Lower fixings
6	WA104001L	2)
7	AFU1926L	2)
Fixings - main harness			
8	AAU3686	5	
9	AFU1090L	1	
10	345662	1	
11	UKC6684L	1	
	568680	1	
12	PRC3025	2	
Bulkhead grommet plate			
13	AMR3098	2	
14	AR610041	8	
Blanking plugs for main harness cover plate holes			
15	BRC8089L	4	

Note(1) Complete assembly, including centre console and fuse-box assemblies.
 Note(2) Includes headlamp breather pipes.



Model DEFENDER XD ALL VARIANTS

Page YDMXCC1C

ELECTRICAL - HARNESS MAIN - WATERPROOF

III. Part No. Description Qty Remarks

Wing harness

16	YMB102600	Harness front wing RH	1)Note(1)
17	YMB102590	Harness front wing LH	1)
18	YNP100000	Tube breather joint	2	

Fixings - wing harness LH

19	345662	Clip cable	1	
----	--------	------------	---	--

Radio charging lead

20	YMW100610	Harness radio charging	1	
----	-----------	------------------------	---	--

Fixings - radio charging lead

21	568680	Cable tie 4.8 x 270mm	3	
22	YQR10016L	Cable tie panel fixing	2	
23	RRC8055	Clip cable	5	

Fuse-box power supply - starter to terminal post link

24	IQE100010	Lead terminal feed	1	
----	-----------	--------------------	---	--

Waterproof self-solder heatshrink sleeving for harness repair

YZV100340L	Sleeve heatshrink red	A/R	0.5-1.0	sq.mm
YZV100310L	Sleeve heatshrink blue	A/R	1.0-2.5	sq.mm
YZV100320L	Sleeve heatshrink yellow	A/R	3.0-5.0	sq.mm

Note(1) Includes headlamp breather pipes.



Model DEFENDER XD ALL VARIANTS
Page YDMXCC1B

ELECTRICAL - HARNESS SUPPLEMENTARY - AMBULANCE

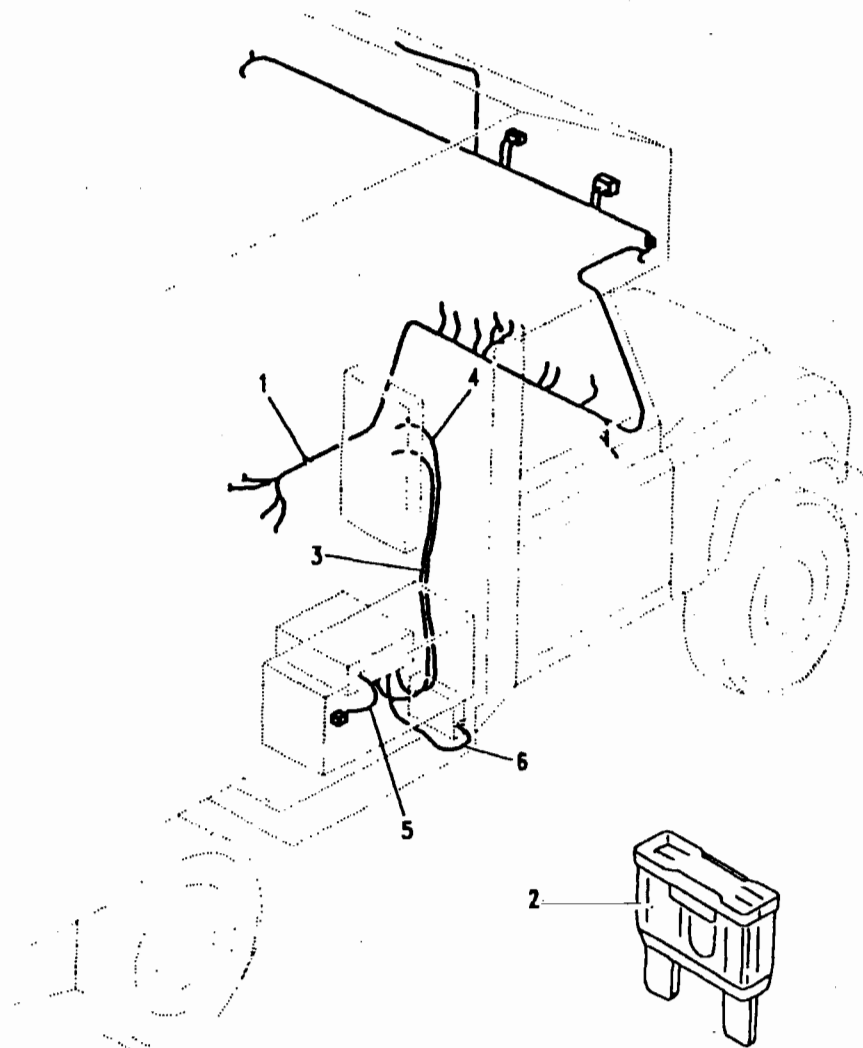
III. Part No.	Description	Qty	Remarks
---------------	-------------	-----	---------

Harness - ambulance body electrics

1	AMR2919	Harness secondary	1
2	RTC4481	Fuse 3A auto	1
	RTC4503	Fuse 15A auto	1

Harness - ambulance fuel burning heater unit

3	STC4125	Harness heater switch	1
4	STC4126	Harness heater rheostat	1
5	STC4141	Harness heater power	1
6	STC4140	Harness heater fuel pump	1



Model DEFENDER XD ALL VARIANTS

Page YDMXCC2A

ELECTRICAL - FUSE BOX - INTERIOR

III. Part No.

Description

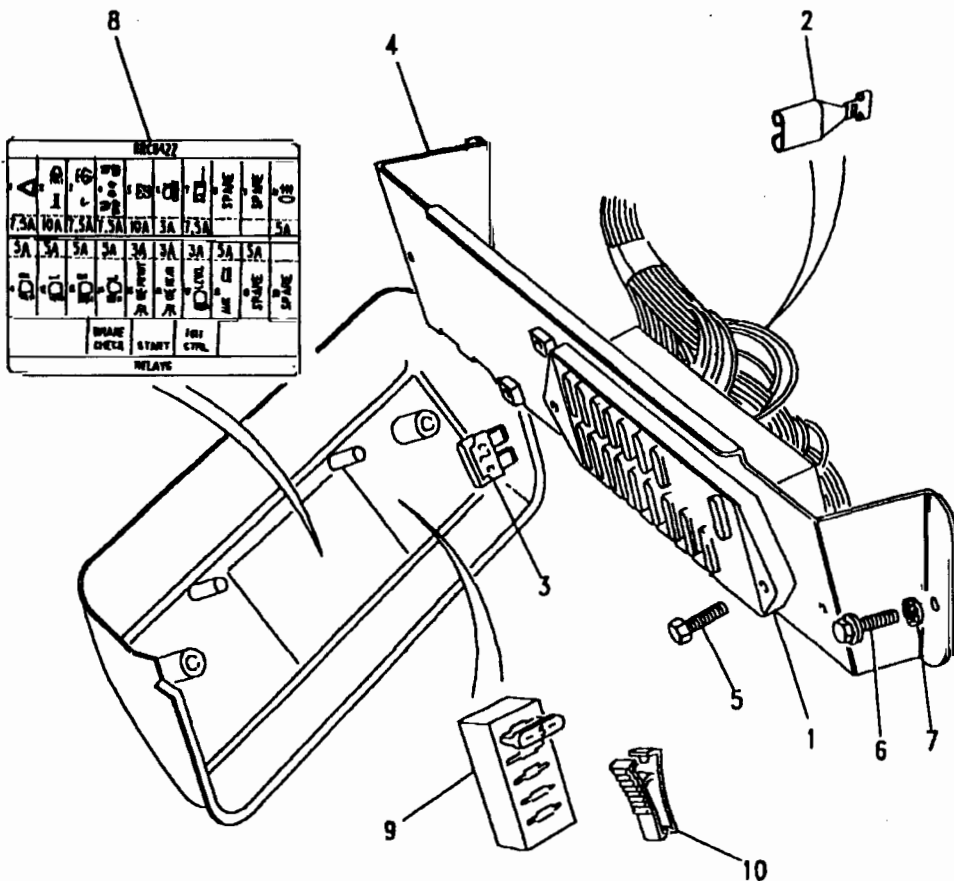
Qty Remarks

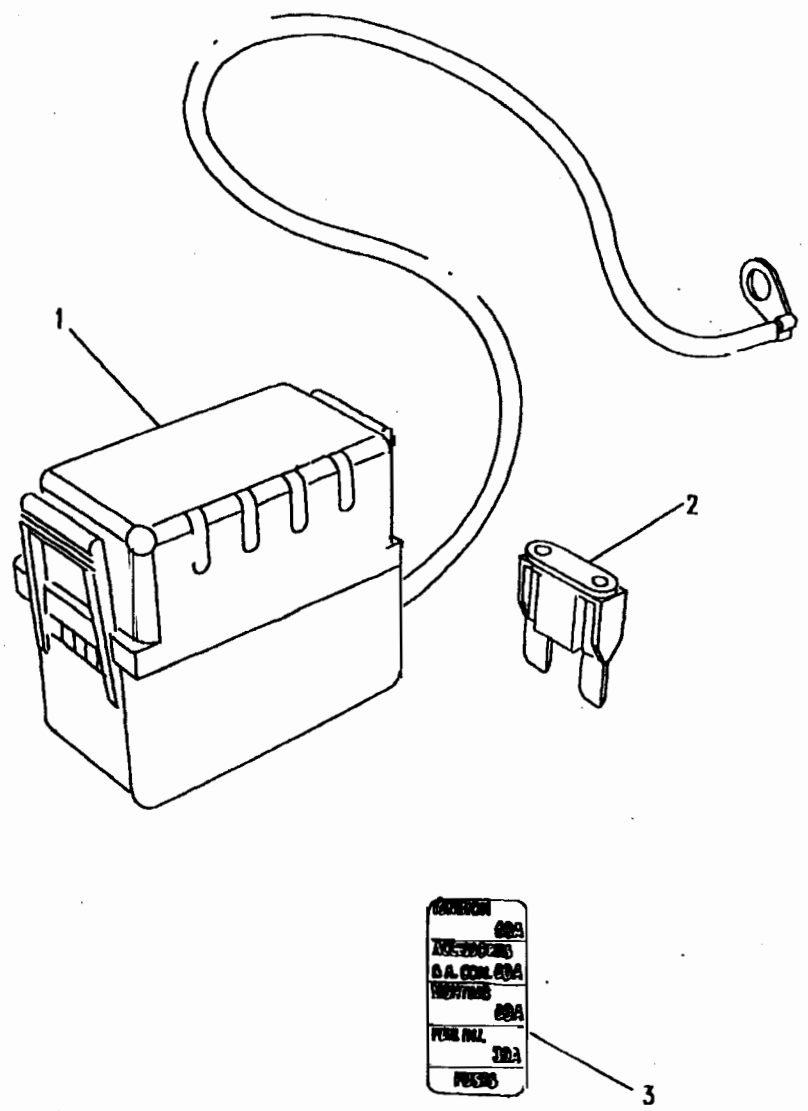
Interior fuse box - note(1)

1	PRC4826	Fuseblock 20-way	1	Without connectors
2	STC4034	Connector fuse to cable	A/R	0.5-1.0 sq.mm
	STC4035	Connector fuse to cable	A/R	1.1-2.0 sq.mm
	STC4036	Connector fuse to cable	A/R	2.5-3.0 sq.mm
3	RTC4481	Fuse 3A auto	A/R	
	RTC4497	Fuse 5A auto	A/R	
	RTC4498	Fuse 7.5A auto	A/R	
	RTC4501	Fuse 10A auto	A/R	
	RTC4503	Fuse 15A auto	A/R	
	ADU1878L	Fuse 20A auto	A/R	
4	AMR3138	Bracket fuse box & relay	1	
5	SH105161L	Screw M5x16	2	
6	FS106207L	Screw M6x20	2	
7	WF600041L	Washer shakeproof	2	
8	RRC8422	Label fuse	1	Note(2)
	RRC8813	Label fuse	1	Note(3)
9	HAM4301L	Holder fuse	1	Note(4)
10	PRC4412	Extractor fuse	1)

Note(1)
Note(2)
Note(3)
Note(4)

Fuse box is part of main harness.
Non EGR - engine prefix 15L
EGR - engine prefix 25L
Attached to underside of fusebox cover.





Model DEFENDER XD ALL VARIANTS
Pag YDMXCC3A

ELECTRICAL - FUSE BOX - UNDER-BONNET

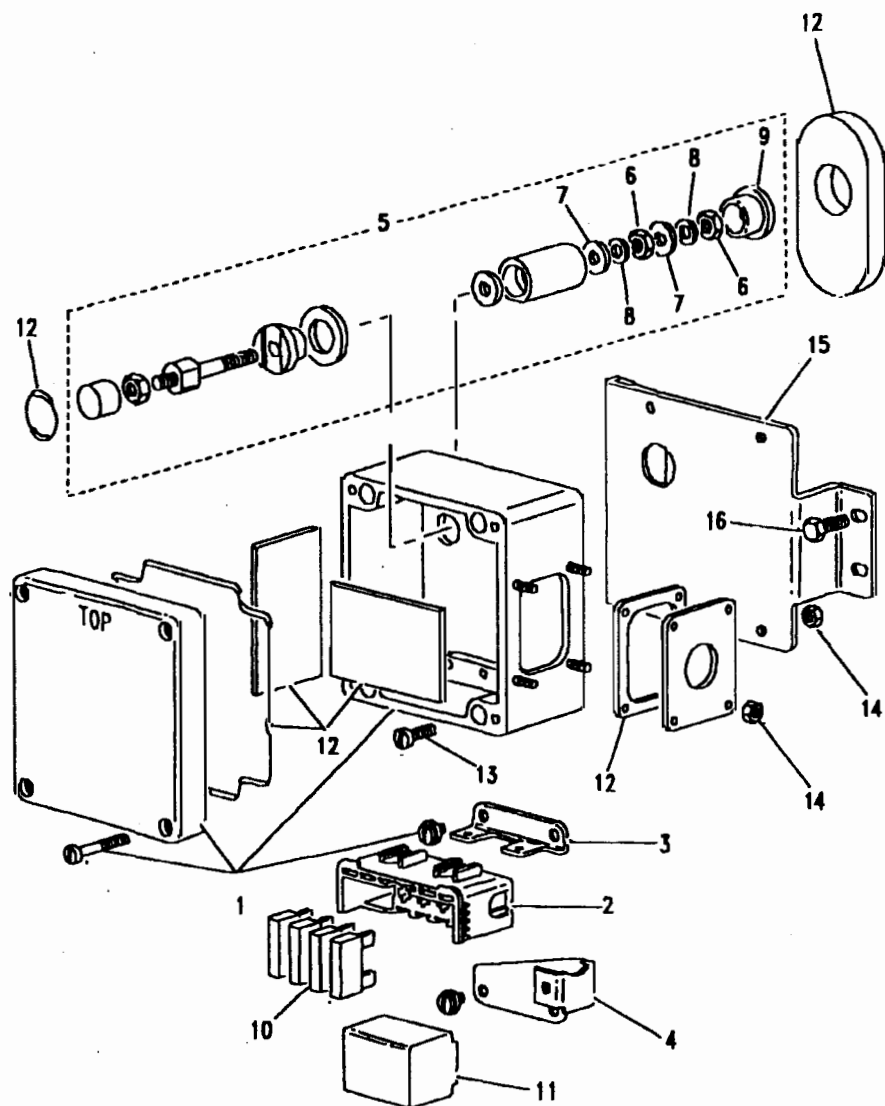
III. Part No.	Description	Qty	Remarks
1 AMR2983	Fusebox underbonnet	1	
2 YQG10007	Fuse 20A maxi	1	
YQG10008	Fuse 30A maxi	1	
YQG10008	Fuse 30A maxi	1	Note(1)
YQG10009L	Fuse 40A maxi	1	
3	Label fuse	1	NSP

Note(1) Additional wash/wipe fuse for winterised vehicles.

Model DEFENDER XD ALL VARIANTS

Page YDMXCC4A

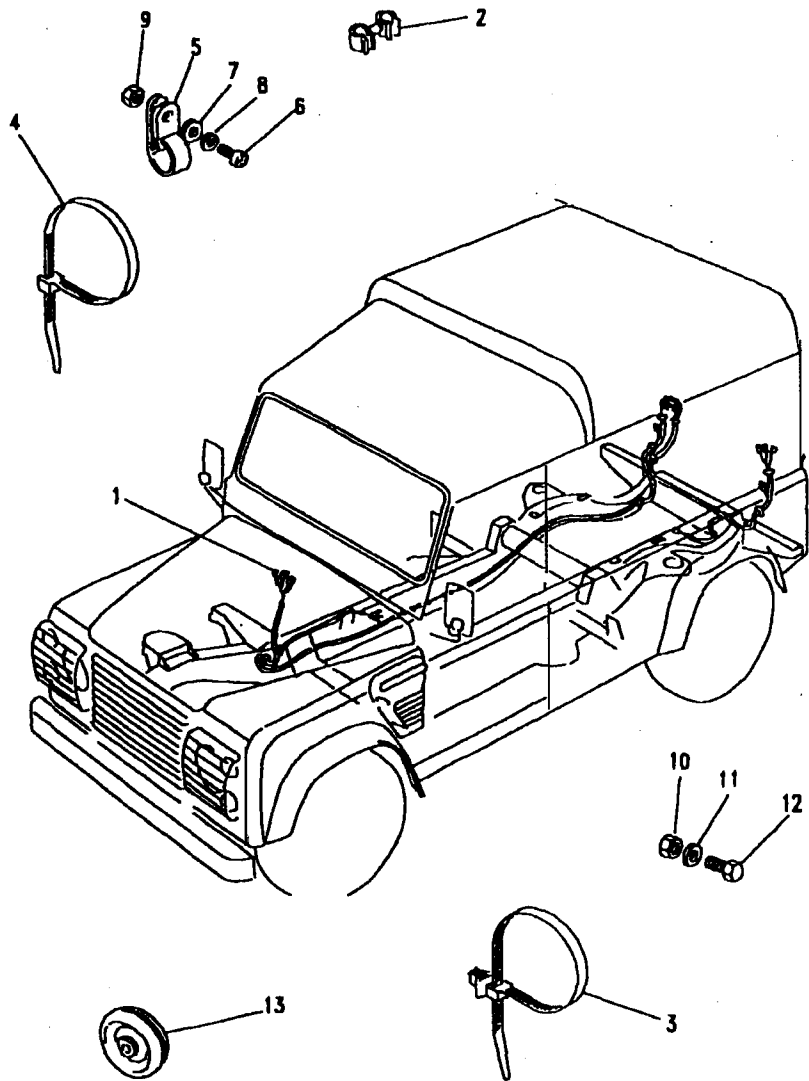
ELECTRICAL - FUSE BOX - DASH MOUNTED - WATERPROOF



III. Part No.	Description	Qty	Remarks
1	YQX100060	1	Note(1&2)
2	YPC117510	1	
3	ABU710080	1	
4	AHU710100	1	
5	YPF100820	1	
6	NT108041L	2	
7	WA108051L	2	
8	WL108001L	2	
9	YQB100370	1	
10	YQG10007	1	
	YQG10008	2	
	YQG10009L	1	
11		1	Note(3)
12	STC4293	1	
13	SE105201L	4	
14	FN105047L	8	
15	AAU710010	1	
16	FS106125L	4	

Note(1)
Note(2)
Note(3)

For facia console fuse box see page 278 - 280
Supplied with lid seal and fuse/relay holder fixing screws.
For glow plug timer unit see page 284



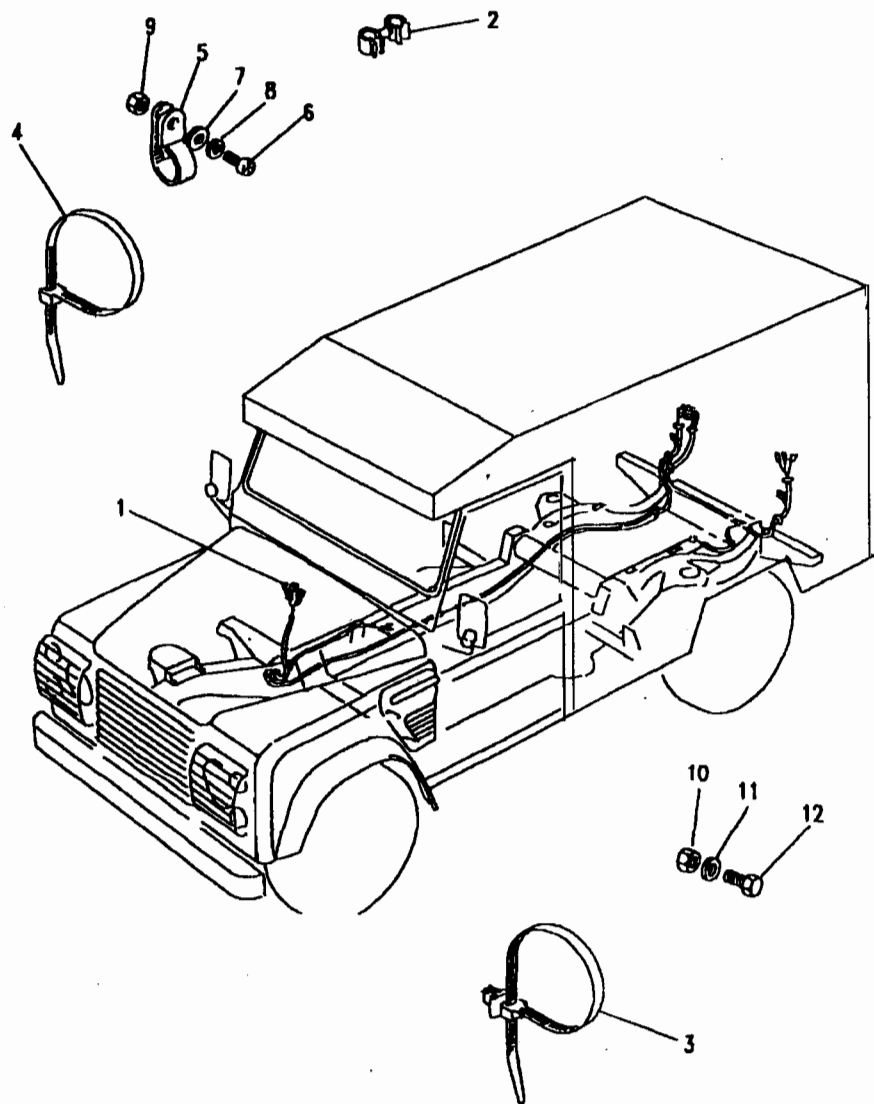
Model DEFENDER XD ALL VARIANTS

Page YDMXCE1A

ELECTRICAL - HARNESS CHASSIS

Ill. Part No.	Description	Qty	Remarks
Chassis harness			
1	RRC8728	1	
	YNN100050	1	Winterised
	YNN100040	1	Waterproof
Fixings - chassis harness			
2	ESR301	2	Clip swivel
3	YQR10016L	A/R	Cable tie panel fixing
4	UKC6684L	A/R	Cable tie 3.5 x 150mm
5	C39377L	2	Strap cable adjustable
6	SE105121L	2	Screw M5
7	WJ105001L	2	Washer plain
8	WL105001L	2	Washer spring
9	NH105041L	2	Nut M5
10	FN108047L	2	Nut M8
11	RTC613	2	Washer plain
12	SH108167L	2	Screw M8
13	AMR3286	1	Grommet chassis harness





Model DEFENDER XD ALL VARIANTS

Page YDMXCE1B

ELECTRICAL - HARNESS CHASSIS - AMBULANCE

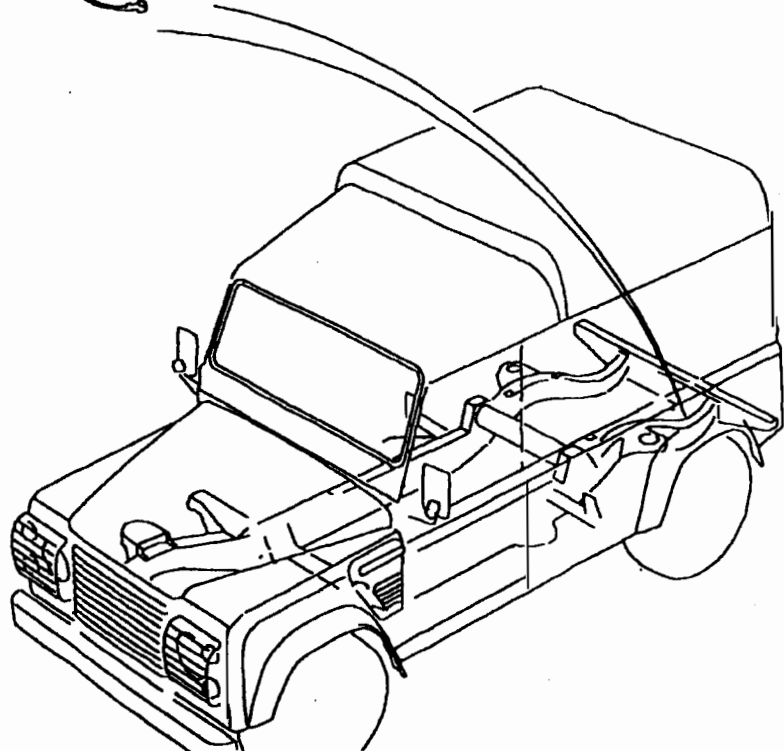
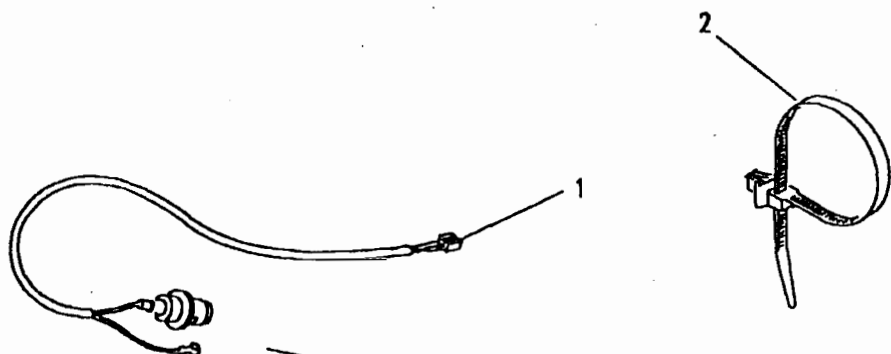
Ill. Part No.	Description	Qty	Remarks
Chassis harness			
1	RRC8702	1	Harness chassis
Fixings - chassis harness			
2	ESR301	2	Clip swivel
3	YQR10016L	A/R	Cable tie panel fixing
4	UKC6684L	A/R	Cable tie 3.5 x 150mm
5	C39377L	2	Strap cable adjustable
6	SE105121L	2	Screw M5
7	WJ105001L	2	Washer plain
8	WL105001L	2	Washer spring
9	NH105041L	2	Nut M5
10	FN108047L	2	Nut M8
11	RTC613	2	Washer plain
12	SH108167L	2	Screw M8

Model DEFENDER XD ALL VARIANTS
Page YDMXCE2A

ELECTRICAL - HARNESS CONVOY LAMP

III. Part No.	Description	Qty	Remarks
1 RRC8618	Harness convoy lamp	1	Note(1)
1 IQF100010	Harness convoy lamp	1	Note(2)
2 YQR10016L	Cable tie panel fixing	2	

Note(1) Standard vehicles - supplied without lamp.
 Note(2) Waterproof vehicles - supplied complete with lamp.

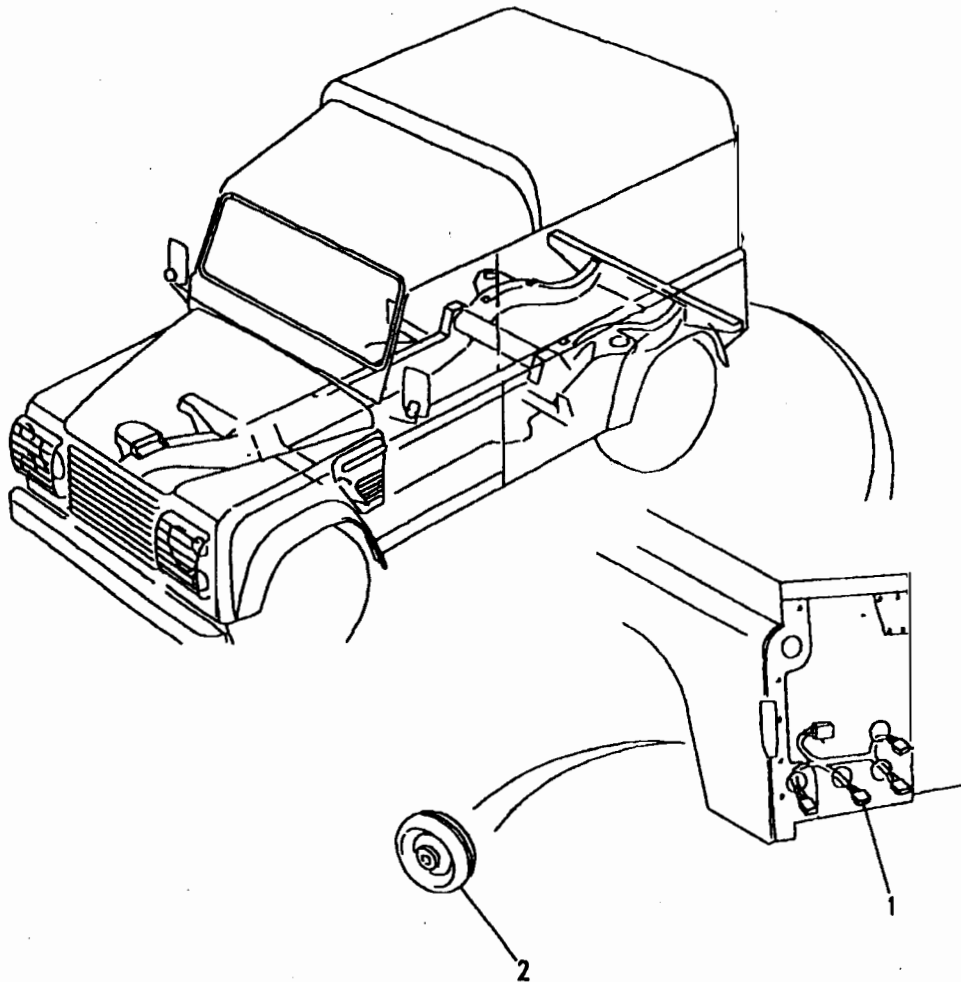




Model DEFENDER XD ALL VARIANTS
Page YDMXCE3A

ELECTRICAL - HARNESS REAR BODY

III. Part No.	Description	Qty	Remarks
1 RRC8730	Harness body rear	2	
YMD112080	Harness body rear	2	Waterproof
2 233243	Grommet cable 6 x 25.5mm	2	
269257	Grommet cable 6 x 33.5mm	2	

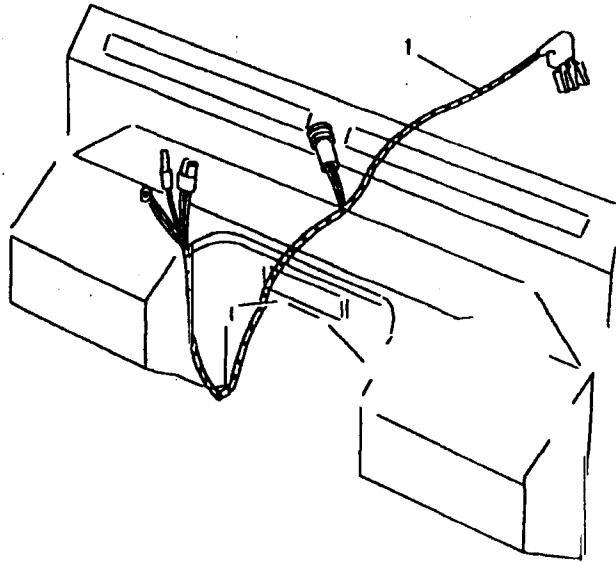


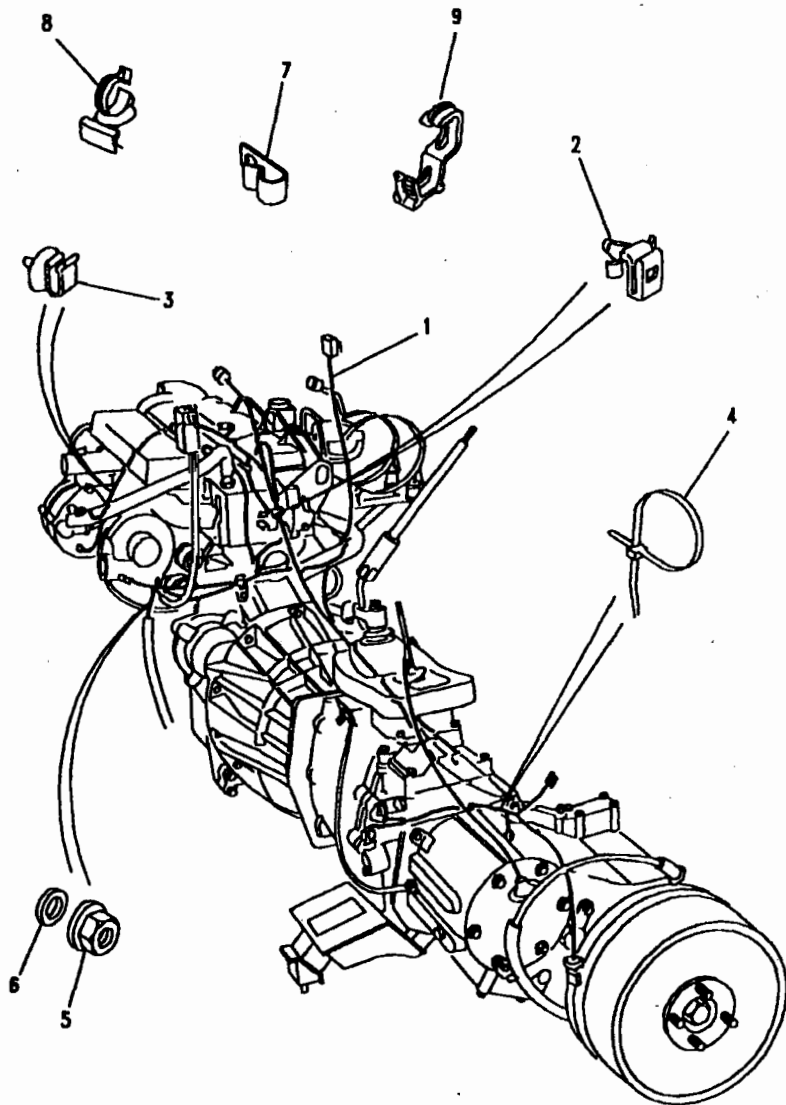


Model DEFENDER XD ALL VARIANTS
Page YDMXCE4A

ELECTRICAL - HARNESS FUEL SYSTEM - 90

III. Part No.	Description	Qty	Remarks
1 AMR3041	Link harness from main harness to sender unit Harness fuel tank	1	





Model DEFENDER XD ALL VARIANTS

Page YDMXCF1A

ELECTRICAL - HARNESS ENGINE

III. Part No. Description Qty Remarks

Engine & gearbox harness - Non EGR - engine prefix 15L

1	RRC8645	Harness engine	1	GS
	RRC8629	Harness engine	1	FFR

Engine & gearbox harness - EGR - engine prefix 25L

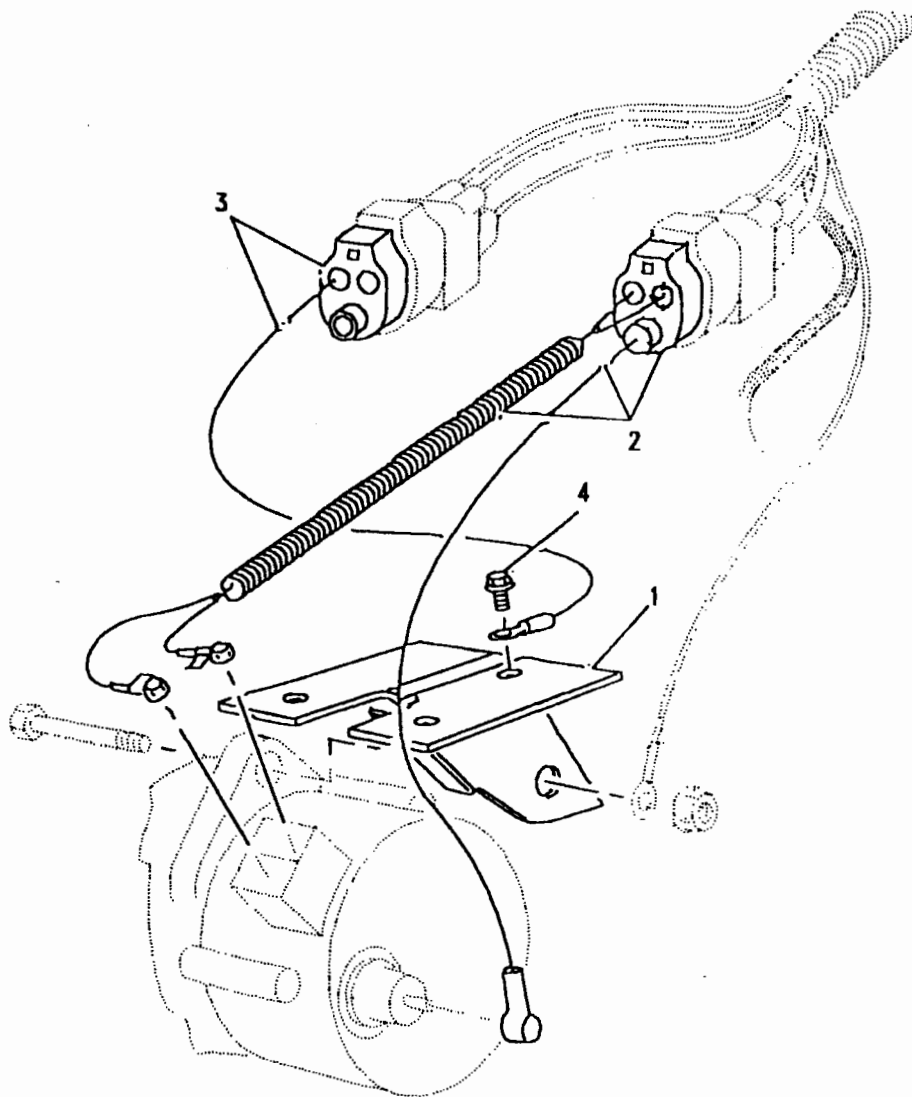
	RRC8788	Harness engine	1	GS
	RRC8789	Harness engine	1	FFR

Engine & gearbox harness - EGR - waterproof - engine prefix 25L

	YSB106920	Harness engine	1	GS
	YSB106940	Harness engine	1	FFR

Fixings - engine & gearbox harness

2	YYC10030L	Clip cable plastic	1	
3	AFU1090L	Clip cable plastic	3	
4	573256	Cable tie 2.5 x 100mm	A/R	
	568680	Cable tie 4.8 x 270mm	A/R	
5	FN108047L	Nut M8	1	
6	WL108001L	Washer spring M8	1	
7	NTC3863	Clip harness steel	1	
8	AMR5481	Clip edge harness	1) Vehicles with EGR
9	DBP8169L	Clip snap type	2)



Model DEFENDER XD ALL VARIANTS
Page YDMXCF2A

ELECTRICAL - HARNESS ENGINE - ALTERNATOR LINKS - WATERPROOF

Ill. Part No.	Description	Qty	Remarks
---------------	-------------	-----	---------

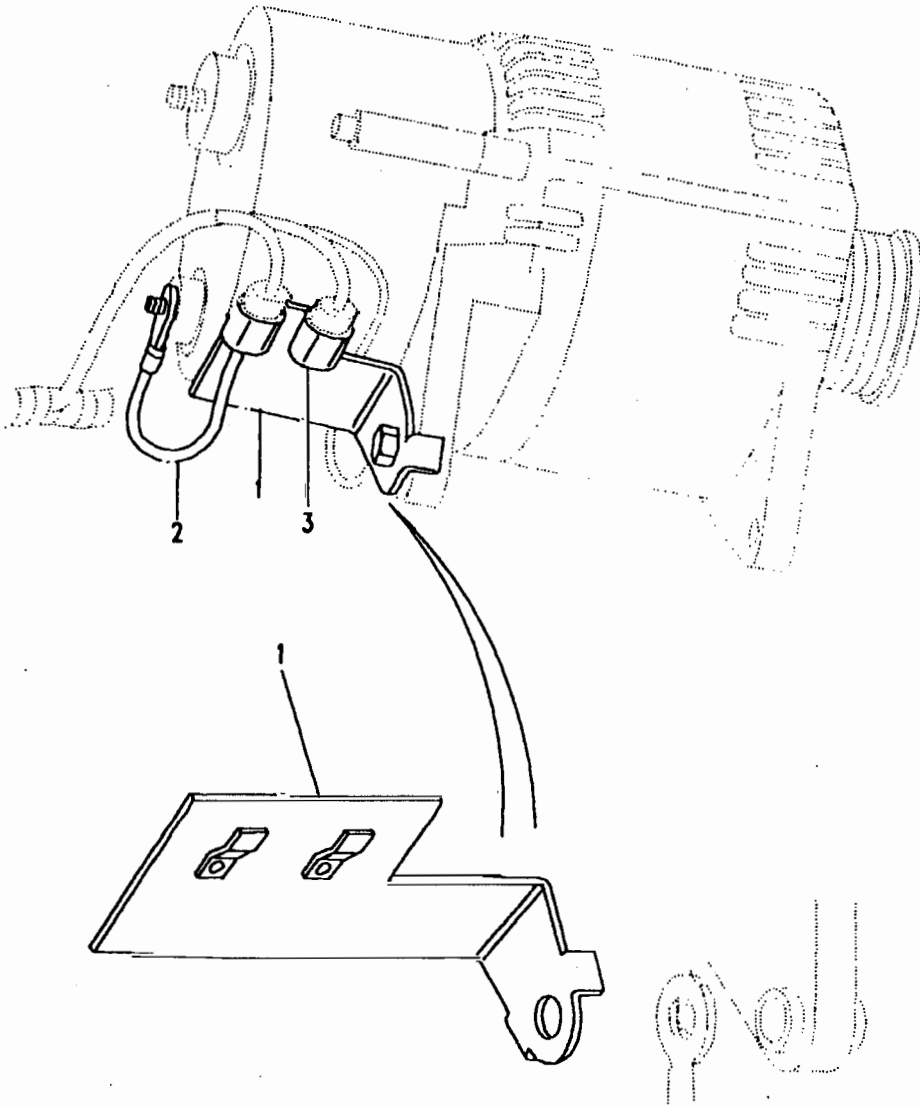
Alternator links - lower (GS) alternator			
1	AHU710110	1	Bracket harness connector
2	YMT100070	1	Harness alternator link
3	IPS100030	1	Plug assembly blanking
4	FS105107	1	Screw M5 x 10

Model DEFENDER XD ALL VARIANTS
Page YDMXCF2B

ELECTRICAL - HARNESS ENGINE - ALTERNATOR LINKS - WATERPROOF

Ill. Part No.	Description	Qty	Remarks
---------------	-------------	-----	---------

Alternator links - upper (FFR) alternator			
1	AHU710120	1	Bracket harness connector
2	STC4361	1	Harness alternator link
3	IPS100030	1	Plug assembly blanking



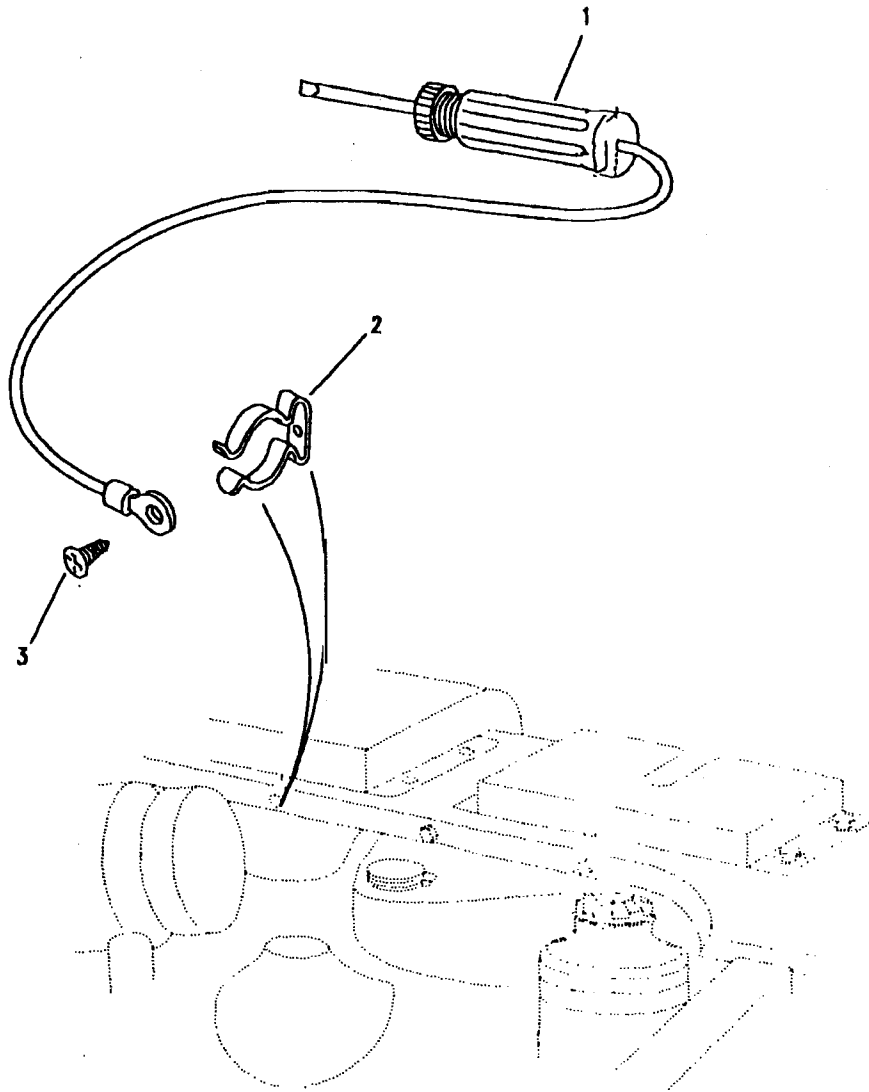
Model DEFENDER XD ALL VARIANTS
Page YDMXCF2C

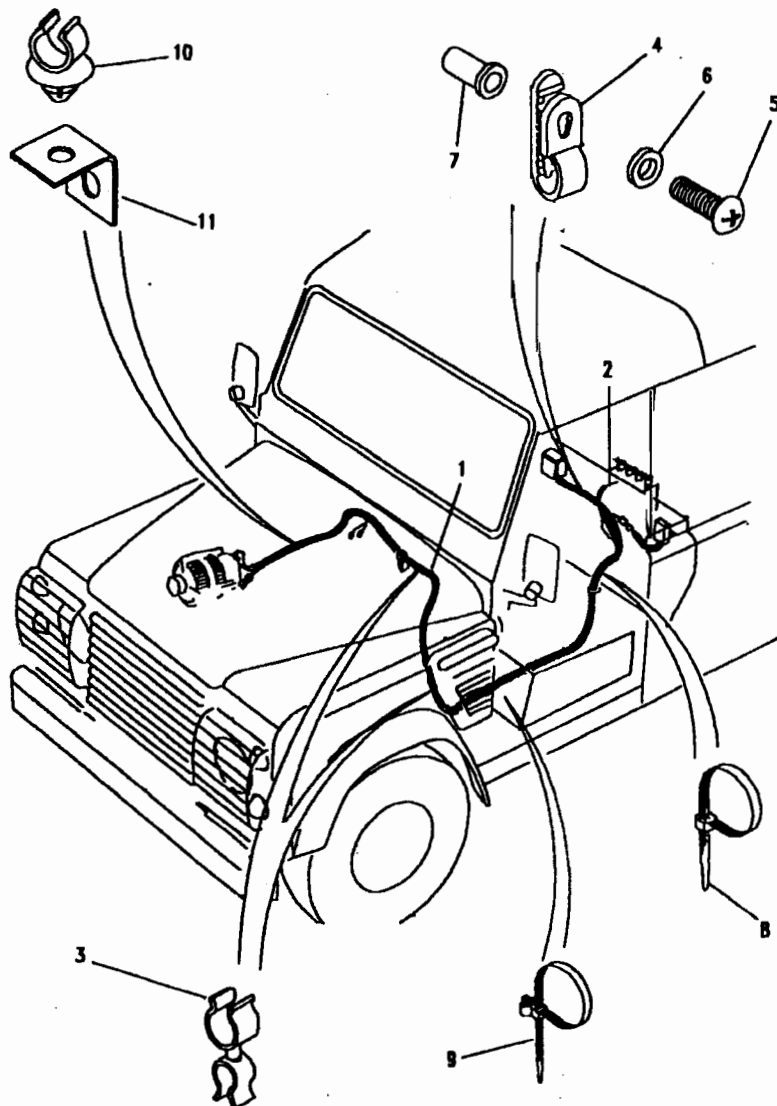
ELECTRICAL - HARNESS ENGINE - ALTERNATOR LINKS - WATERPROOF

III. Part No.	Description	Qty	Remarks
---------------	-------------	-----	---------

Tool - connector de-latching

1	IRU100000	1	Tool connector release
2	508035	1	Clip tool stowage
3	AB608044	1	Screw No8 x 1/2



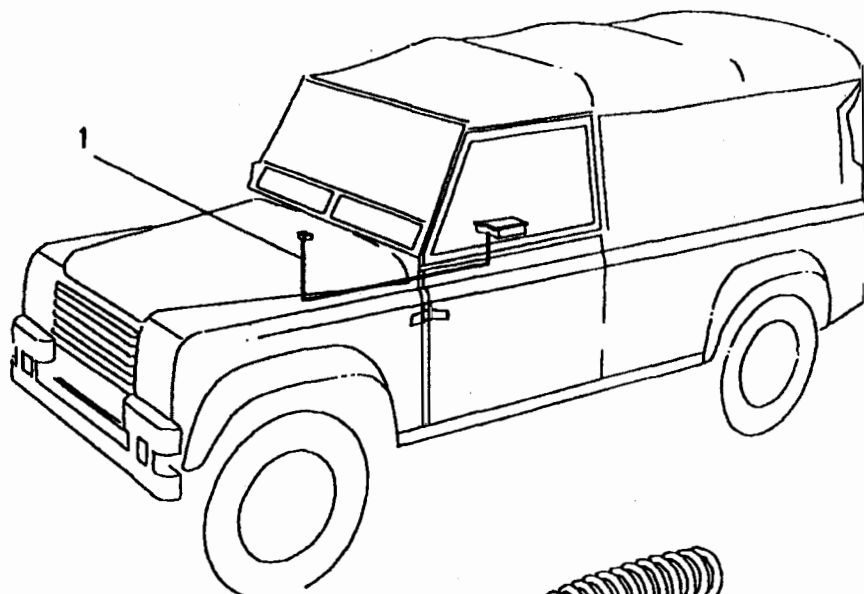


Model DEFENDER XD ALL VARIANTS

Page YDMXC11A

ELECTRICAL - HARNESS FFR CHARGING INTERLINK

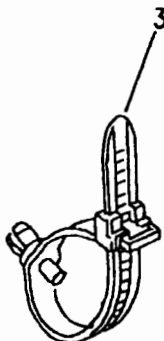
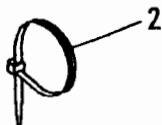
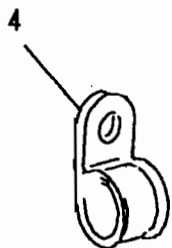
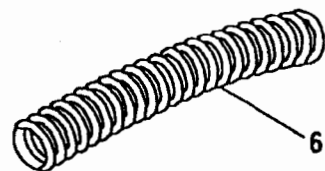
Ill. Part No.	Description	Qty	Remarks
FFR - charging harness			
1	RRC8630	1	
	YMN102200	1	Waterproof
2	PRC5582	1	
3	CDU1067L	1	
4	C393771L	3	
5	SE105201L	3	
6	WA105001L	3	
7	NN105011	3	
8	573246	4	
9	YQR10016L	2	
10	MXC1848	2	
11	NRC2089	2	



Model DEFENDER XD ALL VARIANTS
Page YDMXC11J

ELECTRICAL - HARNESS EGR

III. Part No.	Description	Qty	Remarks
Harness EGR ECU to modulator			
1	RRC8820	1	
2	573256	2	
3	AAU3686	1	Panel fixing
4	BAU1689	1	
5	FN106047L	1	
6	PRC5007	A/R	105mm length



Model DEFENDER XD ALL VARIANTS

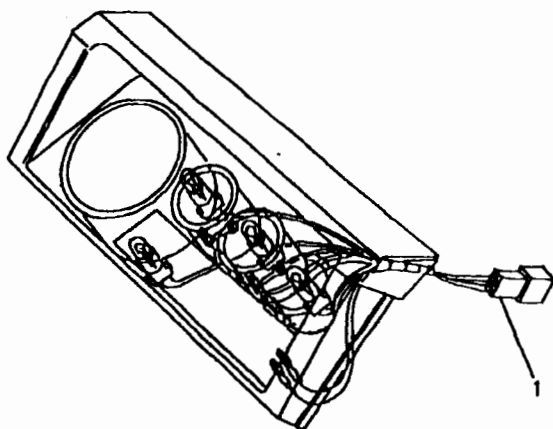
Page YDMXC12A

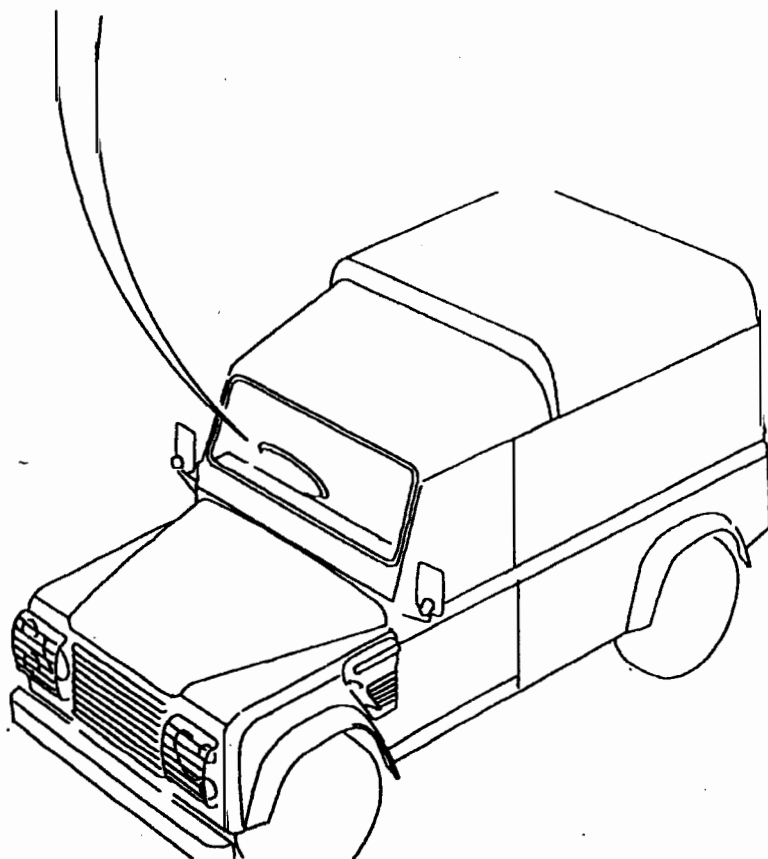
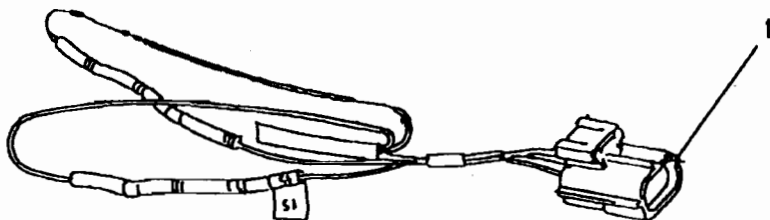
ELECTRICAL - HARNESS INSTRUMENT

III. Part No.	Description	Qty	Remarks
Instrument pack harness			
1 AMR3101	Harness instrument	1	Note(1&2)

Note(1) Supplied with 12V bulbs - REPLACE WITH 24V BULBS BEFORE USE - see page 294 - 295

Note(2) For standard (non-waterproof) vehicles only. Waterproof vehicles use combined harness/speedometer cable assembly - see page 296





Model DEFENDER XD ALL VARIANTS

Page YDMXC13A

ELECTRICAL - HARNESS HEADLAMP LEVEL RESISTOR

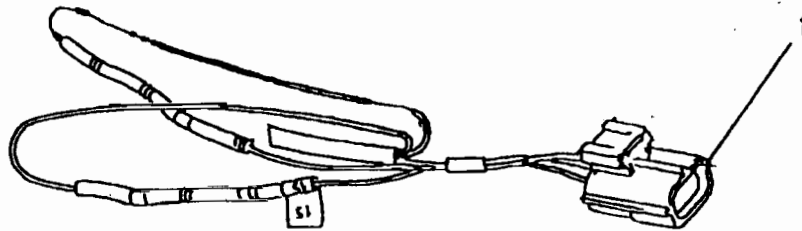
III. Part No.	Description	Qty	Remarks
---------------	-------------	-----	---------

Resistor pack for headlamp levelling - standard vehicles

1	RRC8632	Harness resistor pack	1 90
	RRC8631	Harness resistor pack	1 110

Resistor pack for headlamp levelling - waterproof vehicles

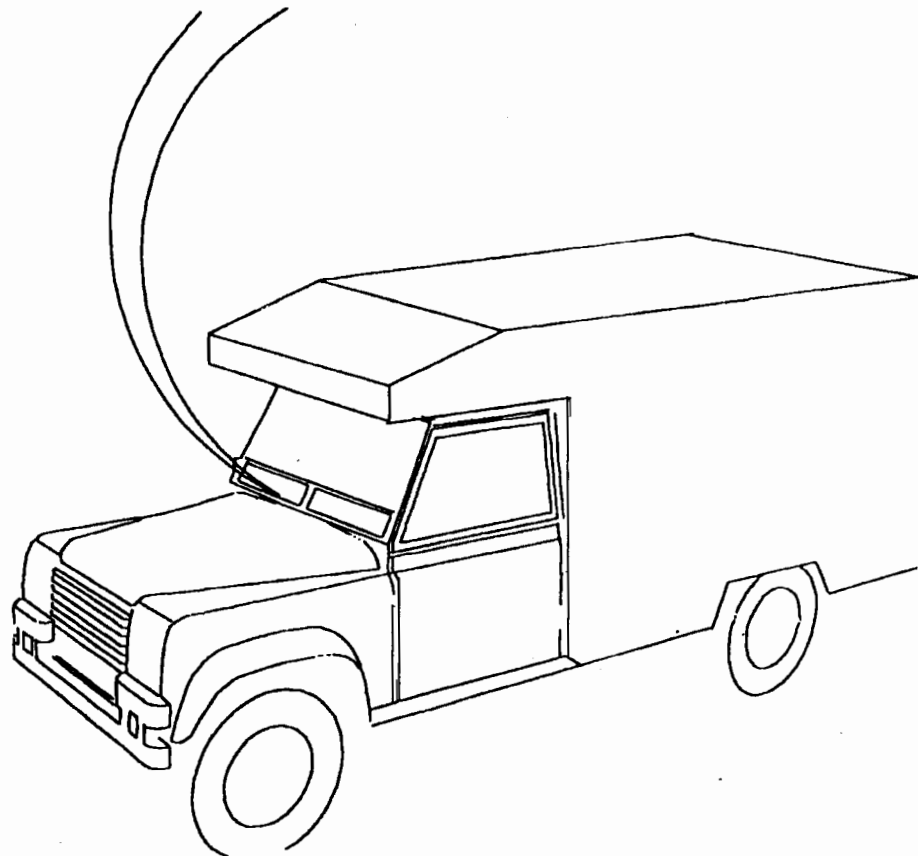
	YMZ101040	Harness resistor pack	1 90
	YMZ101050	Harness resistor pack	1 110



Model DEFENDER XD ALL VARIANTS
Page YDMXC14A

ELECTRICAL - HARNESS HEADLAMP LEVEL RESISTOR - AMBULANCE

III. Part No.	Description	Qty	Remarks
1 RRC8724	Resistor pack for headlamp levelling Harness resistor pack	1	

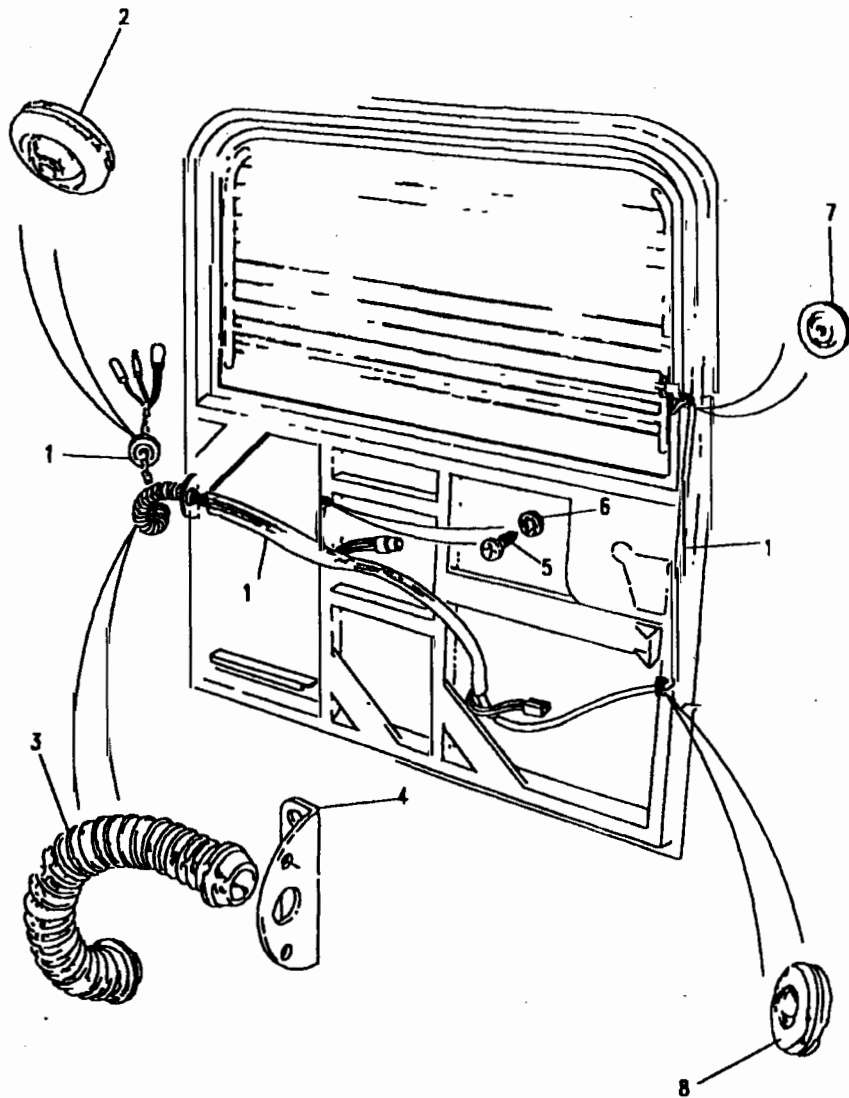


Model DEFENDER XD ALL VARIANTS
 Page YDMXC15A

ELECTRICAL - HARNESS REAR END DOOR - WINTERISED

III. Part No.	Description	Qty	Remarks
Rear end door harness - winterised vehicles			
1	YMM109870	1	Note(1)
2	BMK1714	1	
3	AMR3963	1	
4	MTC9914	1	
5	AB610041L	1	
6	WA105001L	1	
7	27H5311	1	
8	233243	1	

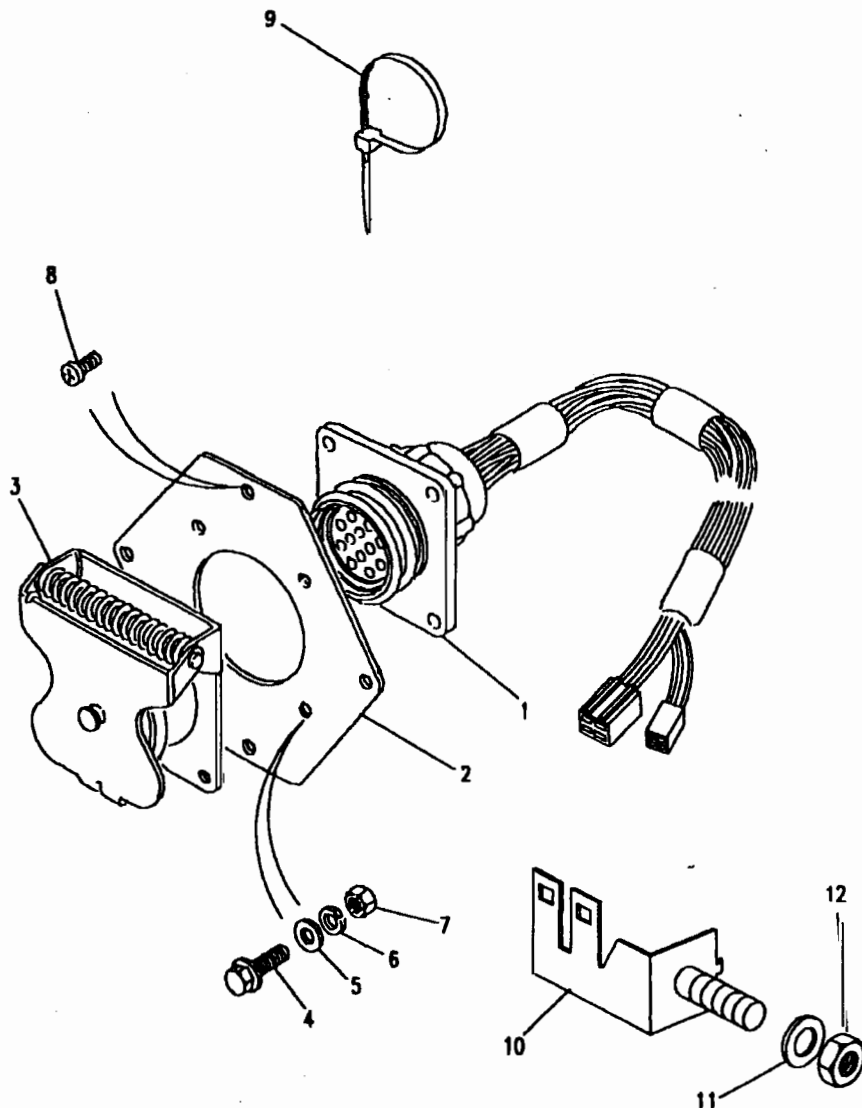
Note(1) Also supplied as part of rear wiper motor assembly for waterproof variants.



Model DEFENDER XD ALL VARIANTS
Page YDMXC16A

ELECTRICAL - SOCKET NATO 12 PIN TRAILER CONNECTION

III. Part No.	Description	Qty	Remarks
1	RRC8736	1	Socket 12 pin NATO
2	NRC4967	1	Plate mounting
3	PRC6239	1	Cap socket protection
4	FS106207L	4	Screw M6 x 20
5	WA106041L	4	Washer plain M6
6	WL106001L	4	Washer spring M6
7	NH106041L	4	Nut M6
8	SL105087	4	Screw taptite M5 x 8
9	UKC6684L	2	Cable tie 3.5 x 150mm
10	DCP8706L	1	Bracket mounting
11	WL106001L	4	Washer spring M6
12	NH106041L	4	Nut M6

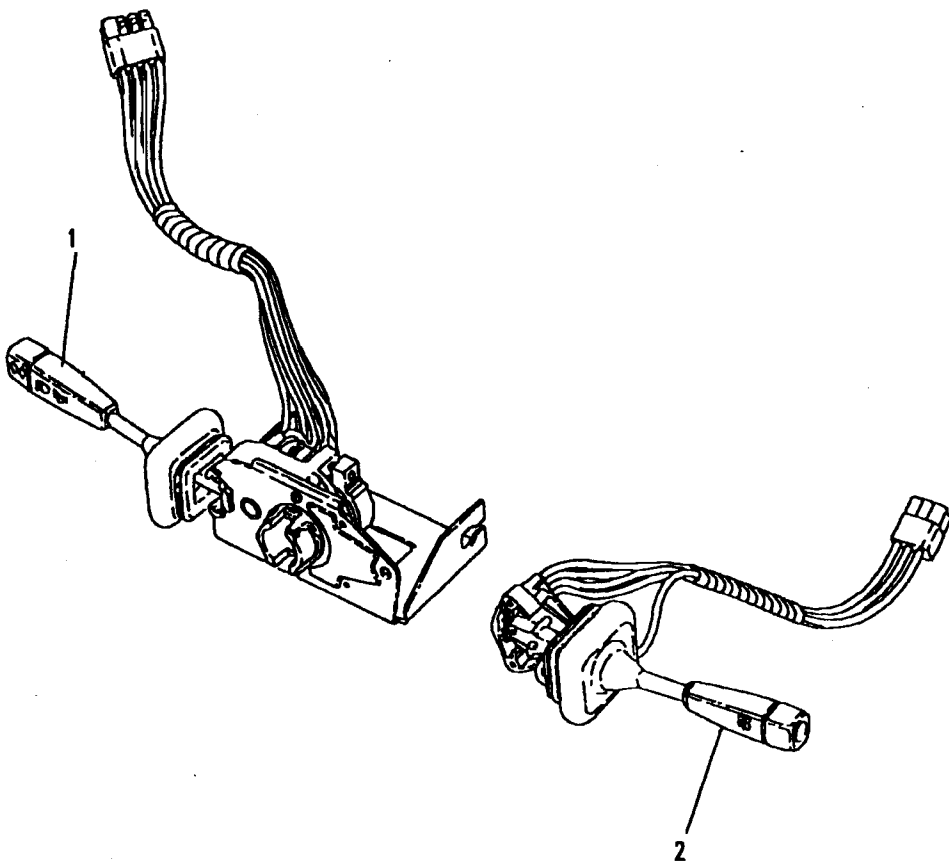


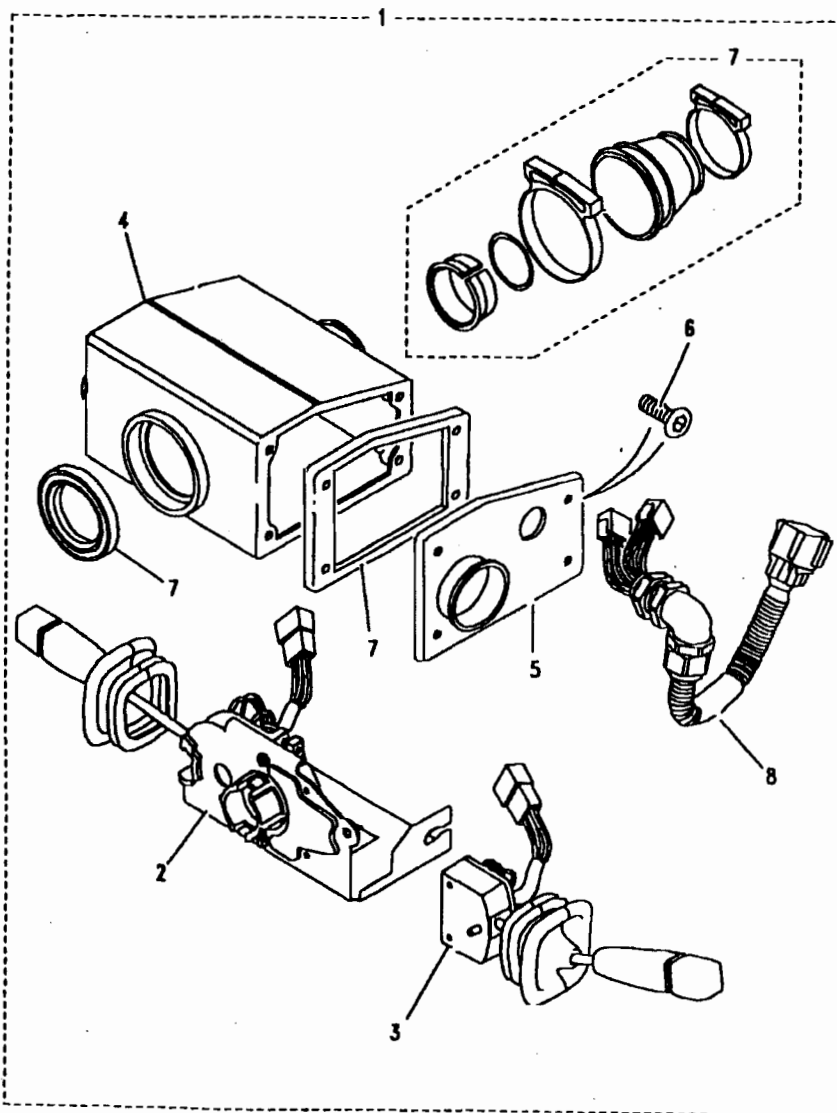
Model DEFENDER XD ALL VARIANTS
Page YDMXE1A

ELECTRICAL - SWITCHES - STEERING COLUMN

III. Part No.	Description	Qty	Remarks
1 PRC3875	Switch indicator/horn/dip	1	Up to VA102315
AMR6105	Switch indicator/horn/dip	1	From VA102316 up to VA138479
XPB101290	Switch indicator/horn/dip	1	From WA138480
2 PRC7370	Switch wash/wipe	1	Up to VA102315
AMR6106	Switch wash/wipe	1	From VA102316

Note(1) For ignition switch see page 132



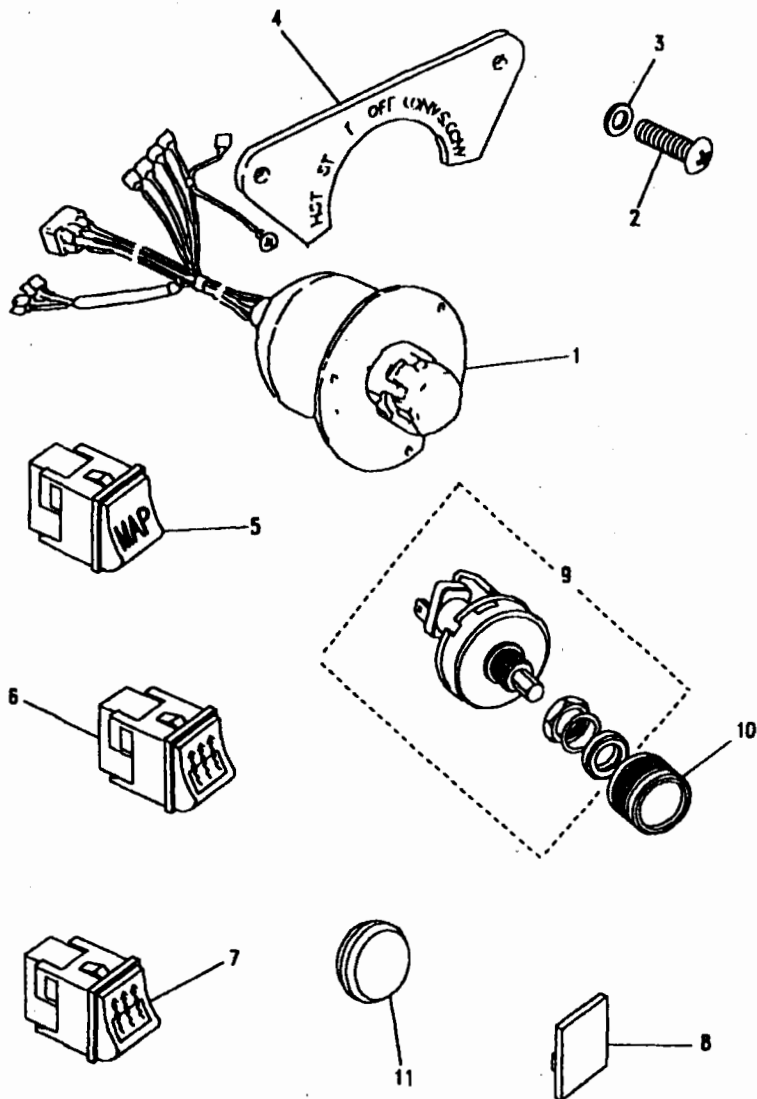


Model DEFENDER XD ALL VARIANTS
Page YDMXE2A

ELECTRICAL - SWITCHES - STEERING COLUMN - WATERPROOF

Ill. Part No.	Description	Qty	Remarks
1	IPC100020	1	Box assy column switch
2	XPB101290	1	Switch indicatr/horn/dip
3	AMR6106	1	Switch wash/wipe
4	XPH100160	1	Housing switch
5	XPI100000	1	Plate side
6	BYP100210	4	Screw torx
7	STC4296	1	Kit seal
8	YMQ103500	1	Harness column switches

Note(1) For ignition switch see page 278 - 280

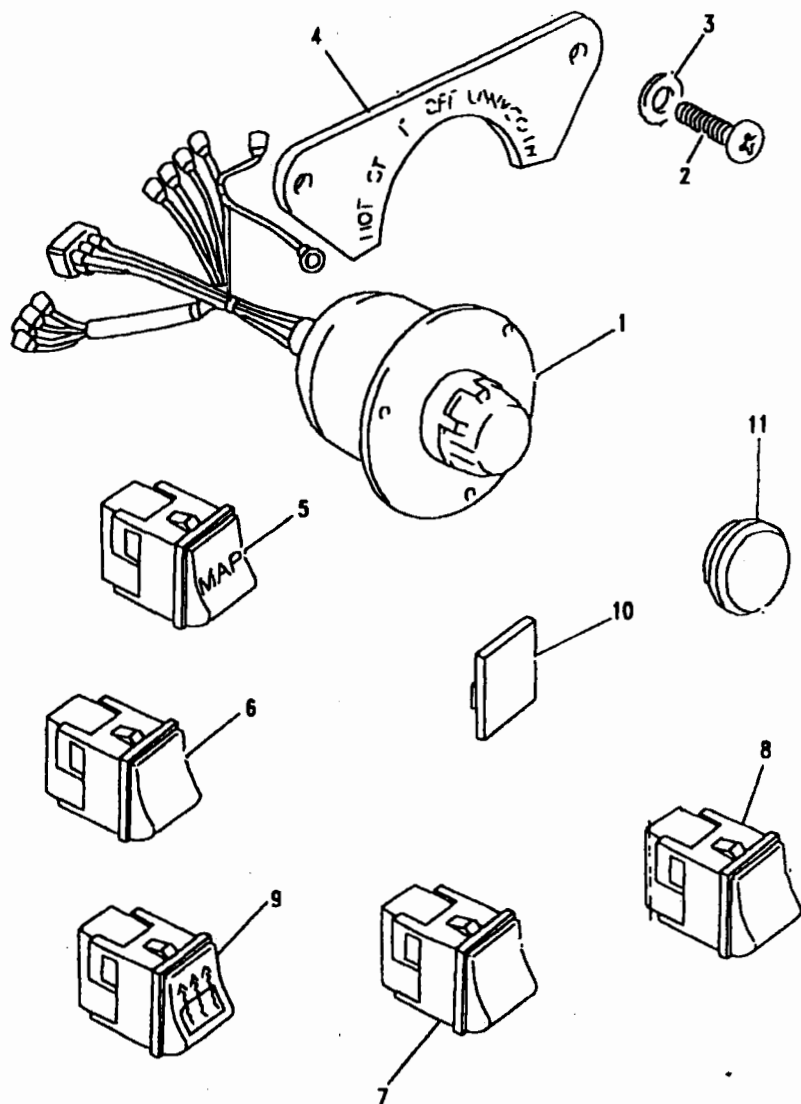


Model DEFENDER XD ALL VARIANTS
Page YDMXEC1A

ELECTRICAL - SWITCHES - DASH UPPER

Ill. Part No.	Description	Qty	Remarks
Switch six way lighting			
1	AMR2569	1	Switch light rotary
2	70667	3	Screw
3	WC105001	3	Washer
4	348797	1	Label light switch
Switch map reading lamp			
5	AMR4911	1	Switch map lamp
Switch heated screen - winterised vehicles			
6	YUF101600	1	Switch heated windscreen
7	YUF101500	1	Switch heated rear window
8	AAM222L	A/R	Plug blanking
Switch rear screen wash/wipe - winterised vehicles			
9	PRC4449	1	Switch rear wash/wipe
10	PRC4454	1	Knob switch
11	MXC8157	A/R	Grommet blanking

Note(1) For waterproof vehicles - see page 278 - 280



Model DEFENDER XD ALL VARIANTS
Page YDMXEC1B

ELECTRICAL - SWITCHES - DASH UPPER - AMBULANCE

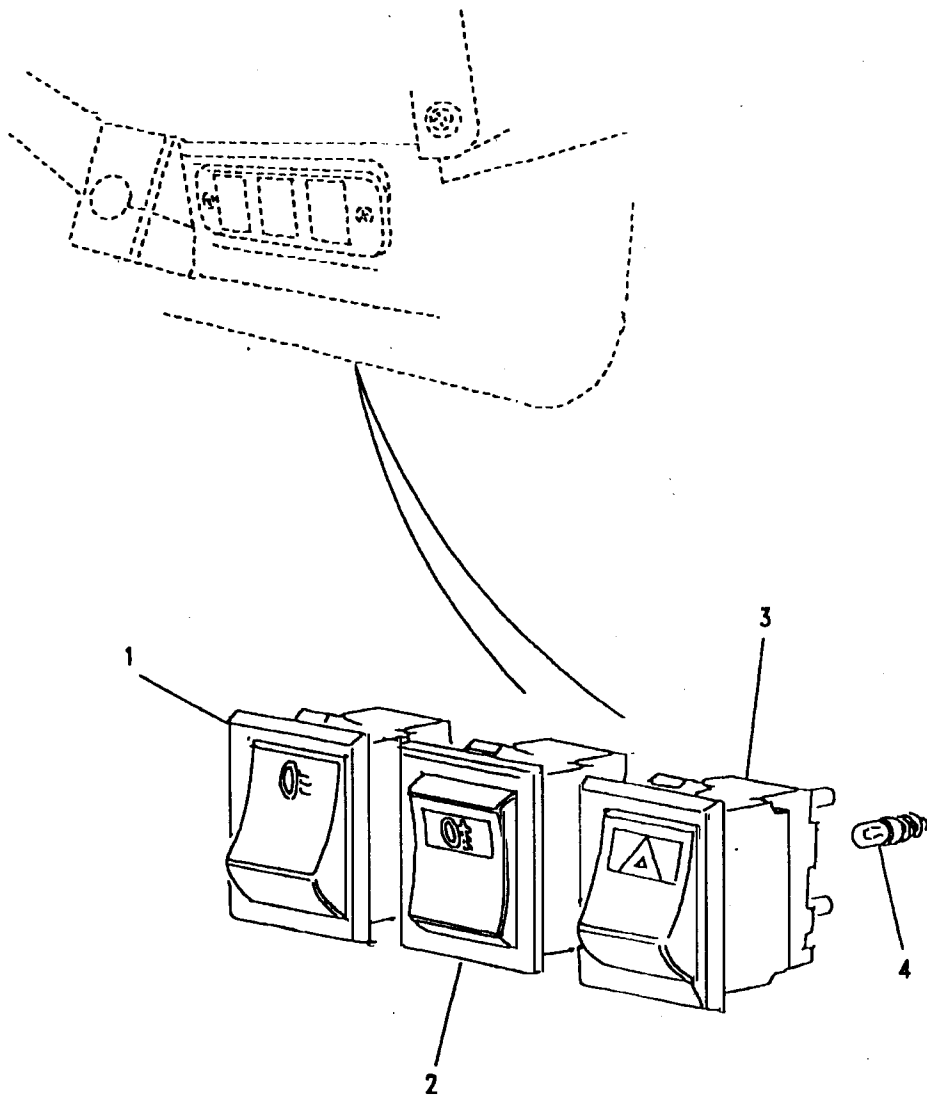
III. Part No.	Description	Qty	Remarks
Switch six way lighting			
1 AMR2569	Switch light rotary	1	
2 70667	Screw	3	
3 WC105001	Washer	3	
4 348797	Label light switch	1	
Switch map reading lamp			
5 AMR4911	Switch map lamp	1	
Switch two tone horn			
6 STC3668	Switch siren	1	
STC3461	Bulb switch	1	
Switch rotating beacon			
7 STC2478	Switch beacon	1	
STC3461	Bulb switch	1	
Switch interior lamp - cab light			
8 C38637L	Switch interior lamp	1	
Switch heated screen - winterised vehicles			
9 YUF101600	Switch heated windscreen	1	
Switch aperture blanking plugs			
10 AAM222L	Plug blanking	A/R	
11 MXC8157	Grommet blanking	A/R	

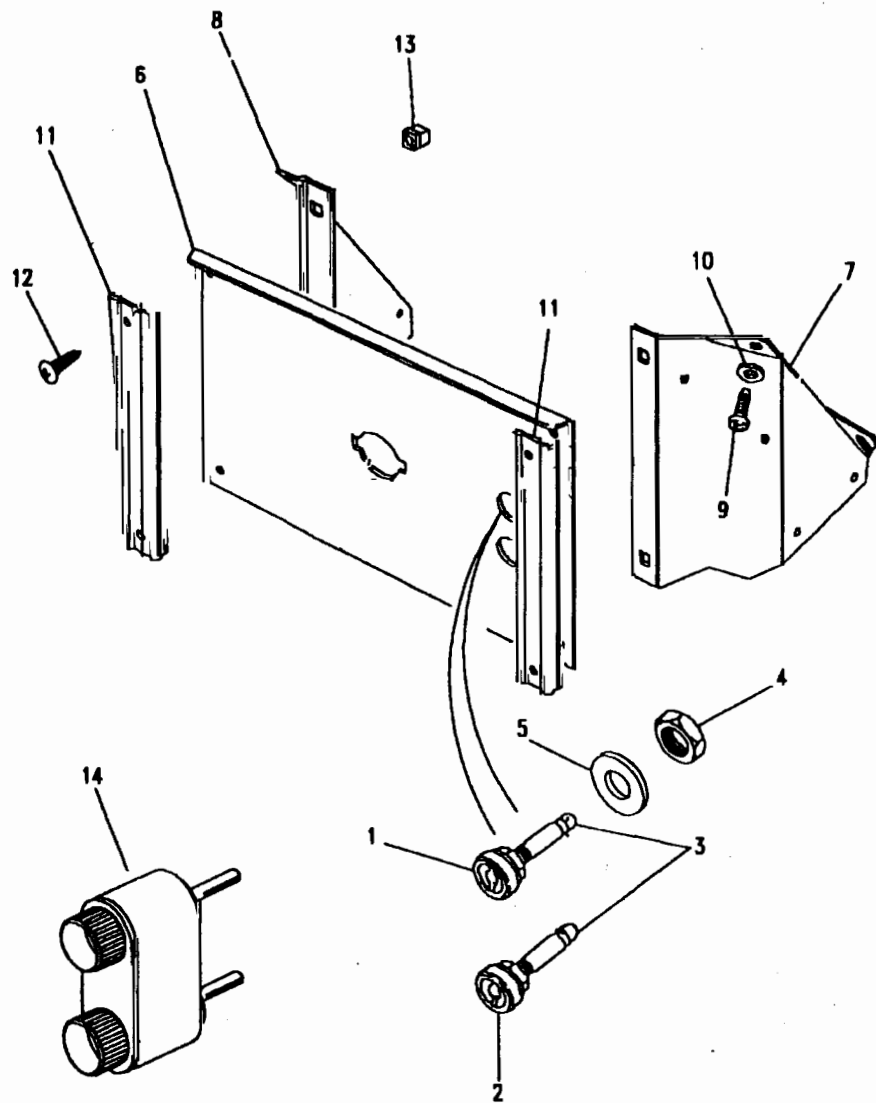
Model DEFENDER XD ALL VARIANTS
Page YDMXEC2A

ELECTRICAL - SWITCHES - DASH LOWER

III. Part No.	Description	Qty	Remarks
1 RRC8398	Switch headlamp level	1	Up to VA138479
YUF101630	Switch headlamp level	1	From WA138480
2 AMR5085	Switch rear fog lamp	1	Up to VA138479
YUF101640	Switch rear fog lamp	1	From WA138480
3 ASU1009	Switch hazard warning	1	Note(2&3)
YUF101490	Switch hazard warning	1	Note(2&4)
YUF101830	Switch hazard warning	1	Note(5)
4 PRC4326	Bulb hazard switch 24V	1	

Note(1) For waterproof vehicles - see page 278 - 280
 Note(2) Supplied with 12V bulb - REPLACE WITH 24V BULB.
 Note(3) Up to VA138479
 Note(4) From WA138480 up to WA158577
 Note(5) From WA158578



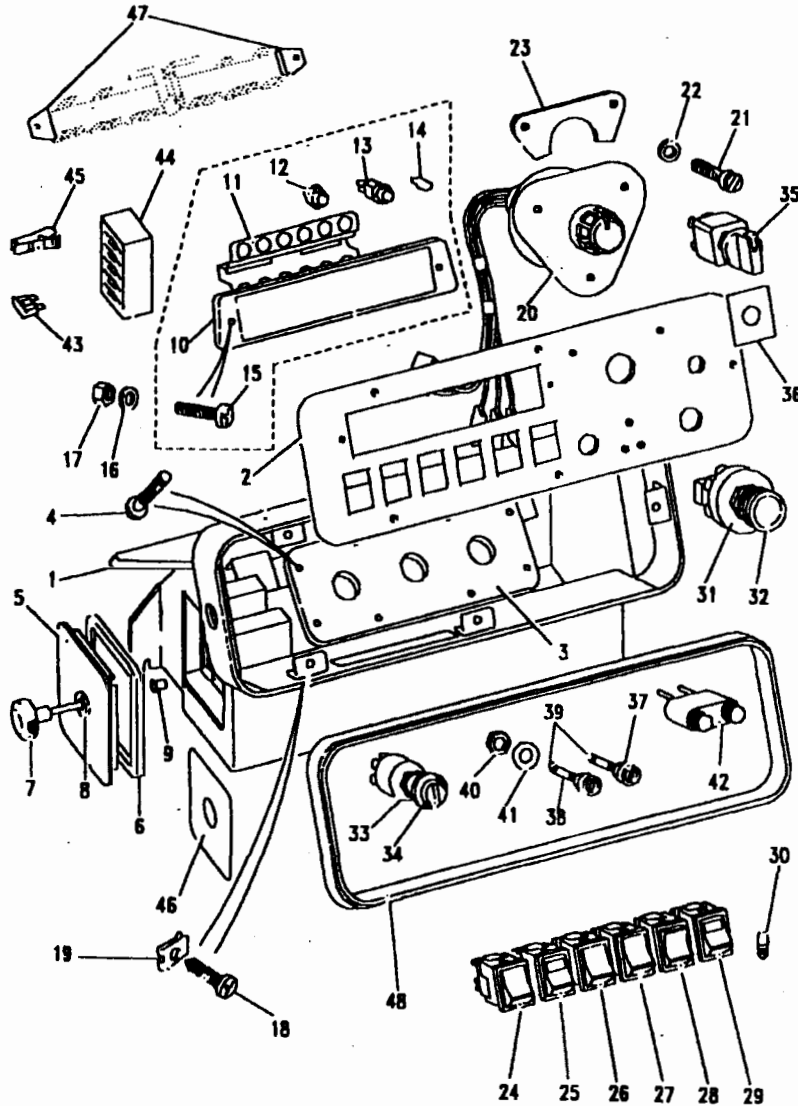


Model DEFENDER XD ALL VARIANTS
Page YDMXEC3A

ELECTRICAL - AUXILIARY DASH PANEL

III. Part No.	Description	Qty	Remarks
Inspection lamp sockets			
1	PRC2079	1	Bush insulating red
2	PRC2080	1	Bush insulating black
3	PRC2078	2	Socket electrical
4	PRC2087	2	Nut socket retaining
5	3052	2	Washer fibre
Auxiliary switch panels - standard vehicles			
6	RRC3582	1	Panel switch
7	RRC5506	1	Panel side RH
8	AMR4913	1	Panel side LH
7	AMR4912	1	Panel side RH
8	RRC5507	1	Panel side LH
Auxiliary switch panels - winterised vehicles			
6	RRC8599	1	Panel switch
	YAF100120	1	Panel switch
7	RRC8285	1	Panel side RH
8	AMR4913	1	Panel side LH
Fixings - auxiliary switch panels			
9	AB606031	8	Screw side panel to dash
10	WC104001	8	Washer side panel to dash
11	MTC6115	2	Trim finisher
12	AB606051	4	Screw trim finisher
13	RTC3745	4	Nut lokut
Plug - inspection lamp & electrical accessories			
14	STC3334	A/R	Plug electrical

Note(1) Modify to suit for ambulance application.



Model DEFENDER XD ALL VARIANTS
 Page YDMXEC3D

ELECTRICAL - CENTRE CONSOLE - WATERPROOF

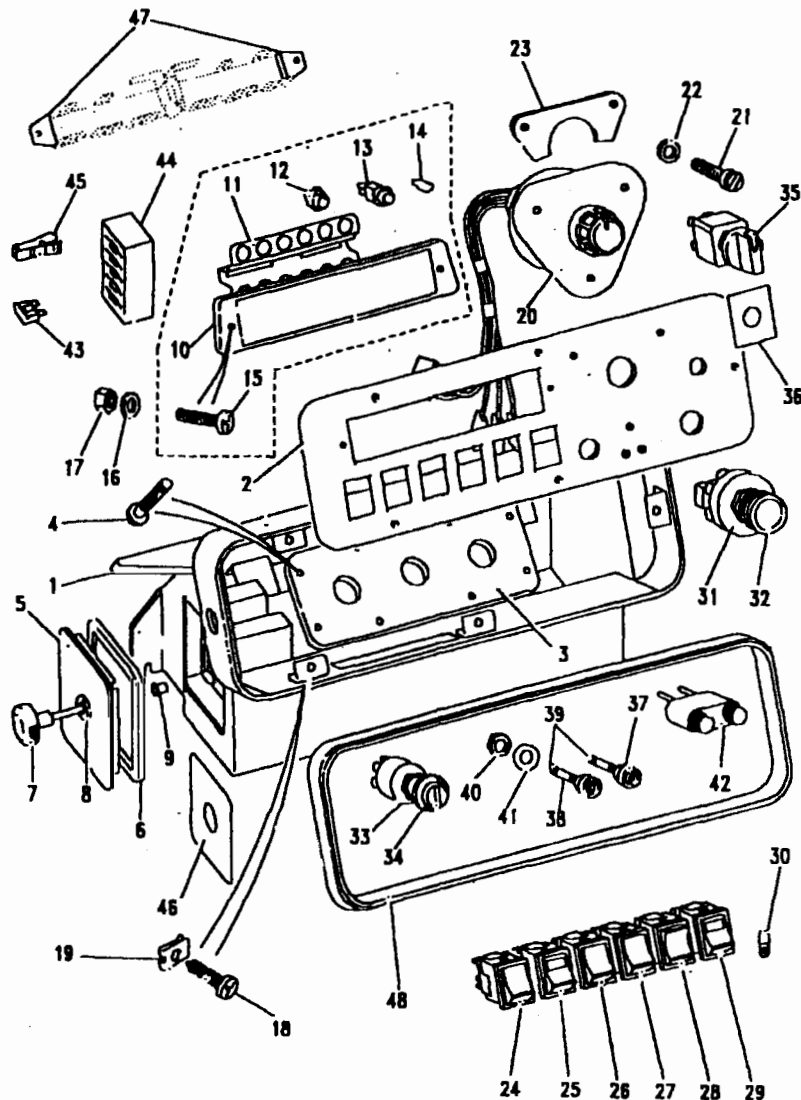
III. Part No. Description Qty Remarks

Centre console & warning light panel assembly

1	IPC100000	Console assembly	1
2	FBX100360	Panel switch	1
3	IQL100010	Gasket cable entry	1
4	SE105201	Screw M5 x 20	8
5	FCL101020	Cover access fusebox	1
6	IQL100000	Gasket fuse cover	1
7	MTC9968	Screw cover fixing	1
8	ERC5830	Grommet	1
9	NN105011	Nutsert M5	1
10	AMR5149	Module warning light	1
11	AEU2721	Printed circuit	1
12	RTC3878	Bulb holder	13
13	STC3086	Bulb holder	5
14	PRC2268	Bulb 24V 1.2W	18
15	SG104165	Screw module fixing	2
16	WA104001	Washer plain M4	2
17	NH104041L	Nut M4	2
18	AB608051	Screw No8 x 5/8	7
19	BTR475	Nut spring	7

Switch six way lighting

20	AMR2569	Switch light rotary	1
21	70667	Screw	3
22	WC105001	Washer	3
23	348797	Label light switch	1



Model DEFENDER XD ALL VARIANTS

Page YDMXEC3D

ELECTRICAL - CENTRE CONSOLE - WATERPROOF

III. Part No. Description Qty Remarks

Switches - rocker type

24	AMR4911	Switch map lamp	1
25	YUF101630	Switch headlamp level	1
26	YUF101500	Switch heated rear window	1
27	YUF101600	Switch heated windscreen	1
28	YUF101640	Switch rear fog lamp	1
29	YUF101830	Switch hazard warning	1
30	PRC4326	Bulb hazard switch 24V	1

Switches - rotary

31	PRC4449	Switch rear wash/wipe	1
32	PRC4454	Knob switch	1
33	551508	Switch ignition	1
34		Lock ignition	1
35	YUK100250	Switch heater	1
36	QRD100010	Label heater control	1

Note(1)

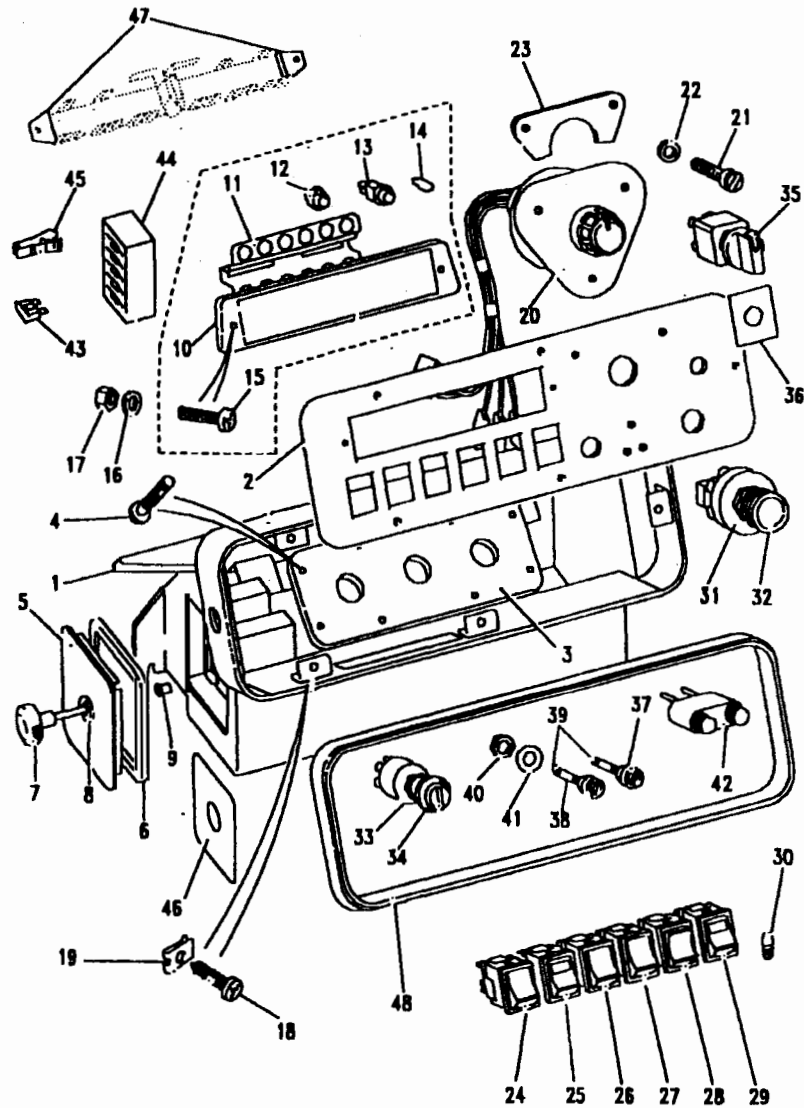
Inspection lamp sockets

37	PRC2079	Bush insulating red	1
38	PRC2080	Bush insulating black	1
39	PRC2078	Socket electrical	2
40	PRC2087	Nut socket retaining	2
41	3052	Washer fibre	2

Plug - inspection lamp & electrical accessories

42	STC3334	Plug electrical	A/R
----	---------	-----------------	-----

Note(1) For lock barrel and keys - see page 370

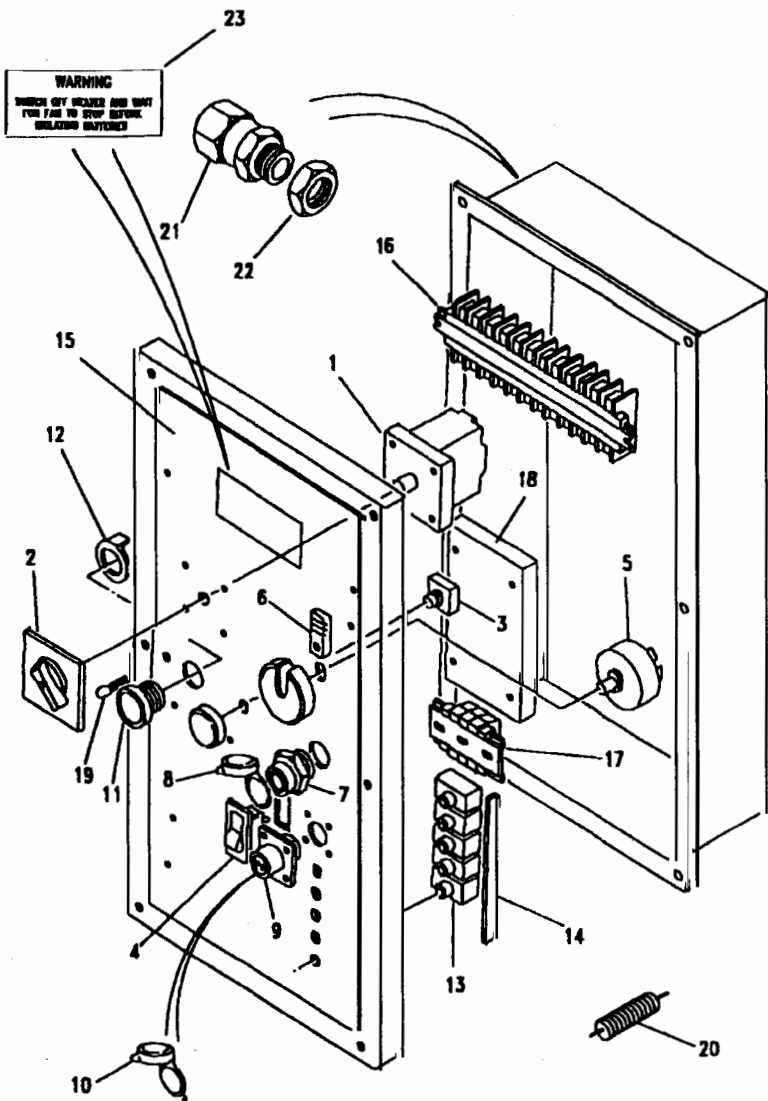


Model DEFENDER XD ALL VARIANTS
Page YDMXEC3D

ELECTRICAL - CENTRE CONSOLE - WATERPROOF

III. Part No.	Description	Qty	Remarks
Fuses and relays - note(1)			
43	RTC4481		Fuse 3A auto
	RTC4497		Fuse 5A auto
	RTC4498		Fuse 7.5A auto
	RTC4501		Fuse 10A auto
	RTC4503		Fuse 15A auto
	ADU1878L		Fuse 20A auto
44	HAM4301L	1	Holder fuse
45	PRC4412	1	Extractor fuse
46	FCX100150	1	Label fuse
47	YQU104550	2	Bracket relay
48	IPD100000	1	Seal flange console

Note(1) For relays - see page 286



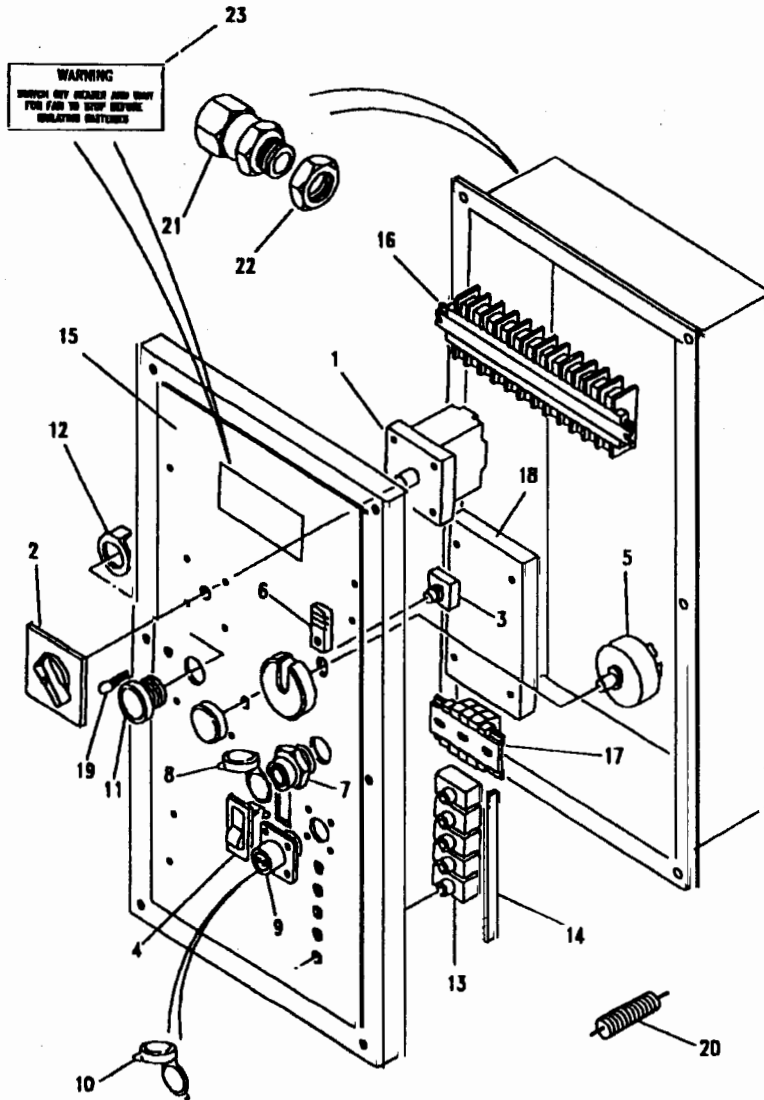
Model DEFENDER XD ALL VARIANTS

Page YDMXEC4A

ELECTRICAL - POWER DISTRIBUTION PANEL - AMBULANCE

III. Part No.	Description	Qty	Remarks
Switches			
1 STC3474	Switch rotary lighting	1	
2 STC3475	Escutcheon switch	1	
3 STC3482	Switch ventilator blower	1	Note(1)
4 STC3483	Switch light socket	1	
Heater controls			
5 STC3479	Rheostat heater	1	
6 STC3643	Sensor temperature	1	
Sockets electrical			
7 STC3480	Socket fixed 7 pin	1	
8 STC3489	Cap protection	1	
9 STC3481	Socket fixed 2 pin	1	
10 STC3490	Cap protection	1	
11 STC3471	Socket DIN 12V	1	
12 STC3472	Ring earth	1	
Circuit breakers			
13 STC3487	Circuit breaker 5A	1	
STC3486	Circuit breaker 10A	1	
STC3485	Circuit breaker 20A	1	
STC3484	Circuit breaker 30A	1	
14 STC3488	Bus bar	1	

Note(1) For tropical ambulance air-con controls - see page 225



Model DEFENDER XD ALL VARIANTS

Page YDMXEC4A

ELECTRICAL - POWER DISTRIBUTION PANEL - AMBULANCE

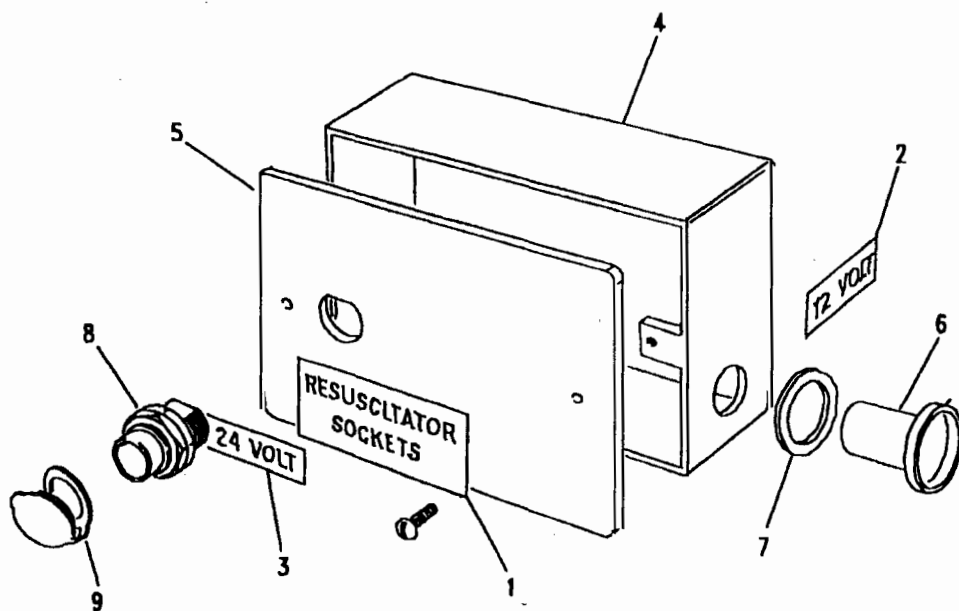
III. Part No.	Description	Qty	Remarks
Panel components			
15	STC3469	1	Label controls
16	STC2597	1	Terminal block assy A
17	STC2596	1	Terminal block assy B
18	IPC100010	1	DC/DC converter assy
19	STC3473	1	LED 12V
20	YRE100280	1	Resistor for LED
21	STC3476	1	Gland
22	STC3477	1	Nut locking
23	IPP100010	1	Label warning heater
	STC4130	1	Kit label heater

Note(1) Labels not available separately, use kit STC4130.

Model DEFENDER XD ALL VARIANTS
 Page YDMXEC5A

ELECTRICAL - RESUSCITATOR SOCKETS - AMBULANCE

III. Part No.	Description	Qty	Remarks							
Socket box assembly										
1	STC2546	1	Label sockets							
2	STC3491	1	Label 12 Volt							
3	STC3492	1	Label 24 Volt							
4	STC3462	1	Box							
5	STC3463	1	Cover							
6	STC3471	1	Socket DIN 12V							
7	1	Ring earth	8	STC3480	1	Socket fixed 7 pin	9	STC3489	1	Cap protection
8	STC3480	1	Socket fixed 7 pin							
9	STC3489	1	Cap protection							



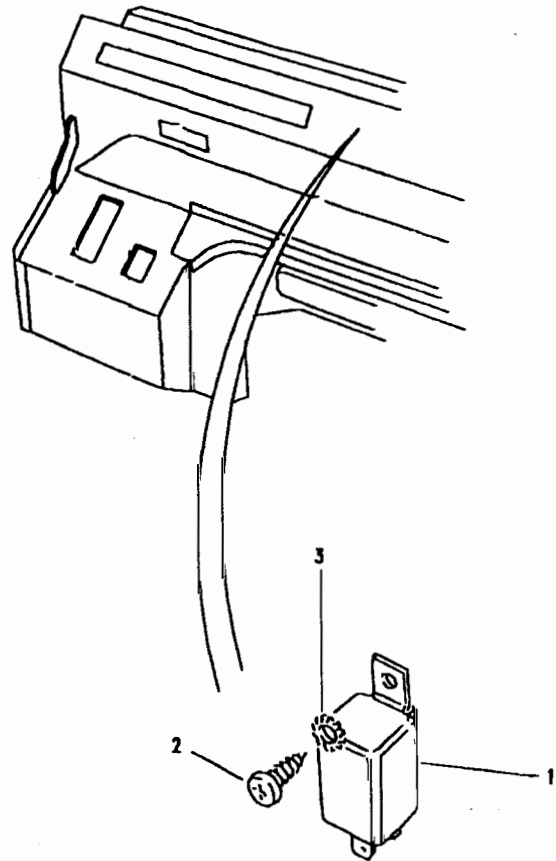


Model DEFENDER XD ALL VARIANTS
Page YDMXGA1A

ELECTRICAL - GLOW PLUG TIMER

III. Part No.	Description	Qty	Remarks
1 ERR4085	Timer glow plug 24V	1	Note(1)
2 AB612051L	Screw	1	
3 WE600041L	Washer shakeproof	1	

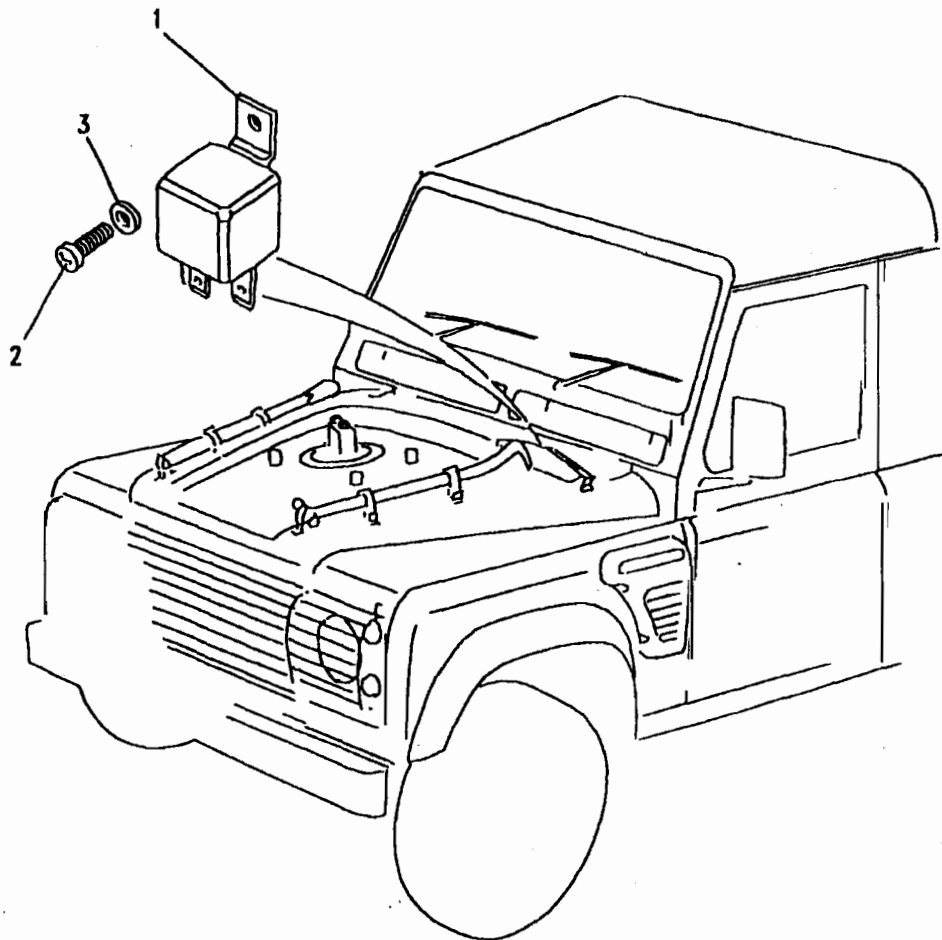
Note(1) Wiring to glow plug timer is part of main harness.



Model DEFENDER XD ALL VARIANTS
 Page YDMXGA2A

ELECTRICAL - RELAY FFR CHARGING

III. Part No.	Description	Qty	Remarks
1 RRC8600	Relay 70A	1	Waterproof
YWB101130	Relay 70A	1	
2 AB610061L	Screw	1	
3 WA105001L	Washer plain	1	

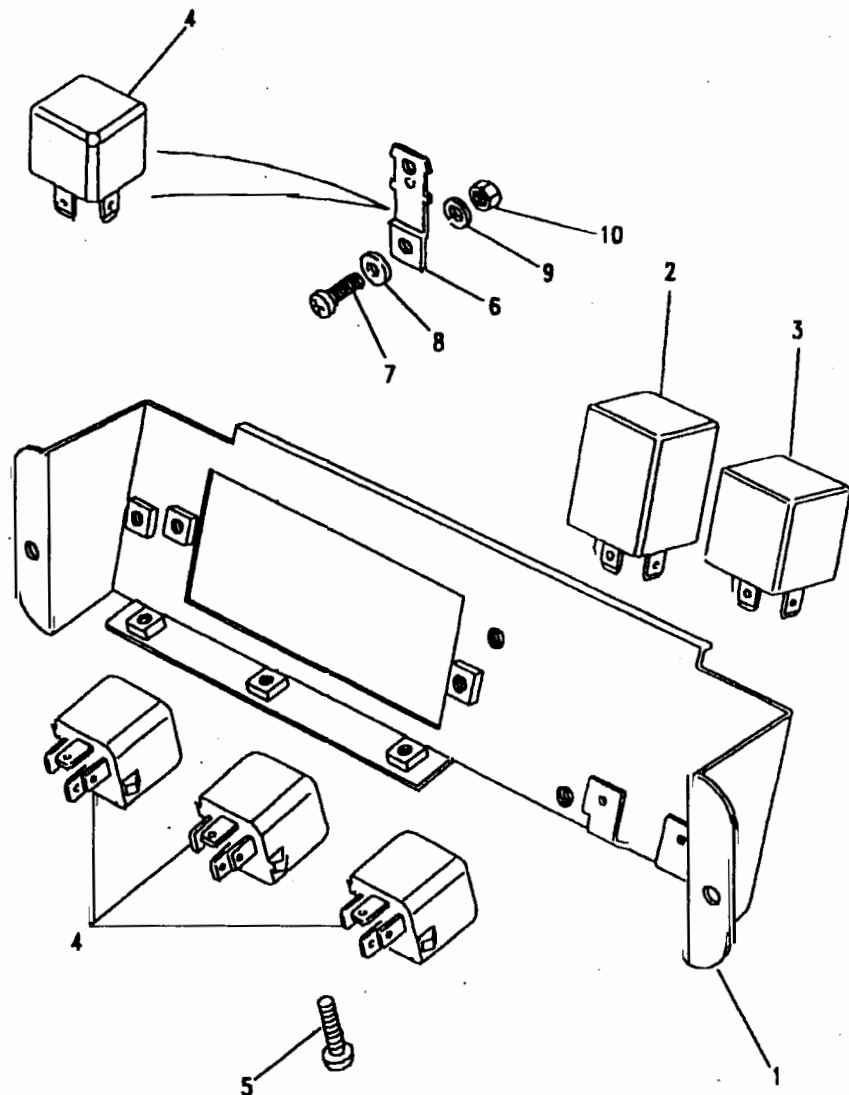


Model DEFENDER XD ALL VARIANTS
 Page YDMXGA3A

ELECTRICAL - RELAYS, FLASHER UNIT & WASH/WIPE DELAY UNIT

III. Part No.	Description	Qty	Remarks
1	Bracket fuse box & relay	1	Note(1&2)
2	PRC8877 Flasher unit	1	
3	PRC7386 Delay unit wiper	1	
4	PRC9671 Relay change over 24V	4	
	PRC9671 Relay change over 24V	6	Winterised
	PRC9671 Relay change over 24V	5	Tropical ambulance
5	SE105121L Screw M5	3	
6	DRC1245 Bracket relay	1	Note(3)
7	SE105121L Screw M5	1)
8	WJ105001L Washer plain M5	1)
9	WL105001L Washer spring M5	1)
10	NH105041L Nut M5	1)

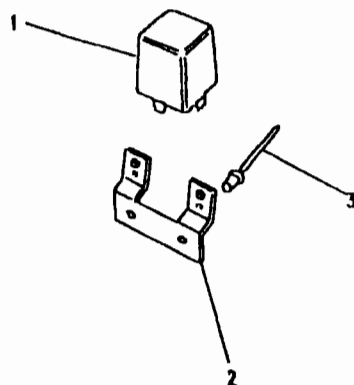
Note(1) For fuse box & relay bracket see page 253
 Note(2) For waterproof centre console see page 278 - 280
 Note(3) Not fitted to waterproof variants - see note(2)



Model DEFENDER XD ALL VARIANTS
Page YDMXGA4A

ELECTRICAL - RELAYS - SIREN & BEACONS - AMBULANCE

III. Part No.	Description	Qty	Remarks
Auxillary relays for siren and rotating beacons			
1	PRC9671	2	Relay change over 24V
2	PRC4795	1	Bracket relay mounting
3	RA610183	2	Rivet

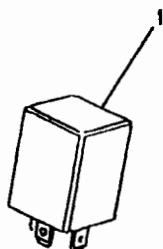




Model DEFENDER XD ALL VARIANTS
Page YDMXGA5A

ELECTRICAL - RUN ENGINE WARNING UNIT & BUZZER - AMBULANCE

Ill. Part No.	Description	Qty	Remarks
1	AMR3306 Run engine device 24V	1	
2	PRC4890 Buzzer warning	1	Low battery voltage



Model DEFENDER XD ALL VARIANTS

Page YDMXGC1A

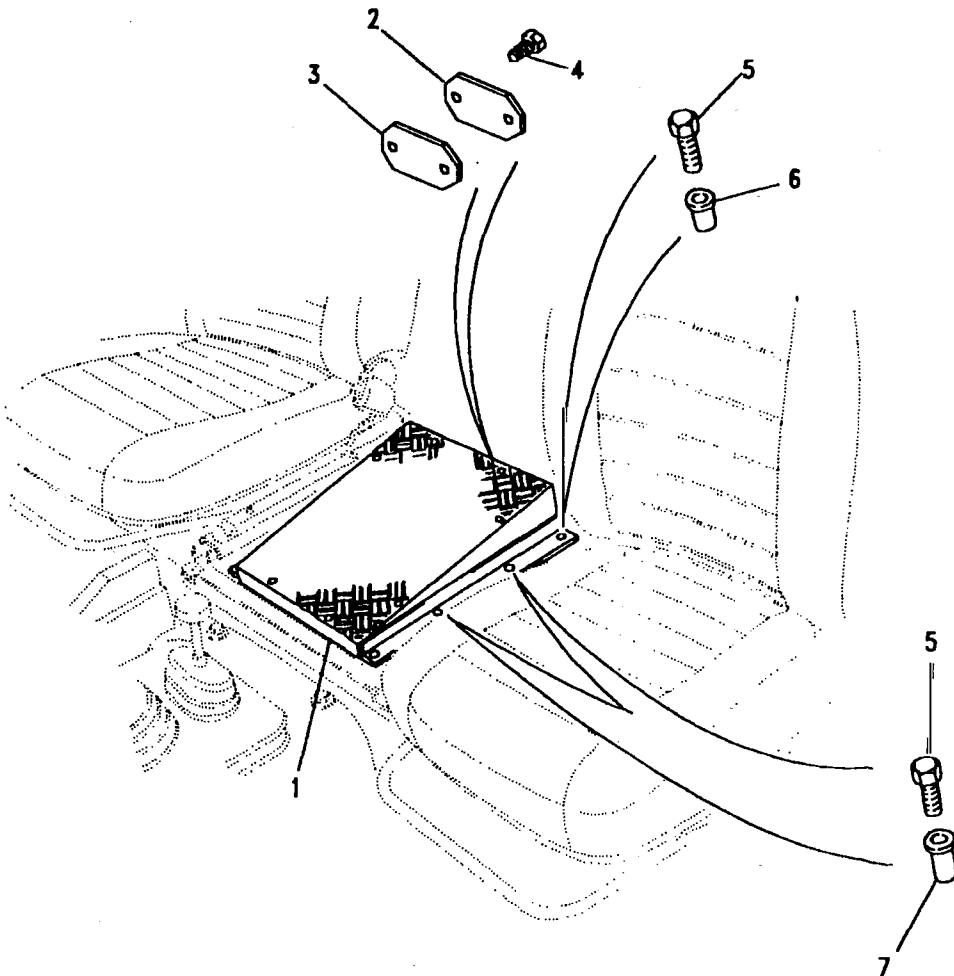
ELECTRICAL - ECU - EXHAUST GAS RECIRCULATION

III. Part No. Description Qty Remarks

ECU for Electronic Exhaust Gas Recirculation - engine prefix 25L

1	RRC8775	ECU box assembly EGR	1	
	MVD100000	ECU box assembly EGR	1	Waterproof
2	RRC8781	Cover diagnostic plug	1	
3	RRC8799	Gasket cover	1	
4	FS106161L	Screw M6 x 16	2	
5	FS108207L	Screw M8 x 20	8	
6	AWR4731	Nutsert M8	4	Long
7	RRC8666	Nutsert M8	4	Short

Note(1) For EGR valve and modulator see page 41

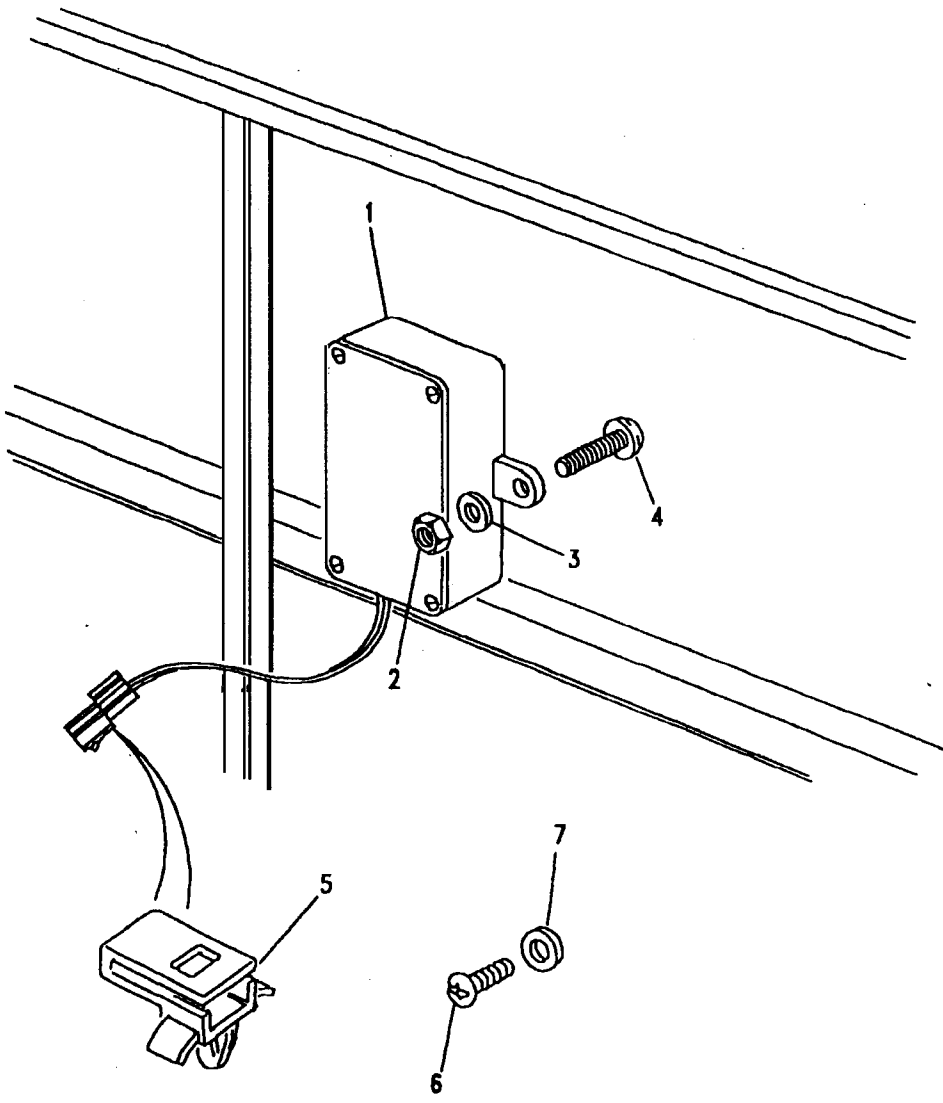


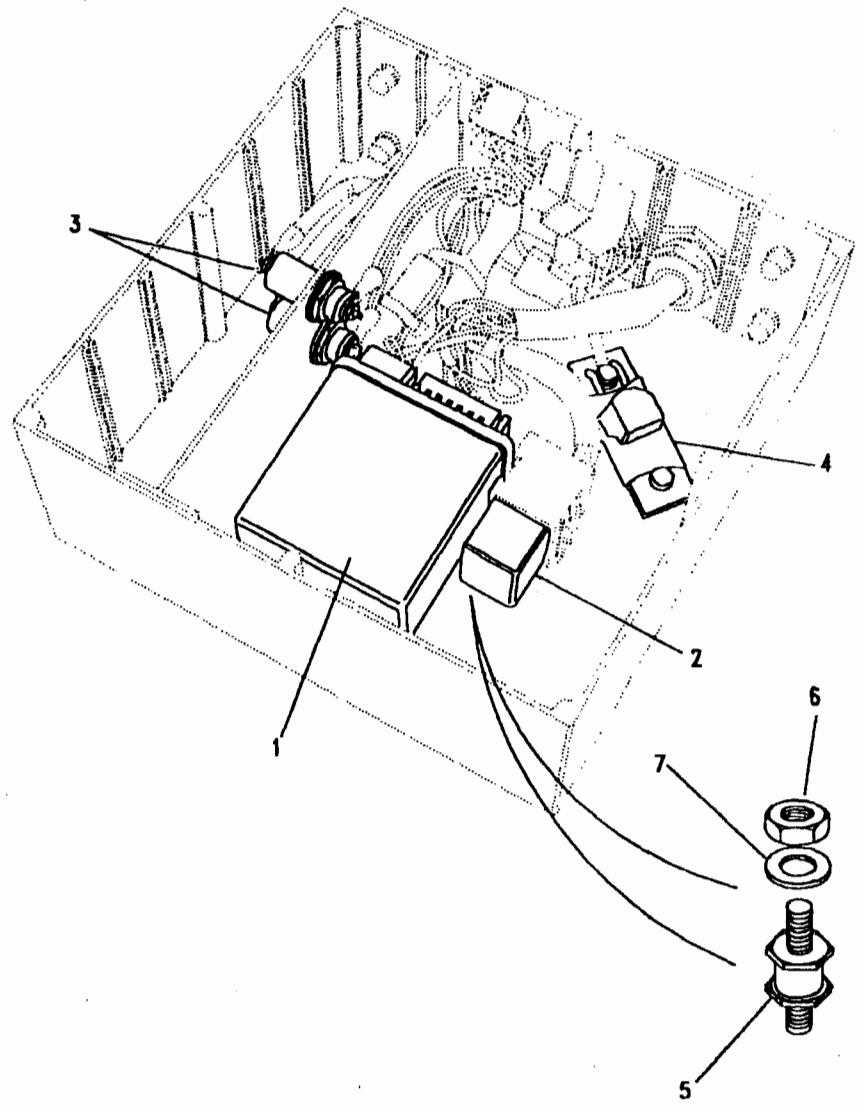


Model DEFENDER XD ALL VARIANTS
Page YDMXGC2A

ELECTRICAL - ECU - FFR CHARGING

III. Part No.	Description	Qty	Remarks
1 RRC8643	ECU twin alternator	1	
2 NY105041L	Nut nyloc M5	2)Fixing ECU
3 WA105001L	Washer plain M5	2)
4 SE105201L	Screw pan hd M5 x 20	2)
5 YYC10030L	Clip	1)Fixing connector
6 SE105161L	Screw pan hd M5 x 16	1)
7 WA105001L	Washer plain M5	1)





Model DEFENDER XD ALL VARIANTS
Page YDMXGC3A

ELECTRICAL - ECU - HEATER CONTROL - AMBULANCE

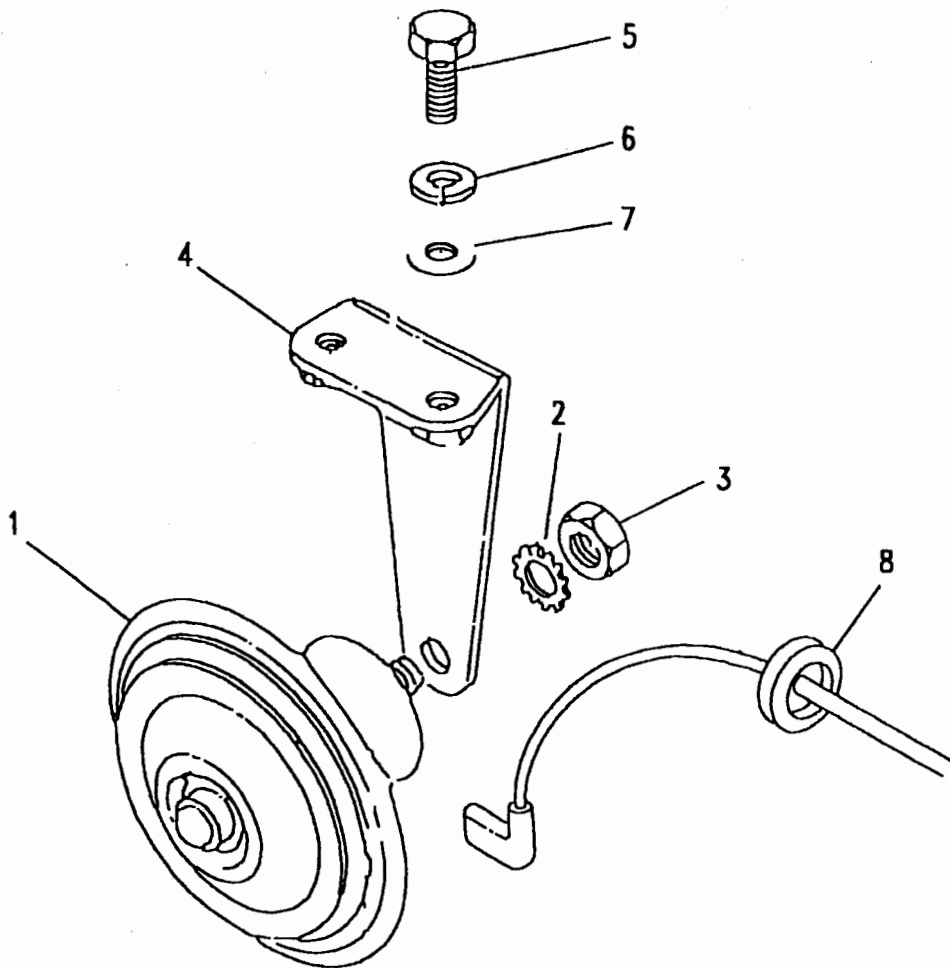
III. Part No.	Description	Qty	Remarks
Control units & suppression - ambulance body heater			
1 STC3705	ECU heater control	1	
2 STC3706	Relay heater glow plug	1	
3 STC3707	Capacitor through type	2	
4 STC3708	Suppressor assembly	1	
Fixings - ECU			
5 STC4142	Mounting rubber	2	
6 NH106041L	Nut M6	2	
7 WL106001L	Washer spring M6	2	



Model DEFENDER XD ALL VARIANTS
 Page YDMXGE1A

ELECTRICAL - HORN

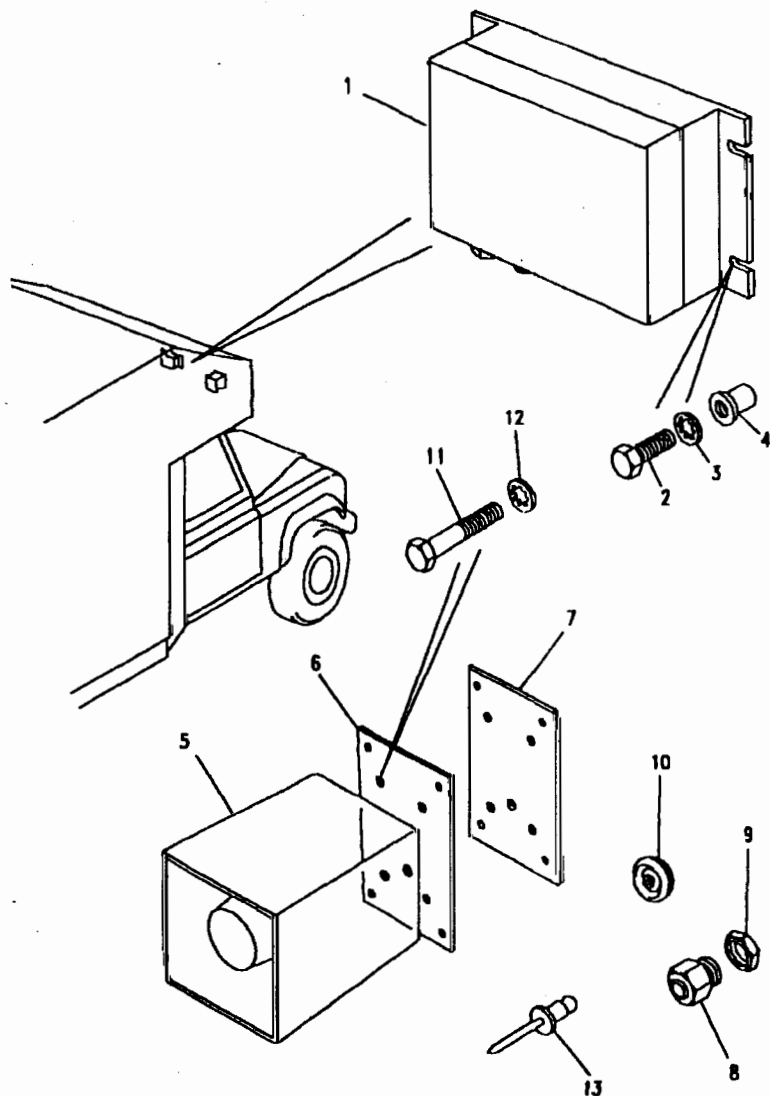
III. Part No.	Description	Qty	Remarks
1	PRC4411	1	Up to VA116544
	RRC8800	1	From VA116545
	YEB101250	1	Waterproof
2	WE108001L	1	Washer shakeproof M8
3	NT108041L	1	Nut half M8
4	AMR2393	1	Bracket horn mounting
5	FS106257L	2	Screw M6 x 25
6	WL106001L	2	Washer spring M6
7	WA106041L	2	Washer plain M6
8	235113	1	Grommet



Model DEFENDER XD ALL VARIANTS

Page YDMXGE2A

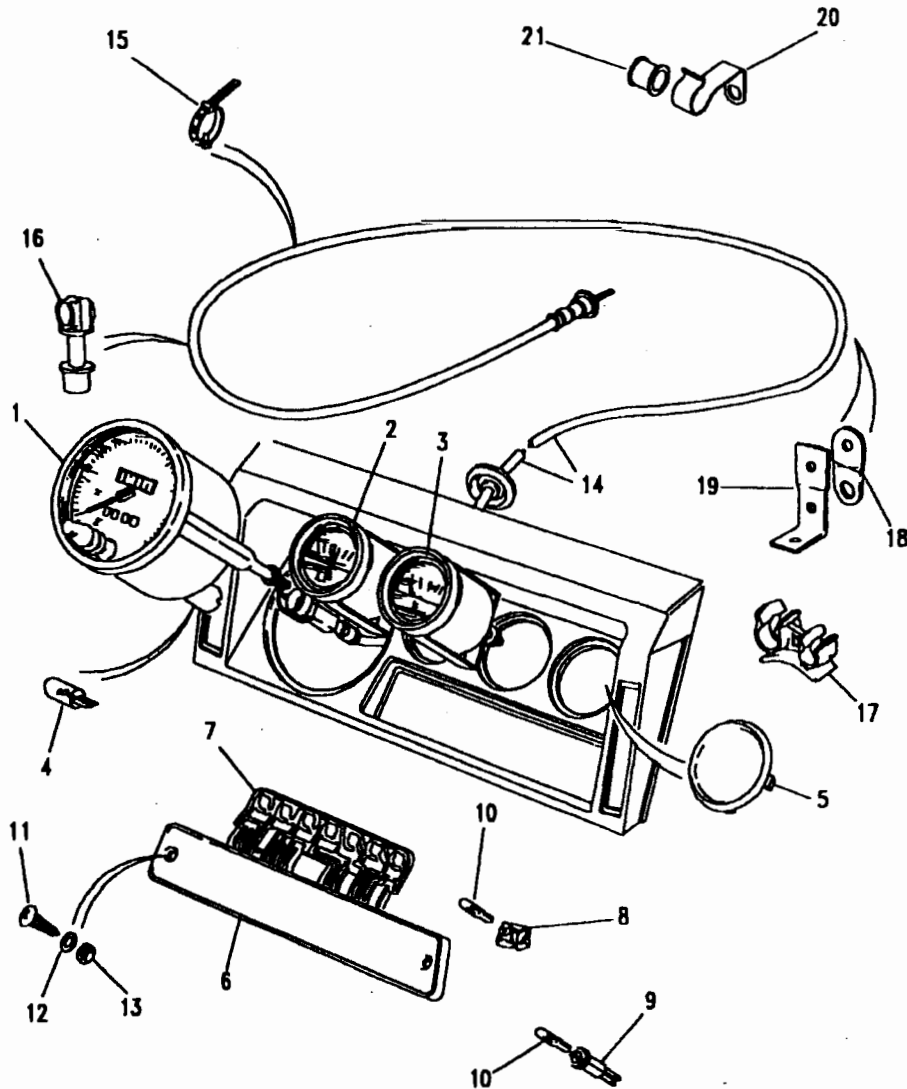
ELECTRICAL - HORN - TWO-TONE SIREN - AMBULANCE



Ill. Part No.	Description	Qty	Remarks
1	STC3669	1	Amplifier siren 24V
2	FS106167L	4	Screw M6 x 16
3	NN106021	4	Nutsert M6
4	STC2424	4	Washer shakeproof M6
5	STC3670	1	Speaker siren 24V
6	STC4246	1	Plate mounting outer
7	STC4245	1	Plate mounting inner
8	STC3476	1	Gland
9	STC3477	1	Nut locking
10	STC4247	1	Grommet cable
11	BH505161L	4	Bolt 5/16 UNC x 2"
12	STC2425	4	Washer shakeproof 5/16"
13	STC2704	8	Rivet dome hd 4.8mm

Adhesive & sealant

STC2427	Sealant Sikaflex 221	A/R Black 310ml
STC2505	Screwlock Loctite 222	A/R 50ml



Model DEFENDER XD ALL VARIANTS
Page YDMXIA1A

ELECTRICAL - INSTRUMENTS

Ill. Part No.	Description	Qty	Remarks
Instruments			
1	PRC7375	1	Speedometer 200km/h
2	PRC7314	1	Gauge fuel
3	AMR2632	1	Gauge water temperature
4	AMR3340	4	Bulb 24V 2W
5	MRC8225	1	Plug blanking
Warning light module			
6	AMR5149	1	Module warning light
7	AEU2721	1	Printed circuit
8	RTC3878	13	Bulb holder
9	STC3086	5	Bulb holder
10	PRC2268	18	Bulb 24V 1.2W
11	SG104165	2	Screw module fixing
12	WE104001L	2	Washer shakeproof M4
13	NH104041L	2	Nut M4

Note(1)
 Note(2)
 Note(3)

Illumination bulbs - 2x for speedometer, 1x for each gauge.
 Warning light shield - NSP - MOD direct supply only.
 For instrument cowl see page 449

Model DEFENDER XD ALL VARIANTS

Page YDMXIA1A

ELECTRICAL - INSTRUMENTS

III. Part No. Description Qty Remarks

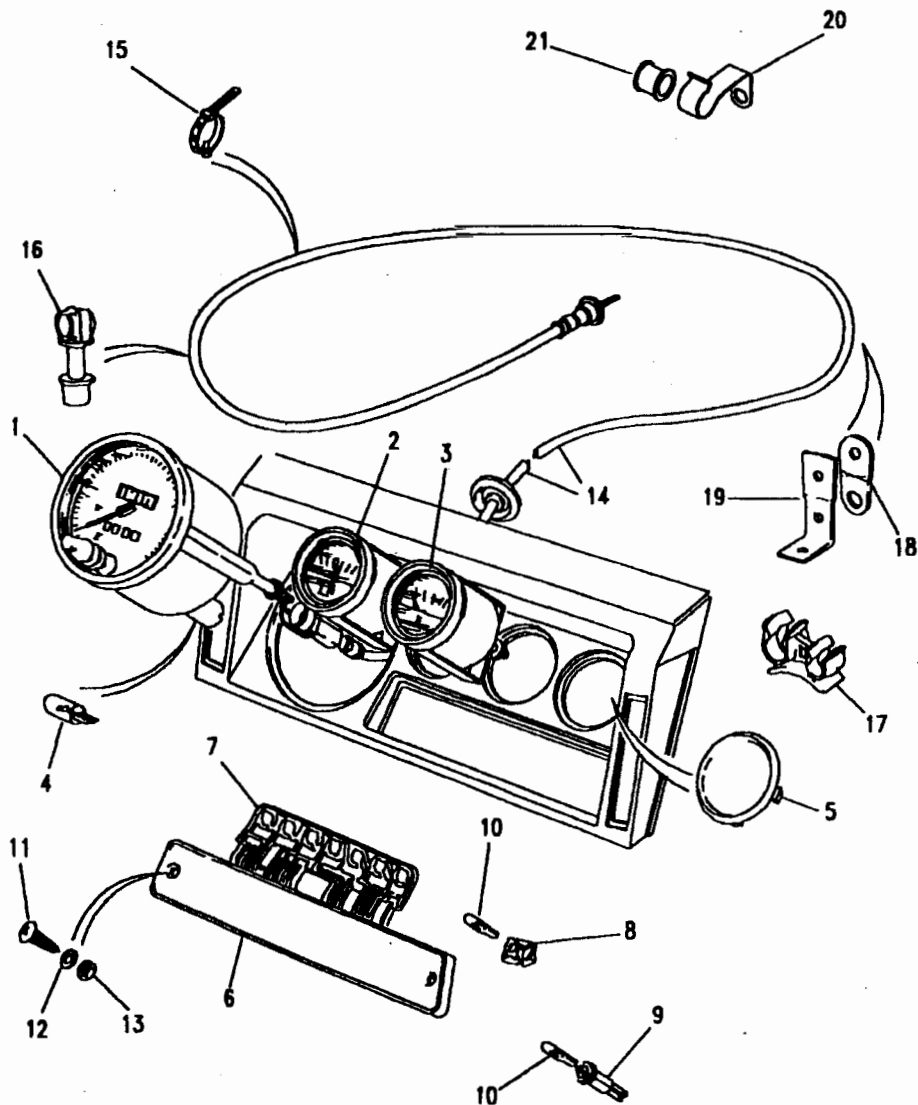
Speedometer cable - RH Stg

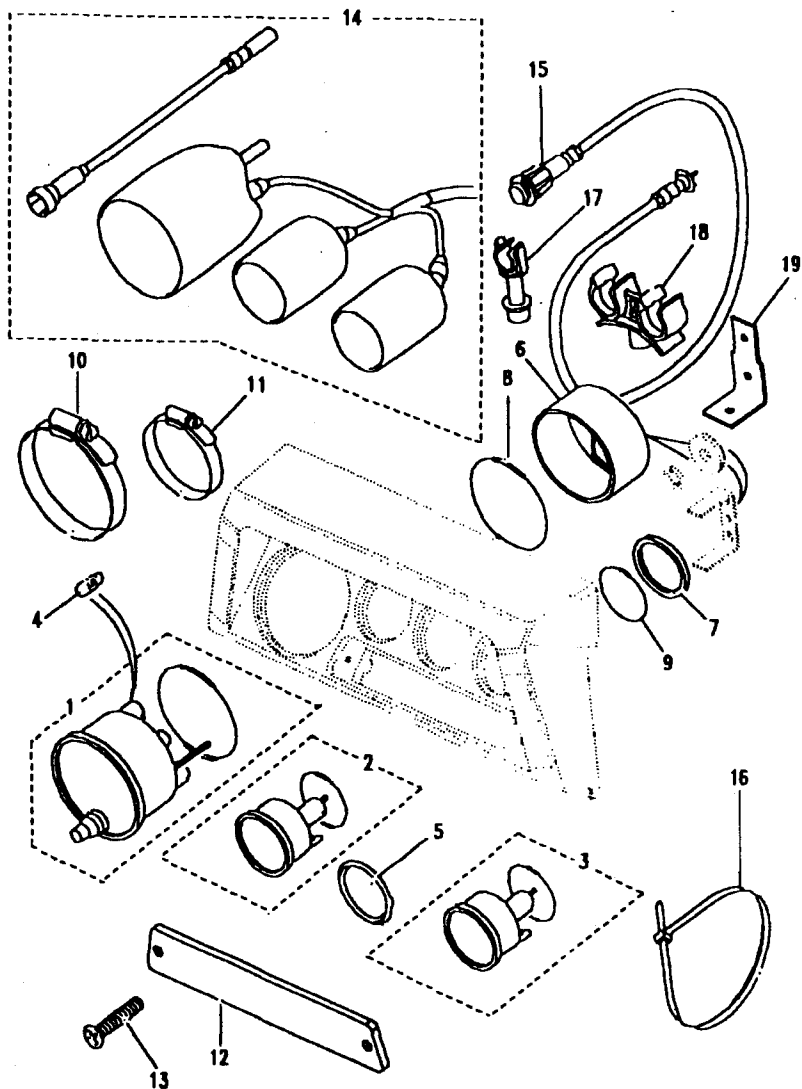
14	PRC6022	Cable speedometer	1
15	AAU3686	Cable tie	1
16	79121	Clip cable	2
18	PRC2979	Bracket support	1
19	PRC2980	Bracket support	1

Speedometer cable - LH Stg

14	PRC6021	Cable speedometer	1
15	AAU3686	Cable tie	1
17	PRC3025	Clip cable double	2
20	NRC9338	Clip	1
21	589254	Grommet	1

Note(1) For transfer box cable clip & bracket see page 78 - 79





Model DEFENDER XD ALL VARIANTS
Page YDMXIA1B

ELECTRICAL - INSTRUMENTS - WATERPROOF

iii. Part No.	Description	Qty	Remarks
Instruments - waterproof			
1	PRC7375	1	Speedometer 200km/h
	IYX100020	1	O ring speedometer
2	PRC7314	1	Gauge fuel
	IYX100010	1	O ring gauge
3	AMR2632	1	Gauge water temperature
	IYX100010	1	O ring gauge
4	AMR3340	4	Bulb 24V 2W
5	MRC8225	1	Plug blanking
6	YAV100000	1	Tube assy speedometer
7	YAY100030	2	Ring gauge clamp
8	IYX100020	1	O ring speedometer
9	IYX100010	2	O ring gauge
10	CN101108L	1	Clip worm drive 90-110mm
11	CN100708L	2	Clip worm drive 50-70mm
12	FCZ100050	1	Panel blanking
13	SE105165L	2	Screw M5 x 16
14	STC4314	1	Harness instrument
Speedometer cable - lower			
15	YBD101710	1	Cable speedometer lower
16	AAU3686	3	Cable tie
17	79121	2	Clip cable
18	PRC3025	2	Clip cable double
19	PRC2980	1	Bracket support

Note(1) Illumination bulbs - 2x for speedometer, 1x for each gauge.
Note(2) For warning light module see page 278 - 280
Note(3) Includes upper speedometer cable.

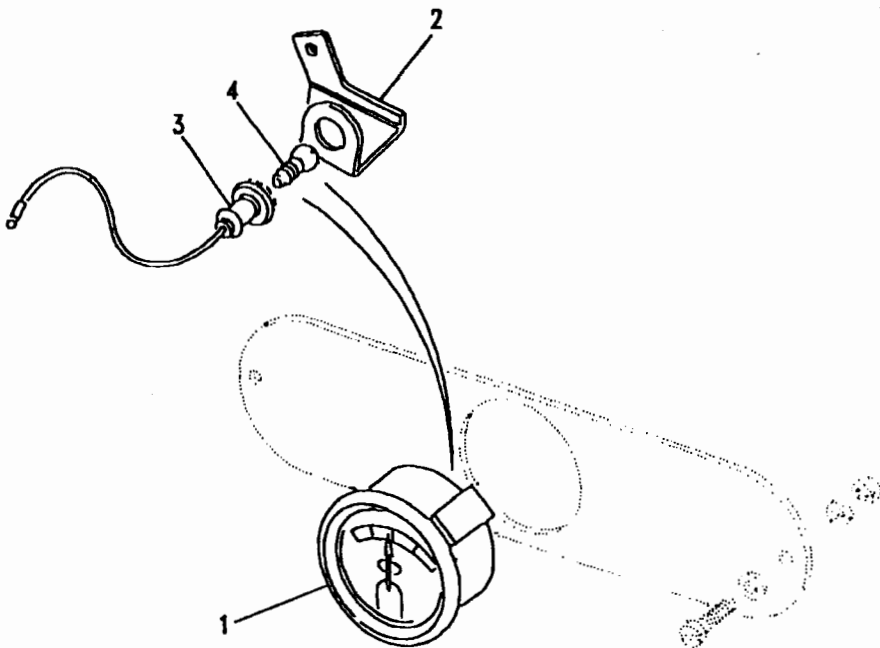
Model DEFENDER XD ALL VARIANTS

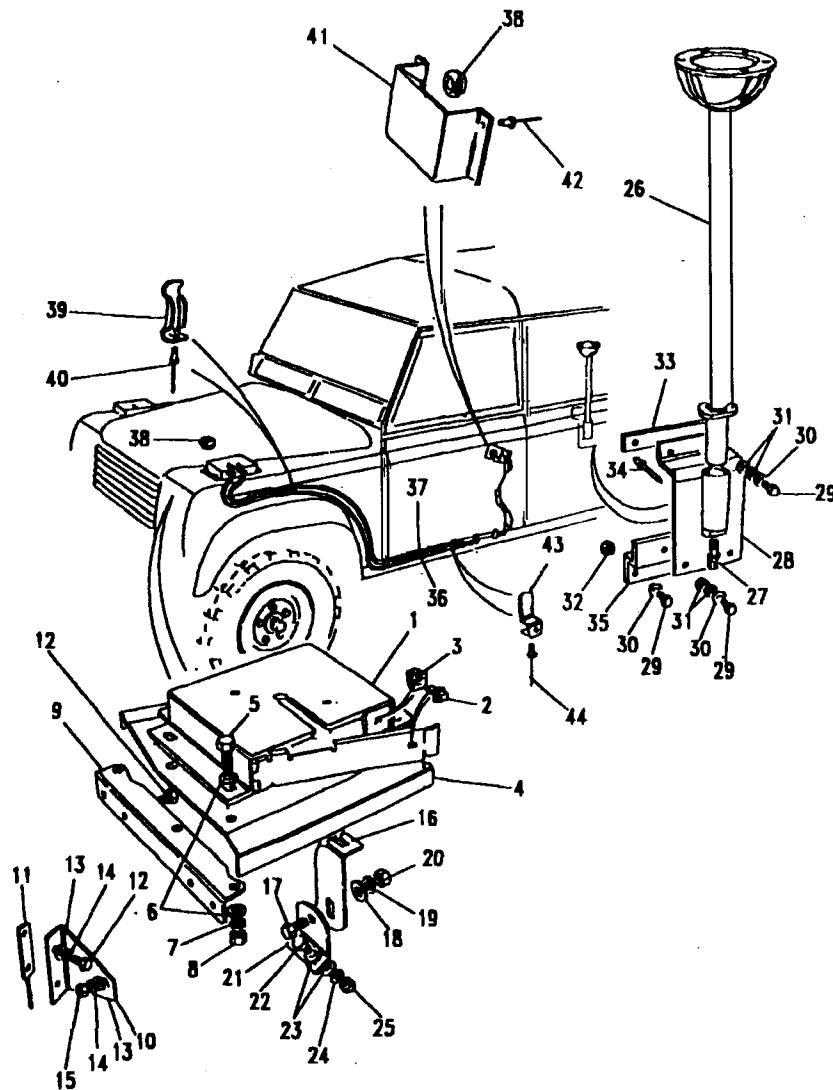
Page YDMXIA2A

ELECTRICAL - INSTRUMENTS - AMMETER

Ill. Part No.	Description	Qty	Remarks
FFR - ammeter			
1	PRC5485 YHE100000	1	Ammeter (100-0-100)
2	579114	1	Ammeter (100-0-100) Waterproof
3	PRC5590 STC4362	1	Bracket ammeter illum.
4	500918 STC4363	1	Cable assy ammeter illum.
		1	Bulbholder illumination Waterproof
		1	Bulb ammeter illumination
		1	Bulb ammeter illumination Waterproof

Note(1) For ammeter mounting panel see page 451 - 452



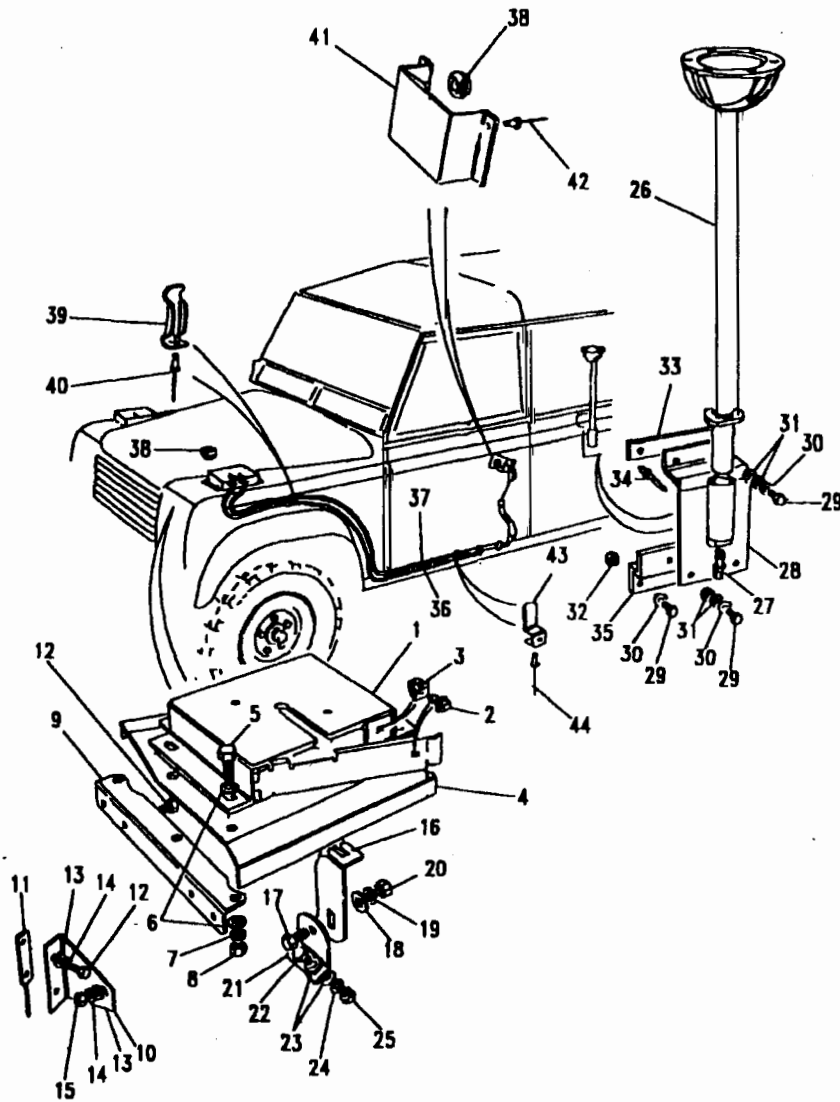


Model DEFENDER XD ALL VARIANTS
Page YDMXKA1A

ELECTRICAL - RADIO - ANTENNA MOUNTINGS & LEADS

III. Part No.	Description	Qty	Remarks
FFR - VHF TUAAM mountings - note(1)			
1	RRC8360	1	Bracket mounting TUAAM RH
	RRC8359	1	Bracket mounting TUAAM LH
2	RRC8353	2	Catch male
3	AGU1023	2	Catch female
4	RRC8531	1	Reinforcement plate RH
	RRC3741	1	Reinforcement plate LH
5	SH108201L	12	Screw M8 x 20
6	WC108051L	40	Washer plain M8
7	WL108001L	12	Washer spring M8
8	NH108041L	12	Nut M8
9	RRC3763	2	Support angle bracket
10	ASR1116	1	Plate support gusset RH
	ASR1117	1	Plate support gusset LH
11	ALR9157	2	Nut plate
12	SH106121L	12	Bolt M6
13	WA106041L	12	Washer plain M6
14	WL106001L	12	Washer spring M6
15	NH106041L	10	Nut M6
16	RRC7152	2	Bracket support RH/LH
	RRC7152	1	Bracket support RH
	ASU710080	1	Bracket support LH
17	SH108201L	1	Screw M8 x 20
18	WC108051L	4	Washer plain M8
19	WL108001L	2	Washer spring M8
20	NH108041L	2	Nut M8
21	RRC3767	2	Bracket support RH/LH
	RRC3767	1	Bracket support RH
	AWR6683	1	Bracket support LH
22	SH106161L	2	Bolt M6
23	WA106041L	4	Washer plain M6
24	WL106001L	2	Washer spring M6
25	NH106041L	2	Nut M6

Note(1) GS vehicles - standard fit.



Model DEFENDER XD ALL VARIANTS
Page YDMXKA1A

ELECTRICAL - RADIO - ANTENNA MOUNTINGS & LEADS

Ill. Part No.	Description	Qty	Remarks
FFR - HF antenna mountings			
26	MRC8491	Column antenna support	2
27	RRC7870	Pin securing	2
28	MTC3063	Bracket antenna support	2
29	SH106251L	Bolt M6	12)Note(1)
30	WC106041L	Washer plain M6	12)
31	MXC8304	Washer fibre	16)
32	NY106047L	Nut nyloc M6	4)
33	MRC9423	Nut plate upper	2)
34	RU612123	Rivet pop	4)
35	MTC4049	Nut plate lower	2)
FFR - antenna leads & stowage box			
36	PRC1824	Lead TUAAM control	2
	IQG100020	Lead TUAAM control	2 Waterproof
37	PRC1825	Lead radio antenna	2
	IQG100010	Lead radio antenna	2 Waterproof
38	555711	Grommet antenna lead	8
	338023	Plug blanking	4 Note(2)
39	AFU1190	Clip antenna lead	4
40	RU608183L	Rivet pop	16
41	MRC4522	Box stowage	2)Note(1)
42	78248	Rivet pop	8)
43	MRC9043	Clip antenna lead	12
44	RU608183L	Rivet pop	24

Note(1) GS vehicles - standard fit.
 Note(2) GS vehicles - for redundant holes in bulkhead.

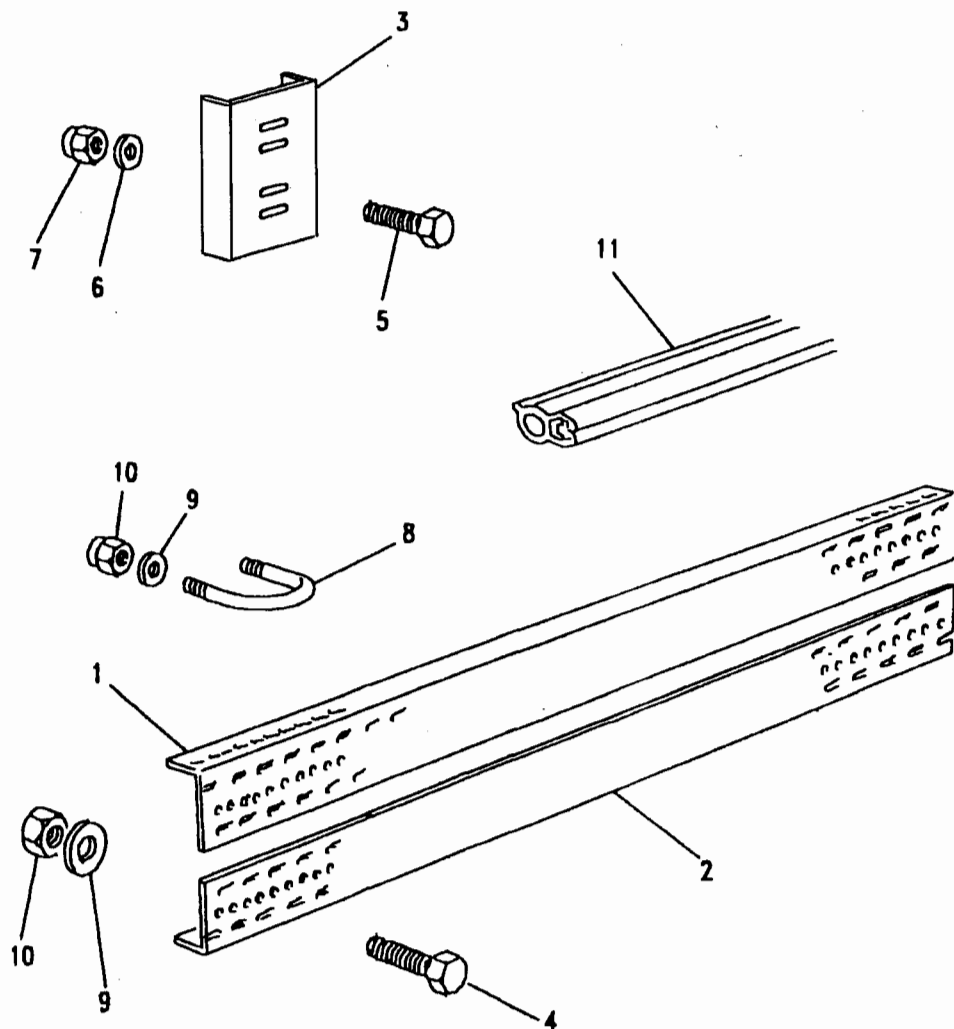
Model DEFENDER XD ALL VARIANTS
Page YDMXKA2B

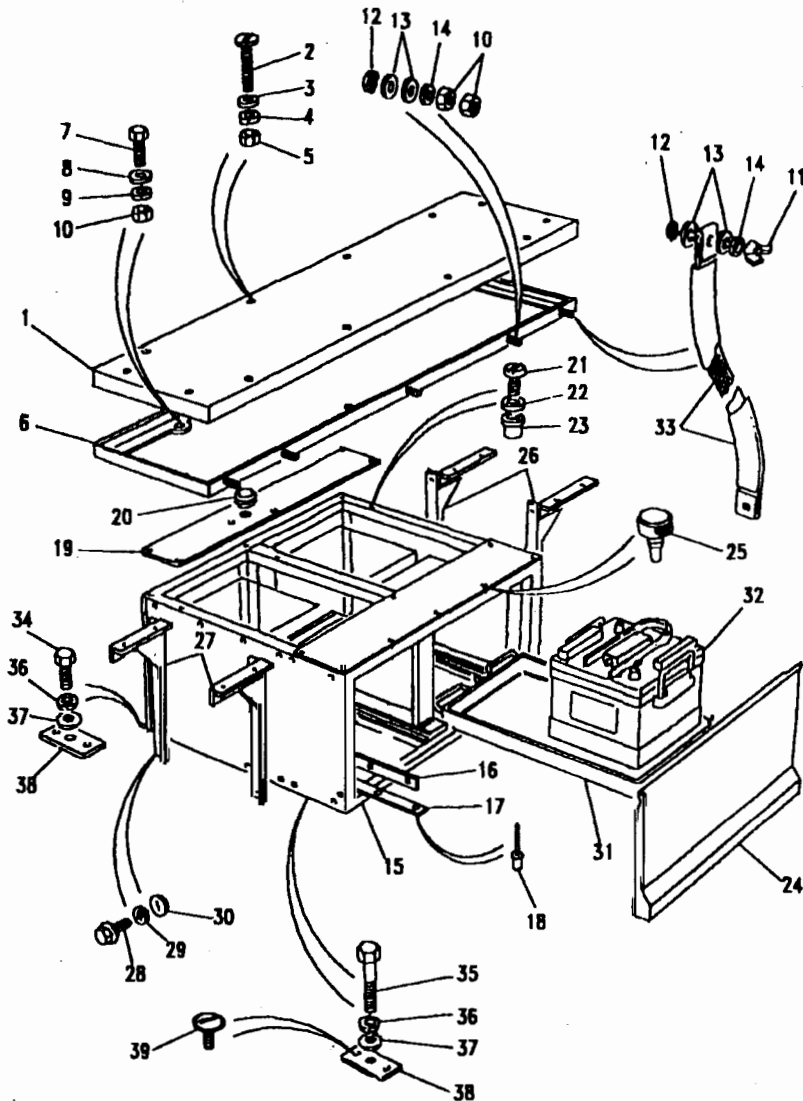
ELECTRICAL - RADIO - SUPPORT RACKING

III. Part No. Description Qty Remarks

FFR - radio support rack & installation components

1	RRC8225	Rack equipment upper	1
2	RRC8226	Rack equipment lower	1
3	396112	Channel equipment rack	1
4	SH108251L	Screw M8 x 25	8
5	FS106207L	Screw M6 x 20	6
6	MRC5525	Washer plain	12
7	NY106047L	Nut nyloc M6	6
8	RRC8421	U bolt	2
9	WA108051L	Washer plain M8	20
10	NY108041L	Nut nyloc M8	12
11	MWC2567	Edge protection strip	A/R





Model DEFENDER XD ALL VARIANTS

Page YDMXKA2C

ELECTRICAL - RADIO - TABLE & BATTERY BOX

III. Part No. Description Qty Remarks

FFR - radio table and battery storage box assembly

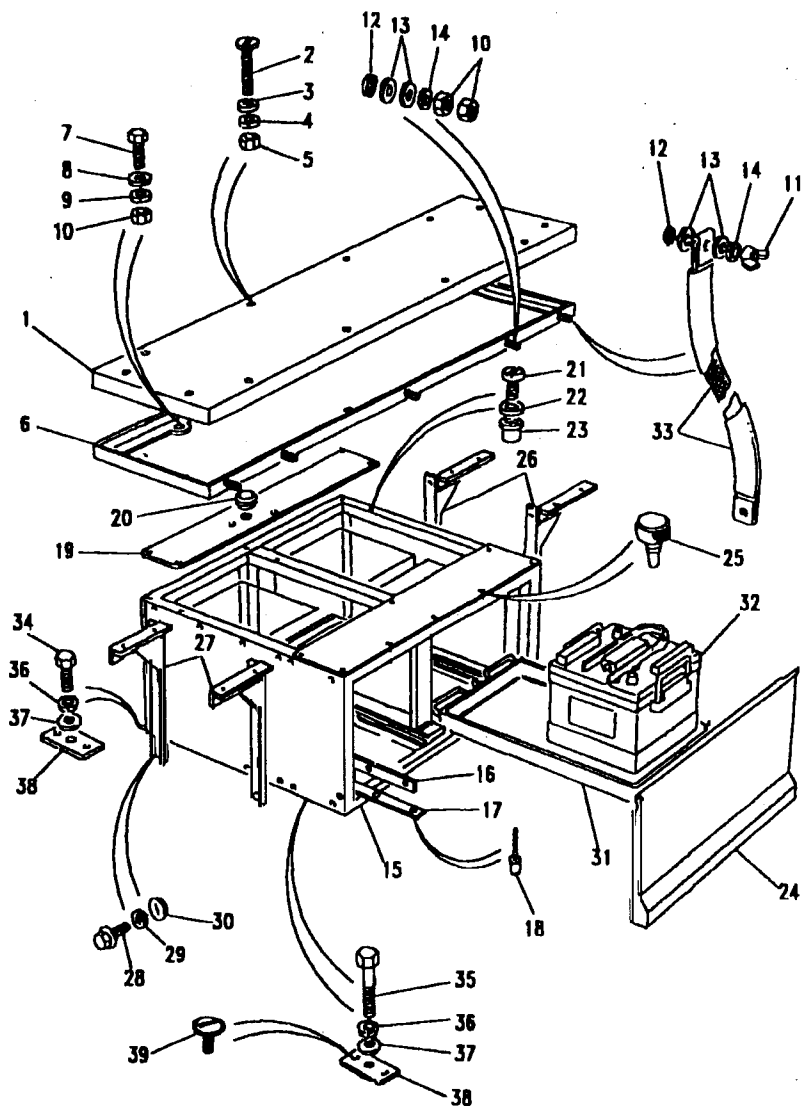
	RRC8696	Table radio & battery box	1	
	IPG100000	Table radio & battery box	1	Waterproof
1	MRC5854	Board table top	1	
2	SP105301L	Screw M5x30	8	
	SP105351L	Screw M5x35	4	
3	WC105001L	Washer plain M5	12	
4	WL105001L	Washer spring M5	12	
5	NH105041L	Nut M5	12	
6	RRC2662	Frame assy radio table	1	
7	SH106451	Screw M6x45	6	
8	WC106041L	Washer plain M6	6	
9	WL106001L	Washer spring M6	6	
10	NH106041L	Nut M6	8	
11	NA106011	Nut wing M6	4	
12	WE106001	Washer shakeproof M6	5	
13	WJ106001L	Washer plain M6	10	
14	WL106001L	Washer spring M6	5	
15	RRC8699	Box radio battery	1	
16	RRC2187	Strip anti-friction	2	
17	RRC1986	Strip anti-friction	6	
18	RA612183	Rivet	48	
19	RRC8695	Panel closing top rear	1	
20	269257	Grommet	1	
21	SP105121	Screw M5x12	6	
22	WC105001L	Washer plain M5	6	
23	NN105021	Nutsert M5	6	
24	RRC2615	Door battery box	1	
25	RRC2742	Locking screw	2	
26	RRC3690	Bracket table support RH	2	
27	RRC3691	Bracket table support LH	2	

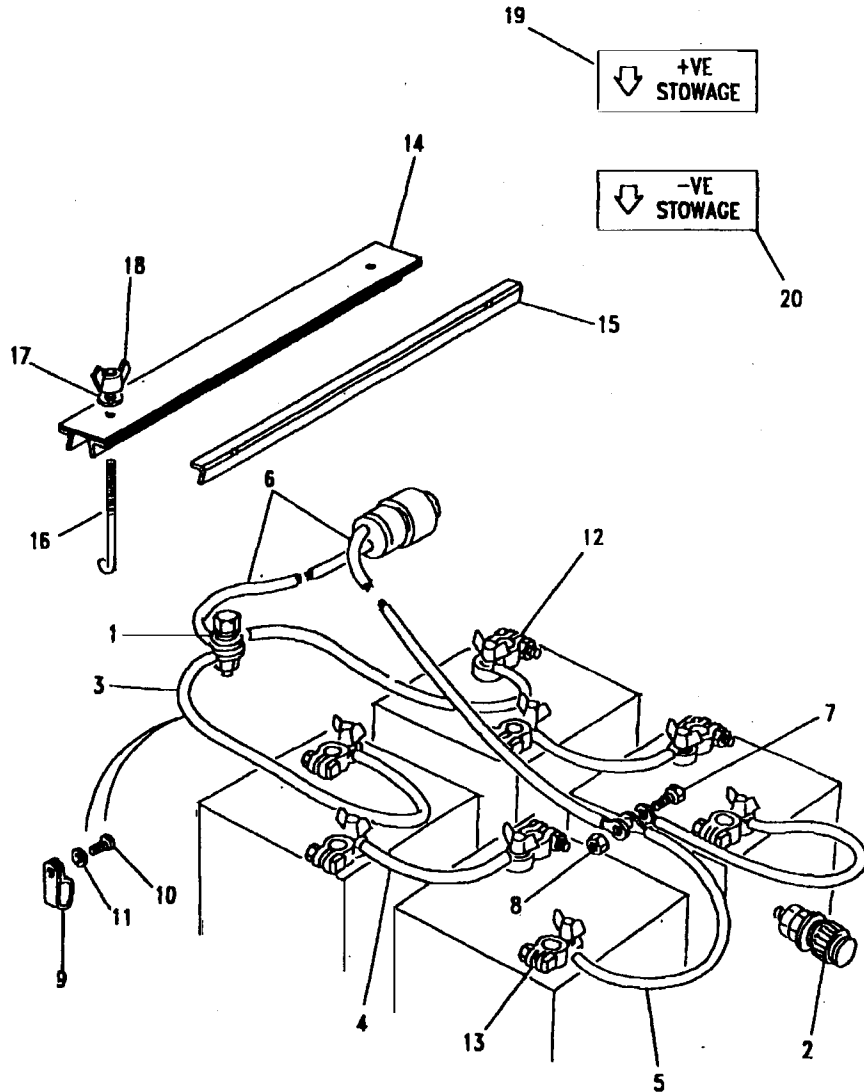
Model DEFENDER XD ALL VARIANTS
Page YDMXKA2C

ELECTRICAL - RADIO - TABLE & BATTERY BOX

Ill. Part No.	Description	Qty	Remarks
28	FS106207L Screw M6x20	8	
29	WL106001L Washer spring M6	8	
30	WJ106001L Washer plain M6	8	
31	RRC8689 Tray battery	2	
	YJC100970 Tray battery	2	Waterproof
FFR - radio batteries and radio table fixings			
32	MRC8499 Battery radio - UK6TN	4	Note(1)
33	BH108181L Lead bonding radio table	2	
34	BH108251L Bolt front fixing M8x18	2	
35	WL108001L Bolt rear fixing M8x25	2	
36	WA108051L Washer spring M8	4	
37	RRC2128 Washer plain M8	4	
38	SE108201L Nut plate	2	
39		4	Note(2)

Note(1) Radio battery - NSP - MOD direct supply only.
 Note(2) GS vehicles - blanking screws for radio table fixing holes.

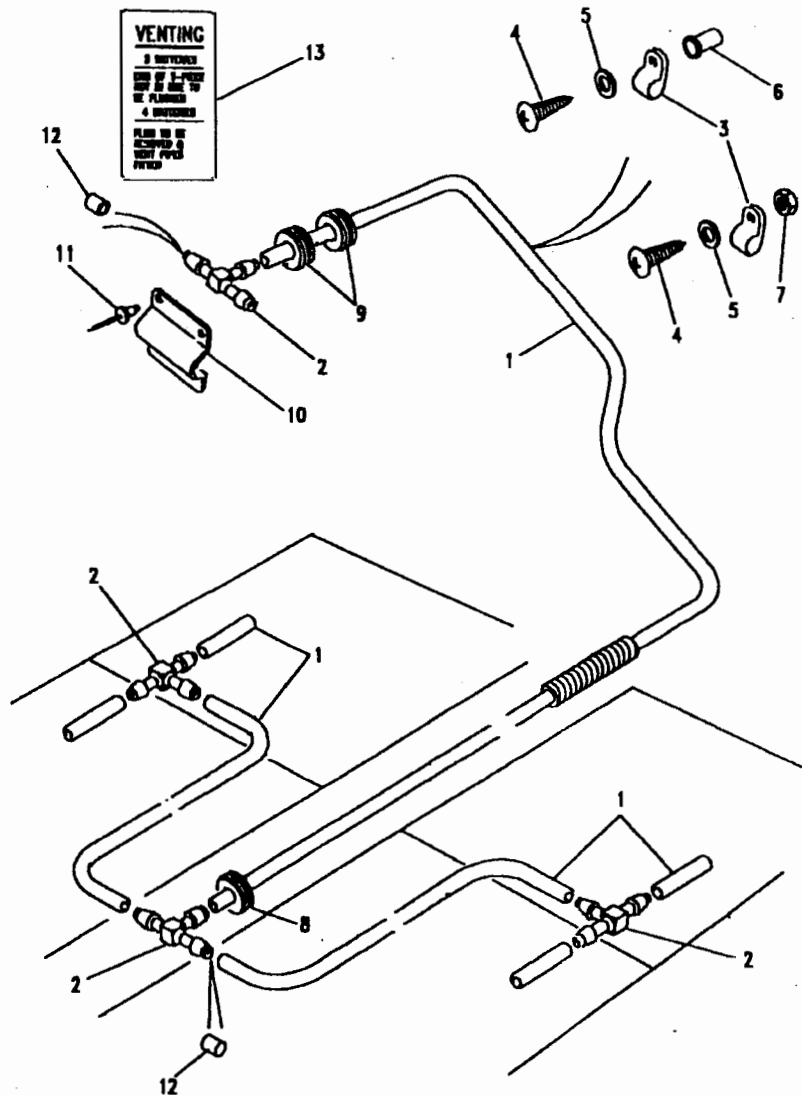




Model DEFENDER XD ALL VARIANTS
Page YDMXKA2D

ELECTRICAL - RADIO - BATTERY LEADS & FIXINGS

III. Part No.	Description	Qty	Remarks
FFR - battery leads & fixings - supplied with stowage box assembly			
1	STC3851	1	Terminal post positive
2	PRC3460	1	Terminal post stowage
3	RRC5344	2	Lead battery positive
4	552770	2	Lead battery interlink
5	RRC5343	2	Lead battery negative
6	RRC5348	1	Cable terminal box link
7	SH106401	1	Screw M6x40
8	NY106047L	1	Nut nyloc M6
9	3409	8	Clip P double
10	AB608047L	8	Screw
11	WC104001L	8	Washer plain M4
12	531587	4	Lug battery positive
13	531588	4	Lug battery negative
14	RRC8687	2	Clamp battery centre
15	RRC8686	4	Clamp battery outer
16	RRC2258	12	J bolt battery retaining
17	WA106041L	12	Washer plain M6
18	NA106011	12	Nut wing M6
Labels - cable stowage			
19	RRC2298	1	Label positive stowage
20	RRC5347	2	Label negative stowage



Model DEFENDER XD ALL VARIANTS
Page YDMXKA2E

ELECTRICAL - RADIO - BATTERY VENTILATION

III. Part No.	Description	Qty	Remarks
FFR - battery ventilation			
1	RRC4960	1	Tube battery venting
2	RRC8266	4	Tee piece
3	CP105081L	2	Clip tube to bulkhead
4	SE105201L	2	Screw M5x20
5	WA105001L	2	Washer plain M5
6	NN105011	1	Rivnut M5
7	NY105041L	1	Nut nyloc M5
8	RRC4965	1	Grommet
9	RRC5074	2	Grommet
10	RRC8459	1	Cover plate batt breather
11	78248	3	Rivet pop
	RRC4582	3	Rivet pop
12	RRC5110	A/R	Cap battery breather
Label - instruction battery venting			
13	RRC4966	1	Label battery venting

Note(1) Required if cover plate is not fitted.
 Note(2) To be fitted as per instruction label or special instructions only.

Model DEFENDER XD ALL VARIANTS

Page YDMXKA3A

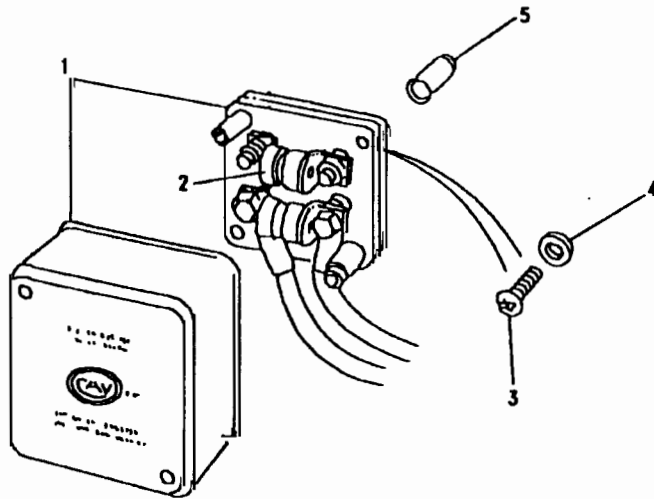
ELECTRICAL - RADIO - POWER SUPPLY FUSE BOX

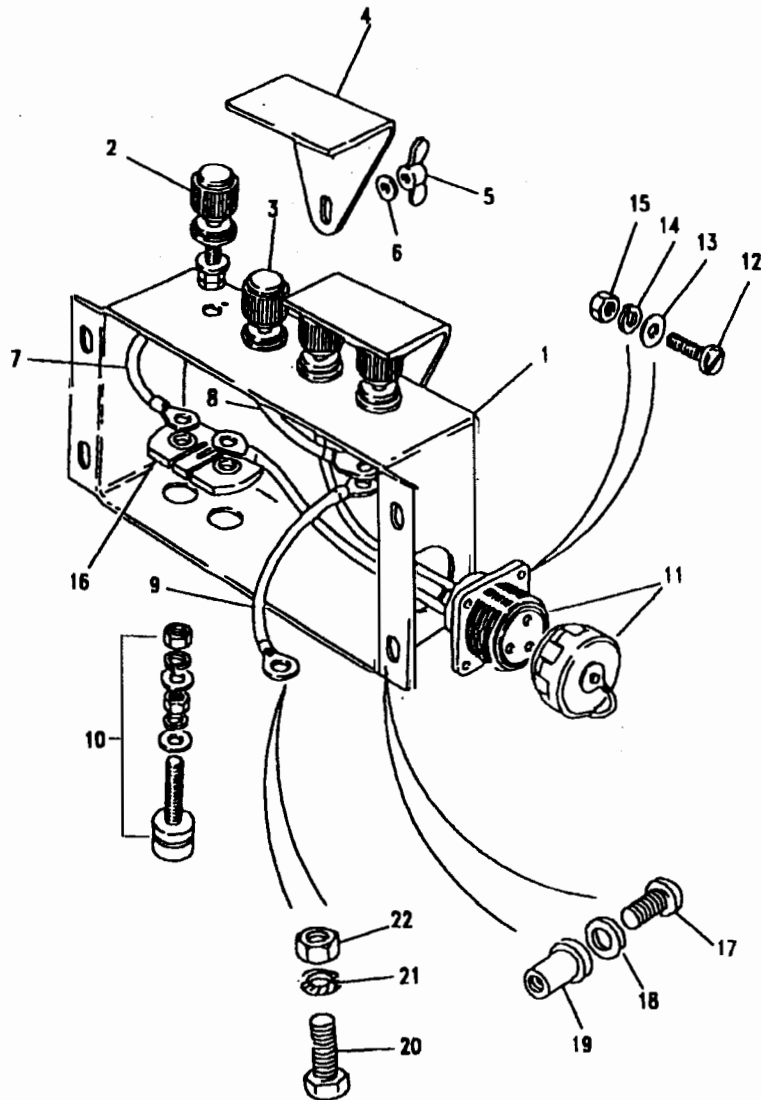
III. Part No. Description Qty Remarks

FFR - radio power supply fuse box - note(1)

1	RTC5298	Fuse box	1	
2	RTC5011	Fuse 150A	2	NLA use 589151
	589151	Fuse 150A	2	
3	SE105161L	Screw M5	2	
4	WA105001L	Washer plain M5	2	
5	NN105011	Nutsert M5	2	

Note(1) Standard (non-waterproof) vehicles only.





Model DEFENDER XD ALL VARIANTS
Page YDMXA4A

ELECTRICAL - RADIO - TERMINAL BOX

III. Part No. Description Qty Remarks

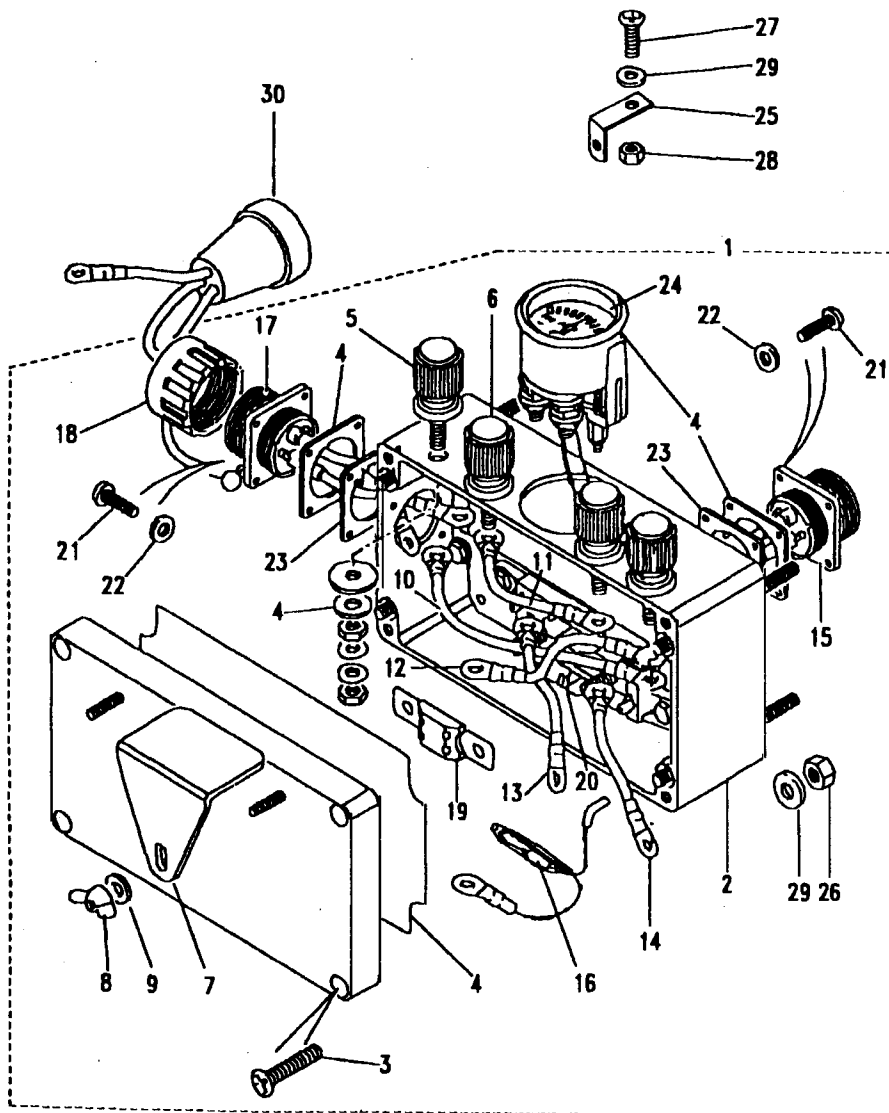
FFR - radio power supply terminal box - note(1)

1	PRC5477	Box terminal	1
2	552647	Terminal red	2
3	552648	Terminal black	2
4	MTC2103	Shield terminal	2
5	NA105011L	Nut wing M5	2
6	WA106041L	Washer plain	2
7	PRC5491	Lead terminal to shunt	1
8	PRC3284	Lead inter terminal	2
9	PRC4373	Lead earth	1
10	PRC5592	Terminal post complete	2
11	PRC5478	Cable & socket assembly	1
	IYP100010	Cap	1
12	SP103101	Screw pan hd M3 x 10	4
13	WA103001L	Washer plain M3	4
14	WL103001L	Washer spring M3	4
15	NH103041L	Nut M3	4
16	PRC5483	Shunt 90 amp	1

Fixings

17	SE105161L	Screw M5 x 16	4
18	WA105001L	Washer plain M5	4
19	NN105011	Nutsert M5	4
20	FS106161L	Screw M6 x 16	1
21	WF106001L	Washer shakeproof M6	1
22	NH106041L	Nut M6	1

Note(1) Standard (non-waterproof) vehicles only.



Model DEFENDER XD ALL VARIANTS
 Page YDMXKA4B

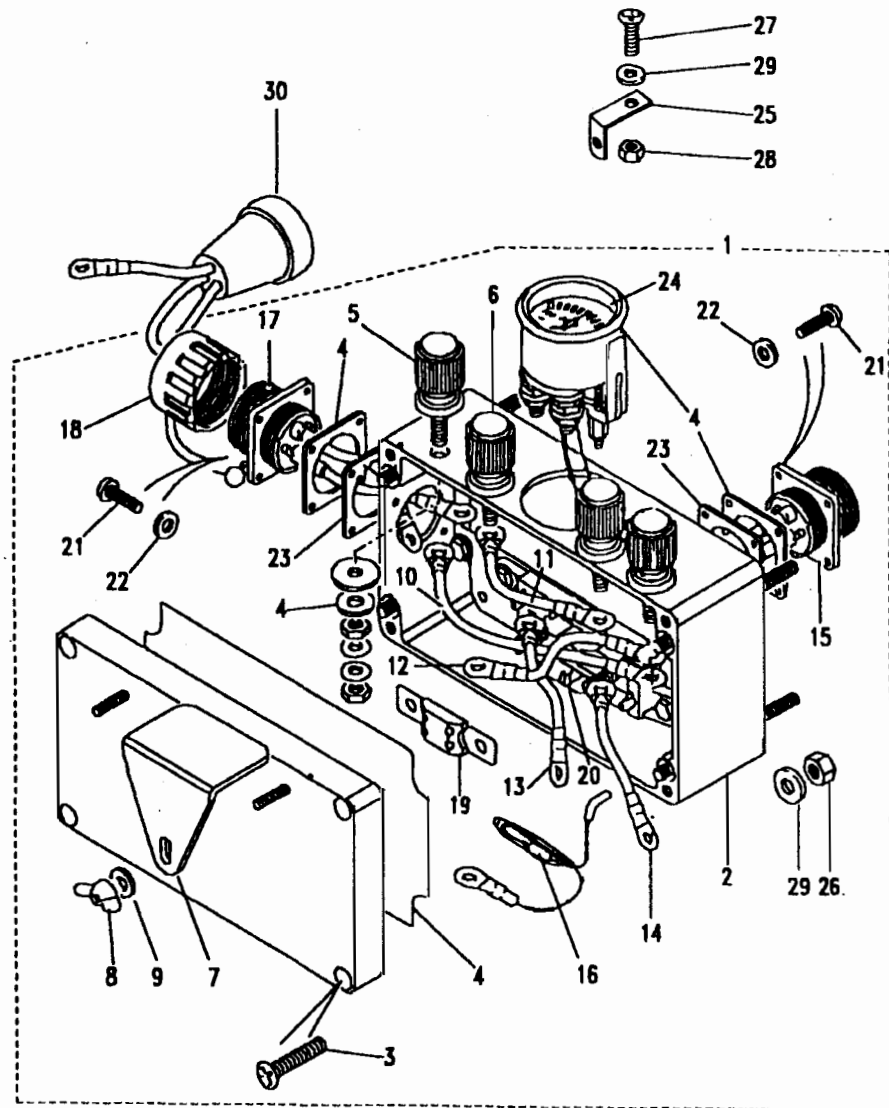
ELECTRICAL - RADIO - TERMINAL BOX - WATERPROOF

III. Part No. Description Qty Remarks

FFR - radio power supply terminal box - waterproof vehicles

1	IPC100030	Box assembly terminal	1	
2	IPC100040	Box terminal waterproof	1	
3		Screw box cover	4	Note(1)
4	STC4368	Kit seal	1	
5	552647	Terminal red	2	
6	552648	Terminal black	2	
7	IRO100000	Shield terminal	2	
8	NA106011	Nut wing M6	2	
9	WA106041L	Washer plain	2	
10	IQG100070	Lead terminal pos to pos	1	
11	IQG100080	Lead terminal neg to neg	1	
12	IQG100040	Lead ammeter to terminal	1	
13	IQG100050	Lead ammeter to fuse	1	
14	IQG100060	Lead negative to earth	1	
15	IQG100030	Cable assy vehicle conn	1	
16		Resistor	1	Note(2)
17	IQG100090	Cable assy output	1	
18	IYP100010	Cap	1	
19	YQG100260	Fuse 150A	1	Note(3)
20	YQE103540	Fuse holder	1	
21	SE103161L	Screw pan hd M3 x 16	8	
22	WA103001L	Washer plain M3	8	
23	ALQ710010	Plate retaining	2	
24		Ammeter (100-0-100)	1	Note(4)

Note(1) NSS - supplied with box IPC100040
 Note(2) NSS - supplied with input cable assembly IQG100030
 Note(3) Spare fuse included with box assembly.
 Note(4) For ammeter see page 297

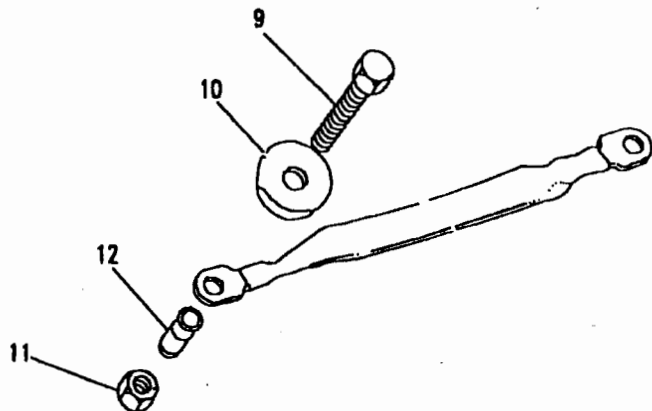
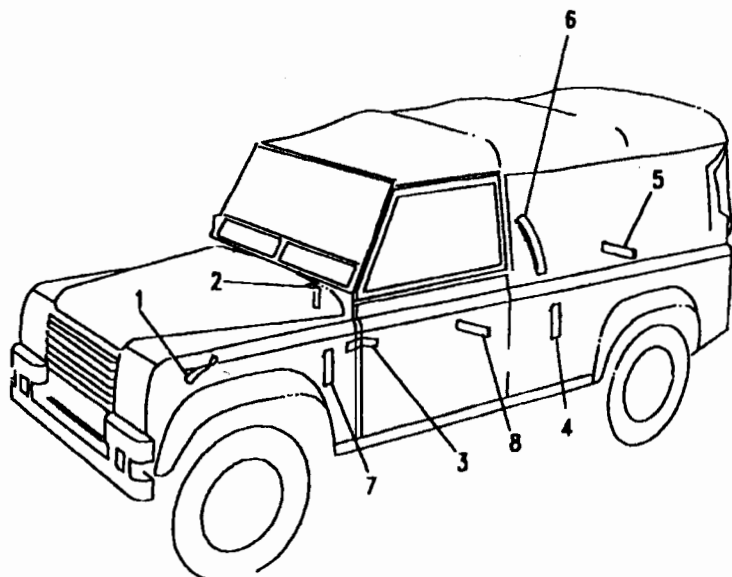


Model DEFENDER XD ALL VARIANTS
Page YDMXKA4B

ELECTRICAL - RADIO - TERMINAL BOX - WATERPROOF

III. Part No.	Description	Qty	Remarks
Fixings - terminal box to bulkhead			
25	IPU100160	Bracket mounting	2
26	NH106041L	Nut M6	6
27	SE106161L	Screw M6 x 16	4
28	NY106047L	Nut nyloc M6	4
29	WA106041L	Washer plain M6	10
Output socket grounding connector			
30	YMS100140	Connector grounding	1 Note(1)
Silicone grease			
	STC4358	Grease waterproof DC111	A/R 100g tube

Note(1) Grounding connector is supplied with Stage B kit.

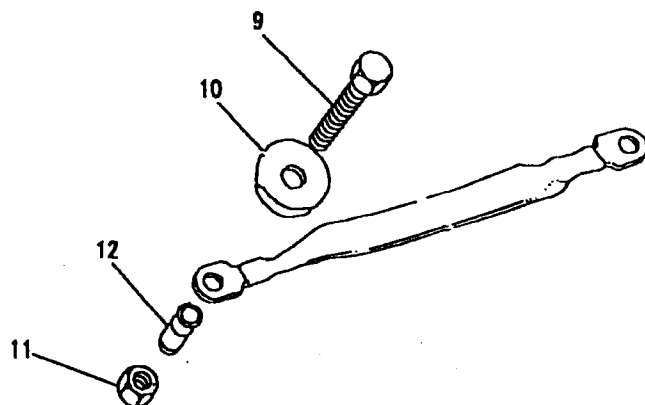
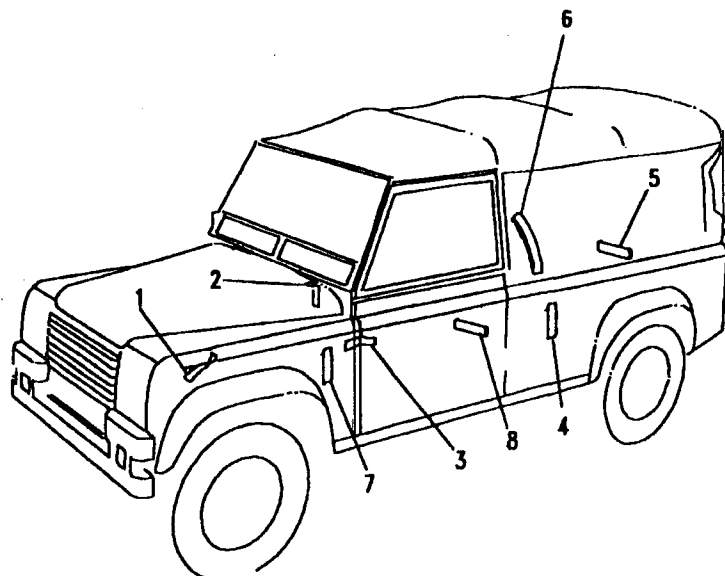


Model DEFENDER XD ALL VARIANTS

Page YDMXKA5A

ELECTRICAL - RADIO - ELECTRICAL BONDING LEADS

III. Part No.	Description	Qty	Remarks
Bonding lead - toe box to chassis			
1 RRC8681	Lead bonding 250mm	1	Waterproof
IPX100000	Lead bonding 250mm	1	
Bonding lead - bonnet to bulkhead			
2 RRC8681	Lead bonding 250mm	1	Waterproof
IPX100000	Lead bonding 250mm	1	
Bonding lead - door to A post			
3 RRC8681	Lead bonding 250mm	2	Waterproof
IPX100000	Lead bonding 250mm	2	
Bonding lead - rear body to chassis			
4 RRC8681	Lead bonding 250mm	2	Waterproof
IPX100000	Lead bonding 250mm	2	
Bonding lead - tailgate/rear door to body			
5 RRC8681	Lead bonding 250mm	1	Waterproof
IPX100000	Lead bonding 250mm	1	
Bonding lead - radio support rack to body-side			
6 RRC8682	Lead bonding 400mm	2	Waterproof
IPX100010	Lead bonding 400mm	2	
Bonding lead - starter motor to chassis			
7 RRC8806	Lead bonding 250mm M8/10	1	Waterproof
IPX100020	Lead bonding 250mm M8/10	1	



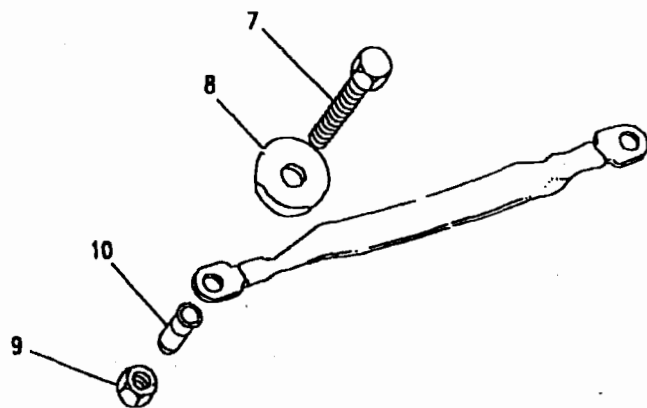
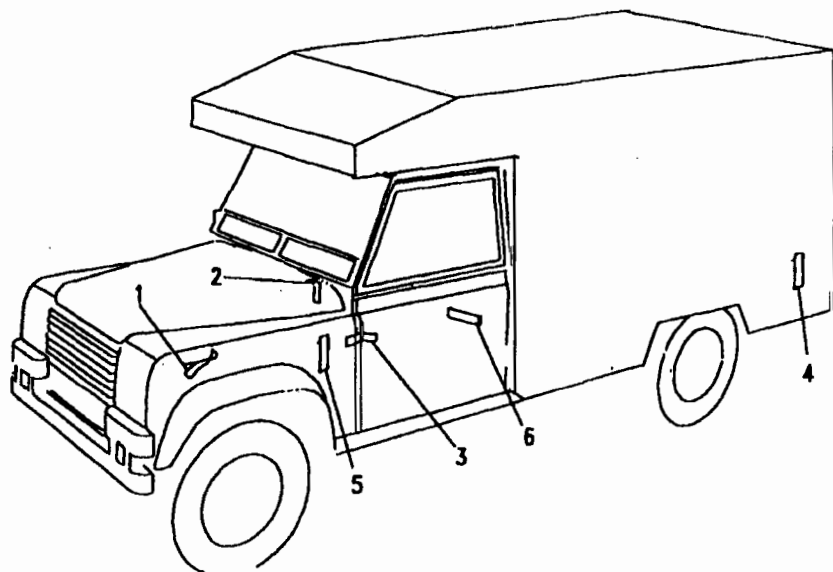
Model DEFENDER XD ALL VARIANTS
Page YDMXKA5A

ELECTRICAL - RADIO - ELECTRICAL BONDING LEADS

III. Part No.	Description	Qty	Remarks
Bonding lead - EGR ECU box to body			
8 RRC8681	Lead bonding 250mm	1	
IPX100000	Lead bonding 250mm	1	Waterproof
Bonding lead - auxilliary heater bracket to dash			
IPX100000	Lead bonding 250mm	1	Winterised
Bonding lead - auxilliary heater bracket to heater ECU box			
IPX100010	Lead bonding 400mm	1	Winterised

Fixings			
9 SH108121L	Screw M8 x 12	A/R	
FS108207L	Screw M8 x 20	A/R	
FS108357	Screw M8 x 35	A/R	
10 WA108051L	Washer plain M8	A/R	
11 NH108041L	Nut M8	A/R	
NY108051L	Nut nyloc M8	A/R	
12 NN108021	Rivnut M8	A/R	

Note(1) For radio table bonding leads, see page 301 - 302



Model DEFENDER XD ALL VARIANTS
Page YDMXKA6A

ELECTRICAL - RADIO - ELECTRICAL BONDING LEADS - AMBULANCE

III. Part No. Description Qty Remarks

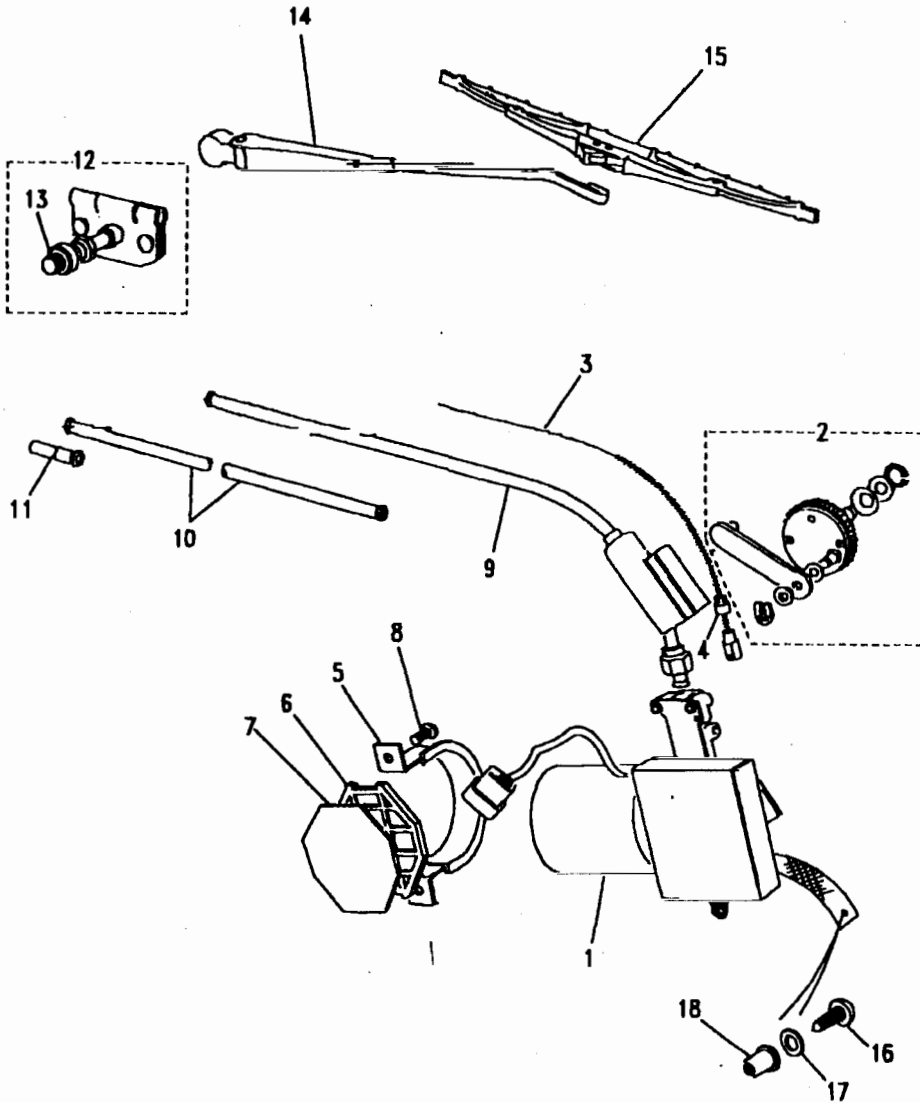
Bonding lead - toe box to chassis			
1	RRC8681	Lead bonding 250mm	1
Bonding lead - bonnet to bulkhead			
2	RRC8681	Lead bonding 250mm	1
Bonding lead - door to A post			
3	RRC8681	Lead bonding 250mm	2
Bonding lead - rear body to chassis			
4	RRC8681	Lead bonding 250mm	1
Bonding lead - starter motor to chassis			
5	RRC8806	Lead bonding 250mm	1 MB x M10
Bonding lead - EGR ECU box to body			
6	RRC8681	Lead bonding 250mm	1
Bonding leads - air-con condenser fans to body - tropical vehicles			
	IPX100050	Lead bonding 350mm	1
	IPX100070	Lead bonding 620mm	1
Bonding leads - mesh grille panel to body - tropical vehicles			
	IPX100060	Lead bonding 300mm	1 Grille panel
	IPX100050	Lead bonding 350mm	1 Wire mesh

Fixings			
7	SH108121L	Screw M8 x 12	A/R
	FS108207L	Screw M8 x 20	A/R
	FS108357	Screw M8 x 35	A/R
8	WA108051L	Washer plain M8	A/R
9	NH108041L	Nut M8	A/R
	NY108051L	Nut nyloc M8	A/R
10	NN108021	Rivnut M8	A/R

Model DEFENDER XD ALL VARIANTS
 Page YDMXMA1A

ELECTRICAL - SCREEN WIPERS FRONT

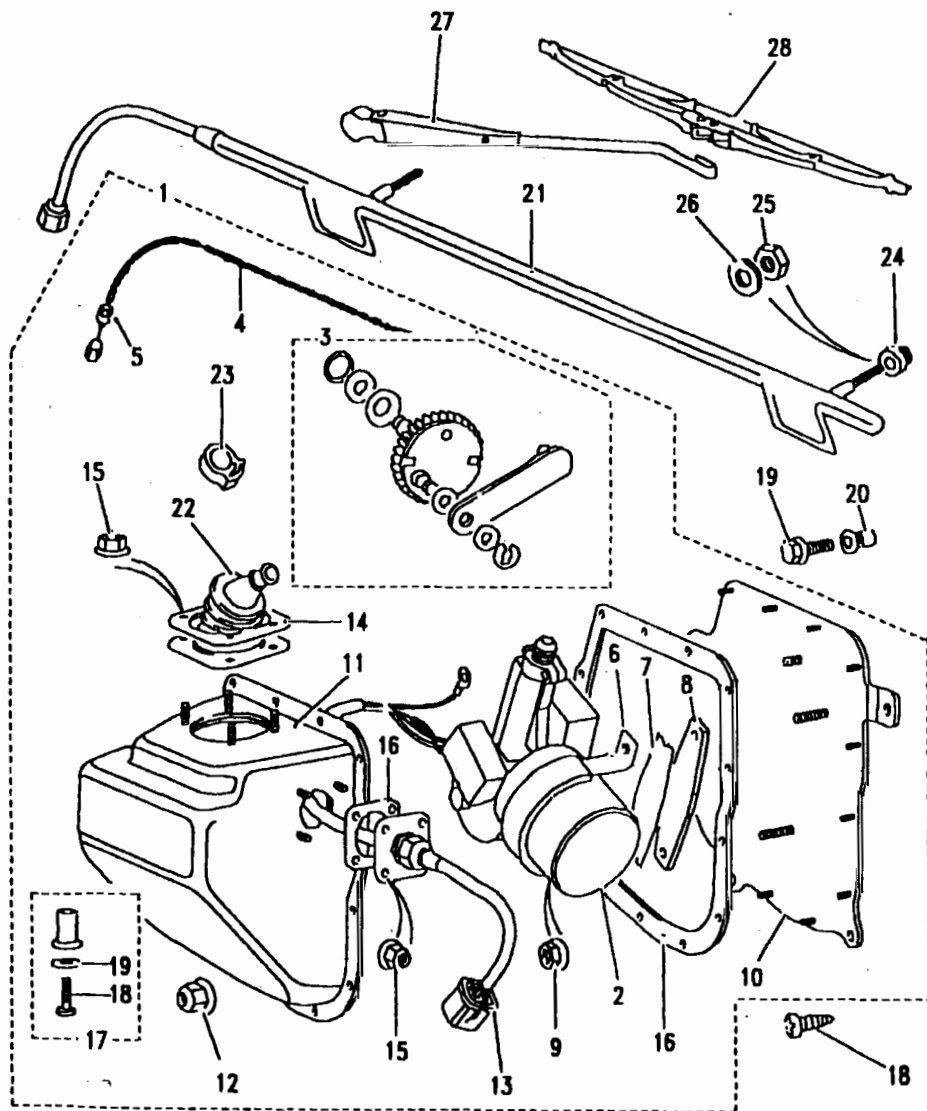
Ill. Part No.	Description	Qty	Remarks
1	STC3069	1	RH Stg
	STC3070	1	LH Stg
2	STC3071	1	Gear & link kit
3	RTC4682	1	Rack wiper
4	STC3073	1	Ferrule
5	BHA4790L	1	Strap
6	150844	1	Pad
7	STC3072	1	Plate spacer
8	SE106161L	2	Screw M6
9	PRC3671	1	Tube motor to wheel box
	PRC3672	1	Tube motor to wheel box
10	PRC2471	1	Tube inter wheel box
11	575047	1	Tube wheel box to end
12	PRC8495	2	Wheel box assembly
13	STC987	2	Adaptor splined
14	PRC4276	2	Arm wiper
	PRC4277	2	Arm wiper
15	PRC8559	2	Blade wiper
	DKC100980	2	Blade wiper
16	SE106161	1	Screw M6 x 16
17	WA106001L	1	Washer plain M6
18	AWR6715	1	Nutsert M6



Model DEFENDER XD ALL VARIANTS

Page YDMXMA2A

ELECTRICAL - SCREEN WIPERS FRONT - WATERPROOF

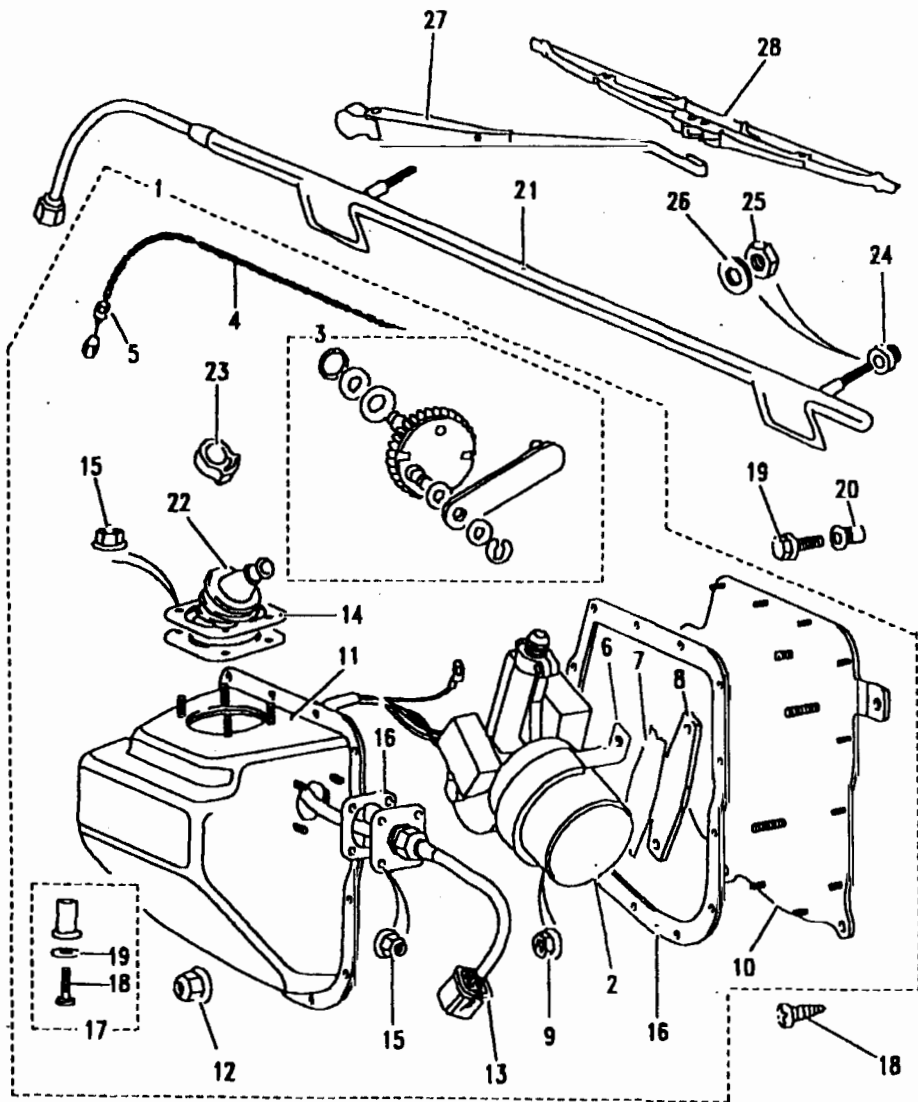


III. Part No. Description Qty Remarks

III. Part No.	Description	Qty	Remarks
Waterproof wiper motor assembly			
1	DLB101670	1	Motor wiper assembly
2	STC3069	1	Motor wiper
3	STC3071	1	Gear & link kit
4	RTC4682	1	Rack wiper
5	STC3073	1	Ferrule
6	BHA4790L	1	Strap
7	150844	1	Pad
8	STC3072	1	Plate spacer
9	FN106047L	3	Nut flanged M6
10	AHU710080	1	Backplate wiper mounting
11	DLH100170	1	Cover wiper motor
12	DYH10042L	13	Nut flanged M4
13	YMQ103490	1	Harness link wiper motor
14	DOP100000	1	Ring clamping
15	FN105047L	8	Nut flanged M5
16	STC4295	1	Kit seal
17	IPS100000	1	Plug drain
18	SE104201L	1	Screw M4 x 20
19	WA104001	1	Washer plain M4
Fixings - motor assembly to bulkhead			
18	AB608054L	3	Screw No8 x 5/8
19	FS106125L	1	Screw M6 x 12
20	ANR2388	1	Nutsert M6

Model DEFENDER XD ALL VARIANTS
Page YDMXMA2A

ELECTRICAL - SCREEN WIPERS FRONT - WATERPROOF



Ill. Part No.	Description	Qty	Remarks
Sealed rack assembly, wiper arms & blades			
21	DKV100000 Rack assembly sealed	1	Note(1)
22	Gaiter	1)NSS use STC4295
23	Clip gaiter	1)
24	STC987 Adaptor splined	2)
25	Nut wheelbox	2)NSS supplied
26	Washer	2)with PRC8495
27	PRC4276 Arm wiper	2	
28	PRC8559 Blade wiper	2	NLA use DKC100980
	DKC100980 Blade wiper	2	

Note(1) Sealed rack assembly - must not be stripped.

Model DEFENDER XD ALL VARIANTS

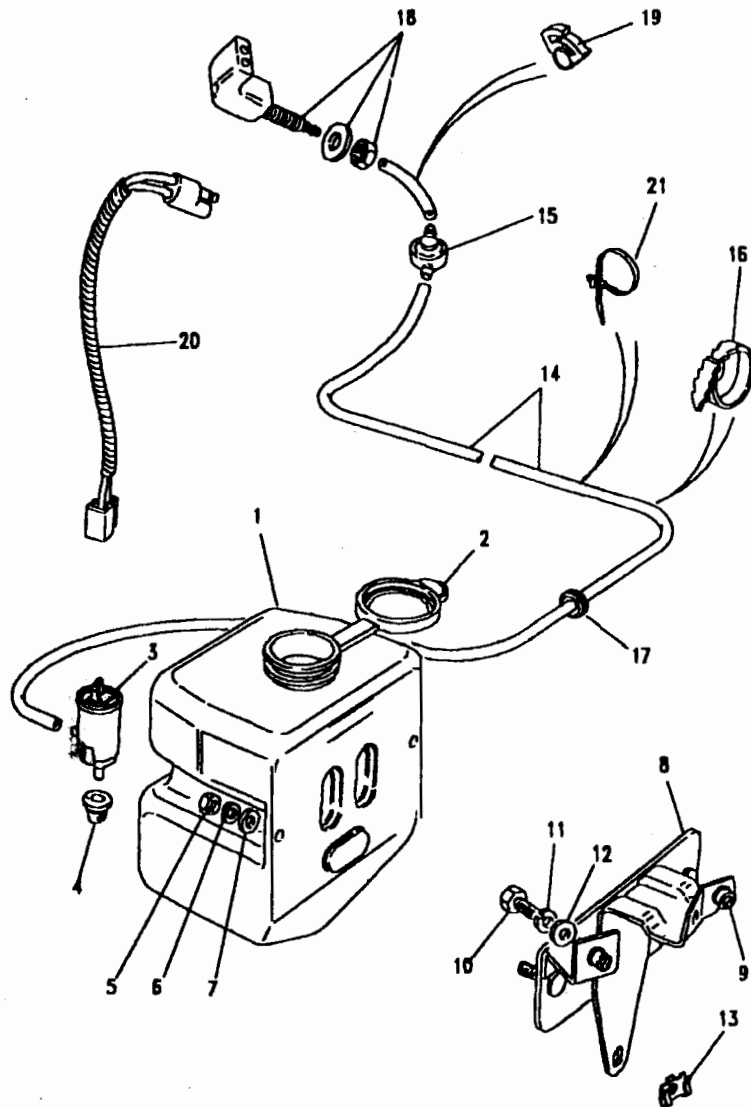
Page YDMXMC1A

ELECTRICAL - SCREEN WASH FRONT

III. Part No. Description Qty Remarks

Front screen wash only - standard vehicles

Part No.	Description	Qty	Remarks
1	PRC5744	1	
2	DMG10001L	1	55mm
3	PRC3615	1	
4	RTC3959	1	
5	NH106047L	1	
6	WL106007L	2	
7	WC106047	2	
8	RRC8364	1	RH Stg
	RRC8363	1	LH Stg
9	NN106021	2	
10	SH106207L	3	
11	WL106007L	3	
12	WA106047L	3	
13	AFU1280	3	
14	RTC3650	A/R	
15	AMR6676	1	
16	RTC222	3	
17	338015	1	
18	AMR3025	1	
19	AMR3012	1	
20	AMR1632	1	
21	YQR10016L	2	



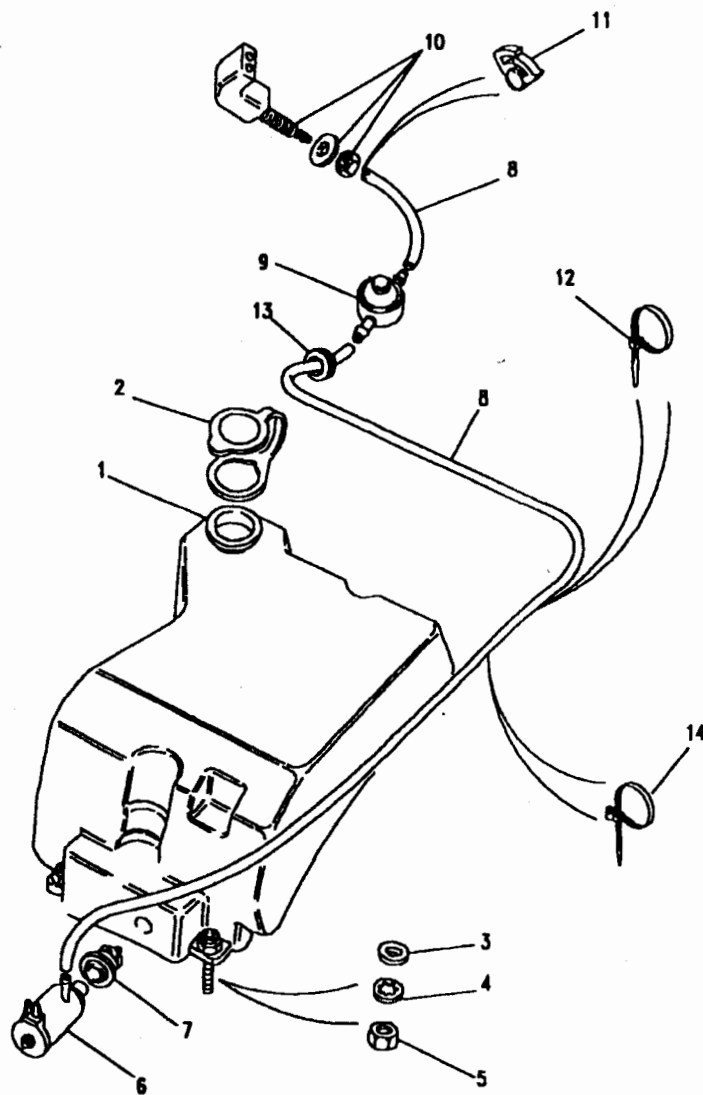
Model DEFENDER XD ALL VARIANTS
Page YDMXMC3A

ELECTRICAL - SCREEN WASH FRONT - WINTERISED

III. Part No. Description Qty Remarks

Front screen wash only - winterised vehicles

1	DMB103060	Reservoir	1	
2	DMG10001L	Cap reservoir	1	55mm
3	AFU1069	Washer plain	3	
4	WF600041L	Washer shakeproof	3	
5	NH106047L	Nut M6	3	
6	DMC100590	Pump windscreen wash	1	
7	AFU4506	Grommet	1	
8	DNC101720	Tubing screen wash	A/R	
9	AMR6676	Valve non return	1	
10	AMR3025	Jet windscreen wash	1	
11	AMR3012	Clip retaining	1	
12	UKC6684L	Cable tie 3.5 x 150mm	3	
13	AMR3550	Grommet	1	
14	YQR10016L	Cable tie panel fixing	1	



Model DEFENDER XD ALL VARIANTS

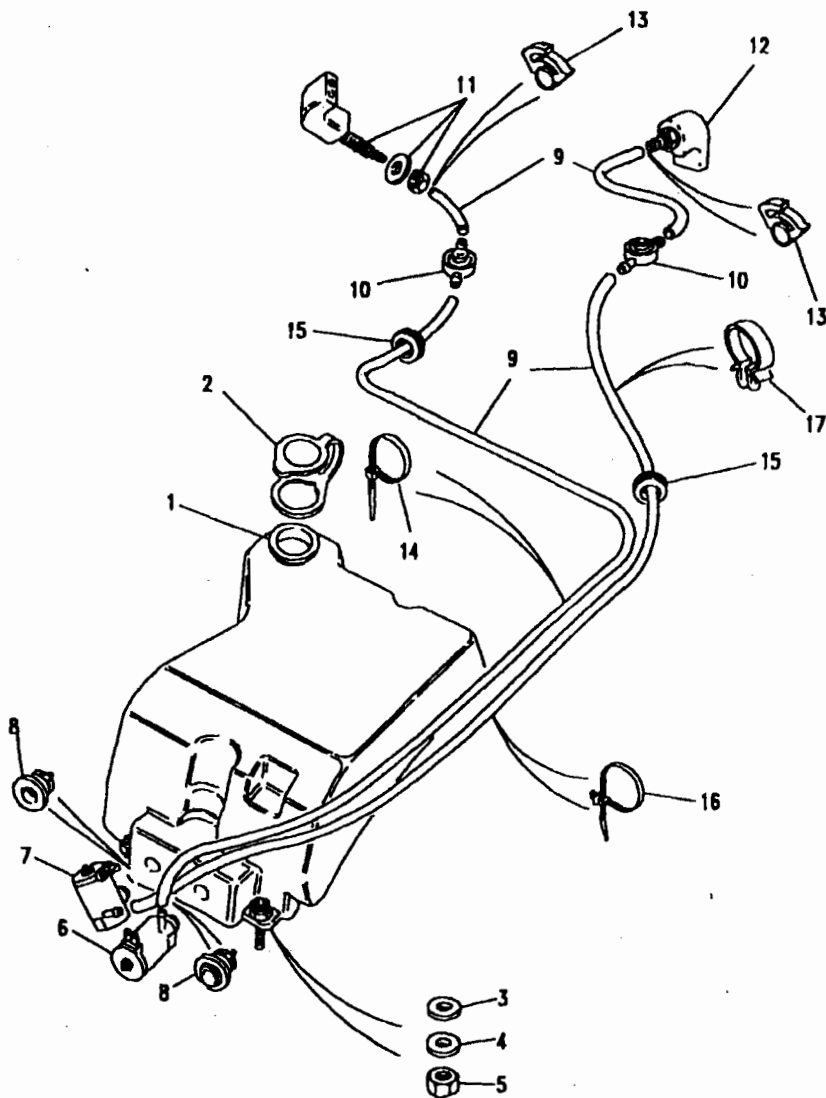
Page YDMXMC5A

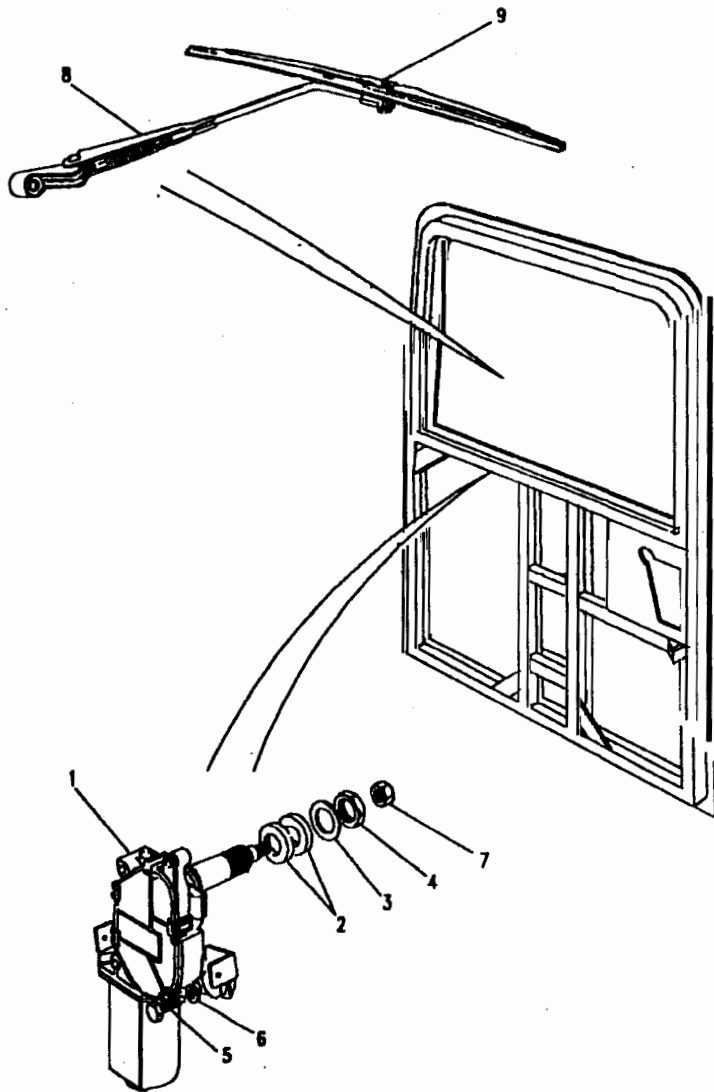
ELECTRICAL - SCREEN WASH FRONT & REAR - WINTERISED

III. Part No. Description Qty Remarks

Front & rear screen wash - winterised vehicles

1	DMB103090	Reservoir	1	
2	DMG10001L	Cap reservoir	1	55mm
3	AFU1069	Washer plain	3	
4	WF600041L	Washer shakeproof	3	
5	NH106047L	Nut M6	3	
6	DMC100590	Pump windscreen wash	1	
7	DMC100600	Pump rear screen wash	1	
8	AFU4506	Grommet	2	
9	DNC101720	Tubing screen wash	A/R	
10	AMR6676	Valve non return	2	
11	AMR3025	Jet windscreen wash	1	
12	AMR3026	Jet rear screen wash	1	
13	AMR3012	Clip retaining	2	
14	UKC6684L	Cable tie 3.5 x 150mm	3	
15	AMR3550	Grommet	2	
16	YQR10016L	Cable tie panel fixing	2	
17	PRC5273	Omega clip 10.5 x 8mm	2	

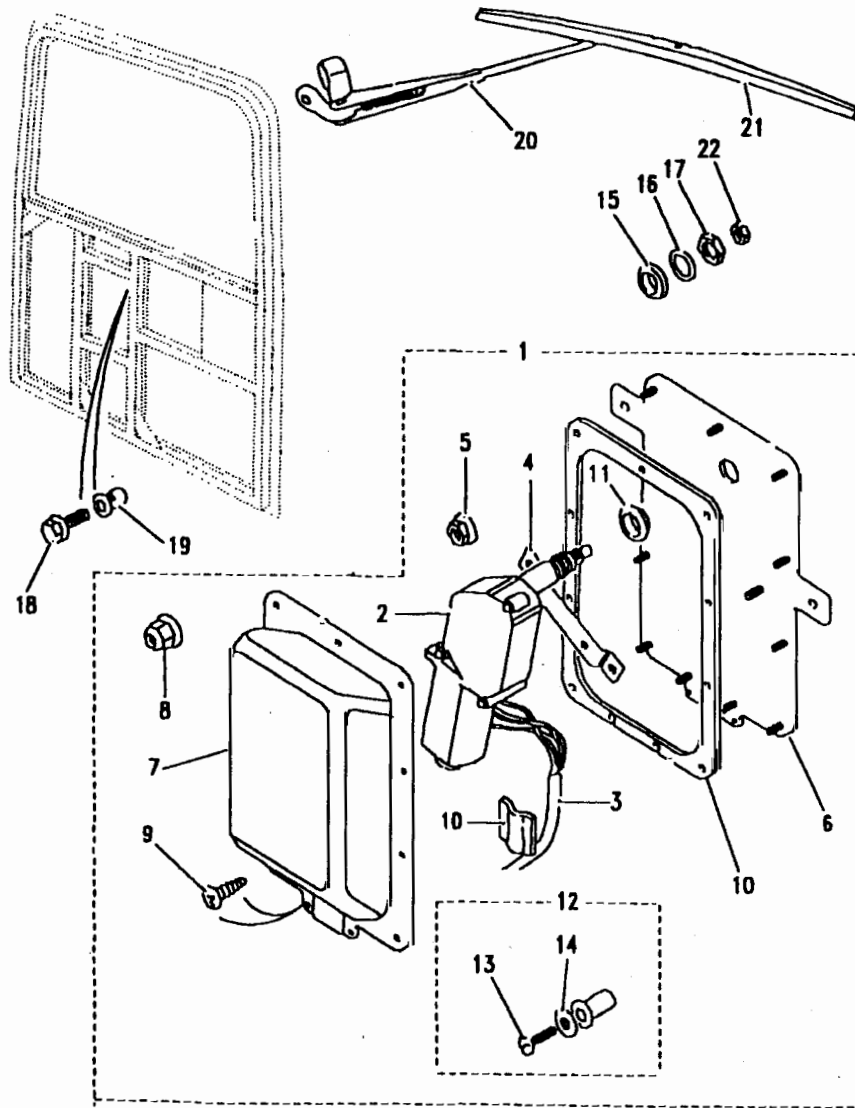




Model DEFENDER XD ALL VARIANTS
 Page YDMXMI1A

ELECTRICAL - SCREEN WIPER REAR - WINTERISED

III. Part No.	Description	Qty	Remarks
1 RRC8567	Motor wiper rear	1	
2 AMR3932	Grommet wiper spindle	2	
3 AMR3933	Washer rear wiper motor	1	
4 AMR3934	Nut rear wiper motor	1	
5 GG106251L	Screw M6	1	
6 MRC5527	Washer plain M6	1	
7 NH108041L	Nut M8	1	
8 PRC8558	Arm wiper	1	
9 PRC8559	Blade wiper	1	NLA use DKC100980
DKC100980	Blade wiper	1	



Model DEFENDER XD ALL VARIANTS

Page YDMXMI2A

ELECTRICAL - SCREEN WIPER REAR - WATERPROOF

III. Part No. Description Qty Remarks

Waterproof wiper motor assembly

1	DLB101680	Motor wiper assembly	1	
2	RRC8567	Motor wiper rear	1	
3		Harness rear door	1	Note(1)
4	DLC100390	Bracket mounting	1	
5	FN106047L	Nut flanged M6	2	
6	AHU710090	Backplate wiper mounting	1	
7	DLH100180	Cover	1	
8	DYH10042L	Nut flanged M4	11	
9	AB606057	Screw No6 x 5/8	2	
10	STC4294	Kit seal	1	
11	AMR3932	Grommet wiper spindle	1	
12	IPS100000	Plug drain	1	
13	SE104201L	Screw M4 x 20	1	
14	WA104001	Washer plain M4	1	

Fixings - motor assembly to door

15	AMR3932	Grommet wiper spindle	1	
16	AMR3933	Washer rear wiper motor	1	
17	AMR3934	Nut rear wiper motor	1	
18	FS106125L	Screw M6 x 12	2	
19	ANR2388	Nutsert M6	2	

Wiper arm & blade

20	DKB102930	Arm wiper	1	
21	PRC8559	Blade wiper	1	NLA use DKC100980
	DKC100980	Blade wiper	1	
22	NH108041L	Nut M8	1	

Note(1) For rear end door harness, see page 270



MASTER INDEX

	PAGES
INTRODUCTION PAGES	1 - 4
ALPHABETICAL INDEX	5 - 16
ENGINE	17 - 57
GEARBOX	58 - 74
TRANSFER BOX	75 - 90
AXLES AND SUSPENSION	91 - 129
STEERING	130 - 141
VEHICLE AND ENGINE CONTROLS	142 - 148
BRAKES	149 - 161
FUEL SYSTEM AND AIR CLEANER	162 - 179
EXHAUST SYSTEM	180 - 185
COOLING/HEATING	186 - 225
BODY ELECTRICAL	226 - 319
BODY AND CHASSIS	320 - 444
INTERIOR TRIM	445 - 459
SEATS	460 - 473
STOWAGE	474 - 482
ACCESSORIES - PAINTS	483 - 495
NUMERICAL INDEX	497 - 530

GROUP N

BODY AND CHASSIS

BODY AND CHASSIS	
CHASSIS FRAME - 90	322
CHASSIS FRAME - 110	323
CHASSIS FRAME - AMBULANCE	324
CHASSIS REPAIR SECTIONS	325
ENGINE MOUNTINGS	326
TRANSMISSION MOUNTINGS	327
BUMPER - FRONT	328
BUMPERS - REAR	329
STEERING GUARD	330
STEERING PROTECTION BAR - AMBULANCE	331
LABELS	332
DASH ASSEMBLY	333 - 334
GEARBOX DIAPHRAGM & TUNNEL	335
FLOOR PLATES	336
SEAT BASE - 90	337
SEAT BASE - 110	338
SEAT BASE COVERS & FITTINGS	339
SEAT BASE KIT RETENTION	340
SILL PANELS - 90	341 - 342
SILL PANELS - 110	343 - 344
SILL PANELS - AMBULANCE	345 - 346
RADIATOR GRILLE	347
RADIATOR GRILLE - TROPICAL AMBULANCE	348
RADIATOR GRILLE TOP PANEL AND BRACES	349
BONNET RELEASE SAFETY CATCH	350
BONNET	351
BONNET TREADPLATE - AMBULANCE	352
FRONT WINGS	353
FRONT WINGS - AMBULANCE	354
FRONT WINGS - WHEELARCH AND EYEBROW	355
WINDSCREEN	356
WINDSCREEN - AMBULANCE	357
DOORS - FRONT DOOR ASSEMBLY	358
DOORS - FRONT DOOR HINGES	359
DOORS - FRONT DOOR SEALS	360
DOORS - FRONT DOOR SIDE SCREENS	361 - 362
DOORS - REAR END DOOR	363
DOORS - REAR END DOOR HINGES	364





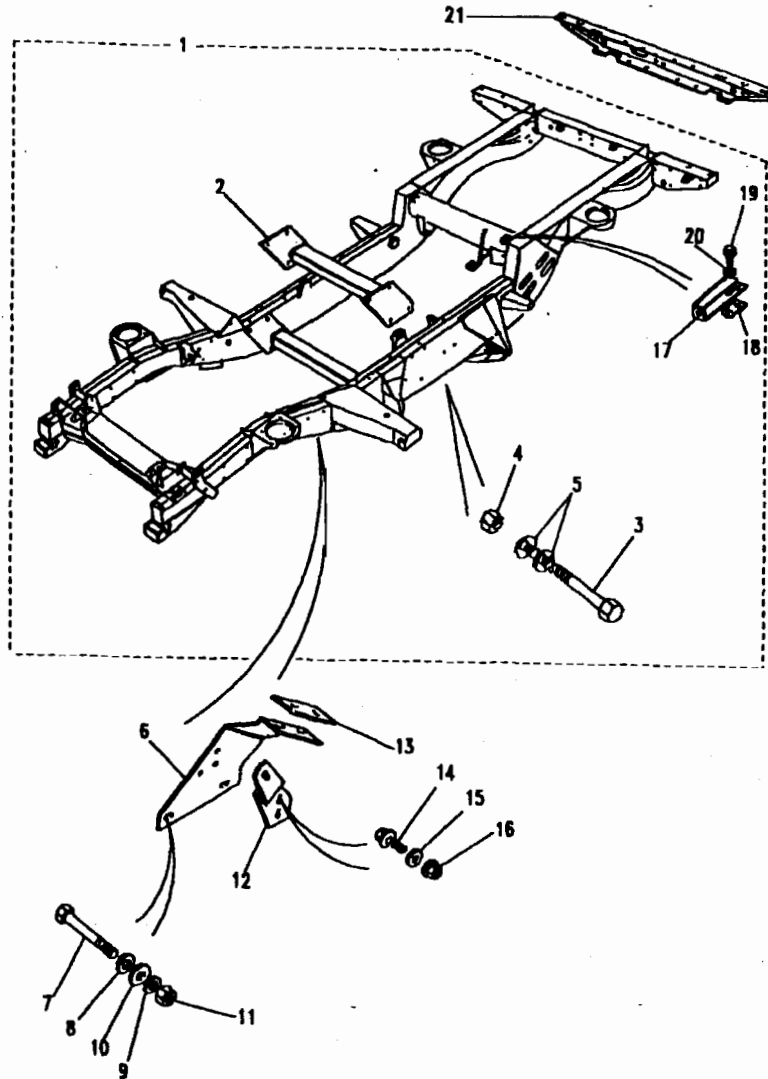
DEFENDER XD ALL VARIANTS

321

BODY AND CHASSIS

DOORS - REAR END DOOR CHECK MECHANISM	365	SKI RACK - WINTERISED	421
DOORS - REAR END DOOR SEALS	366	SKI RACK - AMBULANCE - WINTERISED	422
DOORS - DOOR LOCKS ANTI-BURST	367	LAMP GUARDS - FRONT	423
DOORS - DOOR STRIKER STAY BRACKETS	368	SNOW COVERS - WINTERISED	424
DOORS - DOOR STRIKER STAY BRACKETS - AMBULANCE	369	SNOW COVERS - AMBULANCE - WINTERISED	425
LOCKSETS & KEYS	370	REAR ACCESS STEP - AMBULANCE	426
TAILGATE	371	TAPES AND BADGES	427
BULKHEAD STIFFENERS - 110	372	MIRRORS - REAR VIEW	428
CAB BASE ASSEMBLY - AMBULANCE	373 - 374	MIRRORS - REAR VIEW - AMBULANCE	429
REAR BODY - 90	375	MUD-FLAPS - FRONT - WINTERISED	430
REAR BODY - 110	376	MUD-FLAPS - REAR - 90 - WINTERISED	431
REAR BODY - CAPPINGS - 90	377	MUD-FLAPS - REAR - 110 - WINTERISED	432
REAR BODY - CAPPINGS - 110	378	MUD-FLAPS - REAR - AMBULANCE - WINTERISED	433
REAR BODY - MOUNTINGS - 90	379 - 380	SPARE WHEEL MOUNTING - BONNET	434
REAR BODY - MOUNTINGS - 110	381 - 382	SPARE WHEEL MOUNTING - SIDE	435
REAR BODY - LAMP COVER PANELS	383	SPARE WHEEL MOUNTING - ROOF - AMBULANCE	436
REAR BODY - TAILGATE SEALS	384	ROOF ACCESS STEPS - AMBULANCE	437
REAR BODY - INNER PANELS - 90	385	HEADER RAIL & DRAIN CHANNELS	438
REAR BODY - INNER PANELS - 110	386	HOOD ASSEMBLY - 90	439
REAR BODY - WHEELARCH EYEBROWS	387	HOOD ASSEMBLY - 110	440
FLAG HOLDER, LASHING STAPLES & CLEATS - 90	388	HOOD LINING - WINTERISED	441
FLAG HOLDER, LASHING STAPLES & CLEATS - 110	389	ROLL PROTECTION - FRONT	442
BODY PANELS - AMBULANCE	390 - 391	ROLL PROTECTION - REAR - 90	443
BODY MOUNTINGS - AMBULANCE	392	ROLL PROTECTION - REAR - 110	444
REAR END DOORS - AMBULANCE	393		
REAR END DOOR LATCHES - AMBULANCE	394 - 395		
BULKHEAD DOOR - AMBULANCE	396		
REAR LIGHT BRACKETS - AMBULANCE	397		
INTERIOR FLOOR COVERING - AMBULANCE	398		
WINDOWS & WINDOW BLACKOUT - AMBULANCE	399		
JERRYCAN STOWAGE - BULKHEAD - 90	400		
JERRYCAN STOWAGE - BODYSIDE - 110	401 - 402		
JERRYCAN STOWAGE - AMBULANCE	403 - 404		
ROOF - ROOF ASSEMBLY - 90	405		
ROOF - ROOF ASSEMBLY - 110	406		
ROOF - ROOF FIXINGS - 90	407		
ROOF - ROOF FIXINGS - 110	408		
STRETCHER FRAMES - AMBULANCE	409 - 410		
STRETCHER SUPPORT STRUT - AMBULANCE	411		
STRETCHER FRAME SPRUNG ARM - UPPER	412		
STRETCHER FRAME SPRUNG ARM - LOWER	413		
STRETCHER MECHANISM - LABELS - AMBULANCE	414		
STRETCHER TIE-DOWN & STOWAGE - AMBULANCE	415 - 416		
INTERIOR FITTINGS - AMBULANCE	417 - 418		
OXYGEN BOTTLE STOWAGE - AMBULANCE	419		
LOCKERS - AMBULANCE	420		



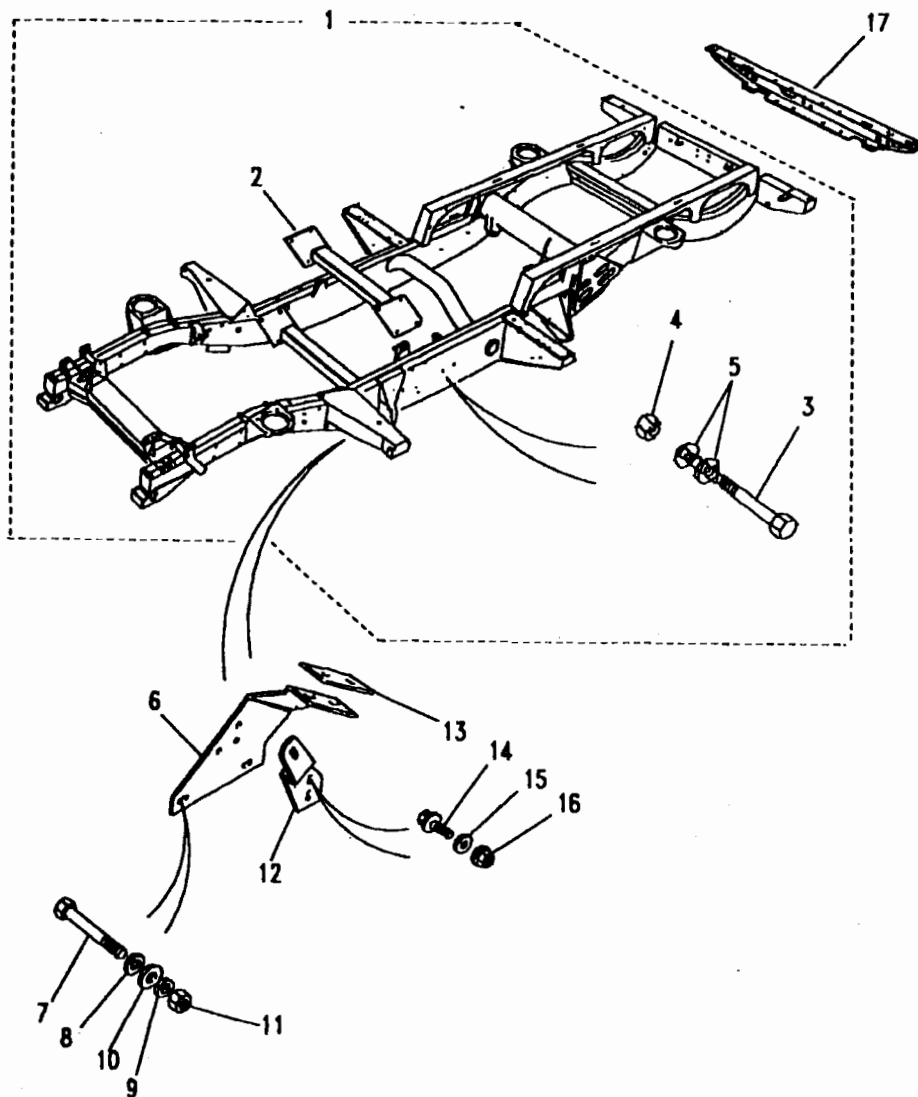


Model DEFENDER XD ALL VARIANTS
Page YDNXAA1A

CHASSIS - CHASSIS FRAME - 90

III. Part No.	Description	Qty	Remarks
1 ANR4196 KVD100070	Chassis assembly	1	Up to VA138479
2 ANR4215	Chassis assembly Crossmember detachable	1	From WA138480
3 BH110201L	Bolt M10 x 100	4	
4 FN110047L	Nut M10	4	
5 217245	Washer plain M10	8	
6 NRC7435	Toe box support LH	1	
7 NRC7436	Toe box support RH	1	
8 BH108201L	Bolt M8 x 100	2	
9 WC108051L	Washer plain M8	2	
10 WL108001L	Washer spring M8	2	
11 WP185L	Washer plain	2	
12 FN108047L	Nut M8	2	
13 NRC7164	Support LH	1	
14 NRC7165	Support RH	1	
15 NRC7131	Packing piece	3	
16 FS108257L	Screw M8 x 25	2	
17 WC108051L	Washer plain M8	2	
18 FN108047L	Nut M8	2	
19 NRC9696	Bracket LH	1	
20 NRC9695	Bracket RH	1	
21 NRC9698	Nut plate assy M8	1	
22 FS108207L	Screw M8 x 20	2	
23 WA108051L	Washer plain M8	2	
24 ANR3840	Bumper rear pressing	1	

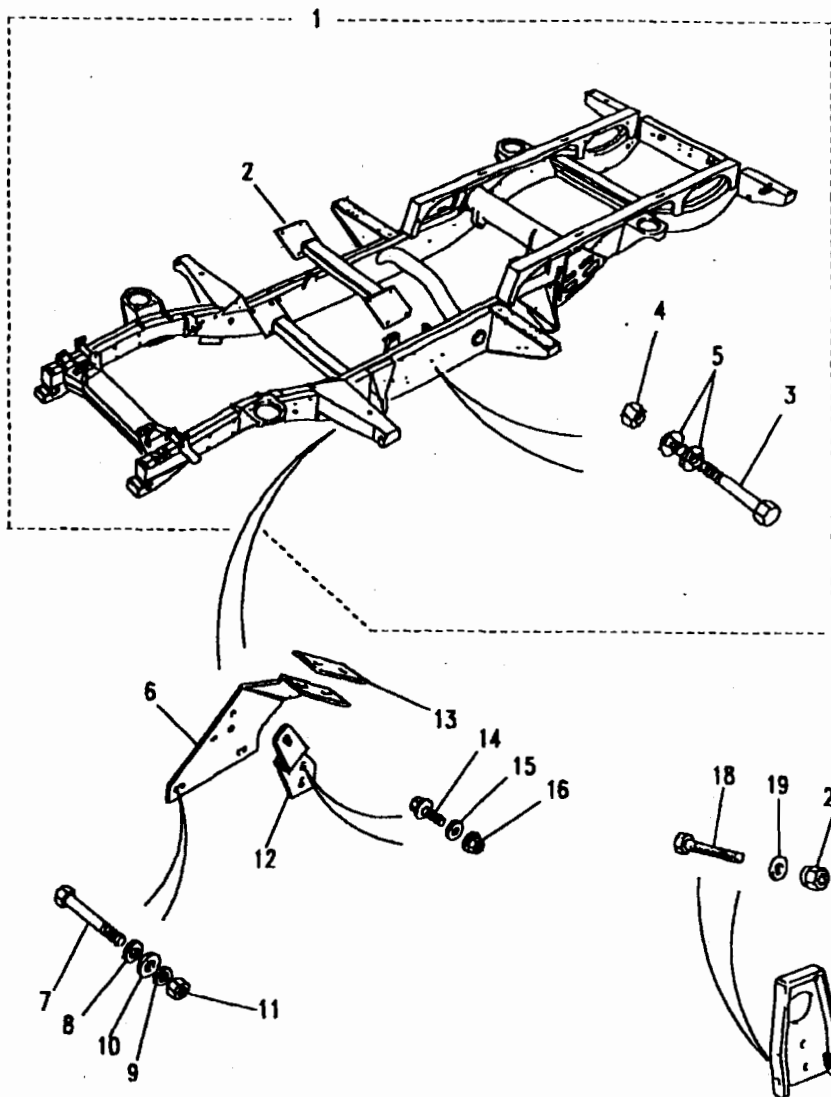




Model DEFENDER XD ALL VARIANTS
Page YDNXAA2A

CHASSIS - CHASSIS FRAME - 110

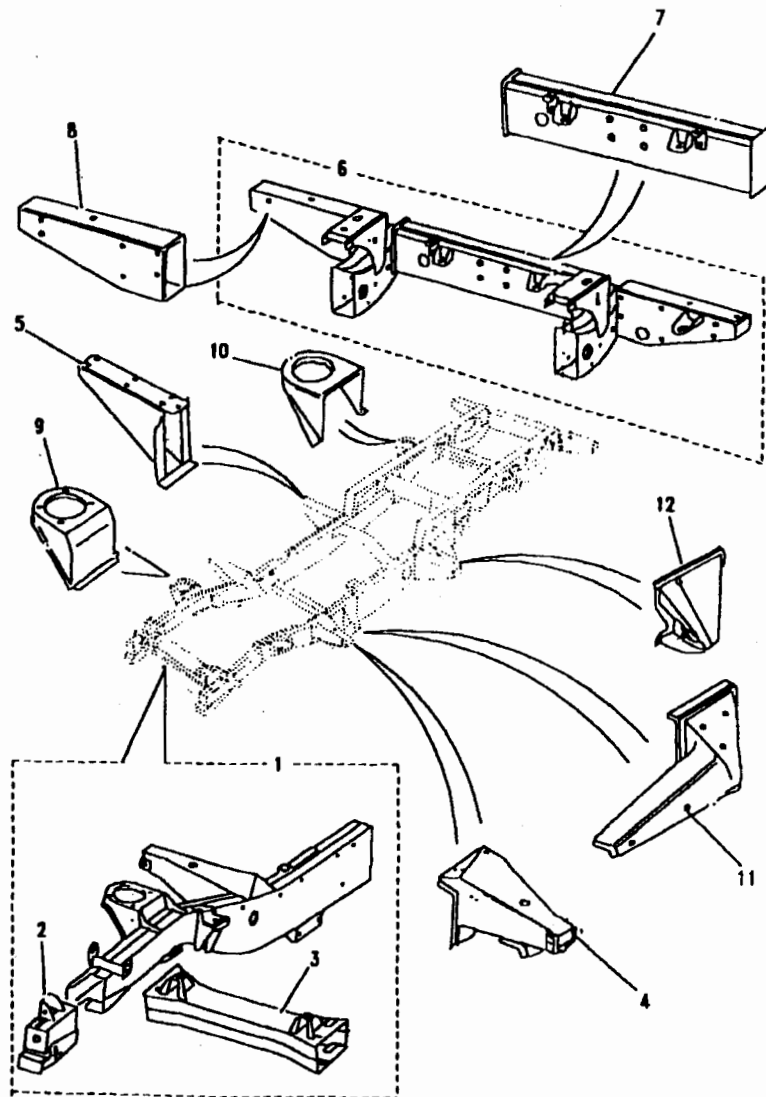
III. Part No.	Description	Qty	Remarks
1 ANR4195	Chassis assembly	1	Up to VA138479
KVD100150	Chassis assembly	1	From WA138480
2 ANR4215	Crossmember detachable	1	
3 BH110201L	Bolt M10 x 100	4	
4 FN110047	Nut M10	4	
5 217245	Washer plain M10	8	
6 NRC7435	Toe box support LH	1	
NRC7436	Toe box support RH	1	
7 BH108201L	Bolt M8 x 100	2	
8 WC108051L	Washer plain M8	2	
9 WL108001L	Washer spring M8	2	
10 WP185L	Washer plain	2	
11 FN108047L	Nut M8	2	
12 NRC7164	Support LH	1	
NRC7165	Support RH	1	
13 NRC7131	Packing piece	3	
14 FS108257L	Screw M8 x 25	2	
15 WC108051L	Washer plain M8	2	
16 FN108047L	Nut M8	2	
17 ANR3840	Bumper rear pressing	1	



Model DEFENDER XD ALL VARIANTS
 Pag YDNXAA3A

CHASSIS - CHASSIS FRAME - AMBULANCE

III. Part No.	Description	Qty	Remarks
1 ANR5266	Chassis assembly	1	Up to VA138479
KVD100240	Chassis assembly	1	From WA138480
2 ANR4215	Crossmember detachable	1	
3 BH110201L	Bolt M10 x 100	4	
4 FN110047	Nut M10	4	
5 217245	Washer plain M10	8	
6 NRC7435	Toe box support LH	1	
NRC7436	Toe box support RH	1	
7 BH108201L	Bolt M8 x 100	2	
8 WC108051L	Washer plain M8	2	
9 WL108001L	Washer spring M8	2	
10 WP185L	Washer plain	2	
11 FN108047L	Nut M8	2	
12 NRC7164	Support LH	1	
NRC7165	Support RH	1	
13 NRC7131	Packing piece	3	
14 FS108257L	Screw M8 x 25	2	
15 WC108051L	Washer plain M8	2	
16 FN108047L	Nut M8	2	
17 NRC4661	Bracket body support	2	
18 SH106201L	Screw M6 x 20	6	
19 WA106041L	Washer plain M6	6	
20 NH106041L	Nut nyloc M6	2	



Model DEFENDER XD ALL VARIANTS

Page YDNXAA4A

CHASSIS - CHASSIS REPAIR SECTIONS

III. Part No.	Description	Qty	Remarks
Replacement outriggers and crossmembers			
1	KVD100660	1	Chassis front quarter RH
	KVD100670	1	Chassis front quarter LH
2	KVF100160	1	Mounting bumper front RH
	KVF100170	1	Mounting bumper front LH
3	KVB100420	1	Crossmember front
4	KVU101460	1	Outrigger No1 RH
	KVU101470	1	Outrigger No1 LH
5	KVU101480	1	Outrigger No2 RH
	KVU101490	1	Outrigger No2 LH
	KVU101450	1	Outrigger No2
6	KVB100460	1	Crossmember assembly rear
	KVB100470	1	Crossmember assembly rear
	KVB100480	1	Crossmember assembly rear
7	KVB100410	1	Crossmember centre
8	KVU101360	1	Outrigger rear RH
	KVU101370	1	Outrigger rear LH
9	KVU101500	1	Spring seat front RH
	KVU101510	1	Spring seat front LH
10	KVU101520	1	Spring seat rear
	KVU101530	1	Spring seat rear
11	KVU101540	1	Bracket C spanner RH
	KVU101560	1	Bracket C spanner RH
	KVU101550	1	Bracket C spanner LH
	KVU101570	1	Bracket C spanner LH
12	KVU101580	1	Bracket rear link RH
	KVU101590	1	Bracket rear link LH

Rustproofing sealants

STC4357	Cavity wax Dinol 3654	A/R)1 ltr
STC4371	Penetrant Dinol 3125	A/R)
STC4372	Underbody wax Dinol 4941	A/R)



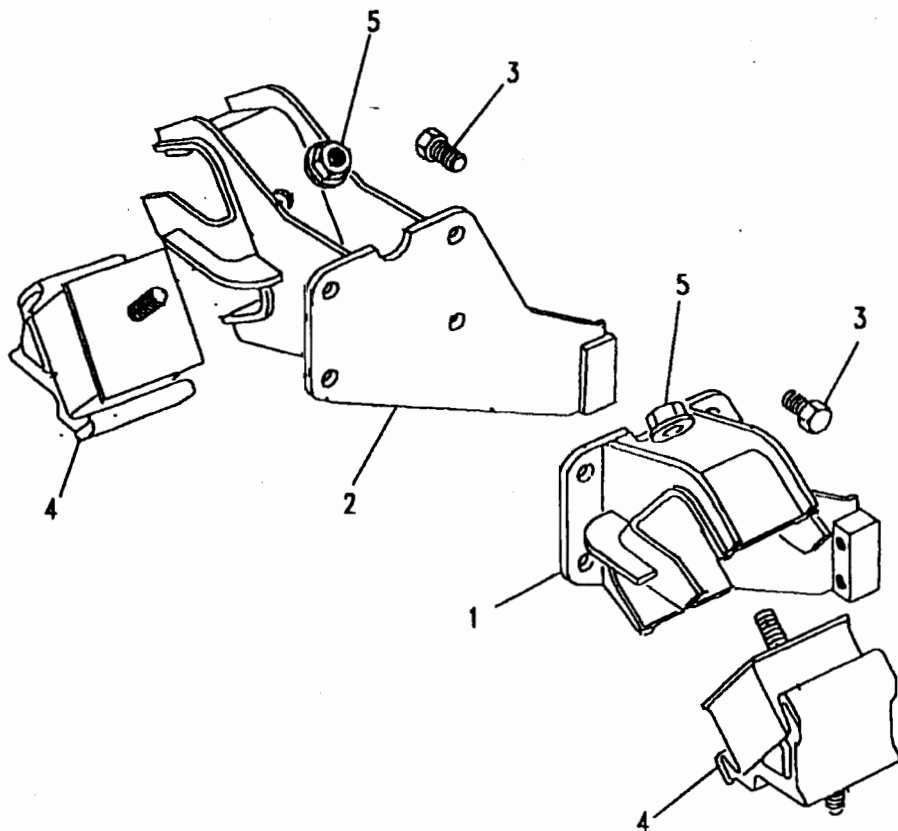
Model DEFENDER XD ALL VARIANTS
Page YDNXAB2A

CHASSIS - ENGINE MOUNTINGS

III. Part No. Description Qty Remarks

Engine/transmission mounting brackets - front
1 ANR3547 Bracket engine mount LH 1
2 ANR3548 Bracket engine mount RH 1
3 SH112201 Screw M12 x 20 4

Rubber mountings
4 NTC9416 Mounting rubber 2
5 FX112041L Nut M12 4



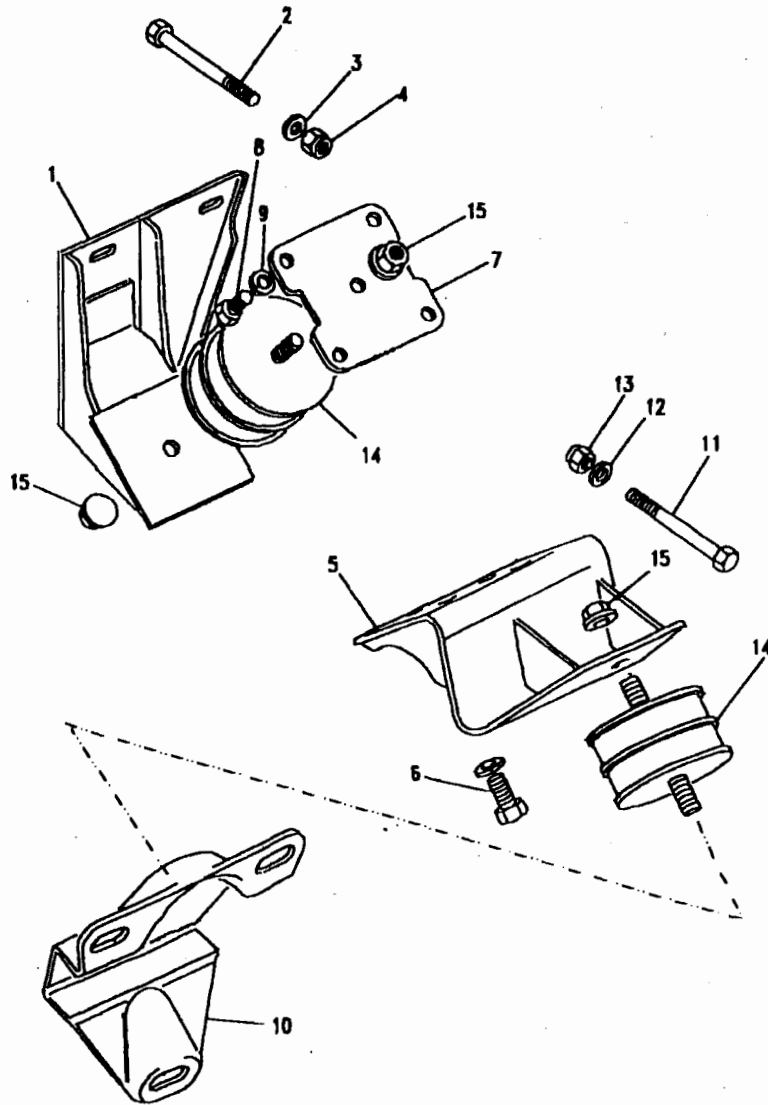
J

Model DEFENDER XD ALL VARIANTS

Page YDNXAB1A

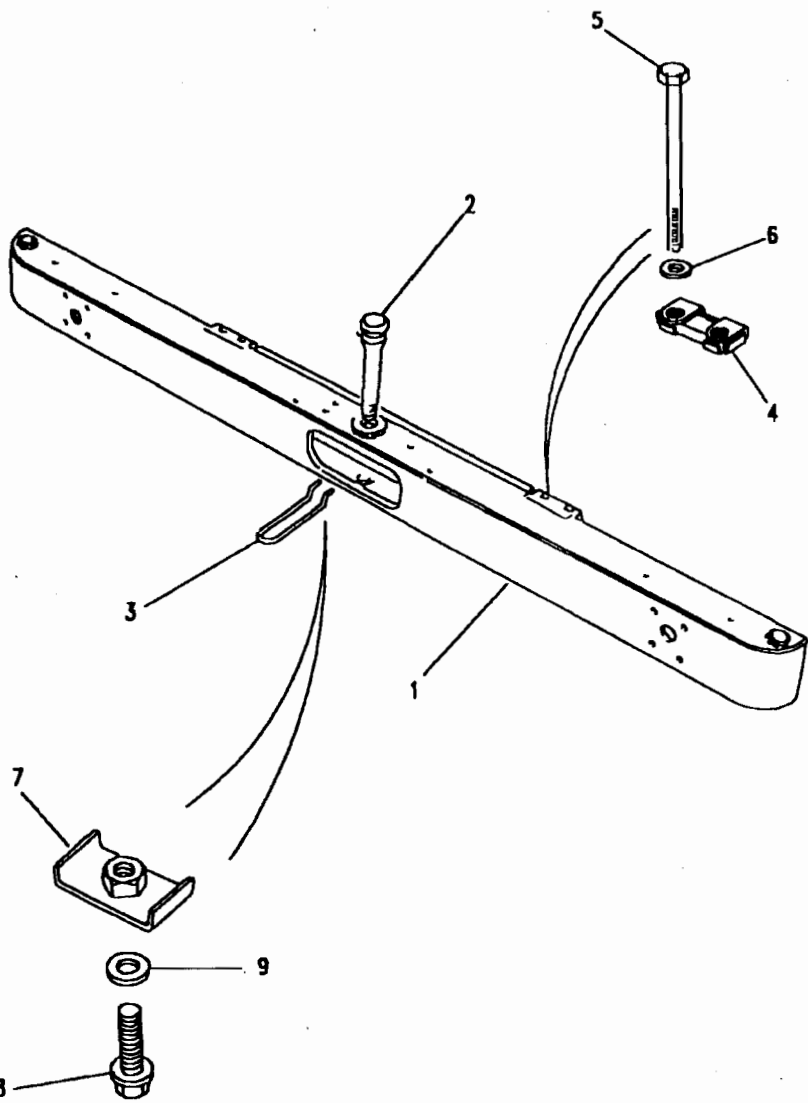
CHASSIS - TRANSMISSION MOUNTINGS

III. Part No.	Description	Qty	Remarks
Engine/transmission mounting brackets - rear			
1	ANR2818	1	Bracket mounting RH
2	BH108201L	3	Bolt M8 x 100
3	WA108051L	6	Washer plain M8
4	NY108041L	3	Nut nyloc M8
5	ANR4615	1	Adaptor mounting LH
6	SH112251L	4	Screw M12 x 25
7	ANR2819	1	Adaptor mounting RH
8	SH112251L	4	Screw M12 x 25
9	WL112001L	4	Washer spring M12
10	ANR2820	1	Bracket mounting LH
11	BH108201L	3	Bolt M8 x 100
12	WA108051L	6	Washer plain M8
13	NY108041L	3	Nut nyloc M8
Rubber mountings			
14	ANR2805	2	Mounting rubber
15	FX112041L	4	Flange nut



Model DEFENDER XD ALL VARIANTS
 Page YDNXAC1A

BODY - BUMPER - FRONT



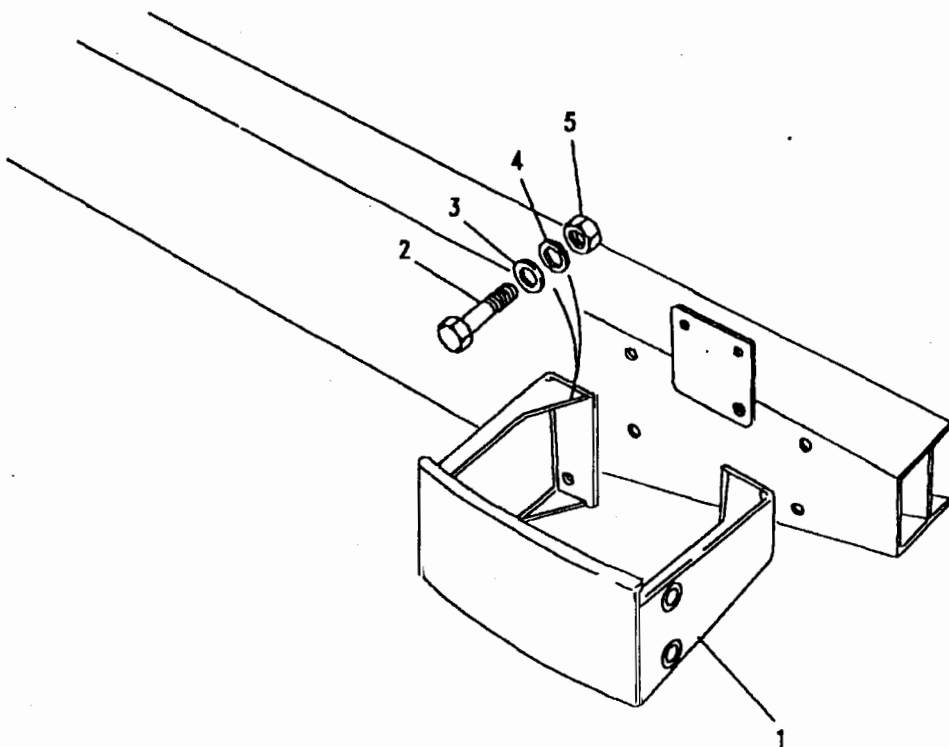
III. Part No.	Description	Qty	Remarks
1 RRC6195	Bumper front	1	
DPB104360	Bumper front	1	Waterproof
2 RRC6681	Pin towing	1	
3 RRC6682	Spring towing pin	1	
4 NRC6994	Tapping block assy	2	
5 NTC5401	Bolt	4	
6 WA110061L	Washer plain M10	4	Up to VA126097
DYF100760	Washer plain M10	4	From VA126098
7 RRC6683	Bracket spring retaining	1	
8 FS106167L	Screw M16 x 16	1	
9 WA106001L	Washer M6	1	

Model DEFENDER XD ALL VARIANTS

Page YDNXAG1A

BODY - BUMPERS - REAR

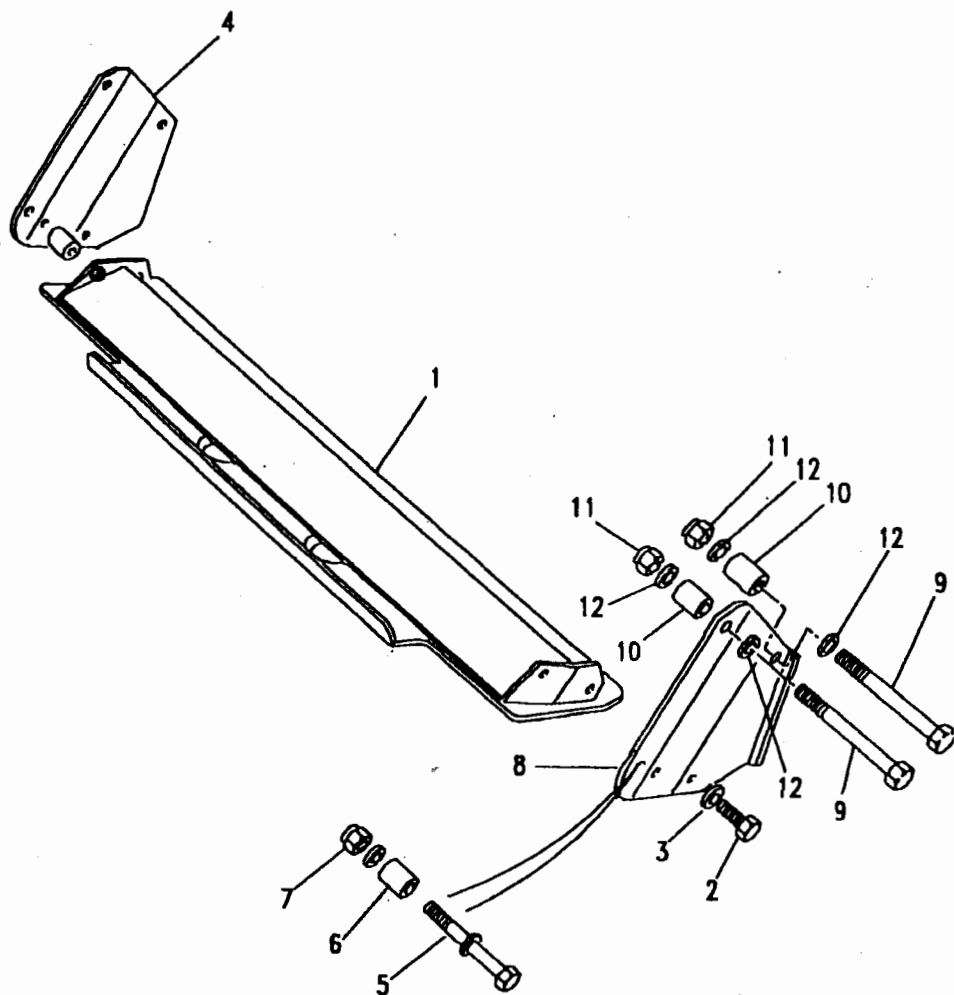
Ill. Part No.	Description	Qty	Remarks
1	RRC5410 RRC5409	1 1	
2	BH110221L	8	
3	WA110068L	8	Black
4	WA110061L	8	
5	NY110047L	8	



Model DEFENDER XD ALL VARIANTS
 Page YDNXA11A

BODY - STEERING GUARD

III. Part No.	Description	Qty	Remarks
1	ANR3515	1	Guard plate steering
2	SH110251L	4	Screw M10 x 25
3	WC110067L	4	Washer plain M10
4	ANR3516	1	Side plate RH
5	BH110281L	2	Bolt
6	ANR2890	3	Spacer
7	NY110047L	2	Nut M10
8	ANR3517	1	Side plate LH
9	253952	2	Bolt
10	NRC5627	1	Spacer
11	NY608041L	2	Nut
12	WA112081L	4	Washer plain M12

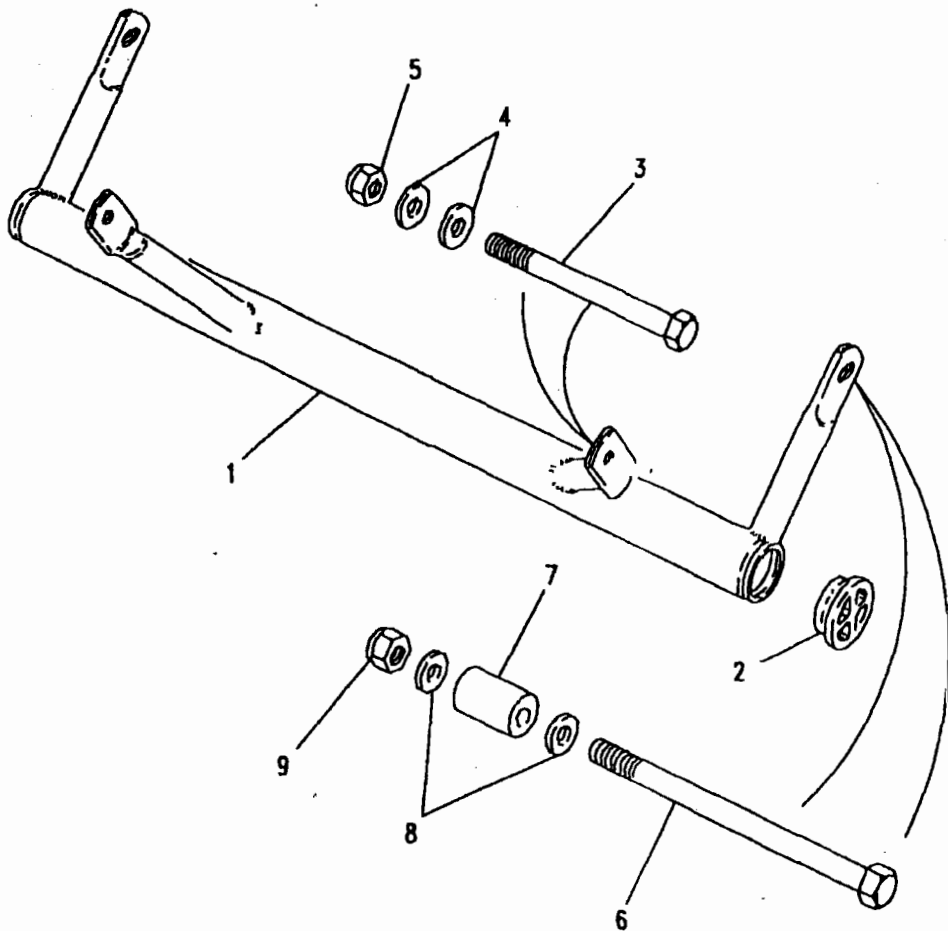


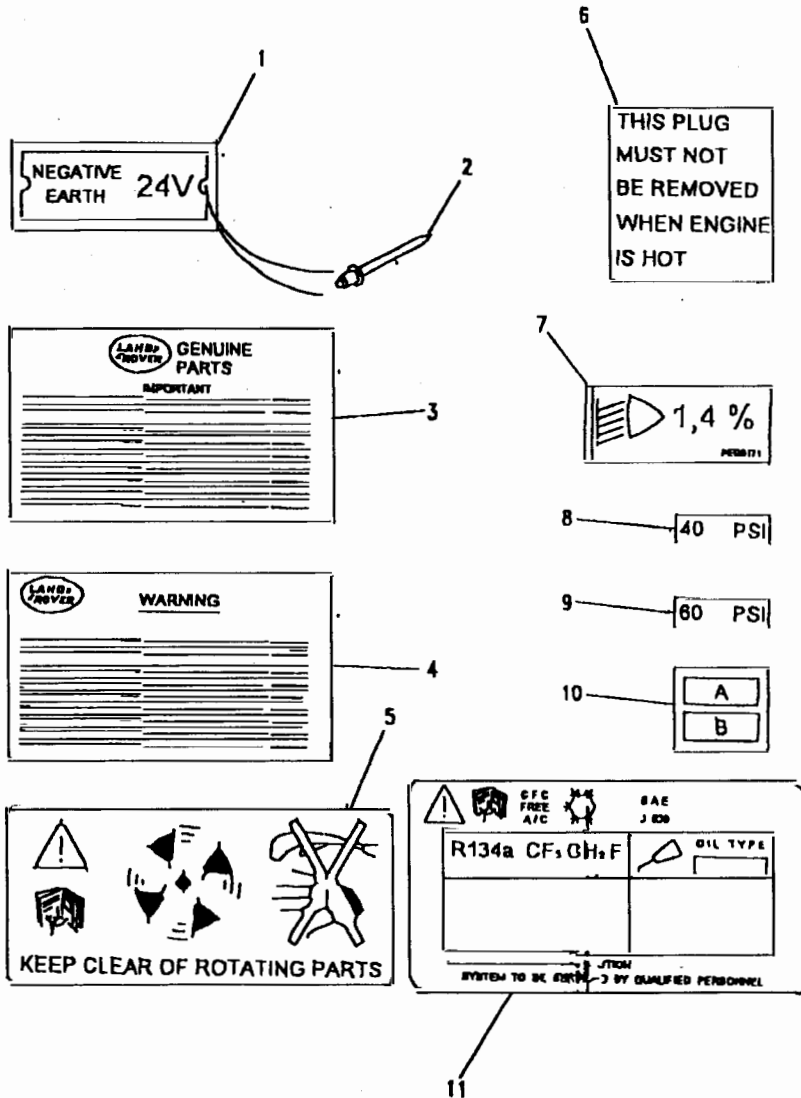
Model DEFENDER XD ALL VARIANTS
 Page YDNXA12A

BODY - STEERING PROTECTION BAR - AMBULANCE

III. Part No.	Description	Qty	Remarks
1	NRC7009	1	
2	NRC5886	2	
3	BH110281L	2	Note(1)
4	WA110061L	4	
5	NY110047L	2	
6	253948	2	
7	NRC5627	2	
8	WC112081 2205	2	
9	NY608041L	2	

Note(1) Also retains front lifting/lashing ring.





Model DEFENDER XD ALL VARIANTS
Page YDNXBV1A

BODY - LABELS

III. Part No. Description Qty Remarks

Labels - general instruction

1	598701	Plate negative earth 24V	1	
2	RU608123L	Rivet plate fixing	2	
3	BTR358	Label genuine parts	1	
4	BTR2308	Label warning diff lock	1	Note(1)
5	MWC1691	Label rotating parts	1	
6	MRC7253	Label warning rad plug	1	
7	PRC8171	Label headlamp levelling	1	

Labels - tyre pressure - ambulance

8	STC4364	Label 40 psi	2	
9	STC4365	Label 65 psi	2	

Label - wading preparation - waterproof vehicles

10	STC4367	Label A & B	1	
----	---------	-------------	---	--

Label - air-conditioning - tropical ambulance

11	BAC103710	Label air-con charge wt	1	
----	-----------	-------------------------	---	--

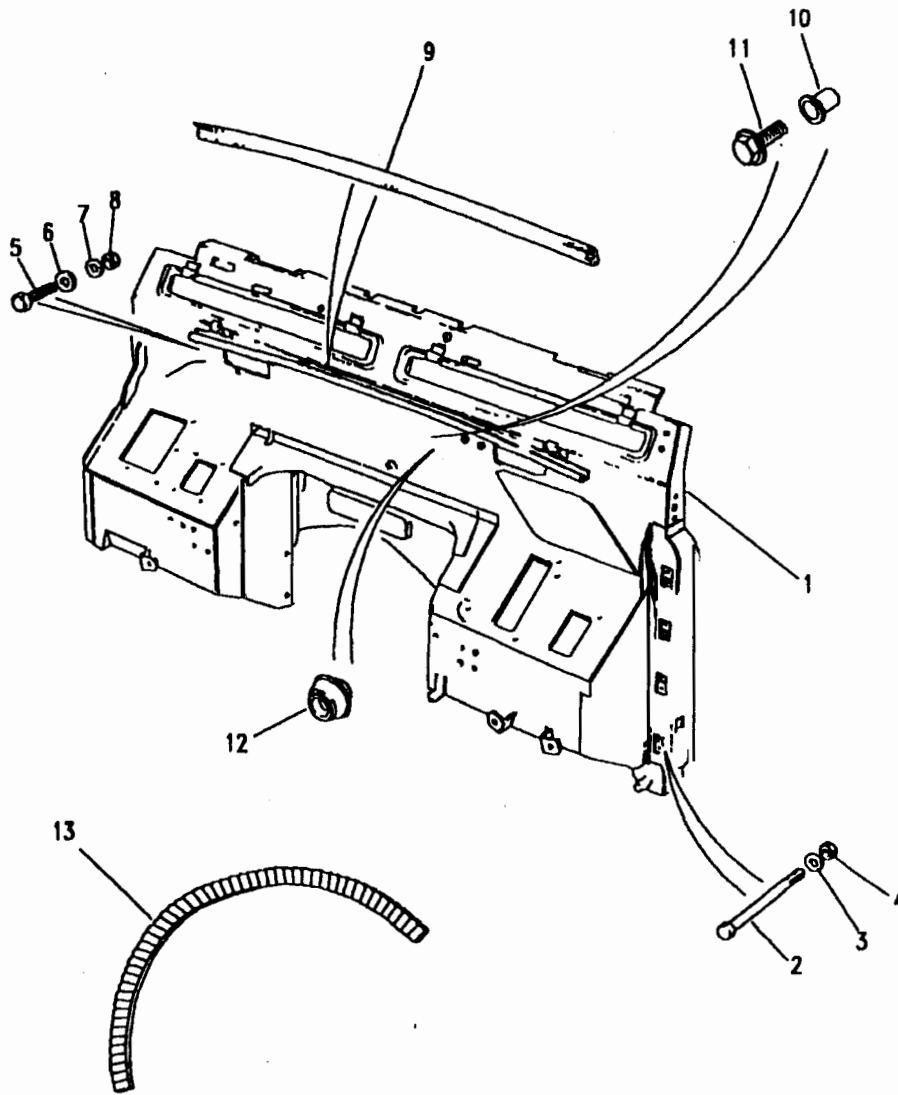
Note(1) Located on front of fuse box cover.
 Note(2) For fuse label see fuse box interior.
 Note(3) For ambulance interior labels, see appropriate sections.

Model DEFENDER XD ALL VARIANTS
Page YDNXCC1A

BODY - DASH ASSEMBLY

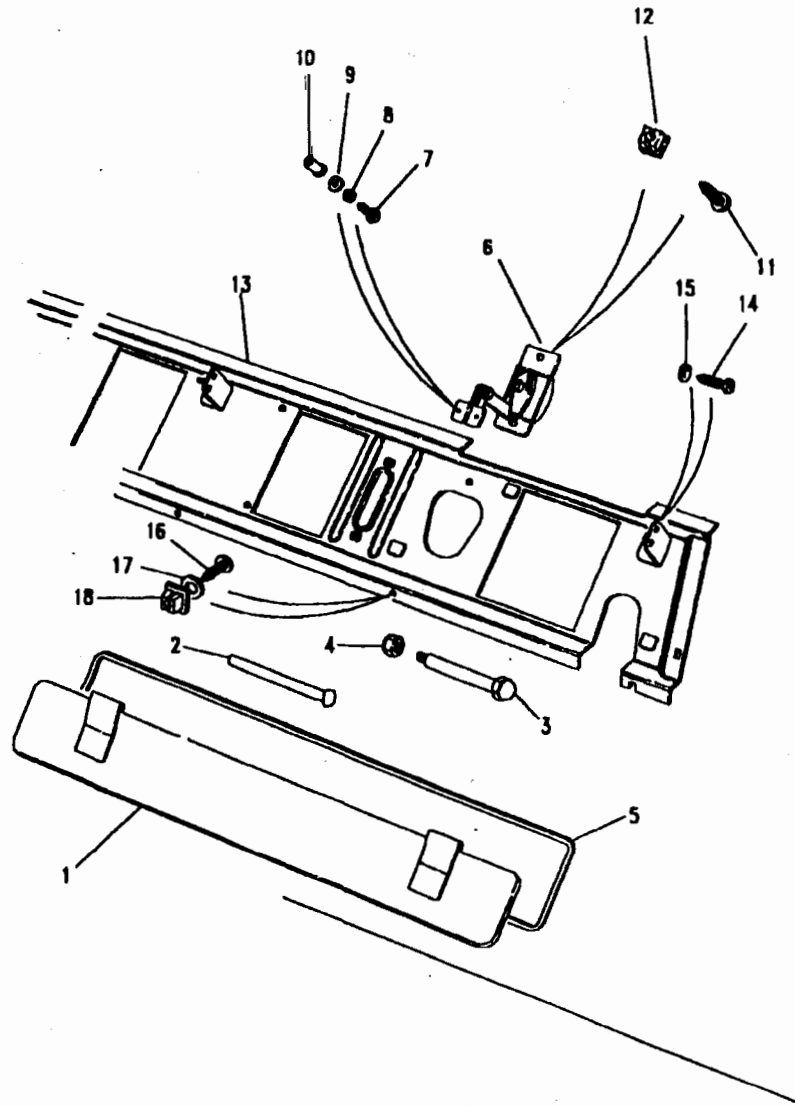
III. Part No.	Description	Qty	Remarks
1	ASR1532	1	RH Stg
	ASR1533	1	LH Stg
	AHA710100	1	Winterised
2	MRC9420	2	
3	WA112081L	10	
4	NY112041L	2	
5	AFU1499	4	
6	WC108051L	4	
7	WL108001L	4	
8	FN108047L	4	
9	MWC2567	1	
10	NN106021	1)Note(1)
11	SH106121L	1)
12	338015	2	
13	MUC4138	1	

Note(1) Winterised vehicles - dash supplied without earth stud, replace with nutsert NN106021 and screw SH106121L if required.



Model DEFENDER XD ALL VARIANTS
 Page YDNXCC2A

BODY - DASH ASSEMBLY



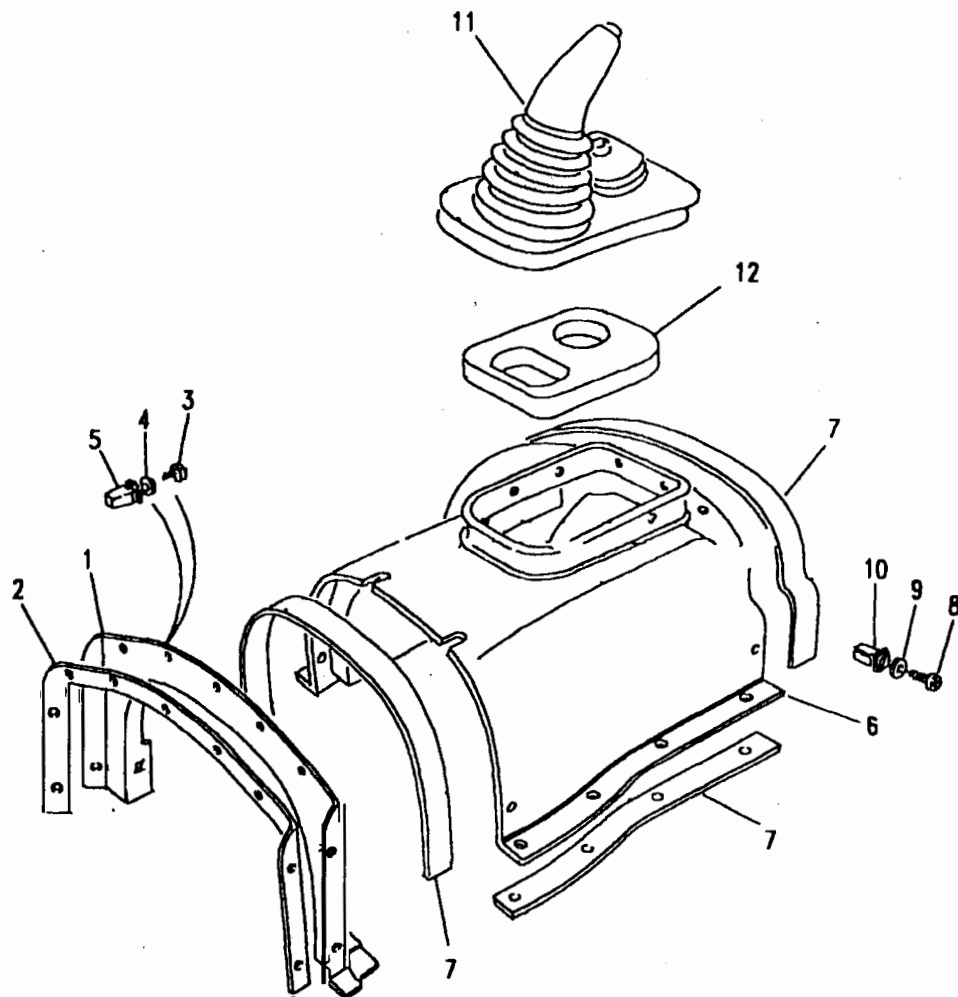
III. Part No.	Description	Qty	Remarks
1	ASR1154	1	
	ASR1153	1	
2	334121	4	Up to VA138479
3	AIO710010	4	From WA138480
4	AYH100810	4)
5	ALR2220	4)
6	346576	2	
7	SH105121L	2	
8	WC105001L	4	
9	WL105001L	4	
10	ASR1185	4	
11	DA610051L	4	
12	RTC3745	4	
13	RRC6999	1	
	RRC7000	1	
14	AB608031L	6	
15	WA105001L	6	
16	AB608051L	5	Up to TA995877
	DA610051	5	From TA995878
17	AFU1257	5	
18	RTC3745	5	

Model DEFENDER XD ALL VARIANTS

Page YDNXCE1A

BODY - GEARBOX DIAPHRAGM & TUNNEL

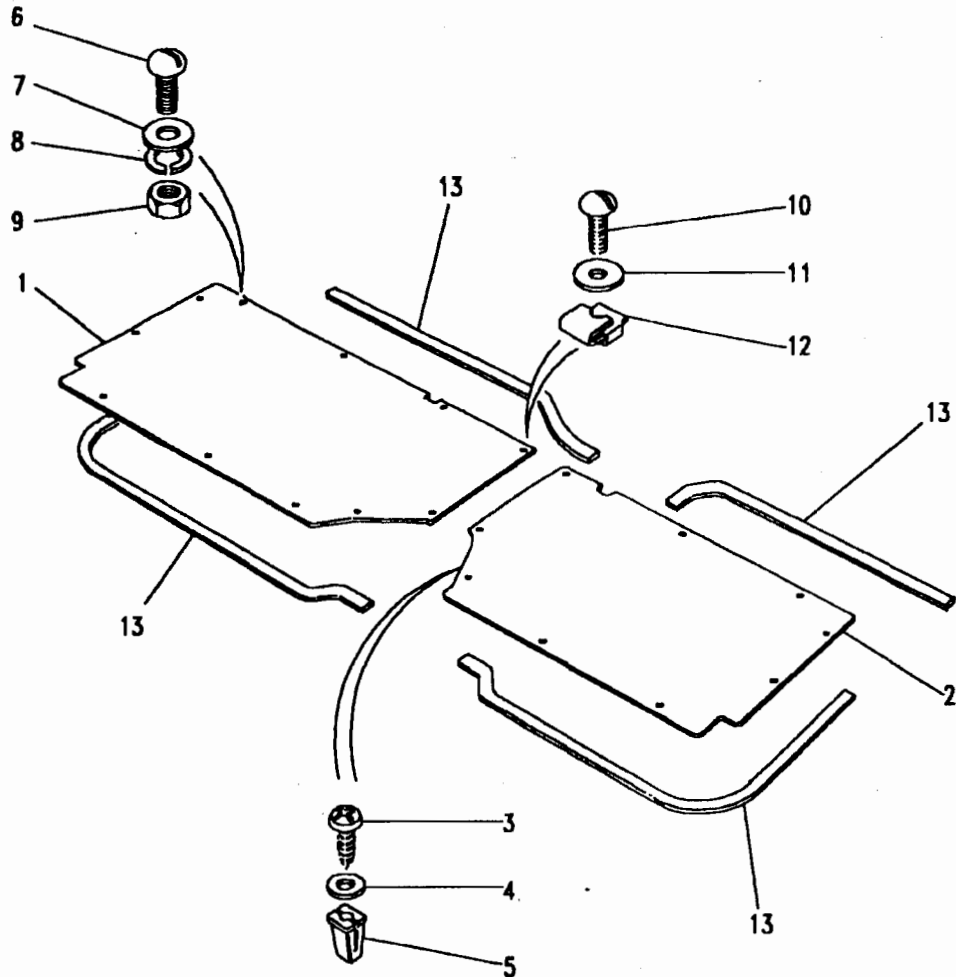
III. Part No.	Description	Qty	Remarks
1	RTC6826	1	
2	MRC8626	A/R	
3	AB614061L	9	
4	MRC5527	9	
5	RTC3744	9	NLA use CZA4705L
	CZA4705L	9	
6	ALR7005	1	
	ADF710030	1	
7	MUC1237	1	Winterised
		A/R	
8	AB614081L	15	
9	MRC5527	15	
10	RTC3744	15	NLA use CZA4705L
	CZA4705L	15	
11	BTR1698	1	
12	MTC6872	1	



Model DEFENDER XD ALL VARIANTS
 Page YDNXCG1A

BODY - FLOOR PLATES

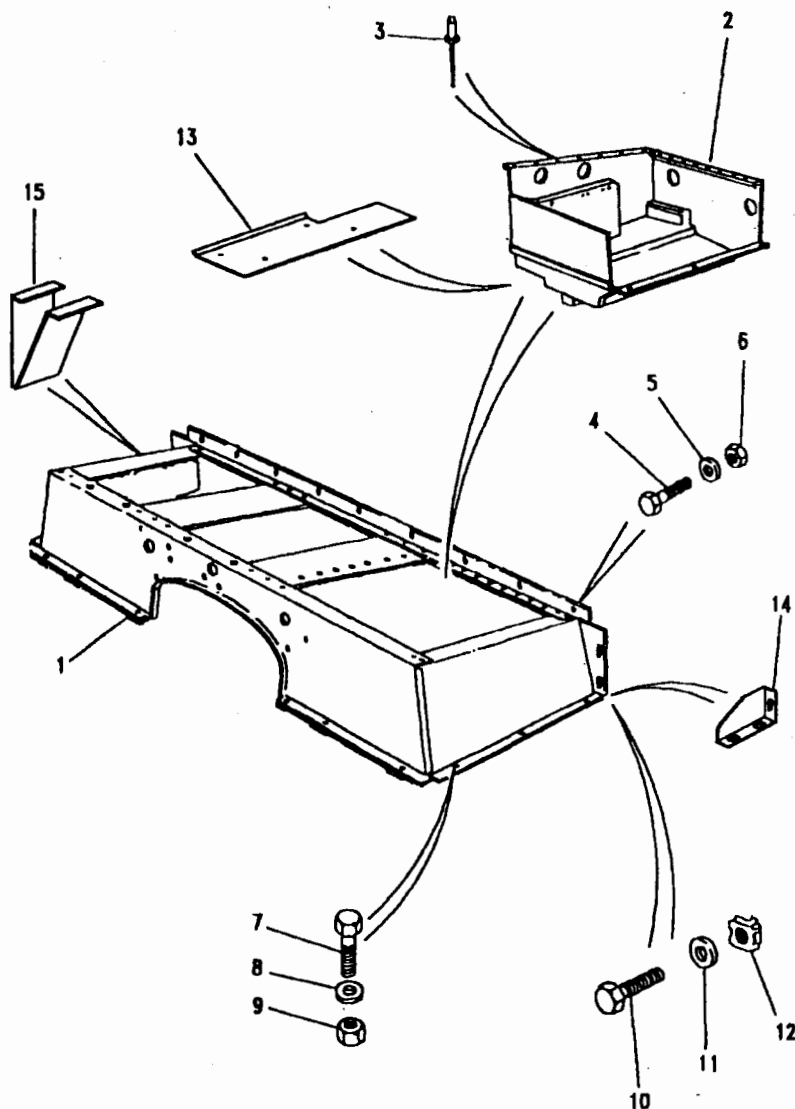
III. Part No.	Description	Qty	Remarks
1	ALR1742	1	
2	ALR1743	1	
3	AB614061L	5	
4	MRC5527	5	
5	RTC3744	5	NLA use CZA4705L
	CZA4705L	5	
6	SE106201L	4	
7	WC106041L	4	
8	WA106041L	4	
9	NY106047L	4	
10	320045	5	
11	WC106041L	5	
12	AL614011	5	
13	MRC8626	A/R	1.6m length



Model DEFENDER XD ALL VARIANTS

Page YDNXC11A

BODY - SEAT BASE - 90



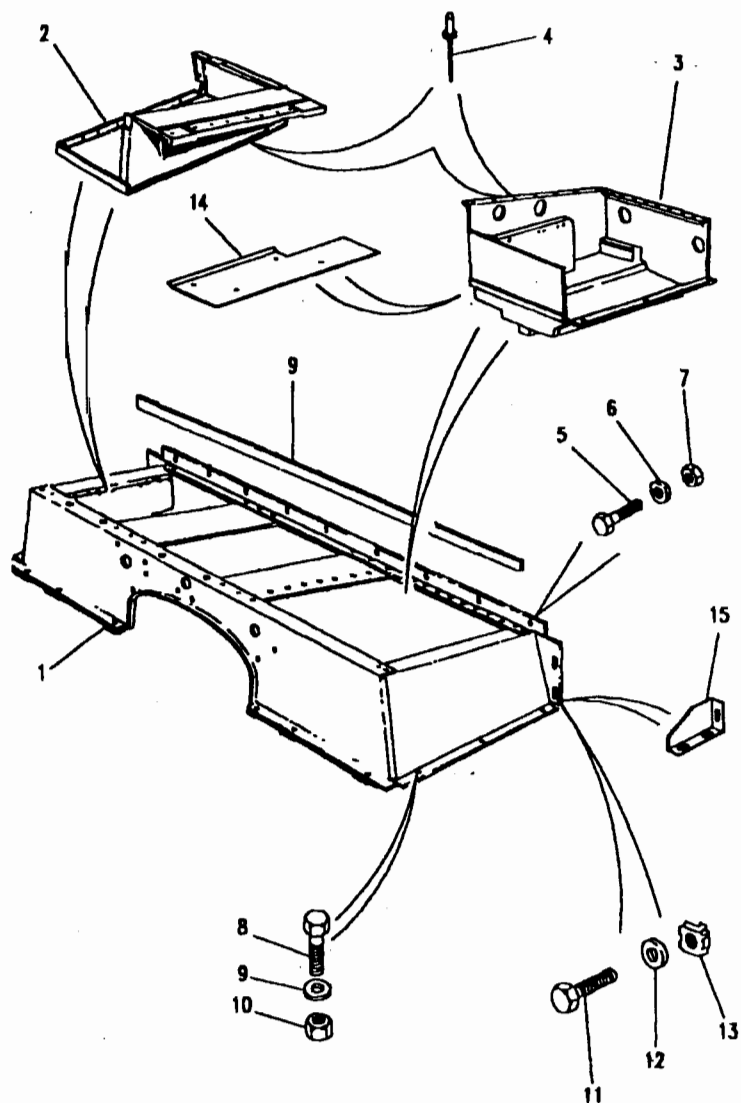
III. Part No.

Part No.	Description	Qty	Remarks
1	ALR7510	1	Seat base assy
	AXL710020	1	Seat base assy
2	MXC8556	1	Tray battery
	YJC100920	1	Tray battery
3	78248	25	Rivet
4	FS106207L	5	Screw hex hd M6 x 20
	SE106251	2	Screw pan hd M6 x 25
5	WC106041L	7	Washer plain M6
6	NY106047L	7	Nut nyloc M6
7	FS106207L	8	Screw M6 x 20
8	WL106041L	16	Washer spring M6
9	NY106047L	8	Nut nyloc M6
10	FS106207L	4	Screw M6 x 20
11	WC106041L	4	Washer plain M6
12	NK106081	4	Nut grip M6
13	RRC8703	1	Plate harness protection
14	ASR1860	1	Bracket reinforcing RH
	ASR1861	1	Bracket reinforcing LH
15	IPU100150	1	Bracket heater pipe

Model DEFENDER XD ALL VARIANTS

Page YDNXC11B

BODY - SEAT BASE - 110



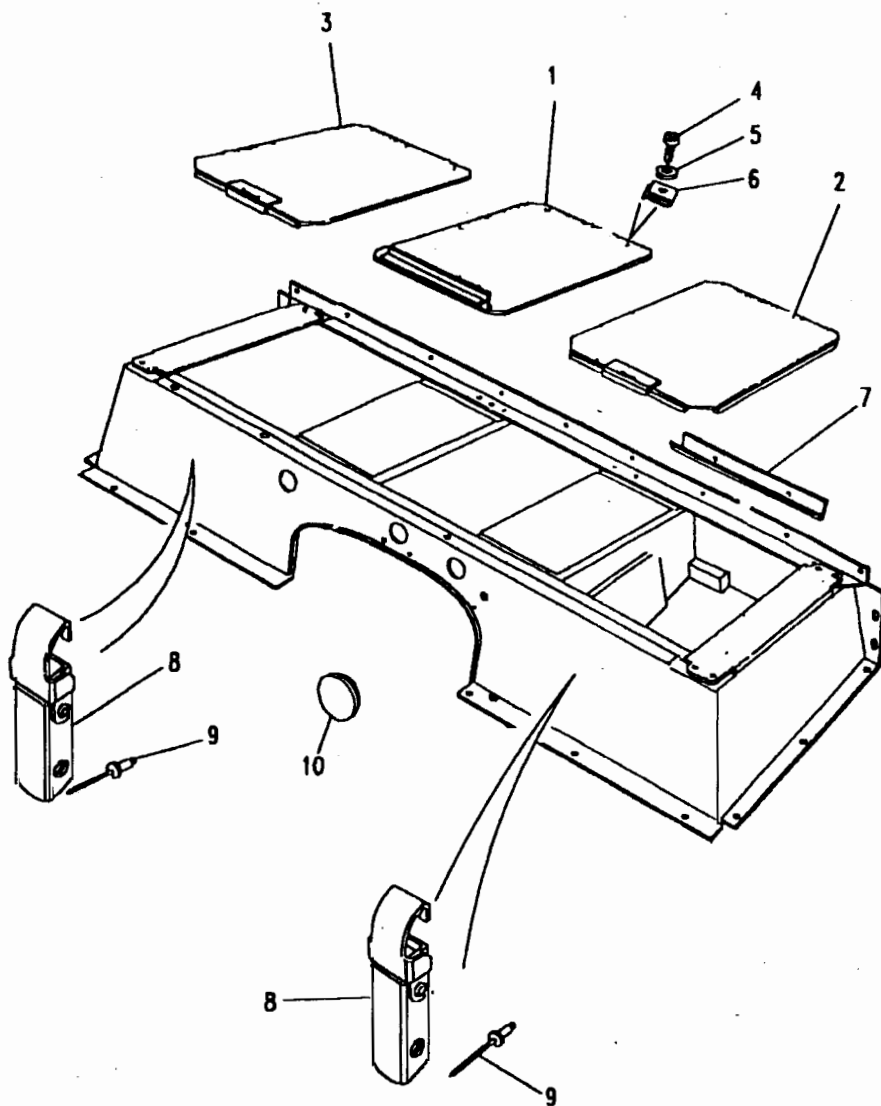
III. Part No.	Description	Qty	Remarks
1	ALR7228	1	Seat base assy
	AXL710010	1	Seat base assy
2	ALR9346	1	Tool locker
3	MXC8556	1	Tray battery
	YJC100920	1	Tray battery
4	78248	1	Rivet
5	FS106207L	A/R	Screw hex hd M6 x 20
	SE106251	5	Screw pan hd M6 x 25
6	WC106041L	2	Washer plain M6
7	NY106047L	7	Nut nyloc M6
8	FS106207L	7	Nut nyloc M6
9	WL106041L	8	Screw M6 x 20
10	NY106047L	16	Washer spring M6
11	FS106207L	8	Nut nyloc M6
12	WC106041L	4	Screw M6 x 20
13	NK106081	4	Washer plain M6
14	RRC8703	4	Nut grip M6
15	ASR1860	1	Plate harness protection
	ASR1861	1	Bracket reinforcing RH
		1	Bracket reinforcing LH

Model DEFENDER XD ALL VARIANTS

Page YDNXC12A

BODY - SEAT BASE COVERS & FITTINGS

III. Part No.	Description	Qty	Remarks
1 ALR5111	Cover centre	1	
2 ALR5110	Cover battery access	1	
3 ALR5114	Cover fuel tank/tool box	1	
4 AB610055	Screw	4	
5 WC106041L	Plain Washer	4	
6 53K3039L	Spire Nut	4	
7 MXC6338	Angle locating	2	
8 MRC8388	Catch overcentre	2	
9 RU608313L	Rivet	2	
10 338017	Plug blanking 14.5mm	6	



Model DEFENDER XD ALL VARIANTS
Page YDNXC13A

BODY - SEAT BASE KIT RETENTION

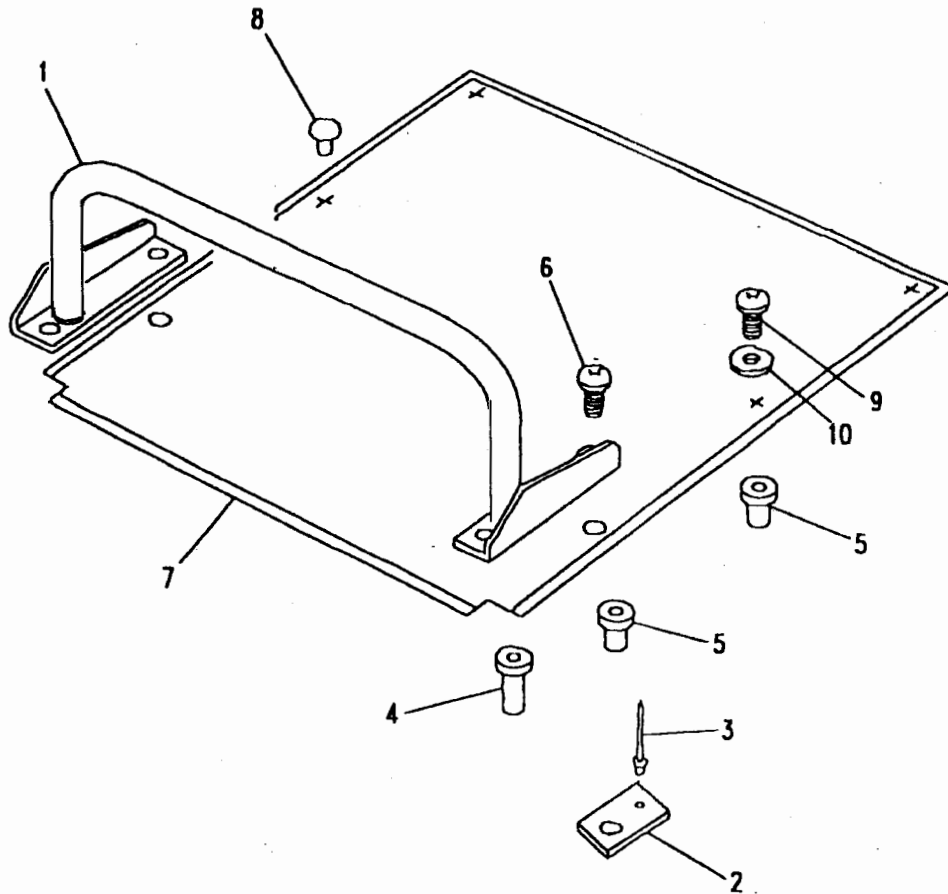
III. Part No. Description Qty Remarks

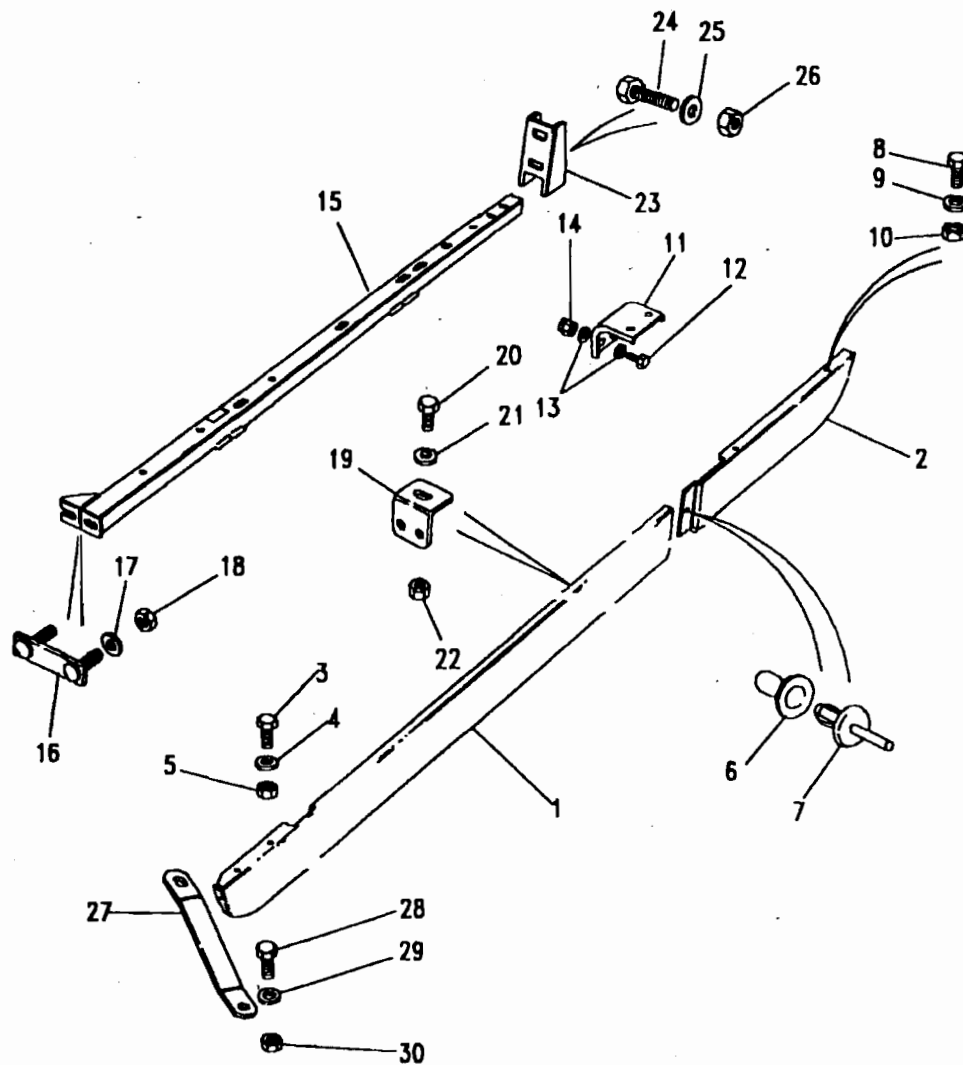
Vehicles without EGR - with stowage mat between seats

1	RRC8365	Bar kit retention	1	
2	MUC7947	Nut plate M8	4)Up to VA102315
3	RU608313L	Rivet	4)
4	AWR4731	Nutsert M8 - long - front	2)From VA102316
5	RRC8666	Nutsert M8 - short - rear	4)
6	SE108201L	Screw pan hd M8 x 20	4	
7	RRC8378	Mat kit stowage	1	
8	AFU1897LDE	Fastener	4	Up to VA102315
9	SE108201L	Screw pan hd M8 x 20	4)From VA102316
10	WA108051L	Washer M8	4)

Vehicles with EGR - with ECU box assembly between seats

1	RRC8365	Bar kit retention	1	
4	AWR4731	Nutsert M8 - long - front	2)Fixing bar
5	RRC8666	Nutsert M8 - short - rear	2)
6	FS108207L	Screw flanged M8 x 20	4)





Model DEFENDER XD ALL VARIANTS

Page YDNXCK1A

BODY - SILL PANELS - 90

Ill. Part No.	Description	Qty	Remarks
Sill panels			
1	RTC6205	1	Sill panel front RH
	RTC6206	1	Sill panel front LH
2	ALR8084	1	Sill panel rear RH
	ALR8083	1	Sill panel rear LH
Fixings - front sill panels			
3	SH106161L	3	Screw M6 x 16
4	WA106041L	6	Washer plain M6
5	NY106047L	3	Nut nyloc M6
6	MWC9917	1	Snapsac
7	MWC9918LCS	1	Lokut
Fixings - rear sill panels			
8	SH106161L	4	Screw M6 x 16
9	WA106041L	8	Washer plain M6
10	NY106047L	4	Nut nyloc M6
11	ALR6468	2	Bracket channel to panel
12	FS106207L	4	Screw M6 x 20
13	WC106041L	8	Washer plain M6
14	NY106047L	4	Nut nyloc M6

Model DEFENDER XD ALL VARIANTS

Page YDNXCK1A

BODY - SILL PANELS - 90

III. Part No. Description Qty Remarks

Sill channels

15	ALR9818	Sill channel RH	1
	ALR9819	Sill channel LH	1

Fixings - sill channels

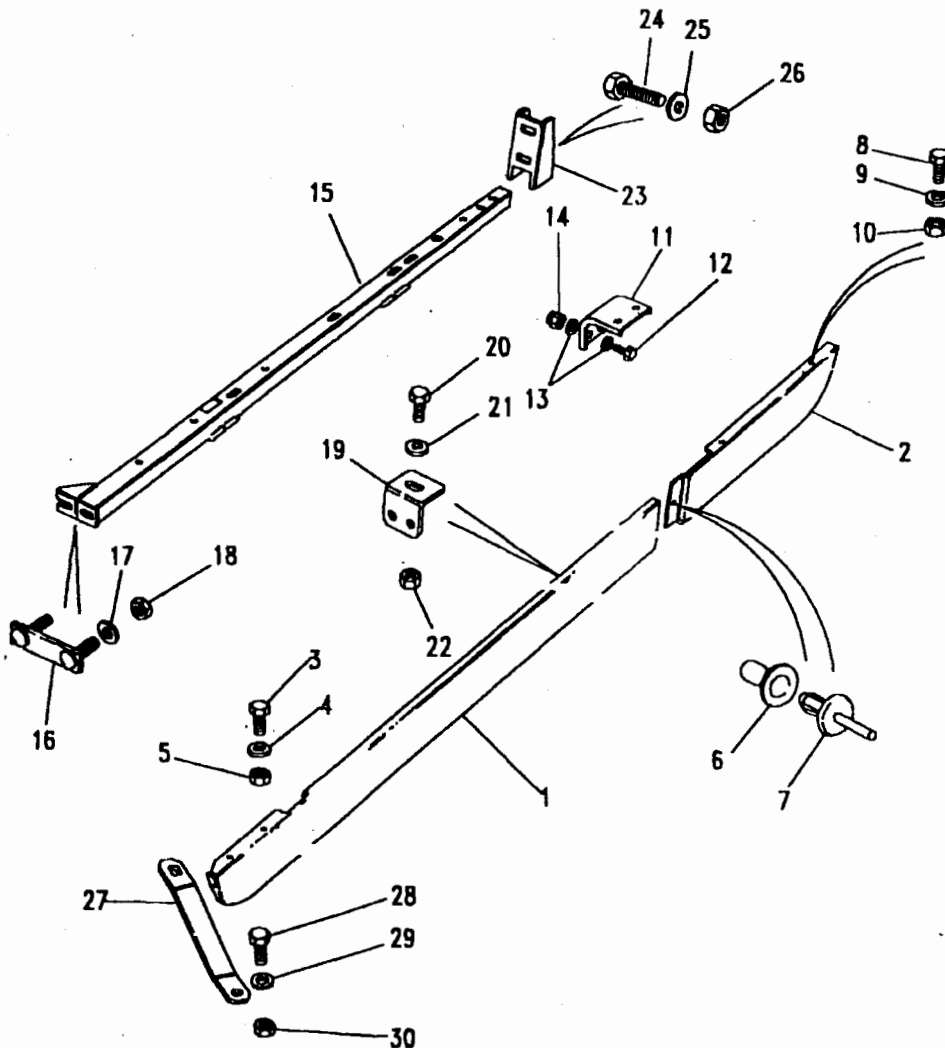
16	ASR2352	Bolt plate	2
17	WC108051L	Washer plain	2
18	NY108041L	Nut nyloc	2
19	MRC9438	Bracket mounting	4
20	SH106201	Screw M6 x 20	4
21	MRC5525	Washer plain	8
22	NY106047L	Nut nyloc M6	4
23	347436	Bracket mounting	2
24	FS108207L	Screw M8 x 20	4
25	WA108051L	Washer plain M8	8
26	NY108041L	Nut nyloc M8	4

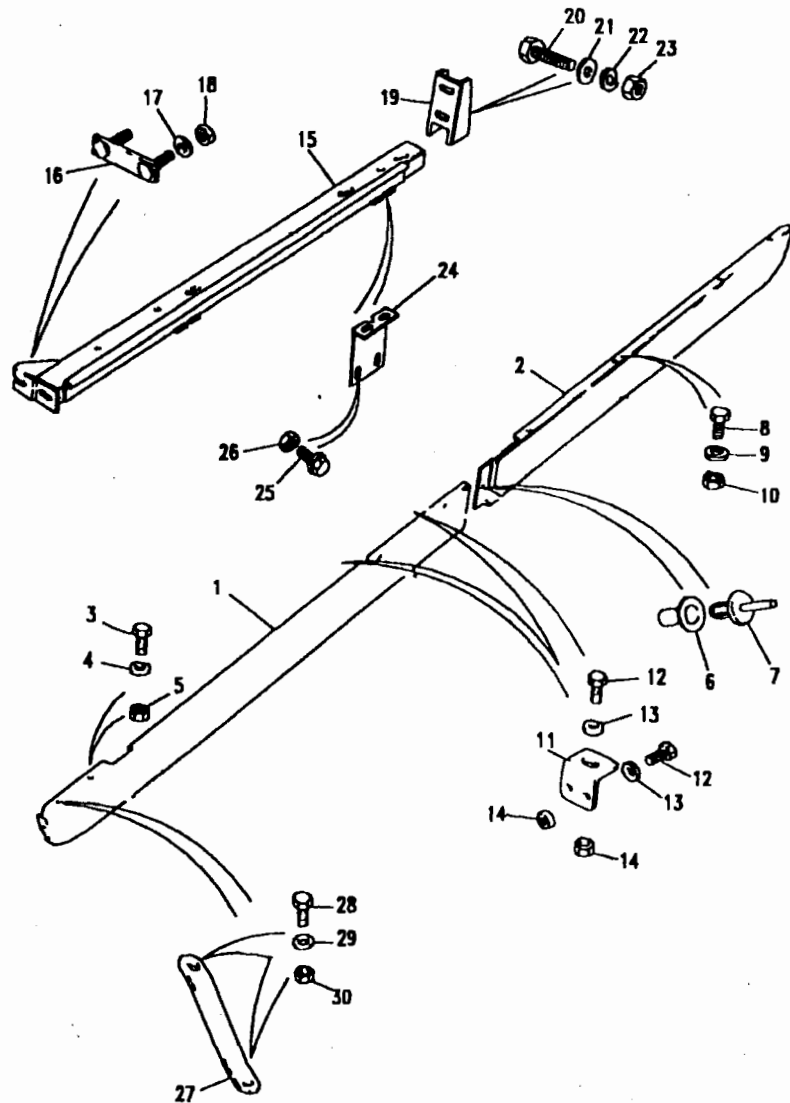
Front stays & fixings

27	MRC5153	Stay front	2
28	SE106201L	Screw M6 x 20	4
29	MRC5525	Washer plain	8
30	NY106047L	Nut nyloc M6	4

Sill panel foam sealing strip

ALR6281	Seal rubber self adhesive	2	10mm x 10mm
---------	---------------------------	---	-------------





Model DEFENDER XD ALL VARIANTS

Page YDNXCK2A

BODY - SILL PANELS - 110

Ill. Part No. Description Qty Remarks

Sill panels

1	RTC6205	Sill panel front RH	1
	RTC6206	Sill panel front LH	1
2	ALR8086	Sill panel rear RH	1
	ALR8085	Sill panel rear LH	1

Fixings - front sill panels

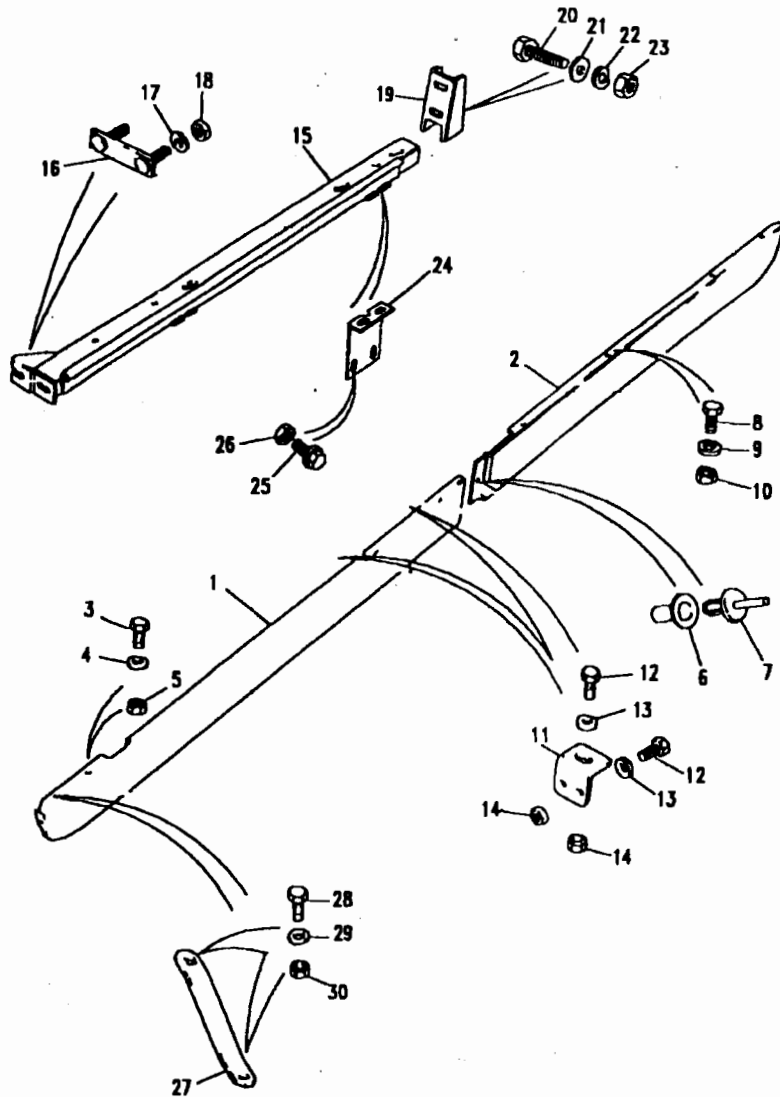
3	SH106161	Screw M6 x 16	3
4	WA106041	Washer plain M6	6
5	NY106047L	Nut nyloc M6	3
6	MWC9917	Snapsac	1
7	MWC9918LCS	Lockut	1

Fixings - rear sill panels

8	SH106161	Screw M6 x 16	3
9	WA106041	Washer plain M6	6
10	NY106047L	Nut nyloc M6	3

Fixings - channels to panels

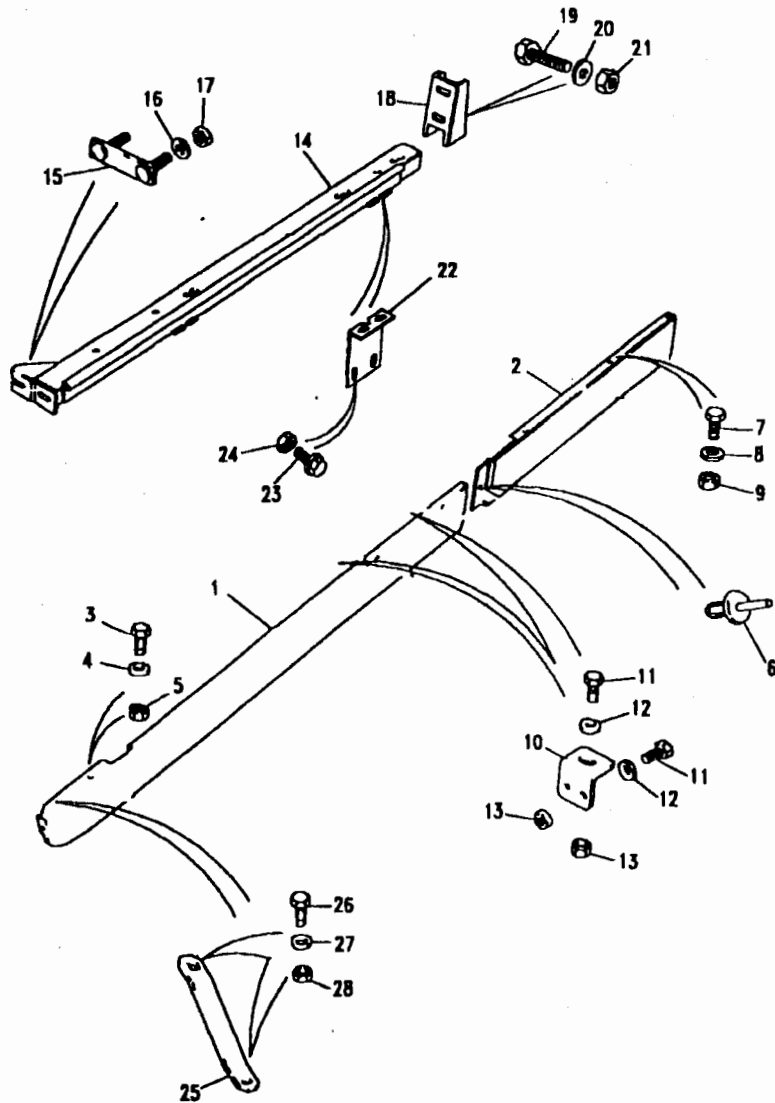
11	MRC9438	Bracket	2
12	SH106201	Screw M6 x 20	2
13	MRC5525	Washer plain	2
14	NY106047L	Nut nyloc M6	2



Model DEFENDER XD ALL VARIANTS
Page YDNXCK2A

BODY - SILL PANELS - 110

III. Part No.	Description	Qty	Remarks
Sill channels			
15 ALR9818	Sill channel RH	1	
ALR9819	Sill channel LH	1	
Fixings - sill channels			
16 ASR2352	Bolt plate	2	
17 WC108051	Washer plain	2	
18 NY108041L	Nut nyloc M8	2	
19 347436	Bracket mounting	2	
20 SH108201L	Screw M8 x 20	2	
21 WA108051L	Washer plain M8	4	
22 WL108001L	Washer spring M8	2	
23 NH108041L	Nut M8	2	
24 ALR6469	Bracket	2	
25 FS106201	Screw M6 x 20	4	
26 NY106041	Nut nyloc M6	4	
Front stays & fixings			
27 MRC5153	Stay front	2	
28 SH106201	Screw M6 x 20	2	
29 MRC5525	Washer plain M6	4	
30 NY106047L	Nut nyloc M6	2	
Sill panel foam sealing strip			
ALR6281	Seal rubber self adhesive	2	10mm x 10mm



Model DEFENDER XD ALL VARIANTS

Page YDNXCK3A

BODY - SILL PANELS - AMBULANCE

III. Part No. Description Qty Remarks

Sill panels

1	RTC6205	Sill panel front RH	1
	RTC6206	Sill panel front LH	1
2	ALR8046	Sill panel rear RH	1
	ALR8045	Sill panel rear LH	1

Fixings - front sill panels

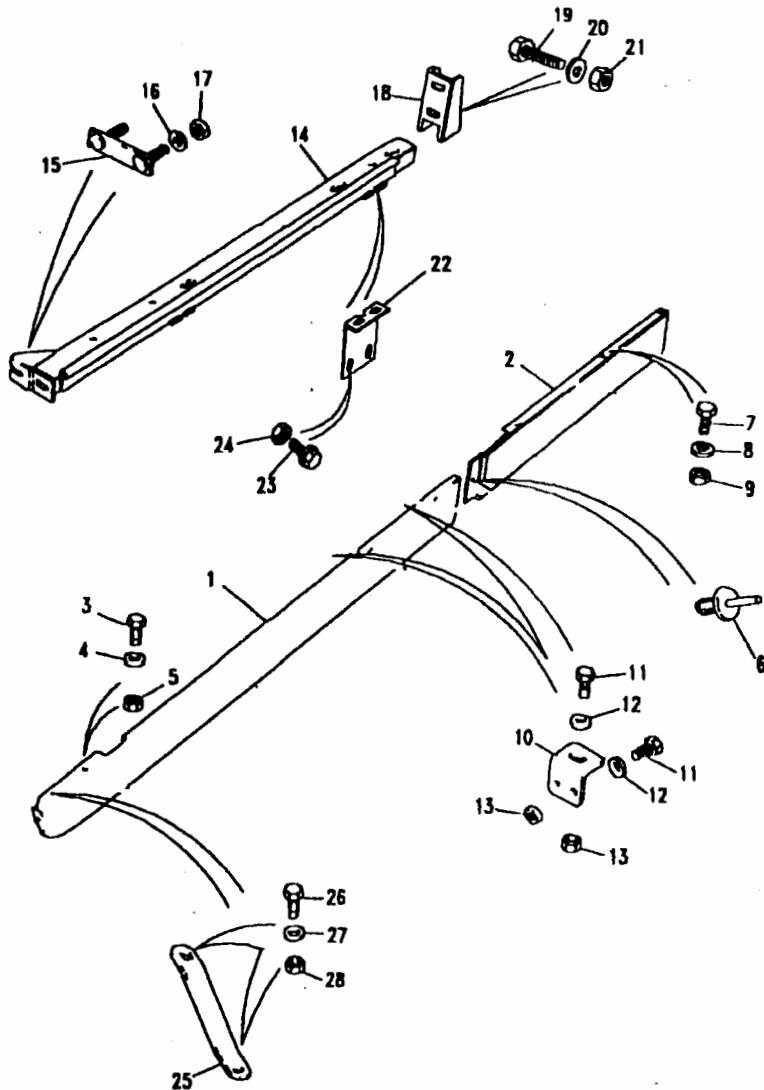
3	SH106161	Screw M6 x 16	3
4	WA106041	Washer plain M6	6
5	NY106047L	Nut nyloc M6	3
6	AFU1075	Rivet plastic	1

Fixings - rear sill panels

7	SH106161	Screw M6 x 16	2
8	WA106041	Washer plain M6	4
9	NY106047L	Nut nyloc M6	2

Fixings - channels to panels

10	MRC9438	Bracket	2
11	SH106201	Screw M6 x 20	2
12	MRC5525	Washer plain	2
13	NY106047L	Nut nyloc M6	2

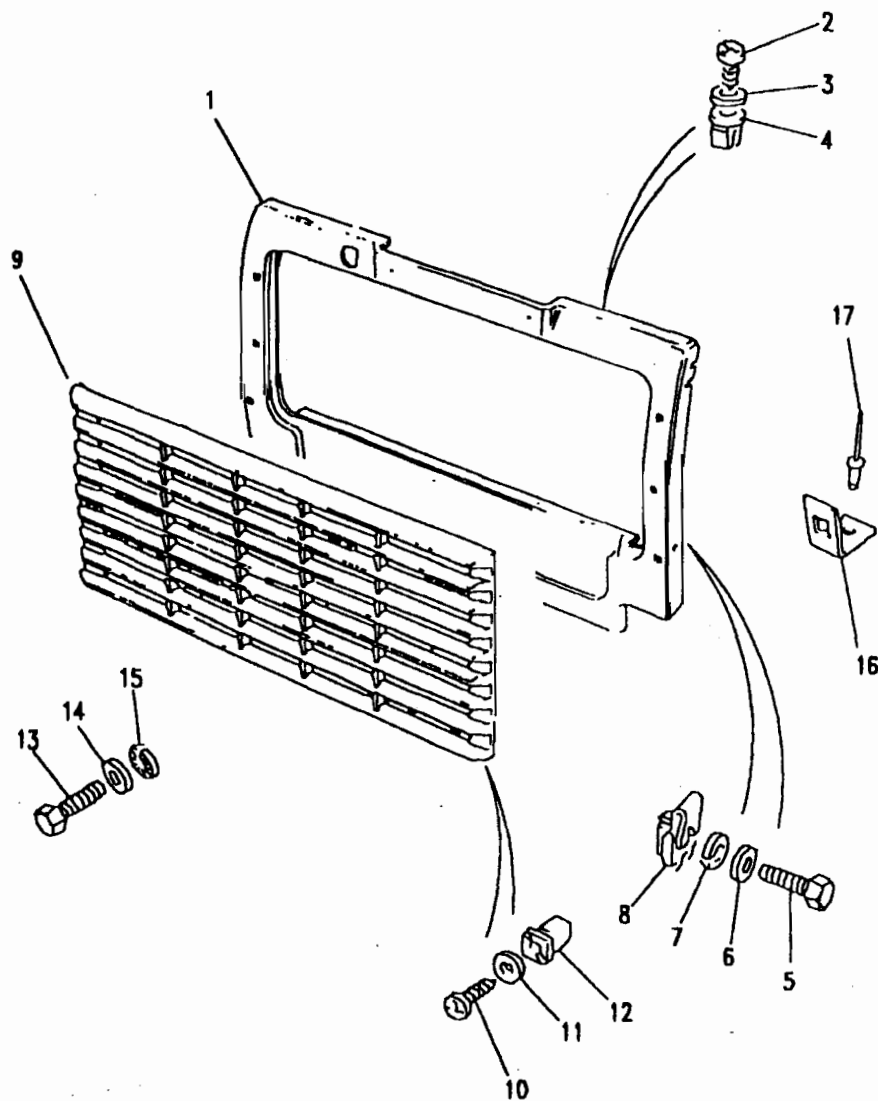


Model DEFENDER XD ALL VARIANTS

Page YDNXCK3A

BODY - SILL PANELS - AMBULANCE

III. Part No.	Description	Qty	Remarks
Sill channels			
14	ALR9818	1	Sill channel RH
	ALR9819	1	Sill channel LH
Fixings - sill channels			
15	ASR2352	2	Bolt plate
16	WC108051	2	Washer plain M8
17	NY108041L	2	Nut nyloc M8
18	347436	2	Bracket mounting
19	SH108201L	2	Screw M8 x 20
20	WA108051L	4	Washer plain M8
21	NY108041L	2	Nut nyloc M8
22	ALR6469	2	Bracket
23	FS106201	4	Screw M6 x 20
24	NY106041	4	Nut nyloc M6
Front stays & fixings			
25	MRC5153	2	Stay front
26	SH106201	2	Screw M6 x 20
27	MRC5525	4	Washer plain
28	NY106047L	2	Nut nyloc M6
Sill panel foam sealing strip			
	ALR6281	2	Seal rubber self adhesive 10mm x 10mm



Model DEFENDER XD ALL VARIANTS
Page YDNXDA1A

BODY - RADIATOR GRILLE

III. Part No.	Description	Qty	Remarks
1	RRC8404 Panel grille	1	Note(1)
2	AB606057 Screw	4	
3	WC105007 Washer plain	4	
4	RTC3745 Nut lokut	4	
5	FS108207L Screw	2	
6	WL108001L Washer spring	2	
7	WA108051L Washer plain	2	
8	NJ108061L Nut retainer	2	
9	ALR8765PUC Grille	1	Note(2)
10	AB614088 Screw	8	
11	WA106045L Washer plain	8	
12	RTC3744 Nut lokut	8	NLA use CZA4705L
	CZA4705L Nut lokut	8	
13	SE105161L Screw	8	
14	WC105001L Washer plain	8	
15	WF105001L Washer shakeproof	8	
16	MTC6827 Bracket mounting	2	
17	RA610183 Rivet	2	

Note(1)
 Note(2)

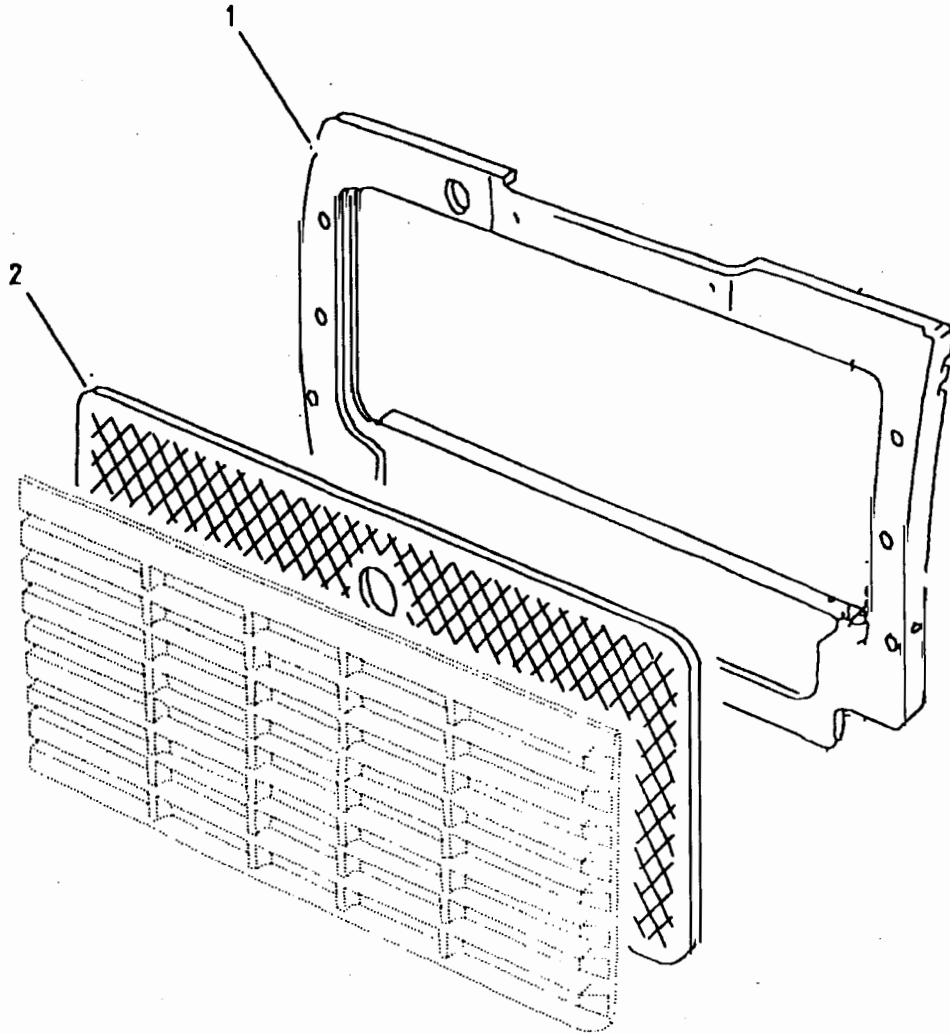
For tropical ambulance see page 348
 Grille with cut-out for tropical ambulance is not serviced, modify standard part as required.

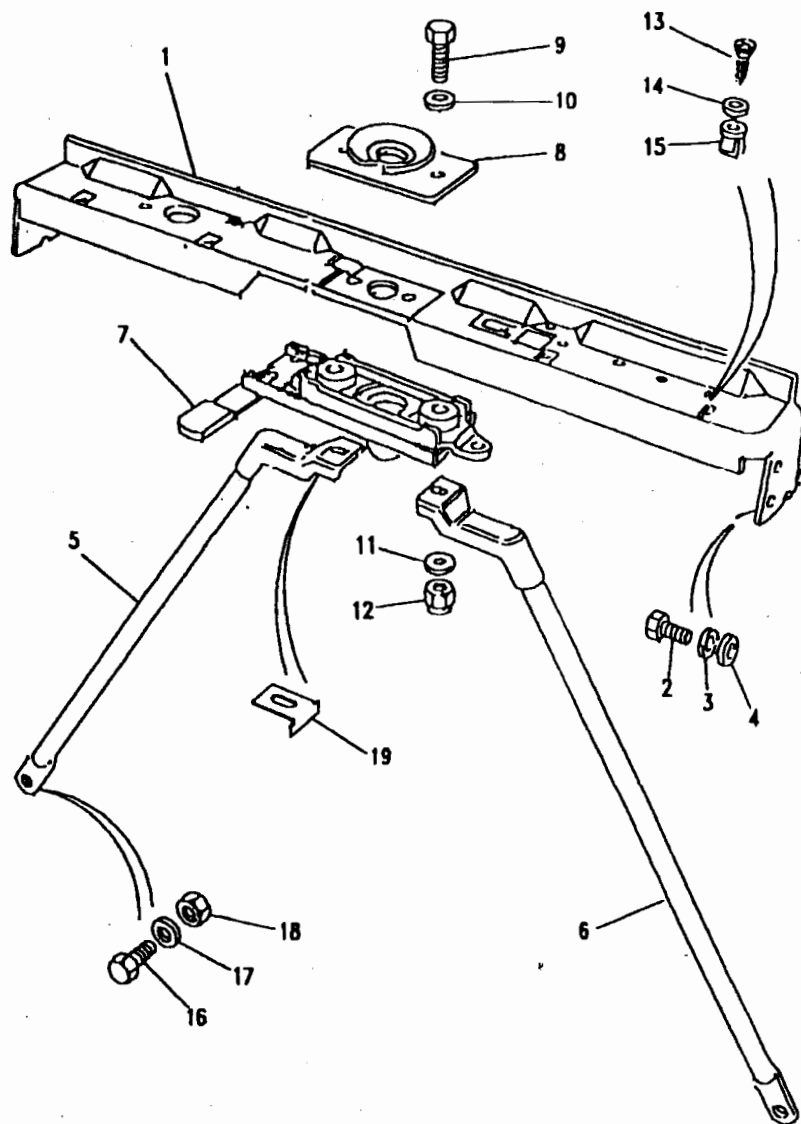
Model DEFENDER XD ALL VARIANTS
Page YDNXDA2A

BODY - RADIATOR GRILLE - TROPICAL AMBULANCE

III. Part No.	Description	Qty	Remarks
1 DHV100090	Panel grille	1	
2 MTC4220	Guard wire mesh	1	Note(1)

Note(1) Modify standard part as required.
 Note(2) For earth bonding leads see page 311





Model DEFENDER XD ALL VARIANTS
 Page YDNXDC1A

BODY - RADIATOR GRILLE TOP PANEL AND BRACES

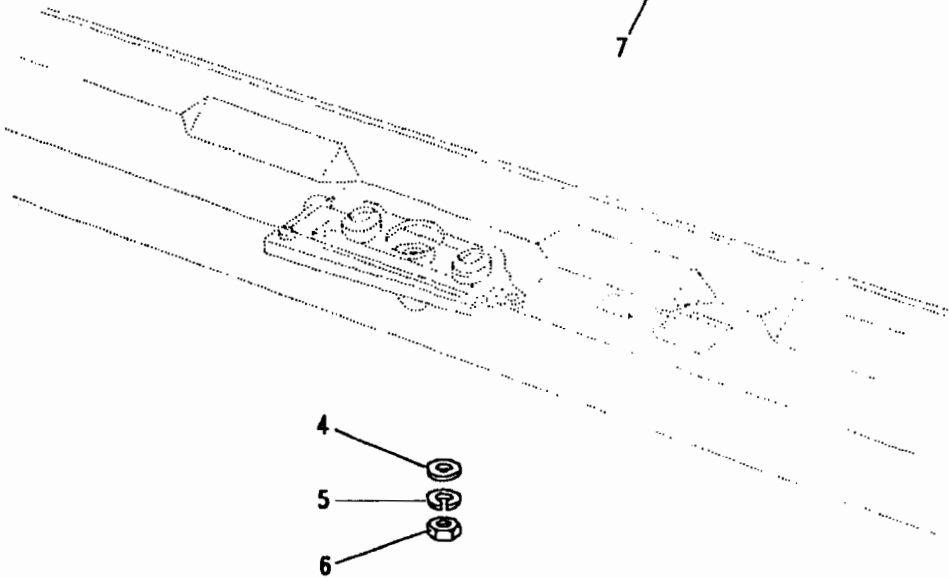
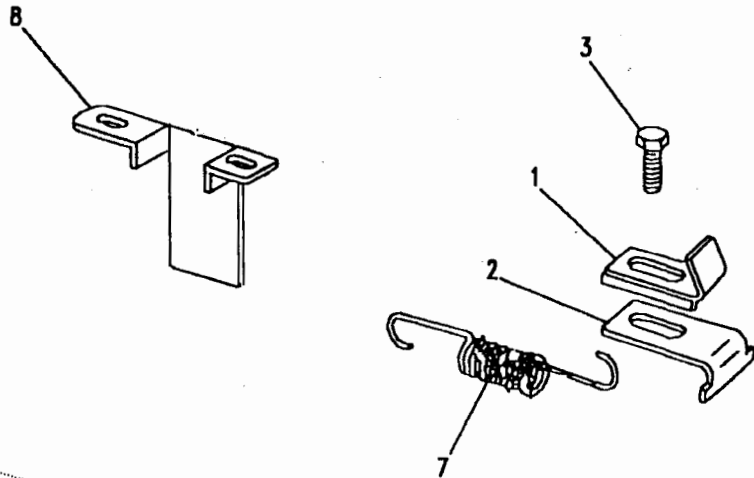
Ill. Part No.	Description	Qty	Remarks
1	ALR9424	1	
	ABG710020	1	
2	FS108257L	1	Winterised
3	WL108001L	4	
4	WA108051L	4	
5	ALR9386	1	
	BKN710010	1	
6	ALR9387	1	Tropical ambulance
	BKN710020	1	
7	RRC8381	1	Tropical ambulance
8	RRC8512	1	Note(1)
	FB106075L	1	
9	FB106075L	2	
10	WJ600041L	2	
11	WA106041L	2	
12	NY106047L	2	
13	AB606057	2	
14	WC105007	4	
15	RTC3745	4	
16	FS108207L	2	
17	WC108051L	2	
18	FN108047L	2	
19	393218	1	Bonnet catch

Note(1) Catch extension for tropical ambulance is not serviced, modify standard part as required.

Model DEFENDER XD ALL VARIANTS
Page YDNXDC2A

BODY - BONNET RELEASE SAFETY CATCH

III. Part No.	Description	Qty	Remarks
1 MWC3339	Plate catch	1	
2 393218	Plate adjusting	1	Safety catch
3 FS106207L	Screw M6 x 20	1	
4 WA106041L	Washer plain M6	1	
5 WL106001L	Washer spring M6	1	
6 NH106041L	Nut M6	1	
7 351991	Spring	1	
8 STC3995	Bracket hook guide	1	Tropical ambulance

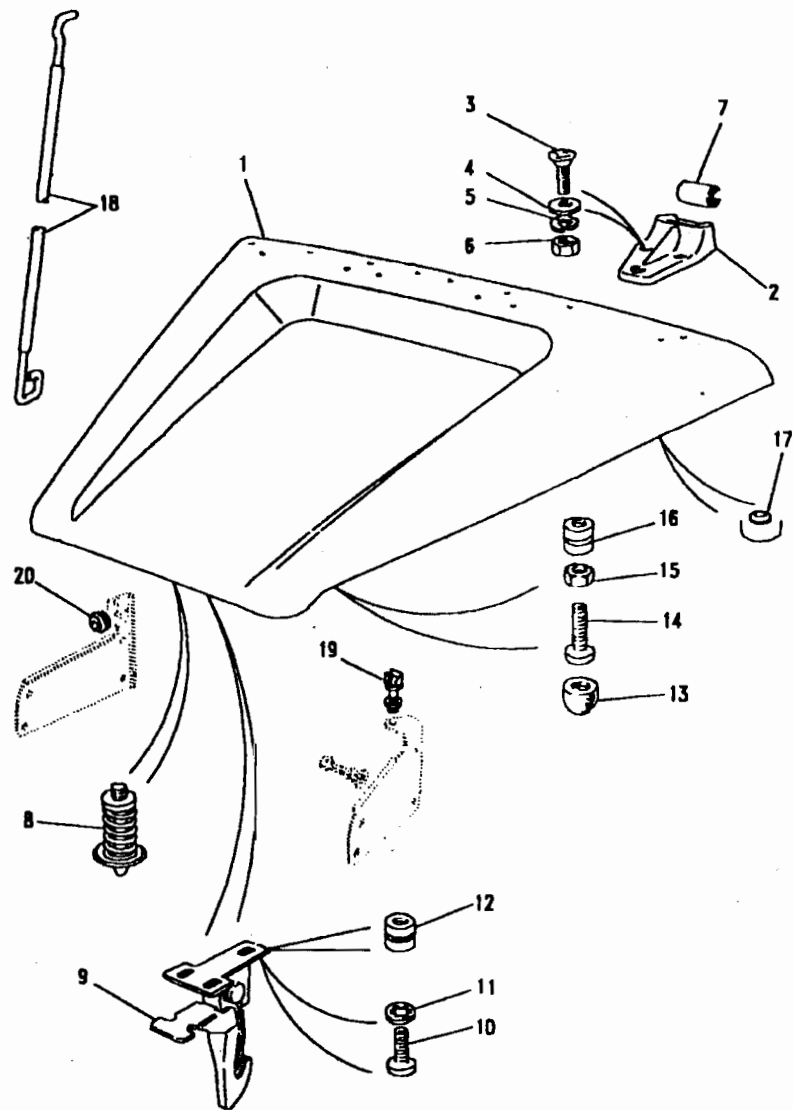


Model DEFENDER XD ALL VARIANTS
Page YDNXDE1A

BODY - BONNET

III. Part No.	Description	Qty	Remarks
1	ALR8069	1	
2	MRC9244	2	Up to VA138479
	AHU710010	2	From WA138480
3	SF106201L	6	
4	WB106041L	6	
5	WL106001L	6	
6	NH106041L	6	
7	346849	2	
8	ASR1229	1	
9	MUC6457	1	
10	SE106161L	3	
11	WF106001L	3	
12	NN106021	3	
13	391287	4	
14	SE108404L	4	
15	NH108044	4	
16	NN108021	4	
17	MRC6270	2	
18	ALR9022	1	
19	PRC3180	1	
20	AYA10004L	1	

Note(1) For spare wheel mounting see page 434

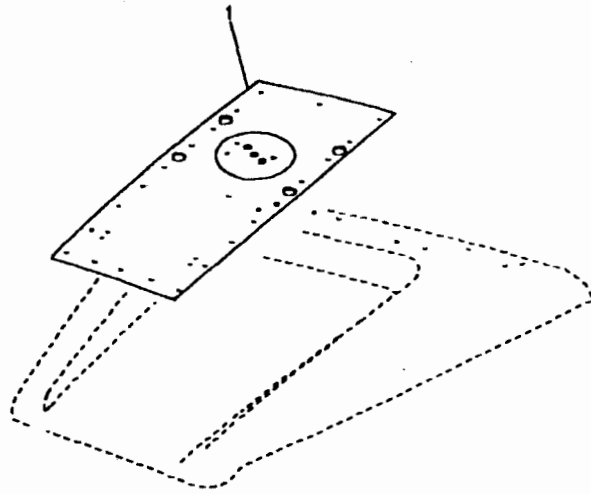




Model DEFENDER XD ALL VARIANTS
Page YDNXDE2A

BODY - BONNET TREADPLATE - AMBULANCE

III. Part No.	Description	Qty	Remarks
1 STC2752	Treadplate bonnet	1	



Model DEFENDER XD ALL VARIANTS

Page YDNXE1A

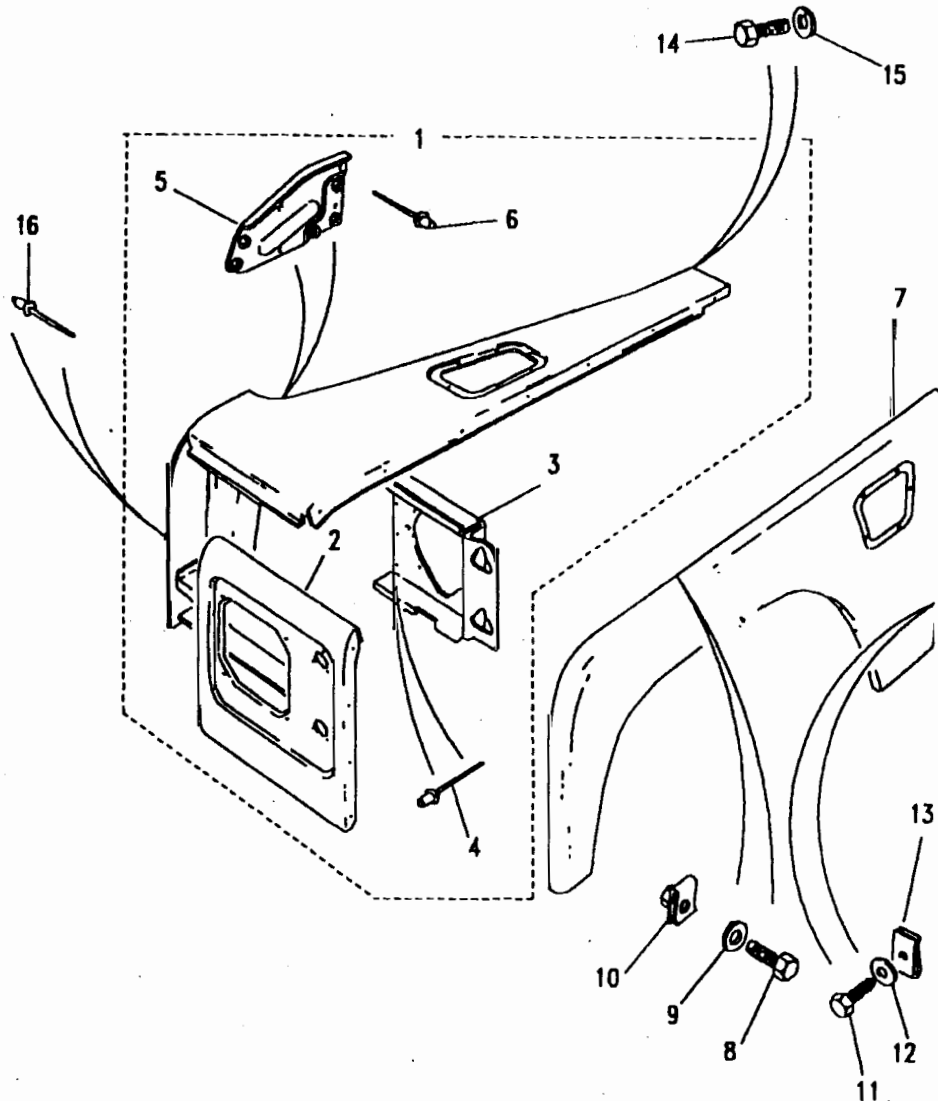
BODY - FRONT WINGS

III. Part No.

Description

Qty Remarks

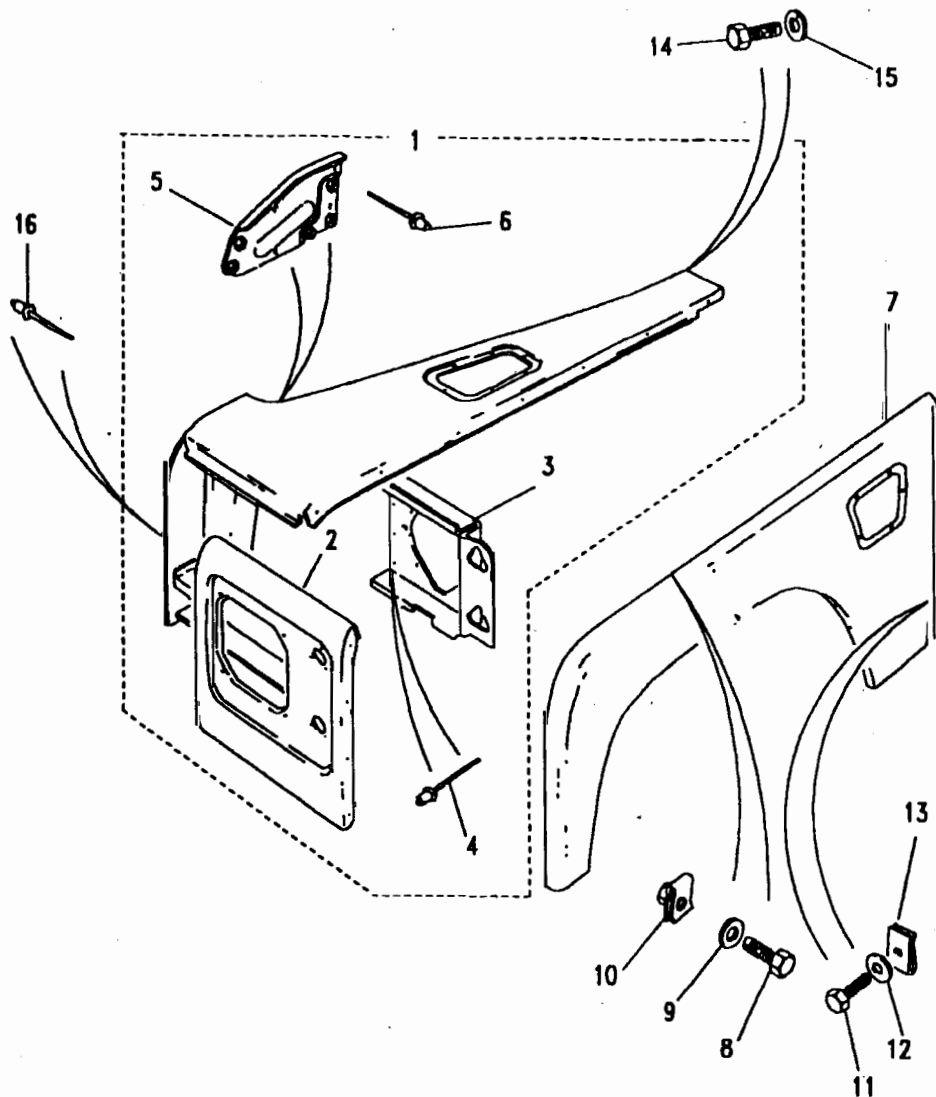
1	ALR6842	Wing front RH	1	
	ASB710360	Wing front RH	1	Winterised
	ALR6843	Wing front LH	1	
	ASB710370	Wing front LH	1	Winterised
2	ALR5990	Panel nose RH	1	
	ALR5989	Panel nose LH	1	
3	ALR5324	Panel mounting RH	1	
	ASW710120	Panel mounting RH	1	Winterised
	ALR5323	Panel mounting LH	1	
	ASW710130	Panel mounting LH	1	Winterised
4	78248	Rivet	8	
5	MRC6051	Tie plate RH	1	
	ASR710100	Tie plate RH	1	Winterised
	MRC6052	Tie plate LH	1	
	ASR710110	Tie plate LH	1	Winterised
6	78248	Rivet	8	
7	ALR6122	Panel outer RH	1	
	ASB710260	Panel outer RH	1	Winterised
	ASB710280	Panel outer RH	1	Waterproof
	ALR6677	Panel outer LH	1	
	ASB710290	Panel outer LH	1	Winterised
	ASB710270	Panel outer LH	1	Waterproof
8	MXC2932	Screw	28	
9	3900L	Washer plain	28	
10	302532	Nut spire	26	
	AH614011L	Nut spring	2	
11	SH108301L	Screw M8 x 30	4	
12	WC108051L	Washer plain	4	
13	ALR9350	Lugnut	4	
14	SH106351	Screw M6 x 35	1	
15	WL106001	Washer spring	1	
16	RU612373L	Rivet	8	



Model DEFENDER XD ALL VARIANTS
 Page YDNXEA2A

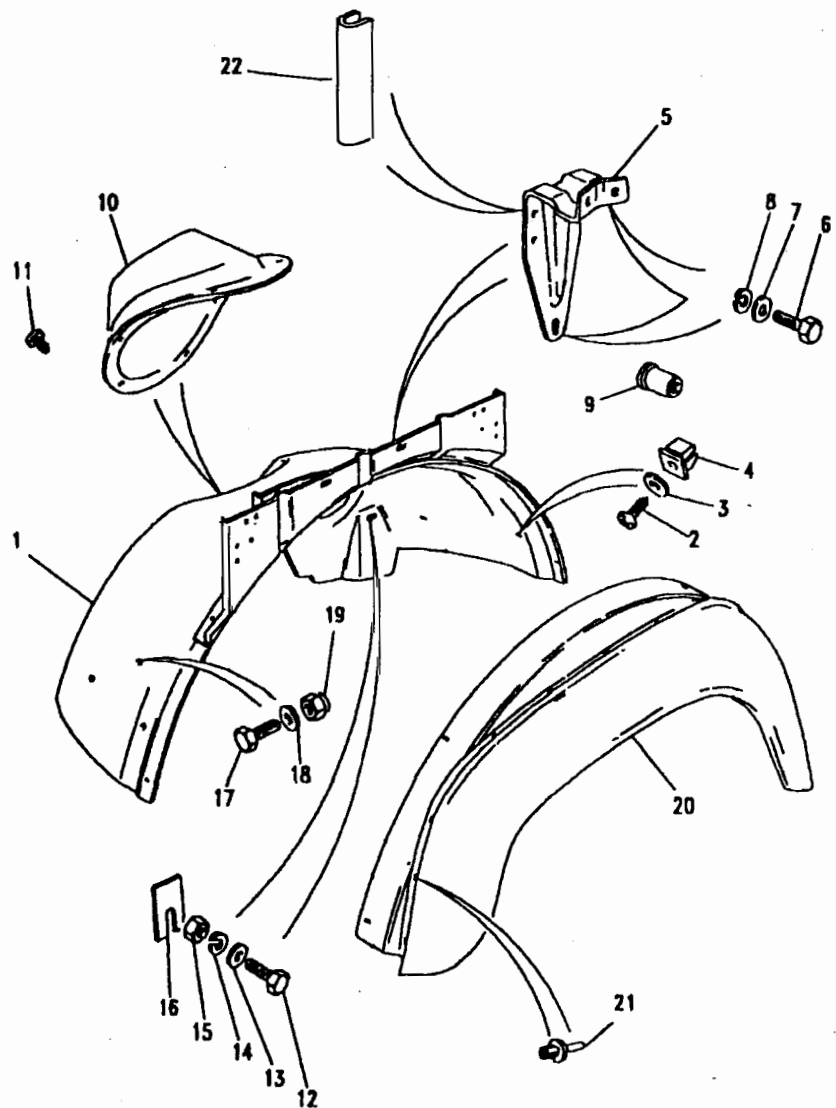
BODY - FRONT WINGS - AMBULANCE

Ill. Part No.	Description	Qty	Remarks
1	ASR1956	1	Wing front RH
	ASR1957	1	Wing front LH
2	ASR1894	1	Panel nose RH
	ASR1895	1	Panel nose LH
3	ASR1892	1	Panel mounting RH
	ASR1893	1	Panel mounting LH
4	78248	8	Rivet
5	MRC6051	1	Tie plate RH
	MRC6052	1	Tie plate LH
6	78248	8	Rivet
7	ALR4554	1	Panel outer RH
	MXC2913	1	Panel outer LH
8	MXC2932	28	Screw
9	3900L	28	Washer plain
10	302532	26	Nut spire
	AH614011L	2	Nut spring
11	SH108301L	4	Screw M8 x 30
12	WC108051L	4	Washer plain
13	ALR9350	4	Lugnut
14	SH106351	1	Screw M6 x 35
15	WL106001	1	Washer spring
16	RU612373L	8	Rivet

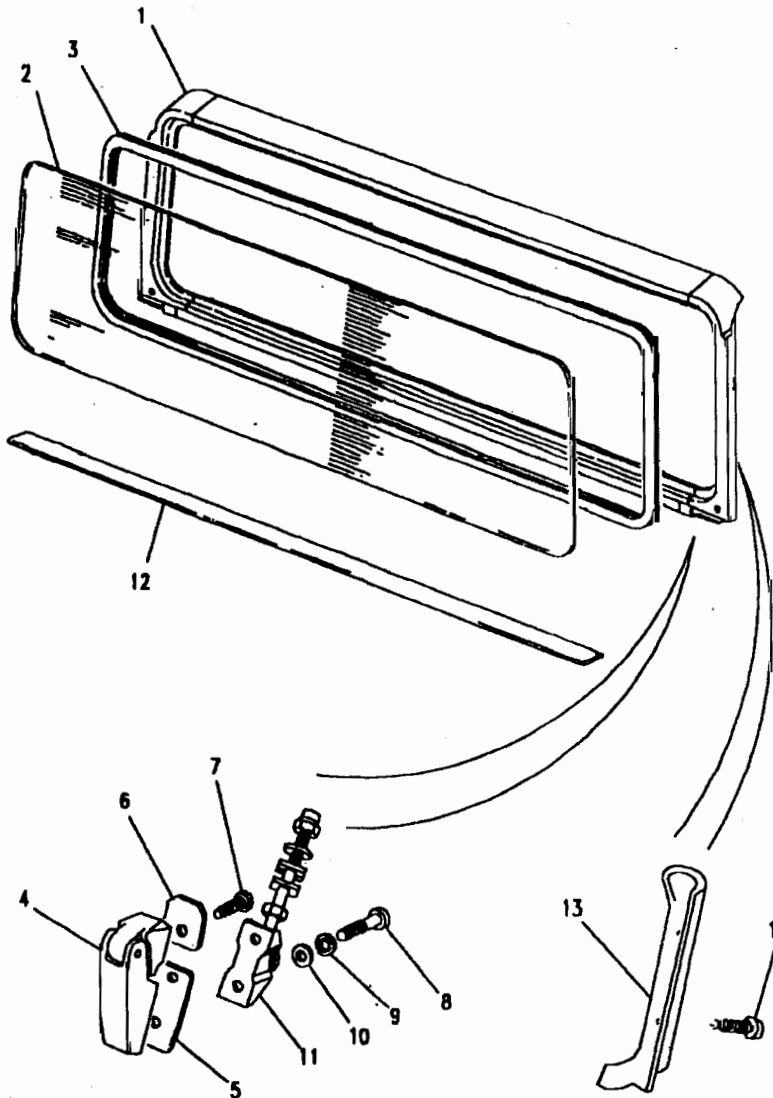


Model DEFENDER XD ALL VARIANTS
Page YDNXEC1A

BODY - FRONT WINGS - WHEELARCH AND EYEBROW



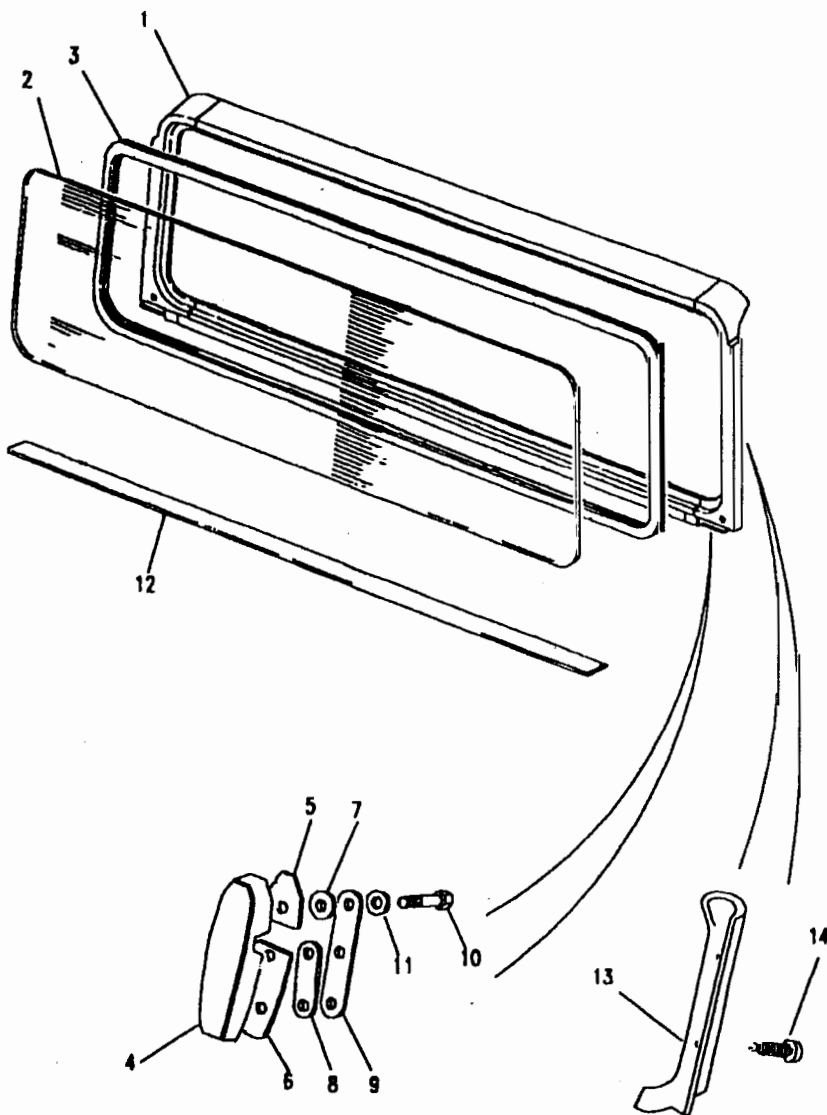
III. Part No.	Description	Qty	Remarks
1 ASR1402	Wheelarch RH	1	
ASR1403	Wheelarch LH	1	
AWJ710010	Wheelarch LH	1	Winterised
2 AB614064L	Screw black finish	4	Up to VA128163
AB614061L	Screw zinc finish	4	From VA128164
3 AFU1069	Washer plain	4	
4 RTC3744	Nut lokut	4	NLA use CZA4705L
CZA4705L	Nut lokut	4	
5 MRC9735	Stay RH	1	RH Stg
MRC9734	Stay LH	1	LH Stg
6 FS106207L	Screw M6 x 20	4	
7 WA106047L	Washer plain	4	
8 WL106007L	Washer spring	4	
9 ALR4915	Nutsert M8	2	
10 ALR5342	Cover suspension	2	
11 AR608021L	Screw No 8 x 1/4"	11	
AR608031L	Screw No 8 x 3/8"	1	
12 FS108257L	Screw M8 x 25	8	
SH108501L	Screw M8 x 50	4	
13 AFU1079	Washer plain	8	
14 WC108051L	Washer spring	12	
15 FN108047L	Nut M8	12	
16 MRC4037	Shim	24	
17 FS108257L	Scw M8 x 25	2	
SH108501L	Screw M8 x 50	1	
18 WC108051	Washer plain	3	
19 NY108041L	Nut M8 nyloc	3	
20 MRC9377	Eyebrow front LH	1	
MRC9378	Eyebrow front RH	1	
21 AFU1075	Rivet	16	
22 570753	Protector edge	1	Waterproof



Model DEFENDER XD ALL VARIANTS
 Page YDNXFA1A

BODY - WINDSCREEN

III. Part No.	Description	Qty	Remarks
1	MUC2594 Frame windscreen	1	
2	MTC2864 Glass laminated clear	1	
	RRC7310 Glass heated	1	Winterised
3	MUC3733 Glazing rubber	1	
4	MXC7847 Hinge LH	1	
	MXC7846 Hinge RH	1	
5	MXC9982 Gasket hinge to dash	2	
6	MXC9983 Gasket hinge to screen	2	
7	SE110401 Screw M10 x 40	2	
8	SS108404 Screw M8 x 40	4	
9	WF108004L Washer shakeproof	4	
10	WA108054L Washer plain	4	
11	RTC6159 Clamp	2	
12	ALR5058 Seal windscreen	1	Up to WA151649
	FAJ100020 Seal windscreen	1	From WA151650
13	MTC5212 Finisher interior RH	1	
	MWC2314 Finisher interior LH	1	
14	AB606084 Screw No6 x 1	4	



Model DEFENDER XD ALL VARIANTS

Page YDNXFA2A

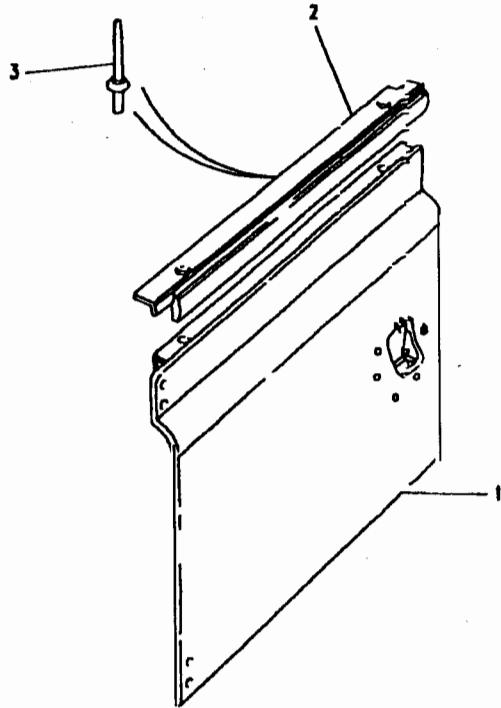
BODY - WINDSCREEN - AMBULANCE

Ill. Part No.	Description	Qty	Remarks
1	MUC2594	1	Frame windscreen
2	MTC2864	1	Glass laminated clear
	RRC7310	1	Glass heated
3	MUC3733	1	Glazing rubber
4	MUC7911	1	Bracket windscreen RH
	MUC7912	1	Bracket windscreen LH
5	MXC9982	2	Gasket lower
6	MXC9983	2	Gasket upper
7	MUC7907	2	Washer packing
8	MUC4289	2	Packing piece
9	MUC4290	2	Strap
10	FB108101	6	Bolt M8 x 50
11	WA108051L	6	Washer plain M8
12	ALR5058	1	Seal windscreen
	FAJ100020	1	Seal windscreen
13	MTC5212	1	Finisher interior RH
	MWC2314	1	Finisher interior LH
14	AB606084	4	Screw No6 x 1

Up to WA151649
From WA151650

Model DEFENDER XD ALL VARIANTS
Page YDNXGA1A

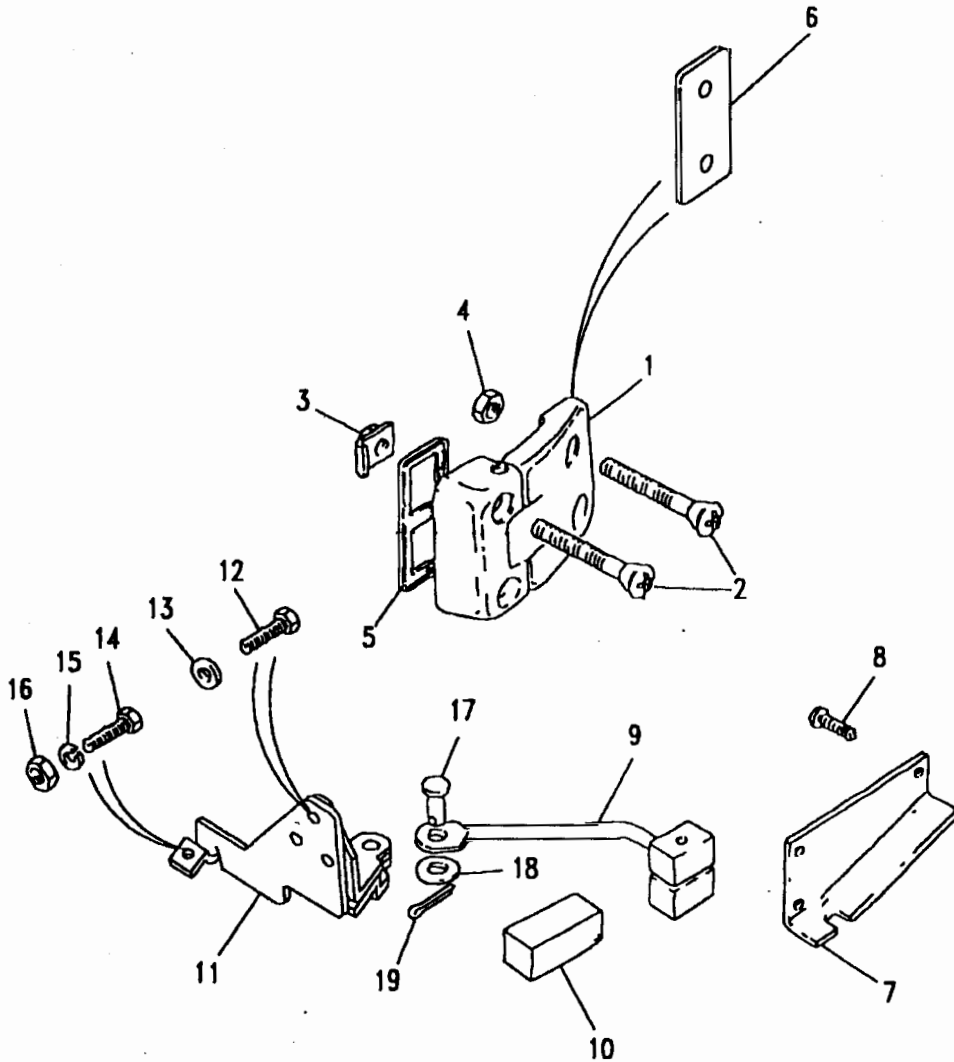
BODY - DOORS - FRONT DOOR ASSEMBLY



III. Part No.	Description	Qty	Remarks
1 ALR6262	Door assembly RH	1	
1 ALR6263	Door assembly LH	1	
2 RRC5034	Capping door top RH	1	
1 RRC5035	Capping door top LH	1	
3 78248	Rivet	7	

Model DEFENDER XD ALL VARIANTS
Page YDNXGA2A

BODY - DOORS - FRONT DOOR HINGES

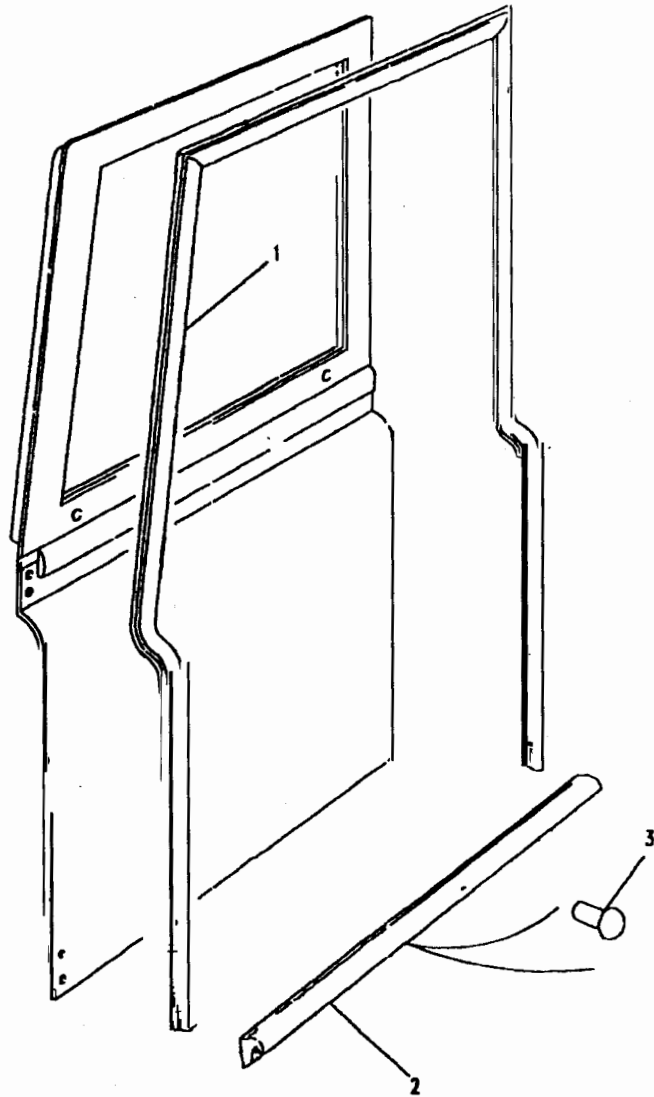


III. Part No.	Description	Qty	Remarks
Upper hinge			
1 ALR7494	Hinge assembly LH	1	
ALR7493	Hinge assembly RH	1	
Lower hinge			
ALR7492	Hinge assembly LH	1	
ALR7491	Hinge assembly RH	1	
All variants			
2 ASR1458	Screw csk locking M8 x 57	16	
3 ASR1459	J nut M8	8	
4 NY108041L	Nut nyloc M8	8	
5 347369	Seating washer	4	
6 MWC1898	Shim	4	Up to VA134184
MWC1898	Shim	10	From VA134185
7 346928	Retainer LH	1	
346927	Retainer RH	1	
8 AB606031L	Screw fixing retainer	7	
9 395538	Checkstrap rod door	2	
10 395481	Buffer	2	
11 ALR9485	Bracket retaining LH	1	
ALR9484	Bracket retaining RH	1	
12 SH106301L	Screw M6 x 30	2	
13 WA106041L	Washer plain	2	
14 SH108401L	Screw M8 x 40	1	
15 WA108051L	Washer plain	1	
16 NY108041L	Nut M8 nyloc	1	
17 PC108241	Clevis pin	1	
18 WA108051L	Washer plain	1	
19 PS103101L	Split pin	1	

Model DEFENDER XD ALL VARIANTS
Page YDNXGA3A

BODY - DOORS - FRONT DOOR SEALS

III. Part No.	Description	Qty	Remarks
1 ALR4936	Seal door RH	1	Up to VA134184
CFE102720	Seal door RH	1	From VA134185
CFE102980	Seal door RH	1	Winterised
ALR4937	Seal door LH	1	Up to VA134184
CFE102730	Seal door LH	1	From VA134185
CFE102990	Seal door LH	1	Winterised
2 ALR6250	Door seal lower	2	
3 ALR6280	Rivet	20	



Model DEFENDER XD ALL VARIANTS

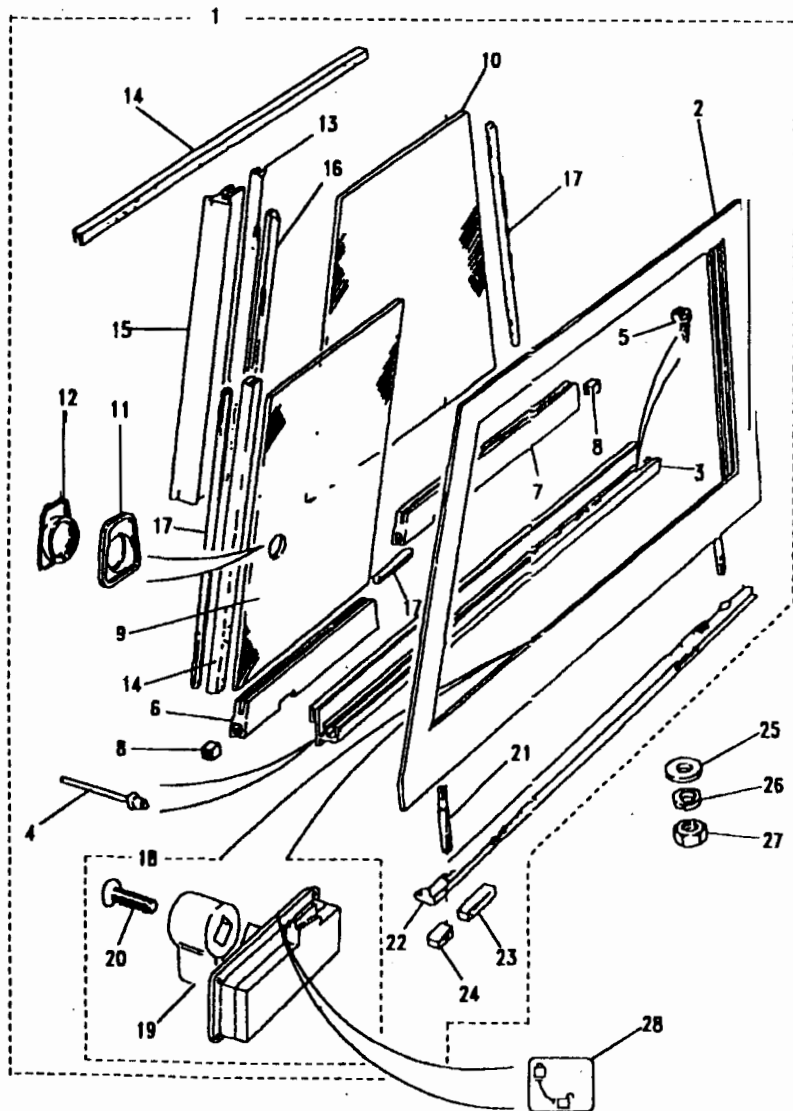
Page YDNXGC1A

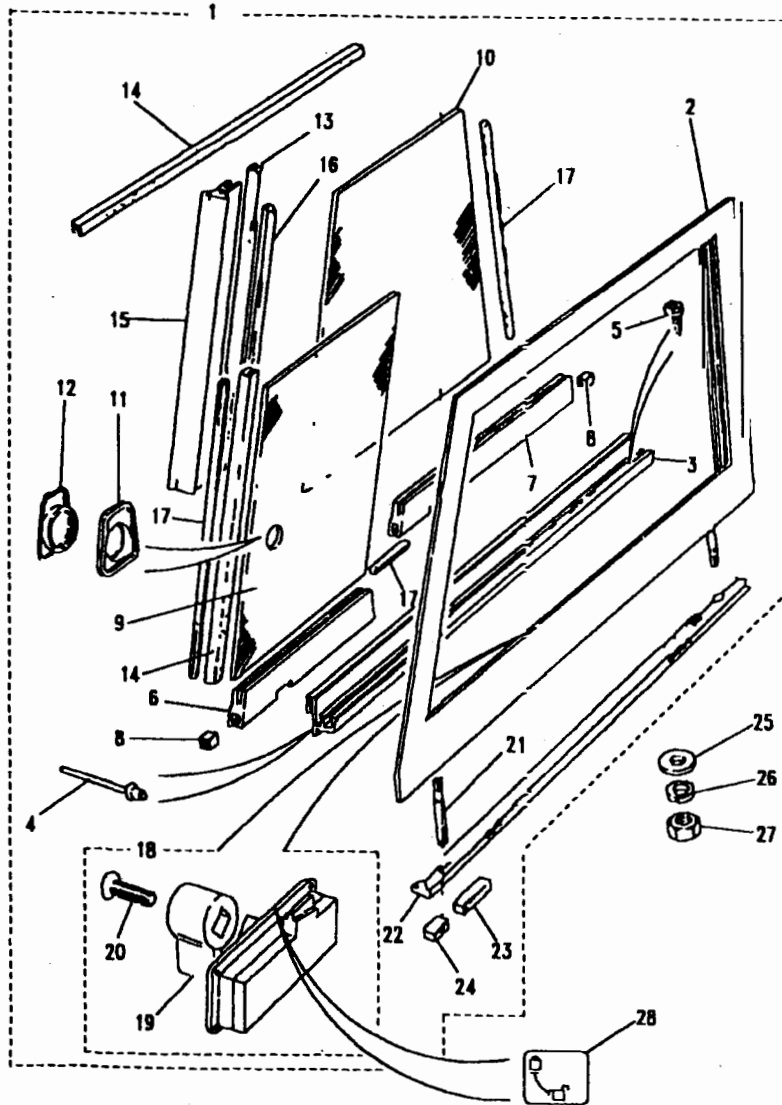
BODY - DOORS - FRONT DOOR SIDE SCREENS

III. Part No. Description Qty Remarks

Side screen assembly

1	MWC4747	Sidescree assembly LH	1	
	MWC4746	Sidescree assembly RH	1	
2	STC3865	Sidescree unglazed LH	1	
	STC3864	Sidescree unglazed RH	1	
3	MTC6207	Removable rail LH	1	
	MTC6206	Removable rail RH	1	
	MUC3746	Draught seal rmvbl rail	4	
4	AFU2637	Rivet aluminium finish	4	Up to VA129988
	RJ608353	Rivet black finish	4	From VA129989
5	AB606031L	Screw fixing rail	8	
6	MTC6209	Slide rail outer LH	1	
	MTC6208	Slide rail outer RH	1	
7	MTC6211	Slide rail inner LH	1	
	MTC6210	Slide rail inner RH	1	
8	MTC6221	Runner block	6	
9	MWC4718	Window glass outer	2	Up to VA119839
	CUB102680	Window glass outer	2	From VA119840
10	MWC4719	Window glass inner	2	Up to VA119839
	CUB102690	Window glass inner	2	From VA119840
11	MWC4791	Finger pull outer LH	1	
	MWC4790	Finger pull outer RH	1	
12	MTC6278	Finger pull inner LH	1	
	MTC6276	Finger pull inner RH	1	
	RRC7577	Seal finger pull	2	
13	MWC4753	Glazing rubber	2	
	MWC4752	Glazing rubber	4	
14	MWC4757	Glazing felt	A/R	

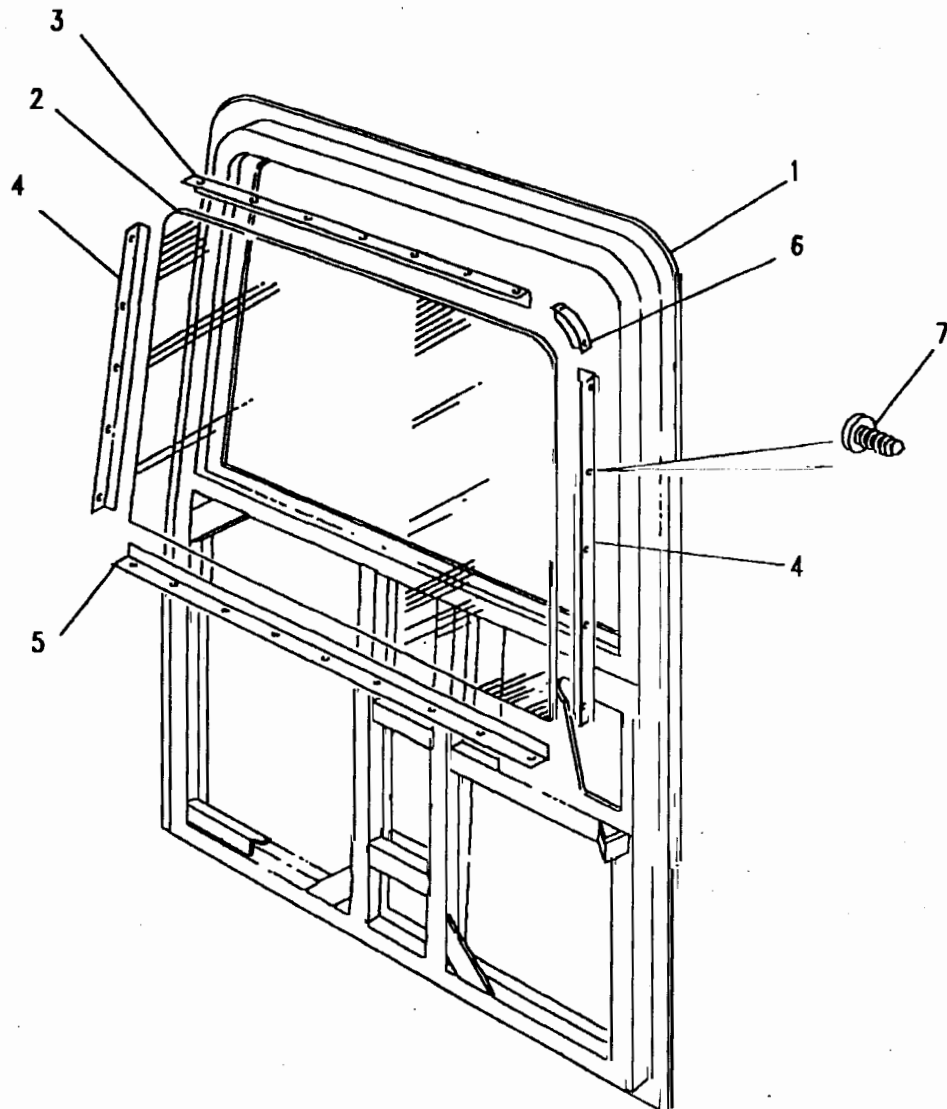




Model DEFENDER XD ALL VARIANTS
Page YDNXGC1A

BODY - DOORS - FRONT DOOR SIDE SCREENS

III. Part No.	Description	Qty	Remarks
15	MTC6215	1	Draught rail LH
	MTC6214	1	Draught rail RH
16	MTC6222	2	Weatherseal rubber
17	MTC7611	4	Infill rubber
18	RRC4879	1	Catch window LH
	RRC4878	1	Catch window RH
19	RRC4810	2	Knob for catch
20	ADU1221L	2	Screw
	RRC7578	2	Seal window catch
21	MTC6223	4	Stud sidescreen to door
22	RRC7575	2	Seal sidescreen to door
23	MTC7549	4	Pad long
24	MTC7550	4	Pad short
Fixings - side screen to door			
25	WC110067L	4	Washer plain M10
26	WL110001L	4	Washer spring M10
27	FN110047	4	Nut M10
Labels - window catch operation			
28	RRC8529	1	Label window catch LH
	RRC8530	1	Label window catch RH



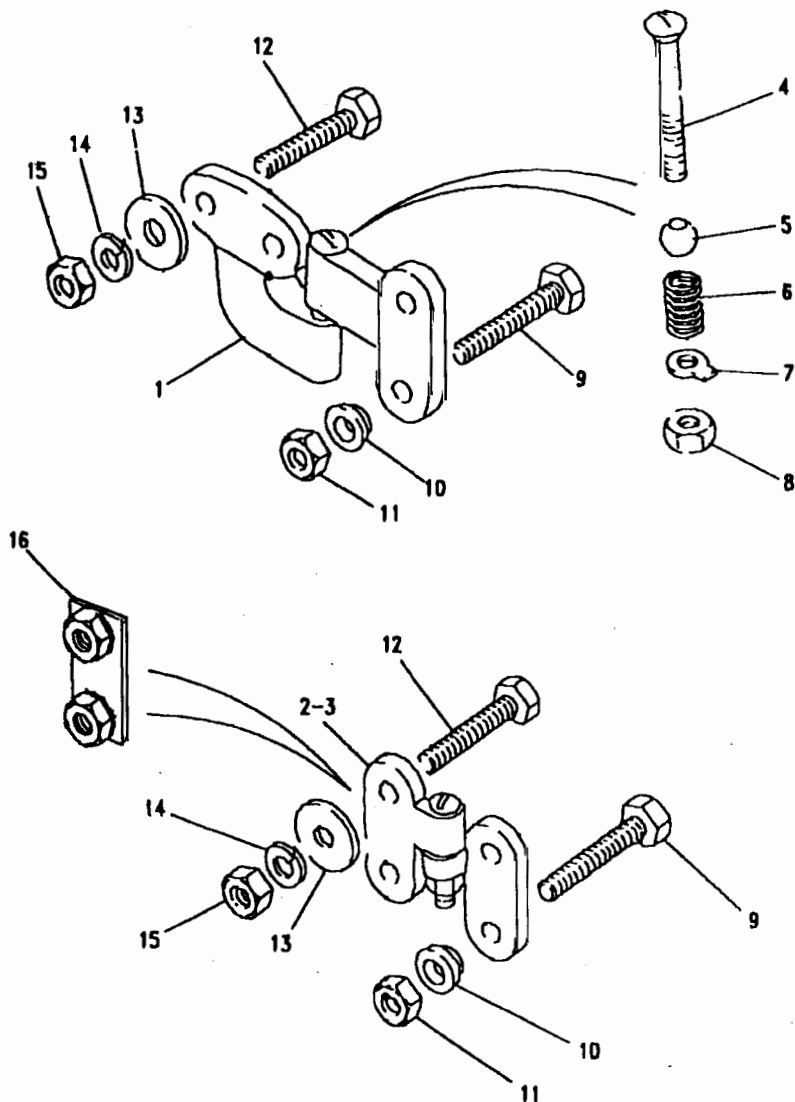
Model DEFENDER XD ALL VARIANTS
Page YDNXGM1A

BODY - DOORS - REAR END DOOR

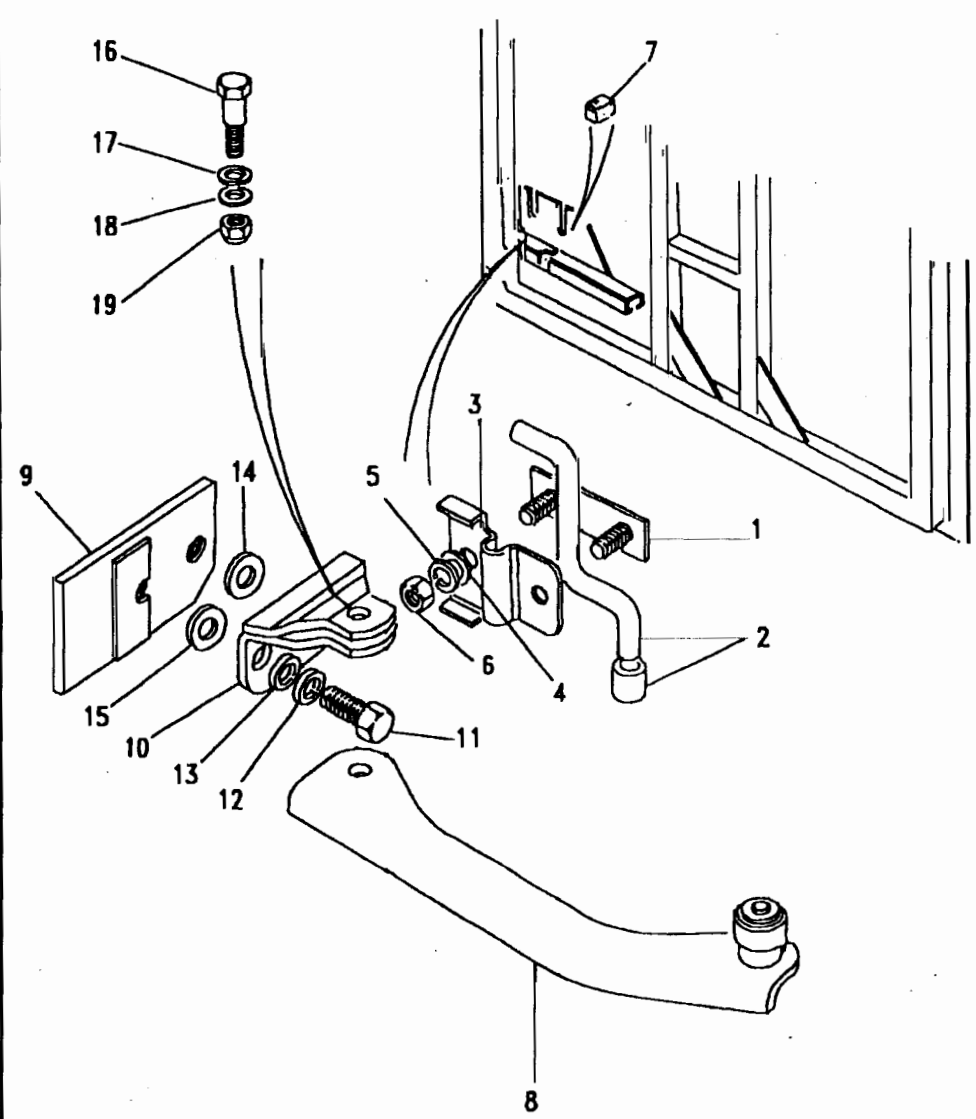
III. Part No.	Description	Qty	Remarks
1 ALR6852	Door rear end	1	
BFA710020	Door rear end	1	Winterised
2 MWC4712	Glass clear	1	
RRC8700	Glass heated	1	Winterised
78159	Glazing strip	A/R	
3 333034	Retainer top	1	
4 333033	Retainer side	2	
5 333032	Retainer bottom	1	
6 333035	Retainer corner	2	
7 AB606031L	Screw	30	

Model DEFENDER XD ALL VARIANTS
 Page YDNXGM2A

BODY - DOORS - REAR END DOOR HINGES



III. Part No.	Description	Qty	Remarks
1	333036 BHB710050	1	Up to VA138479 From WA138480
2	346341 BHB710060	1	Up to VA138479 From WA138480
3	346341 BHB710060	1	Up to VA138479 From WA138480
4	330953 BYG100190	3	Up to VA138479 From WA138480
5	330954	3	
6	330955	3	
7	330956	3	
8	NH604041L BYH100130	3	Up to VA138479 From WA138480
9	SE108501	6	
10	MRC1980	6	
11	FN108047L	6	
12	SE108251	6	
13	WC108051L	4	
14	WL108001L	4	
15	FN108047L	2	
16	MTC1042 ASR2204	1	Centre hinge
		1	Lower hinge



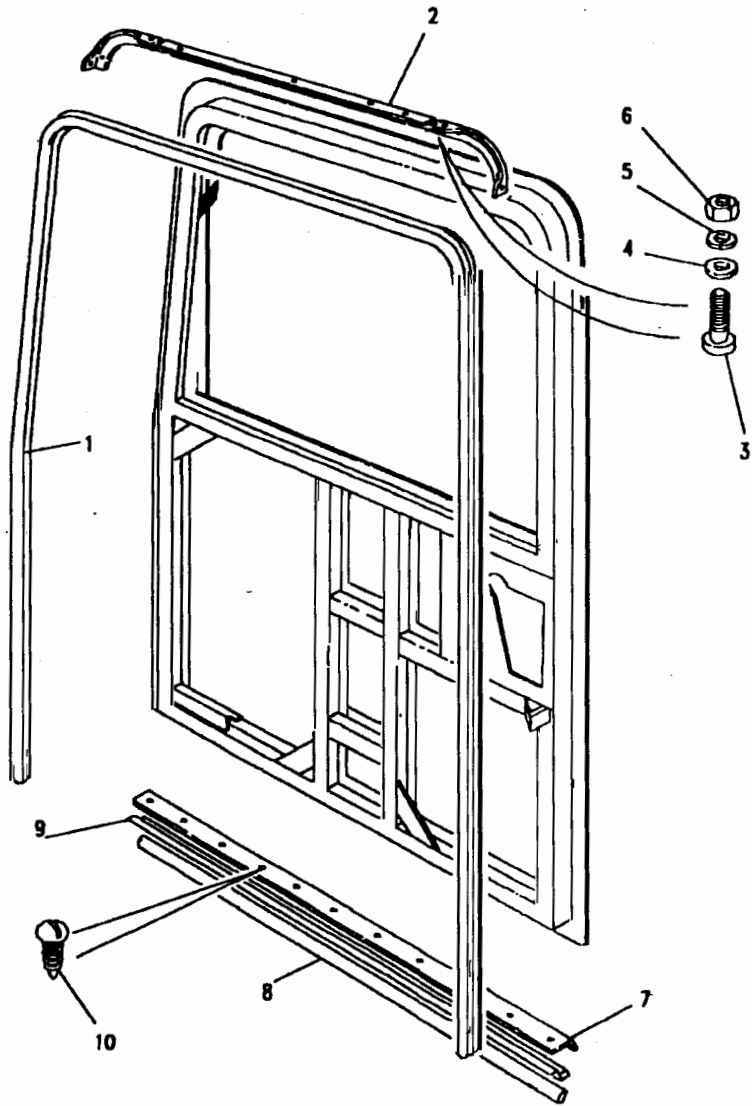
Model DEFENDER XD ALL VARIANTS
 Page YDNXGM4A

BODY - DOORS - REAR END DOOR CHECK MECHANISM

III. Part No.	Description	Qty	Remarks
1	MUC1961	1	Stud plate
2	MXC1790	1	Torsion bar and collar
3	MWC6450	1	Bracket pivot
4	AFU1080	2	Washer plain
5	WL106001L	2	Washer spring
6	NH106041L	2	Nut nyloc M6
7	MWC5759	1	Buffer rubber
8	ASR1018	1	Checkstrap
9	ASR1002	1	Bracket mounting
10	MXC2047	1	Bracket pivot
11	FS108351L	2	Screw M8 x 35
12	WL108001L	2	Washer spring M8
13	WA108051L	2	Washer plain M8
14	4075	1	Washer spacer
15	4868	1	Washer spacer
16	MXC5549	1	Bolt shouldered
17	WA108051L	1	Washer plain M8
18	WA106041L	1	Washer plain M6
19	NY106047L	1	Nut nyloc M6

Model DEFENDER XD ALL VARIANTS
 Page YDNXGM5A

BODY - DOORS - REAR END DOOR SEALS



III. Part No.	Description	Qty	Remarks
1	ALR4929	1	Seal rear end door
2	MTC4290	1	Retainer seal
3	SE105161L	9	Screw
4	AFU1256	9	Washer plain
5	WL105001L	9	Washer spring
6	NH105041L	9	Nut
7	333203	1	Protector
8	ALR4770	1	Seal
9	ALR4769	1	Retainer seal
10	AB606057	7	Screw

Model DEFENDER XD ALL VARIANTS
Page YDNXHE1A

BODY - DOORS - DOOR LOCKS ANTI-BURST

III. Part No. Description Qty Remarks

Front door locks

1	ALR7054	Lock door anti-burst LH	1
2	ALR7055	Lock door anti-burst RH	1
	MXC9455	Seal lock to door	2

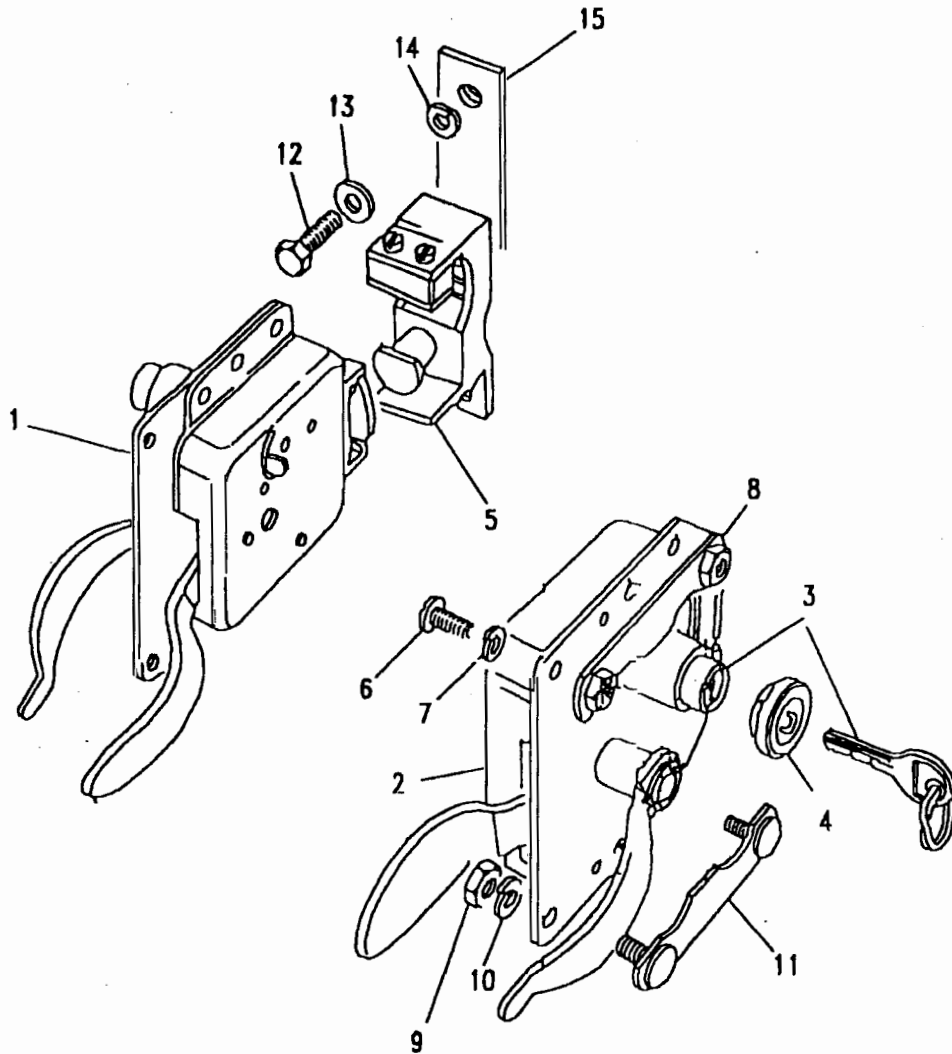
Rear end door lock - hard top

	ALR7055	Lock door anti-burst	1
	MXC9455	Seal lock to door	1

All variants

3		Barrel lock and keys	1	Note(1)
4	347151	Seal lock	2	
5	ALR7056	Striker door LH	1	
	ALR7057	Striker door RH	1	
6	SE106161L	Screw M6 x 16	4	
7	WL106001L	Washer spring M6	4	
8	MRC9417	Nut retainer	2	Up to VA132280
	ASR2668	Nut retainer	2	From VA132281
9	NY106047L	Nut nyloc M6	4	
10	WA106041L	Washer plain M6	4	
11	MTC5536	Screw retainer	2	Up to VA132280
	CXF100130	Screw retainer	2	From VA132281
12	FS106207L	Screw M6 x 20	4	
13	AFU1259	Washer plain	4	
14	WL106001L	Washer spring M6	4	
15	MRC9431	Nut plate	2	

Note(1) For lock barrel and keys - see page 370

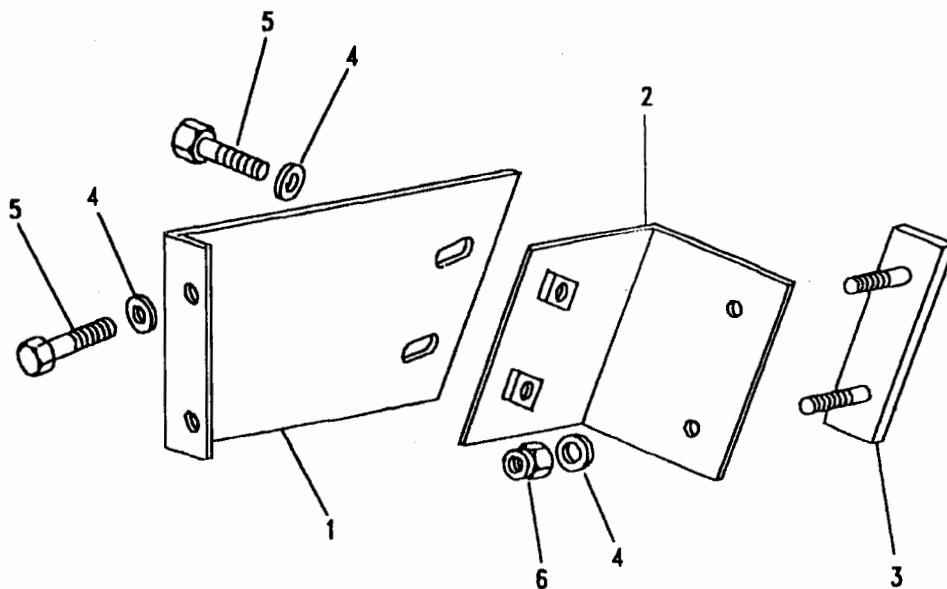


Model DEFENDER XD ALL VARIANTS

Page YDNXHE2B

BODY - DOORS - DOOR STRIKER STAY BRACKETS

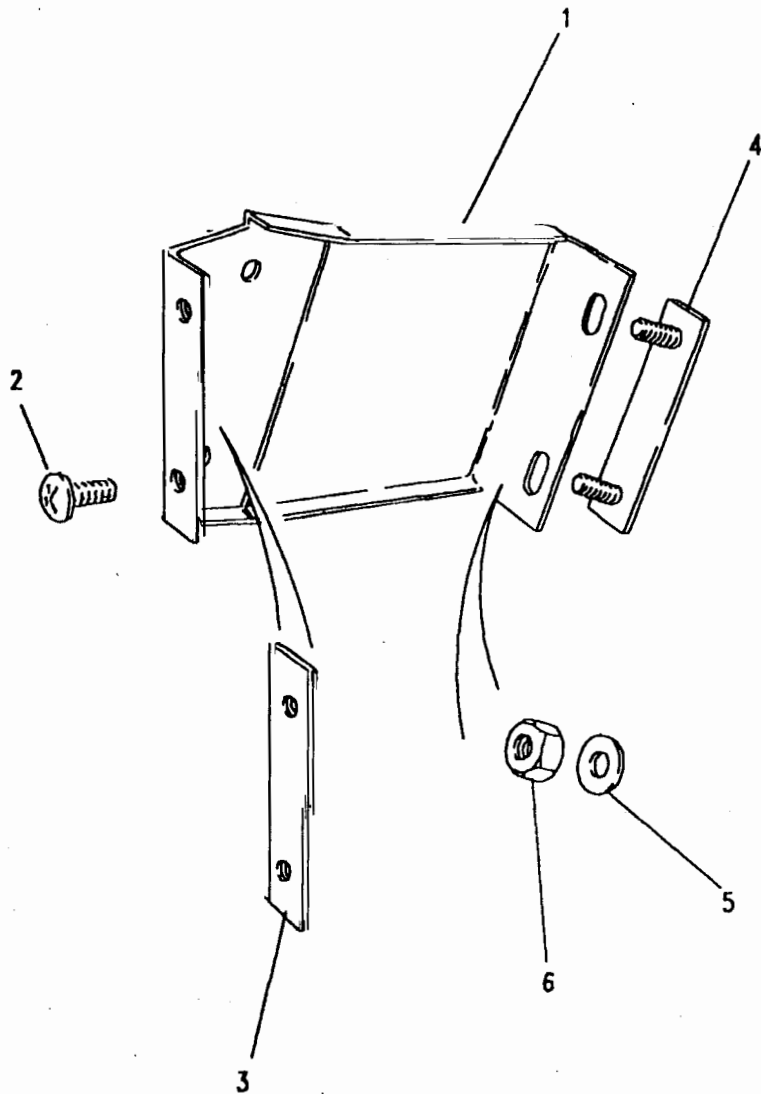
III. Part No.	Description	Qty	Remarks
1 ASR1452	Stay striker RH	1	
ASR1453	Stay striker LH	1	
2 ASR1451	Bracket stay	2	
3 MUC1049	Stud plate	2	
4 WA106041L	Washer plain M6	12	
5 SH106161	Screw M6 x 16	8	
6 NY106047L	Nut nyloc M6	4	

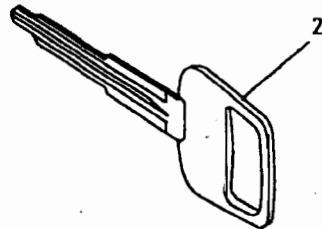
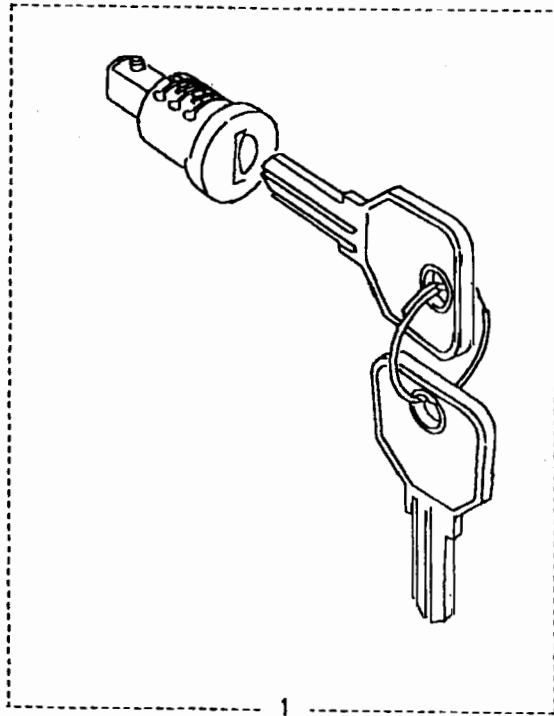


Model DEFENDER XD ALL VARIANTS
Page YDNXHE3B

BODY - DOORS - DOOR STRIKER STAY BRACKETS - AMBULANCE

III. Part No.	Description	Qty	Remarks
1	MWC1736	1	Bracket support RH
	MWC1737	1	Bracket support LH
2	SE106161L	4	Screw M6 x 16
3	MRC9431	2	Nut plate
4	MUC1049	2	Stud plate
5	WA106041L	4	Washer plain M6
6	NH106041L	4	Nut M6





Model DEFENDER XD ALL VARIANTS
Page YDNXHK1A

BODY - LOCKSETS & KEYS

III. Part No.	Description	Qty	Remarks
Lockset - 3 barrels and keys			
1 MTC6504	Lockset	1	
RTC3022	Barrel lock and key	3	
ALR9811	Key blank	A/R	
UKC6684L	Cable tie	1	
Lockset - 4 barrels and keys			
1 MTC6505	Lockset	1	
RTC3022	Barrel lock and key	4	
ALR9811	Key blank	A/R	
UKC6684L	Cable tie	1	
Key blank - steering column lock			
2 AAU8276	Key blank	A/R	

Note(1) For ambulance rear door lock and keys see page 394 - 395

Model DEFENDER XD ALL VARIANTS
Page YDNXIC1A

BODY - TAILGATE

III. Part No. Description Qty Remarks

Tailgate assembly

1	ALR7232	Tailgate	1	Less hinges
2	MUC8737	Panel reinforcing	1	
3	RA612237	Rivet	17	
4	MUC8738	Bracket t/board cable	1	RH
	MUC8739	Bracket t/board cable	1	LH

Hinges & fixings

5	ALR7036	Hinge tailgate	2	
6	BH106121L	Bolt M6 x 60	2	
7	MRC5528	Washer plain	5	
8	NY106047L	Nut nyloc M6	2	

Hinge pins & fixings

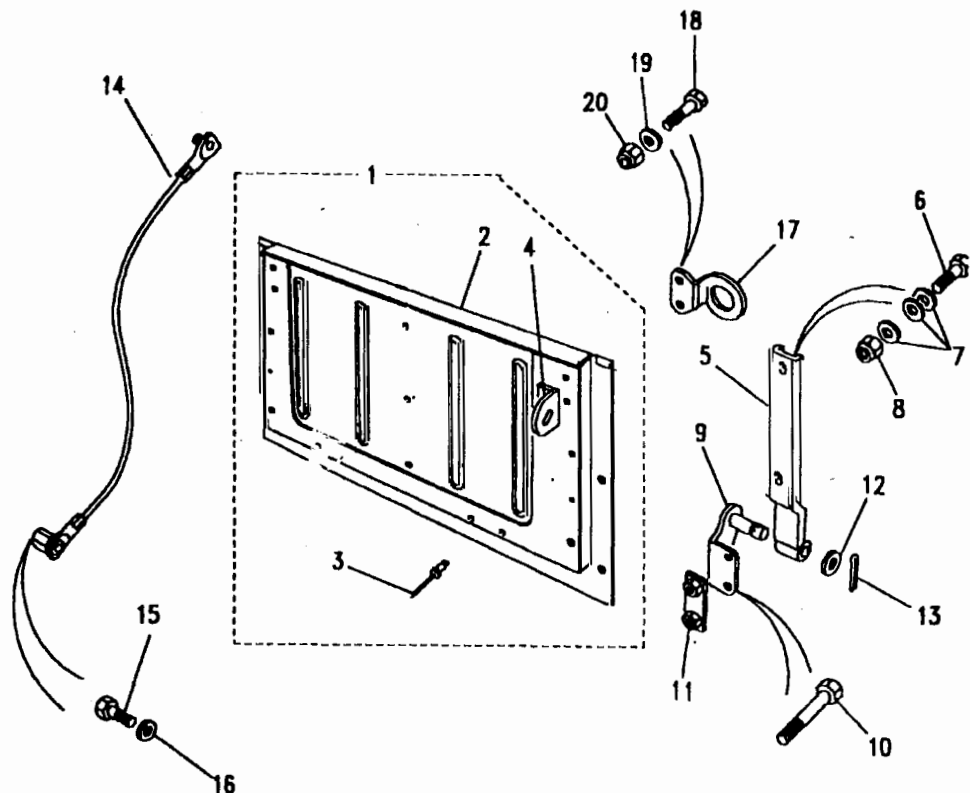
9	ALR7042	Hinge pin RH	1	
	ALR7043	Hinge pin LH	1	
10	BH108201L	Bolt M8 x 100	2	
11	MRC5757	Nut plate	1	
12	WA600091L	Washer plain	1	
13	ASR1788	R clip and chain	1	

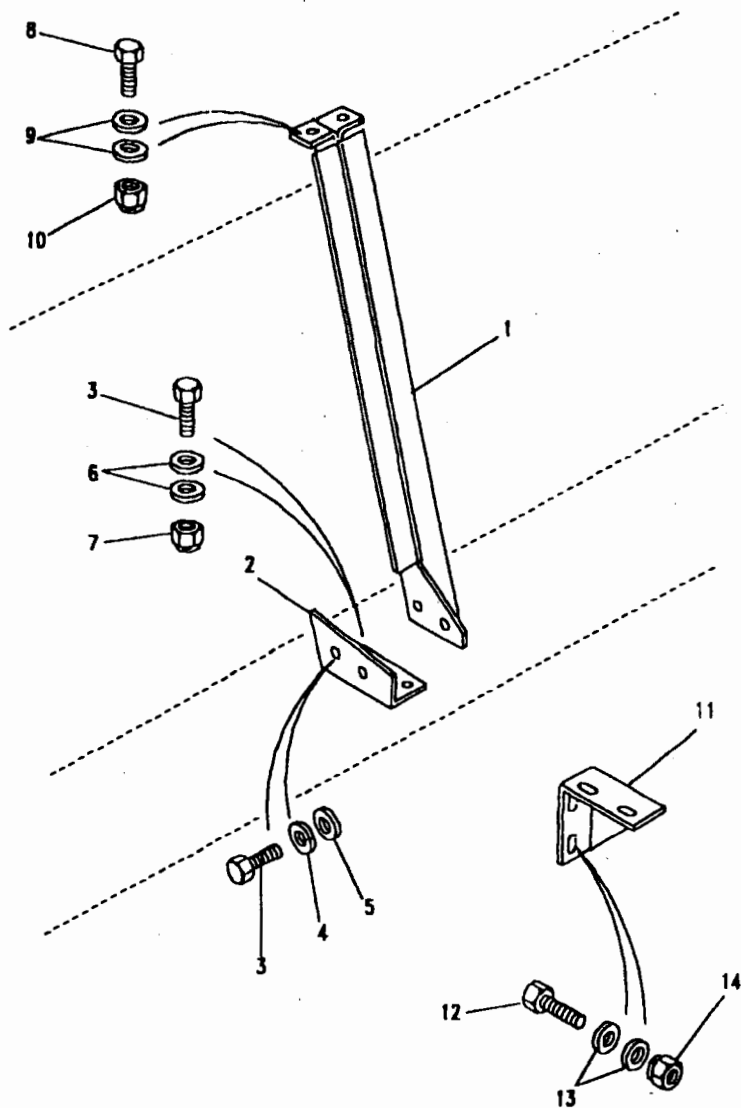
Retaining cables & fixings

14	ALR9050	Cable tailgate stay	2	
15	SH108201L	Screw M8 x 20	1	
16	WA108051L	Washer plain	1	

Locking plates & fixings

17	MUC8746	Plate locking	2	
18	BH106121L	Bolt M6 x 60	2	
19	MRC5528	Washer plain	4	
20	NY106047L	Nut nyloc M6	2	





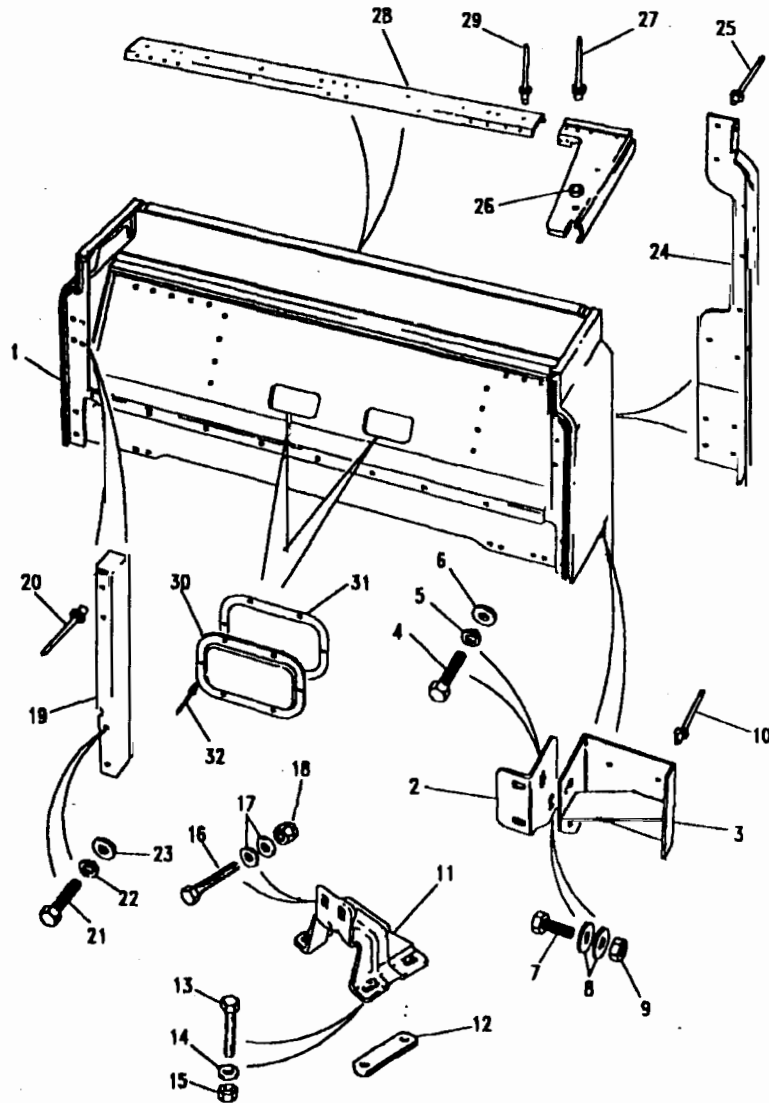
Model DEFENDER XD ALL VARIANTS
Page YDNXJA1A

BODY - BULKHEAD STIFFENERS - 110

III. Part No.	Description	Qty	Remarks
Bulkhead support brackets & fixings			
1	MTC4384	1	Bracket support RH
	MTC4385	1	Bracket support LH
2	MTC5608	1	Bracket fixing RH
	MTC5609	1	Bracket fixing LH
3	FS108257L	8	Screw M8 x 25
4	WL108001L	4	Washer spring M8
5	WA108051L	4	Washer plain M8
6	WC108051L	8	Washer plain M8
7	NY108041L	4	Nut nyloc M8
8	FS106207L	4	Screw M6 x 20
9	WA106041L	8	Washer plain M6
10	NY106047L	4	Nut nyloc M6

Seatbase support brackets & fixings			
11	MTC3052	1	Bracket RH
	MTC3051	1	Bracket LH
12	FS108257L	2	Screw M8 x 25
13	WC108051L	4	Washer plain M8
14	NY108041L	2	Nut nyloc M8

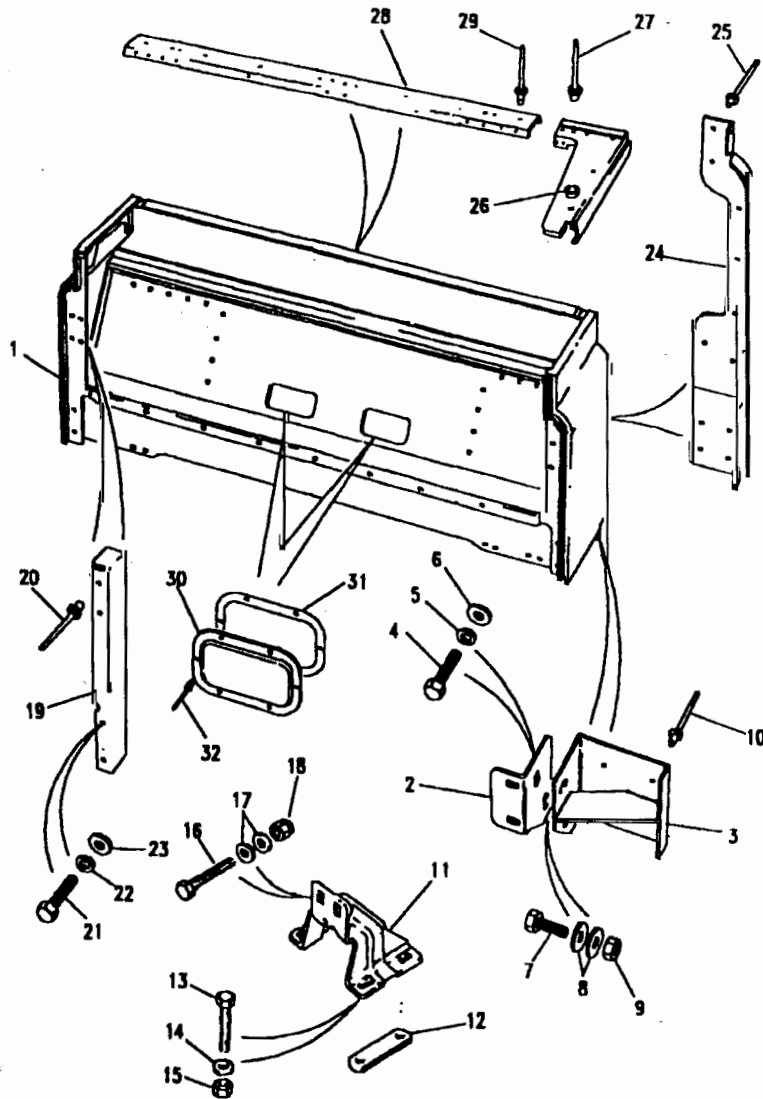




Model DEFENDER XD ALL VARIANTS
Page YDNXJA2A

BODY - CAB BASE ASSEMBLY - AMBULANCE

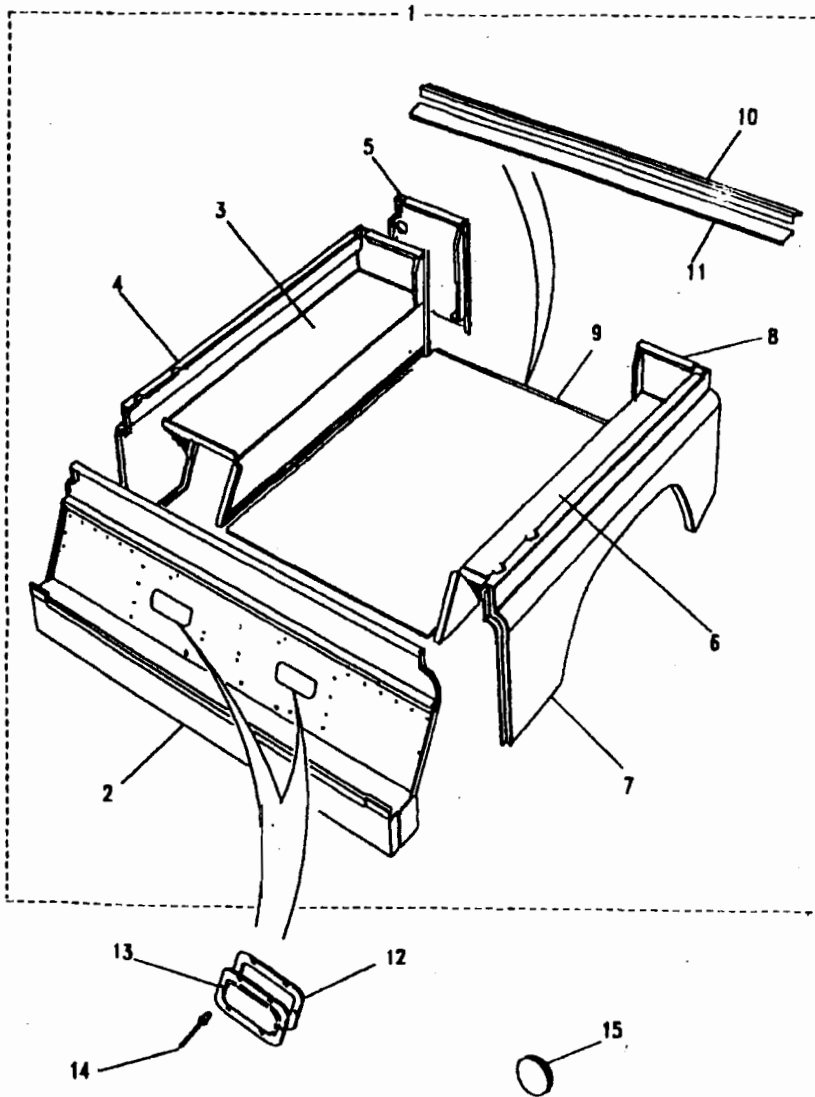
III. Part No.	Description	Qty	Remarks
Cab base welded assembly			
1	MWC9340 Cab base assembly	1	
Mountings - cab base to chassis - rear			
2	MTC2106 Angle mounting RH	1	
	MTC2107 Angle mounting LH	1	
3	MTC2224 Angle reinforcing RH	1	
	MTC2225 Angle reinforcing LH	1	
Fixings - angle mounting to chassis			
4	FS106167L Screw M6 x 16	4	
5	WL106001L Washer spring M6	4	
6	WA106041L Washer plain M6	4	
Fixings - angle mounting to angle reinforcing			
7	FS106167L Screw M6 x 16	4	
8	MRC5527 Washer plain	8	
9	NY106047L Nut nyloc M6	4	
Fixings - angle reinforcing to cab base			
10	78248 Rivet	8	
Mountings - cab base to chassis - front			
11	NRC6951 Bracket mtg body inner	2	
	NRC7053 Bracket mtg body outer	2	
Fixings - bracket to chassis			
12	NRC4693 Plate spreader	8	
13	SH106201 Screw M6 x 20	16	
14	WA106041L Washer plain M6	16	
15	NY106047L Nut nyloc M6	16	



Model DEFENDER XD ALL VARIANTS
Page YDNXJA2A

BODY - CAB BASE ASSEMBLY - AMBULANCE

III. Part No.	Description	Qty	Remarks
Fixings - bracket to cab base			
16	FS108207L	8	Screw M8 x 20
17	WA108051L	16	Washer plain M8
18	NY108041L	8	Nut nyloc M8
Cab base stiffeners & cappings			
19	MWC1820	1	Stiffener door pillar RH
	MWC1821	1	Stiffener door pillar LH
20	AFU1350	4	Monobolt
21	FS106167L	4	Screw M6 x 16
22	WL106001L	4	Washer spring M6
23	MRC5525	4	Washer plain
24	ALR1466	1	Angle corner protctn RH
	ALR1467	1	Angle corner protctn LH
25	78248	28	Rivet
26	MWC3320	1	Capping corner RH
	MWC3321	1	Capping corner LH
27	78248	1	Rivet
28	MWC2938	8	Capping bulkhead
29	RU612373L	40	Rivet
30	MUC6519	2	Plate cover cab base
31	MWC2129	2	Gasket
32	78248	12	Rivet

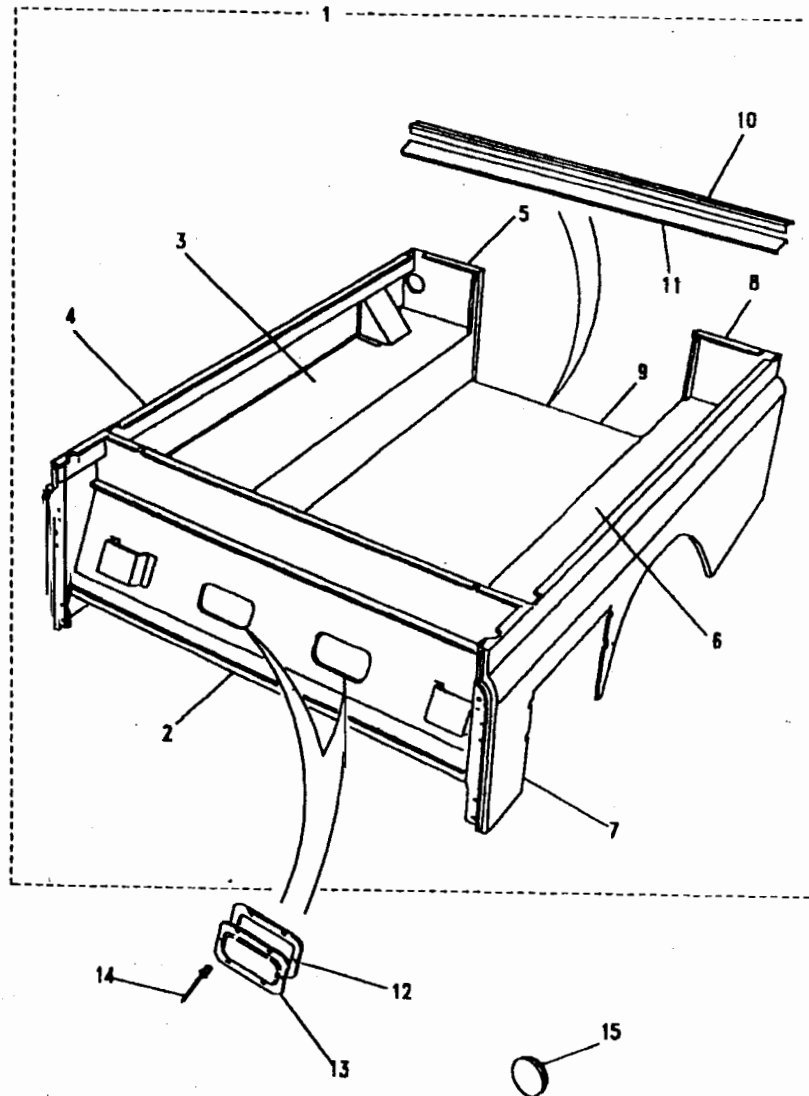


Model DEFENDER XD ALL VARIANTS
 Page YDNXKC1A

BODY - REAR BODY - 90

Ill. Part No.	Description	Qty	Remarks
1	ALR4714	1	Up to VA138479
	ASR2172	1	From WA138480
	AQA710250	1	Winterised
2	ALR4809	1	
	ABB710020	1	Winterised
3	ALR4716	1	
	ALA710340	1	Winterised
4	ASR2100	1	
5	ASR2516	1	
6	ALR4717	1	
	ALA710350	1	Winterised
7	ASR2101	1	
8	ASR2517	1	
9	MTC8185	1	
	AFB710060	1	Winterised
10	ALR9016	1	
11	ALR9015	1	
12	MWC2129	2	
13	MUC6519	2	
14	78248	12	
15	EYB10009L	1	Note(1)
	338023	1	
	338024	1	Note(2)
	368816	1	Clip fixing type
	IYB100000	1	Note(3)

Note(1) GS vehicles - for redundant FFR battery vent pipe hole.
 Note(2) GS vehicles - for redundant FFR terminal box lead hole.
 Note(3) GS waterproof vehicles - fitted to seat base extension panel.



Model DEFENDER XD ALL VARIANTS

Page YDNXKC1B

BODY - REAR BODY - 110

III. Part No.	Description	Qty	Remarks
1	ALR4708	1	Up to VA138479
	ASR2173	1	From WA138480
	AQA710240	1	Winterised
2	ALR4809	1	Winterised
	ABB710020	1	Winterised
3	ALR4710	1	Winterised
	ALA710320	1	Winterised
4	ASR2520	1	Winterised
5	ASR2516	1	Winterised
6	ALR4711	1	Winterised
	ALA710330	1	Winterised
7	ASR2521	1	Winterised
8	ASR2517	1	Winterised
9	330618	1	Winterised
	AFB710050	1	Winterised
10	ALR9016	1	Winterised
11	ALR9015	1	Winterised
12	MWC2129	2	
13	MUC6519	2	
14	78248	12	
15	EYB10009L	1	Note(1)
	338023	1	Note(2)
	338024	1	Note(2)
	368816	1	Clip fixing type
	IYB100000	1	Note(3)

Note(1)

GS vehicles - for redundant FFR battery vent pipe hole.

Note(2)

GS vehicles - for redundant FFR terminal box lead hole.

Note(3)

GS waterproof vehicles - fitted to seat base extension panel.

Model DEFENDER XD ALL VARIANTS

Page YDNXKC3A

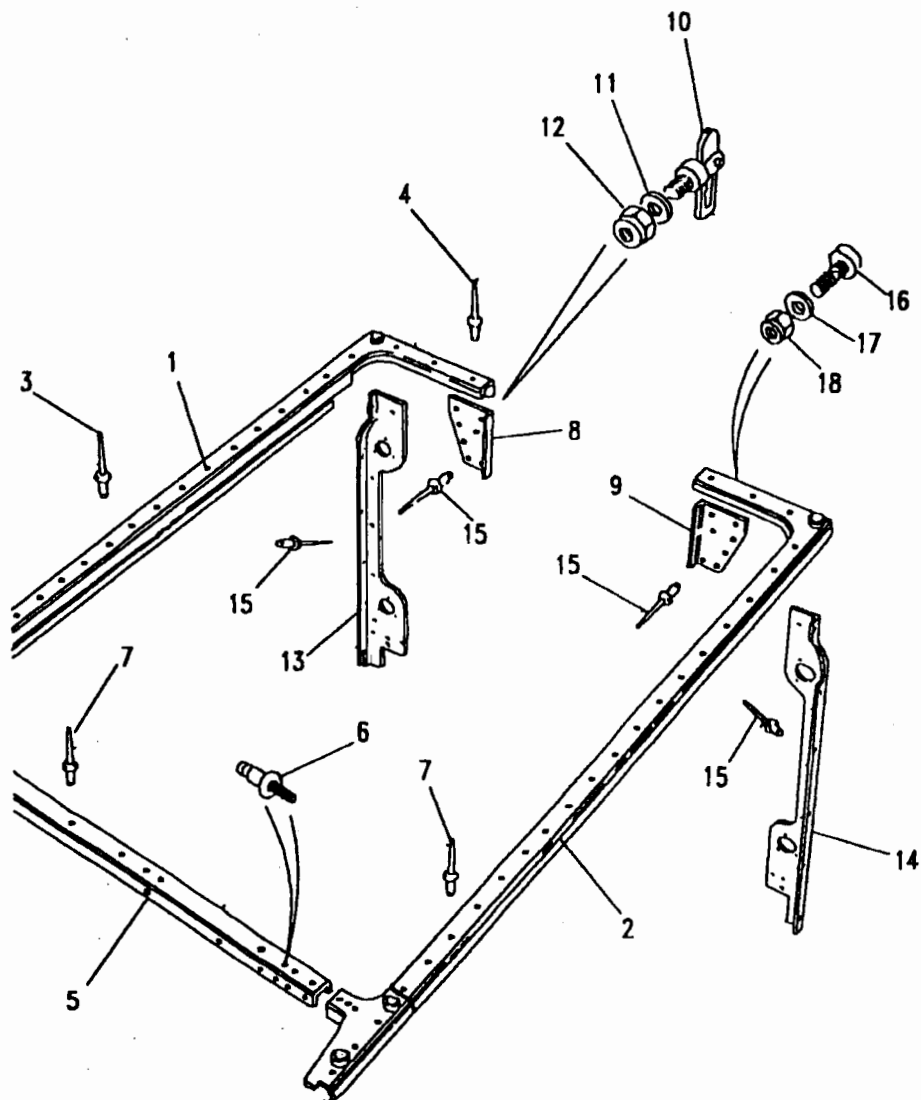
BODY - REAR BODY - CAPPINGS - 90

III. Part No.

Description

Qty Remarks

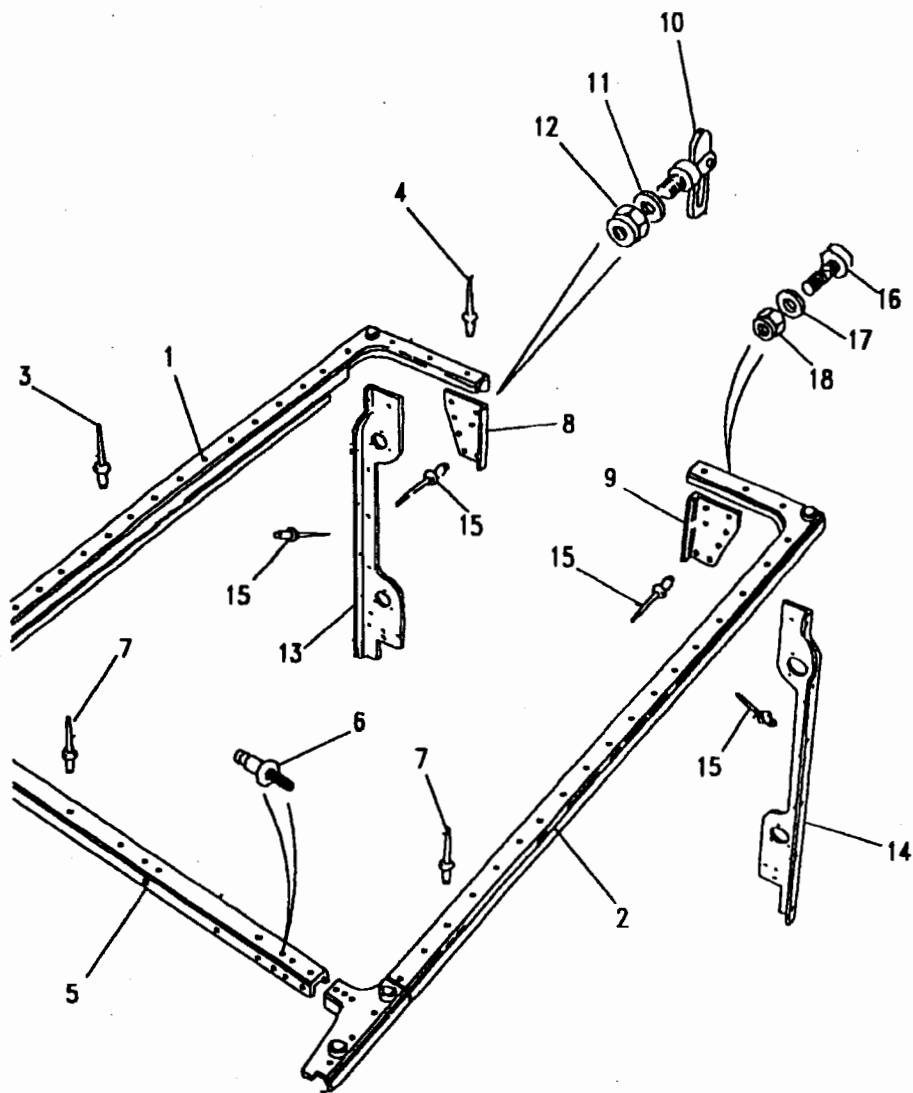
1	ALR9828	Capping top RH	1	
2	ALR9829	Capping top LH	1	
3	78248	Rivet	14)Side
4	BTR8535	Rivet	2)capping
5	ASR1418	Capping front panel	1	
6	AFU1350	Monobolt	12)Front panel
7	78248	Rivet	4)capping
8	MUC8730	Bracket corner RH	1	Up to VA109548
	ASR2452	Bracket corner RH	1	From VA109549
9	MUC8731	Bracket corner LH	1	Up to VA109548
	ASR2451	Bracket corner LH	1	From VA109549
10	RRC3967	Antiluce cotter	2	
11	WA112081L	Washer plain	2	
12	NY112041L	Nut	2	
13	ALR9104	Angle protection RH	1	Up to VA138479
	AQL710020	Angle protection RH	1	From WA138480
14	ALR9103	Angle protection LH	1	Up to VA138479
	AQL710030	Angle protection LH	1	From WA138480
15	78248	Rivet	A/R	
16	ALR6871	Bolt torx M10 x 25	1)Hard top only
17	WA110065	Washer plain M10	1)
18	NY110047L	Nut nyloc M10	1)



Model DEFENDER XD ALL VARIANTS
 Page YDNXKC3B

BODY - REAR BODY - CAPPINGS - 110

III. Part No.	Description	Qty	Remarks
1	ALR9826	1	Capping top RH
2	ALR9827	1	Capping top LH
3	78248	22	Rivet)Side
4	BTR8535	2	Rivet)capping
5	ASR1418	1	Capping front pannel
6	AFU1350	1	Monobolt
7	78248	12	Rivet)Front panel
8	MUC8730	4	Bracket corner RH)capping
	ASR2452	1	Bracket corner RH Up to VA109548
9	MUC8731	1	Bracket corner LH From VA109549
	ASR2451	1	Bracket corner LH Up to VA109548
10	RRC3967	1	Antiluce cotter From VA109549
11	WA112081L	2	Washer plain
12	NY112041L	2	Nut
13	ALR9104	1	Angle protection RH Up to VA138479
	AQL710020	1	Angle protection RH From WA138480
14	ALR9103	1	Angle protection LH Up to VA138479
	AQL710030	1	Angle protection LH From WA138480
15	78248	A/R	Rivet
16	ALR6871	1	Bolt torx M10 x 25)Hard top only
17	WA110065	1	Washer plain M10)
18	NY110047L	1	Nut nyloc M10)



Model DEFENDER XD ALL VARIANTS

Page YDNXKC4A

BODY - REAR BODY - MOUNTINGS - 90

III. Part No. Description Qty Remarks

Rear body crossmembers & fixings

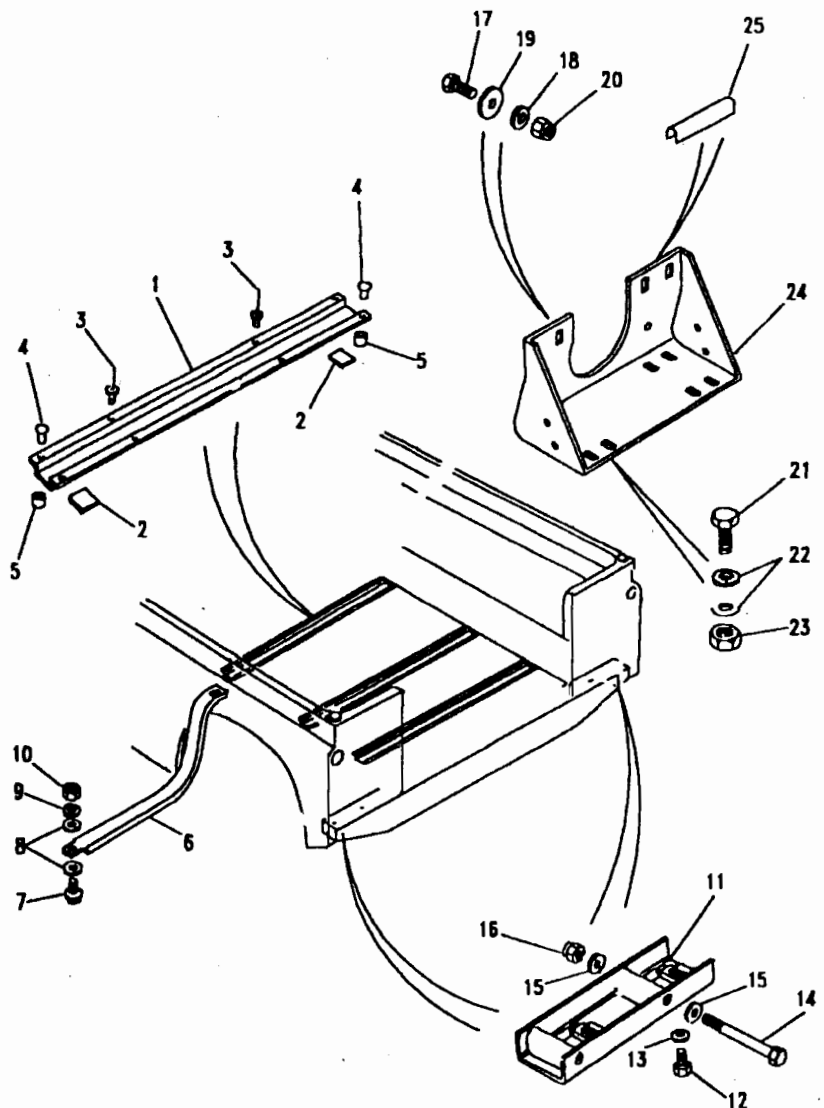
1	ALR7121	Crossmember/spacer floor	3	
2	332582	Pad mounting crossmember	6	
3	RU612373L	Rivet	12	
	78248	Rivet	12	
4	79281	Pin 8.74 - 10.31mm grip	A/R)Floor plate
	79283	Pin 2.39 - 7.14mm grip	A/R)fixings
	79293	Pin	A/R)
5	AAU6774	Collar	A/R)

Body side stays & fixings

6	MUC9220	Stay	2	
7	FS106207L	Screw M6 x 20	4	
8	WA106041L	Washer plain	8	
9	WL106001L	Washer spring	4	
10	NH106041L	Nut M6	4	

Fixings - body to chassis - rear

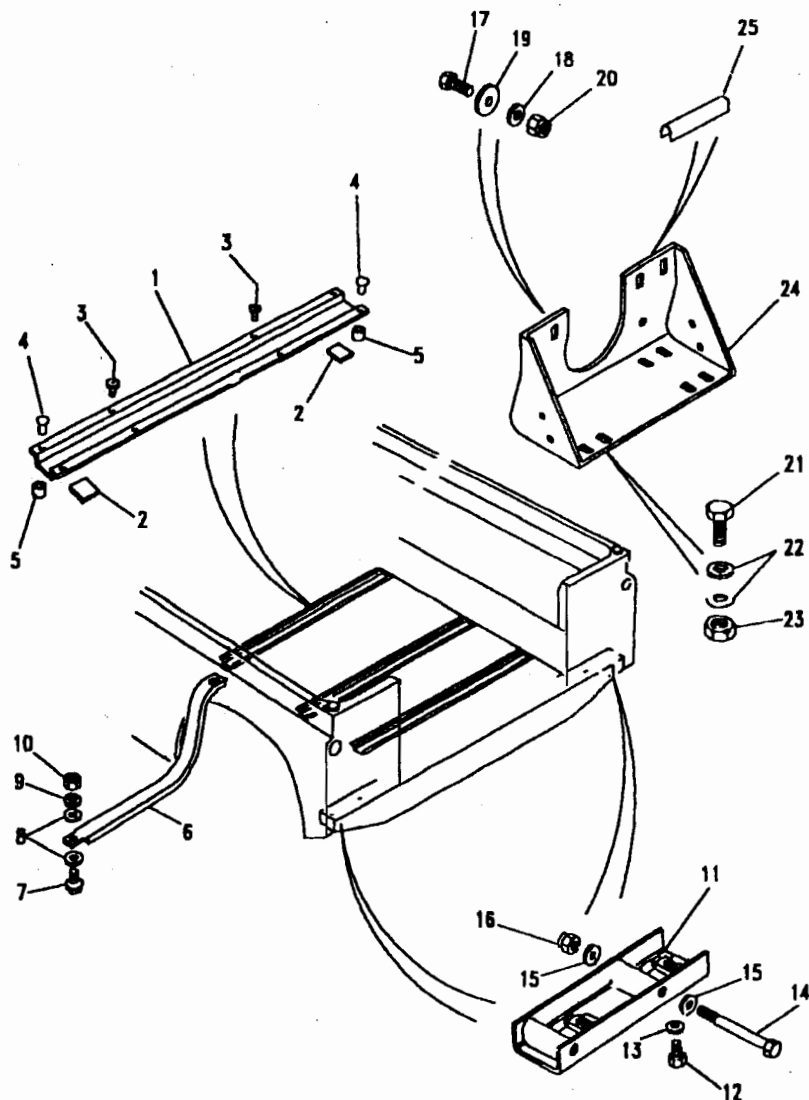
11	ANR5901	Bracket body mount rear	2	
12	SH110201L	Screw M10 x 20	2)Bracket
13	WA110001L	Washer plain M10	2)to chassis
14	BH110221	Bolt M10 x 110	2)Bracket
15	WA110061L	Washer plain	4)to body
16	NY110047L	Nut nyloc M10	2)

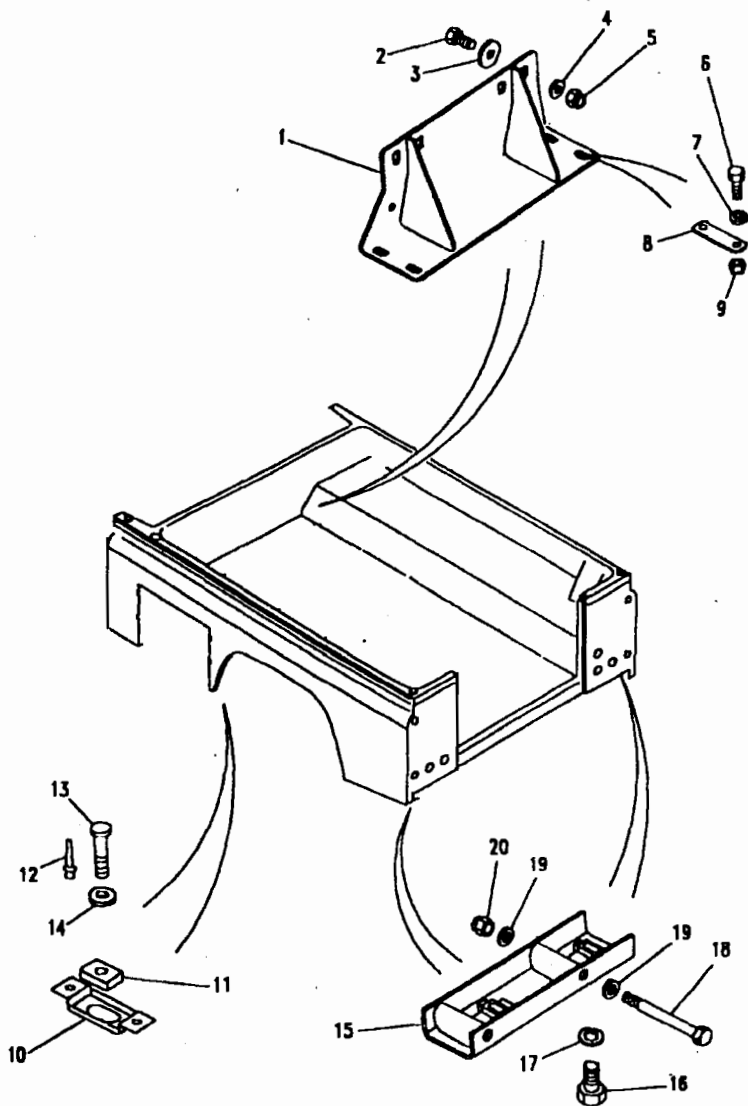


Model DEFENDER XD ALL VARIANTS
 Page YDNXKC4A

BODY - REAR BODY - MOUNTINGS - 90

III. Part No.	Description	Qty	Remarks
Fixings - body to chassis - front			
17	SH108251	4)Bracket
18	WC108051	4)to body
19	AFU1079	4)
20	NY108041L	4)
21	FS106207L	8)Bracket
22	WA106041L	16)to chassis
23	NY106047L	8)
24	ANR5889	2)
25	570753	2)



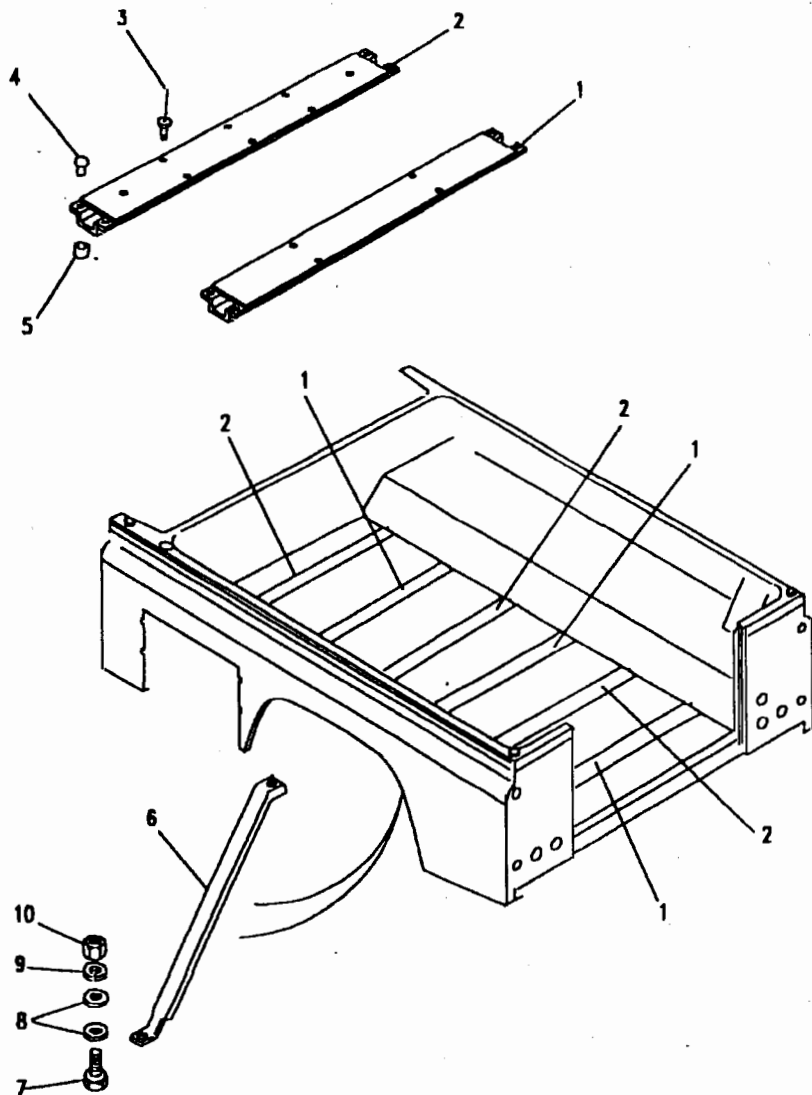


Model DEFENDER XD ALL VARIANTS

Page YDNXKC4B

BODY - REAR BODY - MOUNTINGS - 110

III. Part No.	Description	Qty	Remarks
Fixings - body to chassis - front			
1 ANR3812	Bracket body mounting	2	
2 SH108251	Screw M8 x 25	4)Bracket
3 AFU1079	Washer plain	4)to body
4 WC108051	Washer plain	4)
5 NY108041L	Nut nyloc M8	4)
6 SH106201	Screw M6 x 20	4)Bracket
7 WA106041	Washer plain	4)to chassis
8 NRC4693	Plate spreader	2)
9 NY106041	Nut nyloc M6	4)
Fixings - body to chassis - intermediate			
10 ANR4631	Tapping plate retainer	6	
11 ANR4632	Tapping plate M8	6	
12 RA612157	Rivet	12	
13 ANR5099	Bolt M8 x 45	6	
14 WC108051	Washer plain	6	
Fixings - body to chassis - rear			
15 ANR5901	Bracket body mount rear	2	
16 SH110201L	Screw M10 x 20	2)Bracket
17 WA110001L	Washer plain M10	2)to chassis
18 BH110221	Bolt M10 x 110	2)Bracket
19 WA110061L	Washer plain	4)to body
20 NY110047L	Nut nyloc M10	2)



Model DEFENDER XD ALL VARIANTS
Page YDNXKC4C

BODY - REAR BODY - MOUNTINGS - 110

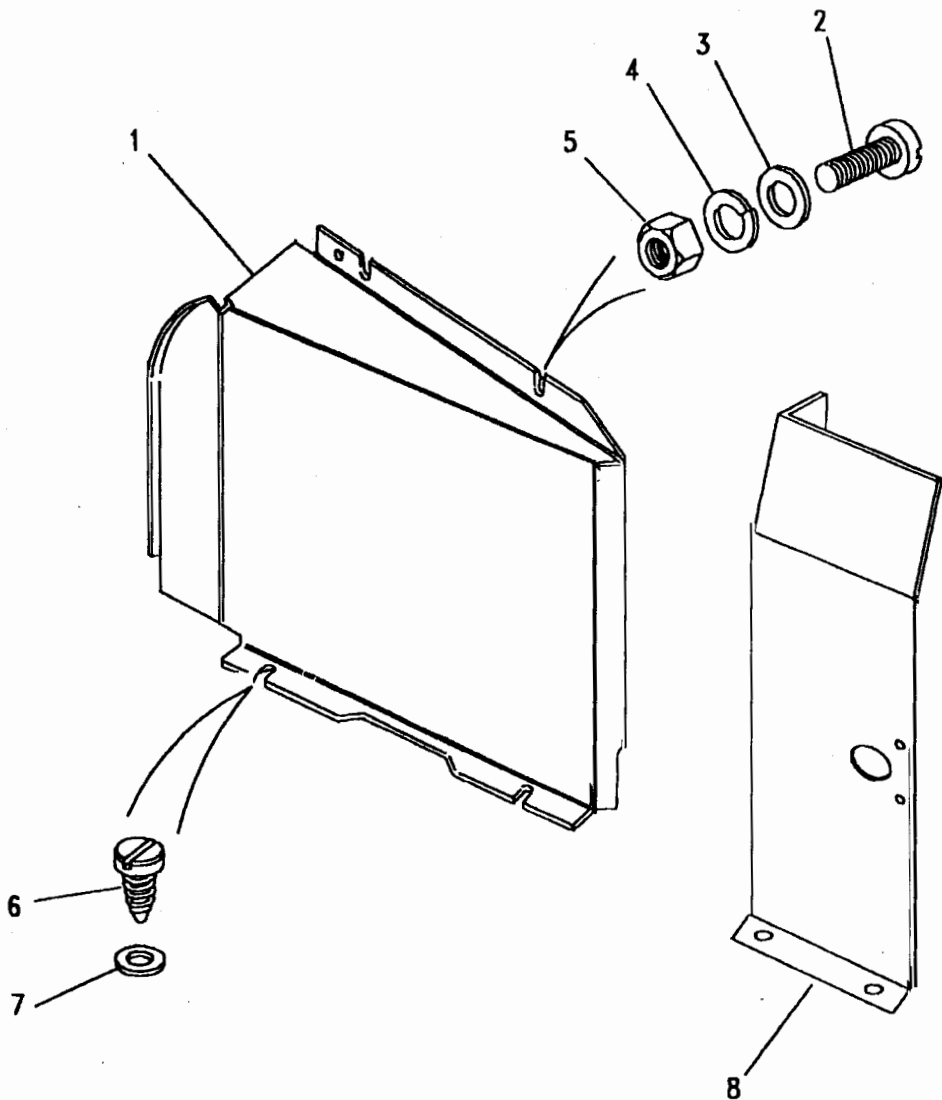
Ill. Part No.	Description	Qty	Remarks
Rear body crossmembers & fixings			
1	ALR7072	3	
2	ALR7121	3	
3	78248	24)Floor plate
4	79281	A/R)fixings
	79283	A/R)
	79293	A/R)
5	AAU6774	A/R)
Body side stays & fixings			
6	MRC6027	1	
	MRC6028	1	
7	SE106201L	2	
8	WA106041L	4	
9	WL106001L	2	
10	NH106041L	2	



Model DEFENDER XD ALL VARIANTS
 Page YDNXKC5A

BODY - REAR BODY - LAMP COVER PANELS

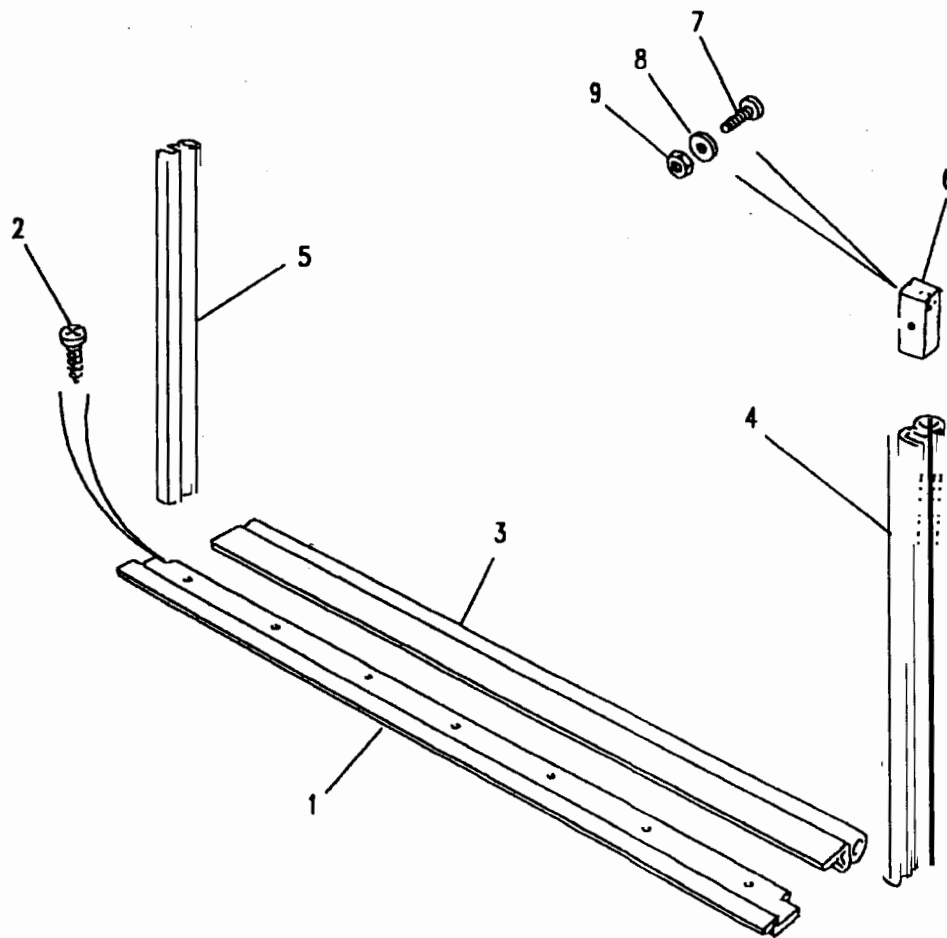
Ill. Part No.	Description	Qty	Remarks
1	MTC7878	1	
	MTC7879	1	
2	SE105121L	5	
3	WC105001L	10	
4	WL105001L	5	
5	NH105041L	5	
6	AB608031L	6	
7	WC105001L	6	
8	IPK100170	1	Winterised hard top

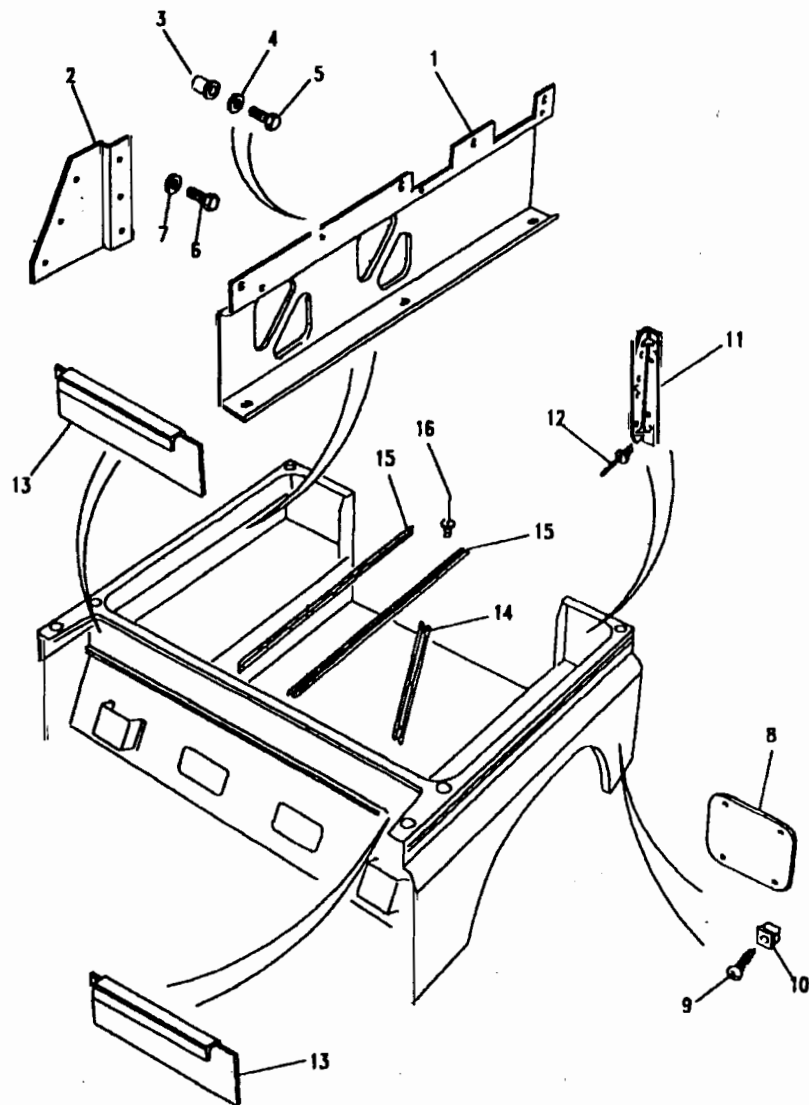


Model DEFENDER XD ALL VARIANTS
 Page YDNXKC6A

BODY - REAR BODY - TAILGATE SEALS

III. Part No.	Description	Qty	Remarks
1	ALR4769	1	Retainer seal and mat
2	AB606057	7	Screw No6 x 5/8
3	ALR4770	1	Seal tailgate floor
4	MTC4165	1	Seal tailgate LH
5	MTC4164	1	Seal tailgate RH
6	332146	2	Buffer rubber
7	SP104121	2	Screw M4 x 12
8	WC104001	2	Washer plain M4
9	NY104041L	2	Nut nyloc M4





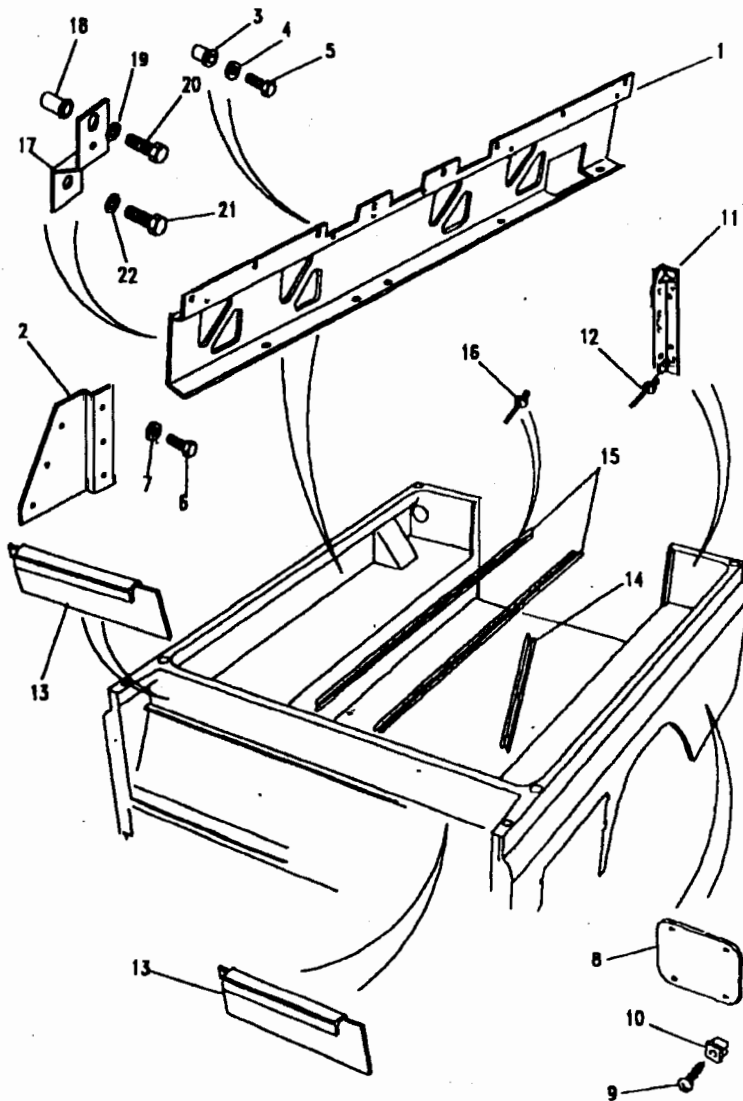
Model DEFENDER XD ALL VARIANTS

Page YDNXKC8A

BODY - REAR BODY - INNER PANELS - 90

III. Part No.	Description	Qty	Remarks
1 ASR2358	Panel bodyside inner RH	1	
ASR2359	Panel bodyside inner LH	1	
2 ASR2362	Plate extension RH	1	
ASR2363	Plate extension LH	1	
3 ASR1184	Nutsert M10	5)Panel
4 WA110061L	Washer plain M10	5)to capping
5 SH110201	Screw M10 x 20	5)
6 SH110201	Screw M10 x 20	3)Fixing
7 WA110061L	Washer plain M10	2)extension plate
8 ANR1859	Panel lamp access	2	
9 AB606031	Screw	4)Panel
10 RTC3745	Nut lokut	4)to body
11 ASR1797	Bracket reinforcing	2	
12 78248	Rivet angle to body	4	
13 ALR6725	Panel stiffener bulkhead	2	
14 RRC3925	Tread plate front panel	3)Note(1)
15 335832	Tread plate floor/w arch	5)
16 78248	Rivet fixing tread plate	A/R)

Note(1) Not fitted to winterised variants.



Model DEFENDER XD ALL VARIANTS
Page YDNXKC8B

BODY - REAR BODY - INNER PANELS - 110

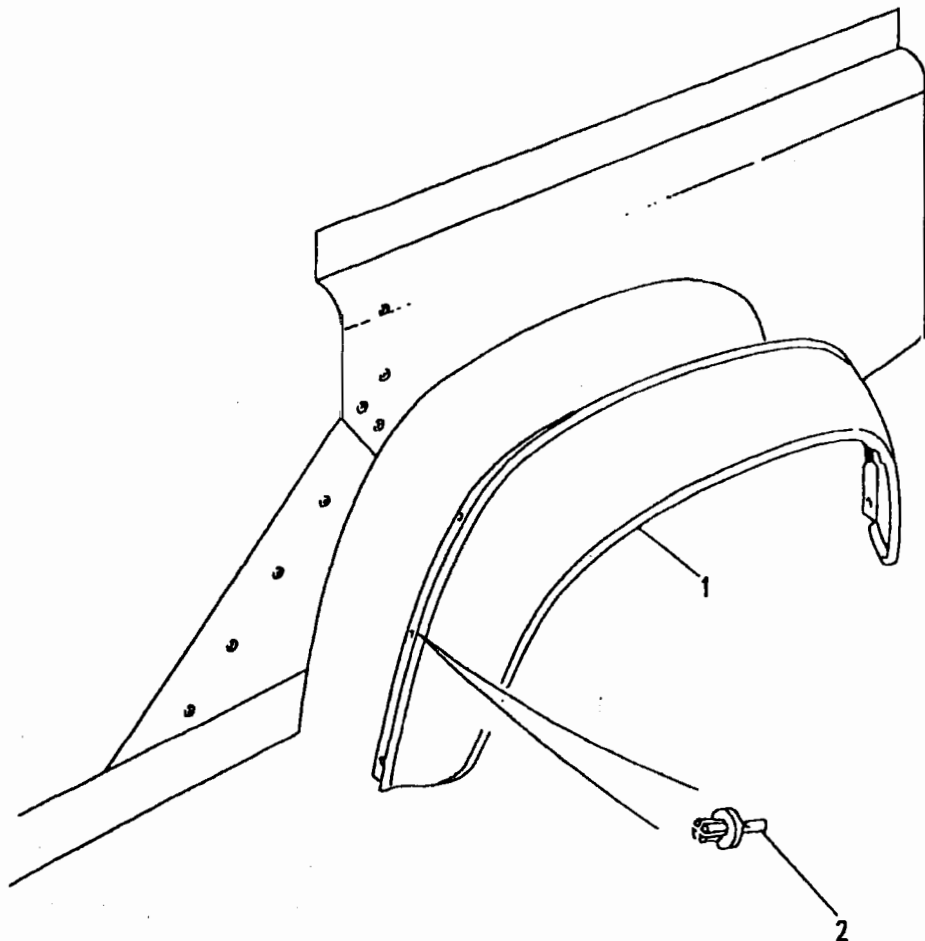
Ill. Part No.	Description	Qty	Remarks
1 ASR2354	Panel bodyside inner RH	1	
ASR2355	Panel bodyside inner LH	1	
2 ASR2362	Plate extension RH	1	
ASR2363	Plate extension LH	1	
3 ASR1184	Nutsert M10	8)Panel
4 WA110061L	Washer plain M10	8)to capping
5 SH110201	Screw M10 x 20	8)
6 SH110201	Screw M10 x 20	3)Fixing
7 WA110061L	Washer plain M10	3)extension plate
8 ANR1859	Panel lamp access	2	
9 AB606031	Screw	4)Panel
10 RTC3745	Nut lokut	4)to body
11 ASR1797	Bracket reinforcing	2	
12 78248	Rivet angle to body	4	
13 ALR6725	Panel stiffener bulkhead	2	
14 RRC3925	Tread plate front panel	3)Note(1)
15 RRC3945	Tread plate floor/w arch	5)
16 78248	Rivet fixing tread plate	A/R)
17 ALR9009	Bracket seat mounting	2	
18 ASR1184	Nutsert M10	1)Bracket
19 WA110061L	Washer plain	1)to capping
20 SH110201	Screw M10 x 20	1)
21 SH106201	Screw M6 x 20	1)Bracket
22 WA106041L	Washer plain	1)to body

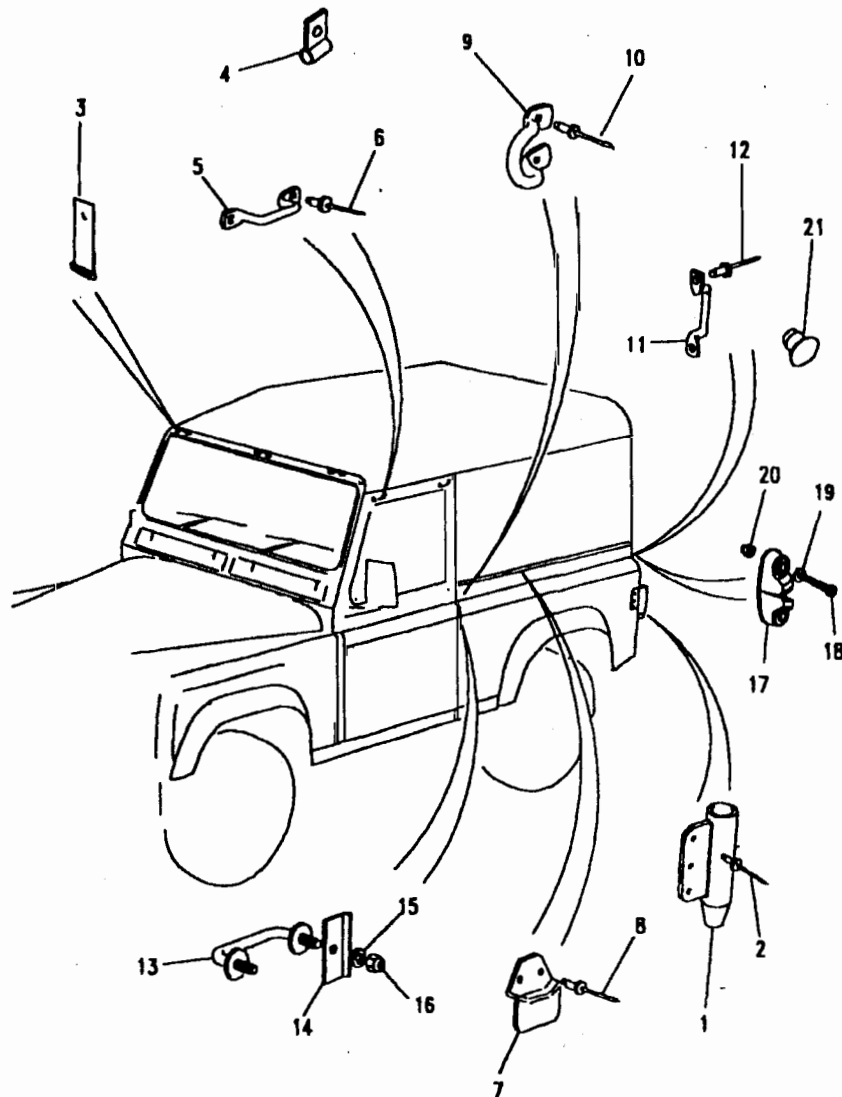
Note(1) Not fitted to winterised variants.

Model DEFENDER XD ALL VARIANTS
Page YDNXKC9A

BODY - REAR BODY - WHEELARCH EYEBROWS

III. Part No.	Description	Qty	Remarks
1 MRC8420	Eyebrow rear	2	Up to VA138479
ALO710010	Eyebrow rear	2	From WA138480
2 AFU1075	Rivet plastic	24	



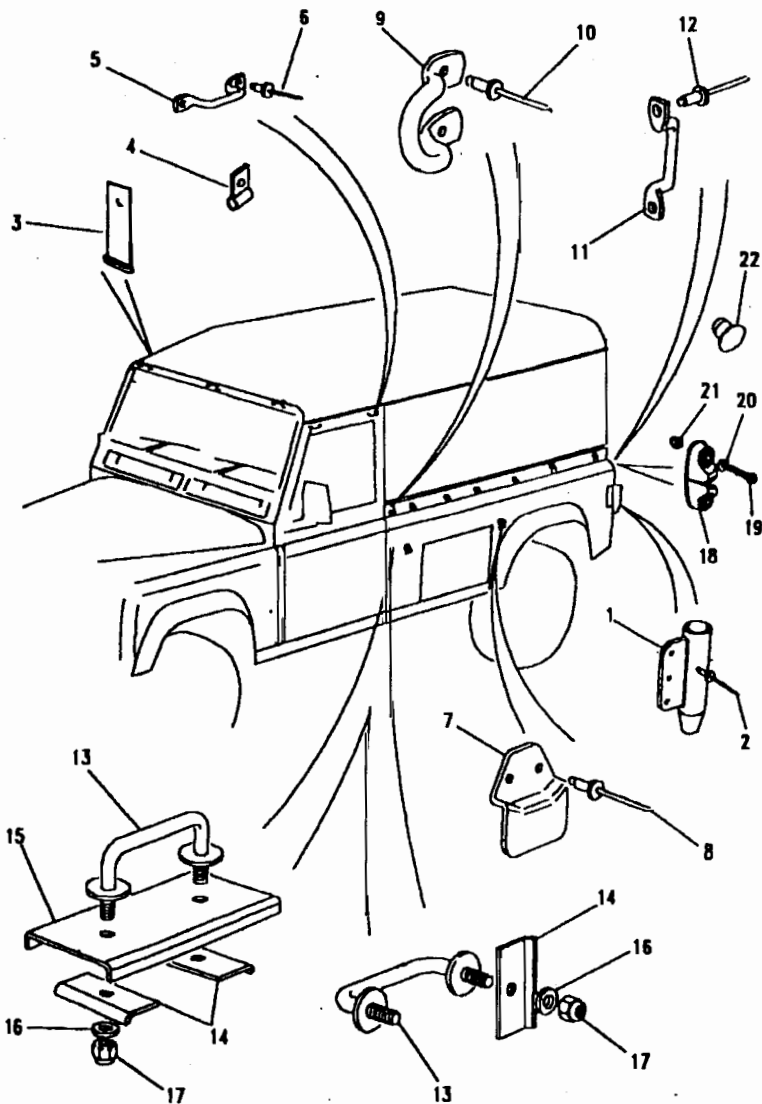


Model DEFENDER XD ALL VARIANTS
 Page YDNXKC7A

BODY - FLAG HOLDER, LASHING STAPLES & CLEATS - 90

III. Part No.	Description	Qty	Remarks
1	RRC7932	2	
2	BTR8535	3	
3	RRC8745	4	Up to VA129511
	IPM100010	4	From VA129512
4	RRC8763	4	
5	RRC3966	4	
6	RR612063	4	
7	MWC8648	2	
8	78248	14	
9	345699	2	
10	RU612373L	2	
11	RRC3966	2	
12	78248	2	
13	RRC3588	2	
14	RRC3674	6	
15	WC106041L	12)Cleat to
16	NY106047L	12)wheelarch/
17	RRC8002	12)bulkhead
18	SE105301	4	
19	WA105001	8)Fixing
20	NY105041L	8)cam cleat
21	MXC8709	8)
		8	Note(1)

Note(1) For blanking cam cleat holes on hard top vehicles.



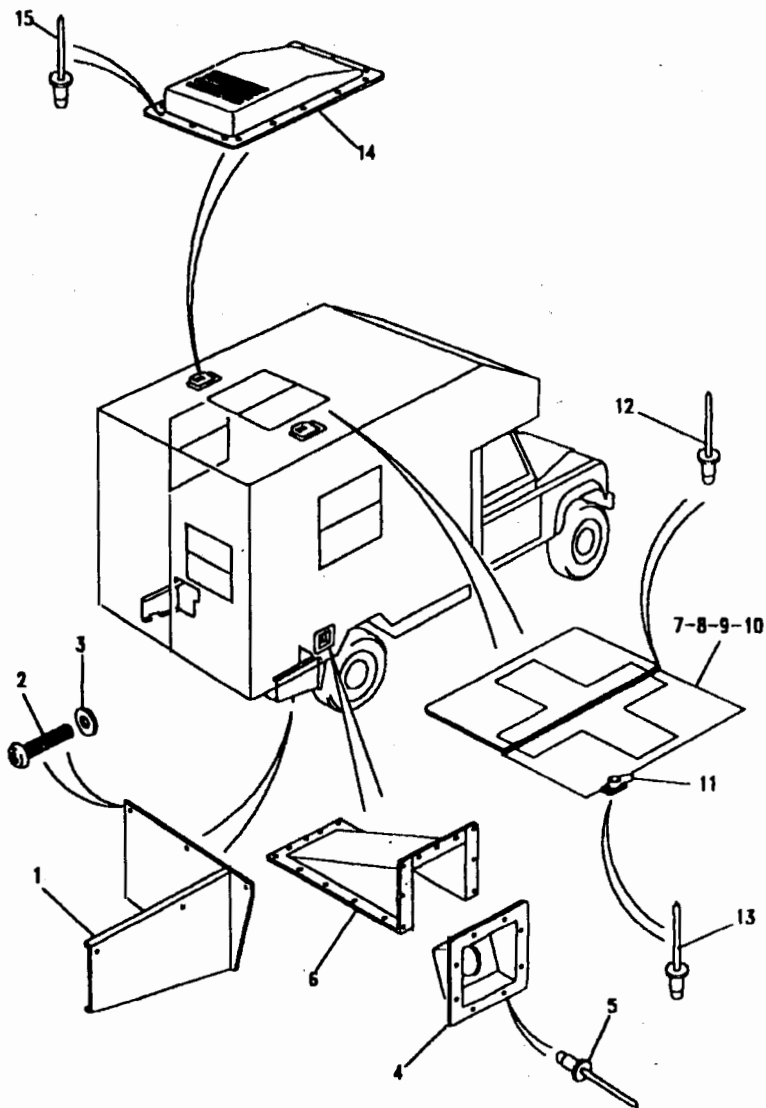
Model DEFENDER XD ALL VARIANTS

Page YDNXKC7B

BODY - FLAG HOLDER, LASHING STAPLES & CLEATS - 110

III. Part No.	Description	Qty	Remarks
1 RRC7932	Holder flag rear	2	
2 BTR8535	Rivet fixing flag holder	3	
3 RRC8745	Strap assembly hood front	4	Up to VA129511
IPM100010	Strap assembly hood front	4	From VA129512
4 RRC8763	Strap assembly hood rail	4	
5 RRC3966	Staple sidescreen cover	4	
6 RR612063	Rivet staple to s/screen	2	
7 MWC8648	Cleat rope	18	
8 78248	Rivet cleat to body	2	
9 345699	Hook rope	2	
10 RU612373L	Rivet hook to body	2	
11 RRC3966	Staple	2	
12 78248	Rivet staple to body	2	
13 RRC3588	Cleat lashing	10	
14 RRC3674	Plate angle	20)Cleat to
15 RRC8142	Plate reinforcing floor	2)bulkhead/
16 WC106041L	Washer plain	20)wheelarch/
17 NY106047L	Nut M6 nyloc	20)floor
18 RRC8002	Cam cleat hood rope	4	
19 SE105301	Screw M5 x 30	8)Fixing
20 WA105001	Washer plain M5	8)cam cleat
21 NY105041L	Nut nyloc M5	8)
22 MXC8709	Plug blanking 6.3mm	8	Note(1)

Note(1) For blanking cam cleat holes on hard top vehicles.



Model DEFENDER XD ALL VARIANTS
 Page YDNXKE1A

BODY - BODY PANELS - AMBULANCE

III. Part No. Description Qty Remarks

Note - For major panel repair, refer to workshop manual.
 STC3667 Kit body repair A/R Less sealant

Body panels

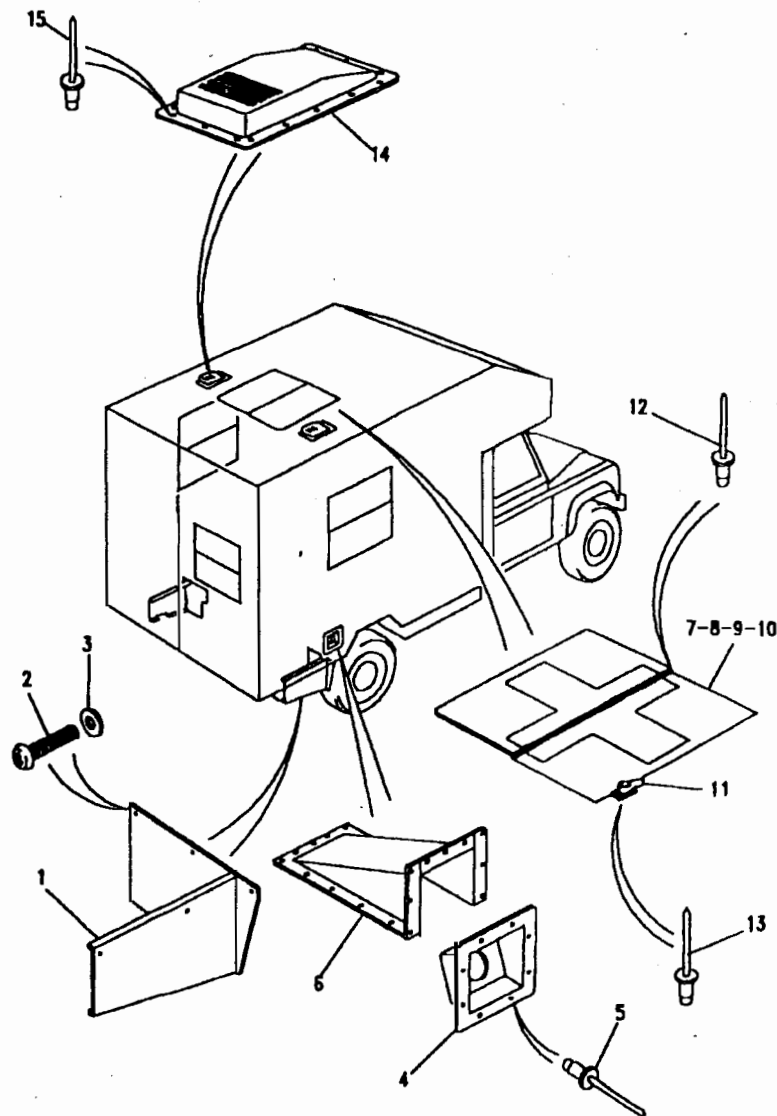
1	STC2555	Panel wing rear RH	1
	STC2554	Panel wing rear LH	1
2	SE106201L	Screw pan hd M6 x 20	12
3	STC2421	Washer plain M6	12
4	STC2524	Panel fuel filler	1
5	STC2452	Rivet dome hd 3/16	8
6	STC3663	Panel fuel filler cover	1

Red Cross panels

7	STC2532	Red Cross flap	3)Sides & roof
8	STC3465	Decal half cross	6)
9	STC2533	Red Cross flap	1)Rear
10	STC3466	Decal half cross	2)
11	STC2471	Fastener	8	
12	STC3464	Rivet csk hd 5/32	34	
13	RN608223	Rivet csk hd 1/8	32	

Roof ventilator panels

14	STC3467	Ventilator assembly	2
15	STC3468	Rivet dome hd 5/32	20



Model DEFENDER XD ALL VARIANTS
Page YDNXKE1A

BODY - BODY PANELS - AMBULANCE

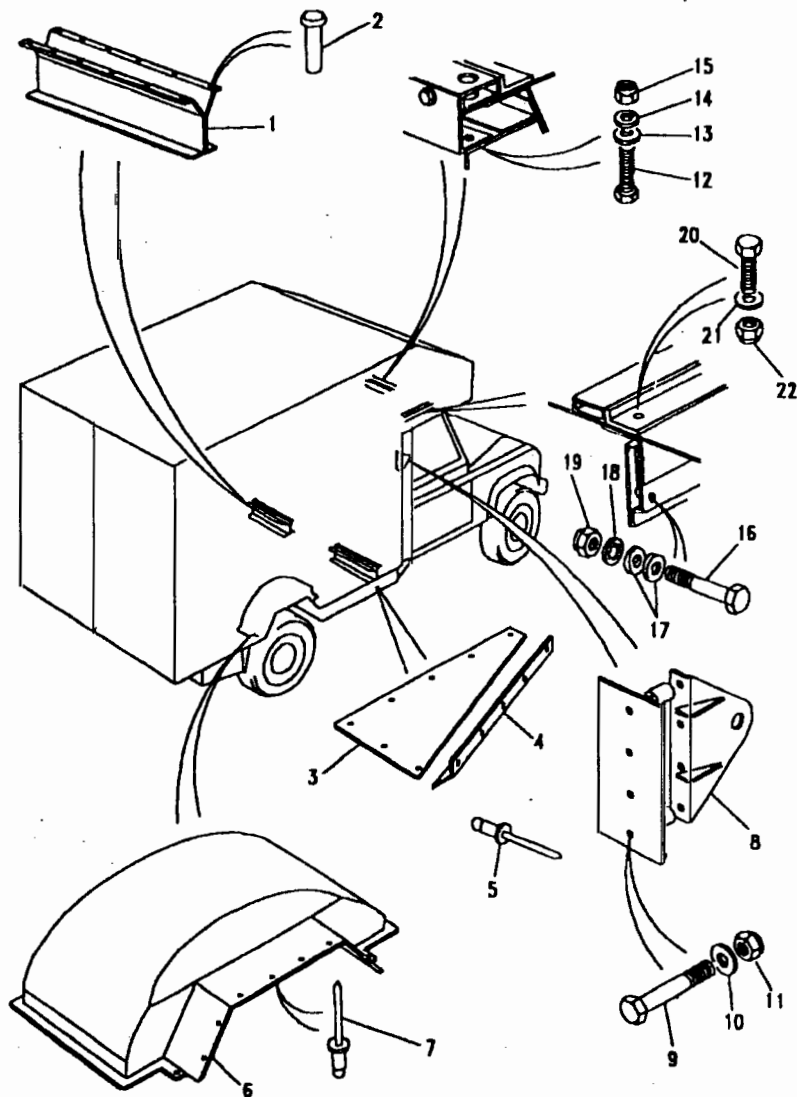
III. Part No. Description Qty Remarks

Fixings - body structure

STC2453	Monobolt dome hd 1/4	A/R
AFU1843	Monobolt csk hd 3/16	A/R Aluminium
IYQ100000	Monobolt csk hd 3/16	A/R Steel
STC2452	Rivet dome hd 3/16	A/R
STC3464	Rivet csk hd 5/32	A/R

Adhesive & sealant

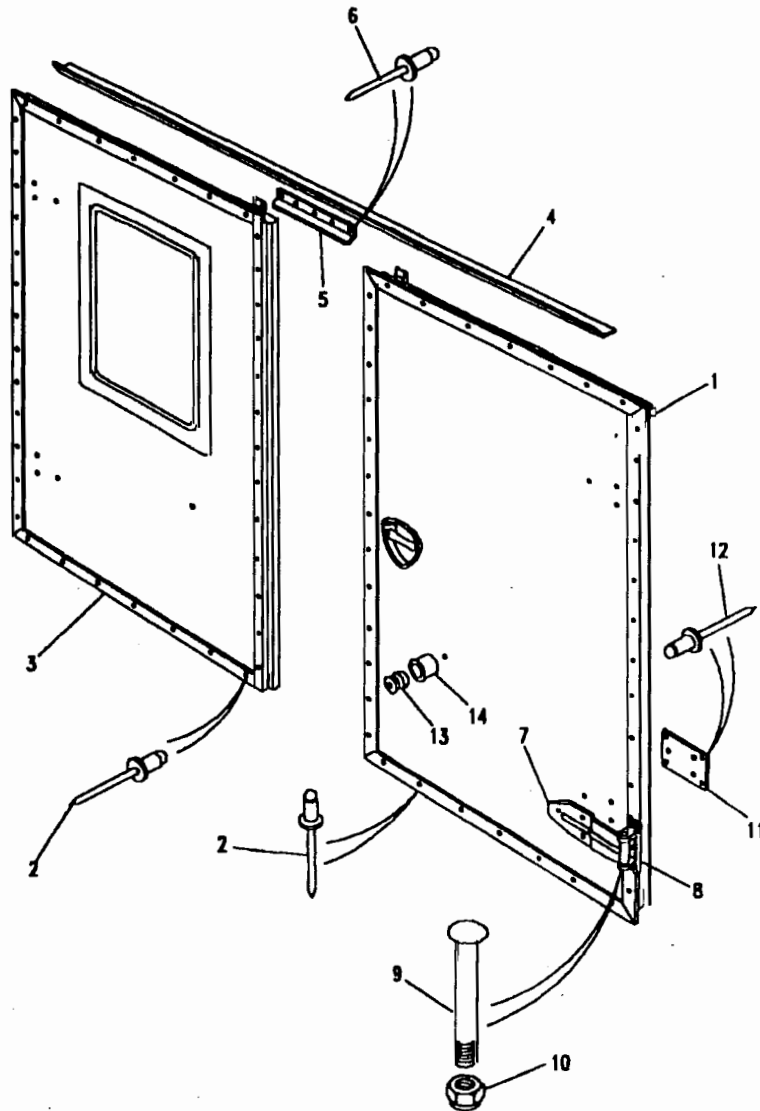
STC2426	Adhesive Bostik 1GA516	A/R 1ltr
STC2439	Adhesive Permabond F241	A/R 320ml
STC2427	Sealant Sikaflex 221	A/R Black 310ml
STC2428	Sealant Sikaflex 221	A/R White 310ml
STC2505	Screwlock Loctite 222	A/R 50ml



Model DEFENDER XD ALL VARIANTS
Page YDNXKE2A

BODY - BODY MOUNTINGS - AMBULANCE

Ill. Part No.	Description	Qty	Remarks
Body lower mountings			
1	STC2521	2	Bracket mounting
2	STC2453	24	Monobolt dome hd 1/4
3	STC3932	1	Panel filler bottom RH
	STC3933	1	Panel filler bottom LH
4	STC3934	1	Angle filler bottom RH
	STC3935	1	Angle filler bottom LH
5	STC2452	10	Rivet dome hd 3/16
6	STC3645	2	Wheel-box
7	STC2452	62	Rivet dome hd 3/16
Fixings - bulkhead panel			
8	STC2525	2	Bracket anchorage
9	STC2723	6	Bolt M8 x 45
10	STC2724	14	Washer plain M8
11	NY108041L	8	Nut nyloc M8
Fixings - body to screen - top			
12	STC2410	29	Screw M6 x 25
13	STC2421	29	Washer plain M6
14	STC2424	17	Washer shakeproof M6
15	NY106041L	12	Nut nyloc M6
Fixings - body to screen - side			
16	STC2723	2	Bolt M8 x 45
17	STC2422	2	Washer plain M8
18	STC2425	2	Washer shakeproof
19	NY108041L	2	Nut nyloc M8
20	SH108251L	16	Screw M8 x 25
21	STC2422	16	Washer plain M8
22	NY108041L	16	Nut nyloc M8

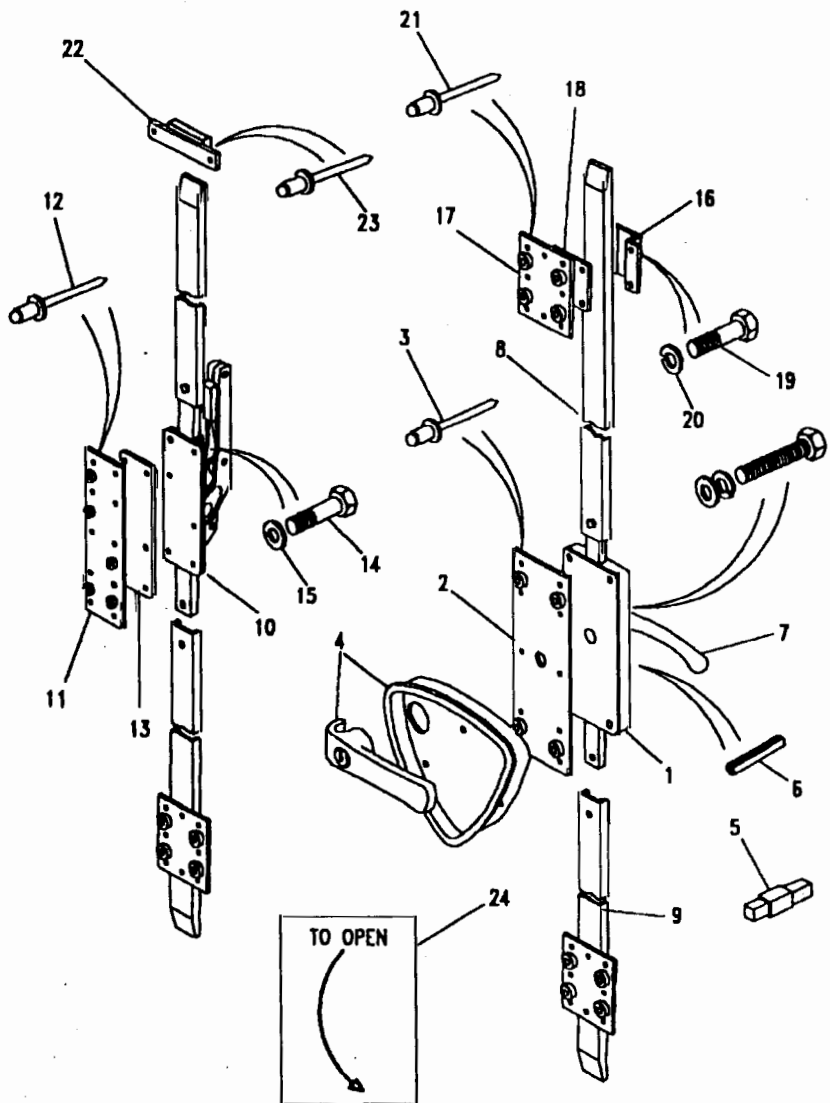


Model DEFENDER XD ALL VARIANTS

Page YDNXKE3A

BODY - REAR END DOORS - AMBULANCE

III. Part No.	Description	Qty	Remarks
Rear doors			
1 STC2591	Door rear end RH	1	
2 STC2751	Rivet csk hd 4.8mm	23	
3 STC2590	Door rear end LH	1	
2 STC2751	Rivet csk hd 4.8mm	22	
Rear door water sheds			
4 STC2570	Watershed upper	1	Long
5 STC2732	Watershed lower	1	Short
6 STC2452	Rivet dome hd 3/16	A/R	
Rear door hinges			
7 STC2435	Hinge	4	
8 STC2617	Bracket hinge	4	
9 STC2436	Pin hinge	4	
10 STC2437	Nut hinge	4	
11 STC2731	Plate washer	4)Backing hinge
12 STC2704	Rivet dome hd 4.8mm	16)
Rear door holders			
13 STC2442	Retainer door male	2	
14 STC2441	Retainer door female	2	
Rear door seal			
STC3632	Seal strip door rubber	A/R	10m length
Adhesive & sealant			
STC2426	Adhesive Bostik 1GA516	A/R	11r
STC2439	Adhesive Permabond F241	A/R	320ml
STC2427	Sealant Sikaflex 221	A/R	Black 310ml
STC2428	Sealant Sikaflex 221	A/R	White 310ml
STC2505	Screwlock Loctite 222	A/R	50ml



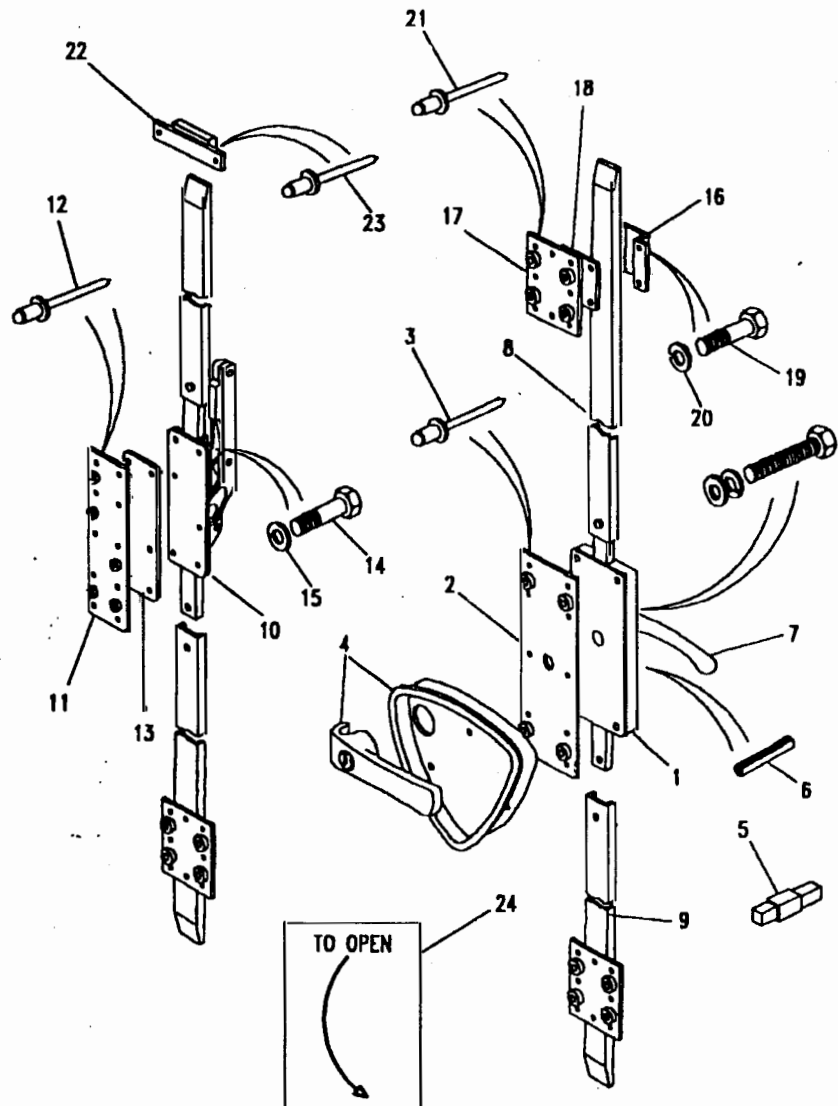
Model DEFENDER XD ALL VARIANTS

Page YDNXKE4A

BODY - REAR END DOOR LATCHES - AMBULANCE

III. Part No.	Description	Qty	Remarks
Latch mechanism - RH door			
1	STC2432	1	Latch assembly
2	STC2599	1	Plate centre lock
3	STC2751	10	Rivet csk hd 4.8mm
4	STC2438	1	Handle exterior dish
5	STC3936	1	Shaft square
6	STC2440	2	Pin spirol
7	STC2434	1	Handle interior
8	STC3493	1	Rod locking upper
9	STC2645	1	Rod locking lower
Latch mechanism - LH door			
10	STC2447	1	Bolt catch & rod assy
11	STC2600	1	Plate bolt catch
12	STC2751	10	Rivet csk hd 4.8mm
13	STC2615	1	Packer
14	STC3382	6	Bolt M4 x 20
15	STC2423	6	Washer shakeproof M4
Rod guides			
16	STC2433	4	Guide runner
17	STC2601	4	Plate guide runner
18	STC2606	4	Strip wear
19	STC3379	16	Bolt M6 x 20
20	STC2424	16	Washer shakeproof M6
21	STC2751	24	Rivet csk hd 4.8mm

Note(1) Supplied with lock and keys.

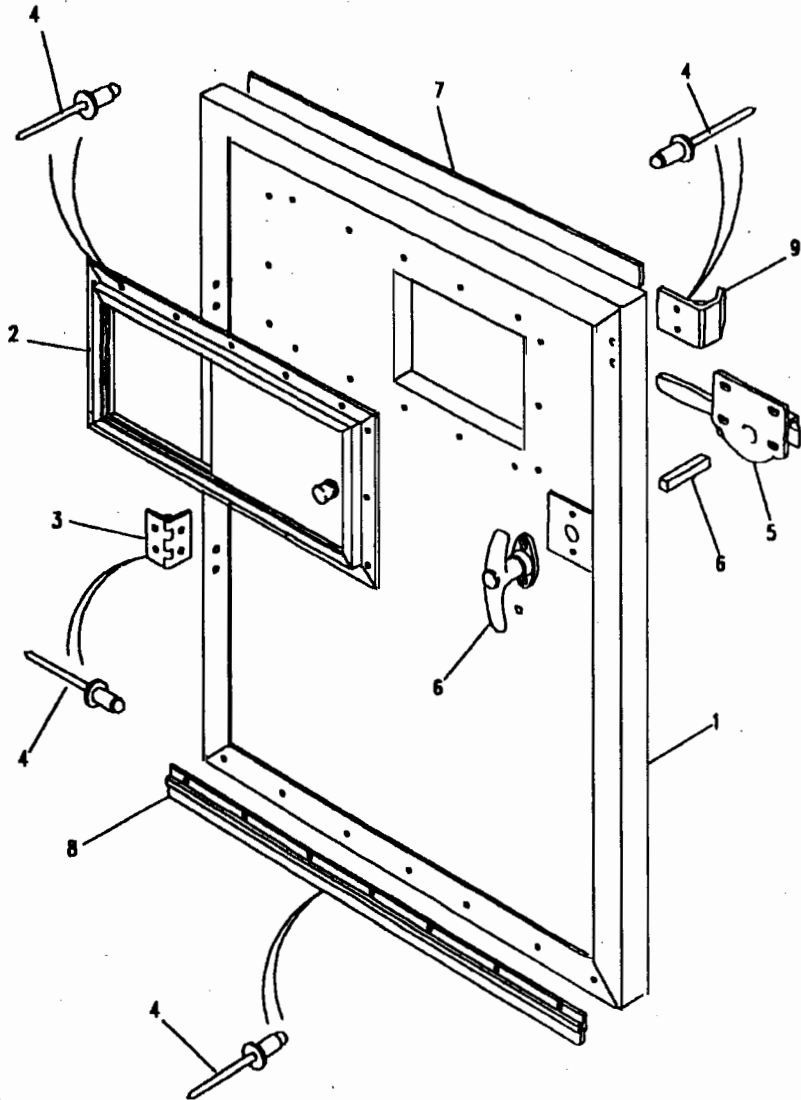


Model DEFENDER XD ALL VARIANTS

Page YDNXKE4A

BODY - REAR END DOOR LATCHES - AMBULANCE

Ill. Part No.	Description	Qty	Remarks
Striker plates - upper			
22	STC2603	2	Plate striker top
23	STC2704	4	Rivet dome hd 4.8mm
Label RH door handle			
24	K315091	1	Label door latch
Adhesive & sealant			
STC2505	Screwlock Loctite 222	A/R	50ml

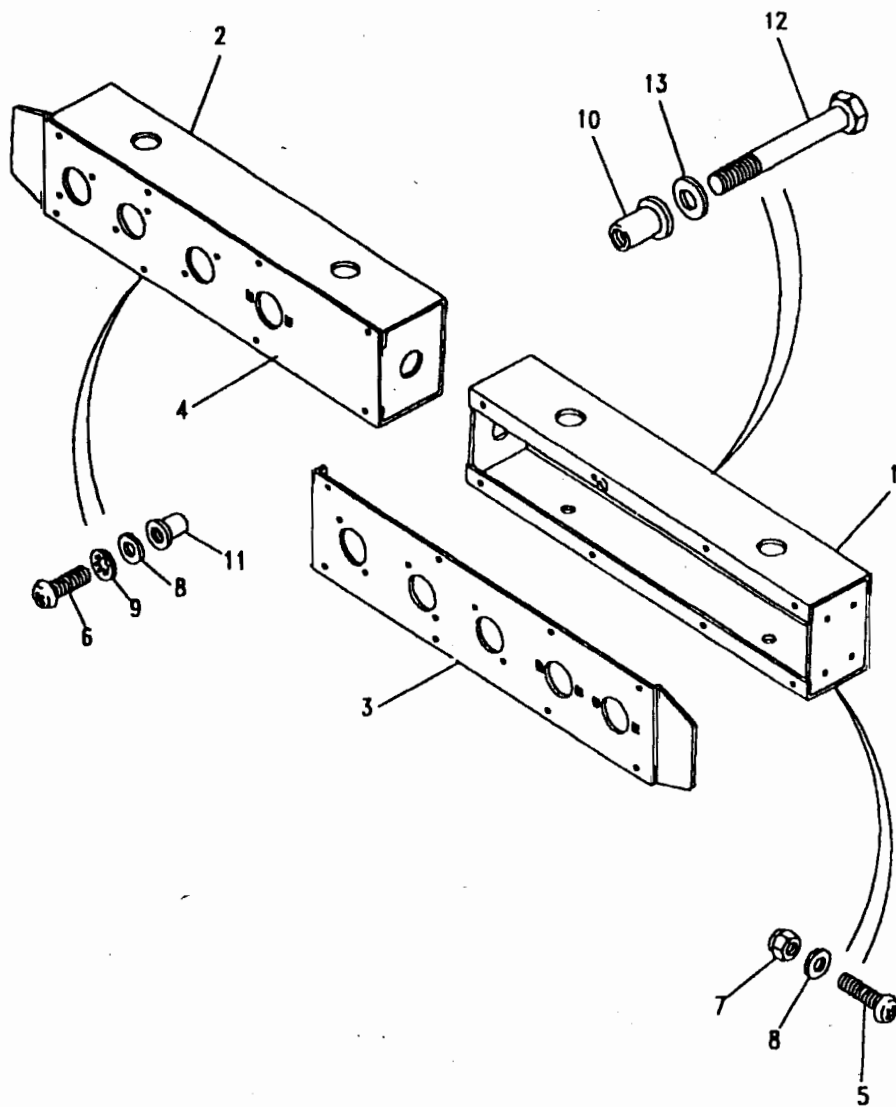


Model DEFENDER XD ALL VARIANTS
Page YDNXKE5A

BODY - BULKHEAD DOOR - AMBULANCE

III. Part No.	Description	Qty	Remarks
1	STC2526	1	Door assembly bulkhead
2	STC3494	1	Hatch assembly
3	STC2715	2	Hinge butt
4	STC2452	A/R	Rivet dome hd 3/16
5	STC2482	1	Lock assembly
6	STC2483	1	Handle & square bar
7	STC2485	A/R	Strip rubber
8	STC2481	1	Strip sealing
9	STC2535	1	Plate striker microswitch

Adhesive & sealant	Description	Qty	Remarks
STC2439	Adhesive Permabond F241	A/R	320ml
STC2428	Sealant Sikaflex 221	A/R	White 310ml



Model DEFENDER XD ALL VARIANTS

Page YDNXKE6A

BODY - REAR LIGHT BRACKETS - AMBULANCE

III. Part No.	Description	Qty	Remarks
1	STC2572	1	Bracket mounting RH
2	STC2571	1	Bracket mounting LH
3	STC2574	1	Plate mounting RH
4	STC2573	1	Plate mounting LH
5	STC2707	8	Screw pan hd M5 x 16
6	STC2412	16	Screw pan hd M5 x 20
7	NY105041L	8	Nut nyloc M5
8	STC2694	24	Washer plain M5
9	STC2693	16	Washer
10	STC2738	8	Bush anchor
11	STC3646	16	Rivnut M5
12	BH110221L	8	Bolt M10 x 110
13	WA110065	8	Washer plain M10
Adhesive & sealant			
STC2505	Screwlock Loctite 222	A/R	50ml

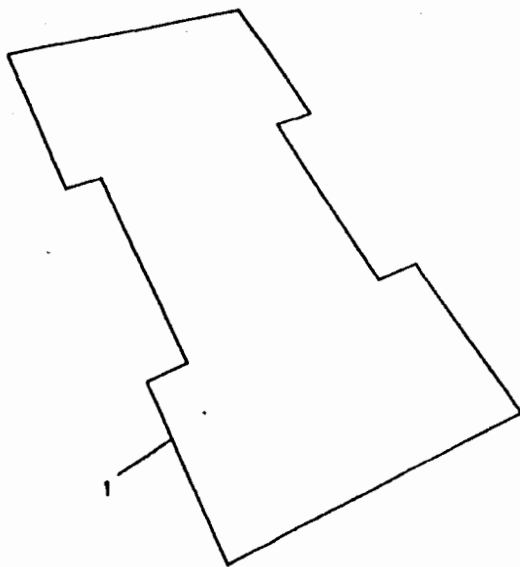


Model DEFENDER XD ALL VARIANTS
Page YDNXKE7A

BODY - INTERIOR FLOOR COVERING - AMBULANCE

III. Part No.	Description	Qty	Remarks
Floor covering			
1 STC2669	Mat floor vinyl	1	Note(1)

Note(1) Supplied as 2.0m x 3.0m length - cut to shape as required.



Model DEFENDER XD ALL VARIANTS
 Page YDNXLE3A

BODY - WINDOWS & WINDOW BLACKOUT - AMBULANCE

III. Part No. Description Qty Remarks

Windows

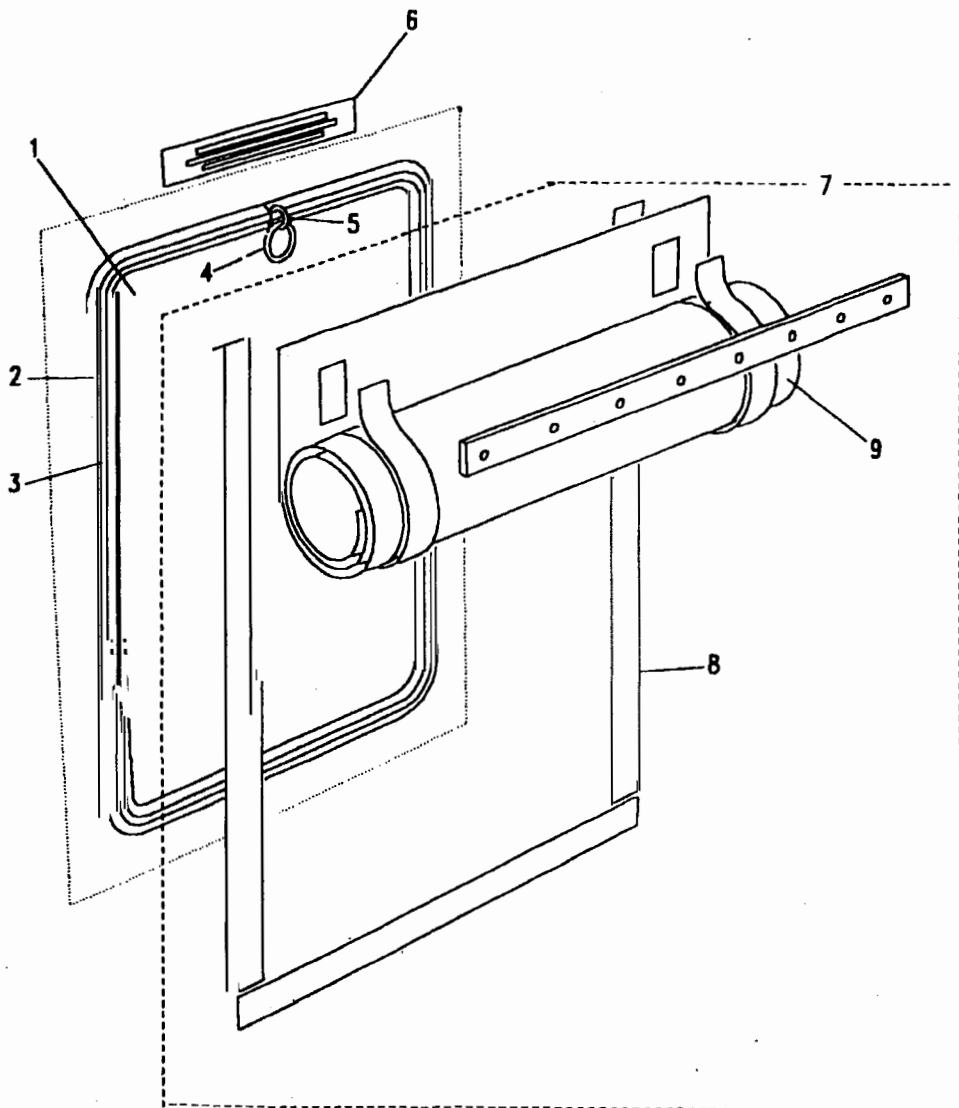
1	STC2611	Glass tinted	3
2	STC2467	Seal strip black	A/R
3	STC2468	Filler strip red	A/R
4	STC2469	Ring split 25mm diameter	3
5	STC2470	Ring split 10mm diameter	3
6	STC2531	Label window release	3

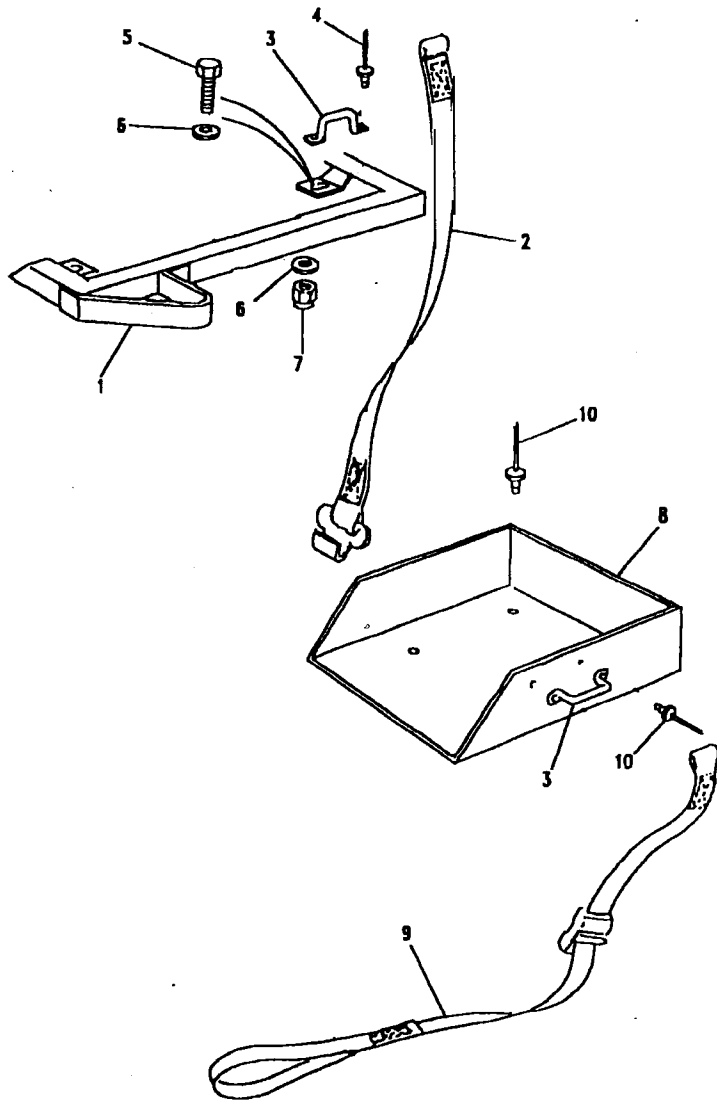
Window blackout

7	STC2523	Blackout assembly	3
8	STC2493	Tape velcro hook 30mm	A/R
9	STC2494	Tape velcro loop 30mm	A/R

Adhesive & sealant

STC2439	Adhesive Permabond F241	A/R	320ml
STC2428	Sealant Sikaflex 221	A/R	White 310ml





Model DEFENDER XD ALL VARIANTS
 Page YDNXLG1A

BODY - JERRYCAN STOWAGE - BULKHEAD - 90

Ill. Part No.	Description	Qty	Remarks
1	RRC8234	1	
	RRC8235	1	
2	RRC8583	2	
3	RRC3966	4	
4	RU612373L	4	
5	FS108307L	2)Rail
6	WA108051L	4)to
7	NY108041L	2)bulkhead
8	RRC8220	2	
9	RRC8581	2	
10	78248	12	

Model DEFENDER XD ALL VARIANTS

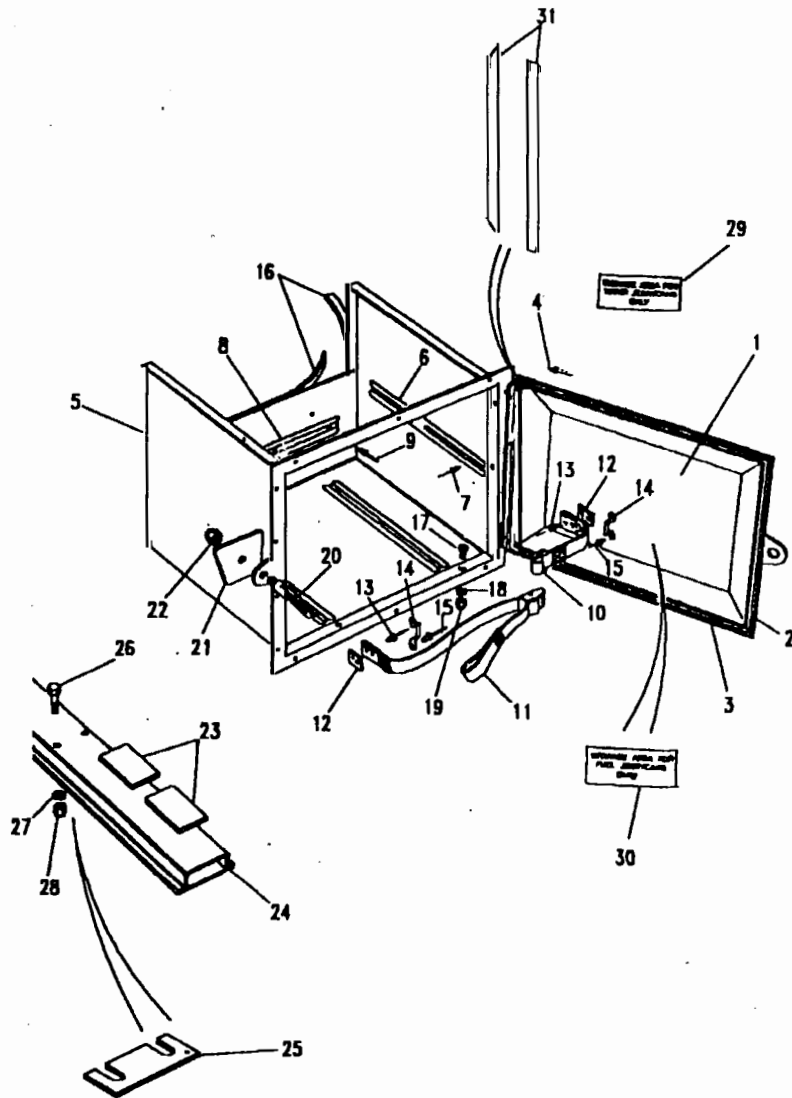
Page YDNXLG2A

BODY - JERRYCAN STOWAGE - BODYSIDE - 110

III. Part No. Description Qty Remarks

Jerrycan stowage box assembly

1	RRC8522	Door assembly	2	
2	RRC8524	Seal door short	1	
3	RRC8525	Seal door long	2	
4	RRC8610	Rivet door	11	
5	RRC8574	Box assembly RH	1	
	RRC8573	Box assembly LH	1	
6	RRC3925	Tread strip	4	
7	RA612346	Rivet tread strip	12	
	RRC8610	Rivet box to body	A/R	
8	RRC3925	Tread strip rear	1	
9	RRC8611	Rivet tread strip rear	3	
10	RRC8543	Strap hook	1	
11	RRC8544	Strap buckle	1	
12	RRC8657	Plate reinforcing	2	
13	78248	Rivet	4	
14	RRC3966	Staple	2	
15	RRC8610	Rivet	4	
16	MUC3610	Sealing strip	A/R	
17	SE106201	Screw M6	2)Box
18	WA106041L	Washer plain	2)to
19	NY106041	Nut M6	2)sill
20	RRC3967	Cotter anti-luce	1	
21	RRC8333	Plate cotter reinforcing	1	
22	NY112041L	Nut M12	1	





Model DEFENDER XD ALL VARIANTS
Page YDNXLG2A

BODY - JERRYCAN STOWAGE - BODYSIDE - 110

III. Part No. Description Qty Remarks

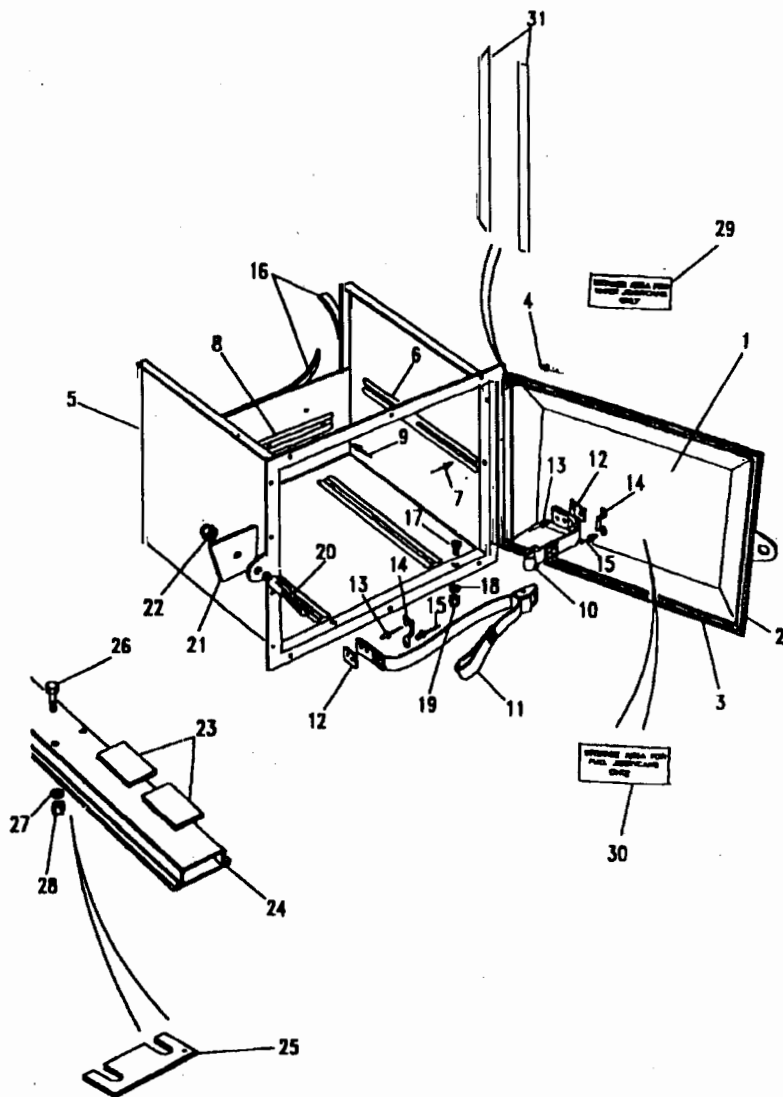
Fixings - stowage box to chassis

23	NTC7294	Pad rubber	4	
24	RRC7606	Crossmember support	1	
25	RRC5205	Spacer shim	A/R	Up to VA125116
	IYS100000	Spacer shim	A/R	From VA125117
26	BH108091L	Bolt M8 x 45	4)Note(1)
	BH108101L	Bolt M8 x 50	4)
	BH108121L	Bolt M8 x 60	4)
27	WA108051L	Washer plain M8	4	
28	NY108041L	Nut M8	4	
29	RRC8379	Lable water stowage	1	LH locker
30	RRC8380	Lable fuel stowage	1	RH locker

Supplementary water sealing

31	MRC8626	Seal foam self adhesive	A/R	1.6m length
	STC2427	Sealant Sikaflex 221	A/R	Black 310ml

Note(1) Selective - depending on number of shims used and chassis alignment.



Model DEFENDER XD ALL VARIANTS

Page YDNXLG3A

BODY - JERRYCAN STOWAGE - AMBULANCE

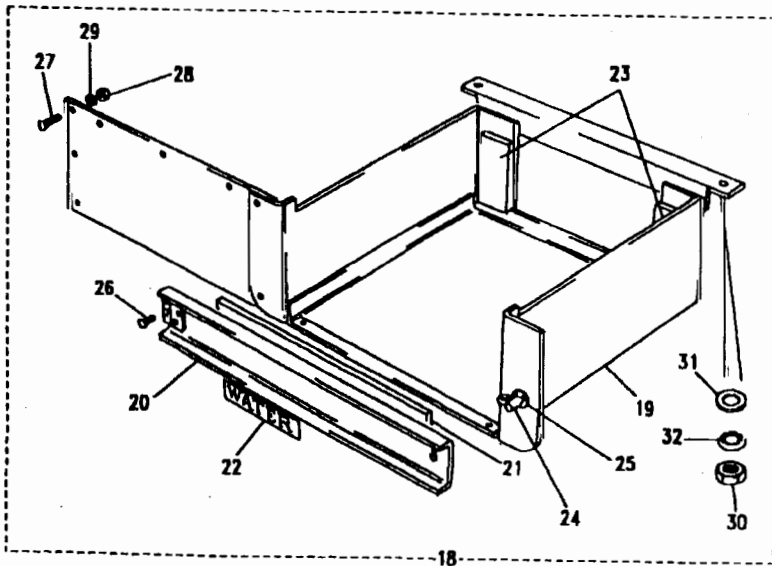
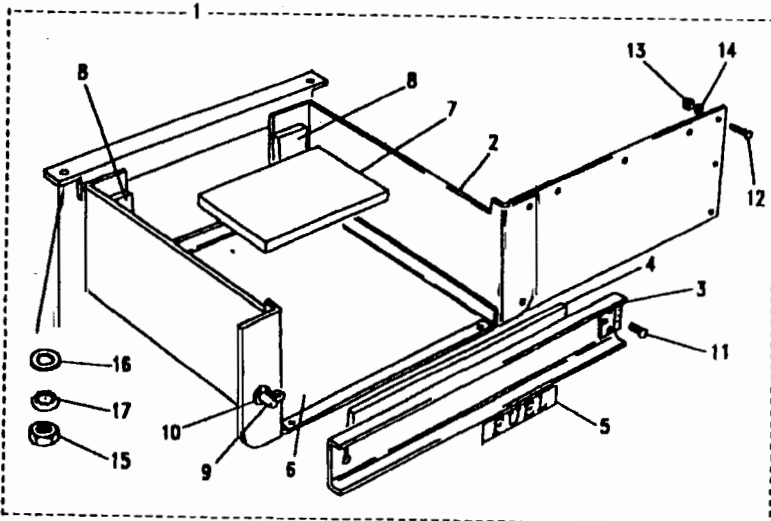
III. Part No.

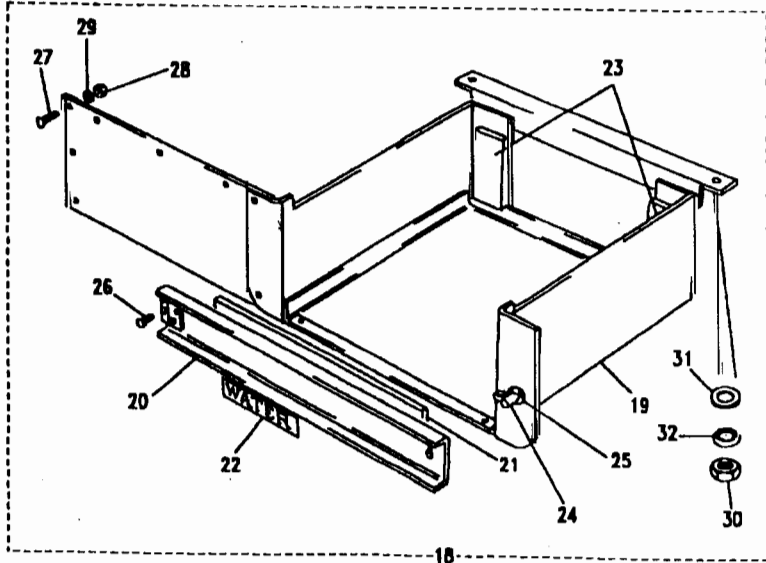
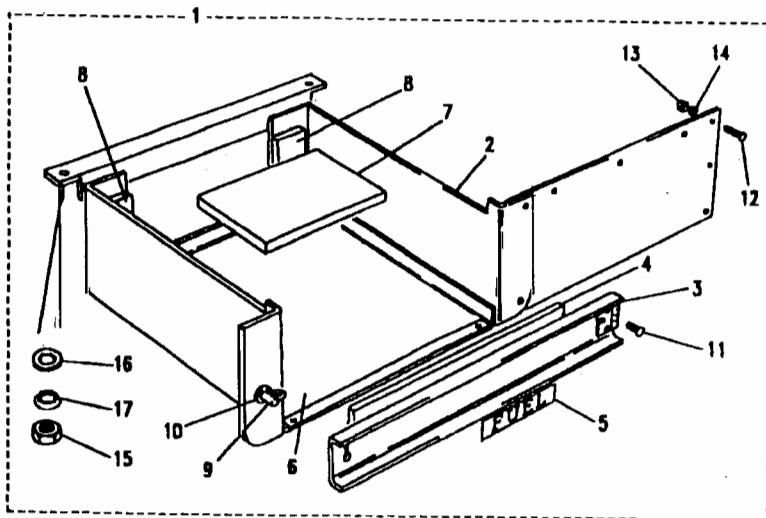
Description

Qty Remarks

Stowage locker RH - Fuel

1	STC2543	Locker jerrycan RH	1	
2	STC2749	Frame locker RH	1	
3	STC2551	Bar retaining RH	1	
4	STC2748	Pad rubber	1	
5	STC2553	Label fuel	1	
6	STC2514	Basepad plastic	1	
7	STC2474	Pad rubber	1	Top protection
8	STC2472	Pad rubber	2	End protection
9	STC2473	Turnbuckle	1	
10	STC3495	Rivet csk hd 3/16	3	
11	STC3496	Monobolt csk hd 1/4	3	
12	STC2407	Screw M5 x 16	6	
13	NY105041L	Nut nyloc M5	6	
14	WA105001L	Washer plain M5	6	
15	NH108041L	Nut M8	7	
16	STC2422	Washer plain M8	7	
17	STC2425	Washer shakeproof M8	7	

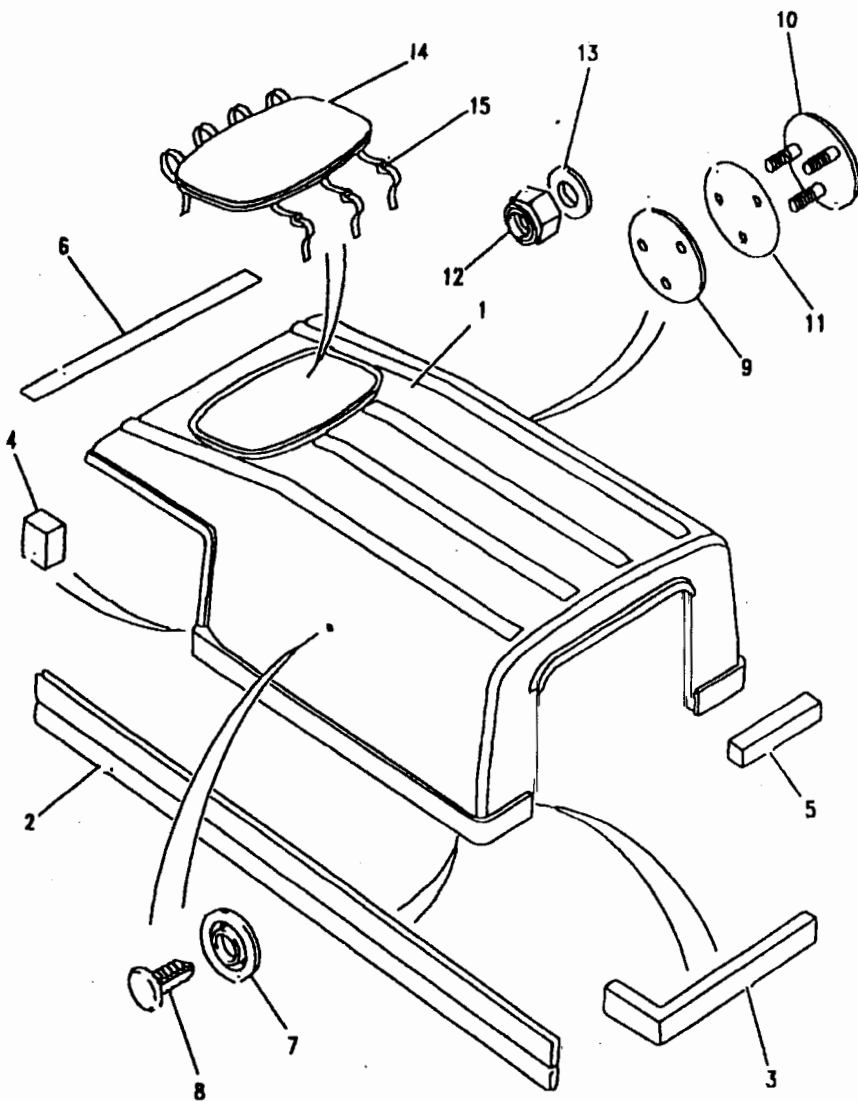




Model DEFENDER XD ALL VARIANTS
 Page YDNXLG3A

BODY - JERRYCAN STOWAGE - AMBULANCE

III. Part No.	Description	Qty	Remarks
Stowage locker LH - Water			
18 STC2542	Locker jerrycan LH	1	
19 STC2747	Frame locker LH	1	
20 STC2550	Bar retaining LH	1	
21 STC2748	Pad rubber	1	
22 STC2552	Label water	1	
23 STC2472	Pad rubber	2	End protection
24 STC2473	Turnbuckle	1	
25 STC3495	Rivet csk hd 3/16	3	
26 STC3496	Monobolt csk hd 1/4	3	
27 STC2407	Screw M5 x 16	6	
28 NY105041L	Nut nyloc M5	6	
29 WA105001L	Washer plain M5	6	
30 NH108041L	Nut M8	7	
31 STC2422	Washer plain M8	7	
32 STC2425	Washer shakeproof M8	7	
Adhesive for rubber pads			
STC2426	Adhesive Bostik 1GA516	A/R	1ltr

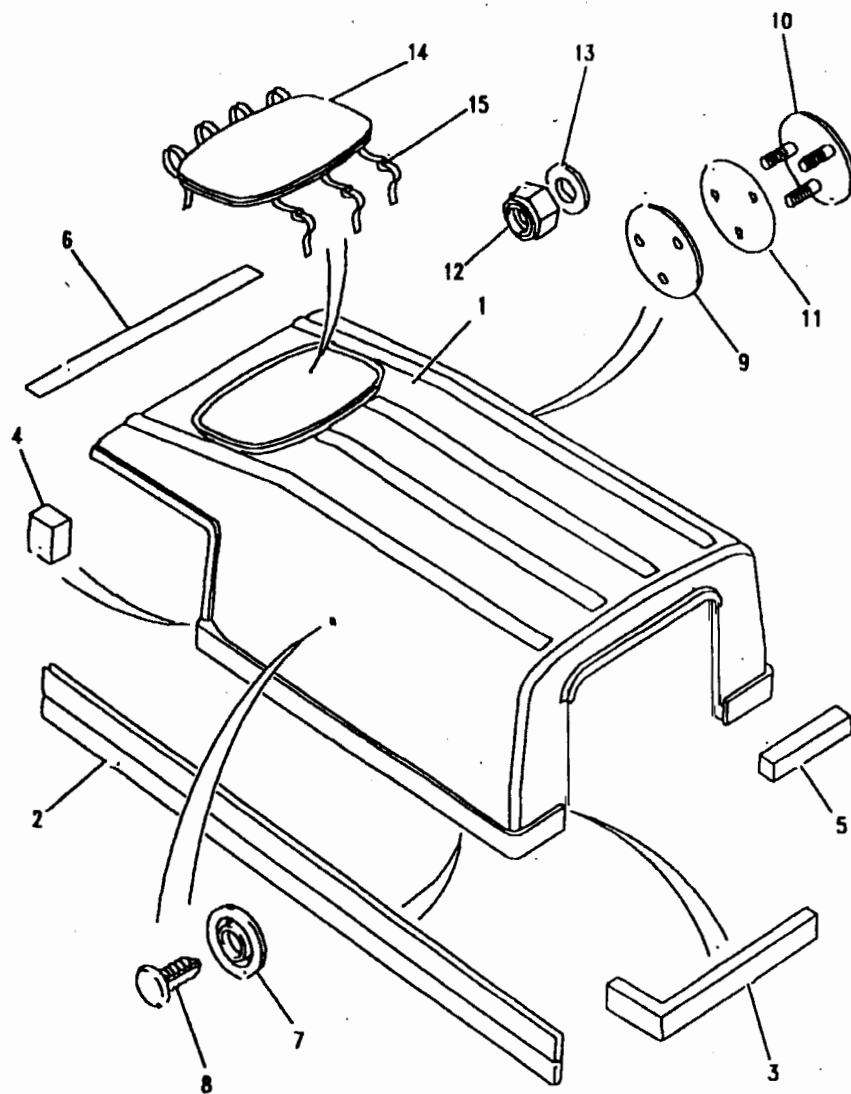


Model DEFENDER XD ALL VARIANTS

Page YDNXMG1B

BODY - ROOF - ROOF ASSEMBLY - 90

III. Part No.	Description	Qty	Remarks
Roof assembly & seals			
1 ASR1146	Roof hard top	1	
DXU100210	Roof hard top	1	Winterised
2 ASR1135	Seal bodyside	2	
3 ASR1136	Seal rear	2	NLA use MUC3610
4 ASR1137	Seal front corner	2)
Roof protection pads - fitted between roof and roll cage			
5 ASR2198	Pad foam self adhesive	7	NLA use MUC3610
6 MRC8626	Tape foam self adhesive	A/R	1.6m length
MUC3610	Sealing strip foam	A/R	8m roll
Blanking plates			
7 276054	Grommet	2)Antenna lead
8 MXC3130PUB	Plug	2)
9 ASR1133	Plate blanking inner	1)Spare wheel
10 ASR1132	Plate blanking outer	1)
11 IYF100010	Washer-sealing	1)
12 NY106041L	Nut nyloc M6	6)
13 WA106001L	Washer plain M6	6)
Escape hatch - cover & fixings - winterised vehicles			
14 IPK100030	Cover escape hatch	1	
15 IPM100010	Strap retaining	4	

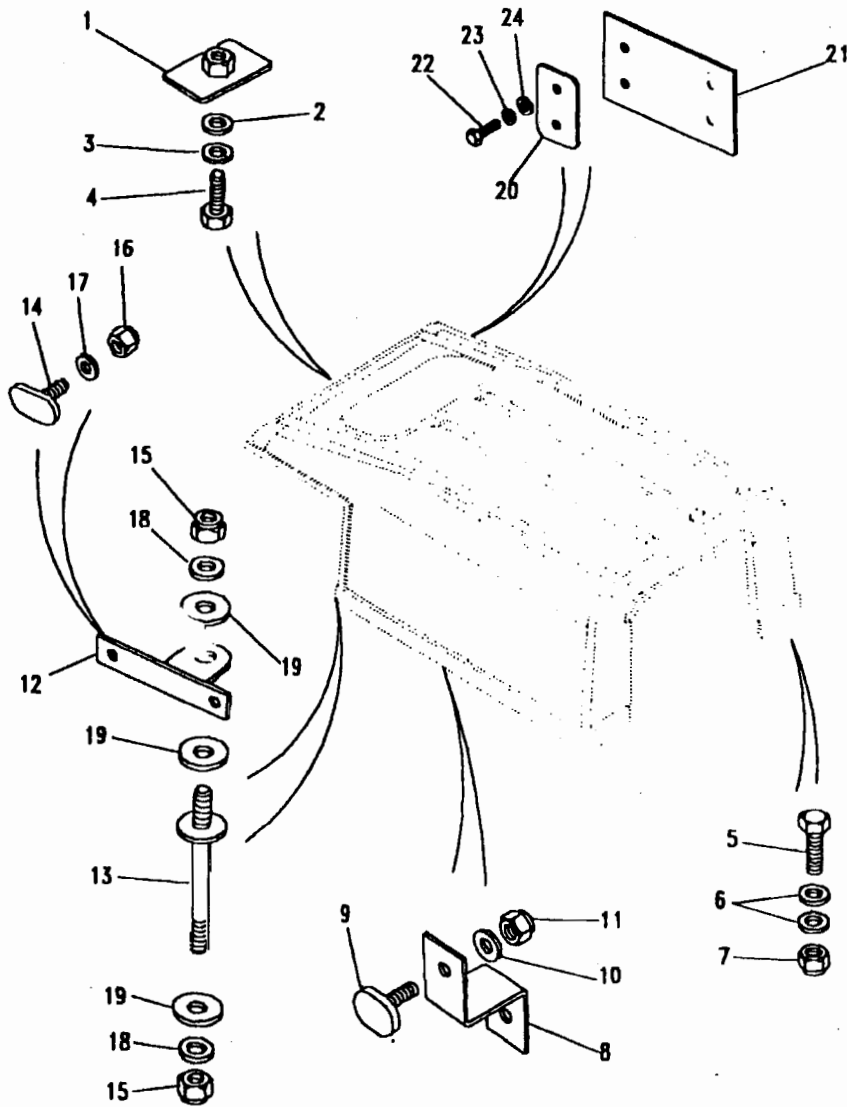


Model DEFENDER XD ALL VARIANTS

Pag YDNXMG2B

BODY - ROOF - ROOF ASSEMBLY - 110

III. Part No.	Description	Qty	Remarks
Roof assembly & seals			
1	ASR1147	1	Roof hard top
	DXU100200	1	Roof hard top Winterised
2	ASR1134	2	Seal bodyside
3	ASR1136	2	Seal rear)NLA use MUC3610
4	ASR1137	2	Seal front corner)
Roof protection pads - fitted between roof and roll cage			
5	ASR2198	14	Pad foam self adhesive NLA use MUC3610
6	MRC8626	A/R	Tape foam self adhesive 1.6m length
	MUC3610	A/R	Sealing strip foam 8m roll
Blanking plates			
7	276054	2	Grommet)Antenna lead
8	MXC3130PUB	2	Plug)
9	ASR1133	1	Plate blanking inner)Spare wheel
10	ASR1132	1	Plate blanking outer)
11	IYF100010	1	Washer-sealing)
12	NY106041L	6	Nut nyloc M6)
13	WA106001L	6	Washer plain M6)
Escape hatch - cover & fixings - winterised vehicles			
14	IPK100030	1	Cover escape hatch
15	IPM100010	4	Strap retaining

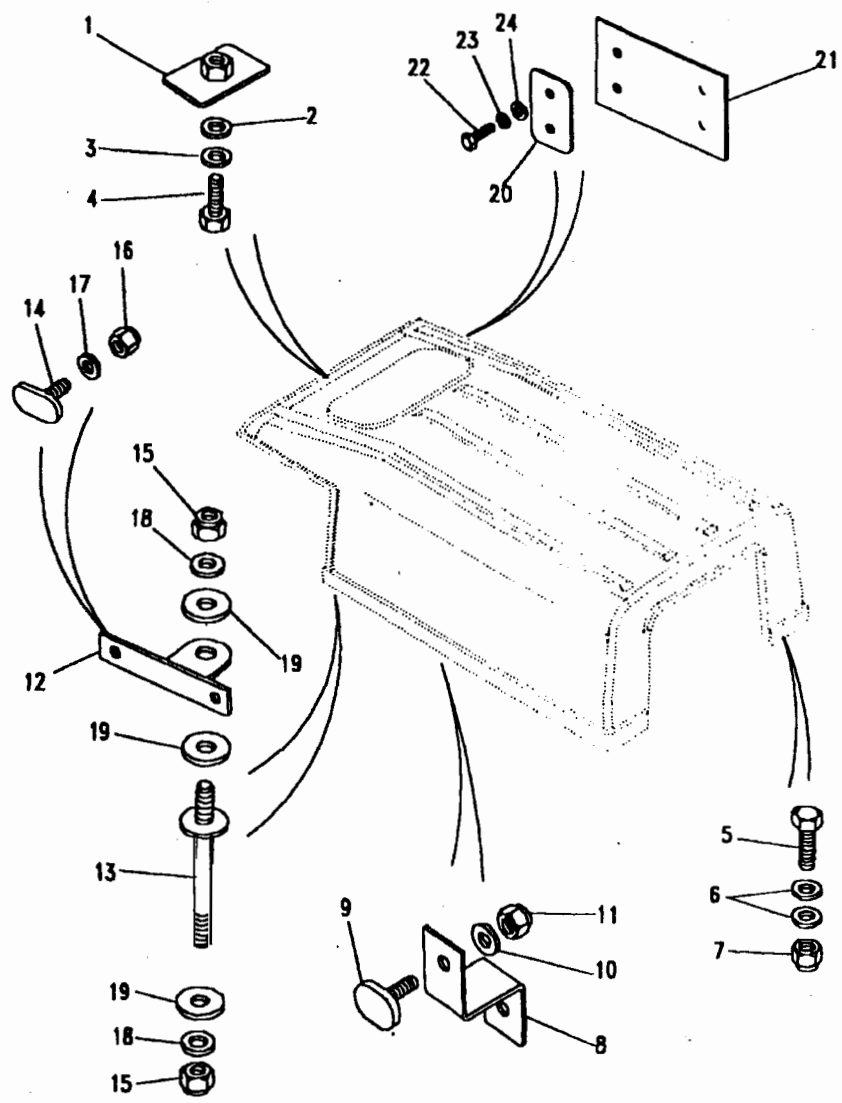


Model DEFENDER XD ALL VARIANTS
Page YDNXMG3A

BODY - ROOF - ROOF FIXINGS - 90

III. Part No.	Description	Qty	Remarks
Fixings - hard top to windscreen			
1	MTC3203 Nut plate	6	
2	WA106041 Washer plain M6	6	
3	WL106041 Washer spring M6	6	
4	SH106251 Screw M6 x 25	6	
Fixings - hard top to body lower			
5	SH106251 Screw M6 x 25	2	
6	WA106041 Washer plain M6	4	
7	NY106041L Nut nyloc M6	2	
8	ASR1131 Bracket capping	6	Note(1)
9	MTC3557 Tee bolt M8	6	
10	WA108051L Washer plain M8	6	
11	NY108041L Nut nyloc M8	6	
12	AYH100780 Bracket	2	
13	MRC9833 Stud mounting assembly	2	
14	MTC3557 Tee bolt M8	4	
15	NH108041L Nut M8	4	
16	NY108041L Nut nyloc M8	4	
17	WA108051L Washer plain M8	4	
18	WL108001L Washer spring M8	4	
19	3663 Washer plain	6	
Fixings - hard top to roll cage			
20	RRC8602 Plate support	4	
21	ASR1848 Nut plate	2	
22	SH108251L Screw M8 x 25	8	
23	WL108001L Washer spring M8	8	
24	WA108051L Washer plain M8	8	

Note(1) Brackets secured to bodyside by inner panel fixings.



Model DEFENDER XD ALL VARIANTS
Page YDNXMG4A

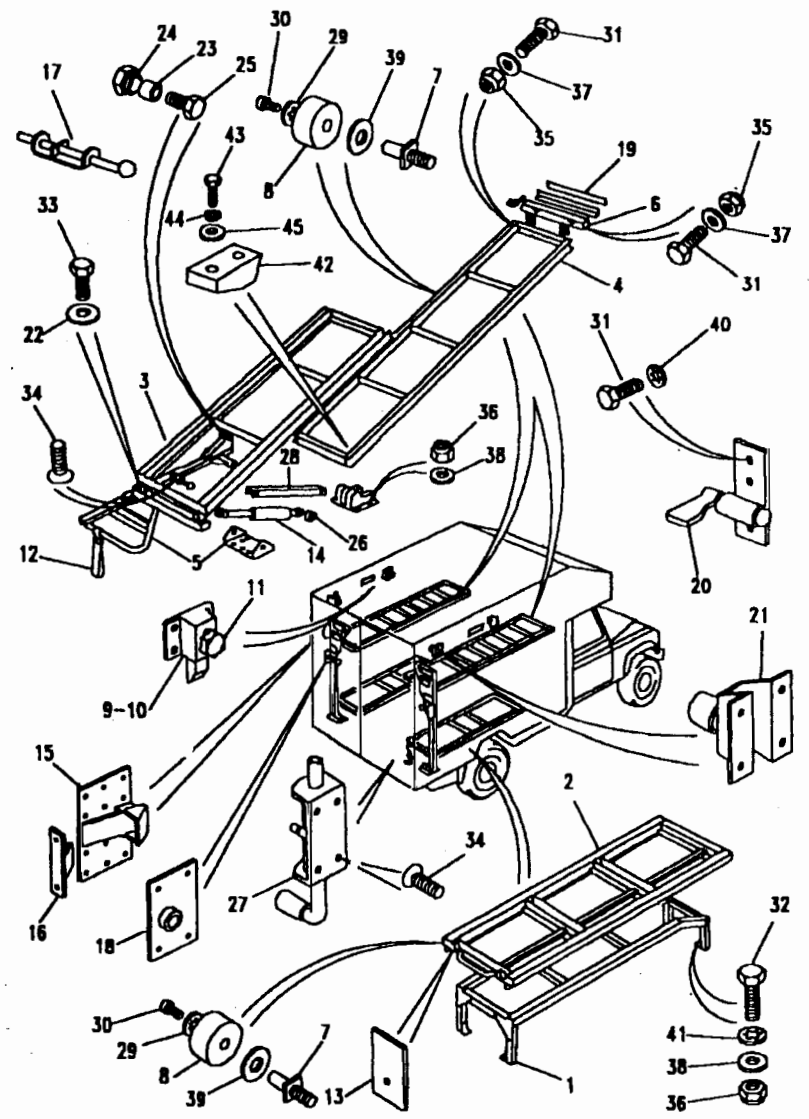
BODY - ROOF - ROOF FIXINGS - 110

III. Part No.	Description	Qty	Remarks
Fixings - hard top to windscreen			
1	MTC3203	6	Nut plate
2	WA106041	6	Washer plain M6
3	WL106041	6	Washer spring M6
4	SH106251	6	Screw M6 x 25
Fixings - hard top to body lower			
5	SH106251	2	Screw M6 x 25
6	WA106041	4	Washer plain M6
7	NY106041L	2	Nut nyloc M6
8	ASR1131	8	Bracket capping
9	MTC3557	8	Tee bolt M8
10	WA108051L	8	Washer plain M8
11	NY108041L	8	Nut nyloc M8
12	AYH100780	2	Bracket
13	MRC9833	2	Stud mounting assembly
14	MTC3557	4	Tee bolt M8
15	NH108041L	4	Nut M8
16	NY108041L	4	Nut nyloc M8
17	WA108051L	4	Washer plain M8
18	WL108001L	4	Washer spring M8
19	3663	6	Washer plain
Fixings - hard top to roll cage			
20	RRC8602	4	Plate support
21	ASR1848	2	Nut plate
22	SH108251L	8	Screw M8 x 25
23	WL108001L	8	Washer spring M8
24	WA108051L	8	Washer plain M8

Note(1)

Note(1) Brackets secured to bodyside by inner panel fixings.





Model DEFENDER XD ALL VARIANTS
 Page YDNXOA1A

BODY - STRETCHER FRAMES - AMBULANCE

III. Part No.	Description	Qty	Remarks
1 STC3497	Frame stretcher LH	1)Bottom inner
STC3498	Frame stretcher RH	1	
2 STC3499	Frame stretcher LH	1)Bottom outer
STC3500	Frame stretcher RH	1	
3 STC3501	Frame stretcher LH	1)Top outer
STC3502	Frame stretcher RH	1	
4 STC3503	Frame stretcher LH/RH	2	Top inner
STC4241	Rubbing strip nylon 6mm	A/R	
5 STC3504	Post assembly rear LH	1	
STC3505	Post assembly rear RH	1	
6 STC3506	Support front LH	1	
STC3507	Support front RH	1	
7 STC3508	Axle	16	
8 STC3509	Roller	16	
9 STC3510	Catch assembly	2	
10 STC3513	Spring compression	2	
11 STC3514	Handwheel	2	
12 STC3511	Strap assembly	2	
13 STC3512	Stop stretcher upper	2	NLA use STC3923
STC3923	Stop stretcher c/w rivet	2	
14 STC2608	Strut gas	2	
15 STC2604	Latch female	2	
16 STC2605	Latch male	2	
17 STC2610	Springbolt	2	
18 STC2561	Bracket locating	2	
19 STC2612	Plate backing	2	
20 STC3515	Catch LH	1	
STC3516	Catch RH	1	
21 STC2683	Buffer bracket assembly	6	

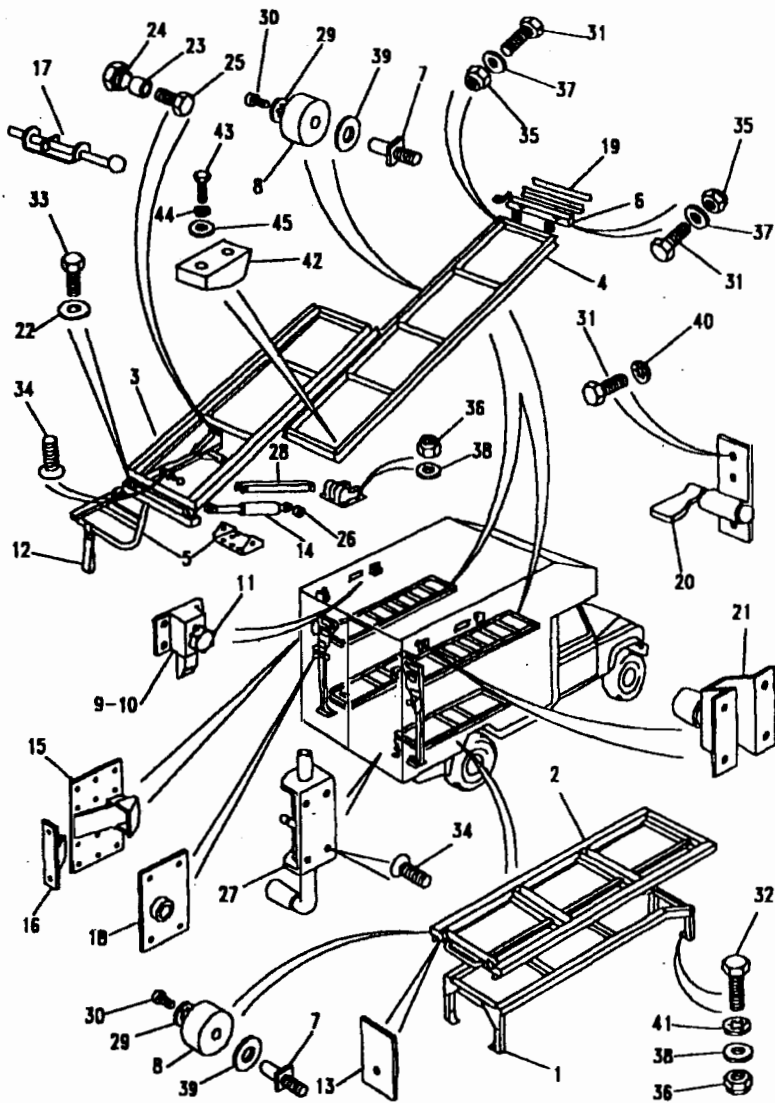
Note(1) 732mm long - cut to length for shorter applications.
 Note(2) Use adhesive STC4240 to bond to stretcher frame.



Model DEFENDER XD ALL VARIANTS

Page YDNXOA1A

BODY - STRETCHER FRAMES - AMBULANCE



III. Part No.	Description	Qty	Remarks
22 STC3520	Washer special	2	
23 STC3521	Bush	4	
24 STC3522	Nut pivot	4	
25 SH108201L	Screw pivot	4	
26 STC3524	Roller	4	
27 STC3528	Shootbolt spring-loaded	2	
28 IQE100000	Link channel	2	
29 STC3526	Pressnut M10	16	
30 STC3527	Screw plastic M5 x 6	16	
31 FS106201L	Screw M6 x 20	24	
32 SH108201L	Screw M8 x 20	2	
33 SH110201L	Screw M10 x 20	2	
34 STC2411	Screw csk hd M5 x 20	16	
35 NY106041L	Nut nyloc M6	26	
36 NY108041L	Nut nyloc M8	42	
37 STC2421	Washer plain M6	18	
38 STC2422	Washer plain M8	42	
39 WA110001L	Washer plain M10	16	
40 STC2424	Washer shakeproof M6	6	
41 STC2425	Washer shakeproof M8	2	
42 IQD100010	Stop stretcher upper	2	
43 SH105161L	Screw M5 x 16	4	
44 STC2693	Washer shakeproof M5	4	
45 WC105001L	Washer plain M5	4	

Adhesive
STC4240

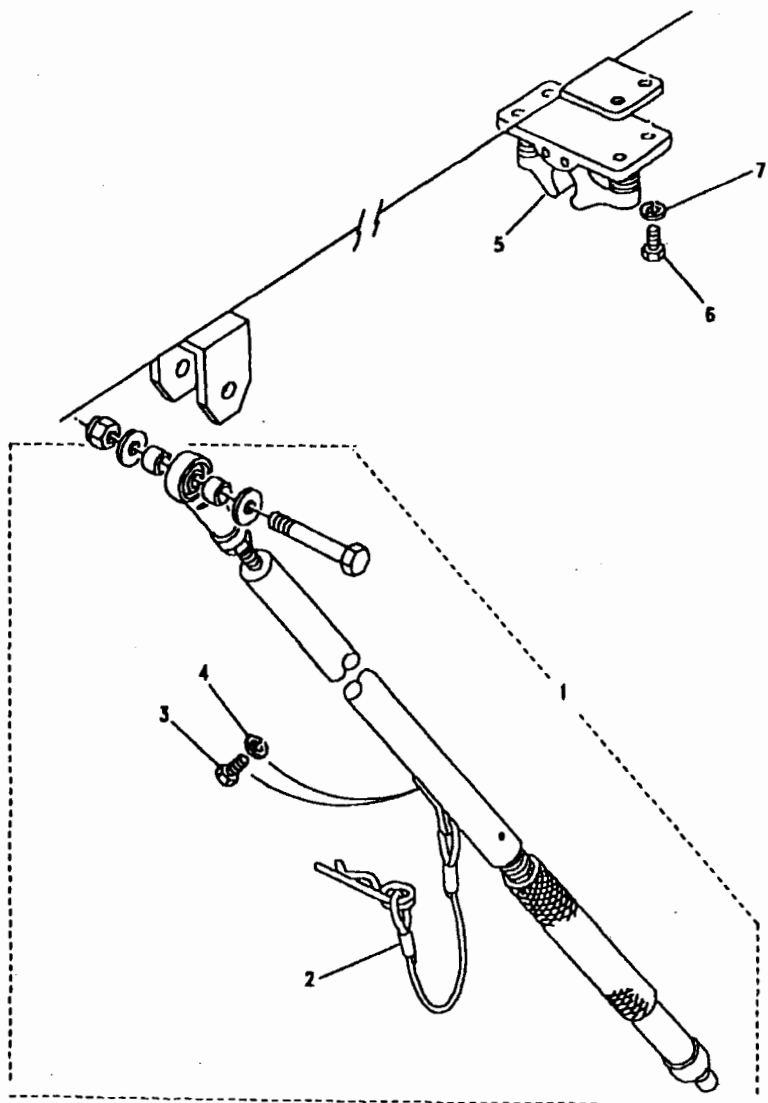
Adhesive 3M spray 90 A/R

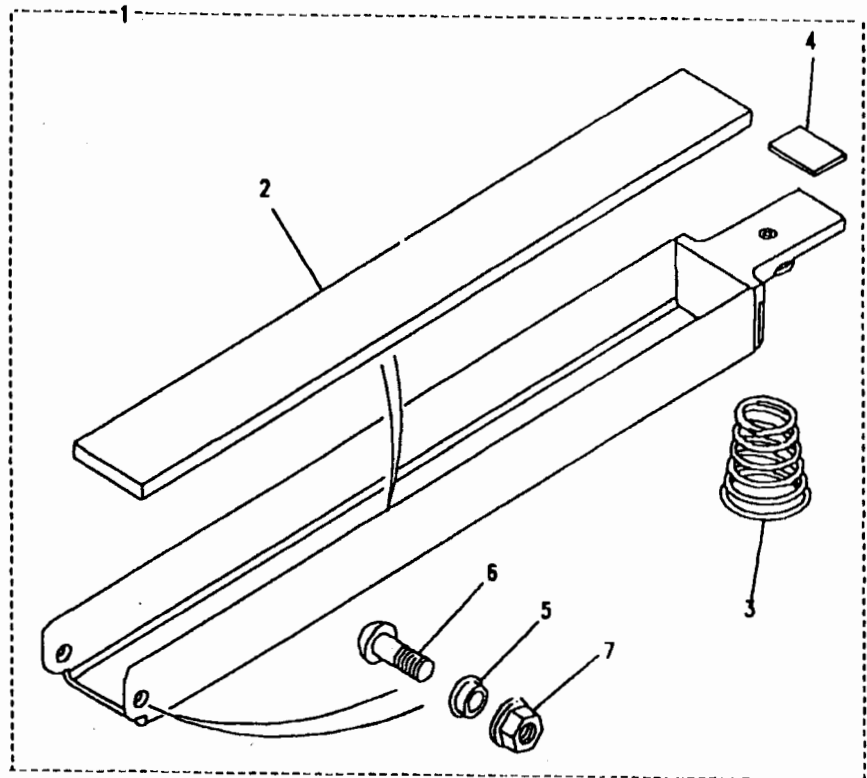
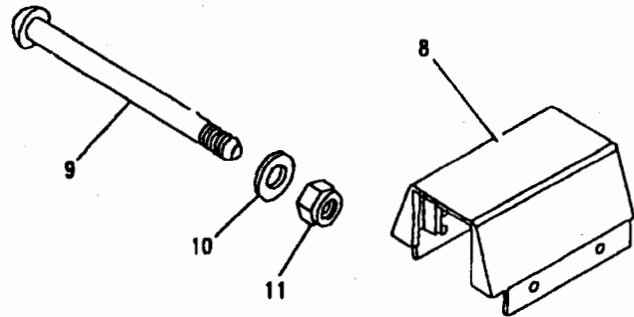


Model DEFENDER XD ALL VARIANTS
Page YONXOA1B

BODY - STRETCHER SUPPORT STRUT - AMBULANCE

III. Part No.	Description	Qty	Remarks
1	IPL100000	1	Strut assembly
2	IPM100000	1	R clip & retaining strap
3	SH105101	1	Screw M5 x 10
4	WF105001	1	Washer shakeproof M5
5	IPN100000	1	Clip retaining
6	SH104101L	4	Screw M4 x 10
7	WF104001	4	Washer shakeproof M4





Model DEFENDER XD ALL VARIANTS
Page YDNXOA1C

BODY - STRETCHER FRAME SPRUNG ARM - UPPER

III. Part No.	Description	Qty	Remarks
1	STC4253	4	Arm assy sprung support
2	STC4255	4	Strip wear
3	IQV100010	4	Spring
4	IPF100010	4	Pad bump stop
5	IQS100000	8	Bush pivot
6	IYG100000	8	Bolt pivot
7	FX110047L	8	Nut flanged locking M10
8	IQT100000	4	Housing spring
9	IYP100000	8	Screw special M6 x 90
10	WA106041L	8	Washer plain M6
11	NY106041L	8	Nut nyloc M6

Adhesive
 STC4240 Adhesive 3M spray 90 A/R

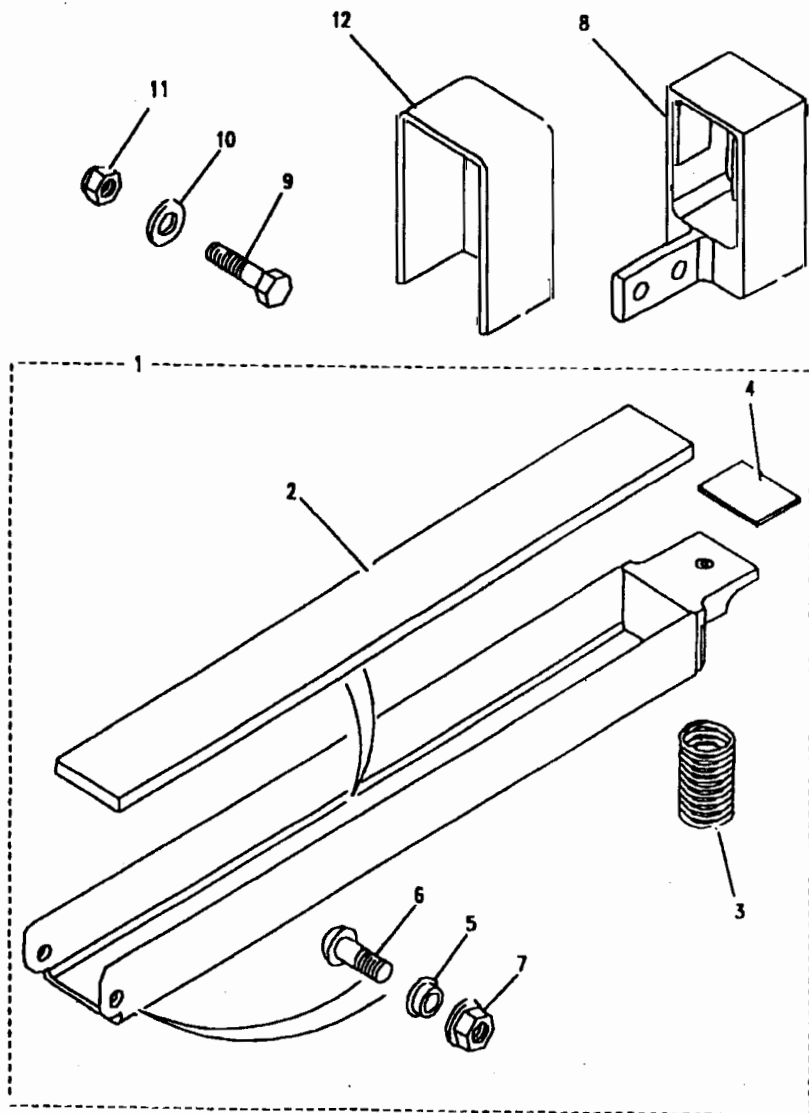
Model DEFENDER XD ALL VARIANTS
Page YDNXOA1D

BODY - STRETCHER FRAME SPRUNG ARM - LOWER

III. Part No.	Description	Qty	Remarks
1	STC4254	4	
2	STC4255	4	
3	IQV100000	4	
4	IPF100000	4	
5	IQS100000	8	
6	IYG100000	8	
7	FX110047L	8	
8	STC4256	2)Note(1)
	STC4257	2)
9	BH108067	8	
10	WA108051L	8	
11	NY108041L	8	
12	IQP100020	2	Note(2)

Adhesive
 STC4240 Adhesive 3M spray 90 A/R

Note(1) One RH and one LH are fitted to each lower stretcher frame.
 Note(2) Fitted to inner housings only.





Model DEFENDER XD ALL VARIANTS

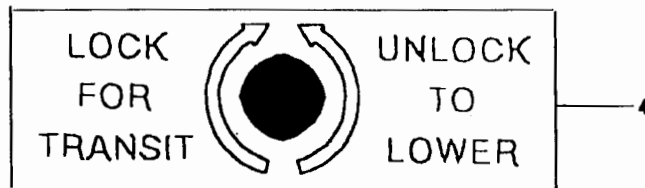
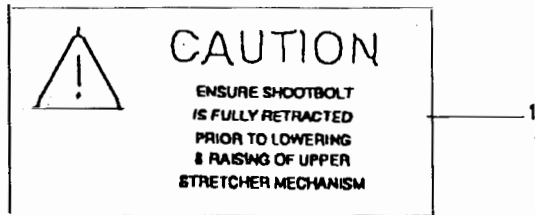
Page YDNXOA1E

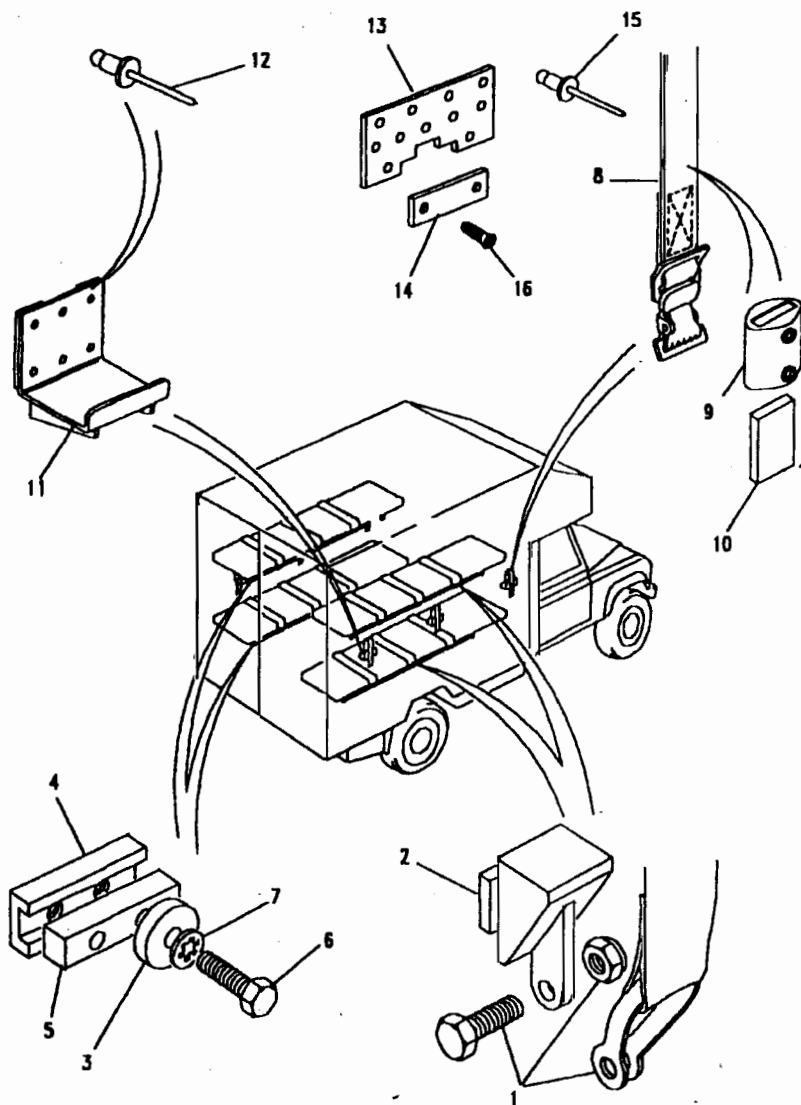
BODY - STRETCHER MECHANISM - LABELS - AMBULANCE

III. Part No.	Description	Qty	Remarks
---------------	-------------	-----	---------

Labels & tape

1	STC3517	Label caution	2
2	STC3518	Label warning	2
3	IPP100030	Label stretcher strut	2
4	STC3519	Label lock/unlock	2





Model DEFENDER XD ALL VARIANTS

Page YDNXOA2A

BODY - STRETCHER TIE-DOWN & STOWAGE - AMBULANCE

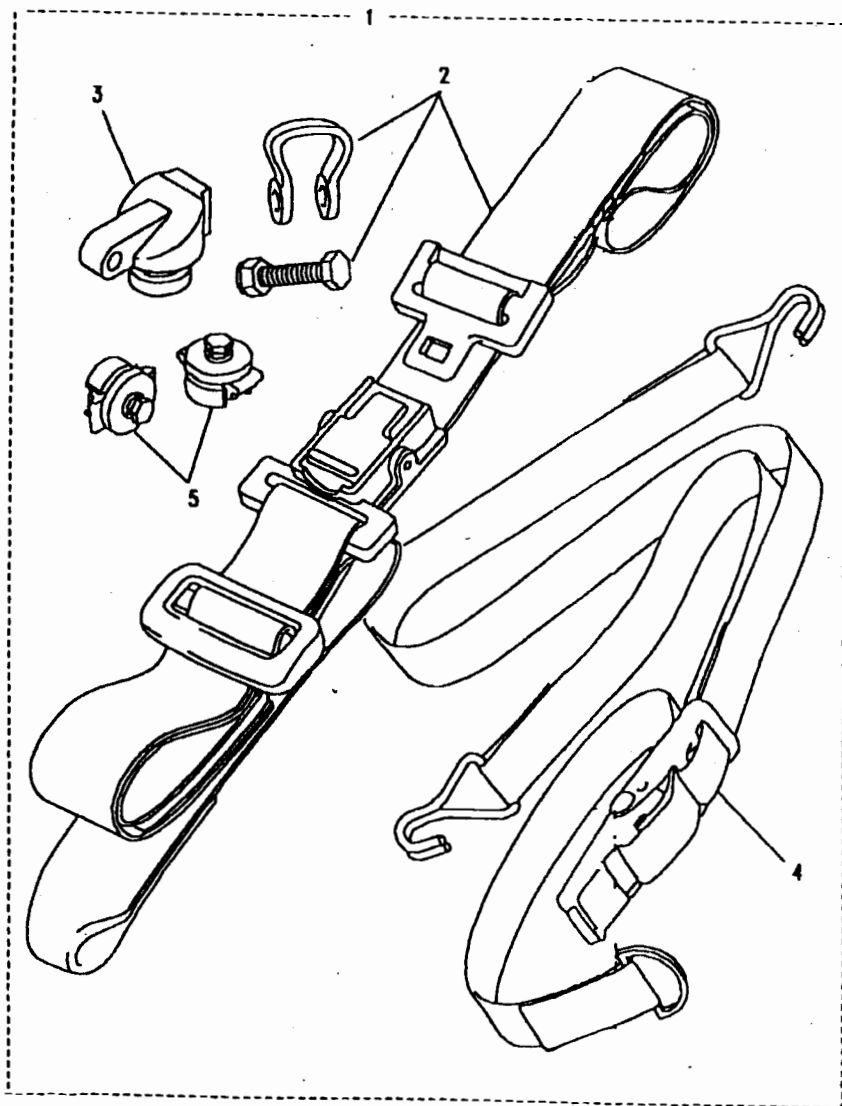
III. Part No.	Description	Qty	Remarks
Stretcher tie-down			
1	IPM100040 STC2539	2	Front
2	STC3529	8	Centre & rear
		20	Lug strap
C rail fittings			
3	STC3530	16	End stop
4	STC3531	16	Fitting C rail
5	STC3532	16	Adaptor
6	FS106201L	16	Screw M6 x 20
7	STC2424	16	Washer shakeproof M6
Stretcher stowage			
8	STC2544	6	Strap assembly
9	EDZ100170	2	Clasp strap
10	IQU100000	2	Packer
11	STC3648	6	Bracket stretcher stowage
12	STC2452	36	Rivet dome hd 3/16
13	IPH100010	4	Plate stiffening
14	IPH100000	4	Plate clamping
15	RJ612183	18	Rivet csk hd 3/16
16	SJ106160	8	Screw M6 x 16

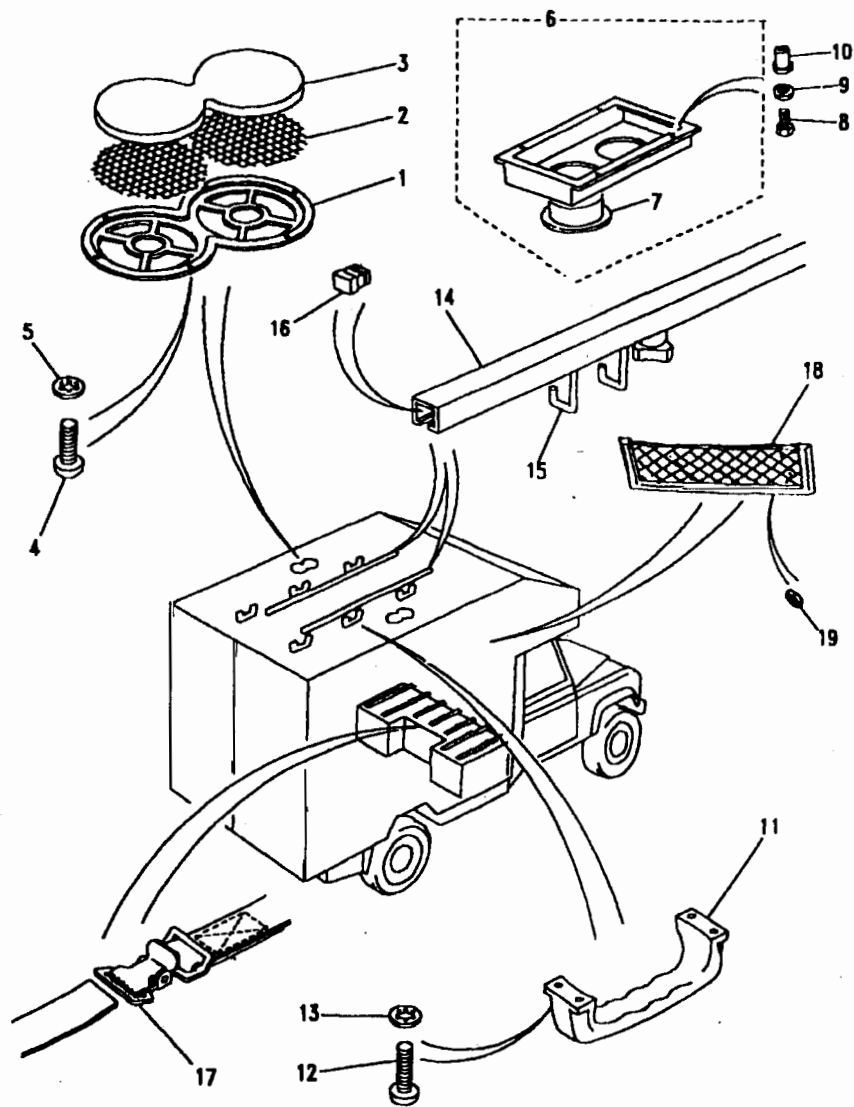


Model DEFENDER XD ALL VARIANTS
Page YDNXOA2B

BODY - STRETCHER TIE-DOWN & STOWAGE - AMBULANCE

III. Part No.	Description	Qty	Remarks
Stretcher restraint straps			
1	STC4437	1	Kit stretcher restraint
2	STC4438	2	Strap stretcher upper
3	STC3529	2	Lug strap
4	STC4439	2	Strap stretcher lower
5	STC4440	4	End stop





Model DEFENDER XD ALL VARIANTS

Page YDNXOA4A

BODY - INTERIOR FITTINGS - AMBULANCE

III. Part No. Description Qty Remarks

Roof - roof vents

1	STC3539	Grille ventilator	2
2	STC3540	Mesh	2
3	STC3541	Filter	2
4	SE104161L	Screw pan hd M4 x 16	12
5	STC2423	Washer shakeproof M4	12
6	IQN100000	Vent cover assembly	2
7	STC3445	Vent adjustable	4
8	FS106201L	Screw M6 x 20	8
9	STC2424	Washer shakeproof M6	8
10	IZN100000	Insert M6	8

Roof - grab handles

11	STC3538	Handle grab	6
12	SE105201L	Screw pan hd M5 x 20	24
13	STC2693	Washer shakeproof M5	24

Roof - infusion bottle track

14	STC2668	Track infusion bottle	2	With 3 holders
15	STC3695	Holder infusion bottle	6	
16	IQZ100000	Insert protective	4	

Attendant seat locker - kit retaining straps

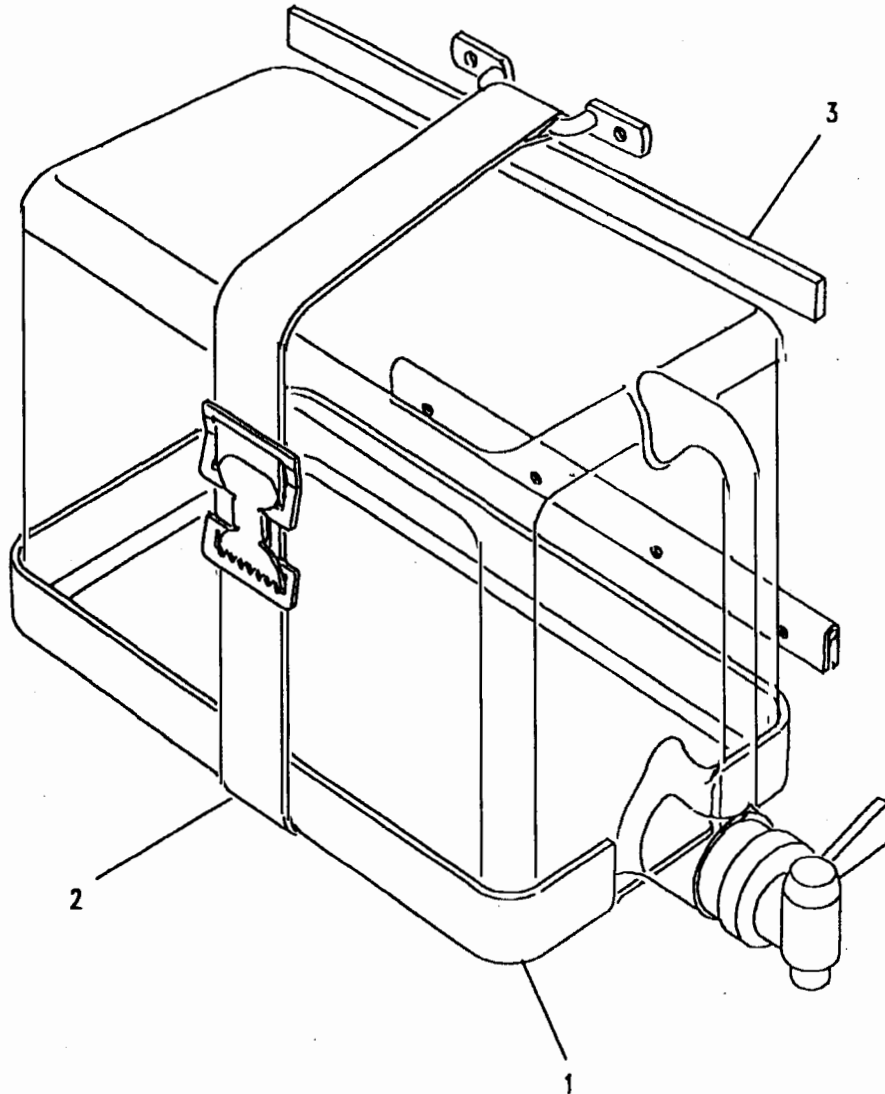
17	STC3570	Strap kit retaining	6
----	---------	---------------------	---

Cargo net assemblies

18	AWR3815LUM	Net cargo retaining	6
19	BTR9905	Nut self thread	42

Adhesives

STC2439	Adhesive permabond F241	A/R 320ml
STC2505	Screwlock Loctite 222	A/R 50ml



Model DEFENDER XD ALL VARIANTS
Page YDNXOA5A

BODY - INTERIOR FITTINGS - AMBULANCE

Ill. Part No.	Description	Qty	Remarks
Rear end door - water can folding shelf assembly			
1	STC3542 Shelf assembly folding	1	Note(1)
2	STC3543 Strap	1	
3	STC3544 Pad rubber	2	
Adhesive			
STC2426	Adhesive Bostik 1GA516	A/R	1ltr

Note(1) Water can not included.

Model DEFENDER XD ALL VARIANTS

Page YDNXOA6A

BODY - OXYGEN BOTTLE STOWAGE - AMBULANCE

III. Part No. Description Qty Remarks

Oxygen cylinder installation

1	STC3545	Bracket cylinder support	4	
2	STC3664	Oxygen pipe and outlet RH	2	
	STC3665	Oxygen pipe and outlet LH	2	
3	STC3547	Protection point	2	
4	STC2544	Strap assembly	4	
5	STC2719	Pad rubber	2	
6	STC2486	Strip rubber	A/R	
7	STC2407	Screw M5 x 16	12	
	SH105251L	Screw M5 x 25	4	Note(1)
8	STC2693	Washer shakeproof M5	16	
9	AB608061	Screw self tap No8 x 3/4	8	
10	STC2720	Rivet csk hd 1/8	4	
11	WA103001	Washer plain M3	4	
12	WA104001	Washer plain M4	8	
13	STC2423	Washer shakeproof M4	8	
14	STC3572	P clip	19	
15	AB606051L	Screw self tap No6 x 5/8	19	
16	IPM100020	Strap forward restraint	2	
17	IYH100020	Plate washer	2	

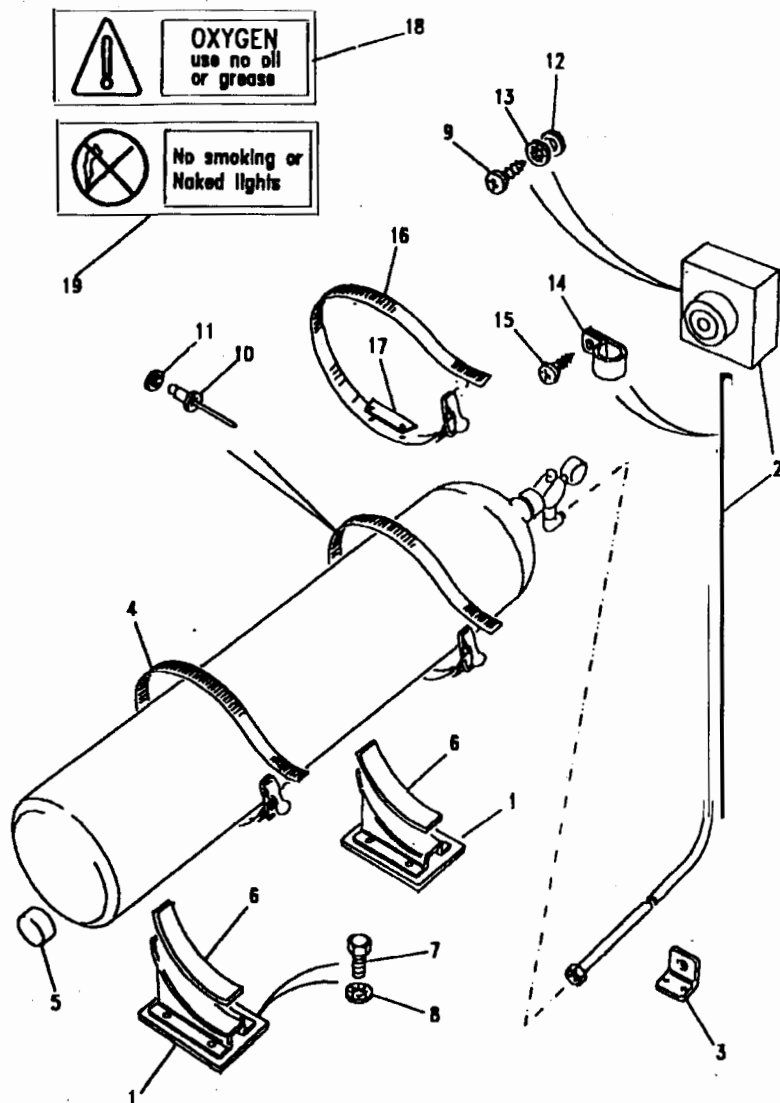
Warning labels

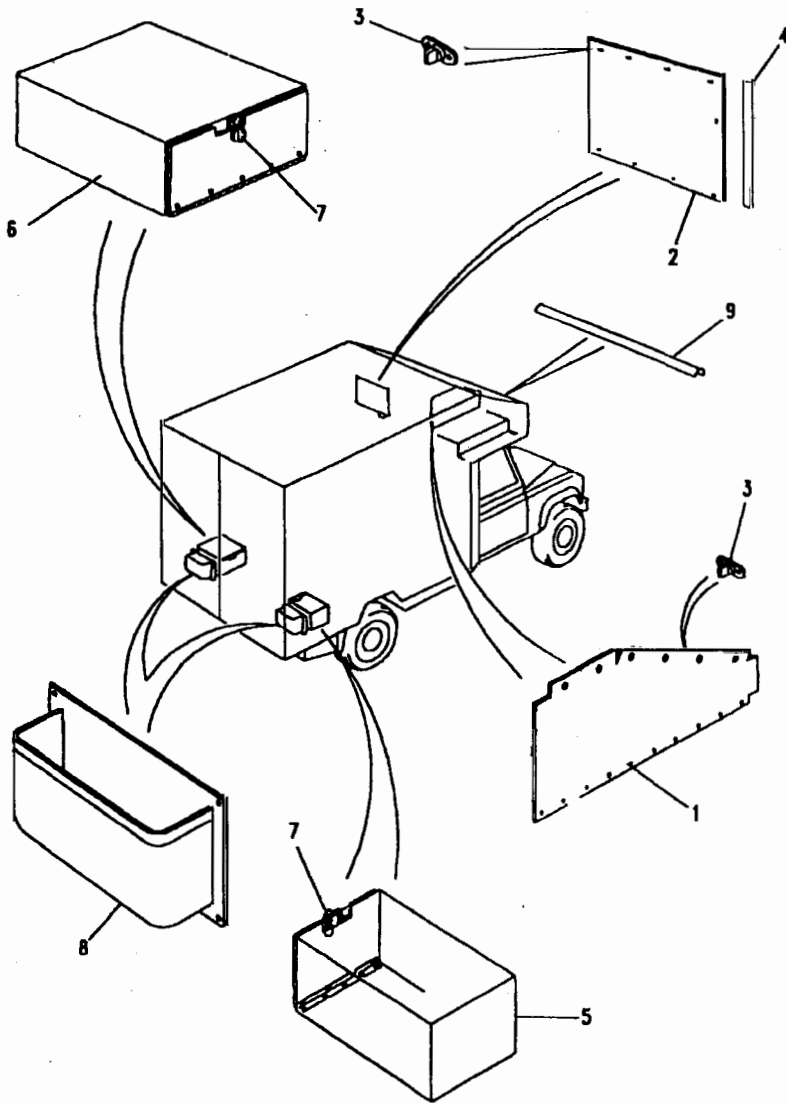
18	STC3536	Label oxygen use no oil	2	
19	STC3537	Label oxygen no smoking	1	

Adhesives

STC2426	Adhesive Bostik 1GA516	A/R	1ltr
STC2439	Adhesive permabond F241	A/R	320ml

Note(1) Longer screws secure forward restraint strap.





Model DEFENDER XD ALL VARIANTS
Page YDNXOA7A

BODY - LOCKERS - AMBULANCE

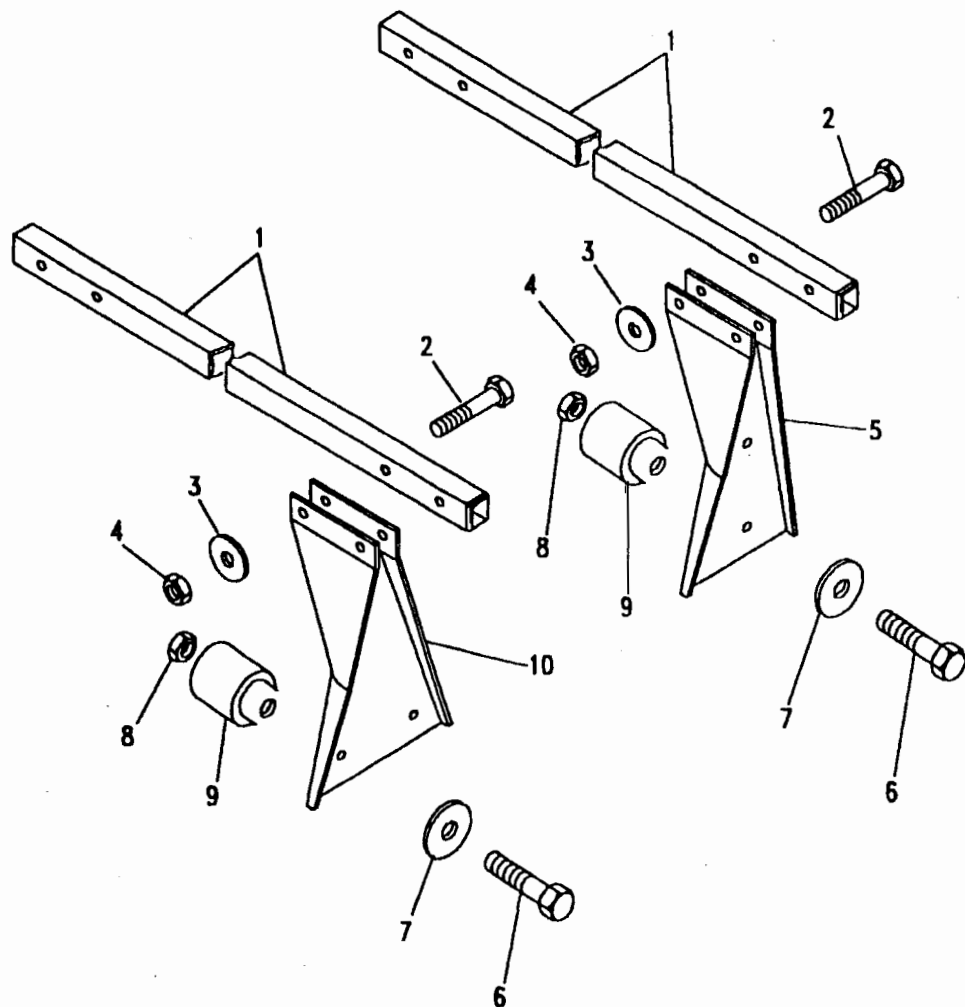
III. Part No.	Description	Qty	Remarks
Luton storage lockers			
1 STC3549	Cover canvas	1	RH Locker
2 STC3649	Cover canvas	1	LH Locker
3 STC3650	Fastener	11	
4 STC2493	Tape velcro hook 30mm	A/R	
Rear under-seat lockers			
5 STC3551	Locker assembly RH	1	
6 STC3552	Locker assembly LH	1	
7 STC2471	Fastener	2	
Rear storage bins			
8 STC2595	Bin kit stowage	2	
Luton parcel shelf			
9 STC3927	Strip edge protection	1	684mm long



Model DEFENDER XD ALL VARIANTS

Page YDNXOB1C

BODY - SKI RACK - WINTERISED



Ill. Part No.

Description

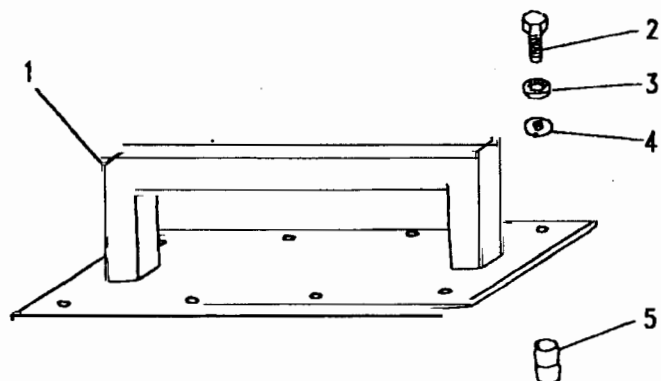
Qty Remarks

Ski rack - 90 - winterised

1	IPR100000	Cross bar ski rack	2
2	BH108091L	Bolt M8 x 45	8
3	WA108051L	Washer plain M8	8
4	NY108041L	Nut nyloc M8	8
5	CAN100150	Bracket support	4
6	BH110121L	Bolt M10 x 60	8
7	WA110061L	Washer plain M10	8
8	NY110047L	Nut nyloc M10	8
9	DJU100050	Spacer	8

Ski rack - 110 - winterised

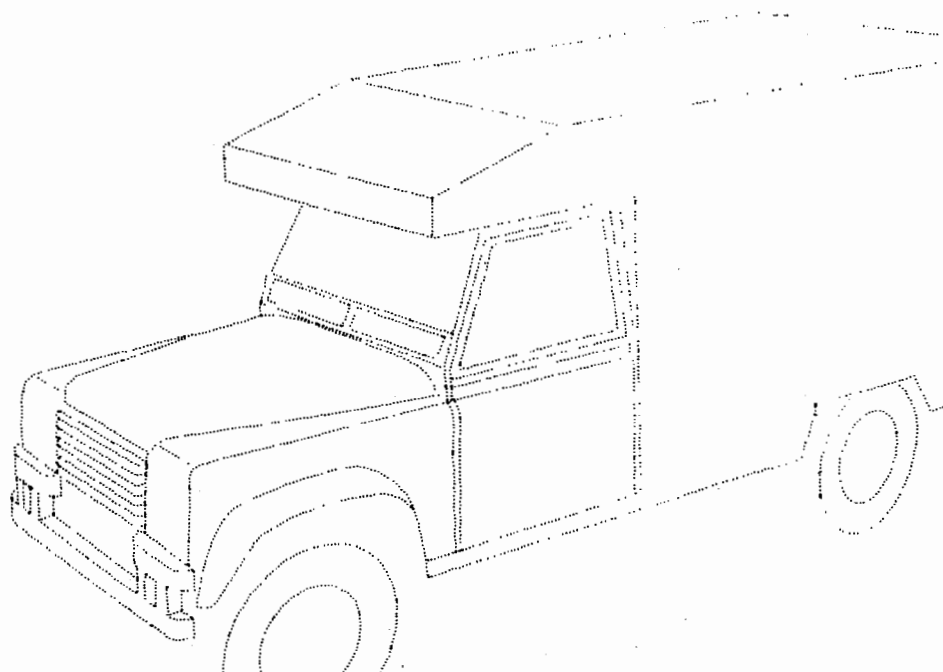
1	IPR100000	Cross bar ski rack	2
2	BH108091L	Bolt M8 x 45	8
3	WA108051L	Washer plain M8	8
4	NY108041L	Nut nyloc M8	8
5	CAN100150	Bracket support	2
6	BH110121L	Bolt M10 x 60	8
7	WA110061L	Washer plain M10	8
8	NY110047L	Nut nyloc M10	8
9	DJU100050	Spacer	8
10	CAN100160	Bracket support	2

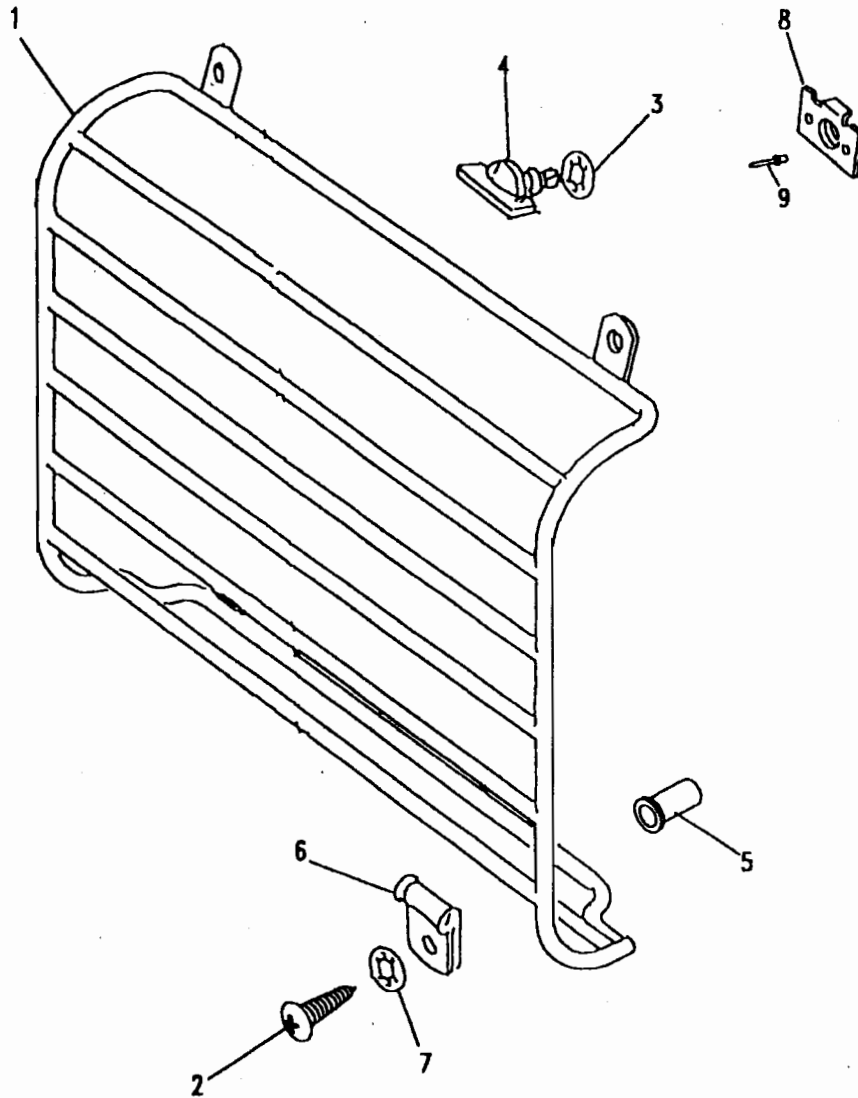


Model DEFENDER XD ALL VARIANTS
Page YDNXOB1D

BODY - SKI RACK - AMBULANCE - WINTERISED

Ill. Part No.	Description	Qty	Remarks
Ski rack - ambulance - winterised			
1	STC4387 Bracket ski support	4	
2	SH105201L Screw M5 x 20	32	
3	WF105001L Washer shakeproof M5	32	
4	WA105001L Washer plain M5	32	
5	STC4388 Nutsert M5	32	
Sealant			
STC2427	Sealant Sikaflex 221	A/R	Black 310ml





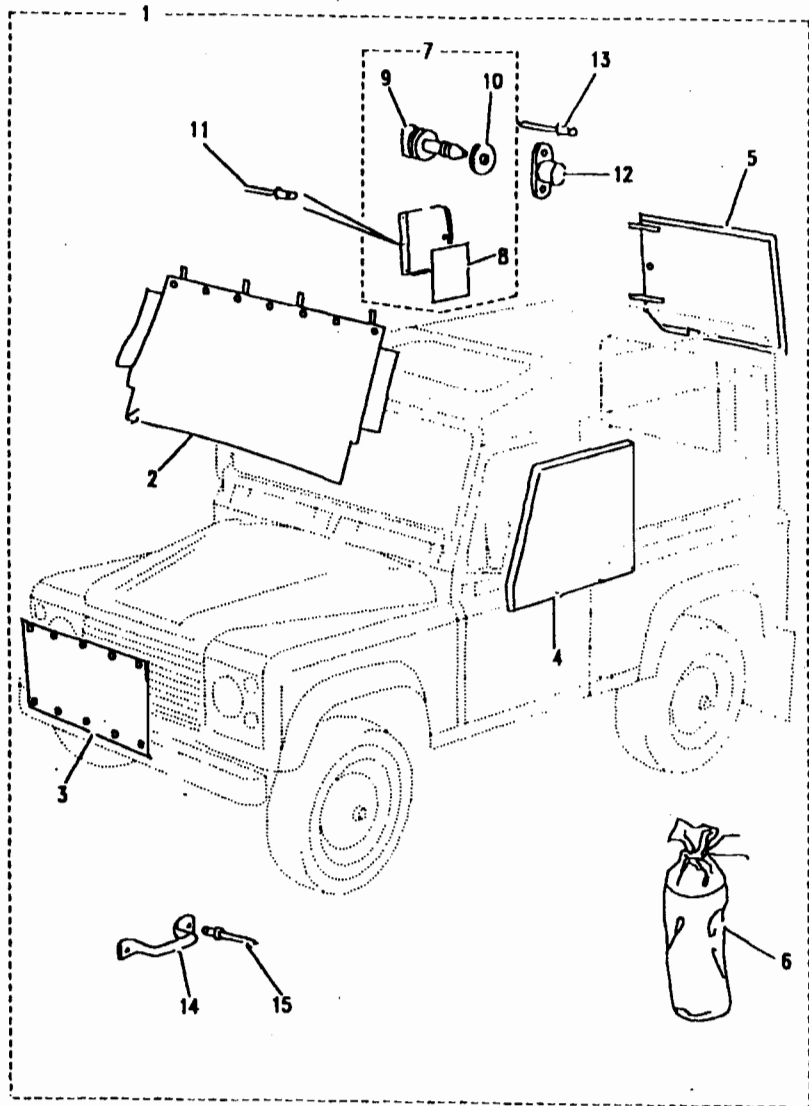
Model DEFENDER XD ALL VARIANTS
 Page YDNXOB2A

BODY - LAMP GUARDS - FRONT

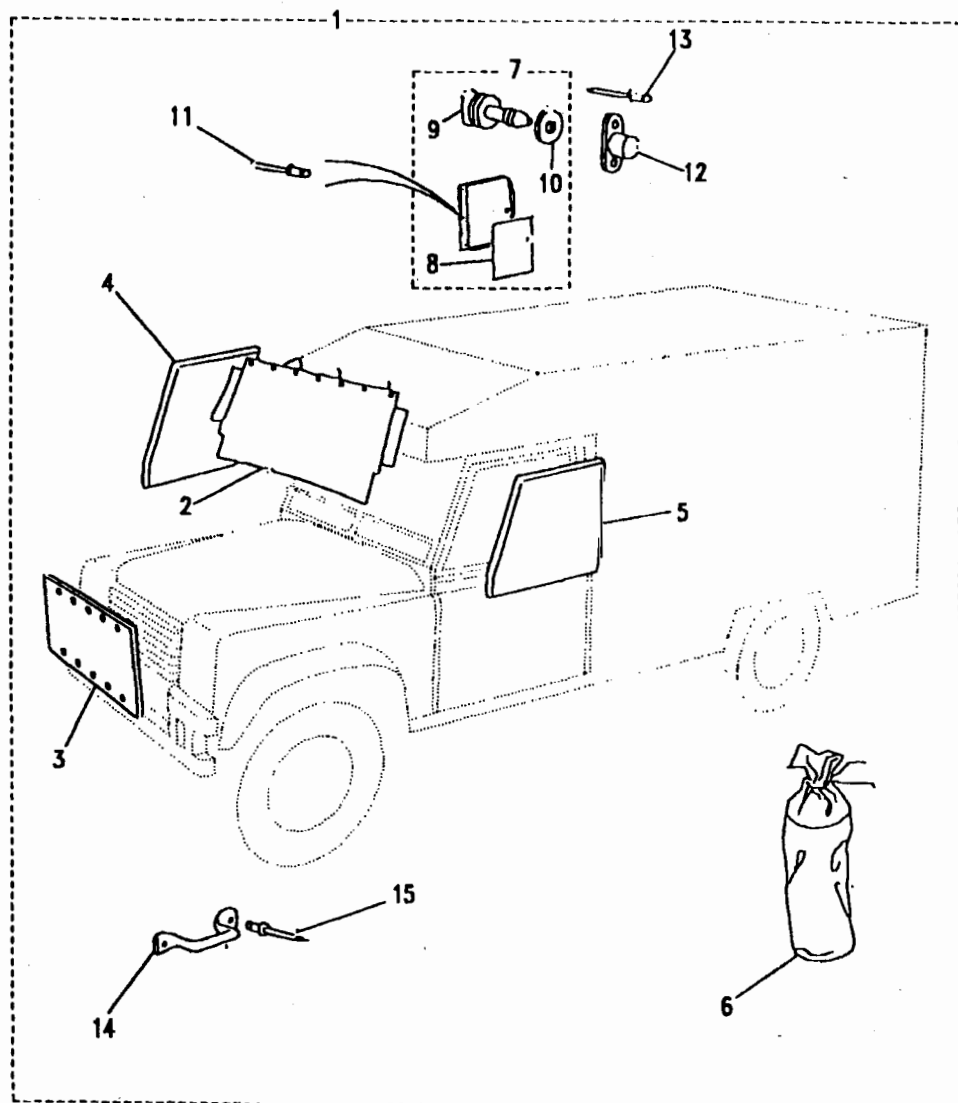
III. Part No.	Description	Qty	Remarks
1 RRC8371	Lamp guard	2	
2 AB608061L	Screw No8 x 3/4	4	
3 RRC3980	Retainer	4	
4 RRC3983	Fastener qtr turn	4	
5 AFU1926L	Nut captive	4	
6 RRC8772	Clip plastic	4	
7 WC105001L	Washer shakeproof M5	4	
8 RRC3979	Receptacle	4	
9 RU608253L	Rivet pop 1/8"	8	

Model DEFENDER XD ALL VARIANTS
 Page YDNXOB4A

BODY - SNOW COVERS - WINTERISED



III. Part No.	Description	Qty	Remarks
1	IPV100030	1	Soft top
	IPV100020	1	Hard top
2	IPK100060	1	
3	IPK100050	1	
4	IPK100070	2	
5	IPK100040	1	Hard top only
6	IPT100070	1	
7	BPA710010	1	
8	WLB100040	1	
9	WLF100060	1	
10	BYF100080	1	
11	RU613253L	3	
12	IPN100040	1	
13	RU608183L	2	
14	RRC3966	5	
15	RU613373L	10	



Model DEFENDER XD ALL VARIANTS
 Page YDNXOB5A

BODY - SNOW COVERS - AMBULANCE - WINTERISED

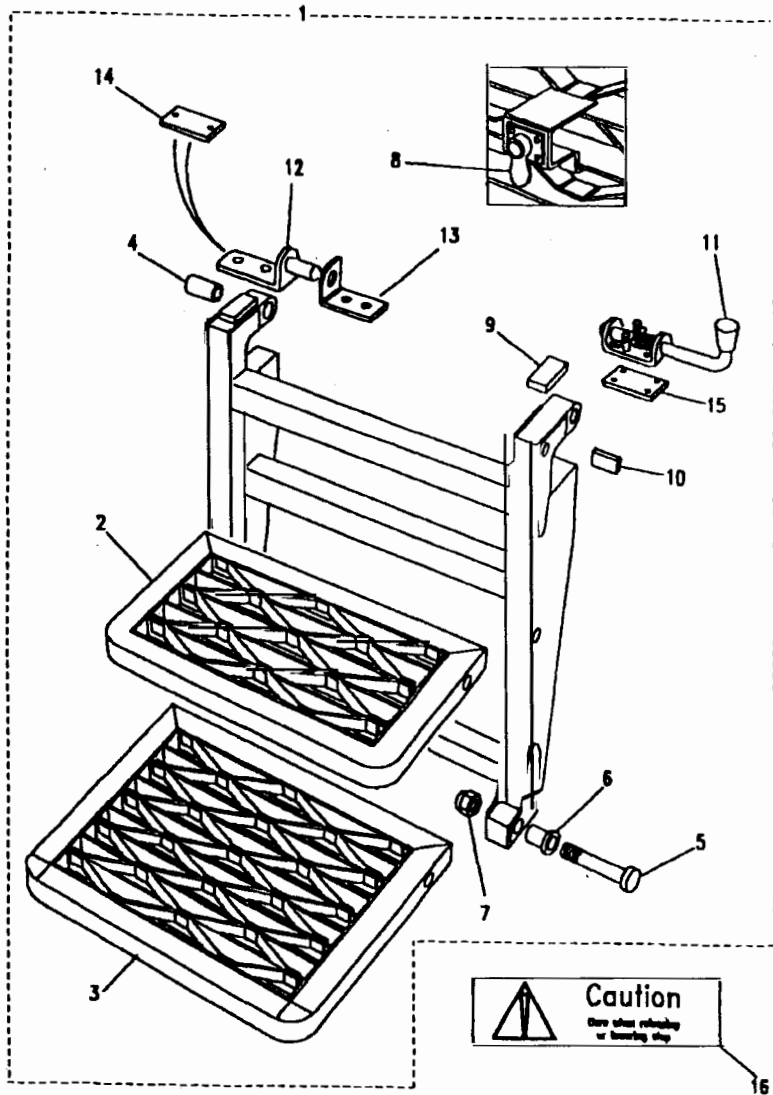
Ill. Part No.	Description	Qty	Remarks
1	STC4413	1	Kit snow covers
2	STC4417	1	Blind windscreen
3	IPK100050	1	Cover radiator
4	STC4416	1	Cover side window RH
5	STC4415	1	Cover side window LH
6	IPT100070	1	Bag snow covers
7	BPA710010	1	Door assembly fuel filler
8	WLB100040	1	Seal foam
9	WLF100060	1	Catch
10	BYF100080	1	Washer rubber
11	RU613253L	3	Rivet 3/16
12	STC2471	1	Fastener
13	RN608223	4	Rivet csk hd 1/8
14	RRC3966	5	Staple
15	RU613373L	10	Rivet 3/16

Note(1) Remove for ambulance application.

Model DEFENDER XD ALL VARIANTS
Page YDNXPA1A

BODY - REAR ACCESS STEP - AMBULANCE

Ill. Part No.	Description	Qty	Remarks
Folding rear step assembly			
1	STC3553	1	Step assembly complete
2	STC3554	1	Step upper
3	STC3555	1	Step lower
4	STC3591	2	Bush
5	STC3556	4	Pin pivot
6	STC3560	8	Bush flanged
7	NY110041L	4	Nut nyloc M10
8	STC2471	1	Fastener
9	STC3558	2	Buffer rubber 1 inch
10	STC3559	2	Buffer rubber 7/8 inch
11	STC3528	1	Shootbolt spring loaded
12	IQB100000	2	Pin hinge
13	IQC100000	2	Angle stop
14	IYS100010	2	Packer hinge pin
15	IYS100020	1	Packer shootbolt
Step operation warning label			
16	STC4248	1	Label caution





Model DEFENDER XD ALL VARIANTS

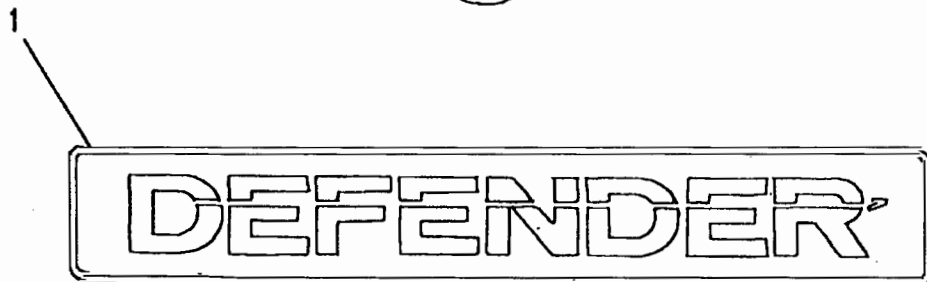
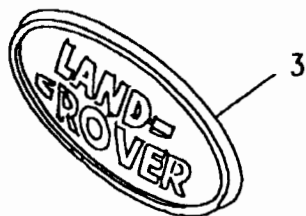
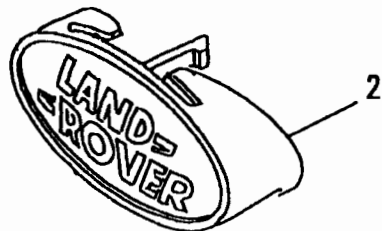
Page YDNXQA1A

BODY - TAPES AND BADGES

III. Part No.	Description	Qty	Remarks
1 BTR1045	Tape - DEFENDER	1	
2 MXC6402	Badge - LAND ROVER	1	Note(1)
DAS100150	Badge - LAND ROVER	1	Note(2)
3 BTR1047	Badge - LAND ROVER	1	Note(1)
DAH100680	Badge - LAND ROVER	1	Note(2)

Note(1) Silver - up to VA138479

Note(2) Gold - from WA138480



Model DEFENDER XD ALL VARIANTS
 Page YDNXRA1A

BODY - MIRRORS - REAR VIEW

III. Part No. Description Qty Remarks

Mirrors

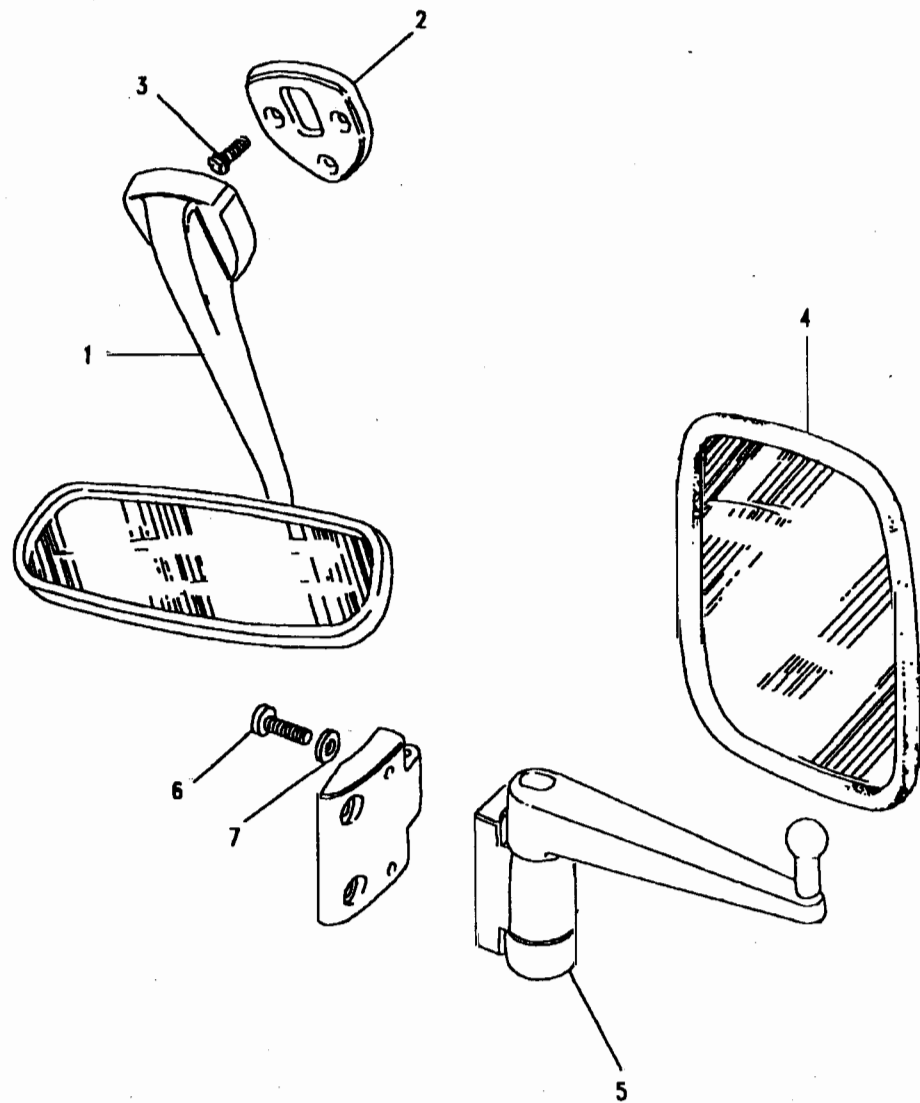
1	MTC6376	Mirror interior	1
2	372336	Base plate	1
3	SF104164	Screw	3
4	RRC8400	Mirror head exterior	2

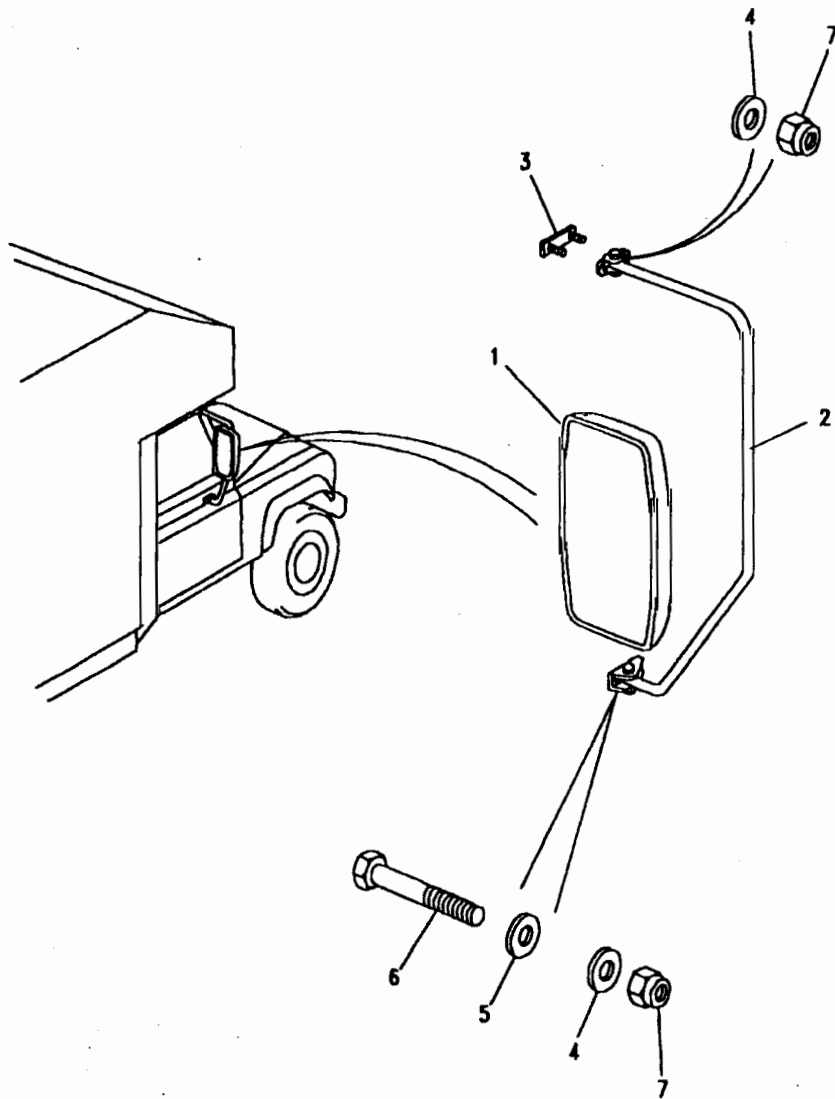
Short mirror arm & fixings

5	MTC5083	Mirror arm short	1
6	SE604071L	Screw	2
7	MRC1979	Washer nylon	2

Long mirror arm & fixings

5	RRC8443	Mirror arm	1	260mm hinge to ball
6	FS106255L	Screw	2	
7	WA106041L	Washer plain	2	

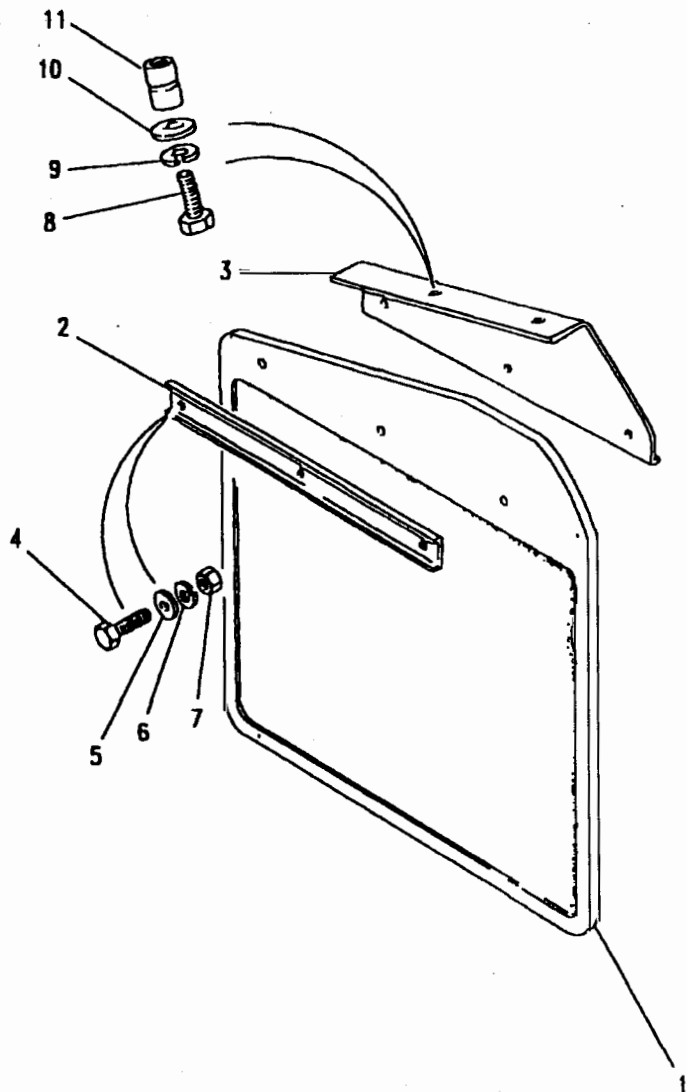




Model DEFENDER XD ALL VARIANTS
Page YDNXRA2A

BODY - MIRRORS - REAR VIEW - AMBULANCE

III. Part No.	Description	Qty	Remarks
Mirror head & D arm			
1 RRC8725	Mirror head exterior	2	
2 RRC8726	Mirror arm	2	
Fixings - mirror arm to door			
3 RRC8429	Stud upper hinge	2	
4 WA108051L	Washer plain M8	4	
5 WC108051L	Washer plain M8	2	
6 MWC2139	Bolt M8	2	
7 NY108041L	Nut nyloc M8	4	



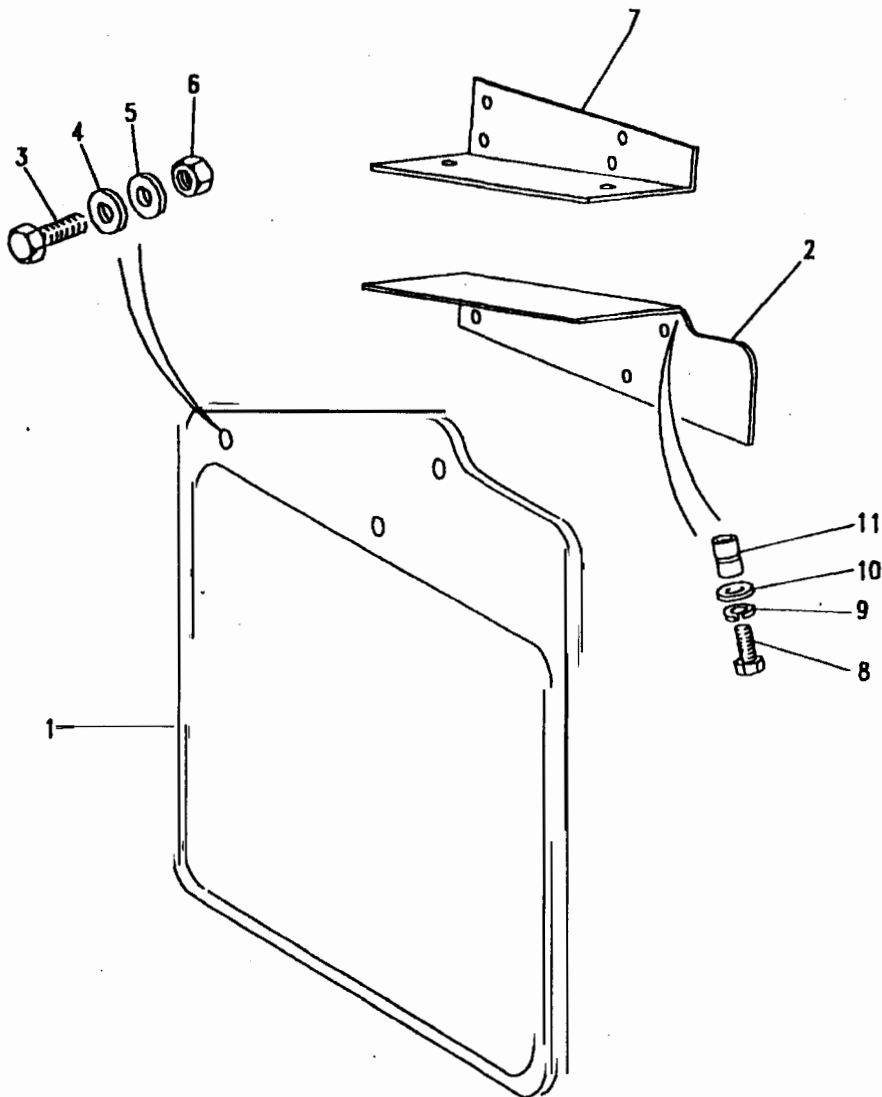
Model DEFENDER XD ALL VARIANTS

Page YDNXSA1A

BODY - MUD-FLAPS - FRONT - WINTERISED

III. Part No.	Description	Qty	Remarks
Mud-flaps - front - 90 & 110			
1	RTC4685	1	Mudflap pair front
2	MTC3874	2	Stiffener
3	MTC3000	1	Bracket mounting RH
	MTC3001	1	Bracket mounting LH
4	SE106251L	6	Screw M6 x 25
5	WA106041L	6	Washer plain M6
6	WC106041L	6	Washer plain M6
7	NY106041L	6	Nut nyloc M6
8	FS106207L	4	Screw M6 x 20
9	WL106001L	4	Washer spring M6
10	WA106041L	4	Washer plain M6
11	NN106021	4	Nutsert M6

Note(1) Use screws to replace factory fitted rivet fixings.



Model DEFENDER XD ALL VARIANTS

Page YDNXSA2A

BODY - MUD-FLAPS - REAR - 90 - WINTERISED

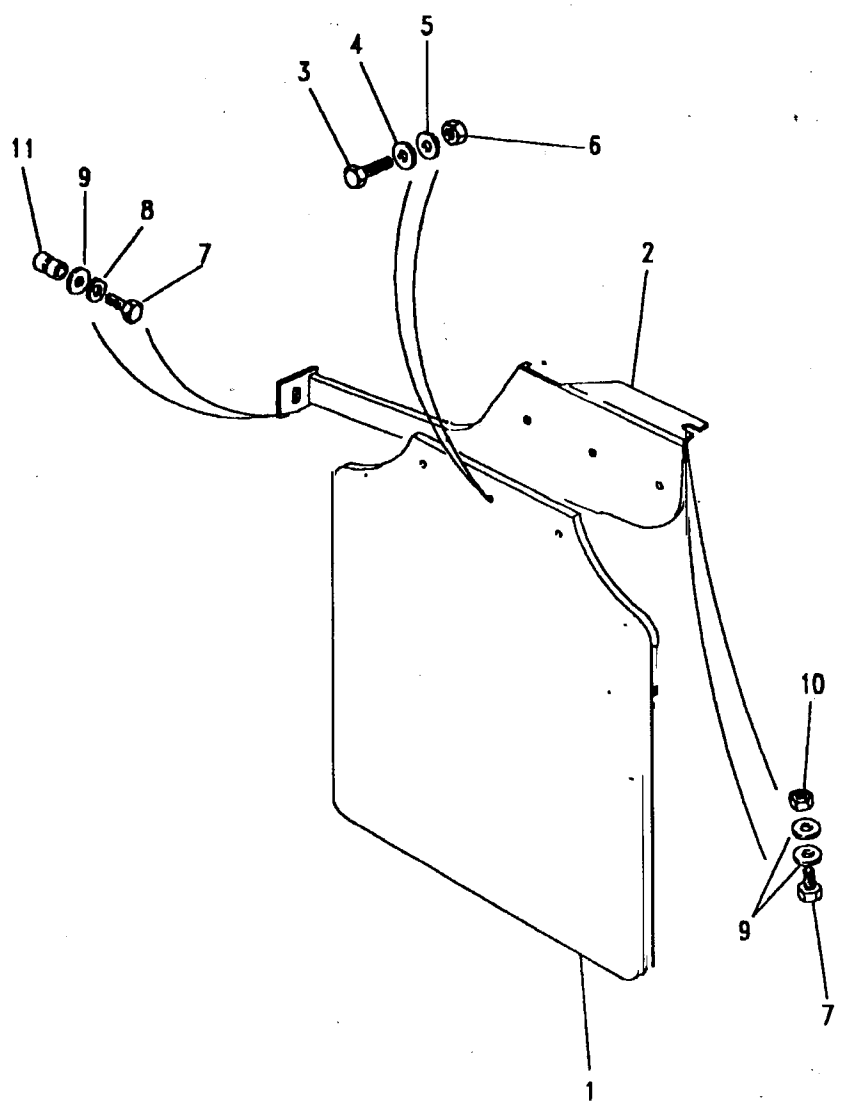
Ill. Part No.	Description	Qty	Remarks
Mud-flaps - rear - 90			
1	CAT101010	2	Mudflap rear
2	MUC3986	1	Bracket mounting RH
	MUC3987	1	Bracket mounting LH
3	SE106251L	6	Screw M6 x 25
4	WJ106001L	6	Washer plain M6
5	WC106041L	6	Washer plain M6
6	NY106047L	6	Nut nyloc M6
7	CAX100180	1	Bracket mudflap RH
	CAX100190	1	Bracket mudflap LH
8	FS106207L	6	Screw M6 x 20
9	WL106001L	6	Washer spring M6
10	WA106041L	6	Washer plain M6
11	NN106021	6	Nutsert M6

Note(1) Use screws to replace factory fitted rivet fixings.



Model DEFENDER XD ALL VARIANTS
Page YDNXSA3A

BODY - MUD-FLAPS - REAR - 110 - WINTERISED



Ill. Part No.	Description	Qty	Remarks
Mud-flaps - rear - 110			
1	BTR277	2	Mudflap rear
2	MTC8358	1	Bracket mounting RH
	MTC8357	1	Bracket mounting LH
3	FS106207L	6	Screw M6 x 20)Note(1)
4	WJ106001L	6	Washer plain M6)
5	WC106041L	6	Washer plain M6)
6	NY106047L	6	Nut nyloc M6)
7	FS106207L	6	Screw M6 x 20
8	WL106001L	2	Washer spring M6
9	WC106041L	10	Washer plain M6
10	NY106047L	4	Nut nyloc M6
11	NN106021	2	Nutsert M6

Note(1) Use screws to replace factory fitted rivet fixings.

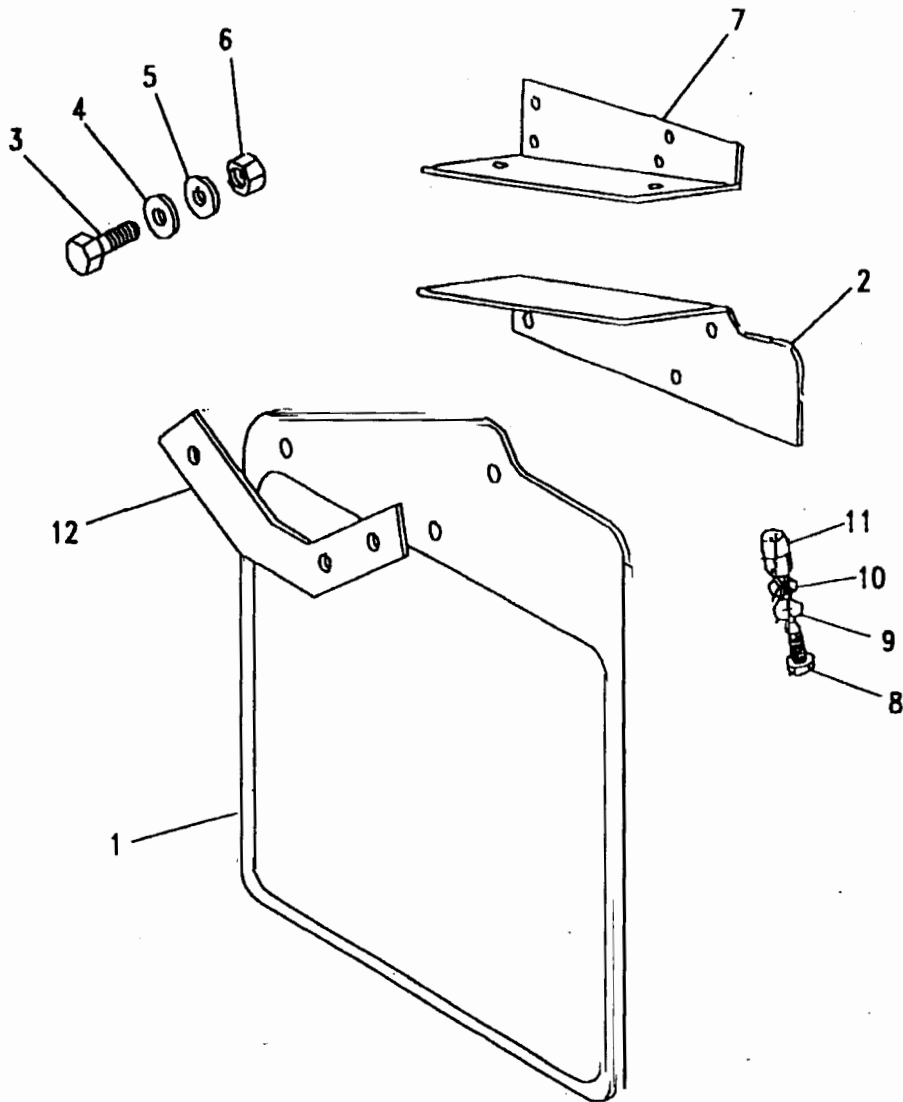


Model DEFENDER XD ALL VARIANTS
 Page YDNXSA4A

BODY - MUD-FLAPS - REAR - AMBULANCE - WINTERISED

III. Part No.	Description	Qty	Remarks
Mud-flaps - rear - ambulance			
1	MXC6412	1	
	MXC6413	1	
2	CAX100140	1	
	CAX100150	1	
3	SE106251L	6)Note(1)
4	WJ106001L	6	
5	WC106041L	6)
6	NY106047L	6	
7	CAX100180	1)Note(2)
	CAX100190	1	
8	FS106207L	6)
9	WL106001L	6	
10	WA106041L	6)
11	NN106021	6	
12	MUC1512	2	

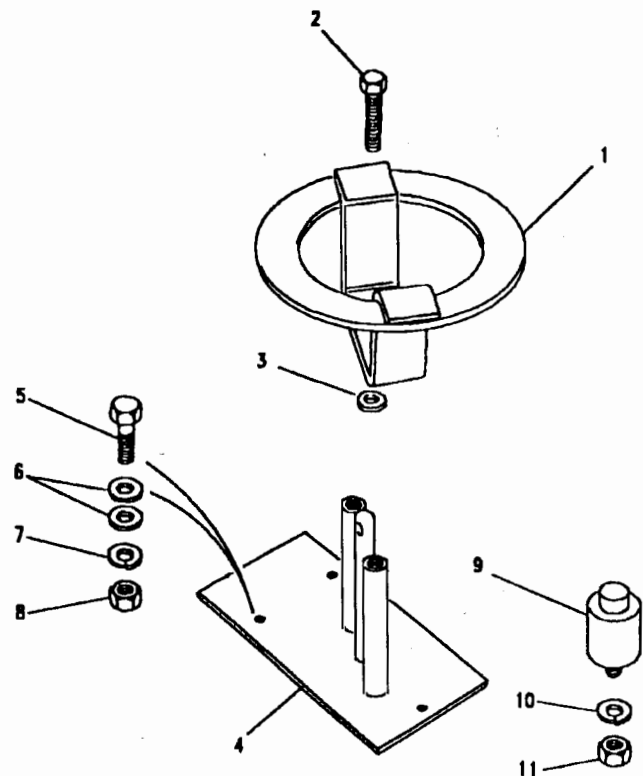
Note(1) Use screws to replace factory fitted rivet fixings.
 Note(2) Modify as required.



Model DEFENDER XD ALL VARIANTS
 Page YDNXTA1A

BODY - SPARE WHEEL MOUNTING - BONNET

Ill. Part No.	Description	Qty	Remarks
1	MUC2440 Retainer spare wheel	1	
2	MRC4473 Bolt M12 Special	2)Fixing
3	WD112081 Washer plain	2)retainer
4	MUC2442 Plate clamp spare wheel	1	
5	SH105161L Screw M5 x 16	3)
6	WA105001 Washer plain	6)Fixing
7	WL105001 Washer spring	3)plate clamp
8	NH105041 Nut M5	3)
9	MRC4619 Buffer bonnet spare wheel	4	
10	WB108051 Washer plain	4)Fixing
11	NY108041L Nut M8	4)buffer



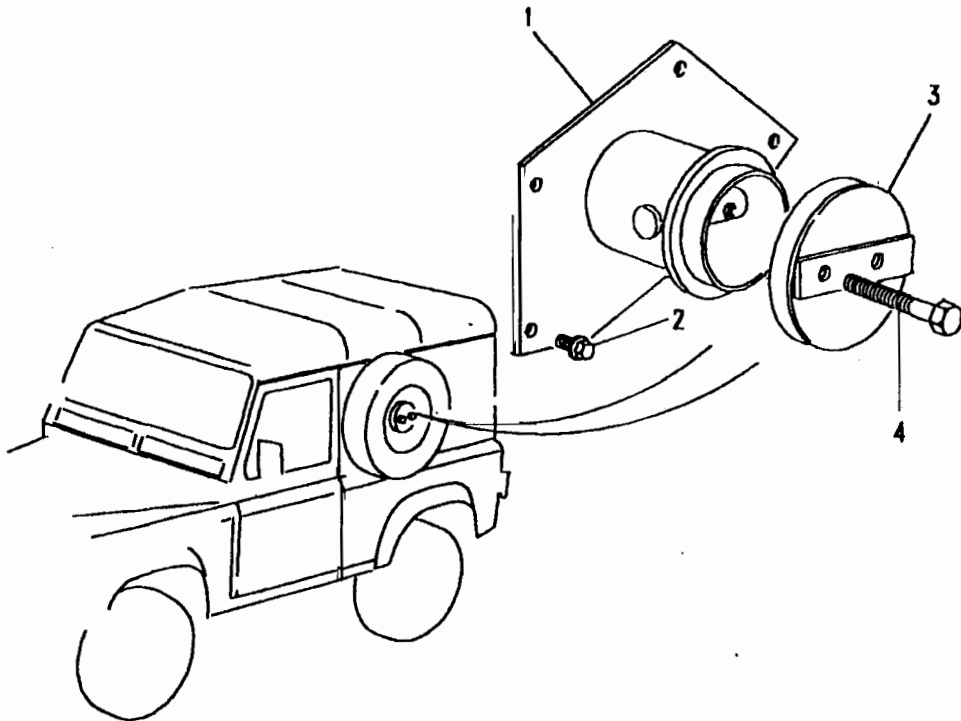


Model DEFENDER XD ALL VARIANTS

Page YDNXTA2A

BODY - SPARE WHEEL MOUNTING - SIDE

III. Part No.	Description	Qty	Remarks
1 ANR5820	Carrier spare wheel	1	Soft top
ANR5822	Carrier spare wheel	1	Hard top
2 FS108257L	Screw M8 x 25	6	
3 ANR5821	Clamp spare wheel	1	
4 ANR3719	Bolt M12 x 130	2	



Model DEFENDER XD ALL VARIANTS
Page YDNXTA3A

BODY - SPARE WHEEL MOUNTING - ROOF - AMBULANCE

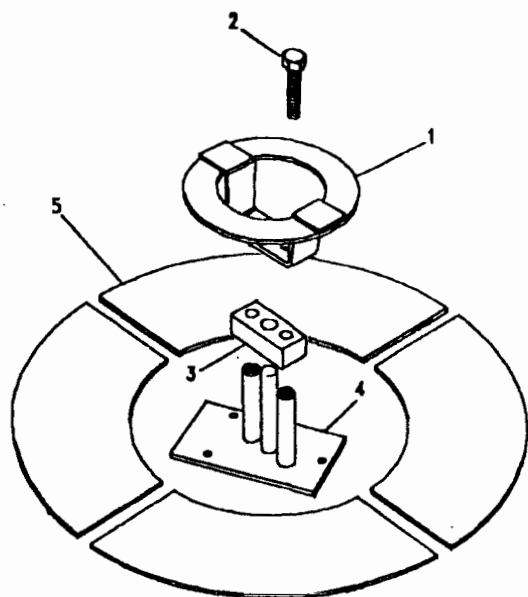
III. Part No. Description Qty Remarks

Roof mounted spare wheel retainer & wear protection pad

1	MUC2440	Retainer spare wheel	1
2	MRC4473	Bolt M12 special	2
3	STC3561	Spacer	1
4	MUC2442	Plate clamp spare wheel	1
5	STC2614	Pad wear	1

Adhesive for fixing wear pad

STC2511	Adhesive Bostik 2402	A/R	1ltr
STC2512	Primer Bostik 9252	A/R	

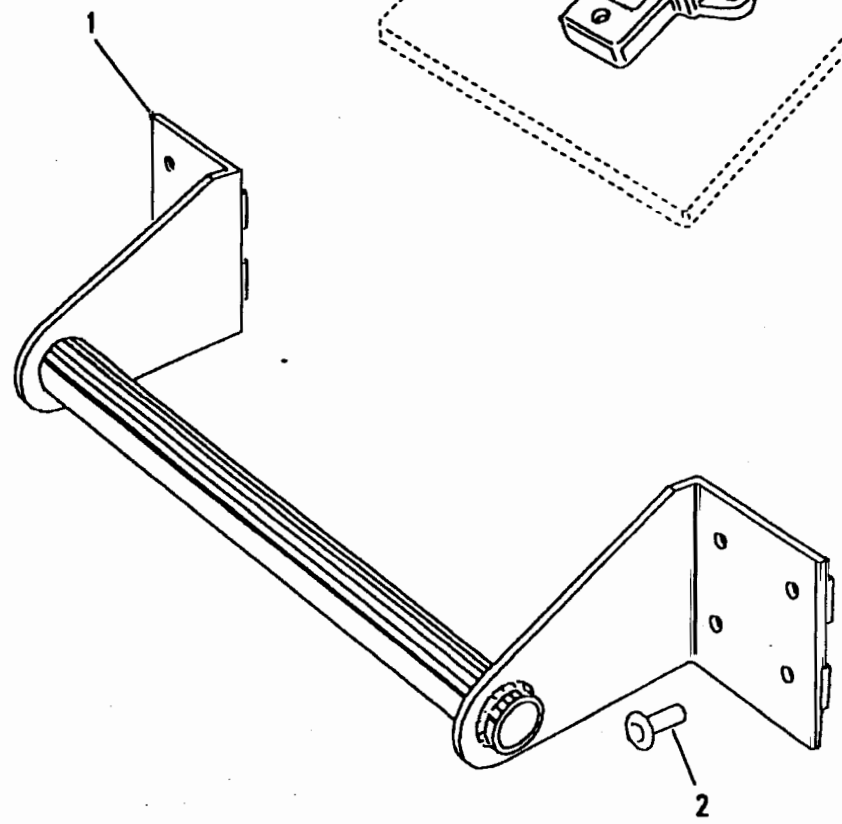
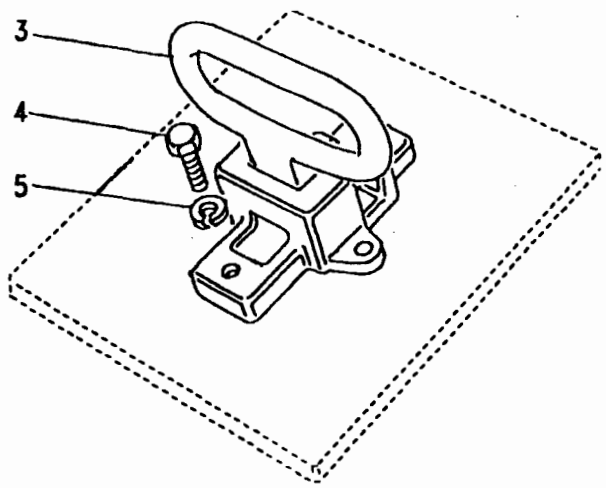




Model DEFENDER XD ALL VARIANTS
Page YDNXTC1A

BODY - ROOF ACCESS STEPS - AMBULANCE

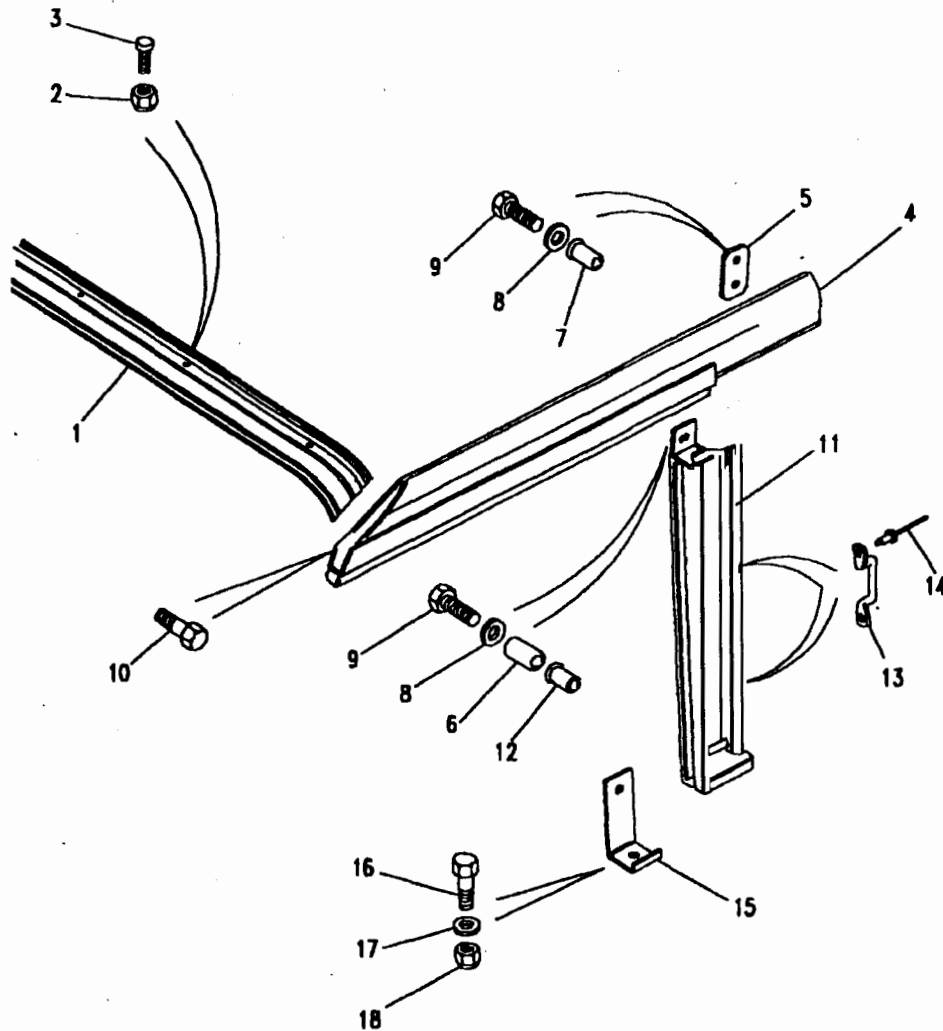
III. Part No.	Description	Qty	Remarks
1	STC3562	1	Step assembly ladder rung
2	STC3573	1	Monobolt dome hd 6.35mm
3	STC3651	1	Step folding
4	STC2410	4	Screw M6 x 25
5	STC2424	4	Washer shakeproof M6
	STC2505		Screwlock Loctite 222
			A/R 50ml



Model DEFENDER XD ALL VARIANTS
 Page YDNXUA1A

BODY - HEADER RAIL & DRAIN CHANNELS

Ill. Part No.	Description	Qty	Remarks
1	RRC8597 Header rail	1	
2	NY106047L Nut nyloc M6	6)Fixing
3	SE106251 Screw M6 x 25	6)header rail
4	RRC8386 Channel drain LH	1	
	RRC8387 Channel drain RH	1	
5	RRC8602 Bracket support channel	1)Fixing
6	IYF100000 Tube distance	1)drain channel
7	RRC8666 Nutsert M8	4)
8	WC108051 Washer plain	4)
9	SH108251 Screw M8 x 25	3)
10	RRC8760 Bolt locking M8 x 40	2)
11	RRC8388 Channel vertical LH	1	
	RRC8389 Channel vertical RH	1	
12	RRC8666 Nutsert M8	1	
13	RRC3966 Staple hood strap	2	
14	BTR8535 Rivet staple to channel	4	
15	RRC8622 Bracket channel vertical	2	
16	BH108051 Bolt M8 x 25	1)Fixing
17	WA108051L Washer plain	1)bracket
18	NY108041L Nut M8 nyloc	1)

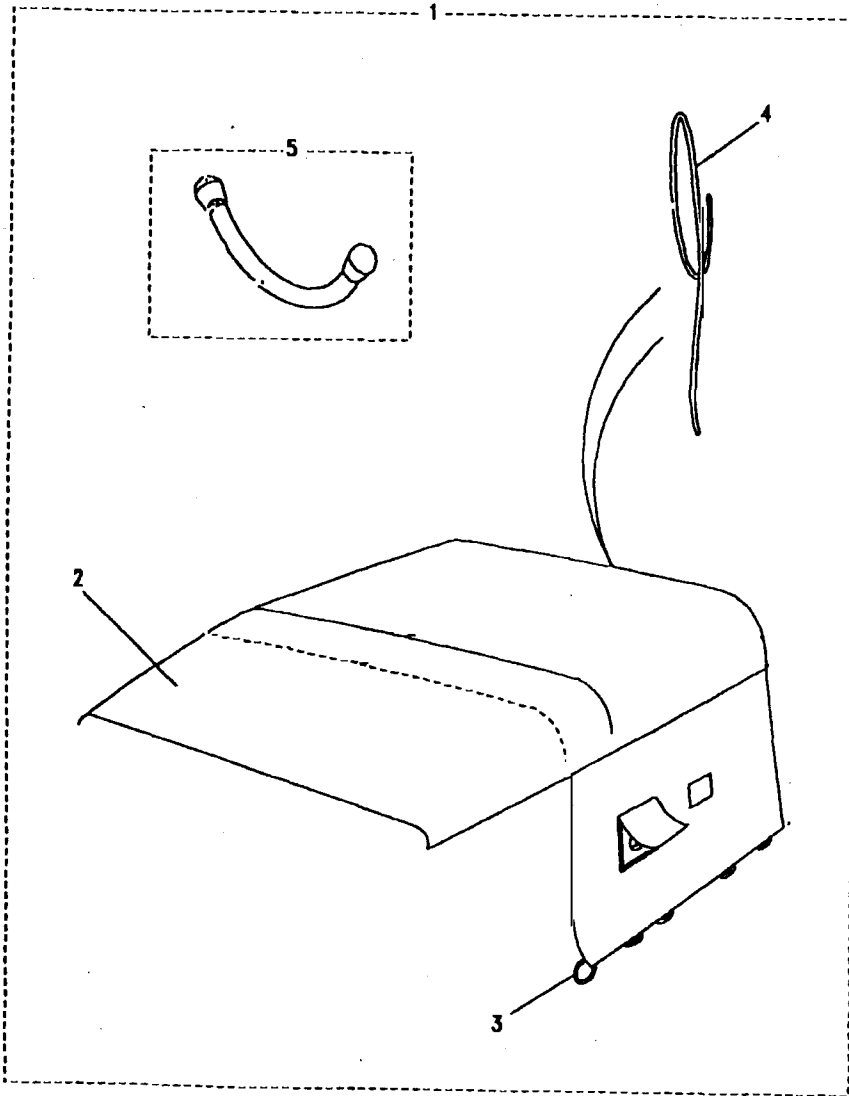




Model DEFENDER XD ALL VARIANTS
Page YDNXUA4A

BODY - HOOD ASSEMBLY - 90

III. Part No.	Description	Qty	Remarks
1 RRC8709	Hood full length green	1	
IRM100030	Hood full length green	1)Waterproof
2 IRM100020	Panel front escape	1)vehicles
3 RRC8796	Rope side curtain	2	
4 DJZ100030	Rope rear curtain	2	
5 STC4005	Rope elastic	5	

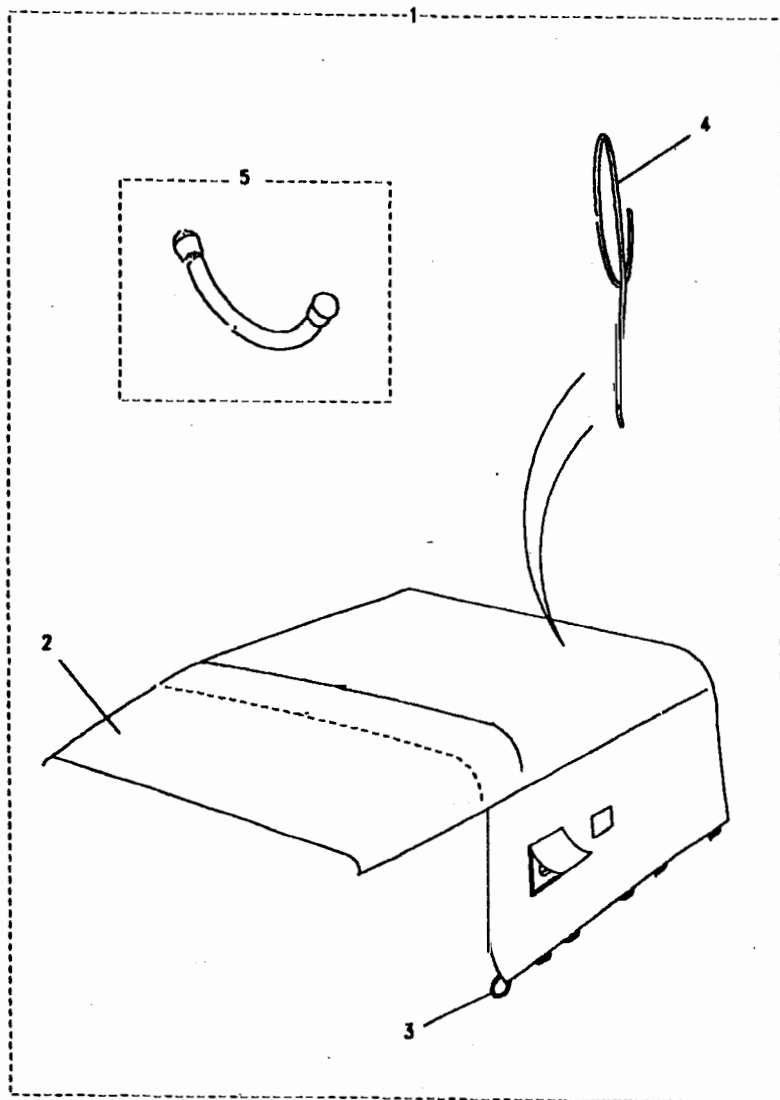




Model DEFENDER XD ALL VARIANTS
Page YDNXUA5A

BODY - HOOD ASSEMBLY - 110

III. Part No.	Description	Qty	Remarks
1 RRC8710	Hood full length green	1	
IRM100000	Hood full length green	1)Waterproof
2 IRM100020	Panel front escape	1)vehicles
3 DJZ100030	Rope side curtain	2	
4 DJZ100030	Rope rear curtain	2	
5 STC4005	Rope elastic	5	

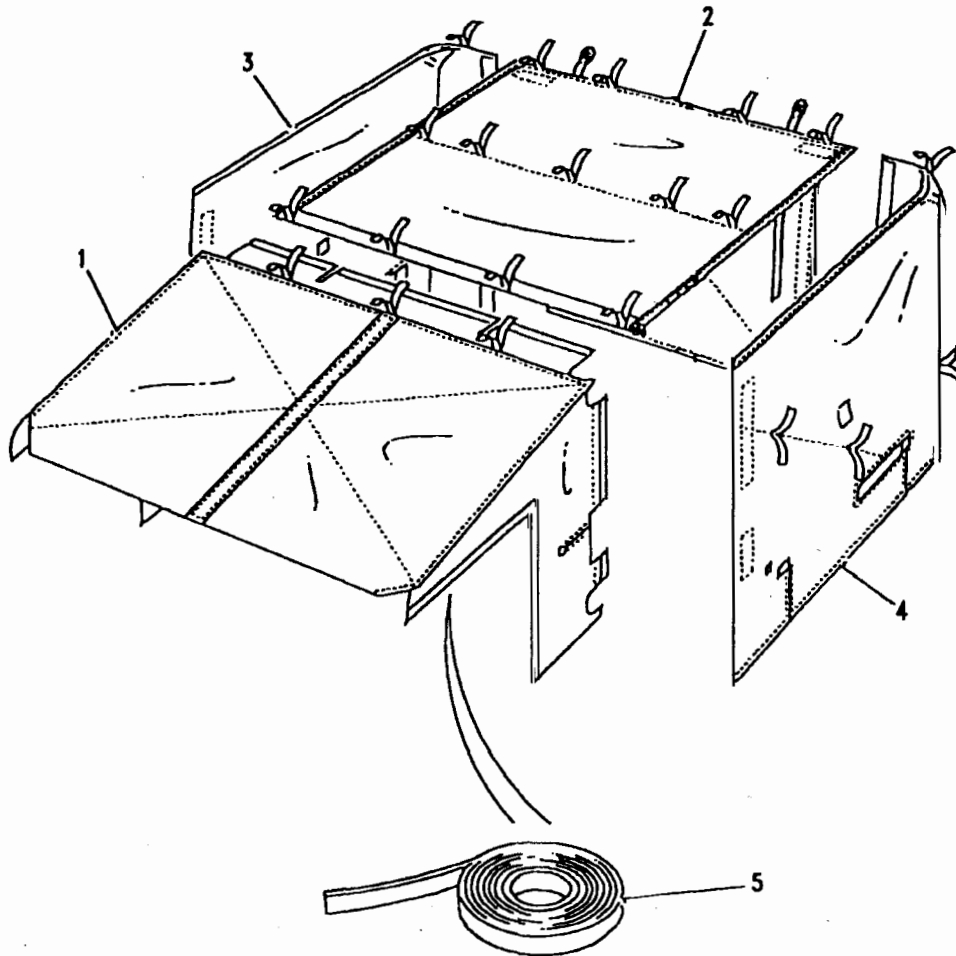




Model DEFENDER XD ALL VARIANTS

Page YDNXUC1A

BODY - HOOD LINING - WINTERISED

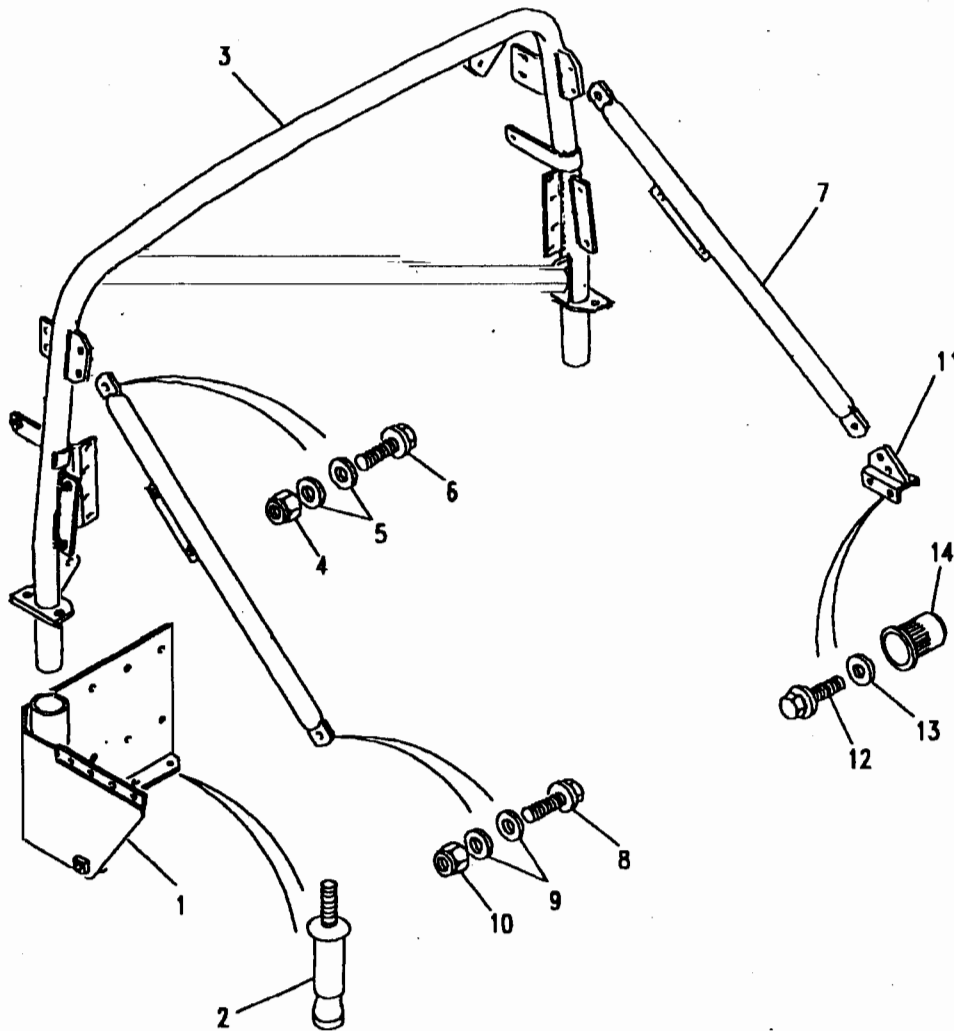


III. Part No.	Description	Qty	Remarks
1 ETU100460	Insulation interior front	1	
2 ETU100410	Insulation interior rear	1	90
ETU100400	Insulation interior rear	1	110
3 ETU100440	Insulation int side RH	1	90
ETU100420	Insulation int side RH	1	110
4 ETU100450	Insulation int side LH	1	90
ETU100430	Insulation int side LH	1	110
5 IZM100000	Tape velcro loop 20mm	A/R	2.5m length



Model DEFENDER XD ALL VARIANTS
 Page YDNXUE1A

BODY - ROLL PROTECTION - FRONT

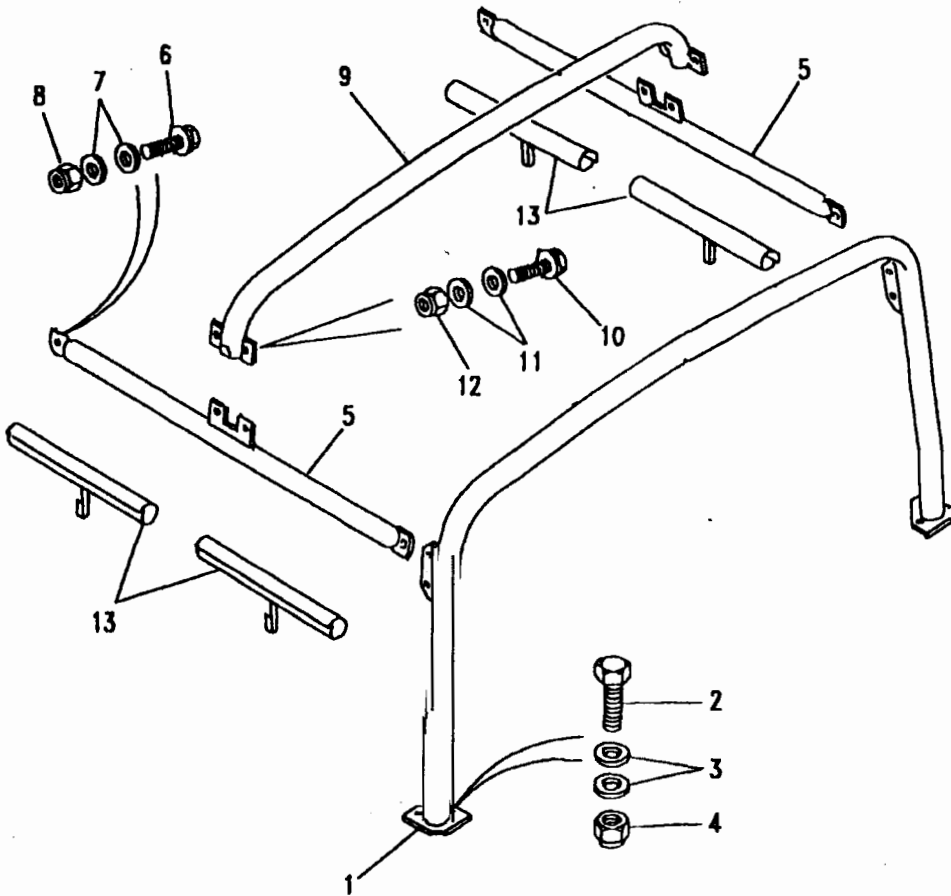


III. Part No.	Description	Qty	Remarks
1	ALR9028	1	
	ALR9029	1	
2	AFU1350	18	
3	ASR1785	1	Note(1)
4	FS110301L	4	
5	WA110061L	8	
6	NY110051L	4	
7	ALR5438	1	
	ALR5437	1	
8	FS110301L	2	
9	WA110061L	4	
10	NY110047L	2	
11	ASR1378	1	
	ASR1379	1	
12	FS110301L	4	
13	WA110061L	4	
14	ASR1184	4	

Note(1) Supplied complete with diagonal brace.

Model DEFENDER XD ALL VARIANTS
 Page YDNXUE2A

BODY - ROLL PROTECTION - REAR - 90



Part No.	Description	Qty	Remarks
1	ALR7051 DUV100000	1	Up to VA116396
2	FS110301L	1	From VA116397
3	WA110061L	4)Hoop to body
4	NY110051L	8)
5	ALR7967	4)
6	FS110301L	2)Tie bar to hoop
7	WA110061L	4)
8	NY110051L	8)
9	RRC8516	4)
10	FS110251L	1)Tube to tie bar
11	WA110061L	4)
12	NY110051L	8)
13	RRC8242LCS	4)

Model DEFENDER XD ALL VARIANTS
 Page YDNXUE3A

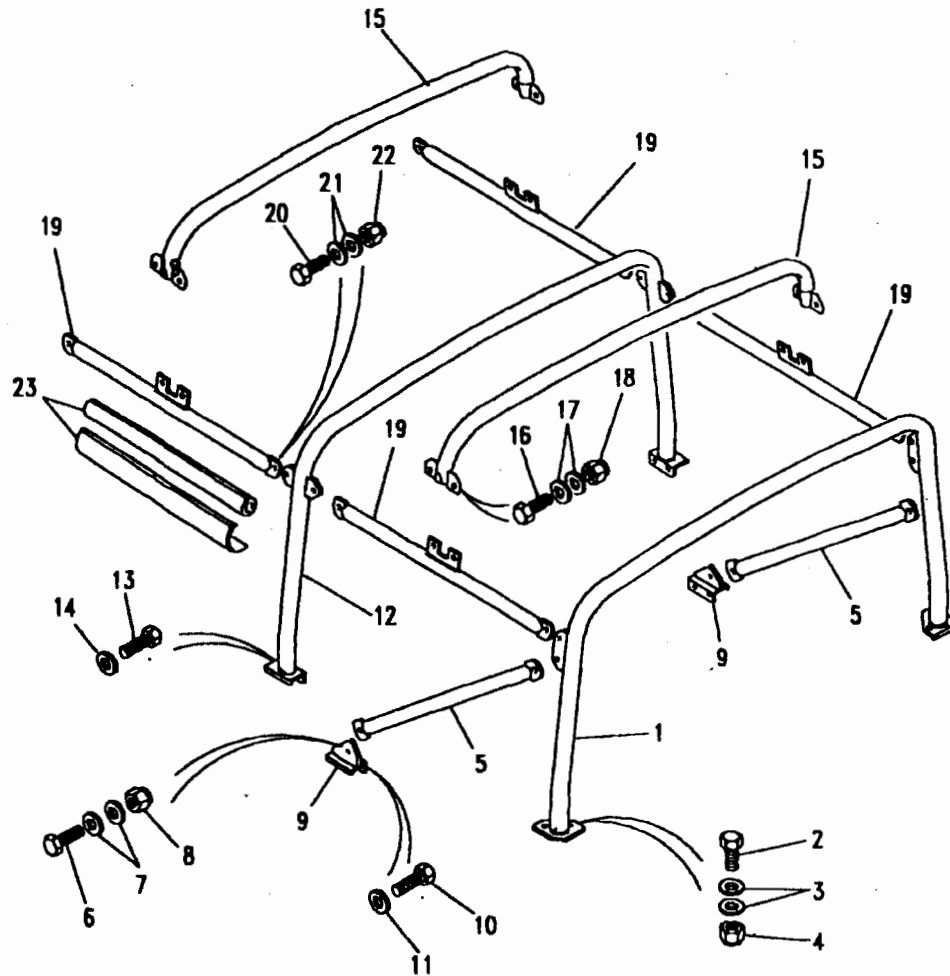
BODY - ROLL PROTECTION - REAR - 110

III. Part No.

Description

Qty Remarks

1	ALR7051 DUV100000	Hoop rear roll protect Hoop rear roll protect	1 1	Up to VA116396 From VA116397
2	FS110301L	Screw M10 x 30	4)Hoop to body
3	WA110061L	Washer plain M10	8)
4	NY110051L	Nut nyloc M10	4)
5	ALR4871	Brace rail	2)
6	FS110301L	Screw M10 x 30	2)Brace to bracket
7	WA110061L	Washer plain M10	4)
8	NY110051L	Nut nyloc M10	2)
9	ASR1378	Bracket RH	1)
	ASR1379	Bracket LH	1)
10	FS110301L	Screw M10 x 30	4)Bracket to capping
11	WA110061L	Washer plain M10	4)
12	ASR14,10	Hoop intermediate	1)
13	FS110301L	Screw M10 x 30	4)Hoop to body
14	WA110061L	Washer plain M10	4)
15	RRC8516	Tube hood support	2)
16	FS110251L	Screw M10 x 25	4)Tube to tie bar
17	WA110061L	Washer plain M10	8)
18	NY110051L	Nut nyloc M10	4)
19	ALR7971	Tie bar cantrail	4)
20	FS110301L	Screw M10 x 30	4)Tie bar to hoop
21	WA110061L	Washer plain M10	8)
22	NY110051L	Nut nyloc M10	4)
23	RRC8241LCS	Cover head protection	4)





MASTER INDEX

	PAGES
INTRODUCTION PAGES	1 - 4
ALPHABETICAL INDEX	5 - 16
ENGINE	17 - 57
GEARBOX	58 - 74
TRANSFER BOX	75 - 90
AXLES AND SUSPENSION	91 - 129
STEERING	130 - 141
VEHICLE AND ENGINE CONTROLS	142 - 148
BRAKES	149 - 161
FUEL SYSTEM AND AIR CLEANER	162 - 179
EXHAUST SYSTEM	180 - 185
COOLING/HEATING	186 - 225
BODY ELECTRICAL	226 - 319
BODY AND CHASSIS	320 - 444
INTERIOR TRIM	445 - 459
SEATS	460 - 473
STOWAGE	474 - 482
ACCESSORIES - PAINTS	483 - 495
NUMERICAL INDEX	497 - 530

GROUP P

INTERIOR TRIM

INTERIOR TRIM

FACIA - UPPER CRASH PAD	446 - 447
FACIA - DUCTING - WINTERISED	448
FACIA - INSTRUMENT PANEL AND COWL	449
FACIA - ASHTRAY	450
FACIA - PARCEL TRAY & HEATER DUCT	451 - 452
FACIA - SUPPORT BRACKET - WATERPROOF	453
DOOR - FRONT	454
DOOR - REAR END	455
TAILGATE CLADDING - WATERPROOF	456
SUNVISORS	457
INSULATION	458
INSULATION - WINTERISED	459

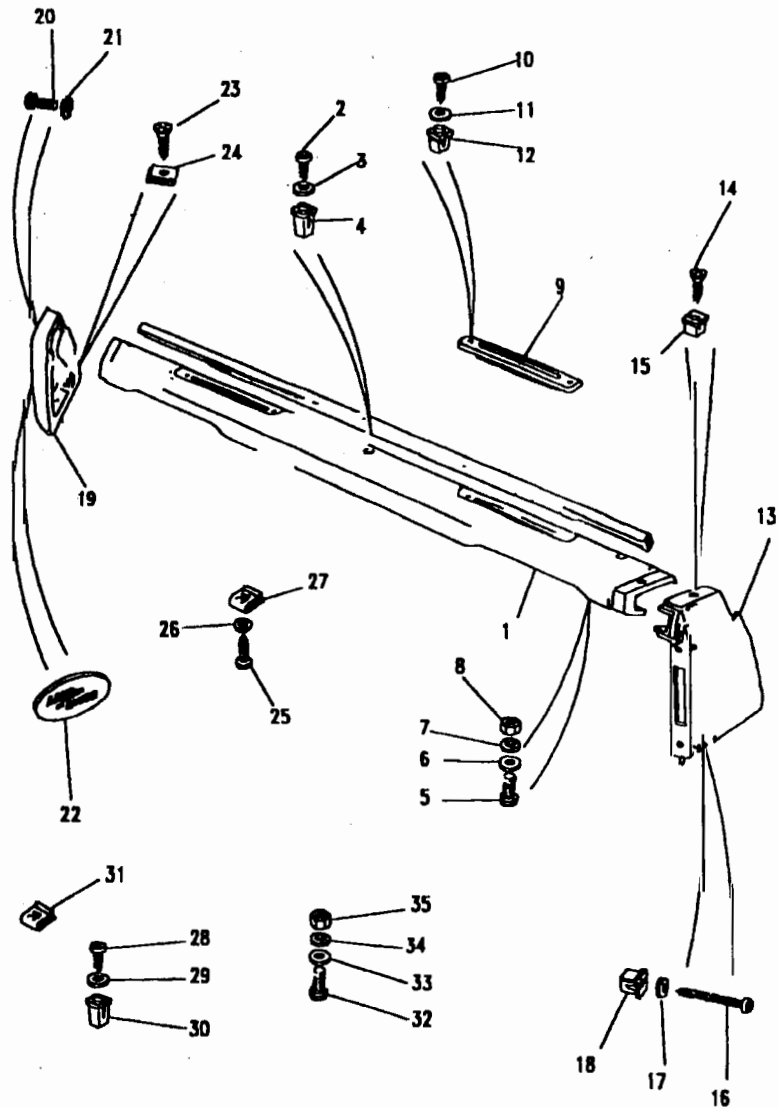


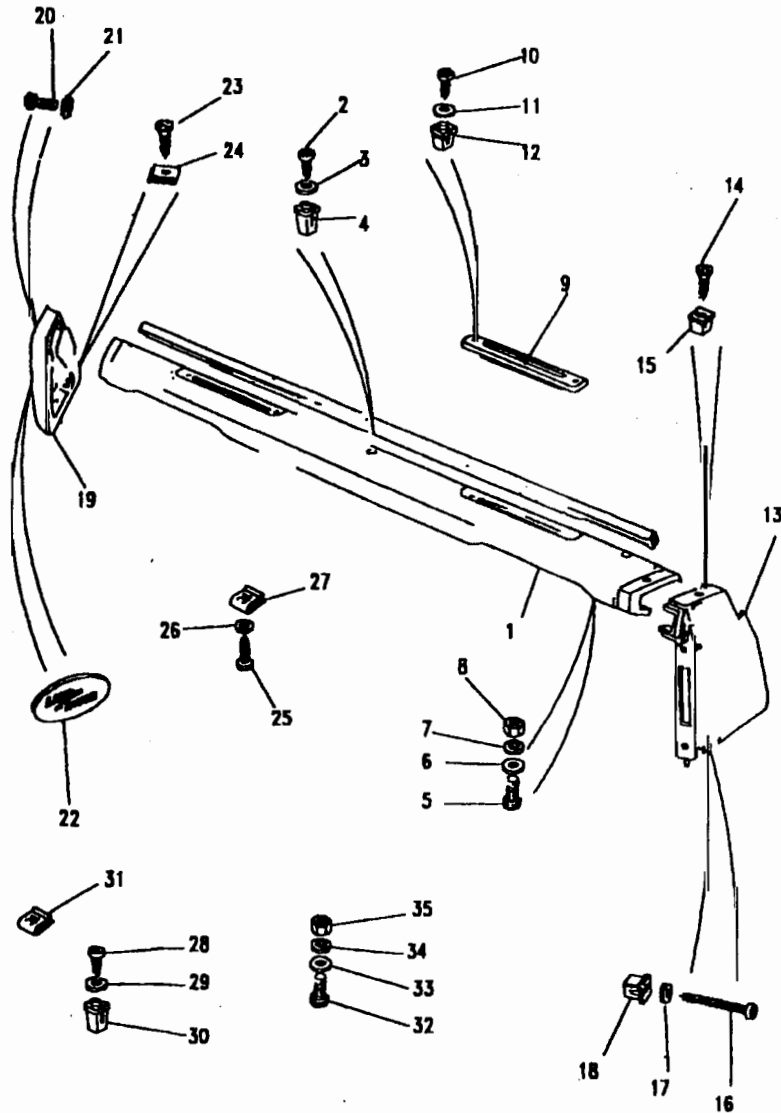
Model DEFENDER XD ALL VARIANTS
 Page YDPXAA1A

TRIM - FACIA - UPPER CRASH PAD

Ill. Part No.	Description	Qty	Remarks
1	MXC6084PMA	1	Crash pad upper
2	AB614065L	8	Screw No14 x 3/4
3	WC106044L	3	Washer plain M6
4	RTC3744	3	Nut lokut
	CZA4705L	3	Nut lokut
	SE104124L	3	Screw
5	SE104124L	2	Screw
6	WA104001L	2	Washer plain M4
7	WL104004	2	Washer spring M4
8	NH104044	2	Nut
9	BTR912	2	Demister outlet
10	AB606065L	4	Screw No6 x 3/4
11	WA105001L	4	Washer plain M5
12	RTC3745	4	Nut lokut
13	MWC9338PMA	1	Trim panel RH Stg
	MWC9339PMA	1	Trim panel LH Stg
		1	Note(1)
14	AD606044L	1	Screw No6 x 1/2
15	RTC3745	1	Nut lokut
16	AB610124L	1	Screw No10 x 1 1/2
17	AFU1248	1	Washer plain
18	RTC3748	1	Nut lokut
19	MTC6143	1	Grab handle LH
	MTC6142	1	Grab handle RH
		1	RH Stg - note(1)
		1	LH Stg

Note(1) For winterised vehicles see page 448

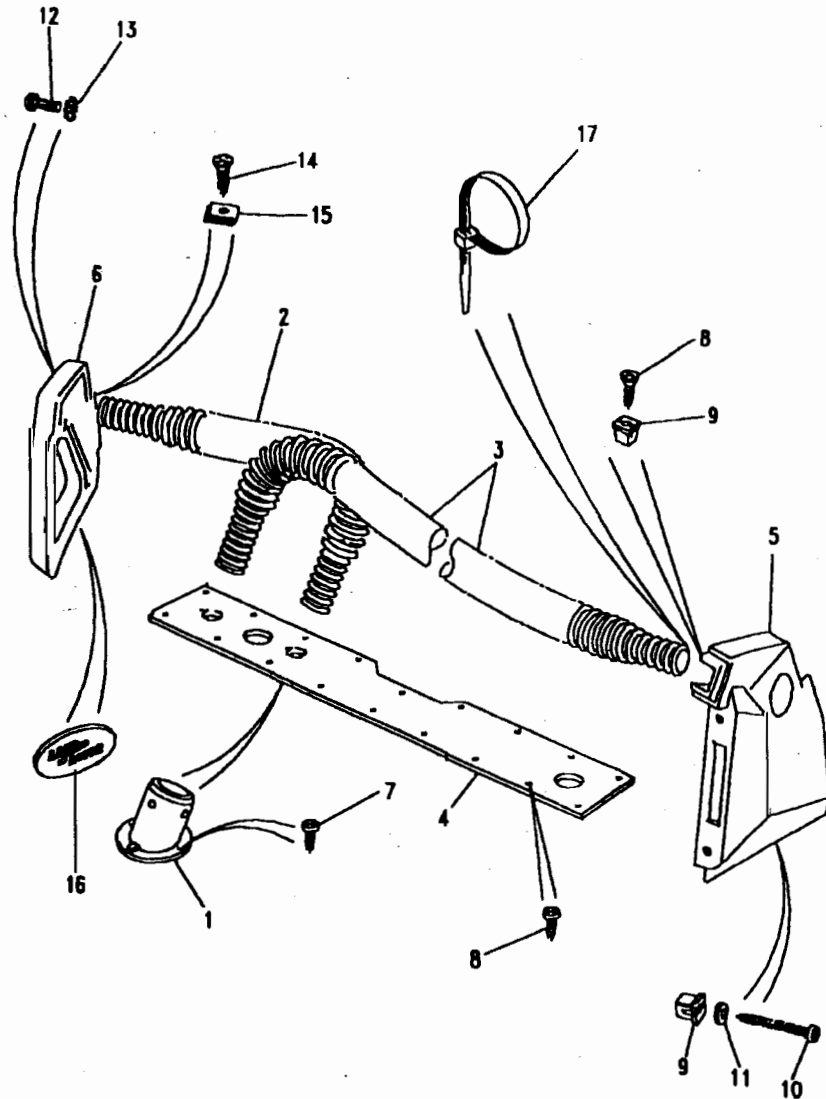




Model DEFENDER XD ALL VARIANTS
 Page YDPXAA1A

TRIM - FACIA - UPPER CRASH PAD

III. Part No.	Description	Qty	Remarks
20	SE105121L	1	Screw M5 x 12
21	WF105001L	1	Washer shakeproof M5
22	MTC5851	1	Badge Land Rover
23	AC606104	1	Screw
24	AK606031	1	Nut spring
25	AB606044L	2	Screw No6 x 1/2
	AB608047L	6	Screw No8 x 1/2
26	WA104001L	2	Washer plain M4
	WA105001L	6	Washer plain M5
27	AJ606011L	2	Nut spring No6
Fixings - crash rail to front plate			
28	AB608051L	2	Screw No8 x 5/8
29	WA105001L	2	Washer plain M5
30	RTC3745	2	Nut lokut
31	AK606031	1	Nut spring No6
32	SE105121L	2	Screw M5 x 12
33	WC105001L	4	Washer plain M5
34	WM702001L	2	Washer spring M5
35	NH105041L	2	Nut M5



Model DEFENDER XD ALL VARIANTS

Page YDPXAA1B

TRIM - FACIA - DUCTING - WINTERISED

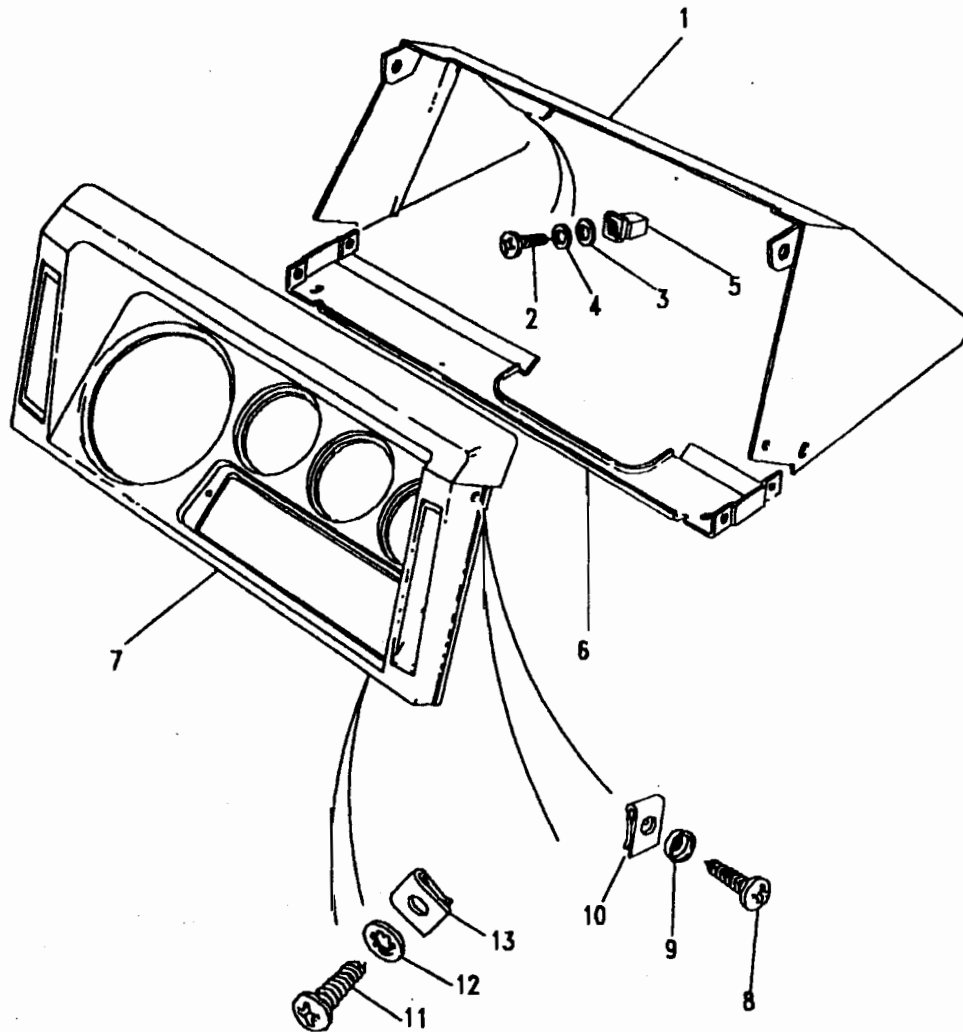
Part No.	Description	Qty	Remarks
Side-screen demist - winterised vehicles			
1	RRC7316	Adaptor duct	2
2	RRC7318	Duct assembly demist LH	1
3	RRC7319	Duct assembly demist RH	1
4	RRC7320	Panel closing/insulation	1
5	RRC7323	Trim panel end	1
6	RRC7327	Handle grab panel end	1
7	AB606031	Screw No6 x 3/8	8
8	AB606041L	Screw No6 x 1/2	21
9	RTC3745	Nut lokut	3
10	AB610124L	Screw No10 x 1 1/2	1
11	AFU1248	Washer plain	1
12	SE105121L	Screw M5 x 12	1
13	WF105001L	Washer shakeproof M5	1
14	AC606104	Screw	1
15	AK606031	Nut spring	1
16	MTC5851	Badge Land Rover	1
17	UKC6684L	Cable tie 3.5 x 150mm	2

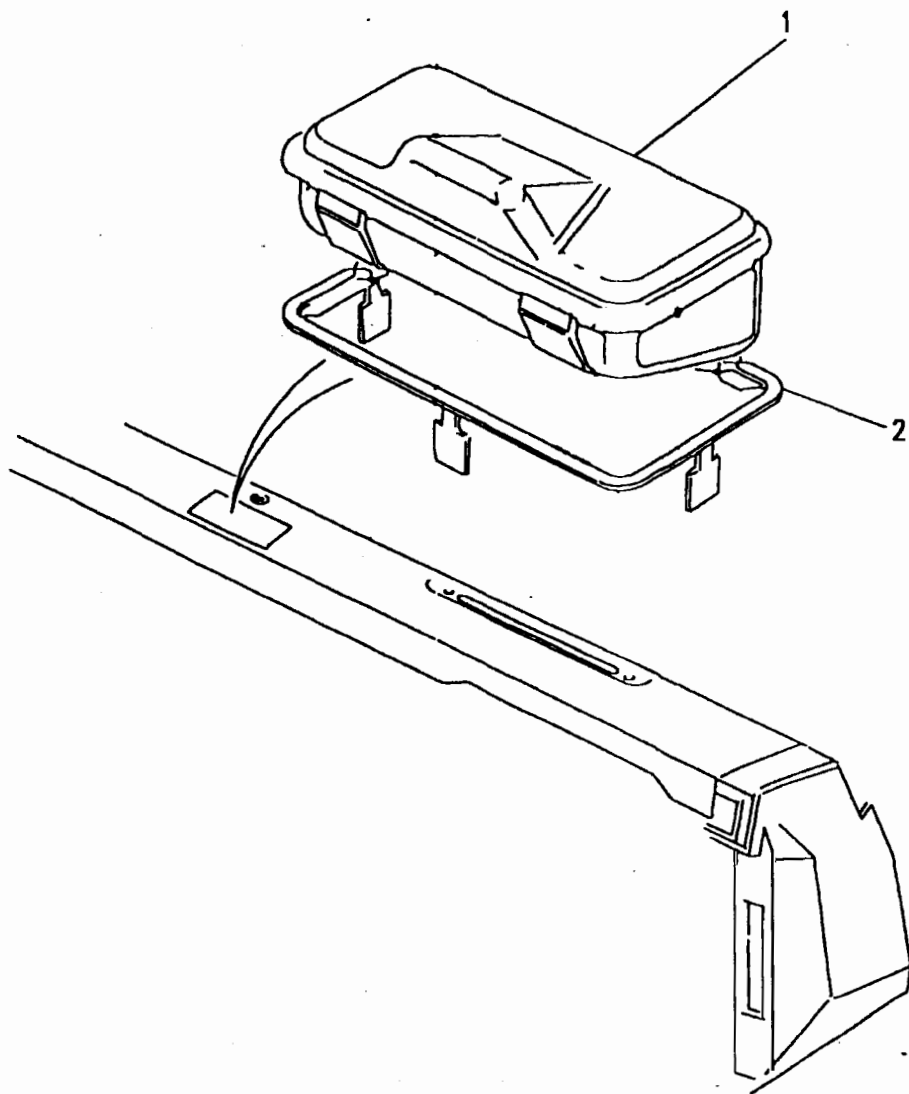


Model DEFENDER XD ALL VARIANTS
 Page YDPXAA1C

TRIM - FACIA - INSTRUMENT PANEL AND COWL

III. Part No.	Description	Qty	Remarks
1	MTC2808 Cowl instrument	1	
2	AZ610081 Screw	5	
3	AFU1218L Washer plain	5	
4	WL105001L Washer spring	5	
	WF702108 Washer shakeproof	5	
5	CZA4705L Nut lokut	5	
6	MUC7598 Stiffener base panel	1	RH Stg
	MUC7599 Stiffener base panel	1	LH Stg
7	MTC5458 Panel instrument	1	RH Stg
	MTC5459 Panel instrument	1	LH Stg
8	AD606044L Screw	2	
9	WK606214L Washer cup	2	
10	MWC9322 Nut spring	2	
11	AB606044L Screw	2	
12	WF704064 Washer shakeproof	2	
13	MWC9322 Nut spring	2	



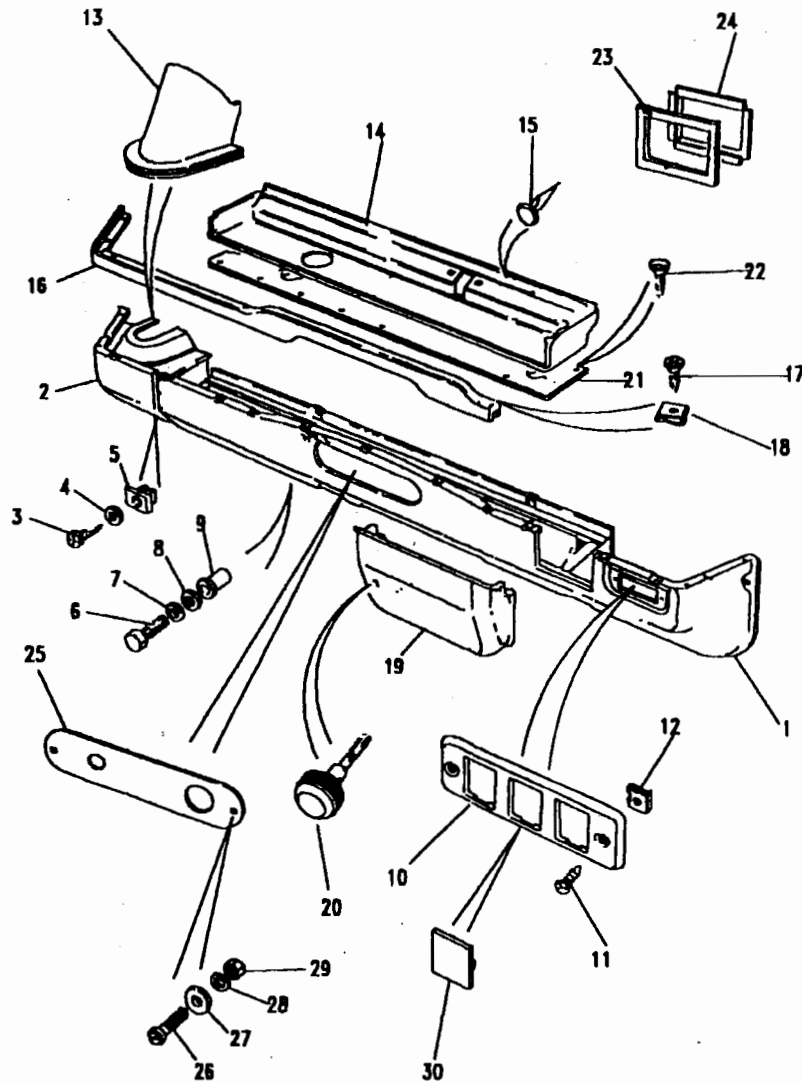


Mod I DEFENDER XD ALL VARIANTS
Page YDPXAA3A

TRIM - FACIA - ASHTRAY

III. Part No.	Description	Qty	Remarks
1 DZA5097L	Ashtray	1	
2 MUC1582	Retainer	1	





Model DEFENDER XD ALL VARIANTS

Page YDPXAC1A

TRIM - FACIA - PARCEL TRAY & HEATER DUCT

III. Part No. Description Qty Remarks

Heater duct

1	AWR5007	Duct assy	1	RH Stg
	MTC2827	Duct assy	1	LH Stg

Wiper motor cover

2	MTC3523	Cover wiper motor	1	RH Stg
	MTC6080	Cover wiper motor	1	LH Stg

Fixings - duct assembly to dash

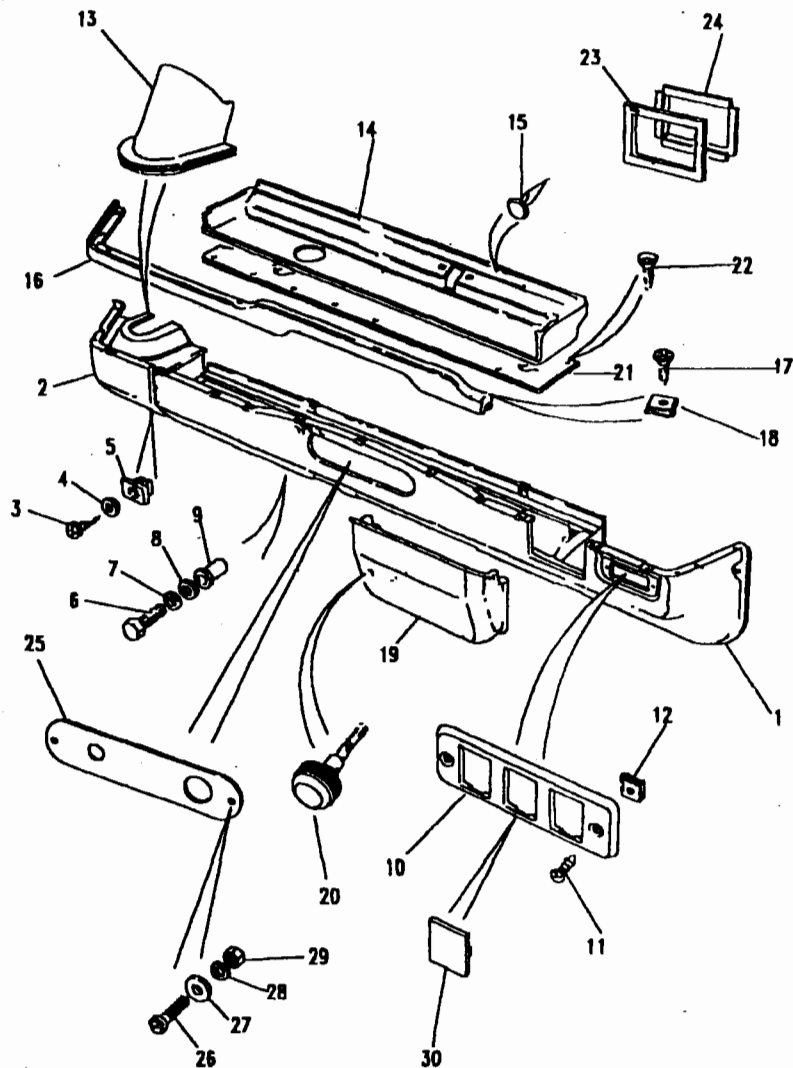
3	AB608054L	Screw No8 x 5/8	10	
4	AFU1248	Washer plain	10	
5	AFU2692	Nut lokut	10	
6	SH105201L	Screw M5 x 20	2	
7	WL105001L	Washer spring M5	2	
8	WC105001L	Washer plain M5	2	
9	NN105021L	Nutsert M5	2	
10	MTC2640	Switch panel	1	RH Stg only
11	AD606041L	Screw No6 x 1/2	2	
12	AK606011L	Nut spring	2	
13	MTC3705LOY	Cover	1	

Parcel tray

14	RRC7340	Parcel tray	1	RH Stg
	MRC7283	Parcel tray	1	LH Stg

Fixings - parcel tray to dash

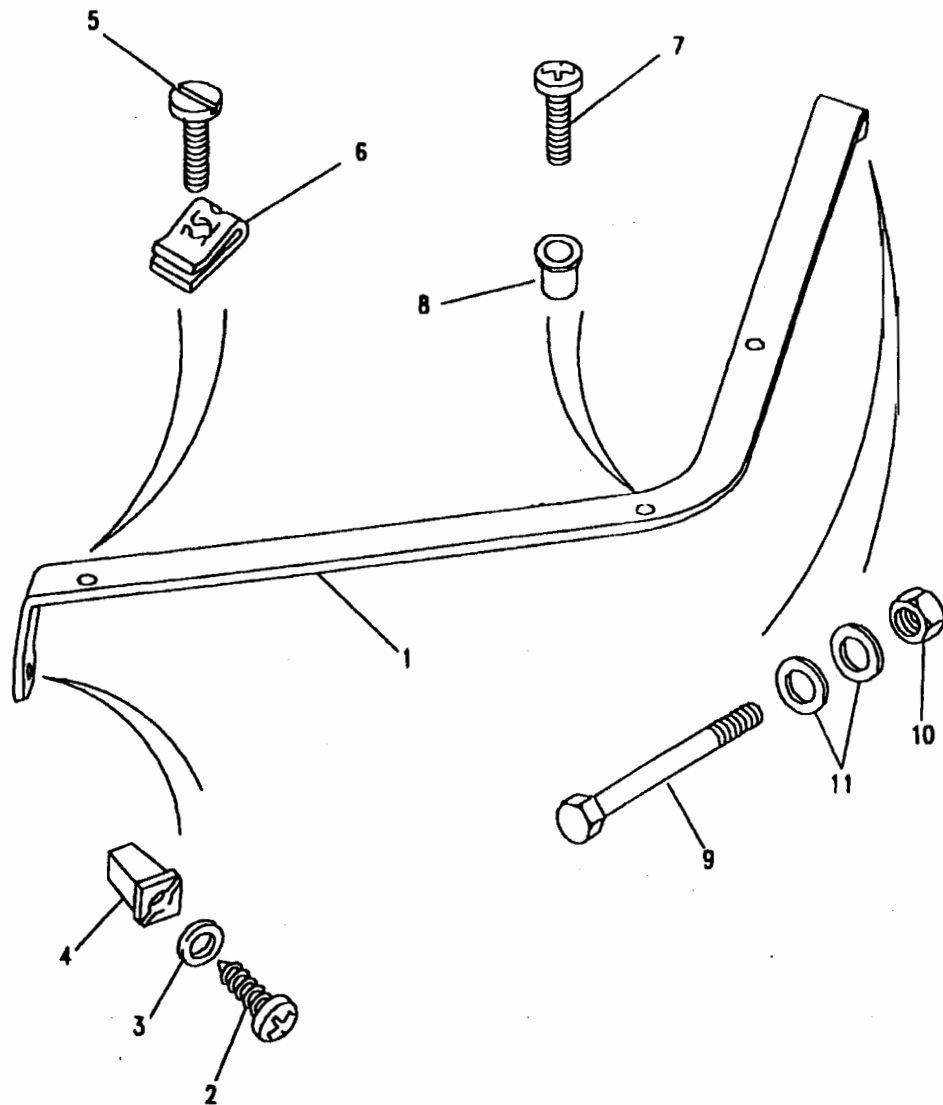
15	AFU2813	Fastener	5	
	AB606044L	Screw No6 x 1/2	5)Alternative
	WA104001L	Washer plain	5)Fixings



Model DEFENDER XD ALL VARIANTS
 Page YDPXACIA

TRIM - FACIA - PARCEL TRAY & HEATER DUCT

Ill. Part No.	Description	Qty	Remarks
Facia trim & fixings			
16 AWR5988	Finisher	1	RH Stg
AWR5987	Finisher	1	LH Stg
17 AC606064L	Screw No6 x 3/4	3	
18 AK606031	Nut spring	3	
19 BTR2307	Cover fusebox	1	NLA use YQH101080
YQH101080	Cover fusebox	1	
20 MTC9968	Screw cover fixing	2	
21 MRC8584	Panel closing	1	RH Stg
MRC8585	Panel closing	1	LH Stg
22 AB606041L	Screw No6 x 1/2	22	
23 MTC6871	Seal	1	
24 MUC4801	Bezel	1	
Centre facia plate - standard vehicles - FFR			
25 AMR5449	Panel ammeter mounting	1	
26 SE105201L	Screw M5 x 20	2	
27 AFU1248	Washer plastic	2	
28 WC105001	Washer plain M5	2	
29 NH105041L	Nut M5	2	
Centre facia plate - winterised vehicles			
25 BTR9614	Facia plate	1	
26 SE105204	Screw M5 x 20	2	
27 AFU1248	Washer plastic	2	
28 WC105001	Washer plain M5	2	
29 NH105041L	Nut M5	2	
Switch blanking plates - waterproof vehicles			
30 AAM222L	Plug blanking	3	



Model DEFENDER XD ALL VARIANTS
 Page YDPXAC2A

TRIM - FACIA - SUPPORT BRACKET - WATERPROOF

III. Part No.	Description	Qty	Remarks
Grab handle support bracket - waterproof vehicles			
1	EJO100030	1	Bracket handle support
2	AB608054L	1	Screw No8 x 5/8
3	AFU1248	1	Washer plain
4	AFU2692	1	Nut lokut
5	AC606064L	1	Screw
6	AK606031	1	Nut spring
7	SE105204	1	Screw M5 x 20
8	ASR1185	1	Nutsert M5
9	BH106161L	1	Bolt M6 x 80
10	NY106047L	1	Nut nyloc M6
11	WA106041L	2	Washer plain M6

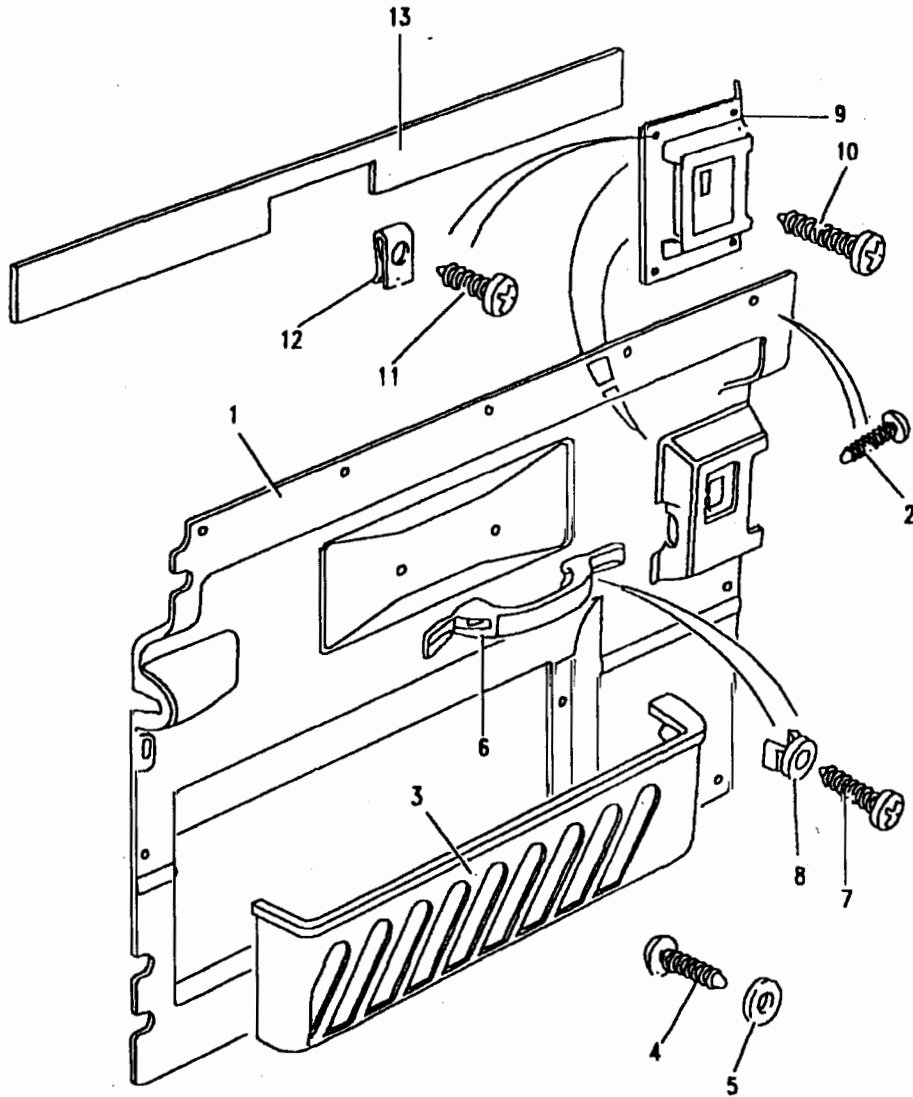


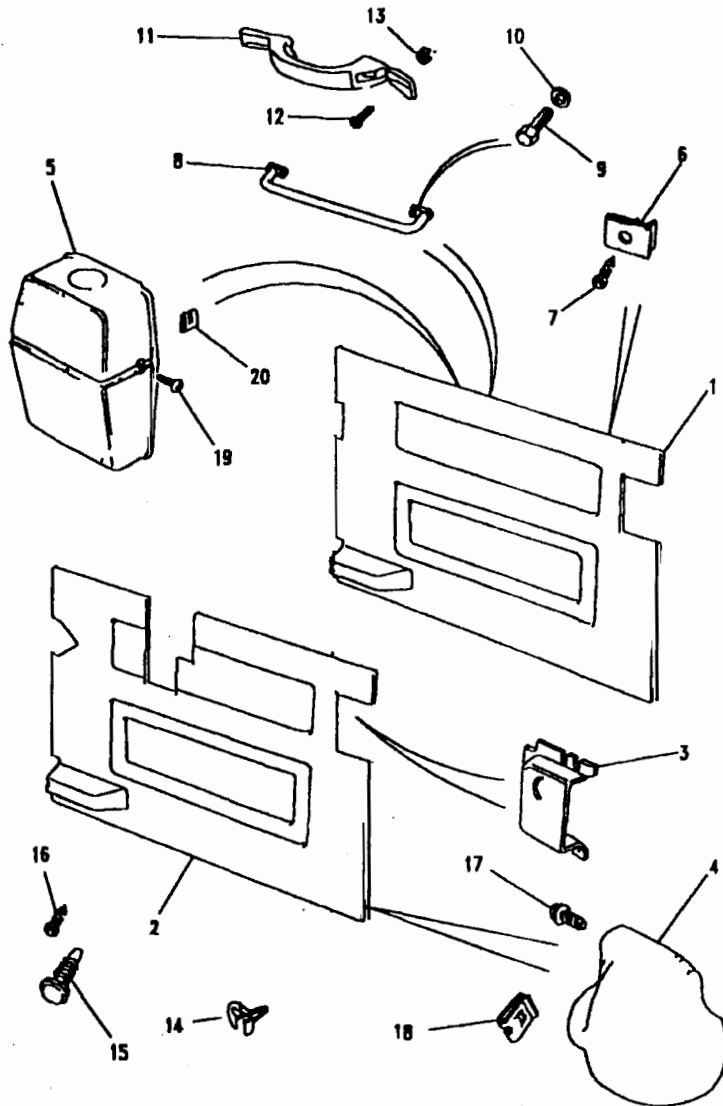


Model DEFENDER XD ALL VARIANTS
Page YDPXA1A

TRIM - DOOR - FRONT

III. Part No.	Description	Qty	Remarks
Casing door			
1	RRC8056PMA	1	Casing front door RH
	EJB121940PMA	1	Casing front door RH
	RRC8057PMA	1	Casing front door LH
	EJB121950PMA	1	Casing front door LH
2	BNP4107PMAL	24	Clip firtree
Bin stowage and fixings			
3	RRC8361PMA	1	Bin stowage RH
	RRC8362PMA	1	Bin stowage LH
4	AB604051L	8	Screw
5	WA103001	8	Washer
Door pull and fixings			
6	YOO451PMA	2	Door pull
7	AB608061	4	Screw No8 x 3/4
8	AFU1926L	4	Nut captive
Door lock covers - detachable - waterproof vehicles			
9	EJG100090PMA	1	Cover lock RH
	EJG100100PMA	1	Cover lock LH
10	DA610055	2	Screw No10 x 5/8
11	AB606044L	6	Screw No6 x 1/2
12	AK606011L	6	Nut spire
Cover - upper door casing - winterised vehicles			
13	EKG103360PMA	1	Cover RH
	EKG103370PMA	1	Cover LH





Model DEFENDER XD ALL VARIANTS

Page YDPXEG1A

TRIM - DOOR - REAR END

III. Part No.	Description	Qty	Remarks
Door casing without wash wipe			
1	AWR1609LOY Casing rear end door	1	
Door casing with wash wipe - winterised			
2	BTR9712LOY Casing rear end door	1	
	ELB109450PMA Casing rear end door	1	Waterproof
Door furniture			
3	BTR9714LOY Cover lock	1	
	EJG100120PMA Cover lock	1	Waterproof
4	BTR9715LOY Cover grommet mtg bracket	1	
5	BTR9723LOY Cover rear wiper motor	1	Waterproof
6	AFU1926L Nut captive	3	
7	AFU2636 Screw	7	Up to VA111538
	DA608064 Screw No8 x 3/4	7)From VA111539
	WA104004L Washer plain M4	7)
8	MUC1402 Handle door metal	1	
9	SH106204 Screw M6 x 20	2	
10	WL106004L Washer spring M6	2	
11	YOO451PMA Handle door plastic	1)Winterised
12	AB608061 Screw No8 x 3/4	2)
13	AFU1926L Nut captive	2)
14	73037 Fastener panel	8	
15	BNP4107PMAL Clip firtree	2	Winterised
	BNP4107PMAL Clip firtree	10)Waterproof
16	DA608044L Screw No8 x 1/2	13)
Fixings - grommet cover			
17	AA606044L Screw No6 x 1/2	2	
18	AK606011L Nut spire	2	
Fixings - wiper motor cover			
19	DA608044L Screw No8 x 1/2	2	
20	AK608141L Nut spire	2	



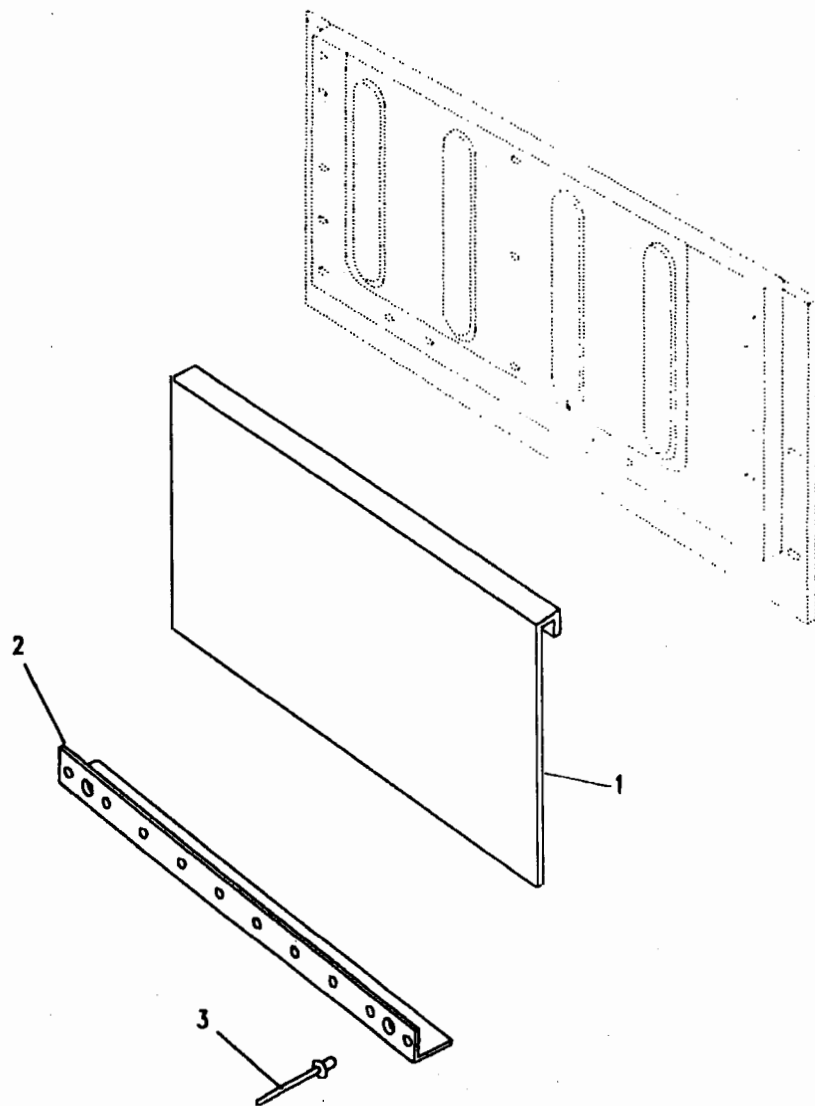
Model DEFENDER XD ALL VARIANTS
Pag YDPXEG2A

TRIM - TAILGATE CLADDING - WATERPROOF

III. Part No. Description Qty Remarks

Tailgate cladding & fixings - waterproof vehicles

1	DGP101060	Cover tailgate	1
2	EAN101540	Finisher	1
3	RU612373L	Rivet	18

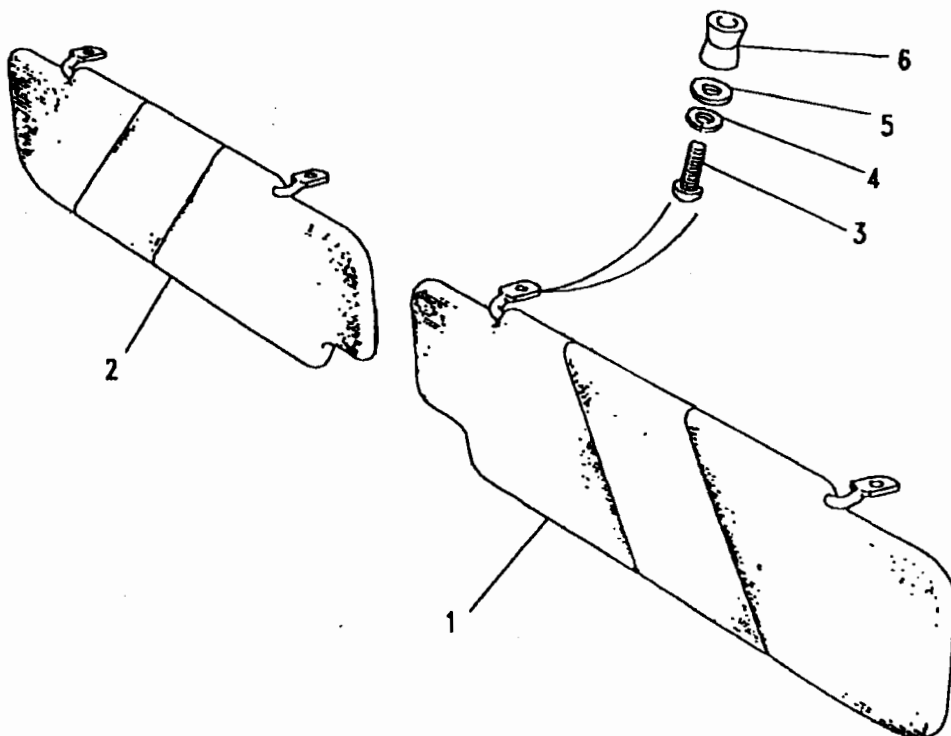


Model DEFENDER XD ALL VARIANTS

Page YDPXKC1A

TRIM - SUNVISORS

III. Part No.	Description	Qty	Remarks
1	MXC1394LUH	1	Sunvisor RH
2	MXC1395LUH	1	Sunvisor LH
Fixings - sunvisors			
3	AB614061L	4	Screw
4	WL106001L	4	Washer spring
5	WA106041L	4	Washer plain
6	302532	4	Nut spire



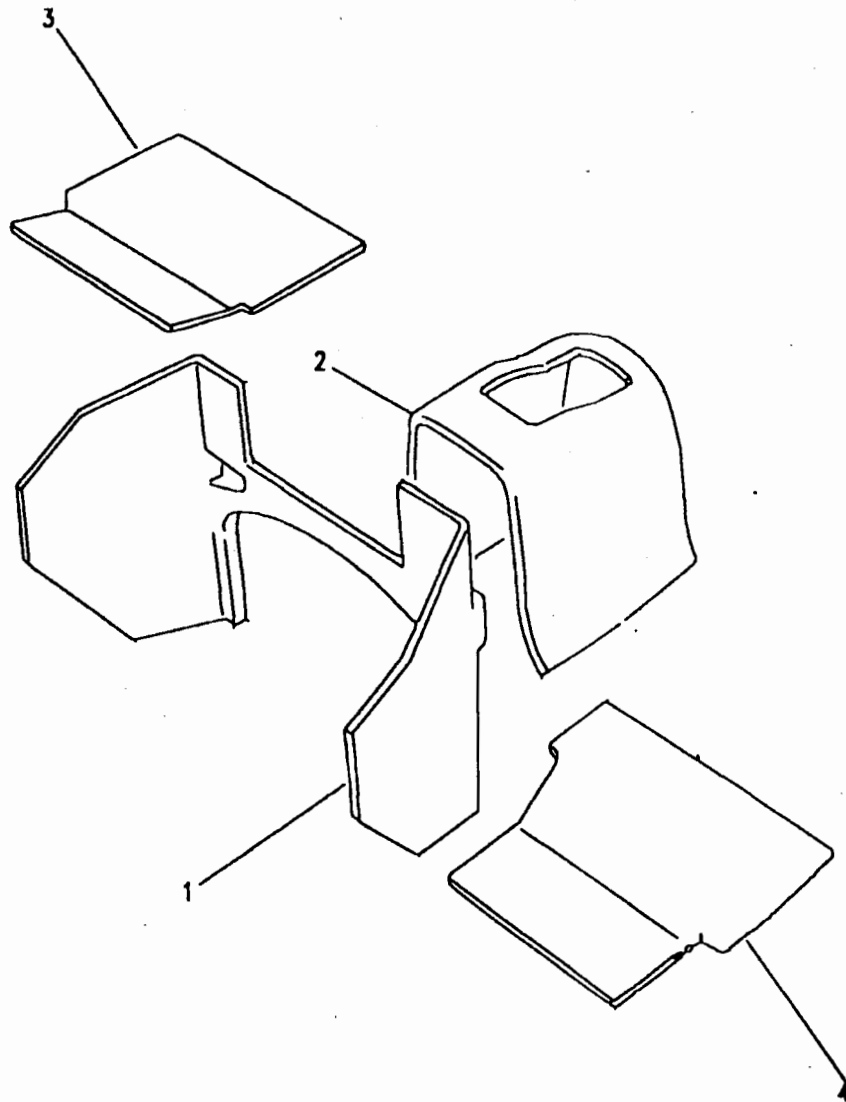


Model DEFENDER XD ALL VARIANTS

Page YDPXMA1B

TRIM - INSULATION

III. Part No.	Description	Qty	Remarks
Dash and front floor trim - standard vehicles			
1 BTR360	Insulation dash centre	1	
2 BTR9320	Cover tunnel rubber	1	
3 BTR7898	Cover front floor RH	1)Optional
4 BTR7897	Cover front floor LH	1)



Model DEFENDER XD ALL VARIANTS

Page YDPXMA2B

TRIM - INSULATION - WINTERISED

III. Part No. Description Qty Remarks

Body Insulation - front

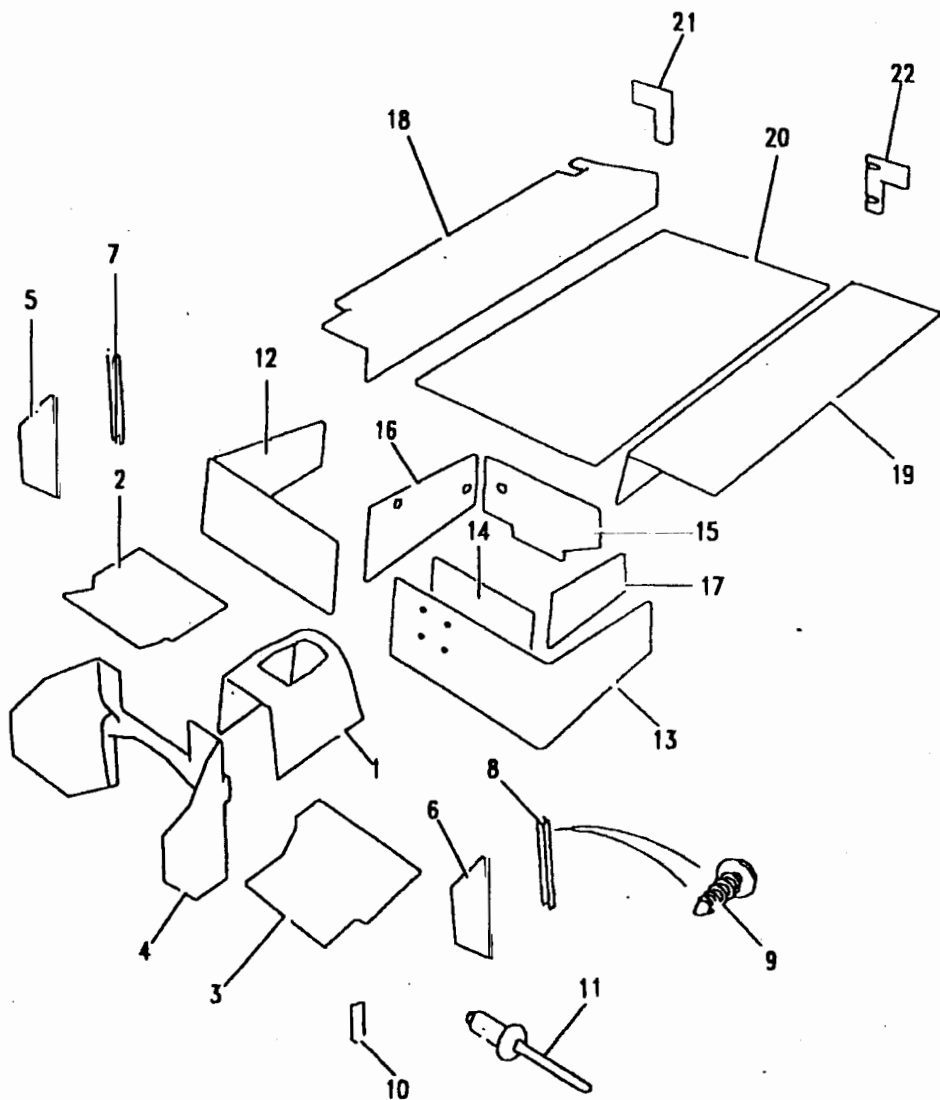
1	BTR9320	Cover tunnel rubber	1
2	EAH104780	Cover front floor RH	1
3	EAH104790	Cover front floor LH	1
4	ETD103270	Insulation dash centre	1
5	IPK100100	Insulation dash side RH	1
6	IPK100110	Insulation dash side LH	1
7	RRC3925	Retainer RH	1
8	RRC3925	Retainer LH	1
9	AB606041L	Screw No6 x 1/2	6
10	RRC3925	Tread plate	2
11	78248	Rivet	6
12	ETO100040	Insulation s/base RH	1
13	ETO100050	Insulation s/base LH	1

Body insulation - battery box

14	ETO100000	Insulation interior	1
15	ETO100010	Insulation interior	1
16	ETO100020	Insulation interior	1
17	ETO100030	Insulation interior	1

Body insulation - rear

18	END100800	Cover wheelarch rear RH	1	90
	END100780	Cover wheelarch rear RH	1	110
19	END100810	Cover wheelarch rear LH	1	90
	END100790	Cover wheelarch rear LH	1	110
20	RRC7010	Mat rear body floor	1	90
	RRC7011	Mat rear body floor	1	110
21	RRC7420PMA	Insulation rear qtr RH	1	
22	RRC7419PMA	Insulation rear qtr LH	1	





MASTER INDEX

	PAGES
INTRODUCTION PAGES	1 - 4
ALPHABETICAL INDEX	5 - 16
ENGINE	17 - 57
GEARBOX	58 - 74
TRANSFER BOX	75 - 90
AXLES AND SUSPENSION	91 - 129
STEERING	130 - 141
VEHICLE AND ENGINE CONTROLS	142 - 148
BRAKES	149 - 161
FUEL SYSTEM AND AIR CLEANER	162 - 179
EXHAUST SYSTEM	180 - 185
COOLING/HEATING	186 - 225
BODY ELECTRICAL	226 - 319
BODY AND CHASSIS	320 - 444
INTERIOR TRIM	445 - 459
SEATS	460 - 473
STOWAGE	474 - 482
ACCESSORIES - PAINTS	483 - 495
NUMERICAL INDEX	497 - 530

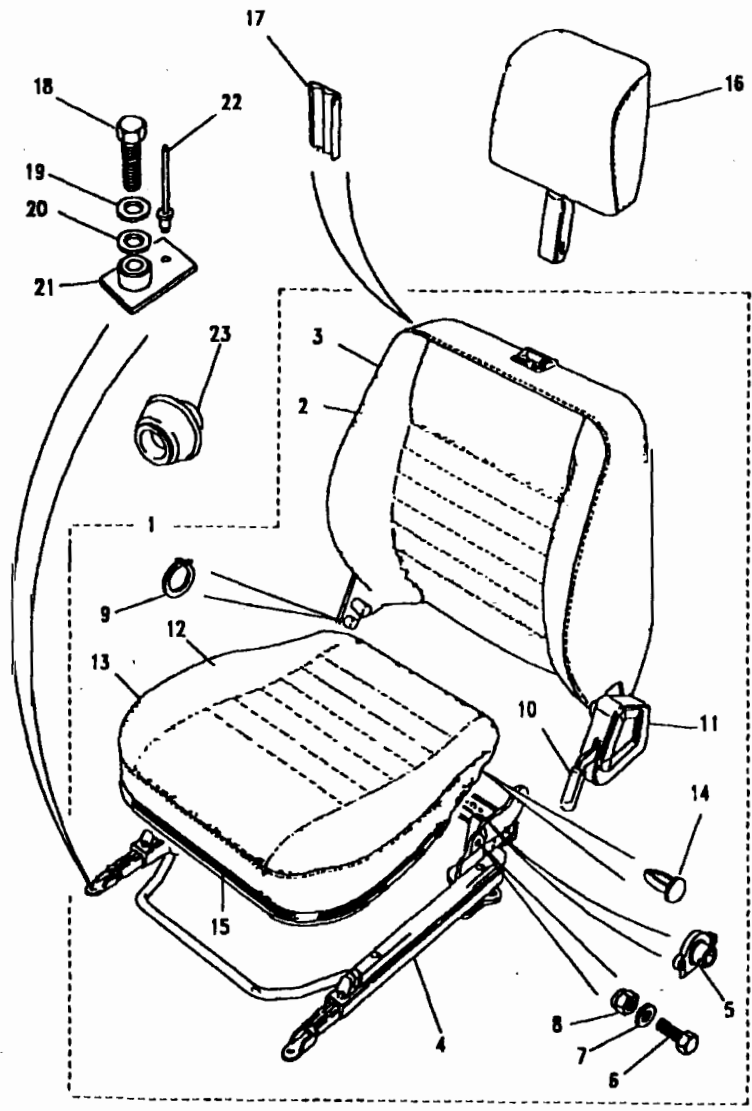
GROUP R

SEATS

SEATS

FRONT - FORWARD FACING	461 - 462
REAR - INWARD FACING - BENCH TYPE	463
REAR - INWARD FACING - RADIO OPERATOR	464
REAR - INWARD FACING - AMBULANCE	465
REAR - REAR FACING - AMBULANCE	466
HARNESS - FRONT SEATS	467
HARNESS - REAR SEATS	468
HARNESS - REAR SEATS - AMBULANCE	469
HARNESS - ANCHORAGE - FRONT SEATS	470 - 471
HARNESS - ANCHORAGE - FRONT SEATS - AMBULANCE	472
HARNESS - ANCHORAGE - REAR SEATS	473



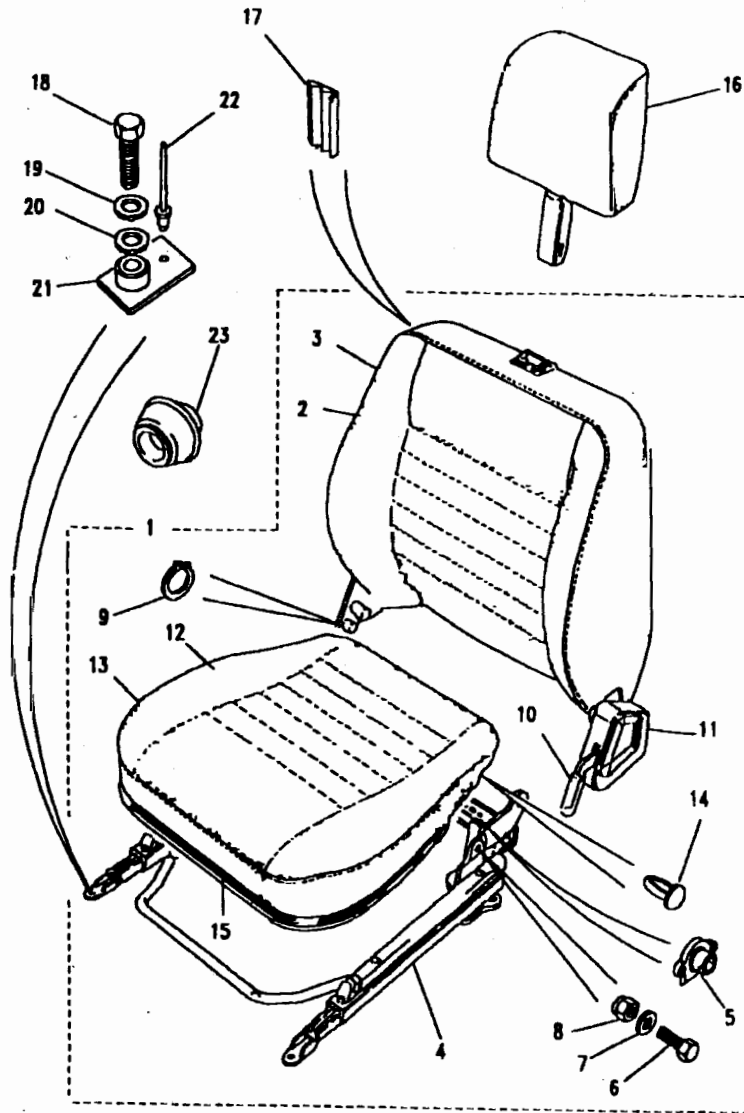


Model DEFENDER XD ALL VARIANTS
Page YDRXE1A

SEATS - FRONT - FORWARD FACING

III. Part No.	Description	Qty	Remarks
Seat assembly			
1	BTR8140RPI	1	Seat assembly RH
	HAD132740RPI	1	Seat assembly RH
	BTR8141RPI	1	Seat assembly LH
	HAD132750RPI	1	Seat assembly LH
Seat components			
2	BTR1762RPI	1	Squab assembly RH
	AWR5698RPI	1	Squab assembly RH
	BTR1763RPI	1	Squab assembly LH
	AWR5699RPI	1	Squab assembly LH
3	AWR5702RPI	1	Cover squab
4	STC3606	2	Subframe & slide RH
	HHD102280	1	Subframe & slide RH
	STC3607	1	Subframe & slide LH
	HHD102290	1	Subframe & slide LH
5	MXC5212	2	Adaptor cushion pin
6	SH108161L	2	Screw M8 x 16
	SH108251L	2	Screw M8 x 25
7	WA108051L	4	Washer plain M8
8	NY108041L	4	Nut nyloc M8
9	CR120205	2	Circlip
10	MUC8754	1	Handle seat recline
11	MWC7636	1	Cover mechanism RH
	MWC7635	1	Cover mechanism LH
12	BTR8139RPI	2	Cushion front seat
	AWR5700RPI	2	Cushion front seat
13	AWR5701RPI	2	Cover cushion
14	MTC9962	8	Trim nail
15	MTC9967	2	Trim locking
16	AWR5708RPI	2	Head restraint vinyl
17	MWC6106PCB	4	Rubbing strip



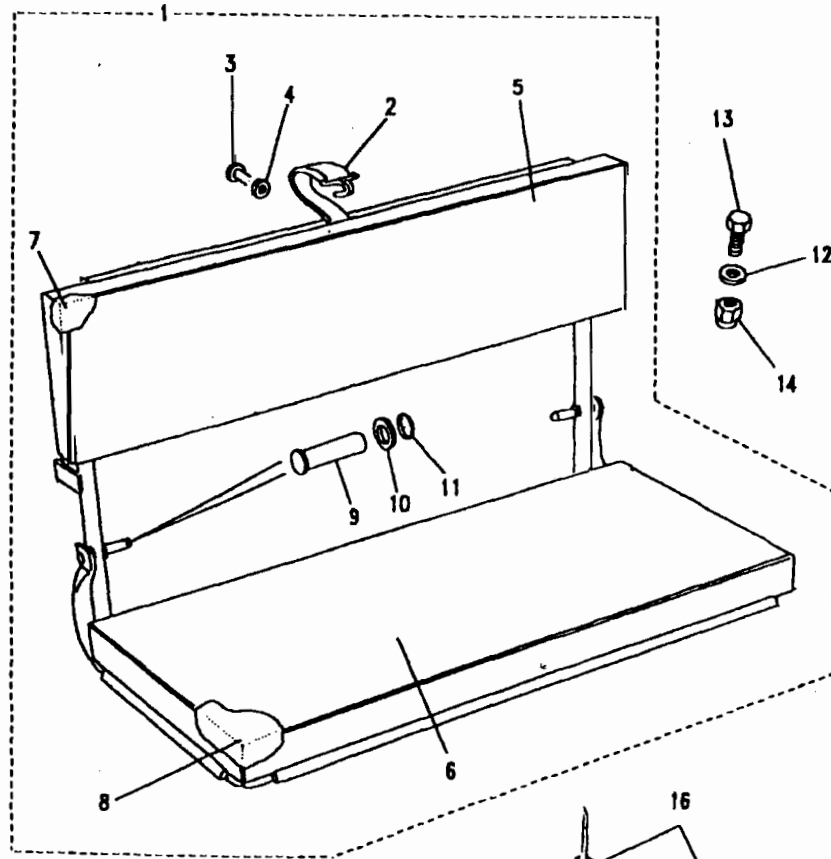


Model DEFENDER XD ALL VARIANTS
Page YDRXE1A

SEATS - FRONT - FORWARD FACING

Ill. Part No.	Description	Qty	Remarks
Fixings - seats to seat base			
18	FS108251L Screw M8 x 25	8	Up to WA158577
	FS108305L Screw M8 x 30	8	From WA158578
19	WA108051L Washer plain M8	8	
20	4075L Spacer	8	Up to WA158577
	AYF10001L Spacer	8	From WA158578
21	AWR4731 Nutsert M8	8	
	MUC7947 Bush and plate	8)Note(1)
22	RU608313L Rivet	8)
Blanking plugs for redundant fixing holes			
23	338013 Plug 9.5mm	4	

Note(1) Alternative fixings for repair.



Model DEFENDER XD ALL VARIANTS

Page YDRXKA1A

SEATS - REAR - INWARD FACING - BENCH TYPE

III. Part No.	Description	Qty	Remarks
Bench seats rear - two seat			
1	RRC8572LOY HLD103500LOY	A/R	Note(1) Waterproof
2	RRC8463	1	
3	RU612183	1)Note(2)
4	AFU1256	1)
5	RRC7896LOY	1	
6	RRC7897LOY	1	
7	RRC7898	1	
8	HVA101600	1	Waterproof
8	RRC7899	1	
9	HVB100810	1	Waterproof
9	RRC8481	2	
10	4075L	2	
11	AN108021	2	

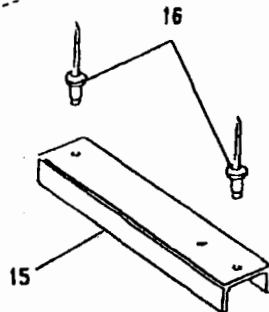
Fixings - seats to anchorages

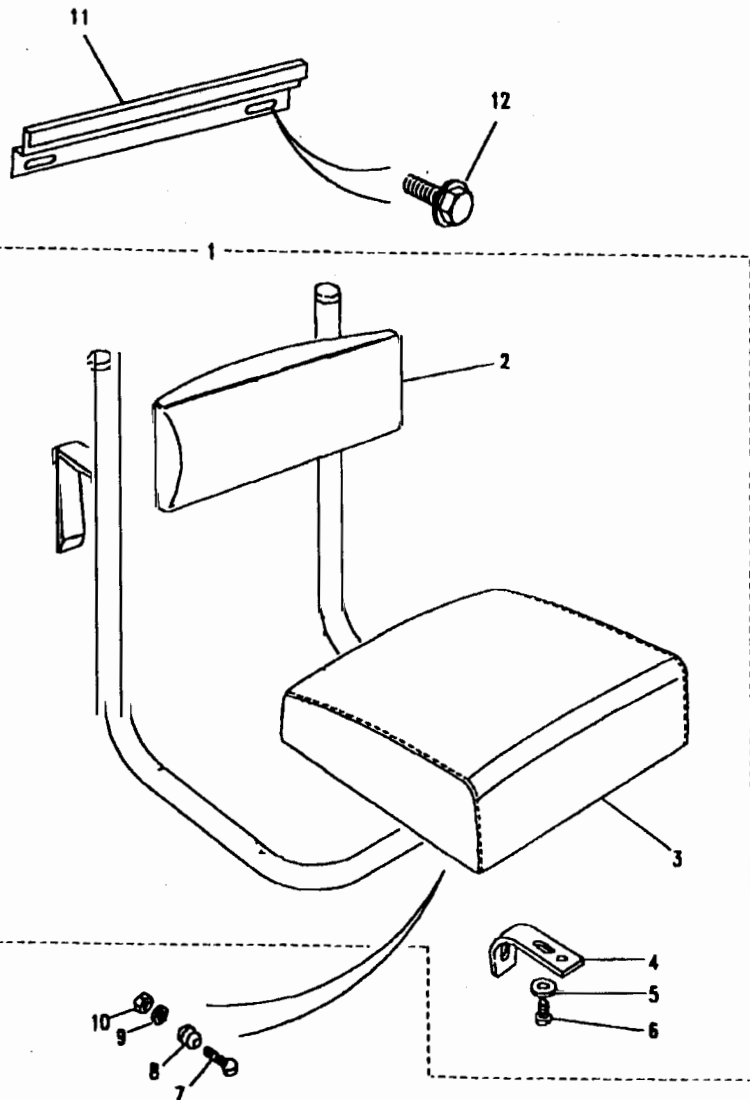
12	AFU2651	4	
13	SH106165	4	
14	NY106041	2	

Anchorage & fixings

15	ALR9134	A/R	Note(3)
16	78248	2	

- Note(1) 90 can carry 2 seats, 110 can carry 4 seats.
 Note(2) Replace large head rivet with standard rivet and washer.
 Note(3) Two required for each bench seat.

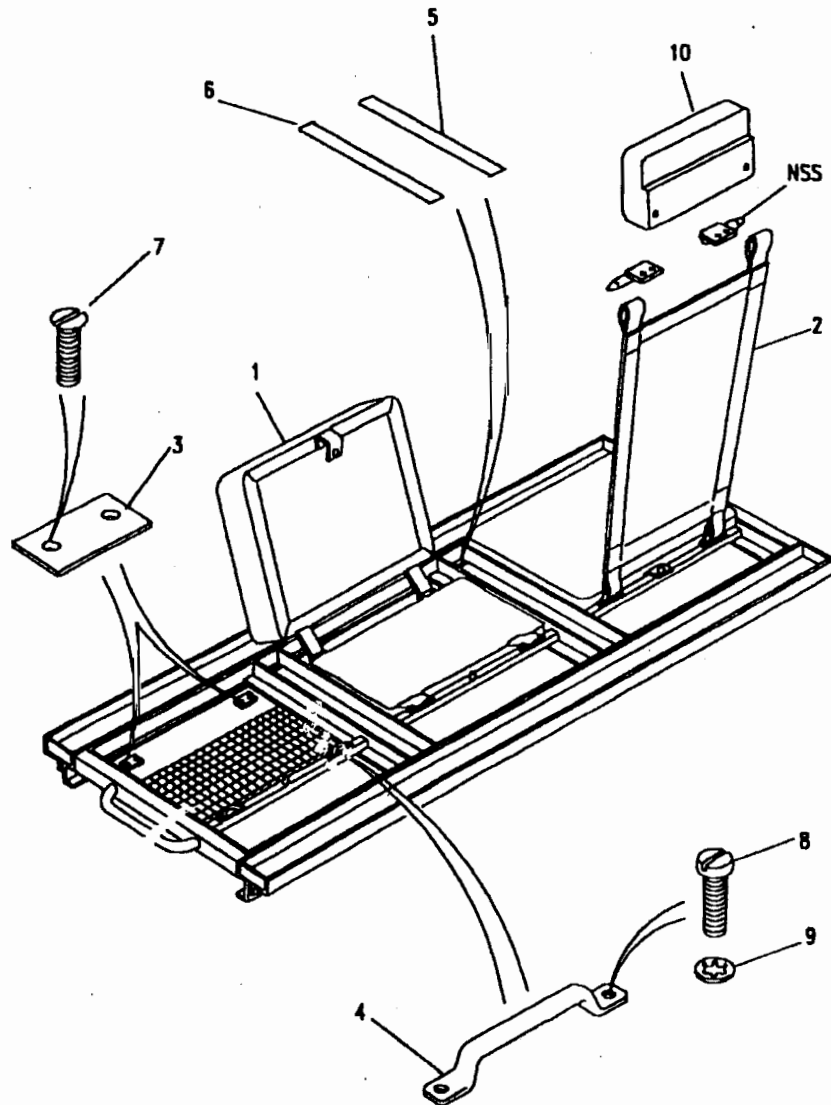




Model DEFENDER XD ALL VARIANTS
Page YDRXKA2A

SEATS - REAR - INWARD FACING - RADIO OPERATOR

III. Part No.	Description	Qty	Remarks
Seat assemblies			
1	RRC5513LOY	2	Seat assembly
	HLD103510LOY	2	Seat assembly
2	RRC5514LOY	2	Backrest
	HLW100000LOY	2	Backrest
3	RRC5515LOY	2	Cushion
	HLF105450LOY	2	Cushion
4	MRC1813	2	Strap retaining
5	RTC615	2	Washer plain
6	SE105251	2	Screw M5 x 25
Fixings - radio operator's seats			
7	SE105251	2	Screw M5 x 25
8	MXC4657	2	Stud
9	WC105001	2	Washer plain
10	NY105041L	2	Nut M5 nyloc
Seat support rails			
11	RRC8665	2	Rail seat support 90
	RRC8664	2	Rail seat support 110
12	FS106167L	4	Screw flange M6 x 16



Model DEFENDER XD ALL VARIANTS
Page YDRXKA4A

SEATS - REAR - INWARD FACING - AMBULANCE

III. Part No.	Description	Qty	Remarks
Inward facing seats - patient			
1 STC3652	Seat base assembly	6	
2 STC3654	Lumber support	6	Note(1)
IPF100030	Lumber support	6	Note(2)
3 STC3655	Plate retaining	12	
4 STC3656	Staple	12	
5 STC3660	Batten seatbase packer	12	
6 STC3661	Tape adhesive double side	A/R	
7 STC3659	Screw csk hd M4 x 16	24	
8 STC2412	Screw pan hd M5 x 20	24	
9 STC2693	Washer shakeproof M5	24	
10 STC2559	Backrest assembly	6	

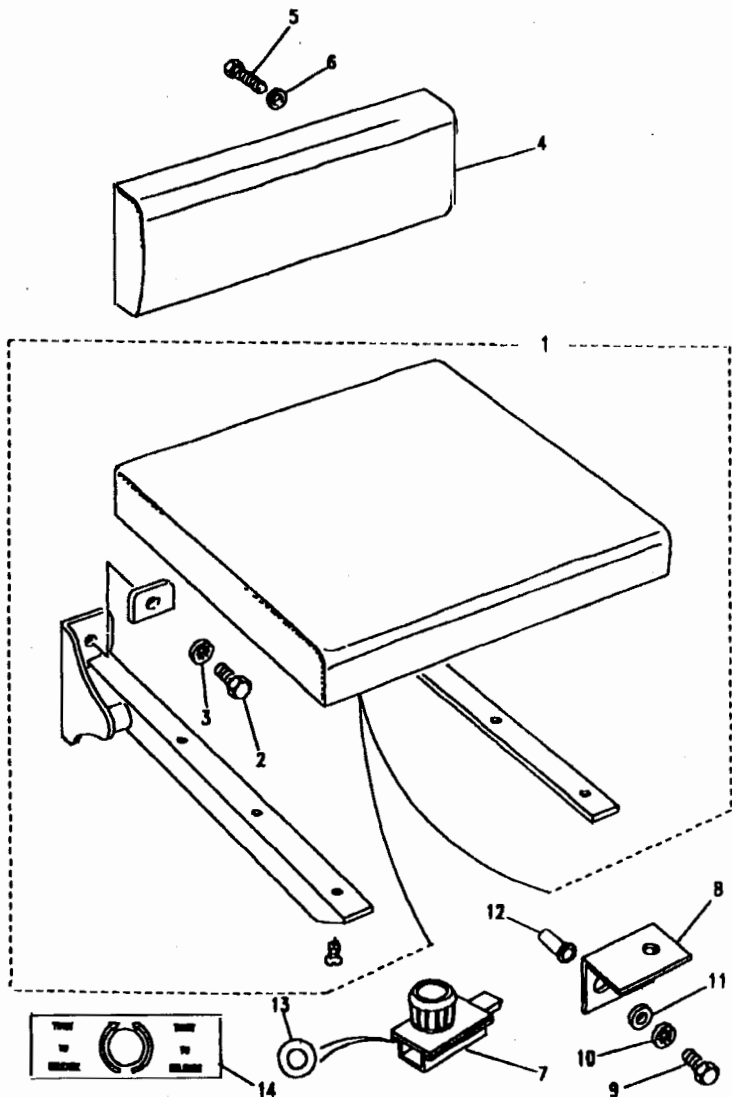
Note(1)
 Note(2)

Up to body number 320 - without elastic straps.
 From body number 321 - with elasticated straps.

Model DEFENDER XD ALL VARIANTS
Page YDRXKA5A

SEATS - REAR - REAR FACING - AMBULANCE

III. Part No.	Description	Qty	Remarks
Tip-up seat assembly - attendant			
1	STC3568	1	Seat assembly tip-up
2	SH110251L	6	Screw M10 x 25
3	STC2698	6	Washer shakeproof M10
4	STC2529	1	Backrest assembly
5	STC2723	2	Bolt M8 x 45
6	STC2724	2	Washer M8
7	STC3922	1	Catch
8	HWU100060	1	Bracket mounting
9	FS106207L	2	Screw M6 x 20
10	STC2424	2	Washer shakeproof M6
11	WC106041L	2	Washer plain M6
12	IZN100000	2	Nutsert M6
13	IPP100110	1	Disc luminous
14	IPP100100	1	Label seat catch

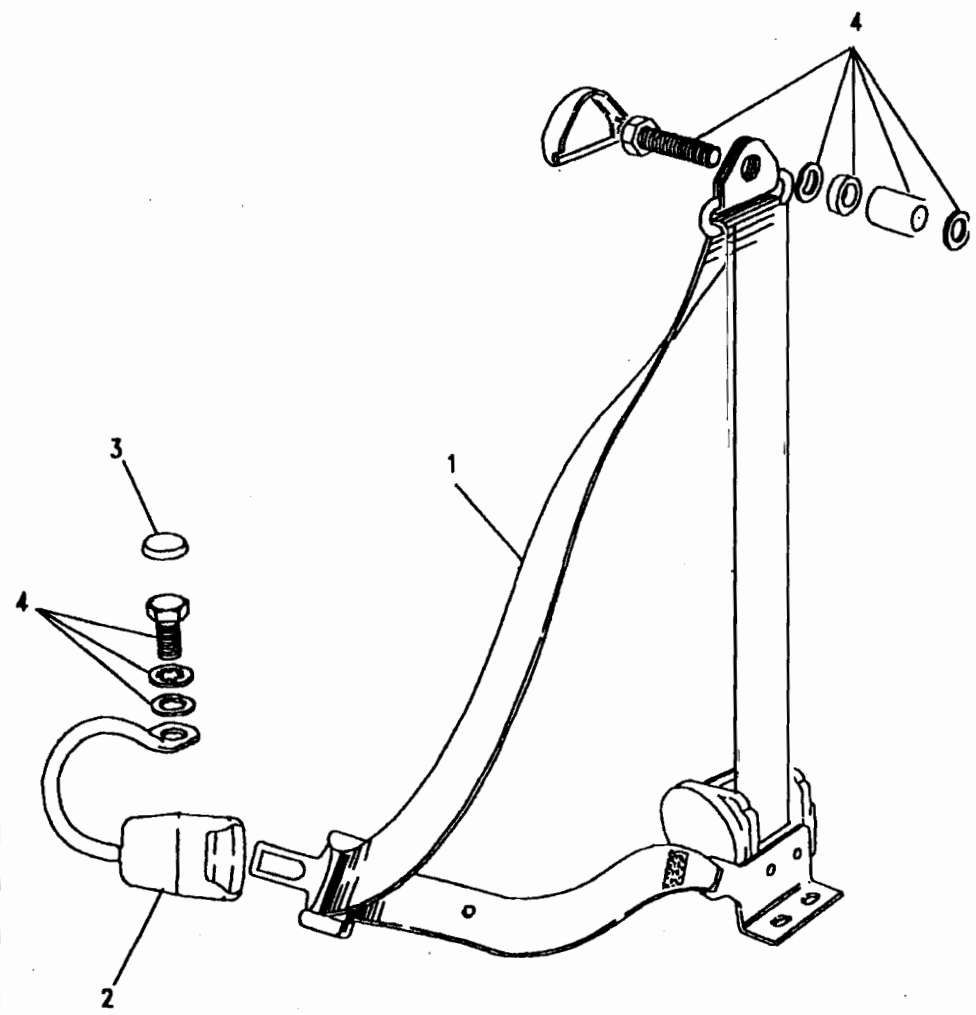


Model DEFENDER XD ALL VARIANTS
 Page YDRXPA1A

SEATS - HARNESS - FRONT SEATS

III. Part No.	Description	Qty	Remarks
1 BTR6562	Reel assy seat belt RH	1	
BTR6561	Reel assy seat belt LH	1	
2 BTR4372	Buckle assy RH	1	
BTR4373	Buckle assy LH	1	
3 BTR1884PMA	Cap bolt	2	
4 STC1180	Kit fixings seat belt	1	Note(1)
STC4445	Kit fixings seat belt	1	Note(2)

Note(1) General spares assortment only, fixings supplied with seat belts.
 Note(2) Wading service kit for waterproof vehicles.

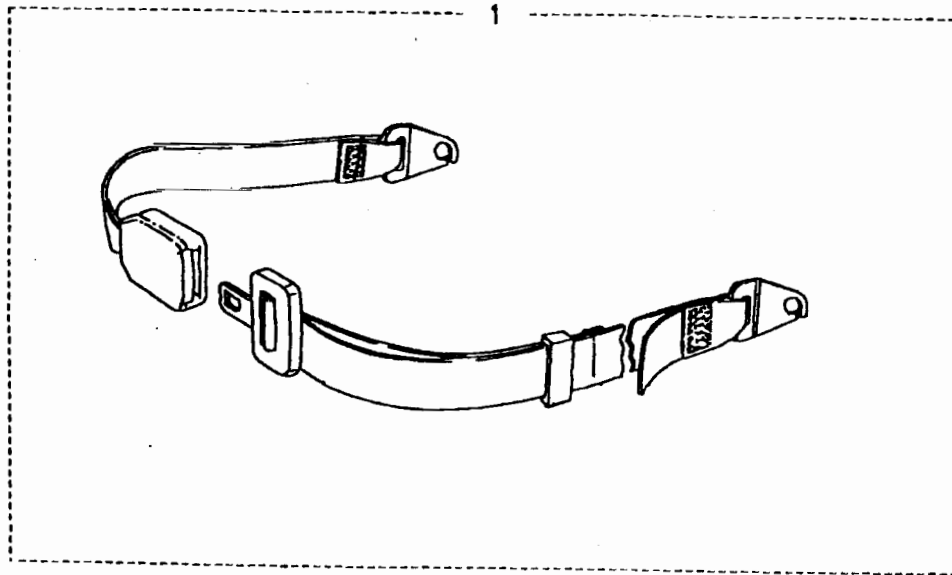


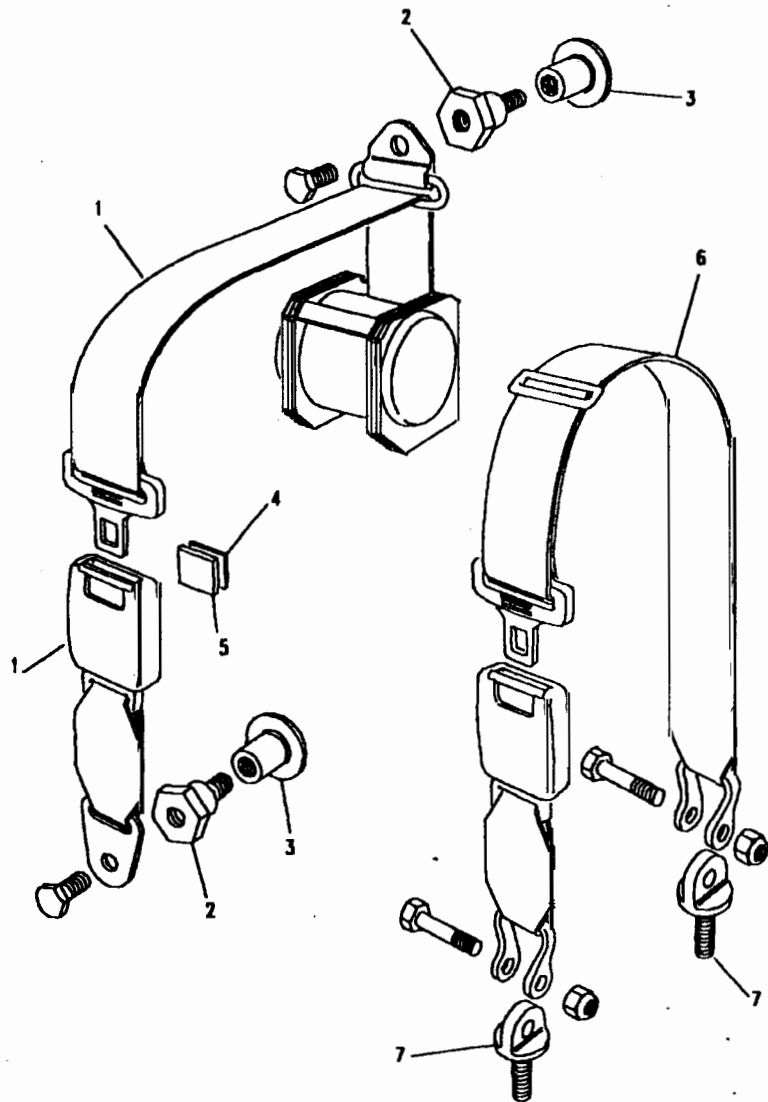


Model DEFENDER XD ALL VARIANTS
Page YDRXPE1A

SEATS - HARNESS - REAR SEATS

III. Part No.	Description	Qty	Remarks
1 MXC5497	Seat belt lap strap	4	





Model DEFENDER XD ALL VARIANTS
Page YDRXPE2A

SEATS - HARNESS - REAR SEATS - AMBULANCE

III. Part No.	Description	Qty	Remarks
Safety harness - patient - inward facing			
1	STC2538 Seat belt assembly	6	
2	STC2745 Bolt attachment	12	
3	STC2746 Boss attachment	12	
4	STC2488 Tape velcro male	6	
5	STC3571 Tape velcro female	6	
Safety harness - attendant - rear facing			
6	STC2537 Seat belt lap strap	1	
7	STC2536 Bolt attachment	2	

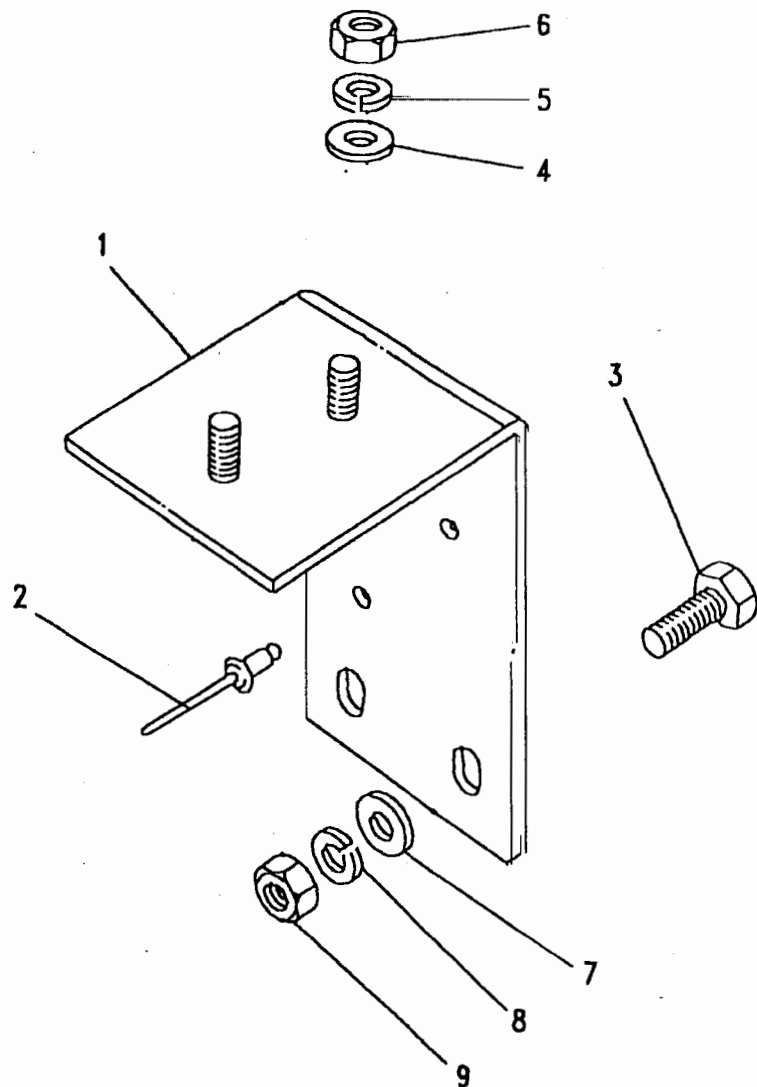


Model DEFENDER XD ALL VARIANTS

Page YDRXRA2A

SEATS - HARNESS - ANCHORAGE - FRONT SEATS

III. Part No.	Description	Qty	Remarks
Reel mountings			
1	MRC8524	2	Bracket mounting
2	BTR8535	4	Rivet
3	FS108257L	4	Screw M8 x 25
4	WA108051L	4	Washer plain M8
5	WL108001L	4	Washer spring M8
6	FN108047L	4	Nut M8
7	WC108051L	4	Washer plain M8
8	WL108001L	4	Washer spring M8
9	FN108047L	4	Nut M8

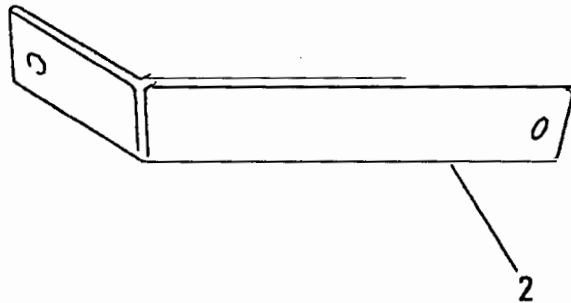
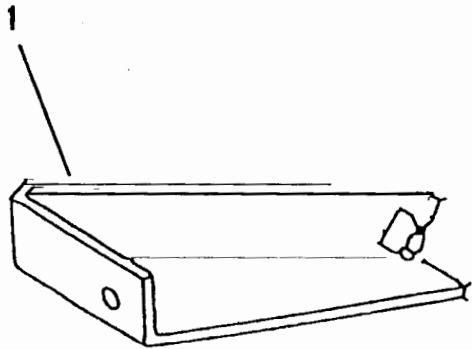


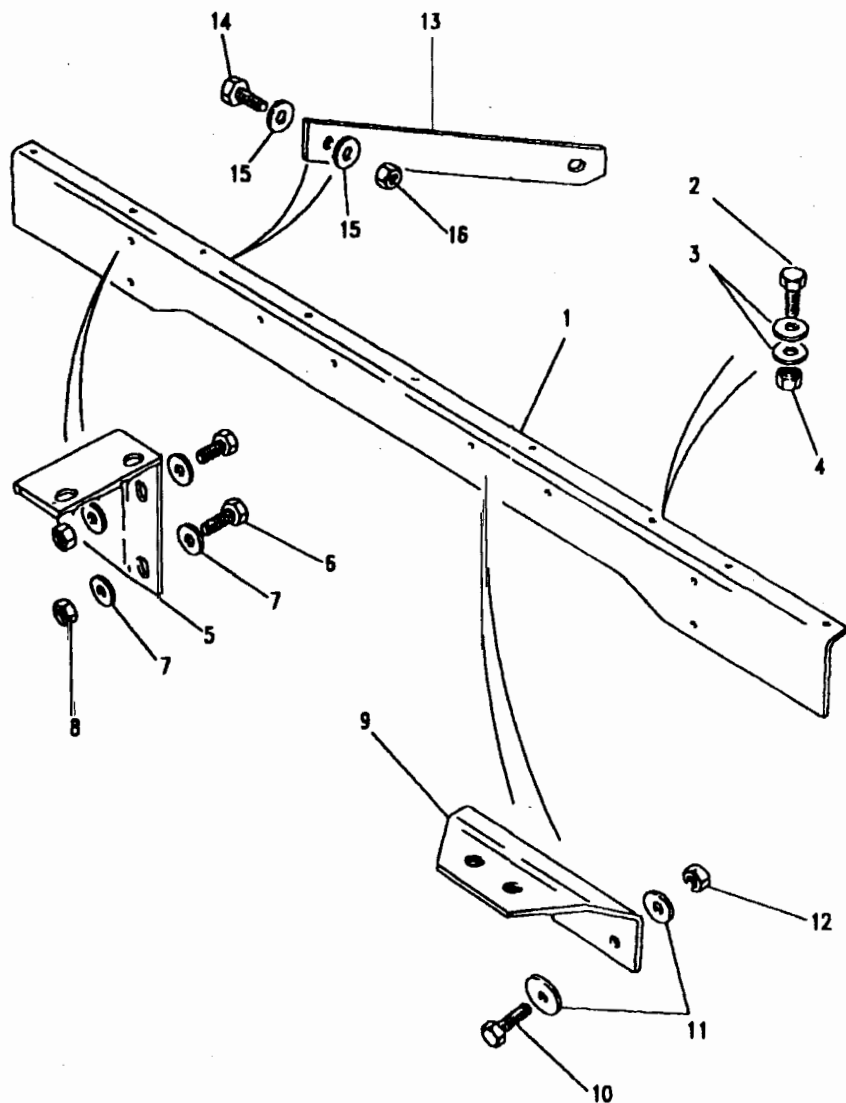


Model DEFENDER XD ALL VARIANTS
Page YDRXRA2B

SEATS - HARNESS - ANCHORAGE - FRONT SEATS

III. Part No.	Description	Qty	Remarks
Tie bars - 90			
1 ASR2404	Tie bar assy RH	1	
2 ASR2405	Tie bar assy LH	1	
Tie bars - 110			
1 ALR9814	Tie bar assy RH	1	
2 ALR9815	Tie bar assy LH	1	
Fixings - tie bar			
SH108251	Screw M8 x 25	2	
WA108051L	Washer plain	2	





Model DEFENDER XD ALL VARIANTS
Page YDRXRA8A

SEATS - HARNESS - ANCHORAGE - FRONT SEATS - AMBULANCE

III. Part No.	Description	Qty	Remarks
1	MTC3042	1	Reinforcing angle
2	FS108257L	9	Screw M8 x 25
3	WC108051L	18	Washer plain M8
4	NY108041L	9	Nut nyloc M8
5	MTC3051	1	Bracket RH
	MTC3052	1	Bracket LH
6	FS108257L	4	Screw M8 x 25
7	WC108051L	8	Washer plain M8
8	NY108041L	4	Nut nyloc M8
9	395252	2	Bracket mounting
10	FS108257L	4	Screw M8 x 25
11	WA108051L	8	Washer plain M8
12	NY108041L	4	Nut nyloc M8
13	MTC3032	2	Tie bar
14	FS108257L	4	Screw M8 x 25
15	WC108051L	8	Washer plain M8
16	NY108041L	4	Nut nyloc M8

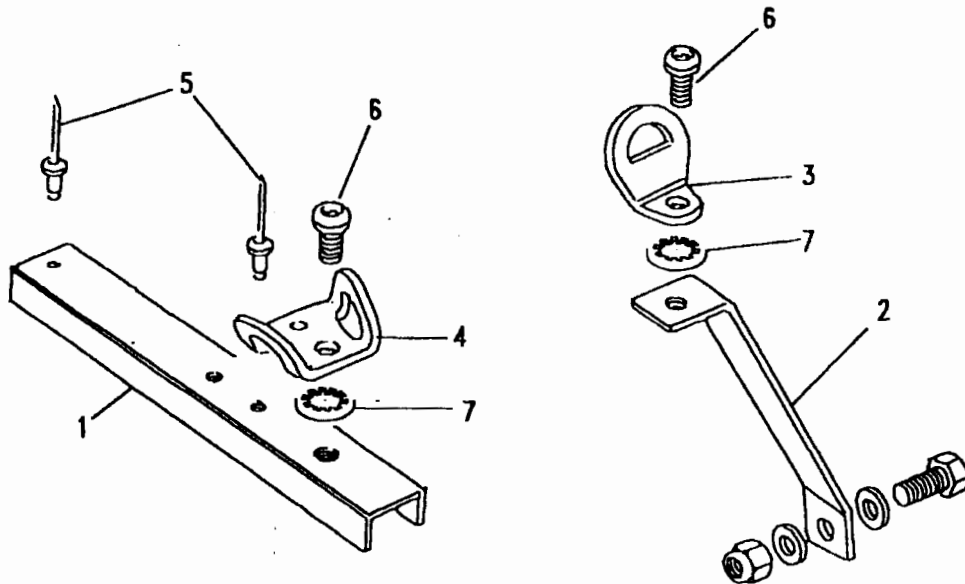
Model DEFENDER XD ALL VARIANTS
 Page YDRXRE1A

SEATS - HARNESS - ANCHORAGE - REAR SEATS

Ill. Part No.	Description	Qty	Remarks
1 ALR6722	Anchorage assy s/belt	8	
2 ALR9198	Tie bar assy RH	1	
ALR9199	Tie bar assy LH	1	
3 RRC8187	Bracket assy single	6	
4 MXC7264	Bracket assy double	6	
5 78248	Rivet	16	

Bolt - seat belt bracket

6 RRC8188	Bolt torx 7/16 UNF	4	
7 WF600071L	Washer shakeproof 7/16	4	





MASTER INDEX

	PAGES
INTRODUCTION PAGES	1 - 4
ALPHABETICAL INDEX	5 - 16
ENGINE	17 - 57
GEARBOX	58 - 74
TRANSFER BOX	75 - 90
AXLES AND SUSPENSION	91 - 129
STEERING	130 - 141
VEHICLE AND ENGINE CONTROLS	142 - 148
BRAKES	149 - 161
FUEL SYSTEM AND AIR CLEANER	162 - 179
EXHAUST SYSTEM	180 - 185
COOLING/HEATING	186 - 225
BODY ELECTRICAL	226 - 319
BODY AND CHASSIS	320 - 444
INTERIOR TRIM	445 - 459
SEATS	460 - 473
STOWAGE	474 - 482
ACCESSORIES - PAINTS	483 - 495
NUMERICAL INDEX	497 - 530

GROUP S

STOWAGE

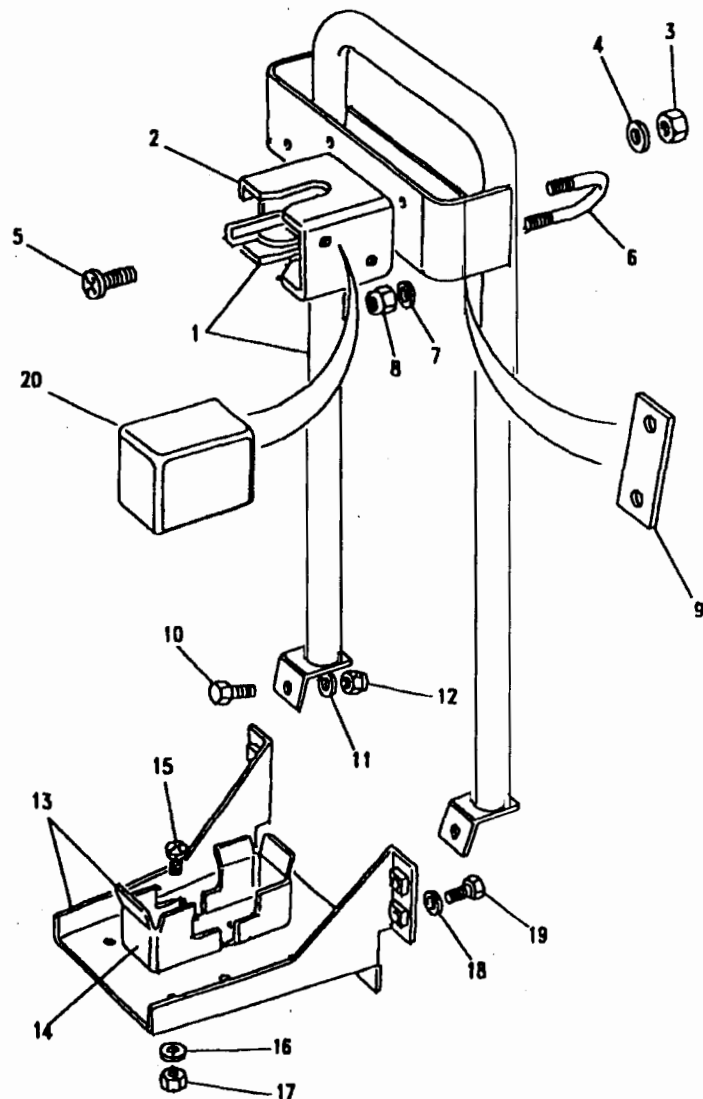
STOWAGE

SMALL ARMS CLIPS	475
SMALL ARMS CLIPS - AMBULANCE	476
CAM NET STOWAGE - AMBULANCE	477
TOOL STOWAGE - BONNET & WING MOUNTED	478
TOOL STOWAGE - BULKHEAD	479
TOOL STOWAGE - BULKHEAD - AMBULANCE	480
TOOLS	481
TOOLS - AMBULANCE	482



Model DEFENDER XD ALL VARIANTS
 Page YDSXAA2A

STOWAGE - SMALL ARMS CLIPS



Ill. Part No.	Description	Qty	Remarks
1	RRC8586	1	Rifle barrel
2	RRC5813	2	Clip rifle barrel
3	NY108041L	4)Fixings -
4	WA108051L	4)clip to bracket
5	SE108201	4)
6	RRC8421	1)Fixings -
7	WA108051L	2)bracket to bar
8	NY108041L	2)
9	RRC8707	2)
10	SH108201	2)Fixings - bracket
11	WA108051L	2)to bulkhead
12	NY108041L	2)
13	RRC8585	1	Rifle butt
14	RRC5814	2	Clip rifle butt
15	SE106161	4)Fixings -
16	WA106041L	4)clip to bracket
17	NY106047L	4)
18	WA108051L	6)Fixings - bracket
19	SH108201	6)to bulkhead
20	RRC8652	2	Pad head protection

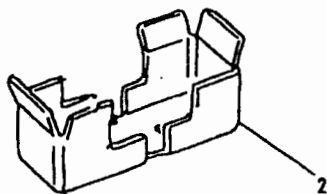
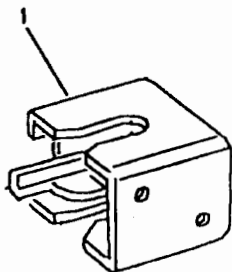


Model DEFENDER XD ALL VARIANTS

Page YDSXAA2B

STOWAGE - SMALL ARMS CLIPS - AMBULANCE

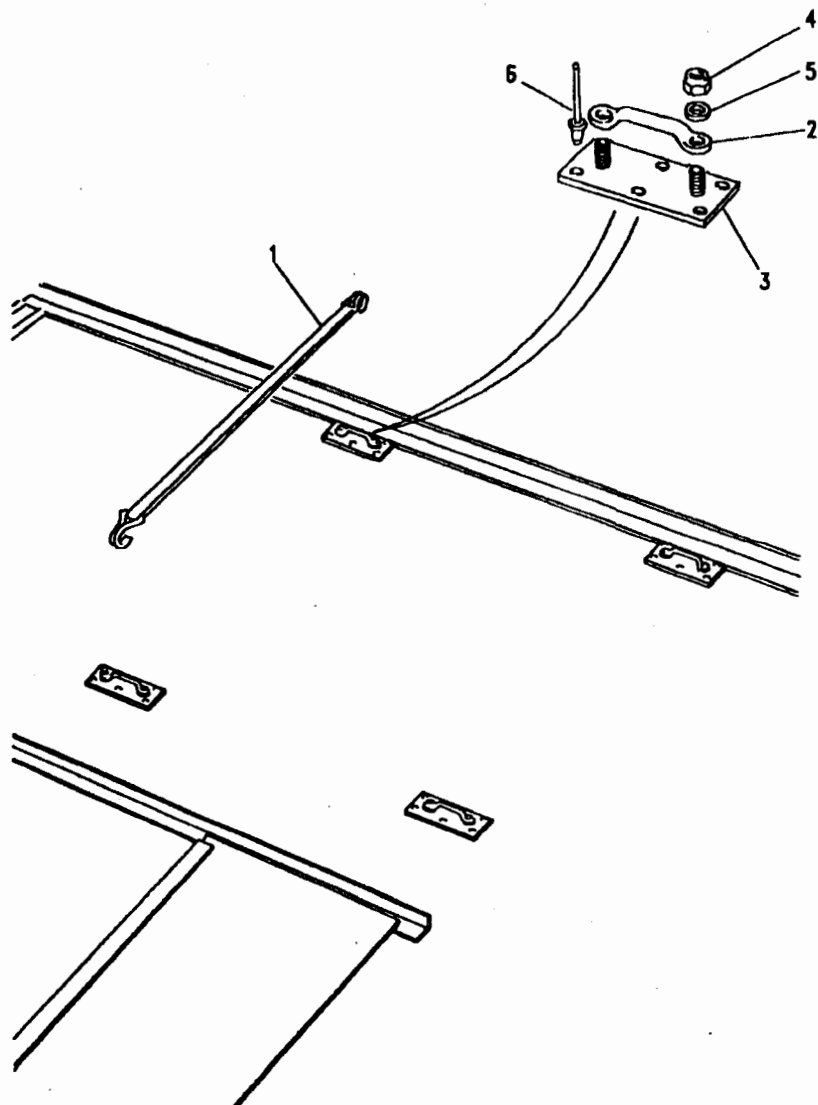
III. Part No.	Description	Qty	Remarks
1 RRC5813	Bracket rifle barrel	3	
2 RRC5814	Bracket rifle butt	3	

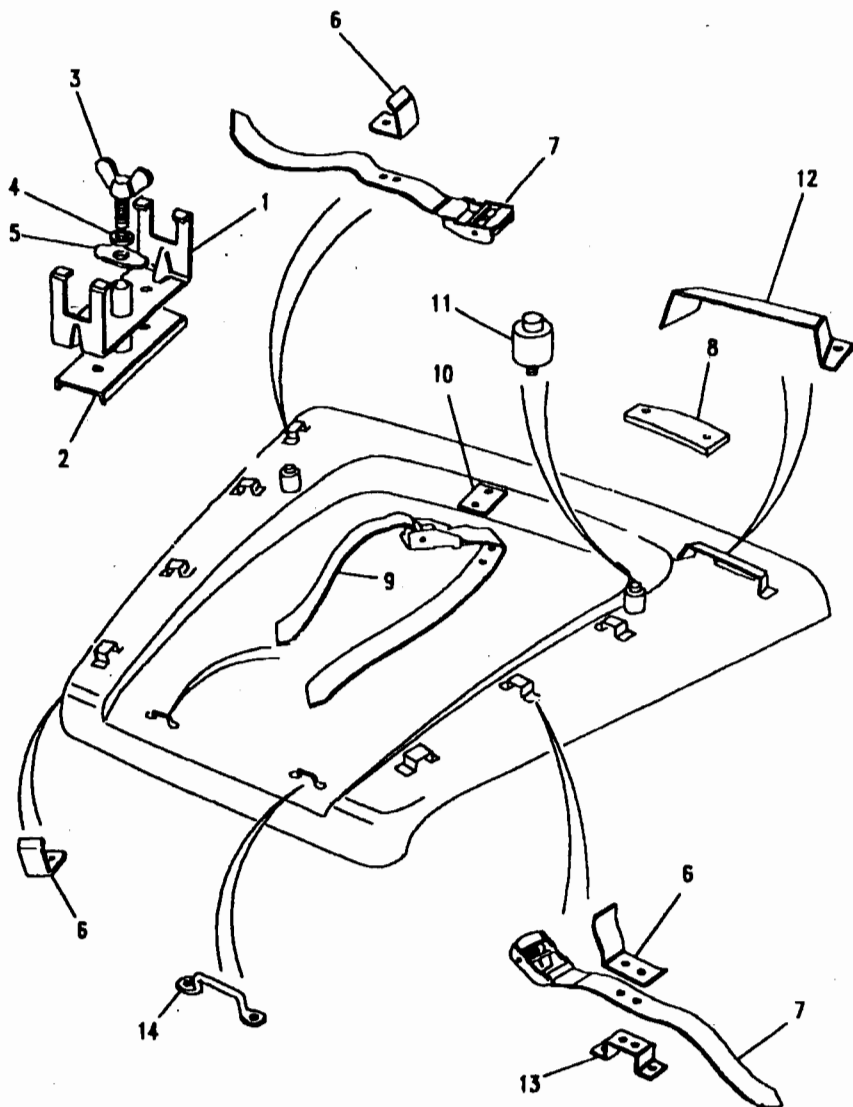


Model DEFENDER XD ALL VARIANTS
Page YDSXAA2D

STOWAGE - CAM NET STOWAGE - AMBULANCE

III. Part No.	Description	Qty	Remarks
1 STC2475	Strap load restraint	2	
2 STC2476	Staple	4	
3 STC2750	Plate staple	4	
4 NY105041L	Nut nyloc M5	8	
5 WA105001L	Washer plain M5	8	
6 STC2751	Rivet csk hd 3/16	24	





Model DEFENDER XD ALL VARIANTS
Page YDSXAA1A

STOWAGE - TOOL STOWAGE - BONNET & WING MOUNTED

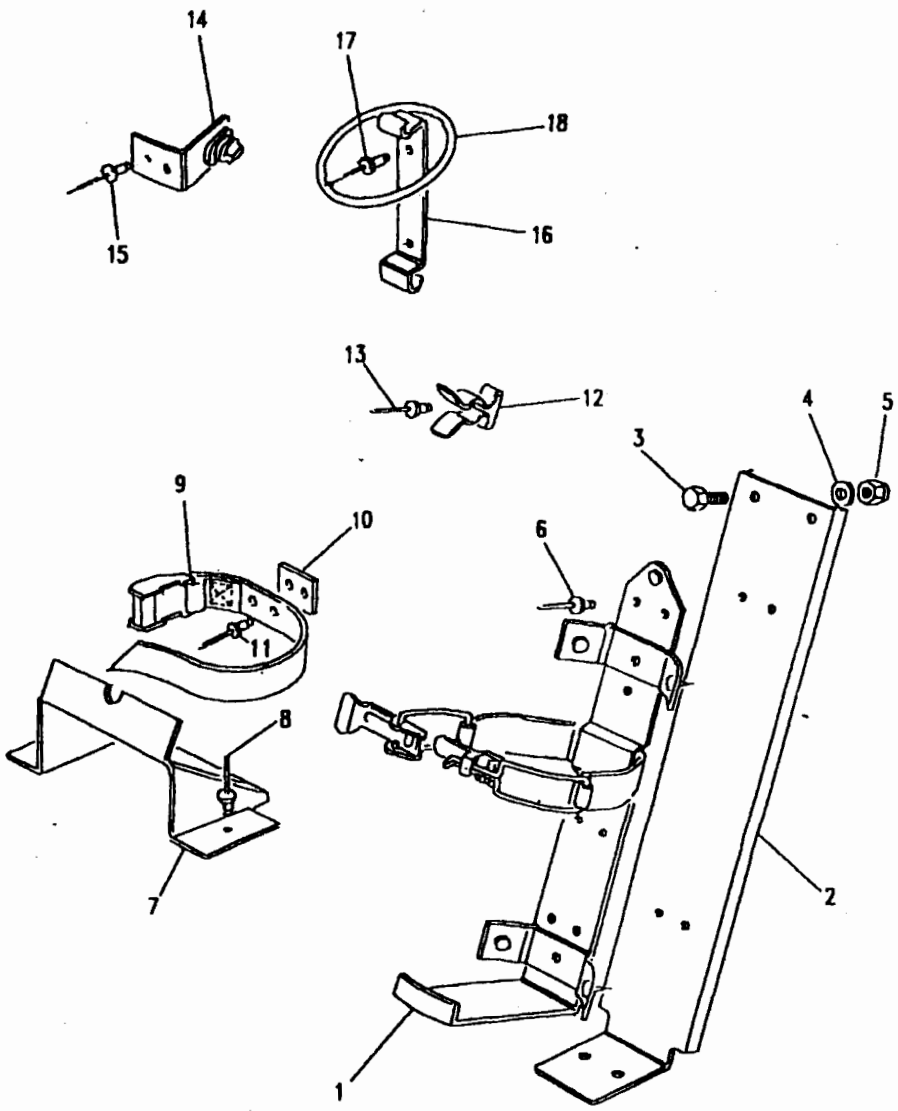
Ill. Part No.	Description	Qty	Remarks
Wing mounted tools - note(1)			
1	RRC8413	1	Bracket pick hd support
2	RRC8740	1	Bracket retaining
3	RRC8742	1	Bolt retaining pick head
4	WL600081	1	Washer spring
5	336351	1	Plate retaining
	SH108205	2	Screw M8 x 20
	WA108055	2	Washer plain
)Fixings -)bracket to wing
Bonnet mounted tools			
6	RRC8658	7	Bracket tool support
	RRC8610	14	Rivet bracket fixing
7	RRC7945	4	Strap tool stowage
8	RRC8385	1	Pad shovel support
	WC105001L	2	Washer plain M5
	RRC4583	2	Rivet
9	RRC8392	2	Strap rope stowage
10	RRC8657	2	Plate strap
	RRC4583	4	Rivet plate fixing
11	MRC4619	2	Buffer screen
	WB108051	2	Washer plain
	NY108041L	2	Nut nyloc M8
12	RRC8376	1	Bracket shovel support
	WC702101	2	Washer plain
	78248	2	Rivet
13	RRC8662	7	Bracket tool support bkt
	WC702101	14	Washer plain
	78248	14	Rivet
14	RRC3966	2	Staple strap
	RU612373L	4	Rivet
)Fixings -)bracket to bonnet

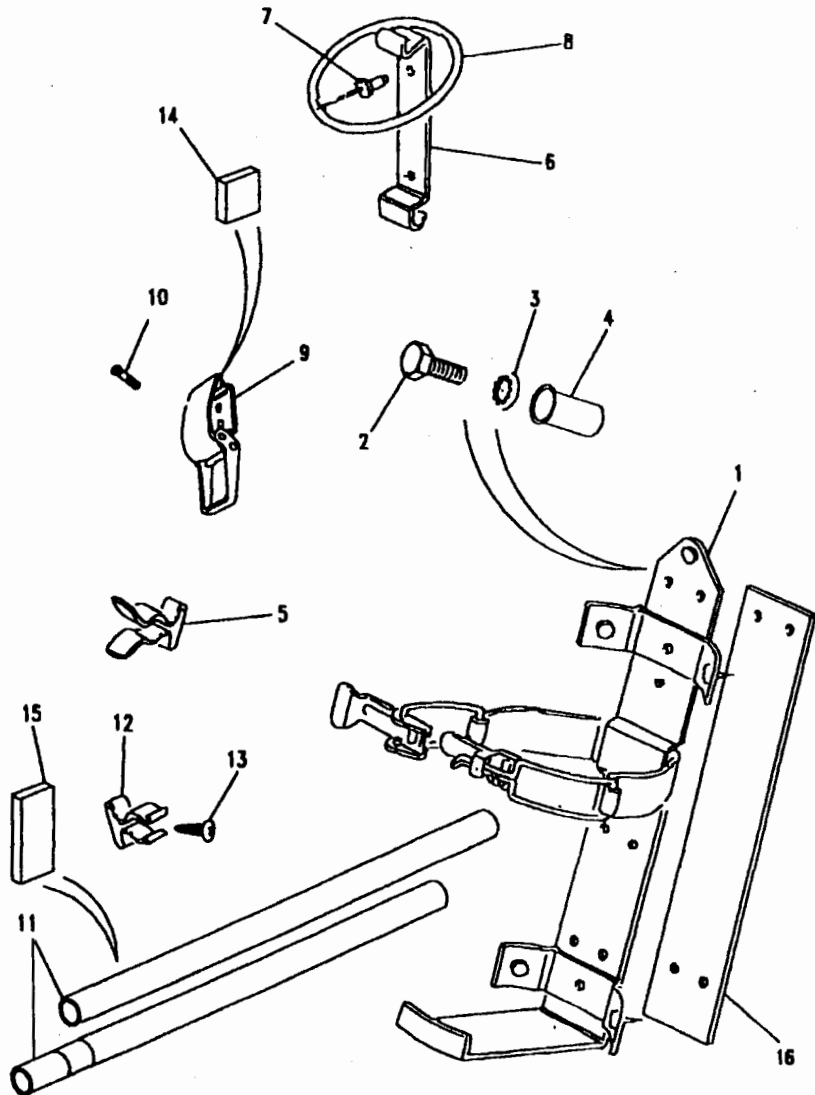
Note(1) Pickaxe bracket is bumper mounted on waterproof vehicles.

Model DEFENDER XD ALL VARIANTS
 Page YDSXAA3A

STOWAGE - TOOL STOWAGE - BULKHEAD

III. Part No.	Description	Qty	Remarks
1	RRC8167 Bracket fire extinguisher	1	
2	RRC8410 Plate bracket mounting	1	
3	BH108251 Bolt M8 X 125	4)Plate
4	WA108051L Washer plain	4)to
5	NY108041L Nut M8	2)bulkhead
6	RRC8610 Rivet bracket to plate	6	
7	RRC8621 Bracket jack mounting	1	
8	78248 Rivet fixing bracket	2	
9	RRC8510 Strap jack retention	1	
10	RRC8657 Plate strap	1	
11	78248 Rivet fixing strap	2	
12	508035 Clip retaining tools	6	
13	78248 Rivet fixing clips	6	
14	RRC8576 Bracket assy wheel chock	1	
	MXC6292LNF Fastener quarter turn	1	
15	78248 Rivet fixing bracket	2	
16	MWC9313 Bracket tool roll	1	
17	78248 Rivet fixing bracket	4	
18	371144 Ring retaining tool roll	1	





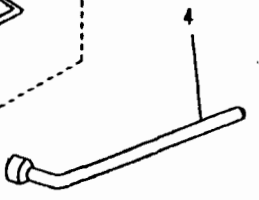
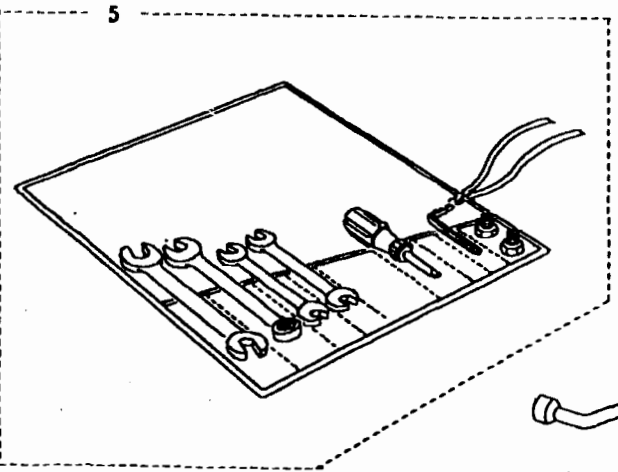
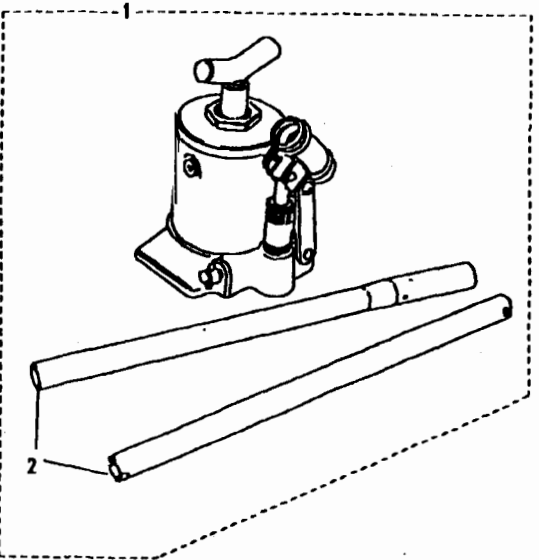
Model DEFENDER XD ALL VARIANTS
Page YDSXAA3B

STOWAGE - TOOL STOWAGE - BULKHEAD - AMBULANCE

Ill. Part No.	Description	Qty	Remarks
1	RRC8167	1	Bracket fire extinguisher
2	SH105161L	4	Screw hex hd M5 x 16
3	WE105001L	4	Washer shakeproof M5
4	NN105021L	4	Nutsert M5
5	508035	4	Clip spring
6	MWC9313	1	Bracket tool roll
7	78248	4	Rivet fixing bracket
8	371144	1	Ring retaining tool roll
9	STC2462	2	Clamp over centre
10	STC3392	4	Screw csk hd M4 x 12
11	STC3928	2	Pipe heater exhaust extn
12	STC3929	4	Clip spring roller type
13	SE103121	4	Screw M3 x 12
14		2	Pad foam rubber
15	DMM100080	2	Pad foam rubber
16		1	Plate stiffening

Note(1)
 Note(2)

10 x 30 x 50mm - for jack handle stowage - use DMM100080
 10 x 30 x 120mm - for exhaust pipe stowage.



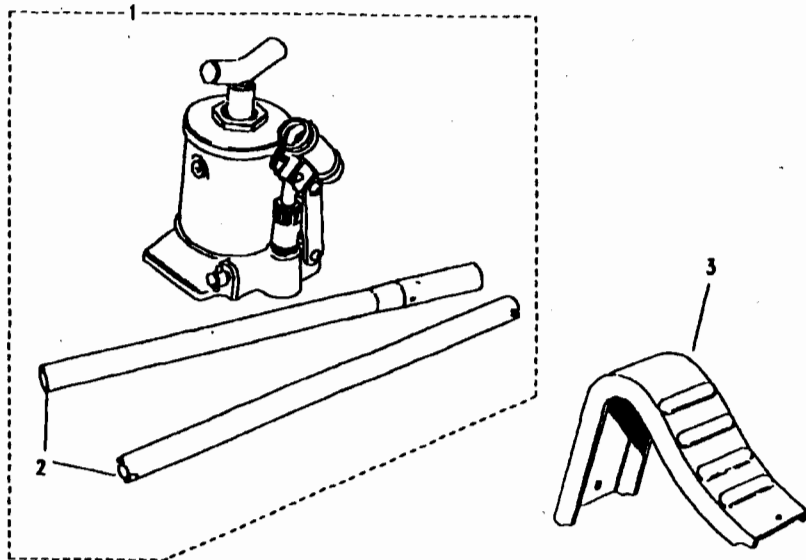
Model DEFENDER XD ALL VARIANTS.
Page YDSXAC1A

STOWAGE - TOOLS

III. Part No.	Description	Qty	Remarks
1 ANR4489	Jack bottle hydraulic	1	
2 ANR4510	Handle jack 2 piece	1	
3 ANR3052	Chock road wheel	2	
4 NTC7829	Wheelbrace	1	
5 RRC8647	Tool kit complete	1	
ERC7295	Plug wading	2	Note(1)

Note(1) For flywheel housing.





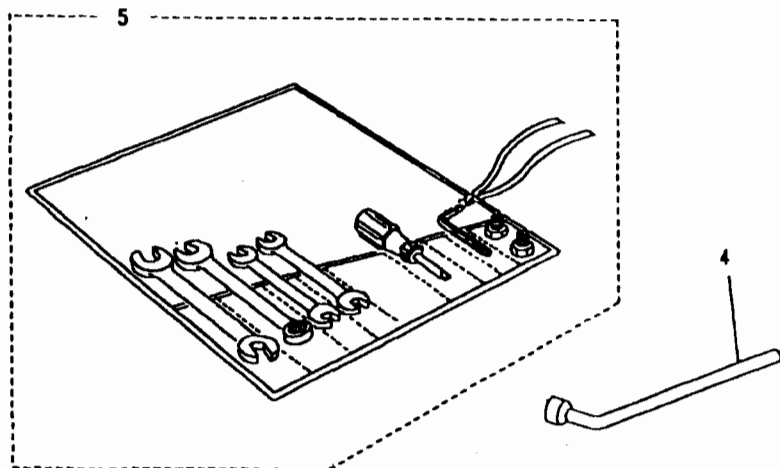
Model DEFENDER XD ALL VARIANTS

Page YDSXAC2A

STOWAGE - TOOLS - AMBULANCE

Ill. Part No.	Description	Qty	Remarks
1 ANR4489	Jack bottle hydraulic	1	
2 ANR4510	Handle jack 2 piece	1	
3 ANR3052	Chock roadwheel	2	
4 NTC7829	Wheelbrace	1	
5 NRC8605	Tool kit complete	1	Up to VA128846
KBQ100000	Tool kit complete	1	From VA128847
ERC7295	Plug wading	2	Note(1)

Note(1) For flywheel housing.





MASTER INDEX

	PAGES
INTRODUCTION PAGES	1 - 4
ALPHABETICAL INDEX	5 - 16
ENGINE	17 - 57
GEARBOX	58 - 74
TRANSFER BOX	75 - 90
AXLES AND SUSPENSION	91 - 129
STEERING	130 - 141
VEHICLE AND ENGINE CONTROLS	142 - 148
BRAKES	149 - 161
FUEL SYSTEM AND AIR CLEANER	162 - 179
EXHAUST SYSTEM	180 - 185
COOLING/HEATING	186 - 225
BODY ELECTRICAL	226 - 319
BODY AND CHASSIS	320 - 444
INTERIOR TRIM	445 - 459
SEATS	460 - 473
STOWAGE	474 - 482
ACCESSORIES - PAINTS	483 - 495
NUMERICAL INDEX	497 - 530

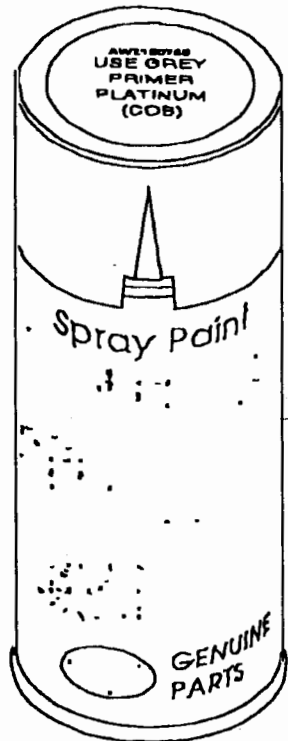
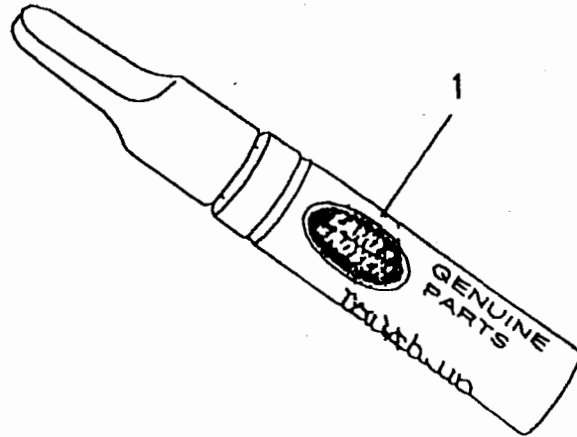
GROUP T

ACCESSORIES - PAINTS

ACCESSORIES - PAINTS

PAINT	484
JATE LIFTING & LASHING RINGS	485
JATE LIFTING & LASHING RINGS - AMBULANCE	486
PINTLE TOWING - NATO ROTATING	487
BLUE LIGHT & SIREN KIT	488
CHARGING CABLE - HELICOPTER SUPPORT	489
STOWAGE BOX - HELICOPTER SUPPORT	490
ROOF PLATFORM - HELICOPTER SUPPORT	491 - 492
ROOF LADDER - HELICOPTER SUPPORT	493
STAGE B WADING PREPARATION	494 - 495





Model DEFENDER XD ALL VARIANTS
Page YDTXAA1A

ACCESSORIES - PAINT

III. Part No.	Description	Qty	Remarks
IRR NATO GREEN - LRC289			
1	Paint touch-up		A/R)Note(1)
2	Paint aerosol		A/R)

Note(1) NSP - available only from PPG suppliers, or via MOD direct supply.

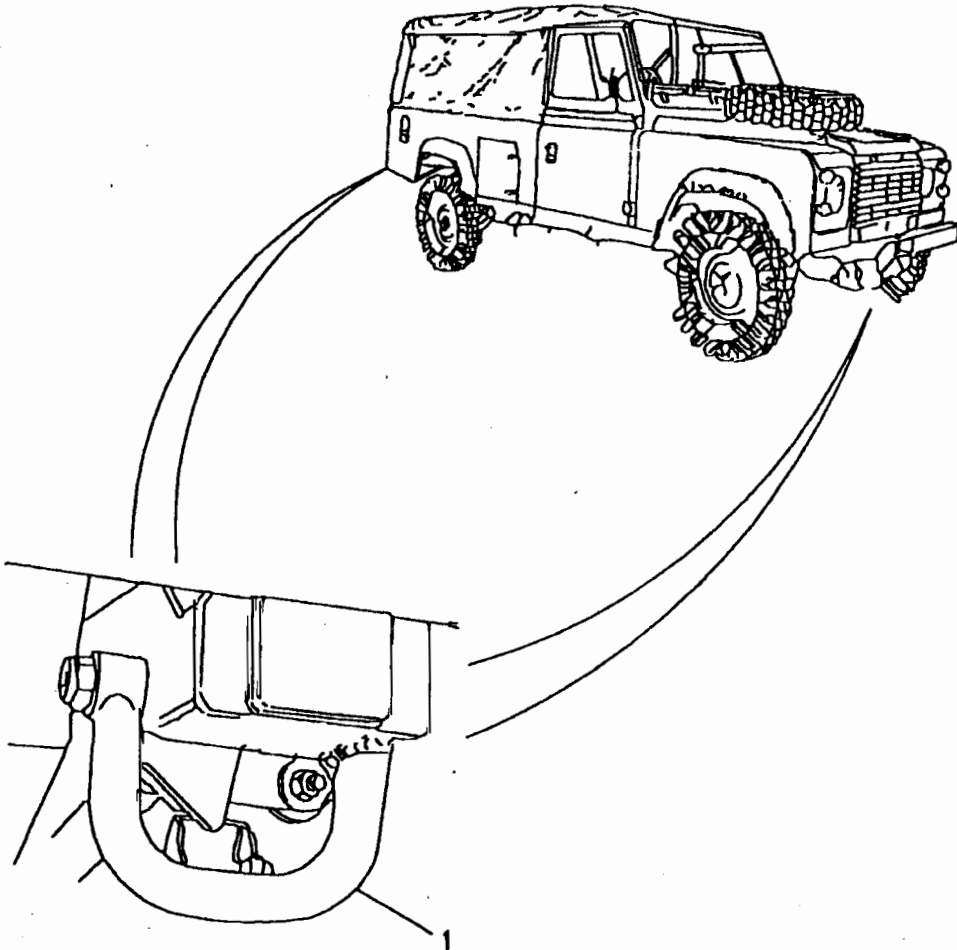


Model DEFENDER XD ALL VARIANTS
Page YDTXCA1A

TOWING EQUIPMENT - JATE LIFTING & LASHING RINGS

III. Part No.	Description	Qty	Remarks
Lifting & lashing rings			
1 RRC3237	Ring lifting	4	
Fixings			
BH110281L	Bolt M10 x 140	4	
WA110061L	Washer plain M10	24	
NY110047L	Nut nyloc M10	4	

Note(1) JATE - Joint Air Transport Executive.



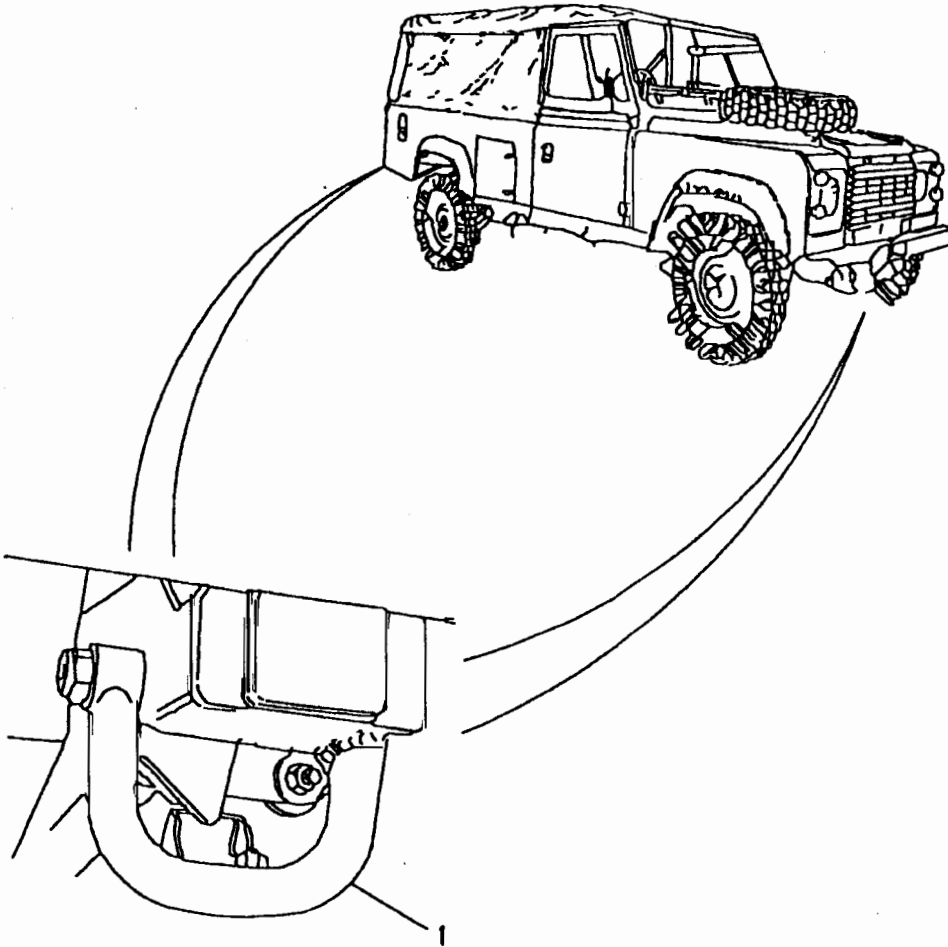


Model DEFENDER XD ALL VARIANTS
Page YDTXCA2A

TOWING EQUIPMENT - JATE LIFTING & LASHING RINGS - AMBULANCE

III. Part No.	Description	Qty	Remarks
Lifting & lashing rings			
1 ZXC9435	Ring lifting	2	Front
RRC3237	Ring lifting	2	Rear
Fixings			
BH110281L	Bolt M10 x 140	4	
WA110061L	Washer plain M10	24	
NY110047L	Nut nyloc M10	4	

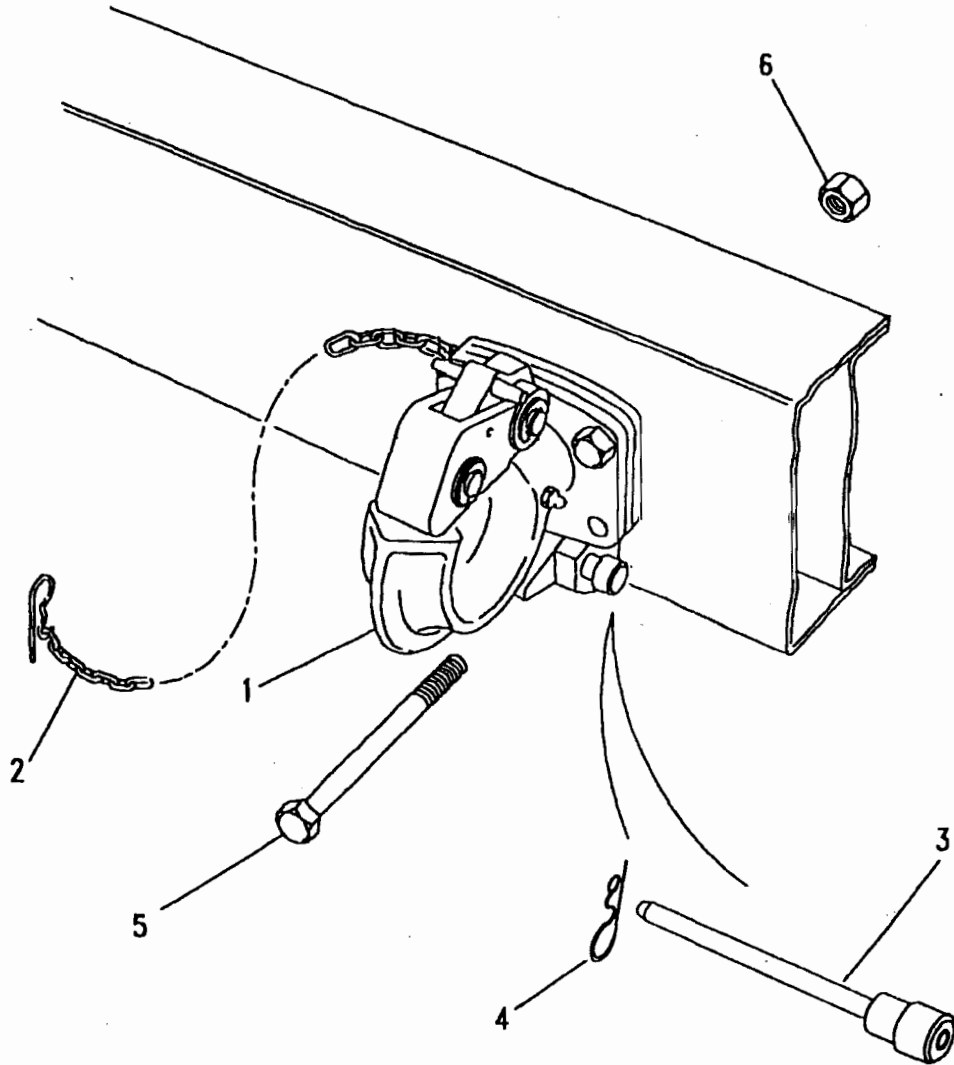
Note(1) JATE - Joint Air Transport Executive.

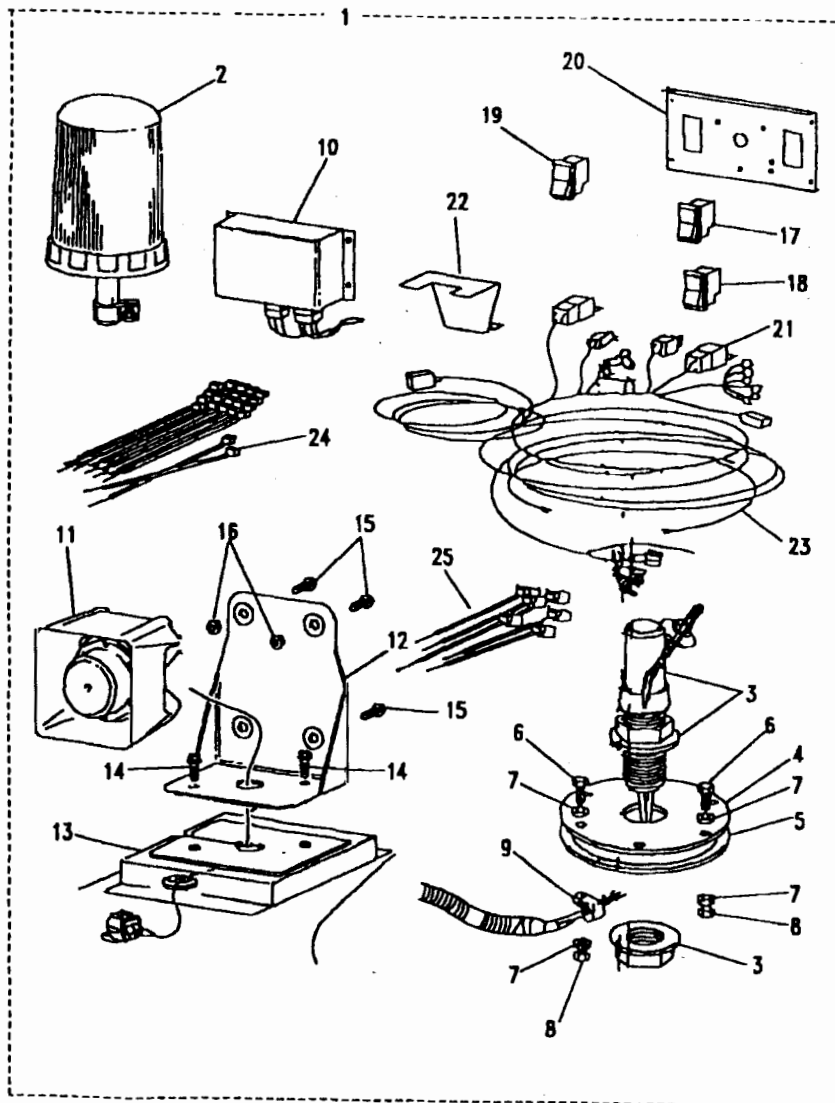


Model DEFENDER XD ALL VARIANTS
Page YDTXC11A

TOWING EQUIPMENT - PINTLE TOWING - NATO ROTATING

III. Part No.	Description	Qty	Remarks
1 NRC2051	Towing pintle	1	
2 RTC5597	Pin jaw locking	1	With chain and tag
3 STC3430	Pin rotation lock	1	
4 STC3431	R clip	1	
5 BH112281L	Bolt M12 x 140	4	
6 FX112041L	Nut locking M12	4	





Model DEFENDER XD ALL VARIANTS
 Page YDTXLC1A

SPECIAL VEHICLES - BLUE LIGHT & SIREN KIT

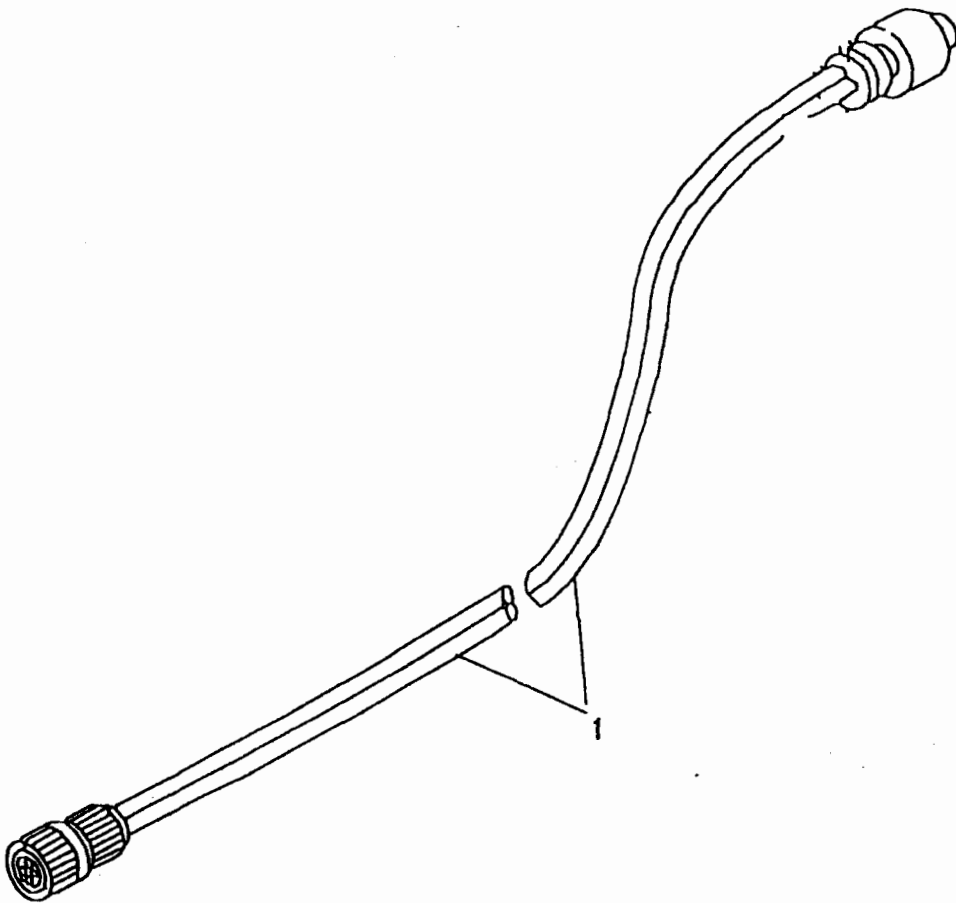
Ill. Part No.	Description	Qty	Remarks
Emergency light & warning siren kit			
1	STC50536 Kit blue light & siren	1	
2	STC3446 Beacon assembly blue	2	
	STC3447 Lens blue	2	
	STC4244 Lens amber	2	Optional
	STC2642 Bulb 24V	2	
3	STC4242 Socket mounting beacon	2	
4	STC4428 Plate mounting beacon	2	Hard top
5	STC4429 Sealing ring	2	
6	FS106207L Screw M6 x 20	12	
7	WA106041L Washer plain M6	12	
8	NY106047L Nut M6	12	
9	BAU1689 Clip P	2	
10	STC3669 Amplifier siren 24V	1	
11	STC3670 Speaker siren 24V	1	
12	STC4431 Bracket mounting siren	1	
13	STC4432 Nut plate	1	
14	SH108251L Screw M8 x 25	2	
15	SE105165L Screw M6 x 16	4	
16	FN106047L Nut M6	4	
17	STC2478 Switch beacon	1	
	STC3461 Bulb switch	1	
18	STC3668 Switch siren	1	
	STC3461 Bulb switch	1	
19	238637L Switch isolation	1	
20	STC4433 Panel switch	1	
21	PRC9671 Relay change over 24V	2	
22	PRC4795 Bracket relay twin	1	
23	STC4430 Harness siren & beacon	1	
24	568680 Cable tie 4.8 x 270mm	50	Black
25	YQR10016L Cable tie panel fixing	5	
Fixings - roof mounted beacons - soft top			
	STC4435 Plate mounting beacon	2	
	STC4436 Clamp & washer assembly	2	



Model DEFENDER XD ALL VARIANTS
Page YDTXMA1A

SPECIAL VEHICLES - CHARGING CABLE - HELICOPTER SUPPORT

III. Part No.	Description	Qty	Remarks
1	Jump start unit charging cable STC60682 Cable assy charging	1	





Model DEFENDER XD ALL VARIANTS

Page YDTXMA2A

SPECIAL VEHICLES - STOWAGE BOX - HELICOPTER SUPPORT

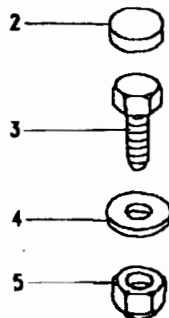
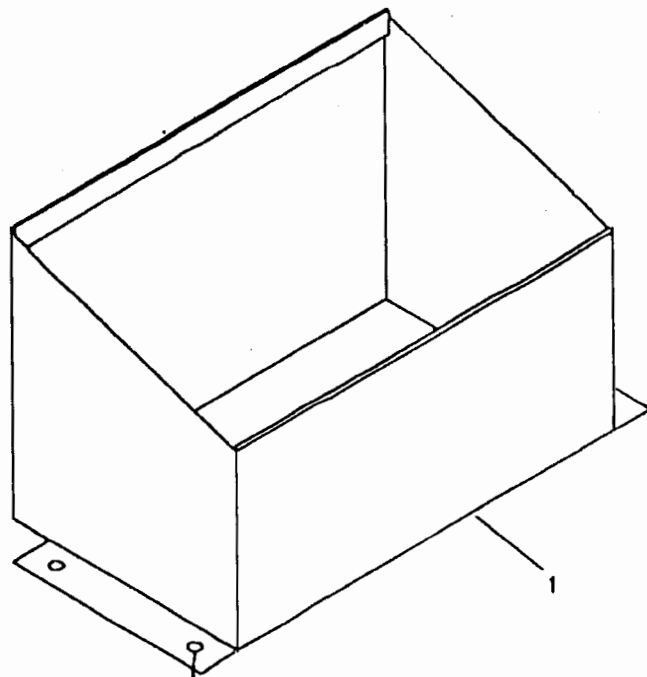
Ill. Part No.	Description	Qty	Remarks
---------------	-------------	-----	---------

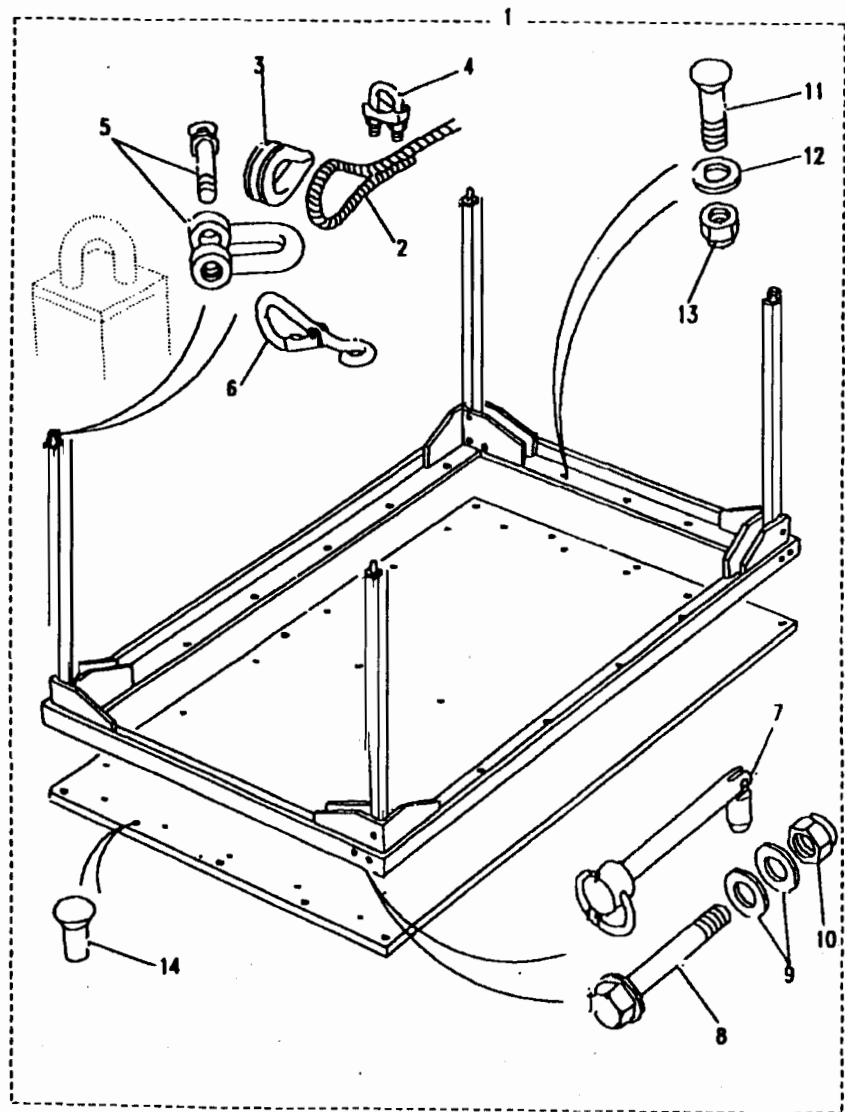
Jump start unit stowage box

1	STC60681	Box stowage	1
---	----------	-------------	---

Fixings

2		Cap bolt cover	4	NSP
3	SH108251	Screw M8 x 25	4	
4	2223	Washer plain 5/16	2	Front
	WA108051L	Washer plain M8	2	Rear
5	NY108041L	Nut nyloc M8	4	





Model DEFENDER XD ALL VARIANTS

Page YDTXMA3A

SPECIAL VEHICLES - ROOF PLATFORM - HELICOPTER SUPPORT

III. Part No.	Description	Qty	Remarks
Platform assembly - roof mounted			
1 STC60679	Platform roof mounted	1	Note(1,2&3)
Safety rail			
2 STC4423	Rope wire plastic coated	1	7m length
3 STC4425	Thimble	8	
4 STC4424	Clamp wire rope 5mm	8	
5 STC4426	D shackle	4	
6 STC4427	Clip spring loaded	1	
Fixings - corner post			
7 STC4422	Sword pin	4	
8 BH112201	Bolt M12 x 100	4	
9 WA112081L	Washer plain M12	8	
10 NY112041L	Nut nyloc M12	4	
Fixings - platform assembly			
11 SA106301	Screw csk hd M6 x 30	22)Frame to floor
12 MRC5527	Washer plain	22)
13 NY106047L	Nut nyloc M6	22)
14 STC4421	Rivet floor to cross bar	15)

Note(1) Full assembly including fixings.
 Note(2) For support rails - see page 492
 Note(3) For access ladder - see page 493

Model DEFENDER XD ALL VARIANTS
Page YDTXMA4A

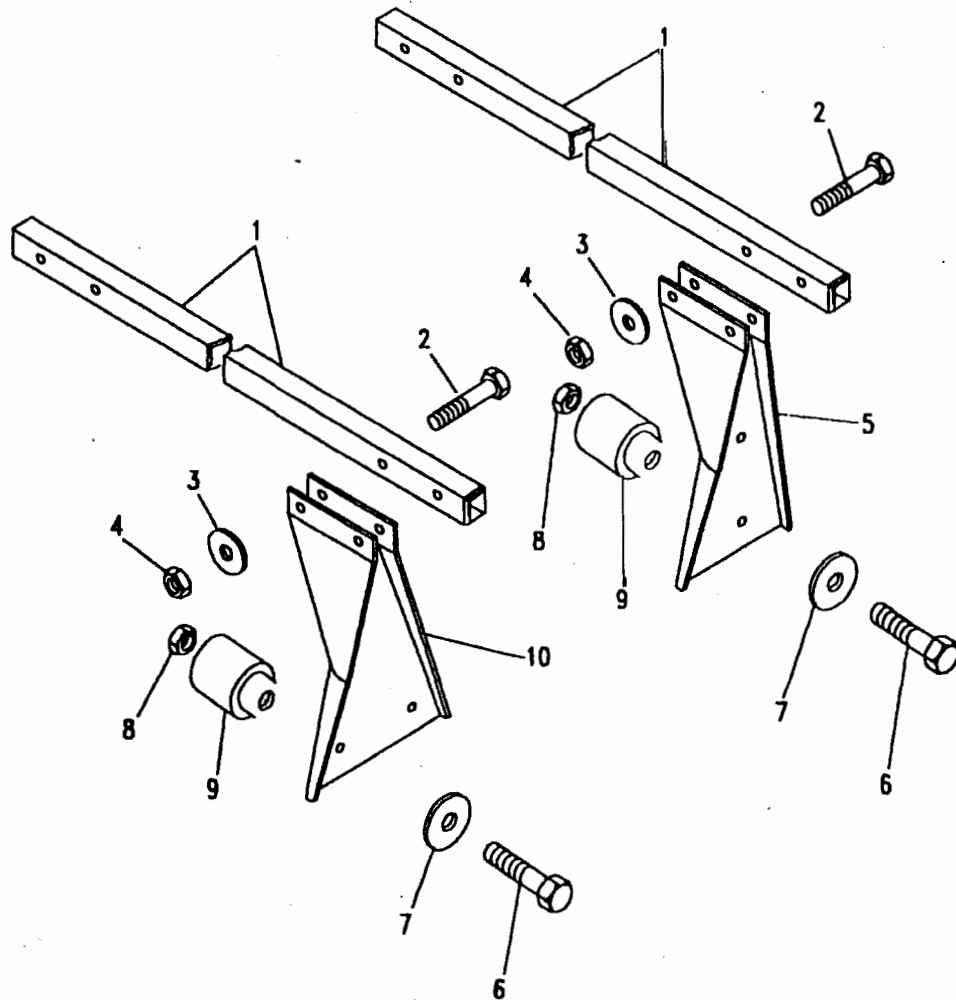
SPECIAL VEHICLES - ROOF PLATFORM - HELICOPTER SUPPORT

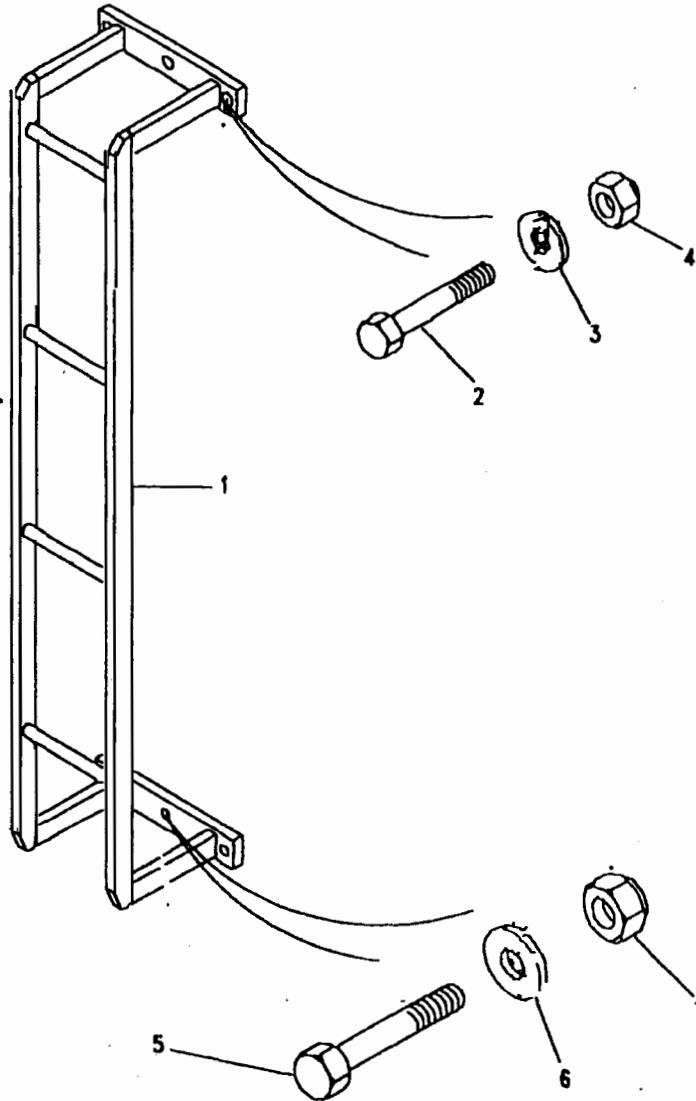
III. Part No. Description Qty Remarks

Platform support rails and fixings

Part No.	Description	Qty	Remarks
1	IPR100000	3	
2	BH108091L	10	
	BH108101L	3	Note(1)
3	WA108051L	25	
4	NY108041L	13	
5	CAN100150	4	Front & rear
6	BH110121L	12	
7	WC110067L	24	
8	NY110047L	12	
9	DJU100050	12	
10	CAN100160	2	Centre

Note(1) Fixing top of ladder - see page 493

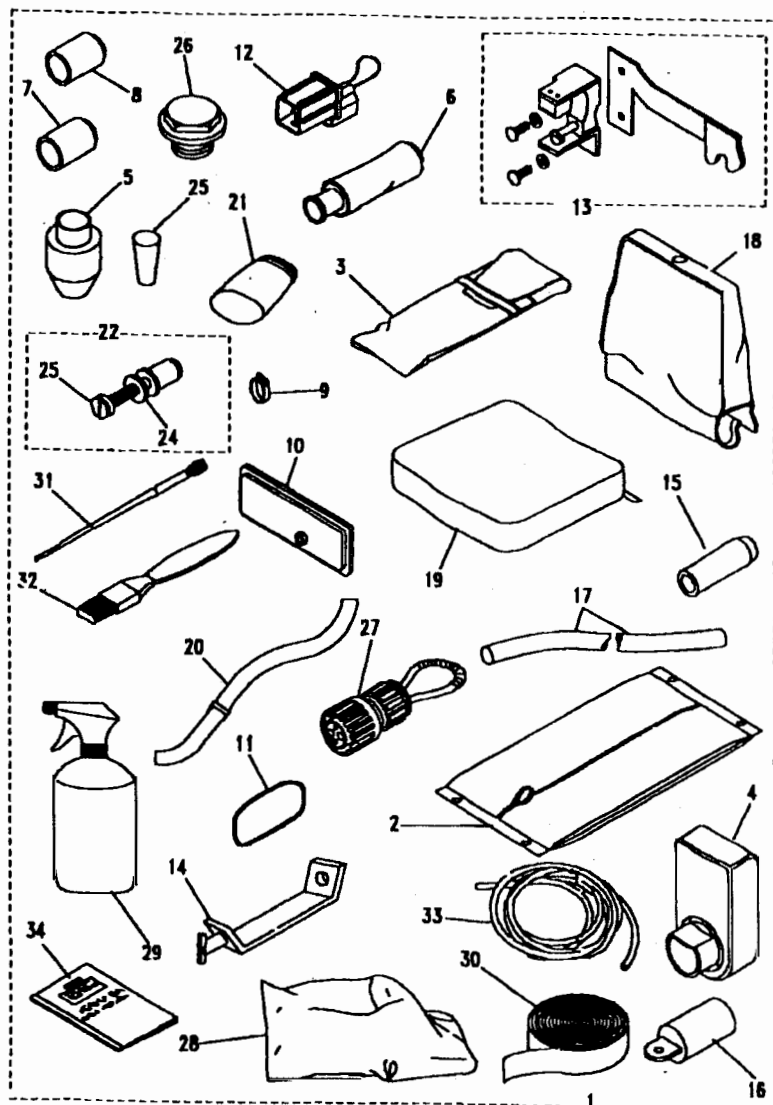




Model DEFENDER XD ALL VARIANTS
Page YDTXMA5A

SPECIAL VEHICLES - ROOF LADDER - HELICOPTER SUPPORT

III. Part No.	Description	Qty	Remarks
Roof access ladder			
1 STC60680	Ladder roof access	1	
Fixings			
2 BH108101L	Bolt M8 x 50	3	
3 WA108051L	Washer plain M8	6	
4 NY108041L	Nut nyloc M8	3	
5 BH110241	Bolt M10 x 120	2	
7 WC110067L	Washer plain M10	4	
8 NY110047L	Nut nyloc M10	2	

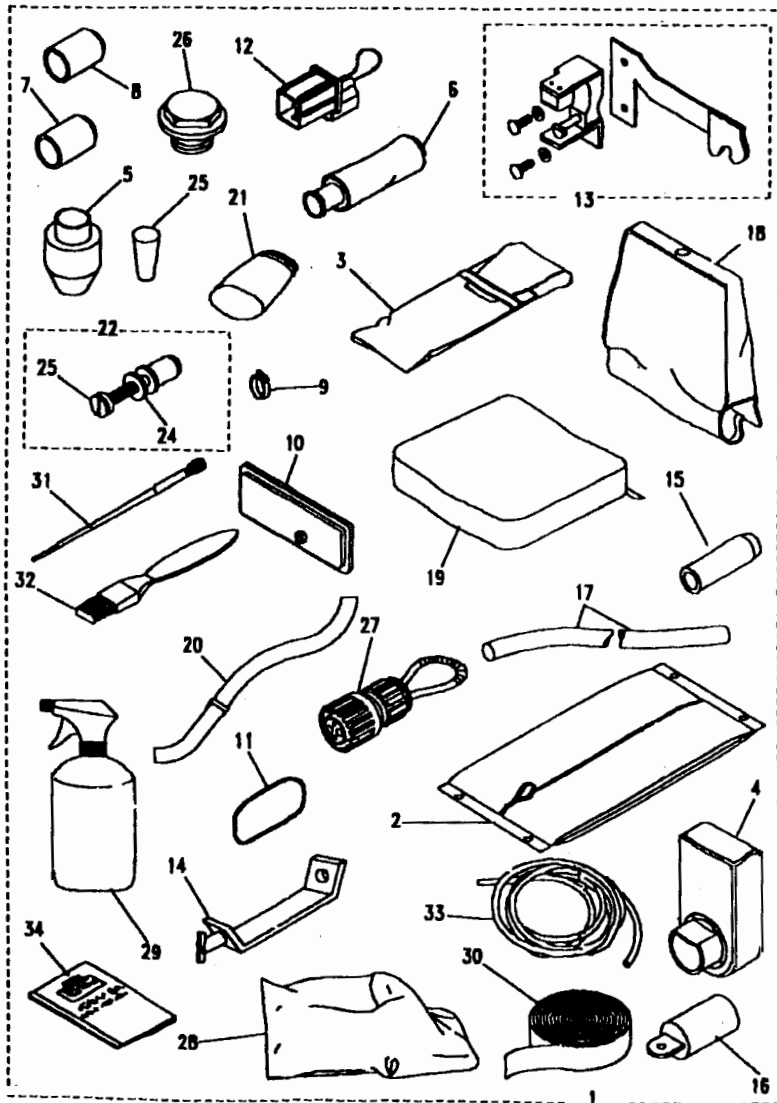


Model DEFENDER XD ALL VARIANTS

Page YDTXPA1A

WATERPROOFING EQUIPMENT - STAGE B WADING PREPARATION

III. Part No.	Description	Qty	Remarks
Kit - Stage B preparation - waterproof vehicles			
1	STC4442	1	GS
	STC4443	1	FFR
Kit components & stowage bags			
2	IPT100050	2	Bag stowage main/stay
3	IPT100010	1	Bag stowage components
4	IPK100090	2	Cover brake reservoir
5	IPK100120	3	Cover clutch reservoir
6	QRS100010	4	Cover column switch
7	IPK100130	2	Cap aux heater exhaust
8	IPK100140	2	Cap aux heater air inlet
9	CN100508L	1	Clip heater exhaust cap
10	IPK100020	1	Cover centre console
11	IPM100080	1	Strap elastic console cvr
12	IPS100010	1	Harness blanking brake
13	BHF710020	1	Stay assembly rear door
14	BHF710010	2	Stay assembly tailgate
15	RRC5110	6	Cap battery breather
16	XDL100030	1	Cover & lanyard map lamp
17	YGJ100010	2	Tube battery link
18	HBA106790	2	Cover assy seat squab
19	HCA106410	2	Cover assy seat cushion
20	IPM100070	1	Strap hood hatch retain
21	XFK100310	2	Cover licence plt lamp
22	IPS100000	6	Plug drain
23	SE104201L	6	Screw M4 x 20
24	WA104001	6	Washer plain M4
25	IPS100040	2/4	Plug drain
26	ERC7295	1	Plug wading
27	YMS100140	1	Connector grounding
			FFR only



Model DEFENDER XD ALL VARIANTS

Page YDTPA1A

WATERPROOFING EQUIPMENT - STAGE B WADING PREPARATION

III. Part No.	Description	Qty	Remarks
Kit components - sundry items			
28	IPT100080	2	Bag PVC misc items
29	IRE100000	1	Container spray
30	IYN100000	1	Tape PVC 19mm x 20m
31	IRX100000	1	Brush 6mm sealant appln
32	IRX100010	1	Brush 25mm sealant appln
33	IRY100000	1	Cord 6mm x 10m
34		1	Handbook waterproofing
		1	Handbook waterproofing

GS - note(1)
FFR - note(1)

Note(1) Supplied with vehicle only, re-order through MOD system.



MASTER INDEX

	PAGES
INTRODUCTION PAGES	1 - 4
ALPHABETICAL INDEX	5 - 16
ENGINE	17 - 57
GEARBOX	58 - 74
TRANSFER BOX	75 - 90
AXLES AND SUSPENSION	91 - 129
STEERING	130 - 141
VEHICLE AND ENGINE CONTROLS	142 - 148
BRAKES	149 - 161
FUEL SYSTEM AND AIR CLEANER	162 - 179
EXHAUST SYSTEM	180 - 185
COOLING/HEATING	186 - 225
BODY ELECTRICAL	226 - 319
BODY AND CHASSIS	320 - 444
INTERIOR TRIM	445 - 459
SEATS	460 - 473
STOWAGE	474 - 482
ACCESSORIES - PAINTS	483 - 495
NUMERICAL INDEX	497 - 530





DEFENDER XD ALL VARIANTS

497

NUMERICAL INDEX

PART NO	PAGE	PART NO	PAGE	PART NO	PAGE	PART NO	PAGE	PART NO	PAGE	PART NO	PAGE
AAM222L	274	AB604051L	454	AB608044	264	AB614061L	457	AFU1069	316	AFU1259	367
AAM222L	275	AB606031	277	AB608047L	174	AB614064L	355	AFU1069	317	AFU1272	207
AAM222L	452	AB606031	385	AB608047L	303	AB614065L	446	AFU1069	355	AFU1280	209
AAP876	199	AB606031	386	AB608047L	447	AB614081L	335	AFU1075	345	AFU1280	315
AAP938	199	AB606031	448	AB608051	278	AB614088	347	AFU1075	355	AFU1350	374
AAP939	199	AB606031L	359	AB608051L	201	AC606064L	452	AFU1075	387	AFU1350	377
AAU2304	84	AB606031L	361	AB608051L	334	AC606064L	453	AFU1077L	173	AFU1350	378
AAU3686	197	AB606031L	363	AB608051L	447	AC606104	447	AFU1079	355	AFU1350	442
AAU3686	248	AB606041L	448	AB608054L	313	AC606104	448	AFU1079	380	AFU1400	90
AAU3686	250	AB606041L	452	AB608054L	451	AC608041L	197	AFU1079	381	AFU1499	333
AAU3686	266	AB606041L	459	AB608054L	453	ADF710030	335	AFU1080	365	AFU1843	391
AAU3686	295	AB606044L	215	AB608055L	250	ADU1221L	362	AFU1090L	167	AFU1882L	22
AAU3686	296	AB606044L	417	AB608061	419	ADU1878L	253	AFU1090L	168	AFU1887L	31
AAU6774	379	AB606044L	449	AB608061	454	ADU1878L	280	AFU1090L	169	AFU1897LDE	160
AAU6774	382	AB606044L	451	AB608061	455	ADU6486L	152	AFU1090L	248	AFU1897LDE	340
AAU710010	255	AB606044L	454	AB608061L	423	ADU8846L	152	AFU1090L	250	AFU1926L	174
AAU7803	152	AB606051	277	AB608065L	197	ADU8846L	153	AFU1090L	261	AFU1926L	250
AAU7803	153	AB606051L	419	AB608068	175	ADU9081L	140	AFU1107	167	AFU1926L	423
AAU7897	237	AB606057	319	AB608068	197	AD606041L	451	AFU1190	299	AFU1926L	454
AAU8276	370	AB606057	347	AB608088	200	AD606044L	446	AFU1217	210	AFU1926L	455
AAU9902	171	AB606057	349	AB610041L	270	AD606044L	449	AFU1218L	449	AFU2627	146
AAU9902	172	AB606057	366	AB610055	339	AEU1861	158	AFU1248	199	AFU2636	455
AAU9903	171	AB606057	384	AB610061L	207	AEU2148L	170	AFU1248	446	AFU2637	361
AAU9903	172	AB606065L	446	AB610061L	285	AEU2149L	170	AFU1248	448	AFU2651	463
AA606044L	455	AB606084	356	AB610124L	446	AEU2539	157	AFU1248	451	AFU2692	451
ABB710020	375	AB606084	357	AB610124L	448	AEU2721	278	AFU1248	452	AFU2692	453
ABB710020	376	AB608031L	132	AB612051L	284	AEU2721	294	AFU1248	453	AFU2813	451
ABG710020	349	AB608031L	148	AB614061L	335	AFB710050	376	AFU1256	366	AFU3112L	231
ABU710080	255	AB608031L	334	AB614061L	336	AFB710060	375	AFU1256	463	AFU3112L	232
ABU710140	221	AB608031L	383	AB614061L	355	AFQ710010	175	AFU1257	334	AFU4173	74





DEFENDER XD ALL VARIANTS

498

NUMERICAL INDEX

PART NO	PAGE	PART NO	PAGE	PART NO	PAGE	PART NO	PAGE	PART NO	PAGE	PART NO	PAGE
AFU4214	138	ALQ710010	307	ALR5324	353	ALR7051	443	ALR9016	376	ALR9826	378
AFU4506	316	ALR1466	374	ALR5342	355	ALR7051	444	ALR9022	351	ALR9827	378
AFU4506	317	ALR1467	374	ALR5437	442	ALR7054	367	ALR9028	442	ALR9828	377
AGU1023	298	ALR1742	336	ALR5438	442	ALR7055	367	ALR9029	442	ALR9829	377
AHA710100	333	ALR1743	336	ALR5989	353	ALR7056	367	ALR9050	371	ALU1403L	25
AHE710010	224	ALR2220	334	ALR5990	353	ALR7057	367	ALR9103	377	ALU1403L	66
AHU710010	351	ALR4554	354	ALR6122	353	ALR7072	382	ALR9103	378	ALU1403L	77
AHU710080	313	ALR4708	376	ALR6250	360	ALR7121	379	ALR9104	377	AL608031	201
AHU710090	319	ALR4710	376	ALR6262	358	ALR7121	382	ALR9104	378	AL614011	336
AHU710100	255	ALR4711	376	ALR6263	358	ALR7228	338	ALR9134	463	AMR1474	233
AHU710110	262	ALR4714	375	ALR6280	360	ALR7232	371	ALR9157	298	AMR1475	233
AHU710120	263	ALR4716	375	ALR6281	342	ALR7491	359	ALR9198	473	AMR1495	164
AH614011L	353	ALR4717	375	ALR6281	344	ALR7492	359	ALR9199	473	AMR1632	315
AH614011L	354	ALR4769	366	ALR6281	346	ALR7493	359	ALR9346	338	AMR1772	229
AIO710010	334	ALR4769	384	ALR6468	341	ALR7494	359	ALR9350	353	AMR1772	234
AJ606011L	447	ALR4770	366	ALR6469	344	ALR7510	337	ALR9350	354	AMR1772	239
AJ608041	197	ALR4770	384	ALR6469	346	ALR7967	443	ALR9386	349	AMR1772	240
AK606011L	451	ALR4809	375	ALR6677	353	ALR7971	444	ALR9387	349	AMR2393	292
AK606011L	454	ALR4809	376	ALR6722	473	ALR8045	345	ALR9424	349	AMR2425	32
AK606011L	455	ALR4871	444	ALR6725	385	ALR8046	345	ALR9484	359	AMR2455	230
AK606031	447	ALR4915	355	ALR6725	386	ALR8069	351	ALR9485	359	AMR2456	230
AK606031	448	ALR4929	366	ALR6842	353	ALR8083	341	ALR9811	370	AMR2569	274
AK606031	452	ALR4936	360	ALR6843	353	ALR8084	341	ALR9814	471	AMR2569	275
AK606031	453	ALR4937	360	ALR6852	363	ALR8085	343	ALR9815	471	AMR2569	278
AK608141L	455	ALR5058	356	ALR6871	377	ALR8086	343	ALR9818	342	AMR2632	294
ALA710320	376	ALR5058	357	ALR6871	378	ALR8765PUC	347	ALR9818	344	AMR2632	296
ALA710330	376	ALR5110	339	ALR7005	335	ALR9009	386	ALR9818	346	AMR2919	252
ALA710340	375	ALR5111	339	ALR7036	371	ALR9015	375	ALR9819	342	AMR2983	254
ALA710350	375	ALR5114	339	ALR7042	371	ALR9015	376	ALR9819	344	AMR3012	315
ALO710010	387	ALR5323	353	ALR7043	371	ALR9016	375	ALR9819	346	AMR3012	316





DEFENDER XD ALL VARIANTS

499

NUMERICAL INDEX

PART NO	PAGE	PART NO	PAGE	PART NO	PAGE	PART NO	PAGE	PART NO	PAGE	PART NO	PAGE
AMR3012	317	AMR4911	274	ANR1895	120	ANR2946	152	ANR3770	151	ANR4581	122
AMR3025	315	AMR4911	275	ANR1895	121	ANR2946	153	ANR3812	381	ANR4583PM	118
AMR3025	316	AMR4911	279	ANR1895	122	ANR2947	152	ANR3840	322	ANR4615	327
AMR3025	317	AMR4912	277	ANR1895	127	ANR2947	153	ANR3840	323	ANR4631	381
AMR3026	317	AMR4913	277	ANR1895	128	ANR2994	134	ANR4153	124	ANR4632	381
AMR3041	260	AMR5085	276	ANR2129	139	ANR3052	481	ANR4153	125	ANR4644	155
AMR3098	248	AMR5127	52	ANR2130	139	ANR3052	482	ANR4158	124	ANR4978	154
AMR3098	250	AMR5127	53	ANR2157	49	ANR3060	127	ANR4158	125	ANR4978	155
AMR3101	267	AMR5149	278	ANR2162	147	ANR3069	151	ANR4159	140	ANR4978	156
AMR3138	253	AMR5149	294	ANR2388	313	ANR3227	79	ANR4160	140	ANR4979	154
AMR3286	256	AMR5248	230	ANR2388	319	ANR3231	131	ANR4164	126	ANR4979	155
AMR3306	288	AMR5248	233	ANR2485	140	ANR3327	139	ANR4188	119	ANR4979	156
AMR3321	39	AMR5248	234	ANR2485	141	ANR3410	119	ANR4189	125	ANR5099	381
AMR3333	231	AMR5449	452	ANR2503	151	ANR3515	330	ANR4192	124	ANR5266	324
AMR3333	232	AMR5481	261	ANR2512	148	ANR3516	330	ANR4192	125	ANR5308	147
AMR3340	294	AMR6105	272	ANR2775	154	ANR3517	330	ANR4195	323	ANR5311	145
AMR3340	296	AMR6106	272	ANR2780	153	ANR3539	121	ANR4196	322	ANR5483	97
AMR3550	316	AMR6106	273	ANR2781	150	ANR3540	128	ANR4215	322	ANR5484	156
AMR3550	317	AMR6517	230	ANR2783	150	ANR3547	326	ANR4215	323	ANR5820	435
AMR3850	233	AMR6518	230	ANR2784	150	ANR3548	326	ANR4215	324	ANR5821	435
AMR3918	66	AMR6523	233	ANR2805	327	ANR3563	150	ANR4344	129	ANR5822	435
AMR3932	318	AMR6524	233	ANR2818	327	ANR3564	150	ANR4483	126	ANR5889	380
AMR3932	319	AMR6676	315	ANR2819	327	ANR3578	120	ANR4487	126	ANR5901	379
AMR3933	318	AMR6676	316	ANR2820	327	ANR3578	121	ANR4488	126	ANR5901	381
AMR3933	319	AMR6676	317	ANR2848	132	ANR3578	122	ANR4489	481	ANR6332	145
AMR3934	318	ANR1338	148	ANR2858	137	ANR3615	153	ANR4489	482	ANR6333	146
AMR3934	319	ANR1339	148	ANR2859	137	ANR3625	79	ANR4510	481	ANR6373	148
AMR3963	270	ANR1799	126	ANR2860	137	ANR3692	160	ANR4510	482	ANR6390	237
AMR4741	248	ANR1859	385	ANR2890	330	ANR3693	160	ANR4581	120	ANR6655	141
AMR4910	239	ANR1859	386	ANR2945	147	ANR3719	435	ANR4581	121	ANR6656	141





DEFENDER XD ALL VARIANTS

500

NUMERICAL INDEX

PART NO	PAGE	PART NO	PAGE	PART NO	PAGE	PART NO	PAGE	PART NO	PAGE	PART NO	PAGE
ANR6885	148	ASR1133	406	ASR1451	368	ASR2352	342	ATU1017L	117	AYH100780	407
ANR6942	138	ASR1134	406	ASR1452	368	ASR2352	344	AWJ710010	355	AYH100780	408
ANR6971	119	ASR1135	405	ASR1453	368	ASR2352	346	AWR1609LOY	455	AYH100810	334
AN108021	463	ASR1136	405	ASR1458	359	ASR2354	386	AWR2214	196	AZ610081	449
AQA710240	376	ASR1136	406	ASR1459	359	ASR2355	386	AWR2215	196	BAC103710	332
AQA710250	375	ASR1137	405	ASR1532	333	ASR2358	385	AWR2216	196	BAU1689	266
AQL710020	377	ASR1137	406	ASR1533	333	ASR2359	385	AWR2217	196	BAU1689	488
AQL710020	378	ASR1146	405	ASR1785	442	ASR2362	385	AWR3815LUM	417	BAU5812L	228
AQL710030	377	ASR1147	406	ASR1788	371	ASR2362	386	AWR4731	289	BAU5812L	229
AQL710030	378	ASR1153	334	ASR1797	385	ASR2363	385	AWR4731	340	BDU1496L	38
AR608021L	355	ASR1154	334	ASR1797	386	ASR2363	386	AWR4731	462	BFA710020	363
AR608031L	355	ASR1184	385	ASR1848	407	ASR2404	471	AWR4782	196	BHA4790L	312
AR610041	148	ASR1184	386	ASR1848	408	ASR2405	471	AWR5007	451	BHA4790L	313
AR610041	248	ASR1184	442	ASR1860	337	ASR2451	377	AWR5698RPI	461	BHB710050	364
AR610041	250	ASR1185	174	ASR1860	338	ASR2451	378	AWR5699RPI	461	BHB710060	364
ASB710260	353	ASR1185	175	ASR1861	337	ASR2452	377	AWR5700RPI	461	BHF710010	494
ASB710270	353	ASR1185	223	ASR1861	338	ASR2452	378	AWR5701RPI	461	BHF710020	494
ASB710280	353	ASR1185	233	ASR1892	354	ASR2516	375	AWR5702RPI	461	BH106061L	154
ASB710290	353	ASR1185	334	ASR1893	354	ASR2516	376	AWR5708RPI	461	BH106061L	155
ASB710360	353	ASR1185	453	ASR1894	354	ASR2517	375	AWR5987	452	BH106061L	156
ASB710370	353	ASR1229	351	ASR1895	354	ASR2517	376	AWR5988	452	BH106121L	371
ASR1002	365	ASR1378	442	ASR1956	354	ASR2520	376	AWR6683	298	BH106161L	453
ASR1018	365	ASR1378	444	ASR1957	354	ASR2521	376	AWR6715	312	BH108051	438
ASR1116	298	ASR1379	442	ASR2100	375	ASR2668	367	AXL710010	338	BH108061L	145
ASR1117	298	ASR1379	444	ASR2101	375	ASR710100	353	AXL710020	337	BH108061M	102
ASR1131	407	ASR1402	355	ASR2172	375	ASR710110	353	AYA10004L	351	BH108067	413
ASR1131	408	ASR1403	355	ASR2173	376	ASU1009	276	AYC100140	221	BH108091L	131
ASR1132	405	ASR1410	444	ASR2198	405	ASU710080	298	AYC100150	221	BH108091L	402
ASR1132	406	ASR1418	377	ASR2198	406	ASW710120	353	AYF10001L	462	BH108091L	421
ASR1133	405	ASR1418	378	ASR2204	364	ASW710130	353	AYF100120	39	BH108091L	492





DEFENDER XD ALL VARIANTS

501

NUMERICAL INDEX

PART NO	PAGE	PART NO	PAGE	PART NO	PAGE	PART NO	PAGE	PART NO	PAGE	PART NO	PAGE
BH108101L	402	BH110241	493	BTP2525	187	BTR8139RPI	461	BX112201	134	CN100168L	166
BH108101L	492	BH110281L	330	BTP2526	187	BTR8140RPI	461	BX116201L	124	CN100168L	195
BH108101L	493	BH110281L	331	BTP2528	187	BTR8141RPI	461	BX116201L	125	CN100208L	140
BH108121L	402	BH110281L	485	BTP2601S	187	BTR8395	202	BX116201L	126	CN100208L	141
BH108181L	302	BH110281L	486	BTR1045	427	BTR8396	202	BYF100080	424	CN100208L	165
BH108201L	322	BH112101L	109	BTR1047	427	BTR8535	377	BYF100080	425	CN100208L	166
BH108201L	323	BH112101L	98	BTR1349	201	BTR8535	378	BYG100190	364	CN100208L	173
BH108201L	324	BH112121L	134	BTR1599	201	BTR8535	388	BYH100130	364	CN100208L	37
BH108201L	327	BH112201	491	BTR1600	201	BTR8535	389	BYP100210	273	CN100258L	140
BH108201L	371	BH112281L	487	BTR1698	335	BTR8535	438	BZV1051	66	CN100258L	141
BH108251	479	BH114167	119	BTR1762RPI	461	BTR8535	470	CAN100150	421	CN100258L	175
BH108251L	302	BH116111	111	BTR1763RPI	461	BTR8736	199	CAN100150	492	CN100258L	176
BH110091	164	BH116207	119	BTR1884PMA	467	BTR912	446	CAN100160	421	CN100258L	177
BH110121L	138	BH116347	126	BTR2307	452	BTR9270	74	CAN100160	492	CN100258L	179
BH110121L	421	BH505161L	293	BTR2308	332	BTR9320	458	CAT101010	431	CN100258L	202
BH110121L	492	BH604151L	137	BTR277	432	BTR9320	459	CAX100140	433	CN100258L	212
BH110121L	80	BH608461	119	BTR358	332	BTR9614	452	CAX100150	433	CN100258L	213
BH110201	181	BKN710010	349	BTR360	458	BTR9712LOY	455	CAX100180	431	CN100258L	214
BH110201	182	BKN710020	349	BTR4372	467	BTR9714LOY	455	CAX100180	433	CN100258L	215
BH110201L	211	BMK1714	270	BTR4373	467	BTR9715LOY	455	CAX100190	431	CN100258L	37
BH110201L	237	BMK1903	146	BTR4433	199	BTR9723LOY	455	CAX100190	433	CN100308L	188
BH110201L	322	BMK2466	155	BTR4434	199	BTR9905	417	CCN110L	100	CN100308L	212
BH110201L	323	BMK2466	156	BTR4717	50	BT606101L	83	CCN110L	112	CN100308L	213
BH110201L	324	BNP4107PMAL	454	BTR475	278	BX108091	131	CDU1067L	265	CN100308L	29
BH110221	379	BNP4107PMAL	455	BTR6164	202	BX108130	113	CFE102720	360	CN100508L	188
BH110221	381	BPA710010	424	BTR6165	202	BX110071M	102	CFE102730	360	CN100508L	494
BH110221L	127	BPA710010	425	BTR6561	467	BX110095M	103	CFE102980	360	CN100508L	52
BH110221L	128	BRC8089L	248	BTR6562	467	BX110095M	114	CFE102990	360	CN100508L	53
BH110221L	329	BRC8089L	250	BTR7897	458	BX110095M	115	CLP3180	145	CN100708	189
BH110221L	397	BTP2284	187	BTR7898	458	BX112091	38	CN100168L	165	CN100708L	296





DEFENDER XD ALL VARIANTS

502

NUMERICAL INDEX

PART NO	PAGE	PART NO	PAGE	PART NO	PAGE	PART NO	PAGE	PART NO	PAGE	PART NO	PAGE
CN100808L	175	CUB102690	361	DGP101060	456	DRC1245	286	END100810	459	ERR1630	23
CN100808L	176	CXF100130	367	DHV100090	348	DUV100000	443	ERC3725	31	ERR1653	22
CN100808L	177	CZA4705L	335	DJU100050	421	DUV100000	444	ERC3727	31	ERR1653	25
CN100908	166	CZA4705L	336	DJU100050	492	DXU100200	406	ERC4996	21	ERR1919	21
CN100908L	165	CZA4705L	347	DJZ100030	439	DXU100210	405	ERC5830	278	ERR1939	32
CN100908L	175	CZA4705L	355	DJZ100030	440	DYF100760	328	ERC5913	31	ERR1972	28
CN100908L	176	CZA4705L	446	DKB102930	319	DYH10042L	313	ERC5923	31	ERR1973	28
CN100908L	177	CZA4705L	449	DKC100980	312	DYH10042L	319	ERC7295	481	ERR2023	43
CN101108L	175	C38637L	275	DKC100980	314	DYP10038L	228	ERC7295	482	ERR2026	37
CN101108L	296	C39377L	248	DKC100980	318	DYP10038L	229	ERC7295	494	ERR2027	48
CP105081L	304	C39377L	256	DKC100980	319	DZA5097L	450	ERC9404	33	ERR2028	42
CP106221	140	C39377L	257	DKV100000	314	EAH104780	459	ERC9404	44	ERR2081	33
CP106221	141	C393771L	265	DLB101670	313	EAH104790	459	ERC9404	48	ERR2100	23
CP108251L	33	DAH100680	427	DLB101680	319	EAN101540	456	ERC9404	57	ERR2109	46
CRC1250L	152	DAS100150	427	DLC100390	319	EDP7510L	145	ERC9410	22	ERR2112	23
CRC1250L	153	DA606059L	233	DLH100170	313	EDZ100170	415	ERR1019	33	ERR2215	50
CRC1250L	154	DA608044L	455	DLH100180	319	EJB121940PMA	454	ERR1084	26	ERR2216	38
CRC1250L	155	DA608064	455	DMB103060	316	EJB121950PMA	454	ERR1085	26	ERR2216	44
CRC1250L	156	DA610051	155	DMB103090	317	EJG100090PMA	454	ERR1086	26	ERR2220	23
CRC1487	152	DA610051	156	DMC100590	316	EJG100100PMA	454	ERR1092	28	ERR2228	49
CRC1487	153	DA610051	201	DMC100590	317	EJG100120PMA	455	ERR1094	22	ERR2241	31
CRC1487	154	DA610051	334	DMC100600	317	EJO100030	453	ERR1125	170	ERR2266	30
CRC1487	155	DA610051L	250	DMG10001L	315	EJP1504L	150	ERR1125	46	ERR2317	31
CRC1487	156	DA610051L	334	DMG10001L	316	EJP7738L	72	ERR1156	35	ERR2337	178
CRC209	131	DA610055	454	DMG10001L	317	EKG103360PMA	454	ERR1203	34	ERR2337	41
CR120105L	73	DBP8169L	261	DMM100080	480	EKG103370PMA	454	ERR1209	34	ERR2344	27
CR120205	461	DCP3212L	145	DNC101720	316	ELB109450PMA	455	ERR1304	45	ERR2378	29
CR120215	88	DCP3969L	210	DNC101720	317	END100780	459	ERR1351	37	ERR2396	32
CR120335L	73	DCP7384L	45	DOP100000	313	END100790	459	ERR1471	37	ERR2405	34
CUB102680	361	DCP8706L	271	DPB104360	328	END100800	459	ERR1564	23	ERR2409	36





DEFENDER XD ALL VARIANTS

503

NUMERICAL INDEX

PART NO	PAGE	PART NO	PAGE	PART NO	PAGE	PART NO	PAGE	PART NO	PAGE	PART NO	PAGE
ERR2410	24	ERR3479	39	ERR4084	32	ERR4834	36	ERR6811	21	ERR894	43
ERR2418	24	ERR3481	40	ERR4085	284	ERR4848	34	ERR6818	21	ERR900	28
ERR2419	24	ERR3490	39	ERR4120	27	ERR4860	26	ERR6835	43	ERR913	21
ERR2732	34	ERR3539	48	ERR4175	35	ERR4883	34	ERR703	24	ESR1287	165
ERR2767	21	ERR3545	38	ERR4531	202	ERR4894	46	ERR7143	26	ESR1287	166
ERR2789	30	ERR3545	44	ERR4574	57	ERR4895	46	ERR7147	26	ESR1373	140
ERR2797	51	ERR3547	38	ERR4575	26	ERR4926	37	ERR7154	32	ESR1373	167
ERR2798	51	ERR3580	190	ERR4576	26	ERR4975	50	ERR7173	41	ESR1373	178
ERR2850	178	ERR3581	190	ERR4578	26	ERR5021	56	ERR719	57	ESR1469	168
ERR2851	178	ERR3622	29	ERR4621	45	ERR5027	32	ERR7249	27	ESR1469	169
ERR3084	37	ERR3622	39	ERR4639	50	ERR5034	21	ERR7250	27	ESR1594	191
ERR3283	31	ERR3633	25	ERR4640	35	ERR5041	36	ERR7293	27	ESR1650	165
ERR3284	29	ERR3683	25	ERR4664	26	ERR5056	43	ERR7295	55	ESR1650	166
ERR3286	27	ERR3733	49	ERR4685	39	ERR5057	42	ERR7296	55	ESR1800	187
ERR3291	39	ERR3734	29	ERR4686	39	ERR5087	23	ERR7297	55	ESR1931	191
ERR3299	25	ERR3735	30	ERR4687	34	ERR5099	29	ERR7298	55	ESR2033	183
ERR3306	45	ERR3736	29	ERR4688	178	ERR5215	23	ERR7299	43	ESR2033	184
ERR3314	41	ERR3737	39	ERR4691	36	ERR5259	29	ERR7327	27	ESR2033	185
ERR3319	41	ERR3738	39	ERR4696	25	ERR5261	32	ERR7328	40	ESR2034	181
ERR3339	45	ERR3753	32	ERR4697	25	ERR5262	32	ERR7330	40	ESR2034	182
ERR3340	31	ERR3754	38	ERR4698	46	ERR5263	32	ERR7331	40	ESR2055	189
ERR3342	34	ERR3756	38	ERR4706	37	ERR5455	46	ERR7339	42	ESR2084	194
ERR3343	34	ERR3777	35	ERR4707	23	ERR560	34	ERR7386	51	ESR2085	194
ERR335	46	ERR3779	34	ERR4708	29	ERR561	35	ERR7386	55	ESR2087	183
ERR3356	26	ERR3780	45	ERR4709	38	ERR5691	29	ERR7387	55	ESR2119	189
ERR3417	25	ERR3785	40	ERR4710	23	ERR5732	190	ERR874	37	ESR2120	189
ERR3419	21	ERR3791	41	ERR4723	57	ERR5870	55	ERR886	40	ESR2131	183
ERR3424	36	ERR3807	51	ERR4802	46	ERR5911	30	ERR894	170	ESR2204	164
ERR3457	34	ERR3809	25	ERR4802E	46	ERR6005	55	ERR894	33	ESR2242	163
ERR3468	45	ERR4047	41	ERR4824	27	ERR607	35	ERR894	40	ESR2243	164





DEFENDER XD ALL VARIANTS

504

NUMERICAL INDEX

PART NO	PAGE	PART NO	PAGE	PART NO	PAGE	PART NO	PAGE	PART NO	PAGE	PART NO	PAGE
ESR2297	182	ESR3028	174	ESR3282	174	ESR4432	168	ETC8820	46	FB108101	34
ESR2298	188	ESR3100	187	ESR3283	174	ESR4526	183	ETD103270	459	FB108101	357
ESR2308	187	ESR3101	187	ESR3284	174	ESR4527	183	ETO100000	459	FB108101	43
ESR2309	189	ESR3102	187	ESR3285	174	ESR4569	174	ETO100010	459	FB108111L	152
ESR2313	195	ESR3105	41	ESR3286	176	ESR4570	174	ETO100020	459	FB108111L	74
ESR2383	184	ESR3107	41	ESR3293	184	ESR489	192	ETO100030	459	FB108111L	77
ESR2384	184	ESR3111	176	ESR3293	185	ESR63	195	ETO100040	459	FB108111L	88
ESR2385	185	ESR3111	177	ESR3294	183	ETC4068	35	ETO100050	459	FB108121L	54
ESR2386	185	ESR3118	170	ESR3294	184	ETC4069	35	ETU100400	441	FB108131L	29
ESR2416	194	ESR3121	188	ESR3294	185	ETC4246	35	ETU100410	441	FB108141S	66
ESR2422	40	ESR3125	167	ESR3301	116	ETC4922	21	ETU100420	441	FB108161L	26
ESR2427	174	ESR3129	167	ESR3301	117	ETC5577	33	ETU100430	441	FB108171	40
ESR2429	174	ESR3162	174	ESR3301	176	ETC5577	40	ETU100440	441	FB108171L	66
ESR2430	176	ESR3163	174	ESR3301	177	ETC5592	22	ETU100450	441	FB108181ML	77
ESR2431	176	ESR3172	181	ESR3301	53	ETC6531	22	ETU100460	441	FB108201L	26
ESR2435	194	ESR3172	182	ESR3308	41	ETC6532	22	EYB10009L	375	FB108221	26
ESR2579	194	ESR3172	183	ESR3386	169	ETC7357	24	EYB10009L	376	FB108241L	29
ESR2611	163	ESR3172	184	ESR3387	169	ETC7884	88	FAJ100020	356	FB108251	52
ESR2662	188	ESR3172	185	ESR3436	195	ETC8003	32	FAJ100020	357	FB108251	53
ESR2729	189	ESR3173	174	ESR3458	170	ETC8031	33	FAM9270	72	FB108251	54
ESR2730	189	ESR3175	174	ESR3462	185	ETC8036	33	FBX100360	278	FB108261	29
ESR2731	176	ESR3229	192	ESR3483	176	ETC8074	21	FB105051L	89	FB110071L	57
ESR2739	181	ESR3229	193	ESR3495	181	ETC8191	24	FB106075L	349	FB110071L	65
ESR2739	182	ESR3235	168	ESR3495	182	ETC8193	35	FB106111L	37	FB110071ML	79
ESR2747	176	ESR3235	169	ESR354	170	ETC8352	21	FB108071L	26	FB110081ML	78
ESR2749	194	ESR3260	181	ESR3686	187	ETC8442	21	FB108081L	26	FB110091ML	78
ESR2945	181	ESR3260	182	ESR3690	191	ETC8560	28	FB108081L	60	FB110091ML	79
ESR2945	182	ESR3277	163	ESR3691	191	ETC8663	35	FB108081L	66	FB110131L	28
ESR301	256	ESR3278	163	ESR3857	174	ETC8808	32	FB108091L	60	FCL101020	278
ESR301	257	ESR3278	164	ESR4431	168	ETC8810	32	FB108101	26	FCX100150	280





DEFENDER XD ALL VARIANTS

505

NUMERICAL INDEX

PART NO	PAGE	PART NO	PAGE	PART NO	PAGE	PART NO	PAGE	PART NO	PAGE	PART NO	PAGE
FCZ100050	296	FN108047L	324	FRC2365	81	FRC4808	46	FRC5926	103	FRC7334	73
FC108137	29	FN108047L	333	FRC2464	83	FRC4808	79	FRC5926	114	FRC7335	73
FC108247	29	FN108047L	34	FRC2464	84	FRC4951	73	FRC5926	115	FRC7414	74
FHR100430	250	FN108047L	349	FRC2481	60	FRC4951	88	FRC6030	86	FRC7437	82
FN105047L	193	FN108047L	355	FRC2482	21	FRC5076	88	FRC6104	77	FRC7439	82
FN105047L	255	FN108047L	364	FRC2482	79	FRC5204	111	FRC6106	77	FRC7441	87
FN105047L	313	FN108047L	40	FRC2626	66	FRC5255	60	FRC6109	86	FRC7452	82
FN105047L	52	FN108047L	43	FRC2626	74	FRC5280	70	FRC6110	65	FRC7453	82
FN105047L	53	FN108047L	45	FRC2883	102	FRC5415	79	FRC6110	86	FRC7454	82
FN105047L	54	FN108047L	470	FRC2884	102	FRC5439	83	FRC6145	61	FRC7487	88
FN106047L	139	FN108047L	50	FRC2885	102	FRC5440	85	FRC6782	103	FRC7499	80
FN106047L	140	FN110047	131	FRC2886	102	FRC5442	83	FRC6783	103	FRC7686	86
FN106047L	141	FN110047	164	FRC2894	102	FRC5446	84	FRC6784	103	FRC7810	82
FN106047L	178	FN110047	181	FRC3162	84	FRC5449	85	FRC6785	103	FRC7855	66
FN106047L	213	FN110047	182	FRC3286	84	FRC5450	84	FRC6786	103	FRC7860	74
FN106047L	266	FN110047	28	FRC3310	84	FRC5468	86	FRC6787	103	FRC7871	86
FN106047L	313	FN110047	323	FRC3327	60	FRC5469	86	FRC6788	103	FRC7886	74
FN106047L	319	FN110047	324	FRC3412	78	FRC5473	86	FRC6789	103	FRC7926	80
FN106047L	488	FN110047	362	FRC3416	60	FRC5478	88	FRC6790	103	FRC7929	87
FN106047L	52	FN110047	56	FRC3502	90	FRC5479	88	FRC6872	88	FRC7930	77
FN106047L	53	FN110047	79	FRC3602	84	FRC5480	88	FRC6873	88	FRC7970	87
FN106047L	54	FN110047L	244	FRC3725	102	FRC5562	86	FRC6943	78	FRC8075	89
FN108047L	171	FN110047L	29	FRC4112	109	FRC5564	81	FRC6968	80	FRC8127	73
FN108047L	178	FN110047L	322	FRC4112	98	FRC5574	88	FRC7065	101	FRC8202	89
FN108047L	248	FN110047L	65	FRC4282	66	FRC5575	77	FRC7098	86	FRC8203	88
FN108047L	256	FN110047L	74	FRC4434	73	FRC5575	87	FRC7155	74	FRC8239	73
FN108047L	257	FN110047L	79	FRC4435	73	FRC5576	86	FRC7160	74	FRC8291	82
FN108047L	261	FRC2310	104	FRC4499	88	FRC5594	78	FRC7201	157	FRC8292	78
FN108047L	322	FRC2310	114	FRC4499	89	FRC5859	73	FRC7202	157	FRC8292	82
FN108047L	323	FRC2310	115	FRC4808	33	FRC5864	73	FRC7333	73	FRC8292	88





DEFENDER XD ALL VARIANTS

506

NUMERICAL INDEX

PART NO	PAGE	PART NO	PAGE	PART NO	PAGE	PART NO	PAGE	PART NO	PAGE	PART NO	PAGE
FRC8386	92	FRC9938	81	FS106167L	214	FS106207L	341	FS108201	119	FS108251ML	77
FRC8393	93	FRC9940	81	FS106167L	217	FS106207L	350	FS108201	124	FS108251ML	79
FRC8530	101	FRC9942	81	FS106167L	246	FS106207L	355	FS108201	125	FS108251ML	82
FRC8548	89	FRC9944	81	FS106167L	293	FS106207L	367	FS108201L	41	FS108251ML	86
FRC8561	88	FRC9946	81	FS106167L	31	FS106207L	372	FS108207L	126	FS108251ML	88
FRC8724	74	FRC9948	81	FS106167L	328	FS106207L	379	FS108207L	131	FS108257L	131
FRC8766	88	FRC9950	81	FS106167L	373	FS106207L	380	FS108207L	170	FS108257L	133
FRC8767	89	FRC9952	81	FS106167L	374	FS106207L	430	FS108207L	178	FS108257L	148
FRC8775	155	FRC9954	81	FS106167L	38	FS106207L	431	FS108207L	209	FS108257L	21
FRC8775	156	FRC9956	81	FS106167L	464	FS106207L	432	FS108207L	217	FS108257L	26
FRC8900	87	FRC9958	81	FS106167L	74	FS106207L	433	FS108207L	22	FS108257L	322
FRC9310	89	FRC9960	81	FS106201	140	FS106207L	466	FS108207L	25	FS108257L	323
FRC9427	77	FRC9979	113	FS106201	141	FS106207L	488	FS108207L	289	FS108257L	324
FRC9430	66	FS105101	40	FS106201	344	FS106207L	88	FS108207L	310	FS108257L	33
FRC9460	82	FS105107	262	FS106201	346	FS106251M	88	FS108207L	311	FS108257L	349
FRC9470N	76	FS105161P	219	FS106201	74	FS106255L	139	FS108207L	322	FS108257L	355
FRC9546	87	FS105161P	223	FS106201L	410	FS106255L	428	FS108207L	33	FS108257L	37
FRC9549	87	FS106125L	101	FS106201L	415	FS106257L	193	FS108207L	340	FS108257L	372
FRC9555	88	FS106125L	255	FS106201L	417	FS106257L	292	FS108207L	342	FS108257L	39
FRC9845	80	FS106125L	313	FS106207L	158	FS108061	79	FS108207L	347	FS108257L	435
FRC9847	80	FS106125L	319	FS106207L	159	FS108127L	27	FS108207L	349	FS108257L	470
FRC9849	80	FS106127L	209	FS106207L	175	FS108127L	29	FS108207L	374	FS108257L	472
FRC9851	80	FS106161L	289	FS106207L	193	FS108127L	30	FS108207L	43	FS108257L	51
FRC9853	80	FS106161L	306	FS106207L	213	FS108127L	49	FS108207L	46	FS108257L	55
FRC9926	81	FS106161ML	25	FS106207L	253	FS108161L	178	FS108207L	48	FS108257L	60
FRC9928	81	FS106161ML	61	FS106207L	271	FS108161L	25	FS108207L	49	FS108257L	66
FRC9930	81	FS106161ML	66	FS106207L	300	FS108161L	33	FS108251L	129	FS108257L	74
FRC9932	81	FS106167L	170	FS106207L	302	FS108161L	38	FS108251L	237	FS108301S	67
FRC9934	81	FS106167L	194	FS106207L	337	FS108161L	44	FS108251L	462	FS108305L	462
FRC9936	81	FS106167L	213	FS106207L	338	FS108161L	49	FS108251ML	67	FS108307L	147





DEFENDER XD ALL VARIANTS

507

NUMERICAL INDEX

PART NO	PAGE	PART NO	PAGE	PART NO	PAGE	PART NO	PAGE	PART NO	PAGE	PART NO	PAGE
FS108307L	163	FS112301P	111	FTC2827	87	FTC3375	158	FTC3583	73	FTC3751	62
FS108307L	170	FS112301P	99	FTC2882	102	FTC3375	159	FTC3584	68	FTC3753	62
FS108307L	171	FS112401L	38	FTC2885	73	FTC3382	61	FTC3584	69	FTC3755	62
FS108307L	172	FS112401L	65	FTC2957	60	FTC3382	73	FTC3584	70	FTC3757	62
FS108307L	29	FTC1084	87	FTC3145	114	FTC3387	66	FTC3586	100	FTC3759	62
FS108307L	400	FTC1311	68	FTC3145	115	FTC3391	72	FTC3586	112	FTC3761	62
FS108307L	42	FTC1311	69	FTC3148	101	FTC3401	101	FTC3586	113	FTC3763	62
FS108307L	52	FTC1311	70	FTC3149	101	FTC3429	113	FTC3587	66	FTC3765	62
FS108307L	53	FTC1368	157	FTC3154	102	FTC3454	101	FTC3620	100	FTC3767	62
FS108307L	66	FTC1368	158	FTC317	72	FTC3456	101	FTC3620	112	FTC3769	62
FS108351L	365	FTC1368	159	FTC3178	78	FTC3483	111	FTC3627	87	FTC3771	62
FS108351L	74	FTC1381	158	FTC3267	112	FTC3485	113	FTC3646	101	FTC3773	62
FS108357	210	FTC1441	66	FTC3268	112	FTC3511	111	FTC3647	102	FTC3775	62
FS108357	310	FTC1741	87	FTC3269	100	FTC3513	113	FTC3648	102	FTC3777	62
FS108357	311	FTC1748	78	FTC3269	112	FTC3515	113	FTC3648	115	FTC3779	62
FS110251L	443	FTC1919	78	FTC3270	114	FTC3517	113	FTC3650	114	FTC3781	62
FS110251L	444	FTC1994	57	FTC3271	114	FTC3519	113	FTC3674	86	FTC3783	62
FS110251L	97	FTC2005	68	FTC3272	109	FTC3521	113	FTC3675	89	FTC3785	62
FS110301L	170	FTC2005	70	FTC3272	98	FTC3523	111	FTC3696	67	FTC3787	62
FS110301L	31	FTC2383	66	FTC3272E	109	FTC3525	111	FTC3697	70	FTC382	87
FS110301L	442	FTC2385	72	FTC3272E	98	FTC3527	111	FTC3698	86	FTC3847	72
FS110301L	443	FTC2392	66	FTC3276	101	FTC3529	111	FTC3703	67	FTC3848	61
FS110301L	444	FTC2396	68	FTC3278	157	FTC3531	111	FTC3711	66	FTC3850	72
FS110301L	50	FTC2396	69	FTC3279	157	FTC3533	111	FTC3713	66	FTC3852	88
FS110301L	51	FTC248	72	FTC3299	158	FTC3535	111	FTC3739	62	FTC3853	100
FS110301L	55	FTC2582	72	FTC3320	158	FTC3537	111	FTC3741	62	FTC3853	112
FS110301L	56	FTC2687	66	FTC3321	158	FTC3539	111	FTC3743	62	FTC3855	100
FS110301L	57	FTC2725	72	FTC3370	73	FTC3541	111	FTC3745	62	FTC3855	112
FS110301ML	78	FTC2737	67	FTC3371	70	FTC3581	73	FTC3747	62	FTC3857	100
FS112301P	110	FTC2805	159	FTC3375	157	FTC3582	73	FTC3749	62	FTC3857	112





DEFENDER XD ALL VARIANTS

508

NUMERICAL INDEX

PART NO	PAGE	PART NO	PAGE	PART NO	PAGE	PART NO	PAGE	PART NO	PAGE	PART NO	PAGE
FTC3859	100	FTC3889	109	FTC4131	61	FTC4465	159	FTC4989	70	FTC5202	60
FTC3859	112	FTC3889	98	FTC4171	68	FTC4483	66	FTC4990	70	FTC5207	80
FTC3861	100	FTC3891	109	FTC4171	69	FTC4510	74	FTC4991	66	FTC5208	79
FTC3861	112	FTC3891	98	FTC4171	70	FTC4522	66	FTC4992	68	FTC5218	60
FTC3863	100	FTC3893	109	FTC4178	77	FTC4536	73	FTC4992	69	FTC5241	103
FTC3863	112	FTC3893	98	FTC4185	78	FTC4536	87	FTC4992	70	FTC5241	114
FTC3865	100	FTC3895	109	FTC4198	94	FTC4588	73	FTC4996	115	FTC5241	115
FTC3865	112	FTC3895	98	FTC4206	66	FTC4596	61	FTC4997	115	FTC5258	110
FTC3867	100	FTC3915	74	FTC4210	109	FTC4596	73	FTC4998	114	FTC5258	99
FTC3867	112	FTC3921	65	FTC4210	98	FTC4617	73	FTC4998	115	FTC5268	102
FTC3869	109	FTC3951	71	FTC4296	63	FTC4655	96	FTC5013	80	FTC5268	114
FTC3869	98	FTC3953	71	FTC4298	63	FTC4656	96	FTC5018	69	FTC5268	115
FTC3871	109	FTC3955	71	FTC4300	63	FTC4657	106	FTC5018	70	FTC5272	57
FTC3871	98	FTC3957	71	FTC4302	63	FTC4658	97	FTC5019	68	FTC5287	67
FTC3873	109	FTC3959	71	FTC4304	63	FTC4659	108	FTC5019	69	FTC5288	70
FTC3873	98	FTC3961	71	FTC4306	63	FTC4785	103	FTC5037	68	FTC5296	102
FTC3875	109	FTC3963	71	FTC4308	63	FTC4785	114	FTC5038	68	FTC5297	102
FTC3875	98	FTC3965	71	FTC4310	63	FTC4785	115	FTC5041	69	FTC5298	102
FTC3877	109	FTC3967	71	FTC4312	63	FTC4849	78	FTC5043	70	FTC5299	102
FTC3877	98	FTC3969	71	FTC4314	63	FTC4851	111	FTC5046	67	FTC5303	67
FTC3879	109	FTC3975	66	FTC4316	63	FTC4866	78	FTC5070	70	FTC5306	105
FTC3879	98	FTC3975	73	FTC4318	63	FTC4889	154	FTC5089	81	FTC5307	107
FTC3881	109	FTC4021	66	FTC4320	63	FTC4939	83	FTC5099	87	FTC5317	110
FTC3881	98	FTC4036	88	FTC4322	63	FTC4939	84	FTC5100	68	FTC5317	99
FTC3883	109	FTC4037	88	FTC4324	63	FTC4940	83	FTC5101	69	FTC5366	101
FTC3883	98	FTC4056	61	FTC4326	63	FTC4941	84	FTC5102	70	FTC5371	67
FTC3885	109	FTC4095	89	FTC4424	159	FTC4942	84	FTC5119	61	FTC5394	117
FTC3885	98	FTC4108	61	FTC4425	159	FTC4962	81	FTC5120	73	FTC5395	116
FTC3887	109	FTC4108	73	FTC4443	95	FTC4978	72	FTC5199	60	FTC5395	117
FTC3887	98	FTC4112	61	FTC4449	66	FTC4982	72	FTC5200	60	FTC5396	116





DEFENDER XD ALL VARIANTS

509

NUMERICAL INDEX

PART NO	PAGE	PART NO	PAGE	PART NO	PAGE	PART NO	PAGE	PART NO	PAGE	PART NO	PAGE
FTC5413	110	FTC766	85	FX112041L	327	IEE100050	87	IPF100000	413	IPM100080	494
FTC5413	111	FTC768	85	FX112041L	487	IEJ100010	82	IPF100010	412	IPN100000	411
FTC5413	99	FTC770	85	GG106251L	133	IEJ100030	82	IPF100030	465	IPN100020	53
FTC5414	104	FTC772	85	GG106251L	318	IEJ100050	82	IPG100000	301	IPN100040	424
FTC5414	115	FTC774	85	GG108251L	133	IEJ100070	82	IPH100000	415	IPP100010	282
FTC5420	77	FTC776	85	GG108251L	146	IEJ100090	82	IPH100010	415	IPP100030	414
FTC5422	77	FTC859	103	GS110501	74	IEJ100110	82	IPK100020	494	IPP100100	466
FTC5427	77	FTC859	115	HAD132740RPI	461	IEJ100130	82	IPK100030	405	IPP100110	466
FTC5436	76	FTC861	102	HAD132750RPI	461	IEJ100150	82	IPK100030	406	IPP100120	214
FTC56	102	FTC890	79	HAM4301L	253	IEJ100170	82	IPK100040	424	IPP100120	216
FTC726	85	FTC902	157	HAM4301L	280	IEJ100190	82	IPK100050	424	IPQ100000	246
FTC728	85	FTC942	103	HBA106790	494	IEJ100210	82	IPK100050	425	IPR100000	421
FTC730	85	FTC942	114	HCA106410	494	IEJ100230	82	IPK100060	424	IPR100000	492
FTC732	85	FTC942	115	HHD102280	461	IEJ100250	82	IPK100070	424	IPR100010	210
FTC734	85	FTC943	104	HHD102290	461	IEJ100270	82	IPK100090	494	IPS100000	313
FTC736	85	FTC943	115	HLD103500LOY	463	IEJ100290	82	IPK100100	459	IPS100000	319
FTC738	85	FTP8030S	187	HLD103510LOY	464	IEJ100310	82	IPK100110	459	IPS100000	494
FTC740	85	FX106047L	213	HLF105450LOY	464	IEJ100330	82	IPK100120	494	IPS100010	494
FTC742	85	FX106047L	217	HLW100000LOY	464	IEJ100350	82	IPK100130	494	IPS100030	262
FTC744	85	FX108041L	29	HVA101600	463	IEJ100370	82	IPK100140	494	IPS100030	263
FTC746	85	FX108047L	52	HVB100810	463	IEJ100390	82	IPK100170	383	IPS100040	494
FTC748	85	FX108047L	53	HWU100060	466	IEQ100000	87	IPL100000	411	IPT100010	494
FTC750	85	FX108047L	54	IAB100030	76	IGM100020	86	IPM100000	411	IPT100050	494
FTC752	85	FX110041	170	IAB100080	76	IPC100000	278	IPM100010	388	IPT100070	424
FTC754	85	FX110041	40	IAB100100	76	IPC100010	225	IPM100010	389	IPT100070	425
FTC756	85	FX110041L	28	ICB100070	77	IPC100010	282	IPM100010	405	IPT100080	495
FTC758	85	FX110047L	211	ICG100040	78	IPC100020	273	IPM100010	406	IPU100030	240
FTC760	85	FX110047L	412	ICN100000	83	IPC100030	307	IPM100020	419	IPU100080	208
FTC762	85	FX110047L	413	ICV100000	81	IPC100040	307	IPM100040	415	IPU100120	217
FTC764	85	FX112041L	326	IEC100020	83	IPD100000	280	IPM100070	494	IPU100130	209





DEFENDER XD ALL VARIANTS

510

NUMERICAL INDEX

PART NO	PAGE	PART NO	PAGE	PART NO	PAGE	PART NO	PAGE	PART NO	PAGE	PART NO	PAGE
IPU100140	213	IQI100010	213	■■■■■	217	IYF100010	405	JEC102960	196	JUF102790	221
IPU100150	213	IQJ100030	215	■■■■■	440	IYF100010	406	JFC102290	199	JUF102800	221
IPU100150	337	IQL100000	278	IRM100020	439	IYF100040	214	JGC100420	198	JUF102810	221
IPU100160	308	IQL100010	278	IRM100020	440	IYF100040	215	JHB100780	213	JUF102820	221
IPV100020	424	IQM100000	240	IRM100030	439	IYG100000	412	JHB100800	213	JUF102830	221
IPV100030	424	IQN100000	417	IRN100000	179	IYG100000	413	JJC100620	212	JUF102840	221
IPX100000	309	IQN100010	203	IRN100000	213	IYH100020	419	JJH100030	212	JUF102850	221
IPX100000	310	IQN100020	223	IRN100030	215	IYH100030	240	JJH100040	212	JUF102860	221
IPX100010	309	IQO100000	203	IRO100000	307	IYN100000	495	JJH100050	212	JUF102870	221
IPX100010	310	IQP100020	413	IRP100000	210	IYP100000	412	JJH100060	212	JUF102880	221
IPX100020	309	IQS100000	412	IRP100010	208	IYP100010	306	JJH100070	212	JUF102890	221
IPX100040	225	IQS100000	413	IRQ100000	211	IYP100010	307	JKB100440	201	JUF102900	223
IPX100050	311	IQT100000	412	IRU100000	264	IYP100030	217	JKB100450	201	JUK100050	221
IPX100060	311	IQU100000	415	IRX100000	495	IYQ100000	391	JMT100000	224	JUK100060	221
IPX100070	311	IQV100000	413	IRX100010	495	IYR100000	79	JOA100080	225	JUK100070	221
IQB100000	426	IQV100010	412	IRY100000	495	IYR100010	78	JQB101740	223	JUP100290	223
IQC100000	426	IQZ100000	417	IRZ100000	148	IYS100000	402	JQB101780	223	JUU100670	222
IQD100010	410	IRB100010	208	IYA100000	213	IYS100010	426	JQB101850	223	JUU100720	223
IQE100000	410	IRC100030	214	IYA100010	213	IYS100020	426	JQD100470	223	KBQ100000	482
IQE100010	251	IRE100000	495	IYB100000	375	IYX100010	296	JQI100060	223	KHW100010	124
IQF100010	258	IRF100000	210	IYB100000	376	IYX100020	296	JQL100100	225	KVB100410	325
IQG100010	299	IRG100050	211	IYC100000	214	IZB100000	217	JQL100110	225	KVB100420	325
IQG100020	299	IRG100070	211	IYC100000	215	IZM100000	441	JRB101040	218	KVB100460	325
IQG100030	307	IRG100090	210	IYC100020	208	IZN100000	417	JRF100640	219	KVB100470	325
IQG100040	307	IRG100100	214	IYC100020	210	IZN100000	466	JRJ100700	219	KVB100480	325
IQG100050	307	IRH100000	213	IYC100030	211	IZS100000	212	JRP100070	218	KVD100070	322
IQG100060	307	IRH100010	213	IYC100070	213	IZS100010	213	JTB100350	220	KVD100150	323
IQG100070	307	IRH100040	212	IYC100080	213	IZS100020	213	JUE110210	221	KVD100240	324
IQG100080	307	■■■■■	217	IYC100090	211	IZS100030	213	JUE110220	223	KVD100660	325
IQG100090	307	■■■■■	217	IYF100000	438	JAE100130	177	JUF102780	221	KVD100670	325





DEFENDER XD ALL VARIANTS

511

NUMERICAL INDEX

PART NO	PAGE	PART NO	PAGE	PART NO	PAGE	PART NO	PAGE	PART NO	PAGE	PART NO	PAGE
KVF100160	325	LSF100040L	25	MRC5527	335	MRC8626	402	MTC1650	148	MTC3874	430
KVF100170	325	LUF100430	21	MRC5527	336	MRC8626	405	MTC2103	306	MTC4049	299
KVU101360	325	LYH100500	28	MRC5527	373	MRC8626	406	MTC2106	373	MTC4164	384
KVU101370	325	LYQ100050	66	MRC5527	491	MRC8642	196	MTC2107	373	MTC4165	384
KVU101450	325	LYQ100090	61	MRC5528	371	MRC8717	196	MTC2224	373	MTC4220	348
KVU101460	325	MJQ100100	43	MRC5757	371	MRC9043	299	MTC2225	373	MTC4290	366
KVU101470	325	MLH100410	165	MRC5854	301	MRC9244	351	MTC2640	451	MTC4384	372
KVU101480	325	MLH100410	166	MRC6027	382	MRC9377	355	MTC2805	199	MTC4385	372
KVU101490	325	ML106015	175	MRC6028	382	MRC9378	355	MTC2808	449	MTC4771	133
KVU101500	325	MRC1813	464	MRC6051	353	MRC9417	367	MTC2827	451	MTC4771	210
KVU101510	325	MRC1979	428	MRC6051	354	MRC9420	333	MTC2864	356	MTC4771	213
KVU101520	325	MRC1980	364	MRC6052	353	MRC9423	299	MTC2864	357	MTC5083	428
KVU101530	325	MRC4037	355	MRC6052	354	MRC9431	367	MTC3000	430	MTC5212	356
KVU101540	325	MRC4473	434	MRC6270	351	MRC9431	369	MTC3001	430	MTC5212	357
KVU101550	325	MRC4473	436	MRC7253	332	MRC9438	342	MTC3032	472	MTC5458	449
KVU101560	325	MRC4522	299	MRC7281	201	MRC9438	343	MTC3042	472	MTC5459	449
KVU101570	325	MRC4619	434	MRC7283	451	MRC9438	345	MTC3051	372	MTC5536	367
KVU101580	325	MRC4619	478	MRC8225	294	MRC9570	160	MTC3051	472	MTC5608	372
KVU101590	325	MRC5153	342	MRC8225	296	MRC9571	160	MTC3052	372	MTC5609	372
K315091	395	MRC5153	344	MRC8377	196	MRC9734	355	MTC3052	472	MTC5760	199
LBB109560	18	MRC5153	346	MRC8378	196	MRC9735	355	MTC3063	299	MTC5851	447
LBB111620	18	MRC5525	246	MRC8388	339	MRC9833	407	MTC3203	407	MTC5851	448
LGJ100880	32	MRC5525	300	MRC8420	387	MRC9833	408	MTC3203	408	MTC6006	199
LHH100660	23	MRC5525	342	MRC8491	299	MRC9922	199	MTC3499	132	MTC6007	199
LHP100680	28	MRC5525	343	MRC8499	302	MRC9998	196	MTC3523	451	MTC6080	451
LHV100150	28	MRC5525	344	MRC8524	470	MSO100020	43	MTC3557	407	MTC6115	277
LJC100270	35	MRC5525	345	MRC8584	452	MSP100980	40	MTC3557	408	MTC6142	446
LKC102590	46	MRC5525	346	MRC8585	452	MTC1042	364	MTC3611	148	MTC6143	446
LLO100000	37	MRC5525	374	MRC8626	335	MTC1078	133	MTC3705LOY	451	MTC6194	199
LSB102610	25	MRC5527	318	MRC8626	336	MTC1382	133	MTC3801	132	MTC6206	361





DEFENDER XD ALL VARIANTS

512

NUMERICAL INDEX

PART NO	PAGE	PART NO	PAGE	PART NO	PAGE	PART NO	PAGE	PART NO	PAGE	PART NO	PAGE
MTC6207	361	MTC9967	461	MUC6519	374	MWC1898	359	MWC8648	389	MXC6413	433
MTC6208	361	MTC9968	278	MUC6519	375	MWC2129	374	MWC9313	479	MXC7264	473
MTC6209	361	MTC9968	452	MUC6519	376	MWC2129	375	MWC9313	480	MXC7846	356
MTC6210	361	MUC1049	368	MUC7000	133	MWC2129	376	MWC9322	449	MXC7847	356
MTC6211	361	MUC1049	369	MUC7505	145	MWC2139	429	MWC9338PMA	446	MXC8157	274
MTC6214	362	MUC1237	335	MUC7506	146	MWC2314	356	MWC9339PMA	446	MXC8157	275
MTC6215	362	MUC1402	455	MUC7598	449	MWC2314	357	MWC9340	373	MXC8304	299
MTC6221	361	MUC1512	433	MUC7599	449	MWC2567	300	MWC9917	341	MXC8556	337
MTC6222	362	MUC1582	450	MUC7907	357	MWC2567	333	MWC9917	343	MXC8556	338
MTC6223	362	MUC1961	365	MUC7911	357	MWC2938	374	MWC9918LCS	341	MXC8709	388
MTC6276	361	MUC2417	53	MUC7912	357	MWC3136	160	MWC9918LCS	343	MXC8709	389
MTC6278	361	MUC2440	434	MUC7947	340	MWC3320	374	MXC1394LUH	457	MXC9455	367
MTC6376	428	MUC2440	436	MUC7947	462	MWC3321	374	MXC1395LUH	457	MXC9982	356
MTC6382	201	MUC2442	434	MUC8730	377	MWC3339	350	MXC1790	365	MXC9982	357
MTC6504	370	MUC2442	436	MUC8730	378	MWC4712	363	MXC1848	265	MXC9983	356
MTC6505	370	MUC2594	356	MUC8731	377	MWC4718	361	MXC2047	365	MXC9983	357
MTC6827	347	MUC2594	357	MUC8731	378	MWC4719	361	MXC2913	354	MYF100830	178
MTC6871	452	MUC3610	401	MUC8737	371	MWC4746	361	MXC2932	353	NAD101380	56
MTC6872	335	MUC3610	405	MUC8738	371	MWC4747	361	MXC2932	354	NAI100000	56
MTC7549	362	MUC3610	406	MUC8739	371	MWC4752	361	MXC3130PUB	405	NA105011L	306
MTC7550	362	MUC3733	356	MUC8746	371	MWC4753	361	MXC3130PUB	406	NA106011	301
MTC7611	362	MUC3733	357	MUC8754	461	MWC4757	361	MXC4657	464	NA106011	303
MTC7737	199	MUC3746	361	MUC9220	379	MWC4790	361	MXC5212	461	NA106011	307
MTC7878	383	MUC3986	431	MVC100040	43	MWC4791	361	MXC5497	468	NCD100090	32
MTC7879	383	MUC3987	431	MVD100000	289	MWC5759	365	MXC5549	365	NC112041	123
MTC8185	375	MUC4138	333	MWC1691	332	MWC6106PCB	461	MXC6084PMA	446	NC112041	129
MTC8357	432	MUC4289	357	MWC1736	369	MWC6450	365	MXC6292LNF	479	NC112041	137
MTC8358	432	MUC4290	357	MWC1737	369	MWC7635	461	MXC6338	339	NC112041	138
MTC9914	270	MUC4801	452	MWC1820	374	MWC7636	461	MXC6402	427	NH103041L	306
MTC9962	461	MUC6457	351	MWC1821	374	MWC8648	388	MXC6412	433	NH104041L	239





DEFENDER XD ALL VARIANTS

513

NUMERICAL INDEX

PART NO	PAGE	PART NO	PAGE	PART NO	PAGE	PART NO	PAGE	PART NO	PAGE	PART NO	PAGE
NH104041L	247	NH106041L	291	NH108041L	56	NN106021	431	NRC5502	144	NRC7422	132
NH104041L	278	NH106041L	298	NH108041L	89	NN106021	432	NRC5602	127	NRC7435	322
NH104041L	294	NH106041L	301	NH108044	351	NN106021	433	NRC5602	128	NRC7435	323
NH104041L	32	NH106041L	306	NH604041L	145	NN108021	133	NRC5603	127	NRC7435	324
NH104044	446	NH106041L	308	NH604041L	364	NN108021	171	NRC5603	128	NRC7436	322
NH105041	132	NH106041L	324	NH605041L	120	NN108021	196	NRC5627	330	NRC7436	323
NH105041	165	NH106041L	350	NH605041L	121	NN108021	237	NRC5627	331	NRC7436	324
NH105041	166	NH106041L	351	NH605041L	122	NN108021	310	NRC5674	129	NRC7459	192
NH105041	187	NH106041L	365	NJ108061L	347	NN108021	311	NRC5886	331	NRC7459	193
NH105041	434	NH106041L	369	NK106081	337	NN108021	351	NRC6097	164	NRC7636	131
NH105041L	234	NH106041L	379	NK106081	338	NRC2051	487	NRC62	163	NRC7704	131
NH105041L	256	NH106041L	382	NN105011	265	NRC2089	178	NRC62	164	NRC7827	143
NH105041L	257	NH106041L	74	NN105011	278	NRC2089	265	NRC6658	129	NRC7835	132
NH105041L	286	NH106045	157	NN105011	304	NRC2383	33	NRC6799	148	NRC7836	132
NH105041L	301	NH106047L	315	NN105011	305	NRC2652	173	NRC6951	373	NRC7869	146
NH105041L	366	NH106047L	316	NN105011	306	NRC2744	160	NRC6994	328	NRC7874	152
NH105041L	383	NH106047L	317	NN105011L	216	NRC4251	154	NRC7009	331	NRC7874	153
NH105041L	447	NH108041L	160	NN105021	301	NRC4251	155	NRC7053	373	NRC7981	127
NH105041L	452	NH108041L	163	NN105021L	451	NRC4251	156	NRC7127	131	NRC7981	128
NH106041L	143	NH108041L	172	NN105021L	480	NRC4317	128	NRC7131	322	NRC8332	202
NH106041L	154	NH108041L	298	NN106011	194	NRC4318	128	NRC7131	323	NRC8605	482
NH106041L	155	NH108041L	310	NN106021	214	NRC4475	143	NRC7131	324	NRC8734	148
NH106041L	156	NH108041L	311	NN106021	215	NRC4515	119	NRC7164	322	NRC8955	176
NH106041L	192	NH108041L	318	NN106021	217	NRC4661	324	NRC7164	323	NRC9121	143
NH106041L	195	NH108041L	319	NN106021	293	NRC4693	373	NRC7164	324	NRC9239	176
NH106041L	196	NH108041L	344	NN106021	315	NRC4693	381	NRC7165	322	NRC9246	116
NH106041L	203	NH108041L	403	NN106021	333	NRC4757	164	NRC7165	323	NRC9246	117
NH106041L	248	NH108041L	404	NN106021	351	NRC4765	163	NRC7165	324	NRC9338	295
NH106041L	249	NH108041L	407	NN106021	41	NRC4967	271	NRC7372	172	NRC9379	214
NH106041L	271	NH108041L	408	NN106021	430	NRC5220	143	NRC7387	131	NRC9446	120





DEFENDER XD ALL VARIANTS

514

NUMERICAL INDEX

PART NO	PAGE	PART NO	PAGE	PART NO	PAGE	PART NO	PAGE	PART NO	PAGE	PART NO	PAGE
NRC9448	122	NTC1175	153	NTC4618	126	NTC8544	148	NY105041L	215	NY106047L	209
NRC9449	122	NTC1176	152	NTC5017	150	NTC8836	152	NY105041L	217	NY106047L	245
NRC9455	154	NTC1176	210	NTC5027L	213	NTC8848	131	NY105041L	290	NY106047L	299
NRC9456	155	NTC1177	152	NTC5401	328	NTC9055	147	NY105041L	304	NY106047L	300
NRC9456	156	NTC1177	153	NTC5648	184	NTC9068	131	NY105041L	388	NY106047L	303
NRC9679	163	NTC1210	146	NTC5648	185	NTC9359	144	NY105041L	389	NY106047L	308
NRC9682	163	NTC1518	170	NTC5708	151	NTC9360	144	NY105041L	397	NY106047L	336
NRC9695	322	NTC1612	164	NTC5708	153	NTC9416	326	NY105041L	403	NY106047L	337
NRC9696	322	NTC1775	138	NTC6106	127	NTC9461	119	NY105041L	404	NY106047L	338
NRC9698	322	NTC1888	123	NTC6776	123	NTC9462	119	NY105041L	464	NY106047L	341
NRC9700	127	NTC1888	129	NTC6781	119	NTC9726	151	NY105041L	477	NY106047L	342
NRC9708	171	NTC2156	164	NTC6828	123	NTC9726	153	NY105041L	89	NY106047L	343
NRC9708	172	NTC2159	163	NTC6837	123	NT108041L	255	NY106041	344	NY106047L	344
NRC9711	131	NTC2337	165	NTC6847	191	NT108041L	292	NY106041	346	NY106047L	345
NRC9713	99	NTC2338	165	NTC7161	195	NT108041L	89	NY106041	381	NY106047L	346
NRC9729	119	NTC2655	165	NTC7294	402	NT112041L	102	NY106041	401	NY106047L	349
NRC9742	137	NTC2655	166	NTC7331	119	NT112041L	157	NY106041	463	NY106047L	365
NRC9743	137	NTC2676	165	NTC7396	118	NT605041L	147	NY106041	78	NY106047L	367
NRC9770	163	NTC2676	166	NTC7829	481	NT607041L	147	NY106041L	191	NY106047L	368
NRC9770	164	NTC2681	164	NTC7829	482	NT614041L	134	NY106041L	392	NY106047L	371
NRC9770	167	NTC2837	164	NTC7933	146	NUC100340	31	NY106041L	405	NY106047L	372
NRC9770	168	NTC3346	170	NTC7961	151	NV108041	184	NY106041L	406	NY106047L	373
NRC9770	169	NTC3863	261	NTC7968	151	NV108041L	183	NY106041L	407	NY106047L	380
NRC9771	163	NTC4414	150	NTC8011	148	NV108041L	185	NY106041L	408	NY106047L	388
NRC9771	164	NTC4571	120	NTC8202	123	NV114047	119	NY106041L	410	NY106047L	389
NRC9771	167	NTC4571	121	NTC8242	154	NV116041	123	NY106041L	412	NY106047L	41
NRC9771	168	NTC4571	122	NTC8242	155	NV116047	119	NY106041L	430	NY106047L	431
NRC9771	169	NTC4571	127	NTC8242	156	NV116047	126	NY106047L	192	NY106047L	432
NTC1175	147	NTC4571	128	NTC8453	153	NY104041L	384	NY106047L	193	NY106047L	433
NTC1175	152	NTC4601	167	NTC8454	153	NY105041L	214	NY106047L	194	NY106047L	438





DEFENDER XD ALL VARIANTS

515

NUMERICAL INDEX

PART NO	PAGE	PART NO	PAGE	PART NO	PAGE	PART NO	PAGE	PART NO	PAGE	PART NO	PAGE
NY106047L	453	NY108041L	410	NY110047L	378	NY120041L	124	PHB102610	175	PRC2087	277
NY106047L	475	NY108041L	413	NY110047L	379	NY120041L	125	PHB102620	175	PRC2087	279
NY106047L	488	NY108041L	421	NY110047L	381	NY120041L	83	PHE100490	177	PRC2268	278
NY106047L	491	NY108041L	429	NY110047L	421	NY120041L	84	PHH100300	177	PRC2268	294
NY108041L	119	NY108041L	434	NY110047L	442	NY604041L	137	PHH100310	175	PRC2471	312
NY108041L	124	NY108041L	438	NY110047L	485	NY605041L	147	PHH100320	175	PRC2911	86
NY108041L	125	NY108041L	461	NY110047L	486	NY606041L	109	PHH100330	179	PRC2979	295
NY108041L	129	NY108041L	472	NY110047L	492	NY606041L	111	PHL100090	175	PRC2979	33
NY108041L	131	NY108041L	475	NY110047L	493	NY606041L	98	PHO100000	175	PRC2980	295
NY108041L	147	NY108041L	478	NY110051L	124	NY608041	134	PJA100010	179	PRC2980	296
NY108041L	150	NY108041L	479	NY110051L	125	NY608041L	119	PJO100030	179	PRC3025	248
NY108041L	152	NY108041L	490	NY110051L	442	NY608041L	330	PJR100040	175	PRC3025	250
NY108041L	164	NY108041L	492	NY110051L	443	NY608041L	331	PKH100000	179	PRC3025	295
NY108041L	189	NY108041L	493	NY110051L	444	NZ606041L	92	PKH100010	179	PRC3025	296
NY108041L	300	NY108041L	86	NY112041L	127	NZ606041L	93	PKX100050	175	PRC3180	351
NY108041L	327	NY108041L	89	NY112041L	128	NZ606041L	94	PMM100080	46	PRC3180	79
NY108041L	342	NY108051L	131	NY112041L	134	NZ606041L	95	PQG100290	29	PRC3284	306
NY108041L	344	NY108051L	310	NY112041L	333	PA105161L	143	PQR101080	55	PRC3359	39
NY108041L	346	NY108051L	311	NY112041L	377	PA120801L	74	PQR101090	55	PRC3460	303
NY108041L	355	NY110041L	127	NY112041L	378	PBP101130	191	PQZ100020	52	PRC3505	39
NY108041L	359	NY110041L	128	NY112041L	401	PBP101140	191	PQZ100020	53	PRC3615	315
NY108041L	372	NY110041L	237	NY112041L	491	PC108241	359	PQZ100030	54	PRC3671	312
NY108041L	374	NY110041L	426	NY116041L	110	PC108291L	160	PRC1824	299	PRC3672	312
NY108041L	380	NY110047	74	NY116041L	111	PC112291	146	PRC1825	299	PRC3875	272
NY108041L	381	NY110047L	123	NY116041L	129	PEP102840	29	PRC2078	277	PRC4276	312
NY108041L	392	NY110047L	138	NY116041L	99	PEP102840	39	PRC2078	279	PRC4276	314
NY108041L	400	NY110047L	329	NY116051L	124	PET100790	29	PRC2079	277	PRC4277	312
NY108041L	402	NY110047L	330	NY116051L	125	PGG101210	223	PRC2079	279	PRC4297	146
NY108041L	407	NY110047L	331	NY116051L	126	PHB102510	177	PRC2080	277	PRC4326	276
NY108041L	408	NY110047L	377	NY120041L	119	PHB102520	175	PRC2080	279	PRC4326	279





DEFENDER XD ALL VARIANTS

516

NUMERICAL INDEX

PART NO	PAGE	PART NO	PAGE	PART NO	PAGE	PART NO	PAGE	PART NO	PAGE	PART NO	PAGE
PRC4373	306	PRC6387	31	PS106321L	126	RFD100000	103	RRC3741	298	RRC4879	362
PRC4411	292	PRC7173	247	PS106321L	129	RFD100000	114	RRC3763	298	RRC4960	304
PRC4412	253	PRC7314	294	PS106321L	137	RFD100000	115	RRC3767	298	RRC4965	304
PRC4412	280	PRC7314	296	PS603041L	144	RJ608353	361	RRC3925	385	RRC4966	304
PRC4449	274	PRC7370	272	PYC101100	146	RJ612183	415	RRC3925	386	RRC5034	358
PRC4449	279	PRC7375	294	PYC101120L	189	RKB101060	127	RRC3925	401	RRC5035	358
PRC4454	274	PRC7375	296	PYC101120L	190	RNF100090	120	RRC3925	459	RRC5074	304
PRC4454	279	PRC7386	286	QEH102390	141	RNF100090	121	RRC3945	386	RRC5110	304
PRC4795	287	PRC8171	332	QEH102490	140	RNF100090	122	RRC3966	388	RRC5110	494
PRC4795	488	PRC8230	132	QEU101060	99	RNF100090	127	RRC3966	389	RRC5205	402
PRC4826	253	PRC8241	241	QMB102060	131	RNF100090	128	RRC3966	400	RRC5343	303
PRC4890	288	PRC8495	312	QMI100000	131	RN608223	390	RRC3966	401	RRC5344	303
PRC5003	247	PRC8558	318	QRD100010	217	RN608223	425	RRC3966	424	RRC5347	303
PRC5007	266	PRC8559	312	QRD100010	279	RRC1986	301	RRC3966	425	RRC5348	303
PRC5273	317	PRC8559	314	QRD100020	225	RRC2128	302	RRC3966	438	RRC5409	329
PRC5477	306	PRC8559	318	QRF100880	132	RRC2187	301	RRC3966	478	RRC5410	329
PRC5478	306	PRC8559	319	QRG100100	132	RRC2258	303	RRC3967	377	RRC5506	277
PRC5483	306	PRC8709	163	QRS100010	494	RRC2298	303	RRC3967	378	RRC5507	277
PRC5485	297	PRC8877	286	QTB102860	131	RRC2615	301	RRC3967	401	RRC5513LOY	464
PRC5491	306	PRC9671	225	QZB100060	131	RRC2662	301	RRC3979	423	RRC5514LOY	464
PRC5582	265	PRC9671	286	RA608123L	198	RRC2742	301	RRC3980	423	RRC5515LOY	464
PRC5590	297	PRC9671	287	RA610183	287	RRC3237	485	RRC3983	423	RRC5668	210
PRC5592	247	PRC9671	488	RA610183	347	RRC3237	486	RRC4303	196	RRC5813	475
PRC5592	306	PRC9916	231	RA610236	223	RRC3582	277	RRC4304	196	RRC5813	476
PRC5681	179	PS102081	148	RA612157	381	RRC3588	388	RRC4305	196	RRC5814	475
PRC5681	210	PS102081L	144	RA612183	301	RRC3588	389	RRC4418	166	RRC5814	476
PRC5744	315	PS103101L	359	RA612237	371	RRC3674	388	RRC4582	304	RRC6195	328
PRC6021	295	PS104161	160	RA612346	401	RRC3674	389	RRC4583	478	RRC6681	328
PRC6022	295	PS106201	146	RBI100000	119	RRC3690	301	RRC4810	362	RRC6682	328
PRC6239	271	PS106321L	123	RDB100070	119	RRC3691	301	RRC4878	362	RRC6683	328





DEFENDER XD ALL VARIANTS

517

NUMERICAL INDEX

PART NO	PAGE	PART NO	PAGE	PART NO	PAGE	PART NO	PAGE	PART NO	PAGE	PART NO	PAGE
RRC6818	200	RRC7420PMA	459	RRC8241LCS	444	RRC8398	276	RRC8567	318	RRC8642	52
RRC6999	334	RRC7465	215	RRC8242LCS	443	RRC8400	428	RRC8567	319	RRC8643	290
RRC7000	334	RRC7575	362	RRC8266	304	RRC8403	244	RRC8572LOY	463	RRC8645	261
RRC7010	459	RRC7577	361	RRC8285	277	RRC8404	347	RRC8573	401	RRC8647	481
RRC7011	459	RRC7578	362	RRC8287	228	RRC8410	479	RRC8574	401	RRC8652	475
RRC7047	215	RRC7606	402	RRC8288	228	RRC8413	478	RRC8576	479	RRC8657	401
RRC7152	298	RRC7870	299	RRC8333	401	RRC8421	300	RRC8581	400	RRC8657	478
RRC7177	215	RRC7896LOY	463	RRC8341	245	RRC8421	475	RRC8583	400	RRC8657	479
RRC7178	215	RRC7897LOY	463	RRC8342	245	RRC8422	253	RRC8585	475	RRC8658	478
RRC7179	215	RRC7898	463	RRC8343	245	RRC8429	429	RRC8586	475	RRC8662	478
RRC7180	214	RRC7899	463	RRC8353	298	RRC8443	428	RRC8597	438	RRC8664	464
RRC7180	215	RRC7932	388	RRC8359	298	RRC8459	304	RRC8599	277	RRC8665	464
RRC7181	214	RRC7932	389	RRC8360	298	RRC8463	463	RRC8600	285	RRC8666	289
RRC7181	215	RRC7945	478	RRC8361PMA	454	RRC8481	463	RRC8602	407	RRC8666	340
RRC7182	214	RRC8002	388	RRC8362PMA	454	RRC8510	479	RRC8602	408	RRC8666	438
RRC7182	215	RRC8002	389	RRC8363	315	RRC8512	349	RRC8602	438	RRC8678	229
RRC7183	215	RRC8055	249	RRC8364	315	RRC8516	443	RRC8610	401	RRC8679	229
RRC7184	215	RRC8055	251	RRC8365	340	RRC8516	444	RRC8610	478	RRC8681	309
RRC7310	356	RRC8056PMA	454	RRC8371	423	RRC8522	401	RRC8610	479	RRC8681	310
RRC7310	357	RRC8057PMA	454	RRC8376	478	RRC8524	401	RRC8611	401	RRC8681	311
RRC7316	448	RRC8142	389	RRC8378	340	RRC8525	401	RRC8618	258	RRC8682	309
RRC7318	448	RRC8167	479	RRC8379	402	RRC8526	234	RRC8621	479	RRC8686	303
RRC7319	448	RRC8167	480	RRC8380	402	RRC8527	233	RRC8622	438	RRC8687	303
RRC7320	448	RRC8187	473	RRC8381	349	RRC8528	234	RRC8624	248	RRC8689	302
RRC7323	448	RRC8188	473	RRC8385	478	RRC8529	362	RRC8629	261	RRC8692	246
RRC7327	448	RRC8220	400	RRC8386	438	RRC8530	362	RRC8630	265	RRC8693	234
RRC7340	451	RRC8225	300	RRC8387	438	RRC8531	298	RRC8631	268	RRC8695	301
RRC7372	214	RRC8226	300	RRC8388	438	RRC8543	401	RRC8632	268	RRC8696	301
RRC7372	215	RRC8234	400	RRC8389	438	RRC8544	401	RRC8637	196	RRC8699	301
RRC7419PMA	459	RRC8235	400	RRC8392	478	RRC8560	54	RRC8638	196	RRC8700	363





DEFENDER XD ALL VARIANTS

518

NUMERICAL INDEX

PART NO	PAGE	PART NO	PAGE	PART NO	PAGE	PART NO	PAGE	PART NO	PAGE	PART NO	PAGE
RRC8702	257	RRC8801	244	RTC3650	315	RTC4400	135	RTC478310	23	RU608313L	339
RRC8703	337	RRC8802	244	RTC3744	335	RTC4401	135	RTC4825	140	RU608313L	340
RRC8703	338	RRC8803	244	RTC3744	336	RTC4404	136	RTC4825	141	RU608313L	462
RRC8705	236	RRC8804	244	RTC3744	347	RTC4405	136	RTC4826	140	RU612123	299
RRC8706	246	RRC8806	309	RTC3744	355	RTC4406	136	RTC4826	141	RU612183	463
RRC8707	475	RRC8806	311	RTC3744	446	RTC4407	136	RTC5011	305	RU612373L	353
RRC8709	439	RRC8808	53	RTC3745	175	RTC4408	136	RTC5298	305	RU612373L	354
RRC8710	440	RRC8809	53	RTC3745	197	RTC4409	136	RTC5597	487	RU612373L	374
RRC8724	269	RRC8810	248	RTC3745	230	RTC4410	136	RTC5841	101	RU612373L	379
RRC8725	429	RRC8813	253	RTC3745	234	RTC4481	252	RTC5869	137	RU612373L	388
RRC8726	429	RRC8817	234	RTC3745	250	RTC4481	253	RTC5870	137	RU612373L	389
RRC8728	256	RRC8818	233	RTC3745	277	RTC4481	280	RTC5938	170	RU612373L	400
RRC8730	259	RRC8819	234	RTC3745	334	RTC4490	80	RTC610	196	RU612373L	456
RRC8736	271	RRC8820	266	RTC3745	347	RTC4497	253	RTC613	256	RU612373L	478
RRC8740	478	RR612063	388	RTC3745	349	RTC4497	280	RTC613	257	RU613253L	424
RRC8742	478	RR612063	389	RTC3745	385	RTC4498	253	RTC615	464	RU613253L	425
RRC8745	388	RTC1526	157	RTC3745	386	RTC4498	280	RTC6159	356	RU613373L	424
RRC8745	389	RTC1526	158	RTC3745	446	RTC4501	253	RTC6205	341	RU613373L	425
RRC8760	438	RTC1526	159	RTC3745	447	RTC4501	280	RTC6205	343	SA106301	491
RRC8761	53	RTC222	315	RTC3745	448	RTC4503	252	RTC6205	345	SA108201L	90
RRC8763	388	RTC2726	112	RTC3748	446	RTC4503	253	RTC6206	341	SE103121	480
RRC8763	389	RTC2825	23	RTC3878	278	RTC4503	280	RTC6206	343	SE103161L	307
RRC8772	423	RTC2993	24	RTC3878	294	RTC4587	94	RTC6206	345	SE104124L	446
RRC8775	289	RTC299310	24	RTC3959	315	RTC4587	95	RTC6564	35	SE104161L	239
RRC8781	289	RTC3022	370	RTC4198	134	RTC4682	312	RTC6751	67	SE104161L	247
RRC8788	261	RTC3095	100	RTC4393	135	RTC4682	313	RTC6826	335	SE104161L	417
RRC8789	261	RTC3095	113	RTC4394	135	RTC4685	430	RU608123L	332	SE104201L	313
RRC8796	439	RTC3397	80	RTC4395	135	RTC4738	131	RU608183L	299	SE104201L	319
RRC8799	289	RTC3458	92	RTC4398	135	RTC4771	237	RU608183L	424	SE104201L	494
RRC8800	292	RTC3458	93	RTC4399	135	RTC4783	23	RU608253L	423	SE105121L	164





DEFENDER XD ALL VARIANTS

519

NUMERICAL INDEX

PART NO	PAGE	PART NO	PAGE	PART NO	PAGE	PART NO	PAGE	PART NO	PAGE	PART NO	PAGE
SE105121L	256	SE105204	453	SE108201L	340	SH106121L	209	SH106251L	192	SH108251	380
SE105121L	257	SE105251	214	SE108251	364	SH106121L	298	SH106251L	299	SH108251	381
SE105121L	286	SE105251	215	SE108404L	351	SH106121L	333	SH106301	143	SH108251	438
SE105121L	383	SE105251	464	SE108501	364	SH106161	143	SH106301	215	SH108251	471
SE105121L	447	SE105301	388	SE110401	356	SH106161	148	SH106301L	248	SH108251	490
SE105121L	448	SE105301	389	SE604071L	428	SH106161	343	SH106301L	359	SH108251L	185
SE105161	214	SE105301L	203	SE808244	199	SH106161	345	SH106351	353	SH108251L	300
SE105161	215	SE105301L	214	SF104164	428	SH106161	368	SH106351	354	SH108251L	392
SE105161	216	SE105351L	174	SF106201L	351	SH106161L	191	SH106401	303	SH108251L	407
SE105161L	132	SE105401	132	SF106201L	88	SH106161L	196	SH106451	301	SH108251L	408
SE105161L	165	SE106161	312	SF108251L	78	SH106161L	298	SH108121L	310	SH108251L	461
SE105161L	166	SE106161	475	SG103084	199	SH106161L	341	SH108121L	311	SH108251L	488
SE105161L	175	SE106161L	308	SG104165	278	SH106161M	73	SH108141L	65	SH108301L	353
SE105161L	233	SE106161L	312	SG104165	294	SH106165	463	SH108161L	189	SH108301L	354
SE105161L	290	SE106161L	351	SH104081	199	SH106201	194	SH108161L	196	SH108401L	359
SE105161L	305	SE106161L	367	SH104101L	411	SH106201	195	SH108161L	30	SH108501L	355
SE105161L	306	SE106161L	369	SH105101	411	SH106201	342	SH108161L	461	SH110161L	131
SE105161L	347	SE106201	401	SH105121	132	SH106201	343	SH108167L	256	SH110201	385
SE105161L	366	SE106201L	336	SH105121L	217	SH106201	344	SH108167L	257	SH110201	386
SE105164L	199	SE106201L	342	SH105121L	334	SH106201	345	SH108201	172	SH110201L	379
SE105165L	296	SE106201L	382	SH105161L	253	SH106201	346	SH108201	475	SH110201L	381
SE105165L	488	SE106201L	390	SH105161L	410	SH106201	373	SH108201L	298	SH110201L	410
SE105201	278	SE106251	337	SH105161L	434	SH106201	381	SH108201L	344	SH110251L	120
SE105201L	255	SE106251	338	SH105161L	480	SH106201	386	SH108201L	346	SH110251L	121
SE105201L	265	SE106251	438	SH105201L	422	SH106201L	324	SH108201L	371	SH110251L	122
SE105201L	290	SE106251L	430	SH105201L	451	SH106204	455	SH108201L	410	SH110251L	127
SE105201L	304	SE106251L	431	SH105251L	419	SH106205L	187	SH108205	478	SH110251L	128
SE105201L	417	SE106251L	433	SH105551	234	SH106207L	315	SH108251	160	SH110251L	131
SE105201L	452	SE108201	475	SH106121L	157	SH106251	407	SH108251	183	SH110251L	207
SE105204	452	SE108201L	302	SH106121L	192	SH106251	408	SH108251	184	SH110251L	330





DEFENDER XD ALL VARIANTS

520

NUMERICAL INDEX

PART NO	PAGE	PART NO	PAGE	PART NO	PAGE	PART NO	PAGE	PART NO	PAGE	PART NO	PAGE
SH110251L	466	STC1044	134	STC1530	161	STC2421	392	STC2427	393	STC2452	396
SH110351L	123	STC1045	134	STC1532	90	STC2421	410	STC2427	402	STC2452	415
SH112201	194	STC1086	29	STC1533	90	STC2422	392	STC2427	422	STC2453	391
SH112201	326	STC1120	196	STC1536	90	STC2422	403	STC2428	224	STC2453	392
SH112251L	327	STC1130	83	STC1538	90	STC2422	404	STC2428	391	STC2454	241
SH112505	102	STC1130	84	STC1545N	59	STC2422	410	STC2428	393	STC2456	241
SH112505	157	STC1156	113	STC1601	159	STC2423	394	STC2428	396	STC2457	242
SH214141	77	STC1180	467	STC1628	64	STC2423	417	STC2428	399	STC2458	242
SH214141	78	STC1264	158	STC1675	20	STC2423	419	STC2432	394	STC2459	242
SH406061L	99	STC1265	158	STC1694	45	STC2424	293	STC2433	394	STC2461	242
SH604081L	145	STC1266	157	STC1695	45	STC2424	392	STC2434	394	STC2462	480
SJ106160	415	STC1267	157	STC1696	45	STC2424	394	STC2435	393	STC2467	399
SJ108308	208	STC1268	159	STC1697	45	STC2424	410	STC2436	393	STC2468	399
SKB103910	146	STC1269	159	STC1736N	19	STC2424	415	STC2437	393	STC2469	399
SKU101310	146	STC1270	159	STC1738	45	STC2424	417	STC2438	394	STC2470	399
SL105087	271	STC1275	157	STC1739	45	STC2424	437	STC2439	391	STC2471	390
SL510031	145	STC1276	158	STC1845	113	STC2424	466	STC2439	393	STC2471	420
SMD100260	158	STC1279	158	STC1846	100	STC2425	293	STC2439	396	STC2471	425
SMD100270	158	STC128	165	STC1846	112	STC2425	392	STC2439	399	STC2471	426
SP103101	306	STC128	166	STC1851	228	STC2425	403	STC2439	417	STC2472	403
SP104121	384	STC128	174	STC1851	229	STC2425	404	STC2439	419	STC2472	404
SP105101L	193	STC128	176	STC2407	403	STC2425	410	STC2440	394	STC2473	403
SP105121	301	STC128	177	STC2407	404	STC2426	391	STC2441	393	STC2473	404
SP105301L	301	STC1280	157	STC2407	419	STC2426	393	STC2442	393	STC2474	403
SP105351L	301	STC1281	159	STC2410	392	STC2426	404	STC2447	394	STC2475	477
SS108201	46	STC1486	228	STC2410	437	STC2426	418	STC2452	243	STC2476	477
SS108251	41	STC1486	229	STC2411	410	STC2426	419	STC2452	390	STC2478	275
SS108404	356	STC1525	90	STC2412	397	STC2427	207	STC2452	391	STC2478	488
SS110201E	28	STC1526	90	STC2412	465	STC2427	293	STC2452	392	STC2481	396
STC1040	135	STC1527	90	STC2421	390	STC2427	391	STC2452	393	STC2482	396





DEFENDER XD ALL VARIANTS

521

NUMERICAL INDEX

PART NO	PAGE	PART NO	PAGE	PART NO	PAGE	PART NO	PAGE	PART NO	PAGE	PART NO	PAGE
STC2483	396	STC2532	390	STC2597	282	STC2668	417	STC2738	397	STC3015	228
STC2485	396	STC2533	390	STC2598	241	STC2669	398	STC2745	469	STC3016	228
STC2486	419	STC2535	396	STC2599	394	STC2683	409	STC2746	469	STC3016	229
STC2488	469	STC2536	469	STC2600	394	STC2693	397	STC2747	404	STC3018	228
STC2489	241	STC2537	469	STC2601	394	STC2693	410	STC2748	403	STC3018	229
STC2490	241	STC2538	469	STC2603	395	STC2693	417	STC2748	404	STC3020	228
STC2492	243	STC2539	415	STC2604	409	STC2693	419	STC2749	403	STC3020	229
STC2493	399	STC2542	404	STC2605	409	STC2693	465	STC2750	477	STC3021	228
STC2493	420	STC2543	403	STC2606	394	STC2694	241	STC2751	393	STC3021	229
STC2494	399	STC2544	415	STC2608	409	STC2694	397	STC2751	394	STC3022	228
STC2498	243	STC2544	419	STC2609	243	STC2698	207	STC2751	477	STC3022	229
STC2505	207	STC2546	283	STC2610	409	STC2698	466	STC2752	352	STC3023	228
STC2505	293	STC2550	404	STC2611	399	STC2704	293	STC2801	47	STC3023	229
STC2505	391	STC2551	403	STC2612	409	STC2704	393	STC2802	47	STC3025	228
STC2505	393	STC2552	404	STC2614	436	STC2704	395	STC2808	111	STC3025	229
STC2505	395	STC2553	403	STC2615	394	STC2707	397	STC2810	113	STC3037	228
STC2505	397	STC2554	390	STC2617	393	STC2715	396	STC2818	60	STC3037	229
STC2505	417	STC2555	390	STC2630	241	STC2719	419	STC2845	134	STC3038	246
STC2505	437	STC2559	465	STC2633	203	STC2720	419	STC2846	134	STC3043	244
STC2511	436	STC2561	409	STC2634	204	STC2721	204	STC2847	135	STC3049	101
STC2512	436	STC2570	393	STC2635	204	STC2723	392	STC2847	136	STC3050	101
STC2514	403	STC2571	397	STC2637	203	STC2723	466	STC2848	135	STC3051	101
STC2516	242	STC2572	397	STC2639	204	STC2724	392	STC2940	80	STC3059	228
STC2521	392	STC2573	397	STC2640	203	STC2724	466	STC2955	92	STC3059	229
STC2523	399	STC2574	397	STC2642	238	STC2725	241	STC2955	93	STC3065	230
STC2524	390	STC2590	393	STC2642	243	STC2726	243	STC2955	94	STC3065	234
STC2525	392	STC2591	393	STC2642	488	STC2727	243	STC2955	95	STC3065	237
STC2526	396	STC2594	243	STC2645	394	STC2729	243	STC298210	24	STC3066	230
STC2529	466	STC2595	420	STC2665	241	STC2731	393	STC298220	24	STC3066	233
STC2531	399	STC2596	282	STC2667	243	STC2732	393	STC3014	228	STC3066	234





DEFENDER XD ALL VARIANTS

522

NUMERICAL INDEX

PART NO	PAGE	PART NO	PAGE	PART NO	PAGE	PART NO	PAGE	PART NO	PAGE	PART NO	PAGE
STC3066	241	STC3297	45	STC3450	242	STC3476	293	STC3502	409	STC3532	415
STC3067	244	STC3315	43	STC3451	242	STC3477	282	STC3503	409	STC3536	419
STC3069	312	STC3334	277	STC3452	242	STC3477	293	STC3504	409	STC3537	419
STC3069	313	STC3334	279	STC3453	242	STC3479	281	STC3505	409	STC3538	417
STC3070	312	STC3376	69	STC3454	242	STC3480	281	STC3506	409	STC3539	417
STC3071	312	STC3379	394	STC3455	242	STC3480	283	STC3507	409	STC3540	417
STC3071	313	STC3382	394	STC3456	242	STC3481	281	STC3508	409	STC3541	417
STC3072	312	STC3383	18	STC3457	242	STC3482	281	STC3509	409	STC3542	418
STC3072	313	STC3386	246	STC3458	242	STC3483	281	STC3510	409	STC3543	418
STC3073	312	STC3387	246	STC3459	243	STC3484	281	STC3511	409	STC3544	418
STC3073	313	STC3392	480	STC3460	243	STC3485	281	STC3512	409	STC3545	419
STC3075	139	STC3395	23	STC3461	275	STC3486	281	STC3513	409	STC3547	419
STC3084	46	STC3407	26	STC3461	488	STC3487	281	STC3514	409	STC3549	420
STC3086	278	STC3430	487	STC3462	283	STC3488	281	STC3515	409	STC3551	420
STC3086	294	STC3431	487	STC3463	283	STC3489	281	STC3516	409	STC3552	420
STC3067	127	STC3432	83	STC3464	390	STC3489	283	STC3517	414	STC3553	426
STC3087	128	STC3433	84	STC3464	391	STC3490	281	STC3518	414	STC3554	426
STC3088	120	STC3435	102	STC3465	390	STC3491	283	STC3519	414	STC3555	426
STC3088	121	STC3438	166	STC3466	390	STC3492	283	STC3520	410	STC3556	426
STC3088	122	STC3439	166	STC3467	390	STC3493	394	STC3521	410	STC3558	426
STC3124	111	STC3441	203	STC3468	390	STC3494	396	STC3522	410	STC3559	426
STC3138	138	STC3442	203	STC3469	282	STC3495	403	STC3524	410	STC3560	426
STC3159	46	STC3445	207	STC3471	281	STC3495	404	STC3526	410	STC3561	436
STC3180	229	STC3445	224	STC3471	283	STC3496	403	STC3527	410	STC3562	437
STC3181	229	STC3445	417	STC3472	281	STC3496	404	STC3528	410	STC3568	466
STC3185	82	STC3446	238	STC3472	283	STC3497	409	STC3528	426	STC3570	417
STC3191	222	STC3446	488	STC3473	282	STC3498	409	STC3529	415	STC3571	469
STC3191	223	STC3447	238	STC3474	281	STC3499	409	STC3529	416	STC3572	419
STC3192	222	STC3447	488	STC3475	281	STC3500	409	STC3530	415	STC3573	437
STC3192	223	STC3449	242	STC3476	282	STC3501	409	STC3531	415	STC3591	426





DEFENDER XD ALL VARIANTS

523

NUMERICAL INDEX

PART NO	PAGE	PART NO	PAGE	PART NO	PAGE	PART NO	PAGE	PART NO	PAGE	PART NO	PAGE
STC3592	46	STC3663	390	STC3927	420	STC4130	206	STC4253	412	STC4339	215
STC3597	43	STC3664	419	STC3928	480	STC4130	282	STC4254	413	STC4341	217
STC3606	461	STC3665	419	STC3929	480	STC4131	203	STC4255	412	STC4348	69
STC3607	461	STC3667	390	STC3932	392	STC4132	205	STC4255	413	STC4355	208
STC3609	76	STC3668	275	STC3933	392	STC4133	205	STC4256	413	STC4356	53
STC3626	203	STC3668	488	STC3934	392	STC4134	205	STC4257	413	STC4356	54
STC3627	203	STC3669	293	STC3935	392	STC4135	205	STC4269	222	STC4357	325
STC3628	203	STC3669	488	STC3936	394	STC4136	205	STC4271	222	STC4358	230
STC3629	204	STC3670	293	STC3975	219	STC4137	205	STC4272	222	STC4358	232
STC3630	204	STC3670	488	STC3995	350	STC4139	205	STC4292	146	STC4358	233
STC3631	204	STC3695	417	STC4005	439	STC4140	252	STC4292	150	STC4358	235
STC3632	393	STC3705	291	STC4005	440	STC4141	252	STC4293	255	STC4358	237
STC3638	207	STC3706	291	STC4034	253	STC4142	203	STC4294	319	STC4358	308
STC3639	207	STC3707	291	STC4035	253	STC4142	291	STC4295	313	STC4359	232
STC3641	207	STC3708	291	STC4036	253	STC4143	203	STC4296	273	STC4361	263
STC3643	281	STC3722	110	STC4072	165	STC4144	203	STC4308	173	STC4362	297
STC3645	392	STC3722	99	STC4072	166	STC4148	204	STC4309	237	STC4363	297
STC3646	397	STC3819	43	STC4117	205	STC4149	204	STC4310	175	STC4364	332
STC3648	415	STC3820	43	STC4118	205	STC4240	410	STC4314	296	STC4365	332
STC3649	420	STC3851	303	STC4119	205	STC4240	412	STC4322	150	STC4366	175
STC3650	420	STC3856	116	STC4120	205	STC4240	413	STC4329	208	STC4367	332
STC3651	437	STC3856	117	STC4121	205	STC4241	409	STC4330	208	STC4368	307
STC3652	465	STC3864	361	STC4122	205	STC4242	238	STC4331	208	STC4370	83
STC3654	465	STC3865	361	STC4123	205	STC4242	488	STC4332	210	STC4371	325
STC3655	465	STC3894	113	STC4124	205	STC4244	238	STC4333	213	STC4372	325
STC3656	465	STC3902	242	STC4125	252	STC4244	488	STC4334	208	STC4382	103
STC3659	465	STC3912	127	STC4126	252	STC4245	293	STC4335	208	STC4382	114
STC3660	465	STC3912	128	STC4127	203	STC4246	293	STC4336	208	STC4382	115
STC3661	465	STC3922	466	STC4128	203	STC4247	293	STC4337	211	STC4385	135
STC3662	241	STC3923	409	STC4129	203	STC4248	426	STC4338	208	STC4387	422





DEFENDER XD ALL VARIANTS

524

NUMERICAL INDEX

PART NO	PAGE	PART NO	PAGE	PART NO	PAGE	PART NO	PAGE	PART NO	PAGE	PART NO	PAGE
STC4388	422	STC4436	488	STC7445	213	TE110051L	27	TRE100460	61	TUZ100240	64
STC4404	59	STC4437	416	STC8383E	134	TE110051L	28	TUB101500	72	TUZ100270	64
STC4404	61	STC4438	416	STC8384E	134	TE110061L	28	TUB101610	68	TUZ100290	64
STC4404	65	STC4439	416	STC8574	158	TE110061L	57	TUB101620	68	TUZ100310	64
STC4404	77	STC4440	416	STC8575	157	TE110071L	32	TUB101630	69	TUZ100330	64
STC4404	79	STC4442	494	STC8646	228	TE110071L	40	TUB101800	68	TVC100010	94
STC441	150	STC4443	494	STC8646	229	TE110151	29	TUB101990	72	TVC100010	95
STC4411	50	STC4445	467	STC889	136	TOF100000	103	TUB102000	72	TVE100000	92
STC4413	425	STC491	150	STC952	196	TOF100000	114	TUD101720	67	TVE100000	93
STC4415	425	STC492	150	STC958	24	TOF100000	115	TUD101970	67	TVE100000	94
STC4416	425	STC493	150	STC966	231	TOF100010	103	TUD102580	67	TVE100000	95
STC4417	425	STC50536	488	STC976	147	TOF100010	114	TUJ100050	68	TVQ100130	67
STC4418	239	STC579	101	STC987	312	TOF100010	115	TUJ100050	70	TYG100580	101
STC4418	240	STC60679	491	STC987	314	TOF100020	103	TUK100340	68	TYG100590	101
STC442	150	STC60680	493	SU112101M	86	TOF100020	114	TUK100340	69	TYG100650	66
STC4420	150	STC60681	490	SU112101S	86	TOF100020	115	TUK100340	70	TZZ100200	67
STC4421	491	STC60682	489	SX108201L	57	TOF100030	103	TUO100100	72	UAM2857L	25
STC4422	491	STC611	25	SX110257M	102	TOF100030	114	TUO100240	72	UAM2957	25
STC4423	491	STC7409	208	SX110257M	114	TOF100030	115	TUZ100000	72	UBH101600	194
STC4424	491	STC7411	208	SX110257M	115	TOF100040	103	TUZ100020	64	UBH101610	194
STC4425	491	STC7413	208	SX110301	124	TOF100040	114	TUZ100040	64	UBU100470	193
STC4426	491	STC7413	210	SX110301	125	TOF100040	115	TUZ100060	64	UBU100480	193
STC4427	491	STC7417	208	SYC10020	167	TOF100050	103	TUZ100080	64	UKC1060L	67
STC4428	488	STC7418	208	TBH100040	100	TOF100050	114	TUZ100100	64	UKC170L	61
STC4429	488	STC7421	217	TBH100040	112	TOF100050	115	TUZ100120	64	UKC24L	78
STC4430	488	STC7423	210	TDL100240	101	TOF100060	103	TUZ100140	64	UKC25L	65
STC4431	488	STC7434	211	TE108051L	32	TOF100060	114	TUZ100160	64	UKC3092	74
STC4432	488	STC7435	211	TE108051L	40	TOF100060	115	TUZ100180	64	UKC3803L	173
STC4433	488	STC7436	211	TE108061L	27	TRC103000	59	TUZ100200	64	UKC3803L	179
STC4435	488	STC7443	213	TE110051	57	TRC103180	59	TUZ100220	64	UKC3803L	40





DEFENDER XD ALL VARIANTS

525

NUMERICAL INDEX

PART NO	PAGE	PART NO	PAGE	PART NO	PAGE	PART NO	PAGE	PART NO	PAGE	PART NO	PAGE
UKC6684L	199	WA104001	419	WA105001L	422	WA106041L	249	WA106041L	433	WA108051L	300
UKC6684L	210	WA104001	494	WA105001L	446	WA106041L	271	WA106041L	453	WA108051L	302
UKC6684L	250	WA104001L	200	WA105001L	447	WA106041L	292	WA106041L	457	WA108051L	310
UKC6684L	256	WA104001L	239	WA105001L	477	WA106041L	298	WA106041L	475	WA108051L	311
UKC6684L	257	WA104001L	250	WA105004	199	WA106041L	303	WA106041L	488	WA108051L	322
UKC6684L	271	WA104001L	32	WA106001L	312	WA106041L	306	WA106041L	78	WA108051L	327
UKC6684L	316	WA104001L	446	WA106001L	328	WA106041L	307	WA106041L	86	WA108051L	340
UKC6684L	317	WA104001L	447	WA106001L	405	WA106041L	308	WA106041L	89	WA108051L	342
UKC6684L	370	WA104001L	451	WA106001L	406	WA106041L	324	WA106045L	347	WA108051L	344
UKC6684L	448	WA104004L	455	WA106041	343	WA106041L	336	WA106047L	315	WA108051L	346
UKC8L	67	WA105001	132	WA106041	345	WA106041L	341	WA106047L	355	WA108051L	347
URB100760	57	WA105001	187	WA106041	381	WA106041L	349	WA108001L	89	WA108051L	349
UTD100000	60	WA105001	388	WA106041	407	WA106041L	350	WA108051L	119	WA108051L	357
UTJ100210	60	WA105001	389	WA106041	408	WA106041L	359	WA108051L	129	WA108051L	359
UTP1725	198	WA105001	434	WA106041L	133	WA106041L	365	WA108051L	133	WA108051L	365
UTP1883	199	WA105001L	214	WA106041L	137	WA106041L	367	WA108051L	145	WA108051L	371
UTP1906	198	WA105001L	215	WA106041L	143	WA106041L	368	WA108051L	146	WA108051L	372
UTP1907	198	WA105001L	216	WA106041L	154	WA106041L	369	WA108051L	147	WA108051L	374
UTP2225	198	WA105001L	217	WA106041L	155	WA106041L	372	WA108051L	150	WA108051L	400
UTP2229	198	WA105001L	234	WA106041L	156	WA106041L	373	WA108051L	152	WA108051L	402
UUF100060	60	WA105001L	265	WA106041L	157	WA106041L	379	WA108051L	160	WA108051L	407
UYF100160	86	WA105001L	270	WA106041L	191	WA106041L	380	WA108051L	163	WA108051L	408
WA103001	243	WA105001L	285	WA106041L	192	WA106041L	382	WA108051L	171	WA108051L	413
WA103001	419	WA105001L	290	WA106041L	193	WA106041L	386	WA108051L	172	WA108051L	421
WA103001	454	WA105001L	304	WA106041L	194	WA106041L	401	WA108051L	189	WA108051L	429
WA103001L	306	WA105001L	305	WA106041L	195	WA106041L	41	WA108051L	209	WA108051L	438
WA103001L	307	WA105001L	306	WA106041L	196	WA106041L	412	WA108051L	217	WA108051L	461
WA104001	278	WA105001L	334	WA106041L	209	WA106041L	428	WA108051L	237	WA108051L	462
WA104001	313	WA105001L	403	WA106041L	217	WA106041L	430	WA108051L	248	WA108051L	470
WA104001	319	WA105001L	404	WA106041L	248	WA106041L	431	WA108051L	255	WA108051L	471





DEFENDER XD ALL VARIANTS

526

NUMERICAL INDEX

PART NO	PAGE	PART NO	PAGE	PART NO	PAGE	PART NO	PAGE	PART NO	PAGE	PART NO	PAGE
WA108051L	472	WA110061L	421	WC104001L	303	WC106041L	389	WC108051L	372	WFP102130	173
WA108051L	475	WA110061L	442	WC105001	165	WC106041L	430	WC108051L	429	WFP102170	146
WA108051L	479	WA110061L	443	WC105001	166	WC106041L	431	WC108051L	470	WF104001	411
WA108051L	490	WA110061L	444	WC105001	274	WC106041L	432	WC108051L	472	WF105001	411
WA108051L	492	WA110061L	485	WC105001	275	WC106041L	433	WC110067L	127	WF105001L	347
WA108051L	493	WA110061L	486	WC105001	278	WC106041L	466	WC110067L	128	WF105001L	422
WA108051L	86	WA110061L	57	WC105001	452	WC106044L	446	WC110067L	330	WF105001L	447
WA108054L	356	WA110065	377	WC105001	464	WC106045	187	WC110067L	362	WF105001L	448
WA108055	478	WA110065	378	WC105001L	148	WC106047	315	WC110067L	492	WF106001L	306
WA110001	79	WA110065	397	WC105001L	301	WC108051	164	WC110067L	493	WF106001L	351
WA110001L	211	WA110068L	329	WC105001L	334	WC108051	344	WC110067L	74	WF108004L	356
WA110001L	379	WA112081L	134	WC105001L	347	WC108051	346	WC112081	129	WF110001L	152
WA110001L	381	WA112081L	146	WC105001L	383	WC108051	355	WC112081	331	WF110001L	153
WA110001L	410	WA112081L	330	WC105001L	410	WC108051	380	WC112081L	119	WF110001L	154
WA110061L	123	WA112081L	333	WC105001L	423	WC108051	381	WC112081L	123	WF110001L	155
WA110061L	127	WA112081L	377	WC105001L	447	WC108051	438	WC112081L	137	WF110001L	156
WA110061L	128	WA112081L	378	WC105001L	451	WC108051L	131	WC112081L	138	WF600041L	253
WA110061L	131	WA112081L	491	WC105001L	478	WC108051L	160	WC116101	129	WF600041L	316
WA110061L	138	WA120001	124	WC105007	347	WC108051L	163	WC702101	478	WF600041L	317
WA110061L	181	WA120001	125	WC105007	349	WC108051L	298	WD112081	434	WF600071L	147
WA110061L	182	WA600091L	371	WC106041L	148	WC108051L	322	WE104001L	294	WF600071L	473
WA110061L	237	WA704061	247	WC106041L	207	WC108051L	323	WE104001L	32	WF702108	449
WA110061L	244	WB106041L	351	WC106041L	299	WC108051L	324	WE105001L	480	WF704064	449
WA110061L	328	WB108051	434	WC106041L	301	WC108051L	333	WE106001	301	WJ105001L	256
WA110061L	329	WB108051	478	WC106041L	336	WC108051L	342	WE108001L	237	WJ105001L	257
WA110061L	331	WB108051L	132	WC106041L	337	WC108051L	349	WE108001L	292	WJ105001L	286
WA110061L	379	WB112081L	102	WC106041L	338	WC108051L	353	WE110001L	237	WJ106001L	301
WA110061L	381	WB120001	126	WC106041L	339	WC108051L	354	WE114001	131	WJ106001L	302
WA110061L	385	WC104001	277	WC106041L	341	WC108051L	355	WE600041L	284	WJ106001L	431
WA110061L	386	WC104001	384	WC106041L	388	WC108051L	364	WFP102120	173	WJ106001L	432





DEFENDER XD ALL VARIANTS

527

NUMERICAL INDEX

PART NO	PAGE	PART NO	PAGE	PART NO	PAGE	PART NO	PAGE	PART NO	PAGE	PART NO	PAGE
WJ106001L	433	WL106001	353	WL106041	407	WL108001L	470	XBD100860	230	YGD100960	244
WJ110007L	138	WL106001	354	WL106041	408	WL108001L	56	XBP100180	230	YGF100040	244
WJ110007L	164	WL106001L	133	WL106041L	337	WL108001L	57	XBP100180	233	YGH100000	244
WJ110007L	55	WL106001L	143	WL106041L	338	WL108051L	160	XBP100180	234	YGJ100010	494
WJ110007L	99	WL106001L	196	WL108001L	124	WL110001	79	XBS100240	228	YHE100000	297
WJ600041L	245	WL106001L	203	WL108001L	125	WL110001L	131	XCL100020	228	YJC100920	337
WJ600041L	349	WL106001L	209	WL108001L	133	WL110001L	164	XDD100240	240	YJC100920	338
WK606214L	449	WL106001L	217	WL108001L	146	WL110001L	362	XDL100030	240	YJC100970	302
WLB100040	424	WL106001L	271	WL108001L	163	WL112001L	327	XDL100030	494	YKR100050	52
WLB100040	425	WL106001L	291	WL108001L	171	WL600081	478	XFB101540	234	YKR100050	53
WLD100690	165	WL106001L	292	WL108001L	172	WM110001L	120	XFC100630	234	YKR100050	54
WLF100060	424	WL106001L	298	WL108001L	196	WM110001L	121	XFD100070	233	YLD100080	52
WLF100060	425	WL106001L	301	WL108001L	209	WM110001L	122	XFD100080	233	YLD100080	53
WL103001L	306	WL106001L	302	WL108001L	217	WM110001L	127	XFD100090	234	YLD100080	54
WL104001	237	WL106001L	350	WL108001L	255	WM110001L	128	XFE100200	233	YLE102240	53
WL104004	446	WL106001L	351	WL108001L	261	WM600051L	120	XFF100080	236	YLE102250	54
WL105001	164	WL106001L	365	WL108001L	298	WM600051L	121	XFK100310	235	YLR100170	52
WL105001	216	WL106001L	367	WL108001L	302	WM600051L	122	XFK100310	494	YLR100180	53
WL105001	434	WL106001L	373	WL108001L	322	WM600051L	41	XFW100000	235	YLR100190	54
WL105001L	165	WL106001L	374	WL108001L	323	WM600061	99	XGB100240	232	YLS100080	52
WL105001L	166	WL106001L	379	WL108001L	324	WM702001L	234	XKB100180	146	YLS100080	53
WL105001L	256	WL106001L	382	WL108001L	333	WM702001L	447	XPB101290	272	YLS100080	54
WL105001L	257	WL106001L	430	WL108001L	344	WND100120	42	XPB101290	273	YLS100090	52
WL105001L	286	WL106001L	431	WL108001L	347	WNP100000	42	XPH100160	273	YLS100090	53
WL105001L	301	WL106001L	432	WL108001L	349	WP185L	163	XPI100000	273	YLS100090	54
WL105001L	334	WL106001L	433	WL108001L	364	WP185L	322	YAF100120	277	YMB102590	251
WL105001L	366	WL106001L	457	WL108001L	365	WP185L	323	YAV100000	296	YMB102600	251
WL105001L	383	WL106004L	455	WL108001L	372	WP185L	324	YAY100030	296	YMC135770	248
WL105001L	449	WL106007L	315	WL108001L	407	XBC105180	228	YBD101710	296	YMD112080	259
WL105001L	451	WL106007L	355	WL108001L	408	XBD100790	230	YEB101250	292	YMG101340	225





DEFENDER XD ALL VARIANTS

528

NUMERICAL INDEX

PART NO	PAGE	PART NO	PAGE	PART NO	PAGE	PART NO	PAGE	PART NO	PAGE	PART NO	PAGE
YMH100140	250	YQH101080	452	YUF101640	279	2223	490	269257	301	333032	363
YMM109870	270	YQR10016L	213	YUF101830	276	2265L	163	269783	145	333033	363
YMN102200	265	YQR10016L	249	YUF101830	279	232039	77	27H5311	270	333034	363
YMQ103490	313	YQR10016L	251	YUG103060	225	232042	66	272712	145	333035	363
YMQ103500	273	YQR10016L	256	YUK100250	217	232042	78	272713	145	333036	364
YMQ104840	220	YQR10016L	257	YUK100250	279	233220	147	272714	145	333203	366
YMQ105020	225	YQR10016L	258	YUM100160	225	233243	259	272819	145	334121	334
YMS100140	308	YQR10016L	265	YWB101130	285	233243	270	273069	40	335832	385
YMS100140	494	YQR10016L	315	YYC10030L	261	234532	92	276054	199	336351	478
YMT100070	262	YQR10016L	316	YYC10030L	290	234532	93	276054	214	338013	462
YMW100610	251	YQR10016L	317	YYD10003	197	234532	94	276054	215	338015	315
YMZ101040	268	YQR10016L	488	YZV100310L	251	234532	95	276054	405	338015	333
YMZ101050	268	YQU104550	280	YZV100320L	251	235113	234	276054	406	338017	339
YNN100040	256	YQX100060	255	YZV100340L	251	235113	292	302532	353	338023	299
YNN100050	256	YRE100280	282	ZXC9435	486	238637L	488	302532	354	338023	375
YNP100000	251	YSB106920	261	11H1781L	143	242522	92	302532	457	338023	376
YOO451PMA	454	YSB106940	261	11011L	135	242522	93	3052	277	338024	375
YOO451PMA	455	YSB107190	43	13H7343	199	242522	94	3052	279	338024	376
YPC117510	255	YTA101490	244	150844	312	242522	95	3100	163	338027	146
YPF100820	255	YTB101170	244	150844	313	243958	163	3101	163	3409	303
YPH100230L	244	YTH100000	244	216962	83	243958	164	320045	336	345662	210
YQB100370	255	YUF101490	276	216962	84	247127	21	3292	102	345662	248
YQE103540	307	YUF101500	274	217245	322	253948	331	330618	376	345662	250
YQG10007	254	YUF101500	279	217245	323	253952	119	330953	364	345662	251
YQG10007	255	YUF101600	274	217245	324	253952	330	330954	364	345699	388
YQG10008	254	YUF101600	275	22G1988L	74	264024	123	330955	364	345699	389
YQG10008	255	YUF101600	279	22G1989L	74	264024	129	330956	364	346341	364
YQG10009L	254	YUF101630	276	2205	331	264767	147	331083	132	346576	334
YQG10009L	255	YUF101630	279	2215L	158	266945	24	332146	384	346722	133
YQG100260	307	YUF101640	276	2215L	159	269257	259	332582	379	346849	351





DEFENDER XD ALL VARIANTS

529

NUMERICAL INDEX

PART NO	PAGE	PART NO	PAGE	PART NO	PAGE	PART NO	PAGE	PART NO	PAGE	PART NO	PAGE
346924	199	371144	480	50642	140	539706	100	562481	148	571752	115
346927	359	372336	428	508035	264	539706	112	564813	146	571755	101
346928	359	3900L	353	508035	479	539707	109	564816	146	572077	134
346976	201	3900L	354	508035	480	539707	98	568431	57	572087	120
347151	367	390939	248	509045P	92	539745	109	568680	116	572087	121
347369	359	390939	33	509045P	93	539745	98	568680	117	572087	122
347436	342	391287	351	509045P	94	543819	138	568680	248	572312	187
347436	344	393218	349	509045P	95	546799	35	568680	250	573246	265
347436	346	393218	350	51K4001L	132	549229	92	568680	251	573256	249
347586	199	395252	472	512650	147	549229	93	568680	261	573256	261
348747	133	395481	359	517689	171	549229	94	568680	488	573256	266
348797	274	395538	359	517689	172	549229	95	568680	53	573256	88
348797	275	395829	201	517706	171	549473	104	568858	138	575047	312
348797	278	395830	201	517706	172	549473	115	568883	145	576159	109
351991	350	396112	300	517706	210	550732	147	569291	146	576159	111
3663	183	4075	365	519965	163	551508	279	570753	164	576159	98
3663	184	4075L	462	519965	164	552647	306	570753	355	576643	74
3663	185	4075L	463	522940	171	552647	307	570753	380	577873	155
3663	407	4868	365	522940	172	552648	306	571134	65	577873	156
3663	408	4905	134	524765	32	552648	307	571134	79	577898	137
3682	183	500447	164	524765	40	552770	303	571146	86	579114	297
368816	375	500918	297	525497	32	552819	123	571146	87	589151	305
368816	376	501593	21	53K3039L	339	552819	129	571468	83	589254	295
37H770	171	502116	57	531587	303	555711	299	571468	84	592773	129
37H770	172	502473	35	531588	303	559247	163	571536	78	593693	100
37H7920	171	502951	165	531689	148	559247	164	571665	84	593693	112
37H7920	172	502951	166	533765	84	561196	107	571682	83	593693	113
37H8119	171	50446	145	536126	237	561196	108	571682	84	594091	157
37H8119	172	50446	146	538131	23	561196	97	571752	103	594091	158
371144	479	50639	41	538132	23	562481	144	571752	114	594091	159





DEFENDER XD ALL VARIANTS

530

NUMERICAL INDEX

PART NO	PAGE	PART NO	PAGE	PART NO	PAGE	PART NO	PAGE
594091	60	70667	274	78248	473	79283	382
594594	116	70667	275	78248	478	79293	379
594594	117	70667	278	78248	479	79293	382
594637	194	73037	455	78248	480	8G8587L	158
595199	138	77701	237	79004	117	8G8837L	147
595478	77	78159	363	79027	37	8566L	23
597586	74	78227	145	79051	228	90508545	163
598701	332	78248	299	79051	229	90513454	110
599552	79	78248	304	79121	167	90513454	111
599945	100	78248	337	79121	295	90513454	99
599945	112	78248	338	79121	296	90519055	21
600265	134	78248	353	79122	168	90575597	138
605011	171	78248	354	79122	169	90576928	102
605011	172	78248	358	79123	116		
606474	87	78248	373	79123	117		
606666	102	78248	374	79124	152		
606733	60	78248	375	79124	153		
608000	136	78248	376	79124	154		
608065	135	78248	377	79124	155		
608246	107	78248	378	79124	156		
608246	108	78248	379	79127	152		
608246	97	78248	382	79127	154		
61K738	145	78248	385	79127	155		
61K738	146	78248	386	79127	156		
622324	116	78248	388	79158	168		
622324	117	78248	389	79158	169		
622324	65	78248	400	79198	199		
622324	89	78248	401	79281	379		
624091	33	78248	459	79281	382		
6395L	26	78248	463	79283	379		



COMMENT(S) ON AESP

To: ATSA DTS 3.2
Ha-Ha Road
Woolwich
LONDON SE18 4QF

From:
.....
.....

Senders Reference	BIN Number	Date
AESP Title: TRUCK UTILITY LIGHT (TUL) HS, TRUCK UTILITY MEDIUM (TUM) HS, AND (TUM) AMBULANCE HS, DEFENDER XD – ALL VARIANTS		
Chapter(s)/Instruction	Page(s)/Paragraph(s)	
If you require more space please use the reverse of this form or a separate piece of paper. Comment(s):		

Signed: Telephone No.:
Name(Capitals): Rank/Grade: Date:
✂

ATSA DTS 3.2 USE ONLY

To:
.....
.....
.....

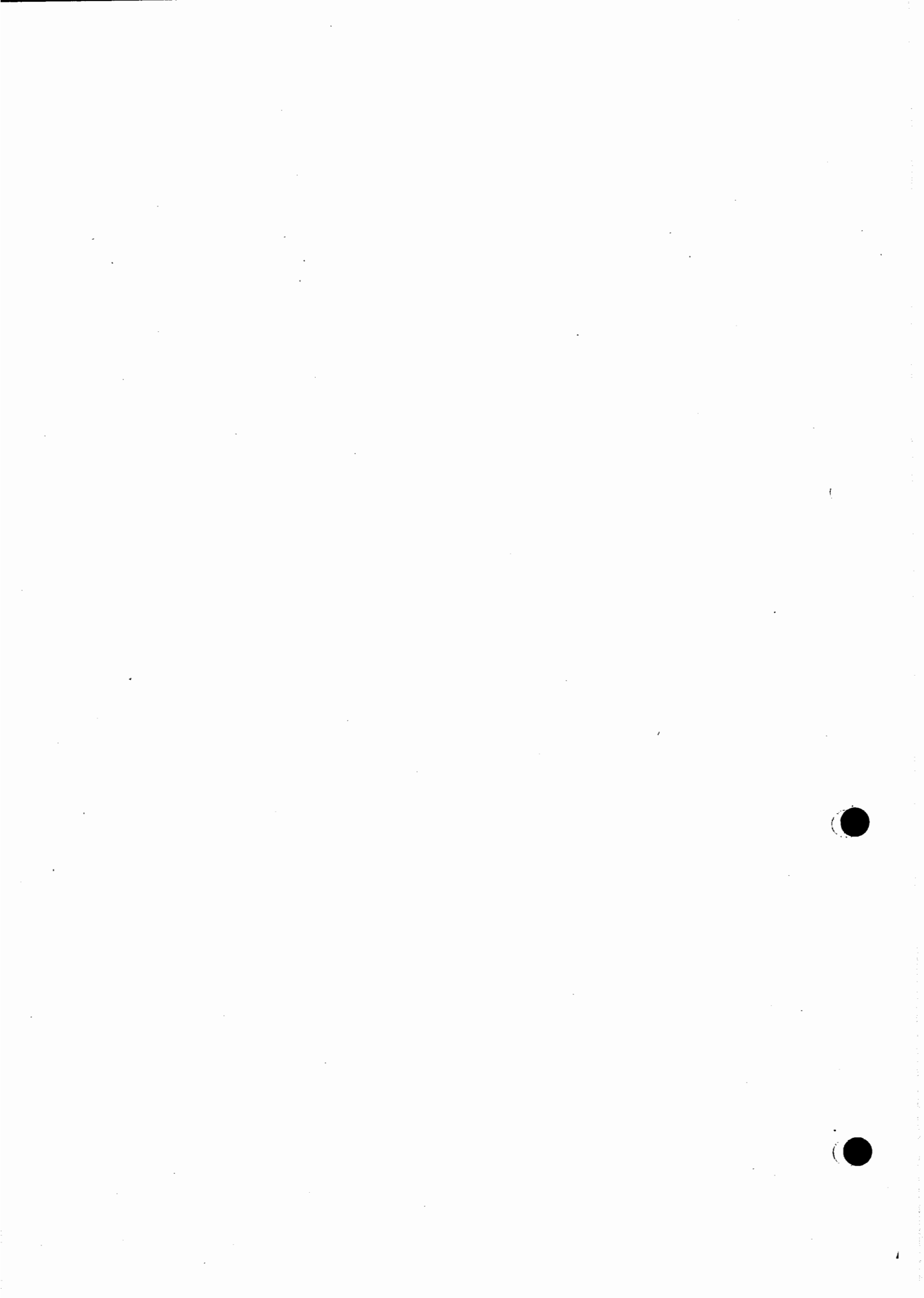
From: ATSA DTS 3.2
Ha-Ha Road
Woolwich
LONDON SE18 4QF

Thank you for commenting on AESP: 2320-D-128-721

Your reference: Dated:

Action is being taken to :	Tick		Tick
Issue a revised/amended AESP		Under investigation	
Incorporate comment(s) in future amendments		No action required	
Remarks			

Signed: Telephone No.:
Name(Capitals): Rank/Grade: Date:



AESP CUSTOMER REGISTRATION AND DEMAND FORM

AESP Form 1(M)
Revised June 95

PART I-REGISTRATION

a) ADDRESS

b) BIN No

--	--	--	--	--	--

c) UIN

--	--	--	--	--	--	--	--

d) INFORMATION LEVEL

--	--

e) EQUIPMENT DESIGNATION

--	--

f) REASON SUBMITTED (Tick one Box)

INITIAL REGISTRATION	AMENDMENT	CANCELLATION	DEMAND ONLY
----------------------	-----------	--------------	-------------

g) AESP REFERENCE NUMBER

--	--	--	--	--	--	--	--	--	--

h) CATEGORY	1		2			3	4		5				6		7					8			J) Non-Equip AESP	
Sub-Cat	0	1	2	0	1	2	0	1	2	1	2	3	4	0	1	1	2	3	4	5	1	2	3	QTY
Quantity																								

PART II-DEMANDS

Note For available Categories see relevant Group Index

For a complete list of AESP Group Indexes see 0100-A-001-013

LSTPA Codes :-

SE= Stock Exhausted
(Please Justify Requirement)

NS= Nil Stock
(Allow 4 Weeks for
Demand to be Satisfied)

NYP= Not Yet Published

k) CATEGORY				QTY	CODES

k) CATEGORY				QTY	CODES

AESP Form 1(M)	Qty
Pads	

AESP Form 2	Qty
Pads	

i) Unit Stamp

m) Name(Capitals) _____

Rank/Grade _____

Tel No _____

Signature _____ Date _____

