



USED ON  A0/8673	CLASSIFICATION	CAD DRAWING NOT TO BE CHANGED MANUALLY					
	ITEM	DRG.No.	NAME			No. OFF	REMARKS
	1	A2/8955	SUPPORT, SHORT			3	
	2	A3/8953	STAY			1	
	3	N.D.	RIVET, ALUMINIUM, $\phi$ 4 x 10 LONG, FLATHEAD, TO BS 4620:1970 TABLE 5			3	
	4	N.D.	WASHER, STEEL, PLAIN, M4			9	
	5	N.D.	FERRULE, PLASTIC, SUPPLIED BY ITW NEXUS OR APPROVED ALTERNATIVE			5	
					2	26-07-05	CS 2334
					1	14-10-92	
					ISSUE	DATE	MOD No
ISSUE	DATE	MOD No	ISSUE	DATE	MOD No	REFERENCE No A/S 2525-7	
APPROVED J. CLARK	CONTRACTOR				CERTIFIED G. DAVIES		APP'D FOR INSPECTION D. BLACKBURN
CHECKED DRT	A1-8954-IL-1 DEFENCE CLOTHING IPT (DLO CAVERSFIELD)				CLASSIFICATION		
DRAWN AH	TITLE FRAME ASSEMBLY, RUCKSACK, SHORT				CONTRACTORS ITEM LIST REF		
	NSN 8465-99-978-9223				ITEM LIST FOR <b>A1/8954</b>		SHEET No 1 OF 1

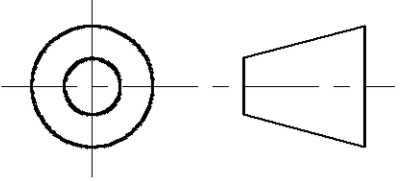
CLASSIFICATION

DRAWING PRODUCED TO BS.8888 AND ASSOCIATED STANDARDS ALL BURRS & SHARP EDGES TO BE REMOVED

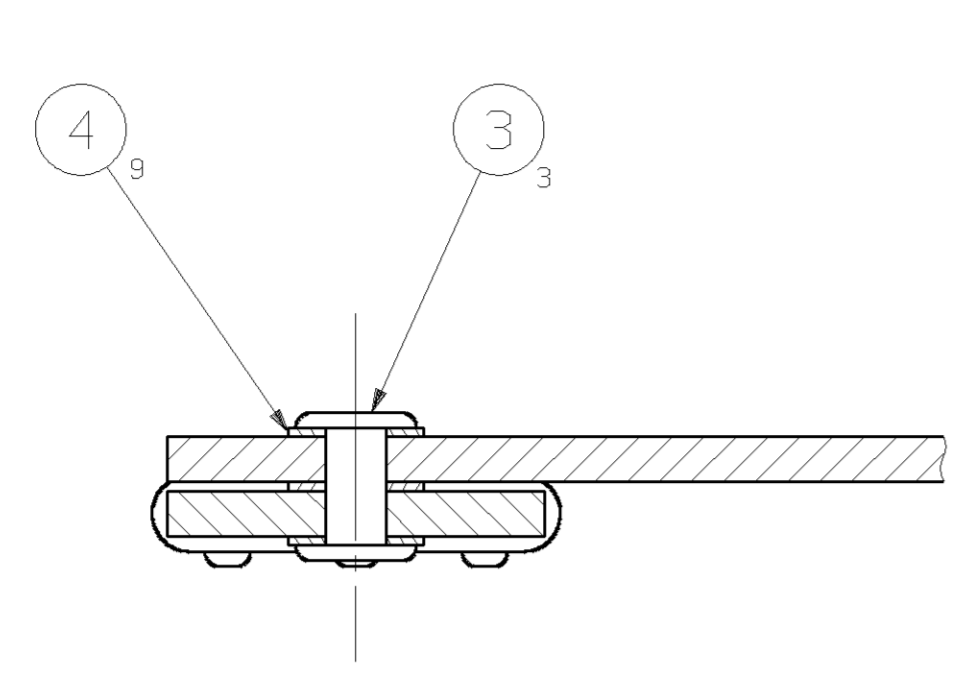
CAD DRAWING NOT TO BE CHANGED MANUALLY

DO NOT SCALE

3RD. ANGLE PROJECTION

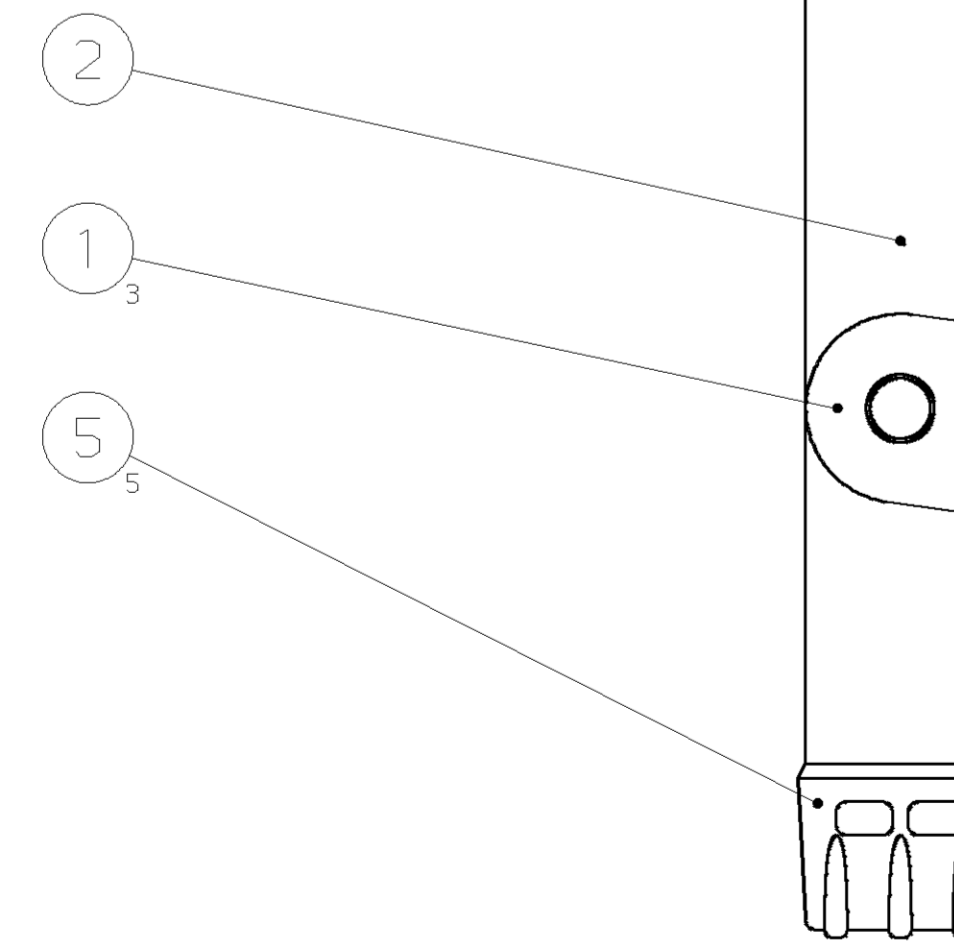
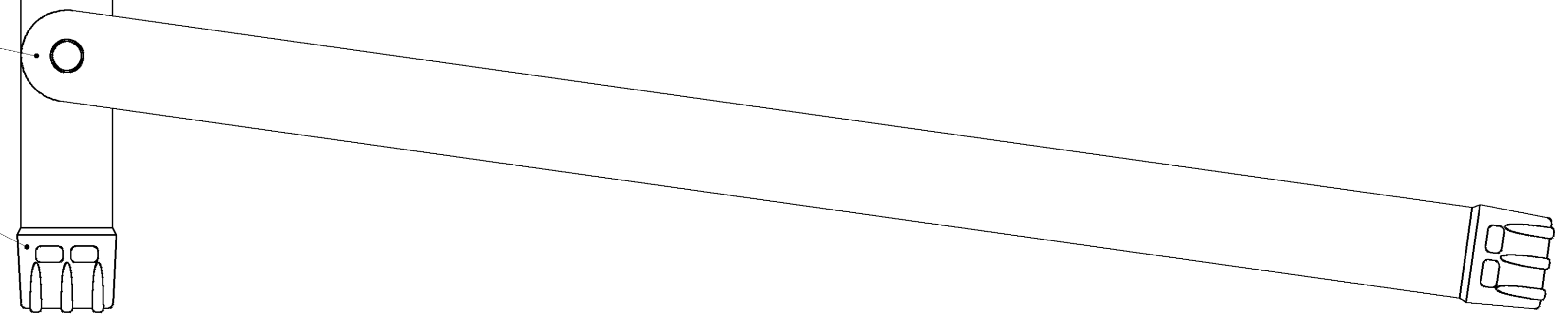
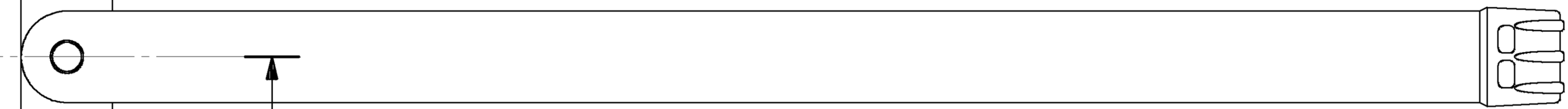
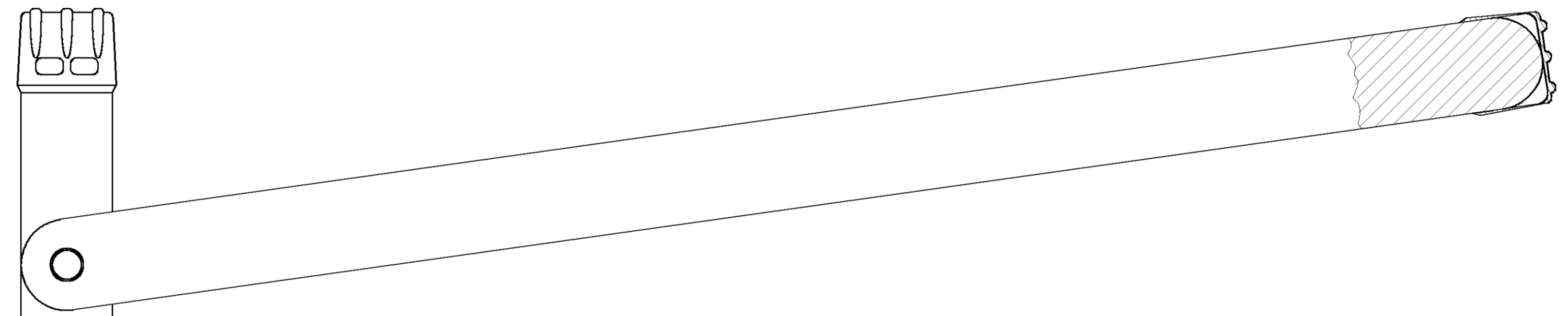
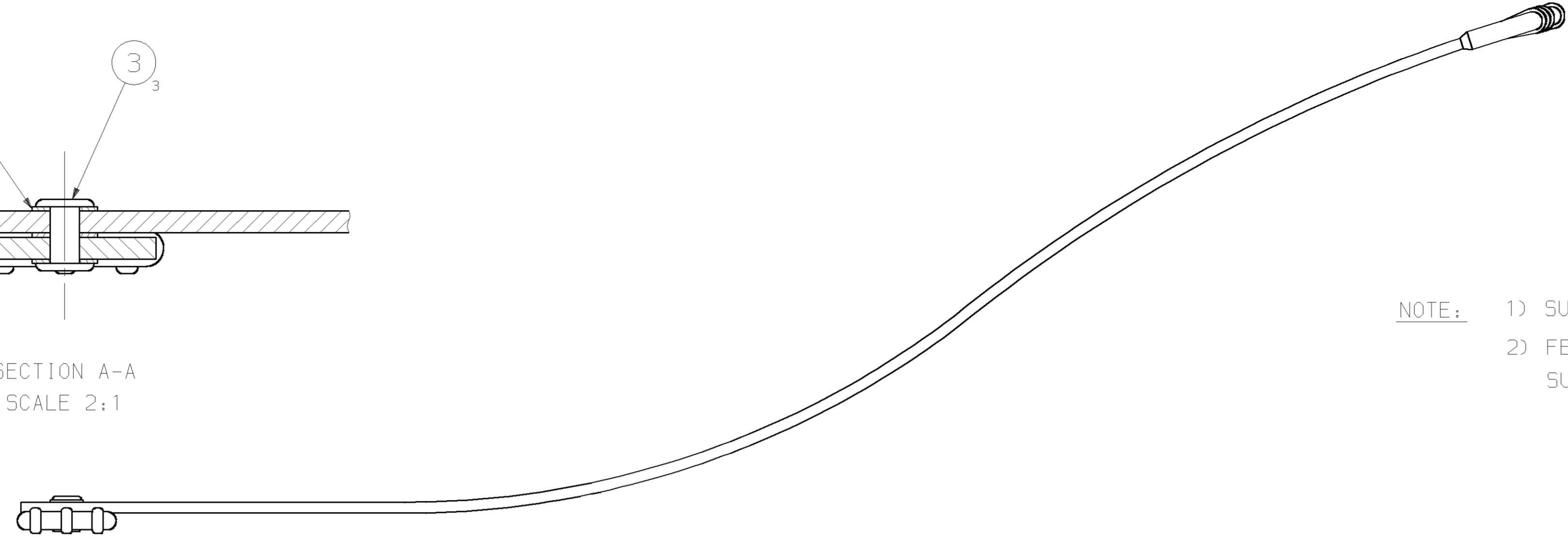


USED ON  
A0/8673



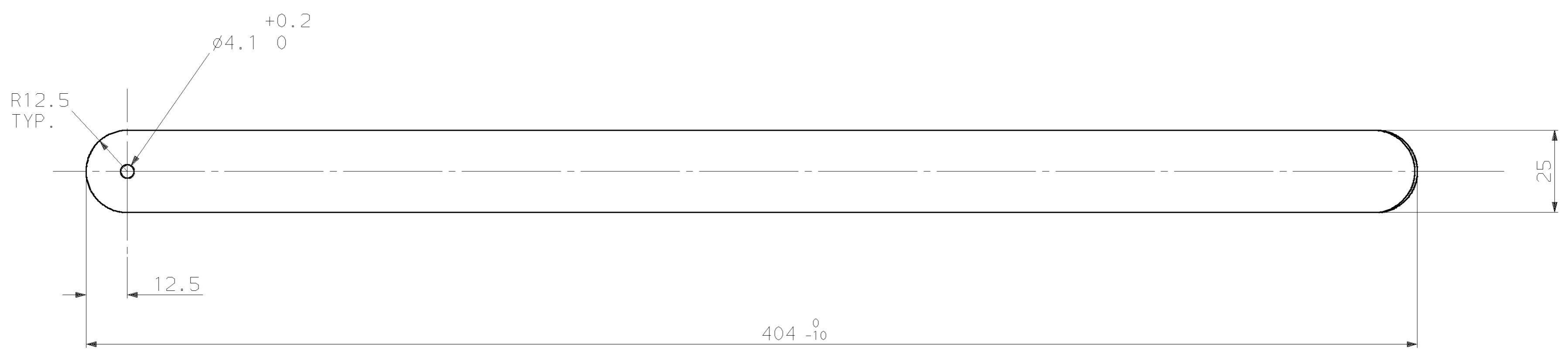
SECTION A-A  
SCALE 2:1

NOTE:  
1) SUPPORT TO MOVE FREELY AFTER RIVETING  
2) FERRULE TO BE ADHERED TO SUPPORT WITH SUITABLE ADHESIVE



© CROWN COPYRIGHT

APPROVED J. CLARK							MATERIAL SEE SPECIFICATION UK/SC/5168	TOLERANCES NONE	DIMENSIONS IN MILLIMETRES	CONTRACTOR A1-8954	CLASSIFICATION
CHECKED DRT							FINISH SEE SPECIFICATION UK/SC/5168	UNLESS OTHERWISE STATED	ORIGINAL SCALE	DEFENCE CLOTHING IPT (DLO CAVERSFIELD)	CONTRACTORS DRAWING NO.
DRAWN AH	2 1	26-07-05 14-10-92	CS 2334				CERTIFIED G.DAVIES	APPROVED FOR INSPECTION D.BLACKBURN	REFERENCE No A/S 2525-7	TITLE FRAME ASSEMBLY, RUCKSACK, SHORT	DRAWING NO. A1/8954
	ISSUE	DATE	MOD NO.	ISSUE	DATE	MOD NO.				NSN 8465-99-978-9223	SHEET No 1 OF 1



© CROWN COPYRIGHT

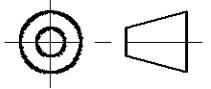
APPROVED							MATERIAL	TOLERANCES	CONTRACTOR	CLASSIFICATION
J. CLARK							ALUMINIUM ALLOY 3mm THICK TO BS EN 573-3 EN AW-6082 T6	±1 UNLESS OTHERWISE STATED	A2-8955	CONTRACTORS DRG.No.
CHECKED							FINISH	DIMENSIONS IN MILLIMETRES	DEFENCE CLOTHING IPT (DLO CAVERSFIELD)	DRG.No. <b>A2/8955</b>
DRT							NONE	ORIGINAL SCALE 1:1	TITLE SUPPORT, SHORT	
DRAWN	2	26-07-05	CS 2334				CERTIFIED	REFERENCE No	NSN *	SHEET No 1 OF 1
AH	1	14-10-92		ISSUE	DATE	MOD No	G.DAVIES	APP'D FOR INSPECTION D.BLACKBURN		

CLASSIFICATION

DRAWING PRODUCED TO BS.8888 AND ASSOCIATED STANDARDS  
 ALL BURRS & SHARP EDGES TO BE REMOVED

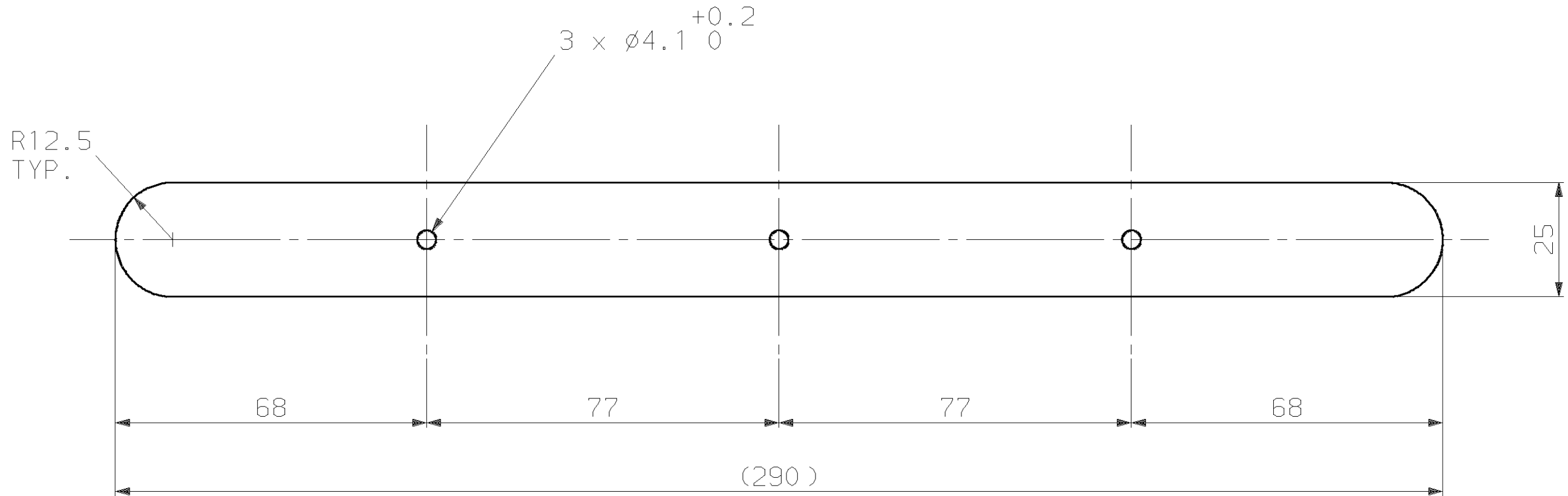
DO NOT SCALE

3RD. ANGLE PROJECTION



USED ON  
 A1/8951  
 A1/8954

CAD DRAWING NOT TO BE CHANGED MANUALLY



© CROWN COPYRIGHT

APPROVED				MATERIAL	TOLERANCES	CONTRACTOR	CLASSIFICATION
J. CLARK				ALUMINIUM ALLOY 3mm THICK TO BS EN 573-3 EN AW-6082 T6	$\pm 0.5$ UNLESS OTHERWISE STATED		
CHECKED				FINISH	DIMENSIONS IN mm	A3-8953	CONTRACTORS DRG.No.
DRT				NONE	ORIGINAL SCALE 1:1	DEFENCE CLOTHING IPT (DLO CAVERSFIELD)	
DRAWN	2	26-07-05	CS 2333	CERTIFIED	REFERENCE No	TITLE	DRG.No.
AH	1	14-10-92		G.DAVIES	A/S 2525-7	STAY	A3/8953
	ISSUE	DATE	MOD No	APP'D FOR INSPECTION		NSN *	SHEET
				D.BLACKBURN			No 1 OF 1