

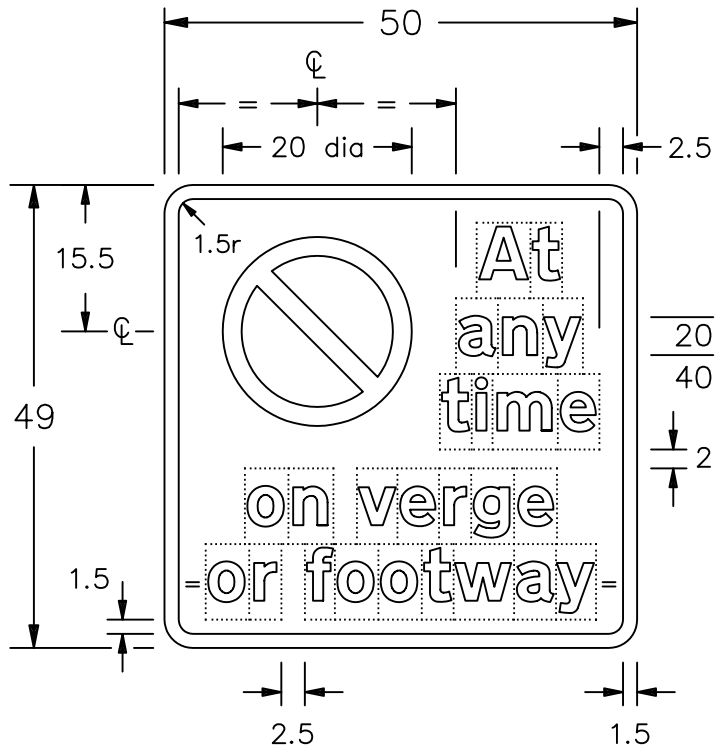
Drawing No.  
P 637.1

Related Drawing  
P 636

Before using this drawing, confirm that it has not been superseded.

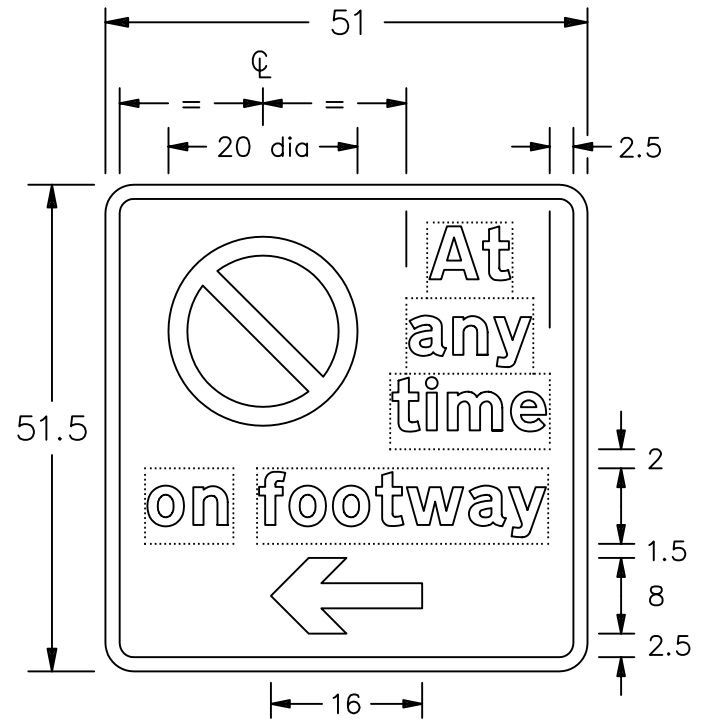
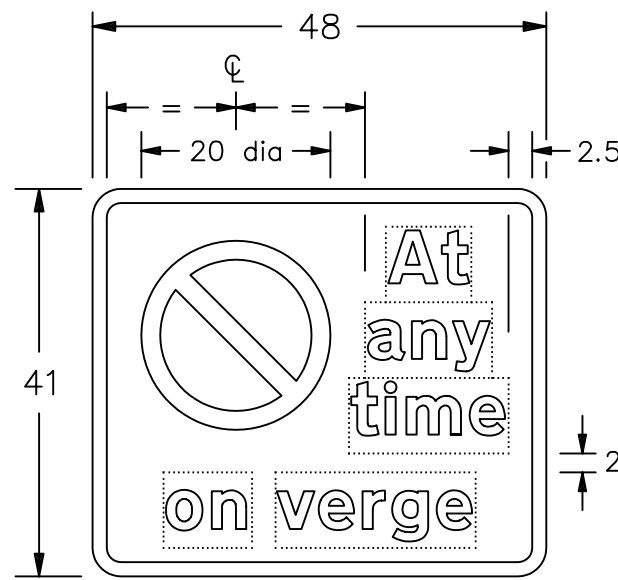
© CROWN COPYRIGHT

- NOTES: 1. The legend is from the Transport Heavy alphabet at the x-heights shown.
2. The roundel is proportional to the one shown on drawing P 636.
3. The tile outlines do not form part of the signs.
4. COLOURS : Background ----- YELLOW  
Legends, Arrow & Border ---- BLACK  
Roundel & Bar ----- RED  
Roundel background ----- BLUE
5. DIMENSIONS : x-heights are in millimetres, all other dimensions are in stroke widths. (4sw = x-ht)



$\frac{20}{40}$  min max x-ht

VARIANTS



P637x1

<p><b>Department for Transport</b></p>	<p>Title: Regulatory Signs NO WAITING AT ANY TIME ON VERGE OR FOOTWAY</p>	<p>Issue: A: 20.7.94</p>	<p>Date: S.P.</p>	<p>Drawn by:</p>	<p>Dimensions: SEE NOTE 5</p>	<p>Drawing No. P 637.1</p>
		<p>B: 2.8.95</p>	<p>C: 18.12.03</p>	<p>Approved by: R.M.</p>		